

When it becomes necessary to replace parts on SUZUKI MOTORCYCLES, always use SUZUKI GENUINE PARTS which have passed a strict inspection which guarantees quality and performance.

This parts catalogue covers the list of all service parts for SUZUKI GSX-R1100WP, GSX-R1100WR, GSX-R1100WS, GSX-R1100WT, GSX-R1100WV, GSX-R1100WV.

INSTRUCTIONS FOR QUOTING THE CATALOGUE

1. DIMENSIONS

Dimensions of the parts in this catalogue are indicated in unit millimeters

2. ABBREVIATIONS

Abbreviations used in this catalogue are as follows

AR	: As required	NT	: Number of teeth
ASSY	: Assembly	OPT	: Optional
E.No	: Engine number	OS	: Over size
F.No.	: Frame number	STD	: Standard
d	: Diameter of material	T	: Thickness
ID	: Inside diameter	US	: Under size
OD	: Outside diameter	W	: Width

L	: Length
LH	: Left hand side
RH	: Right hand side
~100045	: Up to F.No. JS1GU75A-100045
100046~	: From F.No. JS1GU75A-100046

$\frac{12}{1} \times \frac{34}{1} \times \frac{5.6}{1}$ Figures in the description column show the dimensions of parts.
ID OD T(or W, L)

3. INNER PARTS OF ASSEMBLY

Part name with a dot (.) in front as shown in the description column indicates the component of the assembly also available individually

4. MODIFICATION NOTICE

A parts bulletin will be sent to you on all occasions when changes in parts occur, including interchangeable modifications between new parts and old ones

5. NOTE

- 5-1. There are some different parts from those of production models among spare parts for the administrative reasons and common use of them with other models.
- 5-2. In respect of rubber hoses and vinyl tubes, please be sure to use them by cutting off according to the length mentioned on parts catalogue or what is actually required on the vehicle
- 5-3. Note that the drawings on the illustration page are for ready reference of spare parts number, not to be used as an assembly manual. When assembling, use "SUZUKI SERVICE MANUAL".

6. SERIAL FRAME NUMBER

GSX-R1100WP	: JS1GU75A P2100001~
GSX-R1100WR	: JS1GU75A R2100001~
GSX-R1100WS	: JS1GU75A S2100001~
GSX-R1100WT	: JS1GU75A T2100001~
GSX-R1100WV	: JS1GU75A V2100001~
GSX-R1100WV	: JS1GU75A W2100001~

Quand il devient nécessaire de remplacer des pièces sur SUZUKI MOTOCYCLETTES toujours utiliser les PIÈCES D'ORIGINE SUZUKI qui ont été soumises à des contrôles de qualité sévères leur garantissant qualité et performance impeccables.

Ce catalogue de pièces détachées couvre la liste de toutes les pièces de rechange pour SUZUKI GSX-R1100WP, GSX-R1100WR, GSX-R1100WS, GSX-R1100WT, GSX-R1100WV, GSX-R1100WW.

INSTRUCTIONS POUR UTILISER LE CATALOGUE

1. DIMENSIONS

Les dimensions des pièces dans ce catalogue sont indiquées en unités de millimètres.

2. ABREVIATIONS

Les abréviations utilisées dans ce catalogue sont les suivantes

AR	: Comme requis	NT	: Nombre de dents
ASSY	: Assemblage	OPT	: Sur option
E No.	: Numéro du moteur	OS	: Sur-dimensionné
F. No.	: Numéro du châssis	T	: Entaillé
ID	: Diamètre intérieur	US	: Sous-dimensionné
OD	: Diamètre extérieur	W	: Largeur
L	: Longueur		
LH	: Côté gauche		
RH	: Côté droit		

~100045 : Jusqu'à F.No. JS1GU75A-100045

100046~ : Depuis F.No. JS1GU75A-100045

12 x 34 x 5.6..... Les chiffres dans la colonne

| | | remarques montrent les dimensions

ID OD T(or W, L) des pièces comme suit.

3. PIÈCES INTERNES DE L'ASSEMBLAGE

Les numéros de pièces qui comportent un point () avant la désignation de pièce détachée indique la pièce interne se rapportant à l'assemblage

4. AVIS DE MODIFICATION

Un bulletin de pièces détachées vous sera envoyé à tout moment opportun quand des changements de pièces ont lieu, y compris les modifications de pièces interchangeables entre les nouvelles et anciennes pièces

5. A NOTER

5-1 Il existe certaines pièces différentes de celles de rechange pour les modèles de production vu des raisons administratives et dont l'usage est commun avec celles d'autres modèles

5-2 Concernant les durites en caoutchouc et les tuyaux en vinyle, ne pas manœuvrer de les couper à la bonne longueur comme indiqué dans le catalogue des pièces détachées ou selon ce qui est utile pour le véhicule affecté

5-3 Noter que les dessins à la page d'illustration servent à titre de référence pour les numéros de pièces détachées, et non pas comme référence pour l'assemblage. Pour cette dernière opération, se reporter au "MANUEL D'ENTRETIEN SUZUKI".

6. NUMERO DE SERIE DU CADRE

GSX-R1100WP : JS1GU75A P2100001~

GSX-R1100WR : JS1GU75A R2100001~

GSX-R1100WS : JS1GU75A S2100001~

GSX-R1100WT : JS1GU75A T2100001~

GSX-R1100WV : JS1GU75A V2100001~

GSX-R1100WW : JS1GU75A W2100001~

COLOR CHART
TABLEAU DES COULEURS

COLOR NO. NO DE COULEUR	COLOR DESCRIPTION DESCRIPTION DE COULEUR	COLOR NO. NO DE COULEUR	COLOR DESCRIPTION DESCRIPTION DE COULEUR
A55	0JW,1LE,0FP	D6E	33J,1TU,12Z,Y75
A6D	1NG,1LE,14B	E9B	33J,24K
A6B	33J,1TY	E9P	212,0JW
A7E	33J,17U,1HU	E9S	33J,0JW
A7B	1TY,1HU,13L,17U	F0H	0JW,33J,212
A7J	0JW,1LE,14B,1NG,24V	F0J	212,33J
A7K	0JW,24V,14B	G2E	33J,35M
A7L	0JW,24V,14B,1LE	G2P	33J,22U
C3B	17U,1TU	04V	Y0P,0JW
C3R	1TU,33J	G6L	04Y,Y0P
C3T	0JW,1LE,1WE	G6M	17U,22U
C3U	33J,20B,1AP	G6N	0JW,Y0P,04Y
C3W	33J,20B,1AP,17U	G6P	33J,22U,17U
C8K	17U,33J,1TU	G6R	1TK,213,0AT
D4B	0JW,1LE,Y09	G6S	34R,019,0AT
D4H	0JW,1LE,Y09,12V	G6T	0JW,Y0P,04Y,1UJ
D5Y	20H,1TY,33J	G6U	33J,22U,17U,019
D5Z	12Z,1TU,33J	G6V	04Y,Y0P,1UJ
D6A	33J,1TY,20H,1TM	G6W	17U,22U,019
D6B	33J,1TU,12Z,1TC	K1V	Y0N,0JW
D6C	0JW,1LE,Y09,Y71	K2G	34S,Y0N
D6D	33J,1TY,20H,Y74	K2H	Y2U,Y6B

COLOR CHART
TABLEAU DES COULEURS

COLOR NO. NO DE COULEUR	COLOR DESCRIPTION DESCRIPTION DE COULEUR	COLOR NO. NO DE COULEUR	COLOR DESCRIPTION DESCRIPTION DE COULEUR
K2J	Y2U,Y6C	212	CANDY ARCTIC BLUE
K2K	34S,Y0N,12V	213	MARBLE NIGHT ROUGE PURPLE
K2L	24K,33J,20H	275	ORANGE GRADATION 1100
K2M	0JW,Y0N,34S	276	YELLOW GRADATION 1100
K2N	35W,33J,20H,24K	277	ORANGE GRADATION 85XR
K2P	0JW,Y0N,34S,12V	278	YELLOW GRADATION 85XR
M1B	0JW,1LE	0AT	SILVER
Y0N	CDV, DUSK BLUE	0FP	TRADITIONAL SILVER METALLIC
Y0P	CANDY MOON SHADOW BLUE	0JW	PEARL STILL WHITE
Y09	OPAL GREEN METALLIC	00B	MARBLE RIO ORANGE
Y2U	TAPE CARBON NO.1	019	BLACK
Y6B	HAIR LINE CHROME RED (TAPE)	04Y	SPACE BLUE METALLIC
Y6C	HAIR LINE CHROME ORANGE	1AP	PRINCE PURPLE(TAPE)
Y71	CLARITY GREEN	1DR	MARBLE ATOM PURPLE
Y72	BLUE / GREEN GRADATION	1HU	DEEP PURPLE METALLIC
Y74	CLARITY PURPLE	1KX	PEARL STILL WHITE (0JW)
Y75	CLARITY MAROON	1LE	PEARL SUZUKI MEDIUM BLUE
Y76	BLUE / WHITE DECAL	1LX	PRL STILL WHITE (0JW)
Y77	BLACK / RED DECAL	1MJ	SPECTRUM BLUE M/T
Y78	BLACK / PURPLE DECAL	1NG	TYRIAN PINK NO.2
Y82	BLUE / GREEN GRADATION	1NX	PRL NOVELTY BLACK (33J)
Y83	PURPLE / PINK GRADATION	1TC	PHANTOM PINK METALLIC

COLOR CHART
TABLEAU DES COULEURS

COLOR NO. NO DE COULEUR	COLOR DESCRIPTION DESCRIPTION DE COULEUR	COLOR NO. NO DE COULEUR	COLOR DESCRIPTION DESCRIPTION DE COULEUR
1TK	LUMINOUS ORANGE NO.2 (TAPE)	22U	CANDY ACADEMY MAROON
1TU	LIGHT PURPLE METALLIC	24K	LIGHT CHARCOAL METALLIC
1TM	TAKE PURPLE	24V	PRUSSIAN BLUE METALLIC
1TY	ROUGE RED NO.2	291	BLACK (SEMI-GLOSS)
1UD	R1100 GRADATION (PURPLE/SILVER)	300	33J, 17U
1UJ	QUEST SILVER METALLIC	33J	PEARL NOVELTY BLACK
1UL	PURE RED	34R	CANDY STARLIT BLUE METALLIC
1UX	PRL MEDIUM BLUE (1LE)	34S	VIOLENT BLUE
1VE	METALLIC PLATINA LAVENDER	35W	CHARCOAL GRAY METALLIC NO.2
1WJ	BLUE & WHITE GRADATION	5FM	DYNAMIC BLUE
1WK	SILVER & BLACK GRADATION	5PK	BLACK
12V	CANDY TEAL BLUENISH GREEN	5BR	BLACK
12Y	URBAN LIGHT GRAY METALLIC	84N	019, 291
12Z	URBAN MIDIAN GRAY METALLIC		
12R	TIGHT SILVER METALLIC		
13L	BRIGHT SILVER METALLIC		
14B	FANTASTIC COPPER GOLD METALLIC		
17U	GRAY METALLIC		
2VX	PEARL NOVELTY BLACK (33J)		
200	CHARCOAL GRAY METALLIC		
20H	WARM SILVER METALLIC		
21J	SHERBET SILVER METALLIC		

MILLIMETER → INCH CONVERSION CHART
TABLEAU DE CONVERSION DE MILLIMETRES → POUCES

	0	1	2	3	4	5	6	7	8	9
00	.000	.039	.079	.118	.157	.197	.236	.276	.315	.354
10	.394	.433	.472	.512	.551	.591	.630	.669	.709	.748
20	.787	.827	.866	.906	.945	.984	1.024	1.063	1.102	1.142
30	1.181	1.220	1.260	1.299	1.339	1.378	1.417	1.457	1.496	1.535
40	1.575	1.614	1.654	1.693	1.732	1.772	1.811	1.850	1.890	1.929
50	1.969	2.008	2.047	2.087	2.126	2.165	2.205	2.244	2.283	2.323
60	2.362	2.402	2.441	2.480	2.520	2.559	2.598	2.638	2.677	2.717
70	2.756	2.795	2.835	2.874	2.913	2.953	2.992	3.031	3.071	3.110
80	3.150	3.189	3.228	3.268	3.307	3.346	3.386	3.425	3.465	3.504
90	3.543	3.583	3.622	3.661	3.701	3.740	3.780	3.819	3.858	3.898

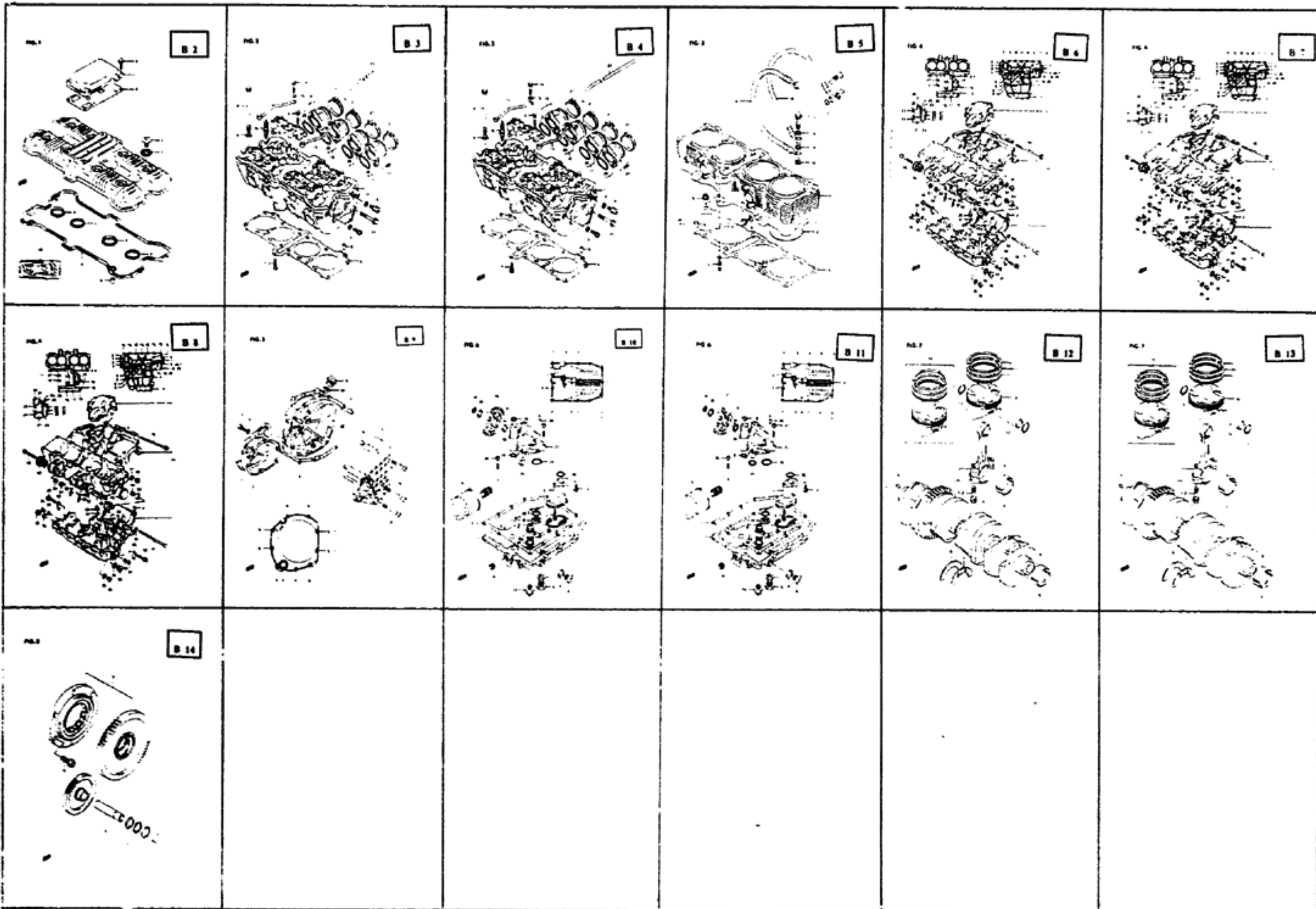
How to read
Mode de lecture

	0	1	2	3	4
00
10
20	0.906	...
30

23 millimeters equal 0.906 inch
23 millimètres égaient 0.906 pouce

Contents are subject to change without notice or obligation.

Les matières traitées sont susceptibles d'être modifiées sans préavis obligation de notre part.



AIR CLEANER..... C-11	COILING BODY..... I-04	FRAME COVER..... H-02	FUEL TANK..... G-09	MUFFLER..... D-02	REAR MASTER CYLINDER [L-01]	STEERING DAMPER..... K-05
ALTERNATOR..... E-11	CRANKCASE COVER..... B-09	FRAME..... G-02	GEAR SHIFTING..... E-08	OIL COOLER..... D-04	REAR SWINGING ARM.. L-02	STEERING STEM..... K-04
BATTERY..... F-02	CRANKCASE..... B-04	FRONT BRAKE HOSE... K-10	HANDLE LEVER..... H-16	OIL PAN - OIL PUMP. B-10	REAR WHEEL..... L-06	TAIL LAMP..... F-10
CAV CHAIN..... C-04	CRANKSHAFT..... B-12	FRONT CALIPERS..... K-08	HANDLE SWITCH..... F-13	OPTIONAL..... L-23	SEAT..... J-05	TRANSMISSION..... E-06
CAV SHAFT - VALVE.. C-02	CYLINDER HEAD COVER B-02	FRONT DAMPER..... K-02	HANDLEBAR..... H-14	RADIATOR HOSE..... D-07	SIGNAL GENERATOR... E-15	URNSIGNAL LAMP... F-09
CARBURETOR FITTINGS C-09	CYLINDER HEAD..... B-03	FRONT FENDER..... H-13	HEADLAMP..... F-07	RADIATOR..... D-06	SPEEDOMETER..... F-04	WATER PUMP..... D-05
CARBURETOR..... C-05	CYLINDER..... B-05	FRONT MASTER CYLINDER K-12	INSTALLATION PARTS. I-08	REAR CALIPER..... L-09	STAND..... G-04	WIRING HARNESS..... F-11
CLUTCH MASTER CYLINDER K-14	ELECTRICAL..... F-03	FRONT WHEEL..... K-04	INSTALLATION PARTS. J-02	REAR CUSHION LEVER. L-04	STARTER CLUTCH..... B-14	
CLUTCH..... E-02	FOOTREST..... G-05	FUEL COCK..... G-14	LABEL..... J-04	REAR FENDER..... L-02	STARTING MOTOR..... E-18	

FIG. 1

B 2

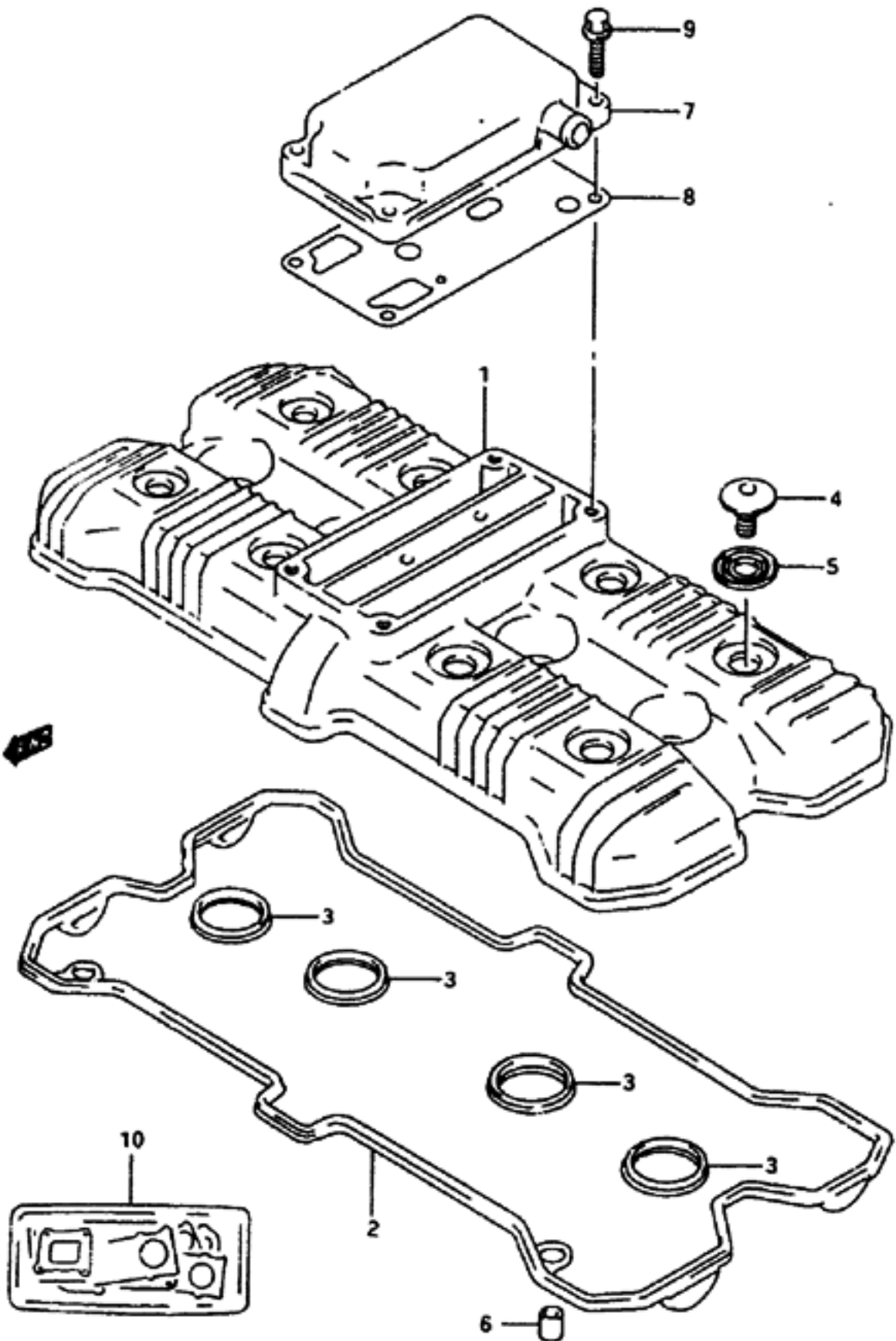


FIG. 1 (3- 2) CYLINDER HEAD COVER

REF. NO.	PART NO.	DESCRIPTION	QTY	REMARKS
1-1	11171-17E00	COVER, CYLINDER HEAD	1	MODEL P/R
1-2	11171-17E11	COVER, CYLINDER HEAD	1	MODEL S/T/V/W
2	11173-17E00	GASKET, HEAD COVER NO. 1	1	
3	11178-17E00	GASKET, HEAD COVER NO. 2	4	
4	09108-07009	BOLT (L:5.5)	8	
5	09161-11008	WASHER	8	
6	09208-08001	PIN	2	
7-1	11176-26D00	COVER, BREATHER	1	MODEL P/R
7-2	11176-31E00	COVER, BREATHER	1	MODEL S/T/V/W
8	11177-17E00	GASKET, BREATHER COVER	1	
9-1	01517-06257	BOLT	4	MODEL P
9-2	01550-06253	BOLT	4	MODEL R/S/T/V/W
10-1	11403-46812	GASKET SET	1	MODEL P/R/S/T
10-2	11403-46813	GASKET SET	1	MODEL V/W

GSX-R1100WV E28

1

AIR CLEANER.....	C-11	COILING BODY.....	I-04	FRAME COVER.....	H-02	FUEL TANK.....	G-09	MUFFLER.....	D-02	REAR MASTER CYLINDER	L-11	STEERING DAMPER.....	K-05
ALTERNATOR.....	E-11	CRANKCASE COVER.....	B-09	FRAME.....	G-02	GEAR SHIFTING.....	E-08	OIL COOLER.....	D-04	REAR SWINGING ARM..	L-02	STEERING STEM.....	K-04
BATTERY.....	F-02	CRANKCASE.....	B-04	FRONT BRAKE HOSE...	K-10	HANDLE LEVER.....	H-16	OIL PAN - OIL PUMP..	B-10	REAR WHEEL.....	L-04	TAIL LAMP.....	F-10
CAN CHAIN.....	C-04	CRANKSHAFT.....	B-12	FRONT CALIPERS.....	K-08	HANDLE SWITCH.....	F-15	OPTIONAL.....	L-13	SEAT.....	J-05	TRANSMISSION.....	E-04
CAN SHAFT - VALVE..	C-02	CYLINDER HEAD COVER	B-02	FRONT DAMPER.....	K-02	HANDLEBAR.....	H-14	RADIATOR HOSE.....	D-07	SIGNAL GENERATOR...	E-15	TURN SIGNAL LAMP....	F-09
CARBURETOR FITTINGS	C-09	CYLINDER HEAD.....	B-03	FRONT FENDER.....	H-13	HEADLAMP.....	F-07	RADIATOR.....	D-04	SPEEDOMETER.....	F-04	WATER PUMP.....	D-05
CARBURETOR.....	C-05	CYLINDER.....	B-05	FRONT MASTER CYLIND	K-12	INSTALLATION PARTS..	I-08	REAR CALIPER.....	L-09	STAND.....	G-04	WIRING HARNESS.....	F-11
CLUTCH MASTER CYLIN	K-14	ELECTRICAL.....	F-03	FRONT WHEEL.....	K-06	INSTALLATION PARTS..	J-02	REAR CUSHION LEVER..	L-04	STARTER CLUTCH.....	B-14		
CLUTCH.....	E-02	FOOTREST.....	G-05	FUEL COCK.....	G-14	LABEL.....	J-04	REAR FENDER.....	I-02	STARTING MOTOR.....	F-10		

FIG. 2

B 3

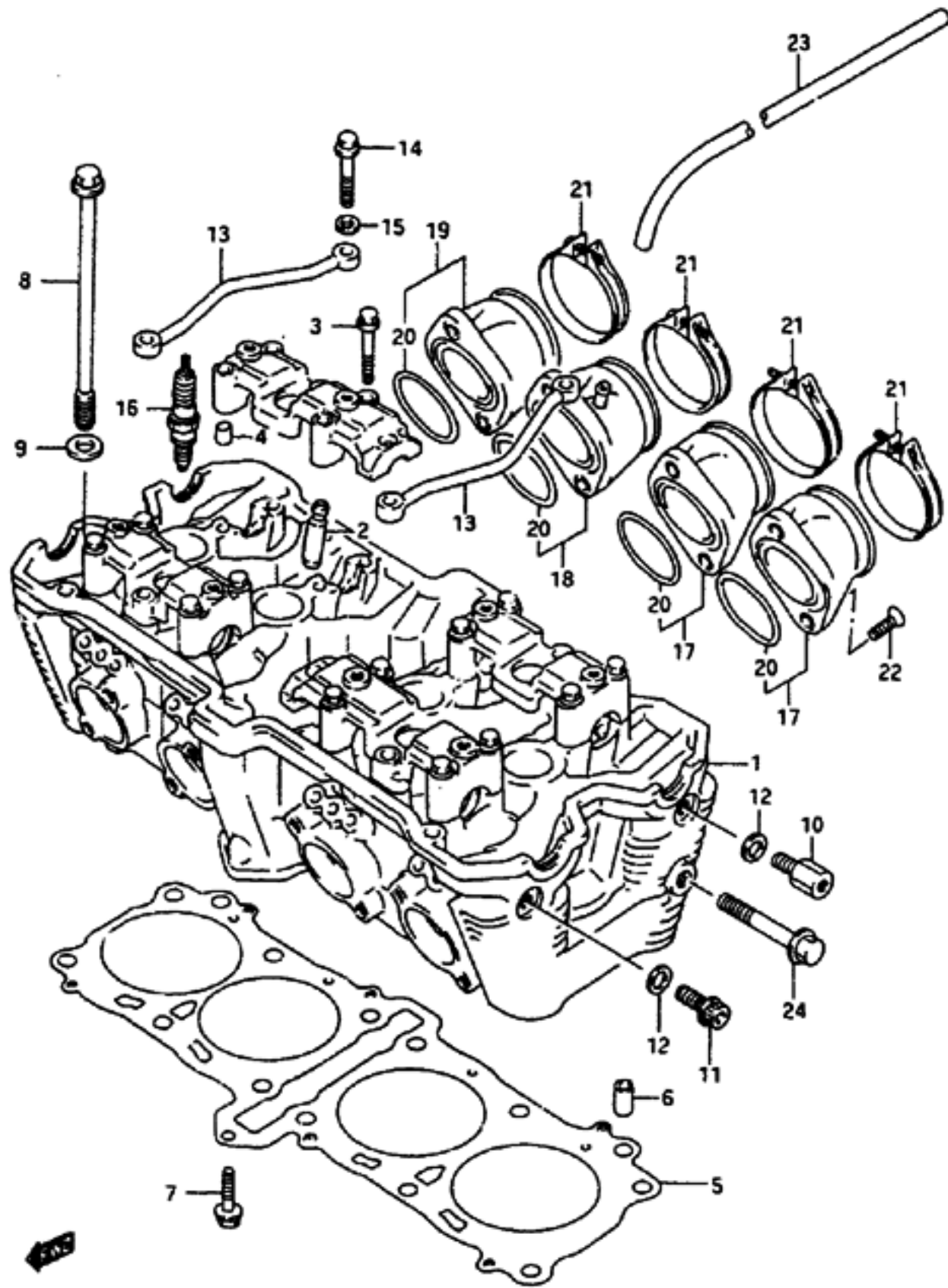


FIG. 2 (B-3) CYLINDER HEAD

REF. NO.	PART NO.	DESCRIPTION	Q'TY	REMARKS
1-1	11100-46E00	HEAD ASSY. CYLINDER	1	MODEL P/R
1-2	11100-46E20	HEAD ASSY. CYLINDER	1	MODEL S/T/V/W
2	11115-17E70	.GUIDE, VALVE	16	
3-1	09103-06013	.BOLT (8X45)	16	MODEL P
3-2	09103-08165	.BOLT (8X45)	16	MODEL R/S/T/V/W
4	09206-08001	.PIN	8	
5	11141-46E01	GASKET, CYLINDER HEAD	1	
6	04211-11189	PIN	2	
7-1	01517-06305	BOLT	1	MODEL P
7-2	01550-06303	BOLT	1	MODEL R/S/T/V/W
8	09103-10276	BOLT (10X175)	12	--09103-10270
9	09160-10082	WASHER	12	
10-1	09119-08079	BOLT, OIL GALLERY IN	2	MODEL P/R
10-2	07120-08163	BOLT, OIL GALLERY IN	2	MODEL S/T/V/W
11-1	07120-08165	BOLT, OIL GALLERY EX	2	MODEL P
11-2	07120-08163	BOLT, OIL GALLERY EX	2	MODEL R/S/T/V/W
12	09168-08015	GASKET	4	
13	11131-17E00	PIPE, OIL	2	
14	09103-06026	BOLT (8X39)	4	
15-1	08322-21064	WASHER	4	MODEL P
15-2	08322-01063	WASHER	4	MODEL R/S/T/V/W
16-1	09482-00458	SPARK PLUG (NGK, CR9E)	4	
16-2	09482-00459	SPARK PLUG (DENSO, U27ESR-N)	4	
16-3	09482-00456	SPARK PLUG (NGK, CR8E)	4	OPT
16-4	09482-00460	SPARK PLUG (NGK, CR10E)	4	OPT
16-5	09482-00457	SPARK PLUG (DENSO, U24ESR-N)	4	OPT
16-6	09482-00461	SPARK PLUG (DENSO, U31ESR-N)	4	OPT
17-1	13101-46E01	PIPE, INTAKE NO. 1, 2	2	MODEL P/R/S/T
17-2	13101-46E11	PIPE, INTAKE NO. 1, 2	2	MODEL V/W
18-1	13103-46E01	PIPE, INTAKE NO. 3	1	MODEL P/R/S/T
18-2	13102-46E11	PIPE, INTAKE NO. 3	1	MODEL V/W
19-1	13104-46E01	PIPE, INTAKE NO. 4	1	MODEL P/R/S/T
19-2	13102-46E11	PIPE, INTAKE NO. 4	1	MODEL V/W
20	09280-46006	.O RING (O:2.4, ID:47X42)	4	

GSX-R1100WW E28

AIR CLEANER.....	C-11	COILING BODY.....	I-04	FRAME COVER.....	H-02	FUEL TANK.....	G-09	MUFFLER.....	D-02	REAR MASTER CYLINDER	L-11	STEERING DAMPER.....	K-05
ALTERNATOR.....	E-11	CRANKCASE COVER.....	B-09	FRAME.....	G-02	GEAR SHIFTING.....	E-08	OIL COOLER.....	D-04	REAR SWINGING ARM..	L-02	STEERING STEM.....	K-04
BATTERY.....	F-02	CRANKCASE.....	B-04	FRONT BRAKE HOSE...	K-10	HANDLE LEVER.....	H-16	OIL PAN - OIL PUMP..	B-10	REAR WHEEL.....	L-06	TAIL LAMP.....	F-10
CAM CHAIN.....	C-04	CRANKSHAFT.....	B-12	FRONT CALIPERS.....	K-08	HANDLE SWITCH.....	F-13	OPTIONAL.....	L-13	SEAT.....	J-05	TRANSMISSION.....	E-04
CAM SHAFT - VALVE..	C-02	CYLINDER HEAD COVER	B-02	FRONT DAMPER.....	K-02	HANDLEBAR.....	H-14	RADIATOR HOSE.....	D-07	SIGNAL GENERATOR...	E-15	TURNSIGNAL LAMP...	F-09
CARBURETOR FITTINGS	C-09	CYLINDER HEAD.....	B-03	FRONT FENDER.....	H-13	HEADLAMP.....	F-07	RADIATOR.....	D-06	SPEEDOMETER.....	F-04	WATER PUMP.....	D-05
CARBURETOR.....	C-05	CYLINDER.....	B-05	FRONT MASTER CYLIND	K-12	INSTALLATION PARTS..	I-08	REAR CALIPER.....	L-09	STAND.....	G-04	WIRING HARNESS.....	F-11
CLUTCH MASTER CYLIN	K-14	ELECTRICAL.....	F-03	FRONT WHEEL.....	K-06	INSTALLATION PARTS..	J-02	REAR CUSHION LEVER..	L-04	STARTER CLUTCH.....	B-14		
CLUTCH.....	E-02	EXHAUST.....	G-05	FUEL COCK.....	G-14	LABEL.....	J-04	REAR FENDER.....	I-02	STARTING MOTOR.....	E-10		

FIG.2

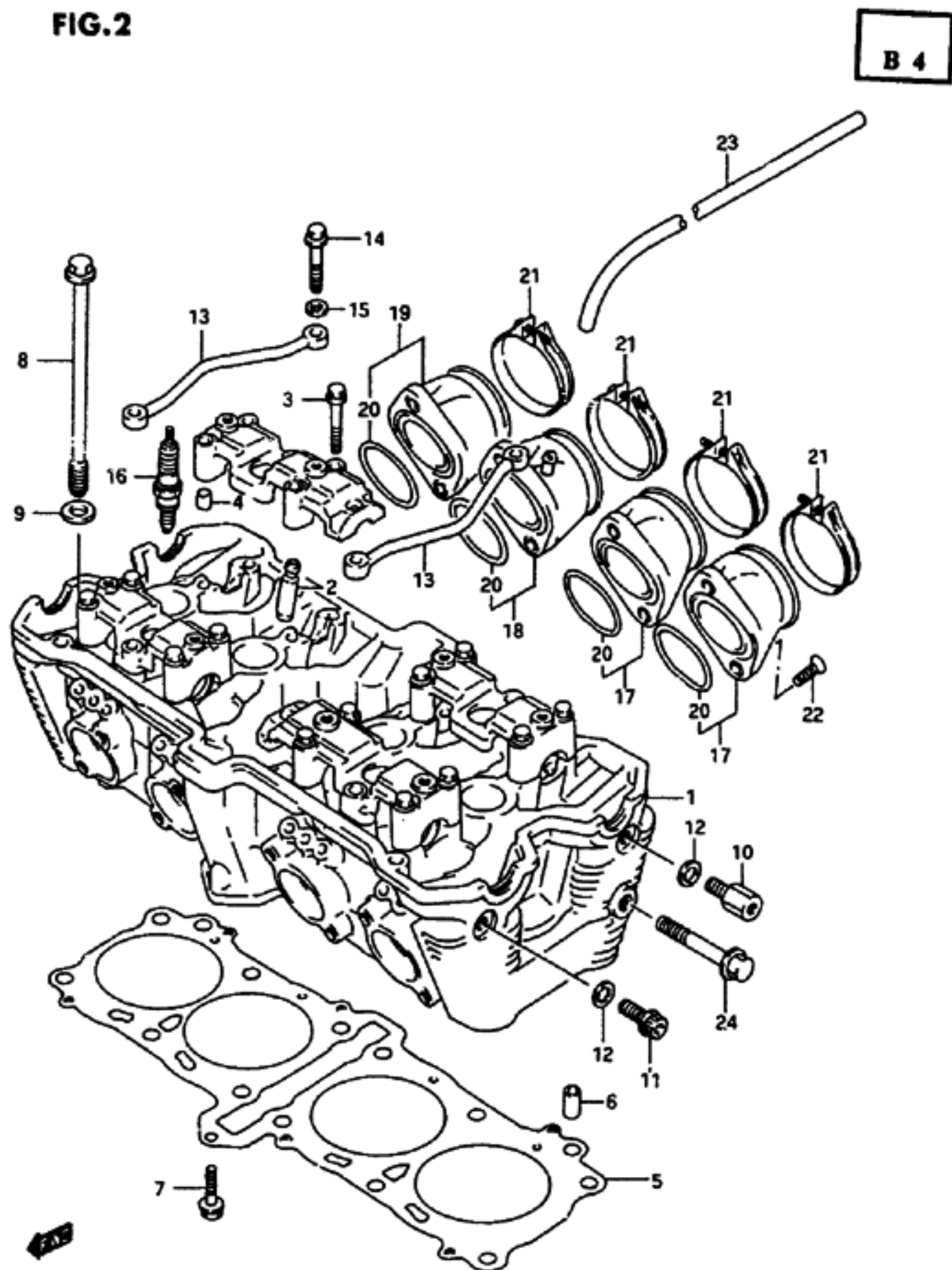


FIG.2 (B- 4) CYLINDER HEAD

REF. NO.	PART NO.	DESCRIPTION	Q'TY	REMARKS
21-1	09402-56208	CLAMP	4	MODEL P/R/S/T
21-2	09402-52208	CLAMP	4	MODEL V/W
22-1	09126-06014	SCREW (6X16)	8	MODEL P/R
22-2	09120-06010	SCREW (6X18)	8	MODEL S/T/V/W
23	09354-50103-600	HOSE, FUEL COOK VACUUM	1	L: 600--180, MODEL P/R/S/T
24	01550-10403	BOLT, ENG MTG HEAD R & L	2	MODEL S/T/V/W

GSX-R1100W E28

AIR CLEANER.....	C-11	COWLING BODY.....	I-04	FRAME COVER.....	H-02	FUEL TANK.....	G-09	MUFFLER.....	D-02	REAR MASTER CYLINDER	L-11	STEERING DAMPER.....	K-05
ALTERNATOR.....	E-11	CRANKCASE COVER.....	B-09	FRAME.....	G-02	GEAR SHIFTING.....	E-08	OIL COOLER.....	D-04	REAR SWINGING ARM..	L-02	STEERING STEM.....	K-04
BATTERY.....	F-02	CRANKCASE.....	B-06	FRONT BRAKE HOSE...	K-10	HANDLE LEVER.....	H-14	OIL PAN - OIL PUMP..	B-10	REAR WHEEL.....	L-06	TAIL LAMP.....	F-10
CAM CHAIN.....	C-04	CRANKSHAFT.....	B-12	FRONT CALIPERS.....	K-05	HANDLE SWITCH.....	F-13	OPTIONAL.....	L-13	SEAT.....	J-05	TRANSMISSION.....	E-06
CAM SHAFT - VALVE..	C-02	CYLINDER HEAD COVER	B-02	FRONT DAMPER.....	K-02	HANDLEBAR.....	H-14	RADIATOR HOSE.....	D-07	SIGNAL GENERATOR...	E-15	TURNSIGNAL LAMP....	F-09
CARBURETOR FITTINGS	C-09	CYLINDER HEAD.....	B-03	FRONT FENDER.....	H-13	HEADLAMP.....	F-07	RADIATOR.....	D-06	SPEEDOMETER.....	F-04	WATER PUMP.....	D-05
CARBURETOR.....	C-05	CYLINDER.....	B-05	FRONT MASTER CYLIND	K-12	INSTALLATION PARTS..	I-08	REAR CALIPER.....	L-09	STAND.....	G-04	WIRING HARNESS.....	F-11
CLUTCH MASTER CYLIN	K-14	ELECTRICAL.....	F-03	FRONT WHEEL.....	K-06	INSTALLATION PARTS..	J-02	REAR CUSHION LEVER..	L-04	STARTER CLUTCH.....	B-14		
CLUTCH.....	F-02	FOOTREST.....	G-05	FUEL COCK.....	G-14	LABEL.....	J-04	REAR FENDER.....	I-02	STARTING MOTOR.....	E-10		

FIG. 3

B 5

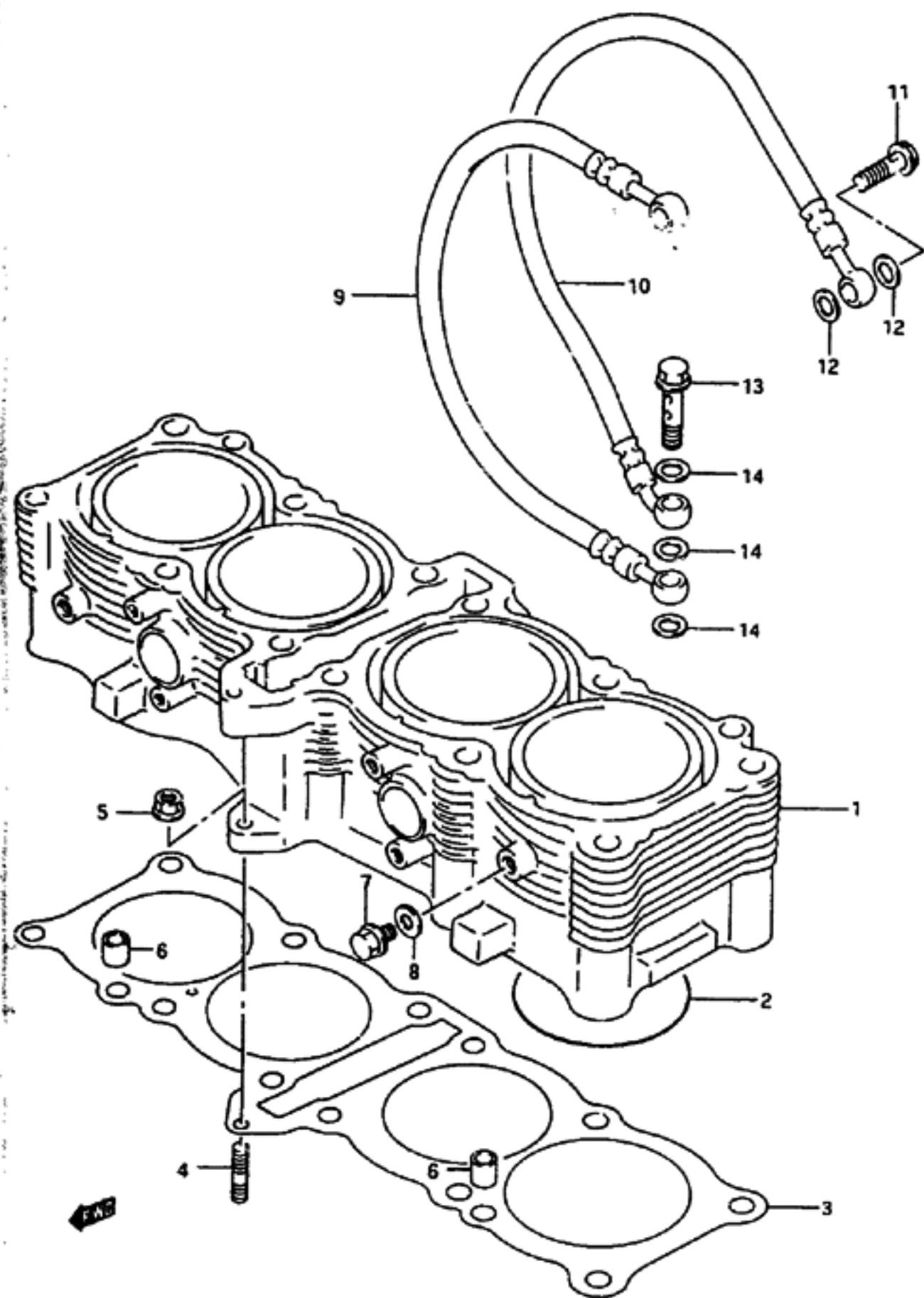


FIG. 3 (B- 5) CYLINDER

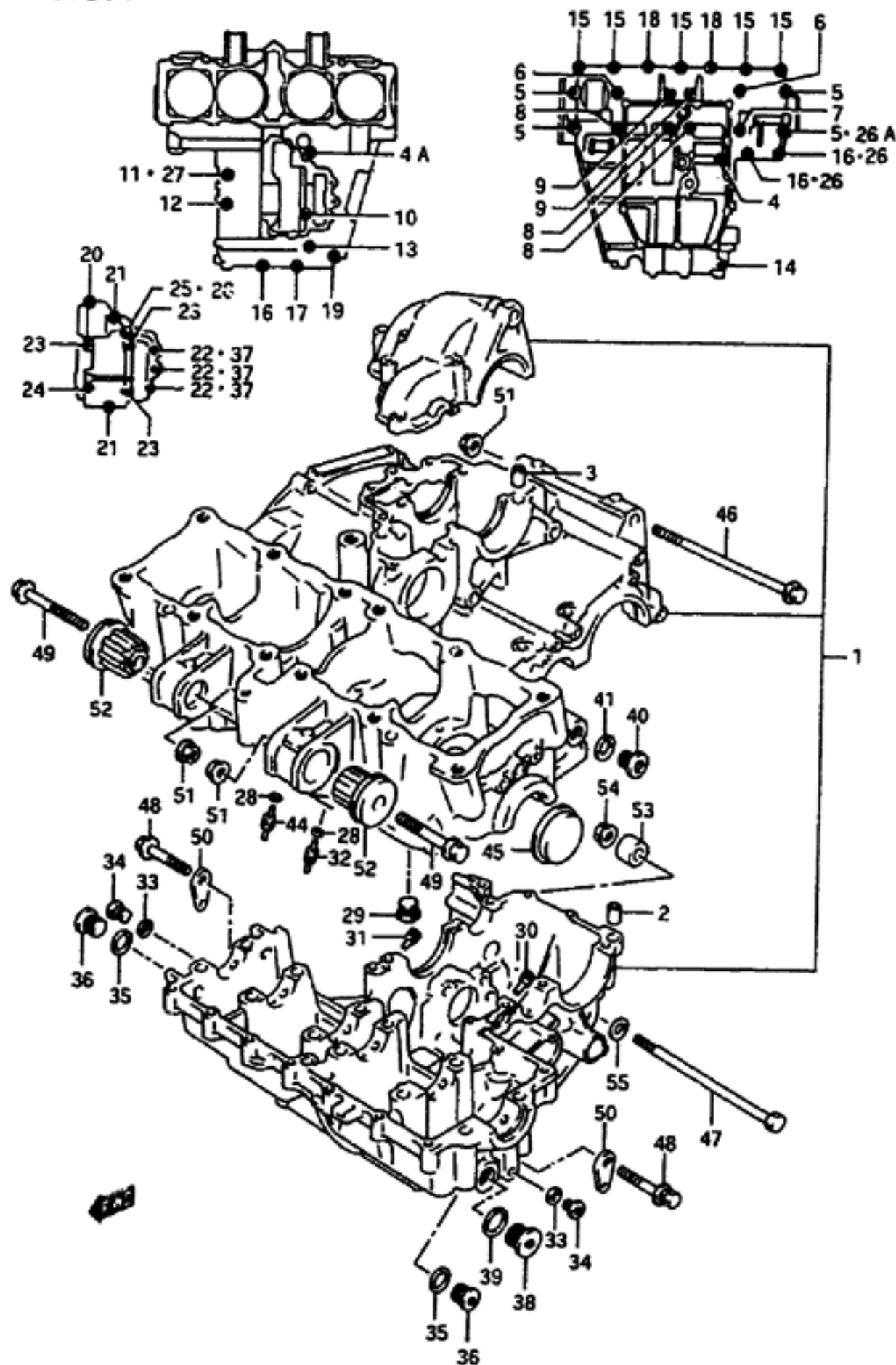
REF. NO.	PART NO.	DESCRIPTION	Q'TY	REMARKS
1-1	11210-46E00	CYLINDER	1	MODEL P/R
1-2	11210-46E01	CYLINDER	1	MODEL S/T/V/W
2	09280-81002	.O RING (D:1.9, ID:79.5)	4	
3	11241-46E01	GASKET, CYLINDER	1	
4-1	01421-06205	STUD BOLT	1	MODEL P/R
4-2	01421-06203	STUD BOLT	1	MODEL S/T/V/W
5-1	08316-16064	NUT	1	MODEL P
5-2	08316-10063	NUT	1	MODEL R/S/T/V/W
6	04211-11189	PIN	2	
7	17415-14300	BOLT, CYLINDER DRAIN	2	MODEL P/R
8	09168-08008	GASKET	2	MODEL P/R
9-1	11281-17E00	HOSE, OIL RH	1	-E. NO. 102584
9-2	11281-17E01	HOSE, OIL RH	1	E. NO. 102585~
10-1	11282-17E00	HOSE, OIL LH	1	-E. NO. 102584
10-2	11282-17E01	HOSE, OIL LH	1	E. NO. 102585~
11	11284-17E00	BOLT, OIL HOSE UNION	2	
12-1	09168-08026	GASKET	4	MODEL P
12-2	09168-08016	GASKET	4	MODEL R/S/T/V/W
13	11285-32C00	BOLT, OIL HOSE UNION	1	
14	09161-10009	GASKET	3	

GSX-R1100WW E28

4

AIR CLEANER.....	C-11	COWLING BODY.....	I-04	FRAME COVER.....	H-02	FUEL TANK.....	G-09	MUFFLER.....	D-02	REAR MASTER CYLINDER	L-11	STEERING DAMPER.....	K-05
ALTERNATOR.....	E-11	CRANKCASE COVER.....	B-09	FRAME.....	G-02	GEAR SHIFTING.....	E-08	OIL COOLER.....	D-04	REAR SWINGING ARM..	L-02	STEERING STEM.....	K-04
BATTERY.....	F-02	CRANKCASE.....	B-06	FRONT BRAKE HOSE...	K-10	HANDLE LEVER.....	H-16	OIL PAN - OIL PUMP..	B-10	REAR WHEEL.....	L-06	TAIL LAMP.....	F-10
CAM CHAIN.....	C-04	CRANKSHAFT.....	B-12	FRONT CALIPERS.....	K-08	HANDLE SWITCH.....	F-13	OPTIONAL.....	L-13	SEAT.....	J-05	TRANSMISSION.....	E-06
CAM SHAFT - VALVE..	C-02	CYLINDER HEAD COVER	B-02	FRONT DAMPER.....	K-02	HANDLEBAR.....	H-14	RADIATOR HOSE.....	D-07	SIGNAL GENERATOR...	E-15	TURN SIGNAL LAMP....	F-09
CARBURETOR FITTINGS	C-09	CYLINDER HEAD.....	B-03	FRONT FENDER.....	H-13	HEADLAMP.....	F-07	RADIATOR.....	D-06	SPEEDOMETER.....	F-04	WATER PUMP.....	D-05
CARBURETOR.....	C-05	CYLINDER.....	B-05	FRONT MASTER CYLIND	K-12	INSTALLATION PARTS..	I-08	REAR CALIPER.....	L-09	STAND.....	G-04	WIRING HARNESS.....	F-11
CLUTCH MASTER CYLIN	K-14	ELECTRICAL.....	F-03	FRONT WHEEL.....	K-06	INSTALLATION PARTS..	J-02	REAR CUSHION LEVER..	L-04	STARTER CLUTCH.....	B-14		
CLUTCH.....	E-02	FOOTREST.....	G-05	FUEL COCK.....	G-14	LABEL.....	J-04	REAR FENDER.....	I-02	STARTING MOTOR.....	E-10		

FIG. 4



B 6

FIG. 4 (B- 6) CRANKCASE

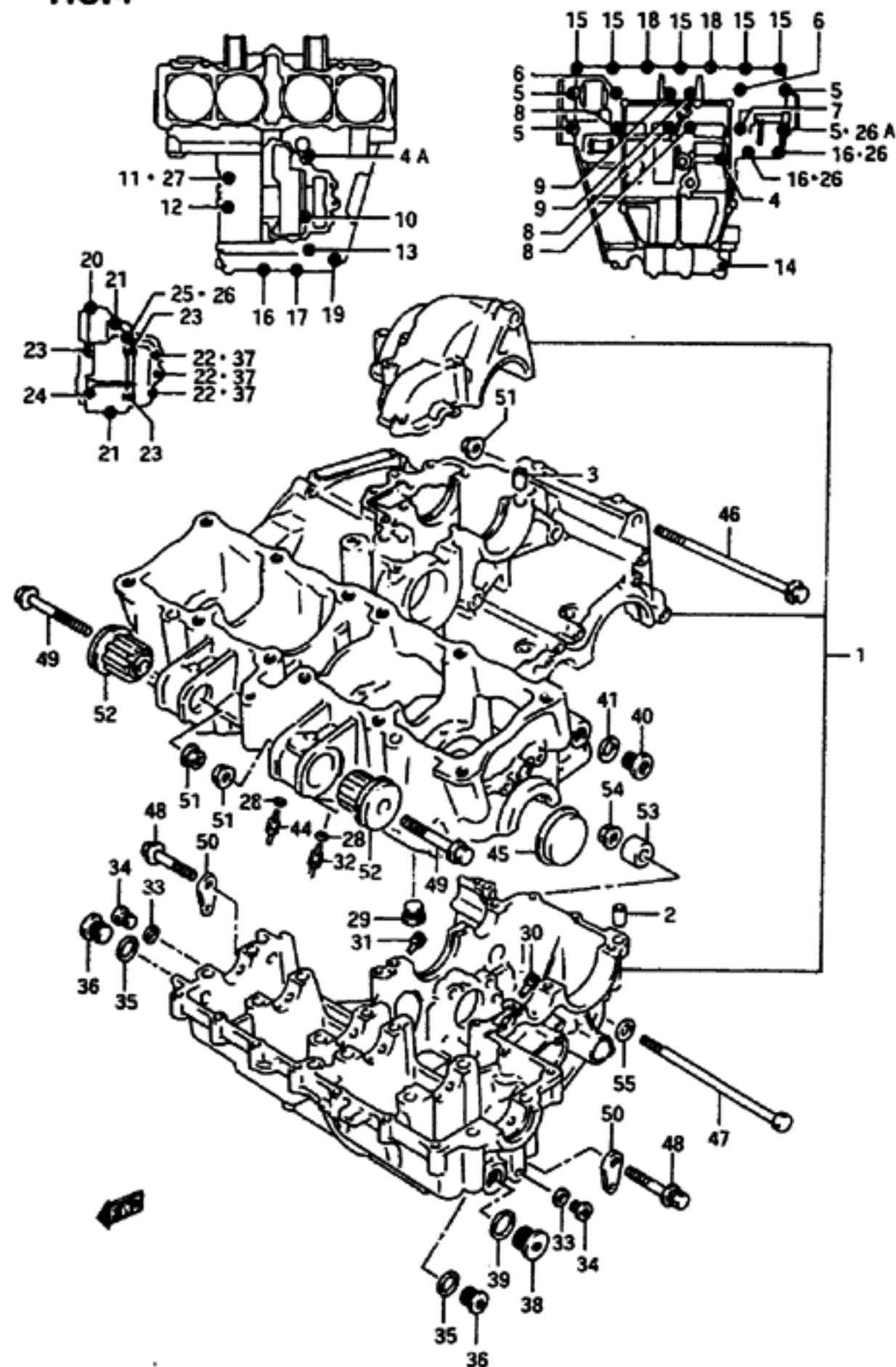
REF. NO.	PART NO.	DESCRIPTION	Q'TY	REMARKS
1-1	11302-46881	CRANKCASE SET	1	MODEL P/R
1-2	11302-46882	CRANKCASE SET	1	MODEL S
1-3	11302-46883	CRANKCASE SET	1	-E. NO 110573
1-4	11302-46884	CRANKCASE SET	1	E. NO. 110574~
2	09206-13004	. PIN	4	
3	04211-09129	. PIN	2	
4	09103-06163	. BOLT (6X105)	1	
4A	09103-06067	. BOLT (6X105)	1	
5	09103-09007	. BOLT (9X80)	4	
6	09103-09008	. BOLT (9X95)	2	
7	09103-09009	. BOLT (9X105)	1	
8	09103-09010	. BOLT (9X115)	3	
9	09106-09001	. BOLT (9X60)	2	
10-1	07110-06758	. BOLT	1	MODEL P
10-2	07130-06753	. BOLT	1	MODEL R/S/T/V/W
11-1	07110-08508	. BOLT	1	MODEL P
11-2	07130-08503	. BOLT	1	MODEL R/S/T/V/W
12-1	07110-08608	. BOLT	1	MODEL P
12-2	07130-08603	. BOLT	1	MODEL R/S/T/V/W
13-1	07130-08808	. BOLT	1	MODEL P
13-2	07130-08803	. BOLT	1	MODEL R/S/T/V/W
14-1	01517-08605	. BOLT	1	MODEL P
14-2	01550-08603	. BOLT	1	MODEL R/S/T/V/W
15-1	01517-06354	. BOLT	5	MODEL P
15-2	01550-06353	. BOLT	5	MODEL R/S/T/V/W
16-1	01517-06404	. BOLT	3	MODEL P
16-2	01550-06403	. BOLT	3	MODEL R/S/T/V/W
17-1	01550-06407	. BOLT	1	MODEL P/R
17-2	01550-06403	. BOLT	1	MODEL S/T/V/W
18-1	01517-06505	. BOLT	2	MODEL P
18-2	01550-06503	. BOLT	2	MODEL R/S/T/V/W
19-1	01517-06655	. BOLT	1	MODEL P
19-2	01550-06653	. BOLT	1	MODEL R/S/T/V/W
20-1	07110-06257	. BOLT	1	MODEL P
20-2	07130-06253	. BOLT	1	MODEL R/S/T/V/W

GSX-R1100NW E28

5

AIR CLEANER.....	C-11	COOLING BODY.....	I-04	FRAME COVER.....	H-02	FUEL TANK.....	G-09	MUFFLER.....	D-02	REAR MASTER CYLINDER	L-11	STEERING DAMPER.....	K-05
ALTERNATOR.....	E-11	CRANKCASE COVER.....	B-09	FRAME.....	G-02	REAR SHIFTING.....	E-08	OIL COOLER.....	D-04	REAR SWINGING ARM..	L-02	STEERING STE.....	K-04
BATTERY.....	F-02	CRANKCASE.....	B-06	FRONT BRAKE HOSE...	K-10	HANDLE LEVER.....	H-16	OIL PAN - OIL PUMP..	B-10	REAR WHEEL.....	L-06	TAIL LAMP.....	F-10
CAM CHAIN.....	C-04	CRANKSHAFT.....	B-12	FRONT CALIPERS.....	K-08	HANDLE SWITCH.....	F-15	OPTIONAL.....	L-13	SEAT.....	J-05	TRANSMISSION.....	E-06
CAM SHAFT - VALVE..	C-02	CYLINDER HEAD COVER	B-02	FRONT DAMPER.....	K-02	HANDLEBAR.....	H-14	RADIATOR HOSE.....	D-07	SIGNAL GENERATOR...	E-15	TURN SIGNAL LAMP...	F-09
CARBURETOR FITTINGS	C-09	CYLINDER HEAD.....	B-03	FRONT FENDER.....	H-13	HEADLAMP.....	F-07	RADIATOR.....	D-04	SPEEDOMETER.....	F-04	WATER PUMP.....	D-05
CARBURETOR.....	C-05	CYLINDER.....	B-05	FRONT MASTER CYLIND	K-12	INSTALLATION PARTS..	I-08	REAR CALIPER.....	L-09	STAND.....	G-04	WIRING HARNESS.....	F-11
CLUTCH MASTER CYLIN	K-14	ELECTRICAL.....	F-03	FRONT WHEEL.....	K-06	INSTALLATION PARTS..	J-02	REAR CUSHION LEVER..	L-04	STARTER CLUTCH.....	B-14		
CLUTCH.....	E-02	FOOTREST.....	G-05	FUEL COCK.....	G-14	LABEL.....	J-04	REAR FENDER.....	I-02	STARTING MOTOR.....	E-10		

FIG. 4



B 7

FIG. 4 (B-7) CRANKCASE

REF. NO.	PART NO.	DESCRIPTION	Q'TY	REMARKS
21-1	07110-06357	. BOLT	2	MODEL P
21-2	07130-06353	. BOLT	2	MODEL R/S/T/V/W
22-1	07110-06408	. BOLT	3	MODEL P
22-2	07130-06403	. BOLT	3	MODEL R/S/T/V/W
23-1	07110-06508	. BOLT	3	MODEL P
23-2	07130-06503	. BOLT	3	MODEL R/S/T/V/W
24-1	07110-06608	. BOLT	1	MODEL P
24-2	07130-06603	. BOLT	1	MODEL R/S/T/V/W
25	09103-06062	. BOLT (6X145)	1	
26	09168-06018	. GASKET	3	
26A	09168-10031	. GASKET	1	MODEL S/T/V/W
27	09168-08016	. GASKET	1	
28	09280-04004	. O RING (D:1.2, ID:4.0)	4	
29	09248-.8002	. PLUG, UPPER	1	
30	09493-24010	. JET, OIL GALLERY MISSION L	1	
31	09493-28012	. JET, OIL GALLERY MISSION R	1	
32-1	09493-80008	. JET, OIL GALLERY PISTON	3	MODEL P/R
32-2	09493-26007	. JET, OIL GALLERY PISTON	3	MODEL S/T/V/W
33-1	09168-10002	. GASKET	2	-E. NO. 110573
33-2	09168-10007	. GASKET	2	E. NO. 110574--
34-1	09248-10007	. PLUG OIL GALLERY	2	-E. NO. 110573
34-2	11315-17E00	. PLUG	2	E. NO. 110574--
35	09168-16002	. GASKET	2	
36	09248-16010	. PLUG, OIL GALLERY	2	
37	09168-06024	. GASKET	3	
38	09248-22004	. PLUG, LH	1	
39	09168-22002	. GASKET	1	
40	09248-14010	. PLUG, OIL GALLERY	1	
41	09168-14002	. GASKET	1	

GSX-R1100NW E28

6

AIR CLEANER.....	C-11	CONVING BODY.....	I-04	FRAME COVER.....	H-02	FUEL TANK.....	G-09	MUFFLER.....	D-02	REAR MASTER CYLINDER	L-11	STEERING DAMPER ...	K-05
ALTERNATOR.....	E-11	CRANKCASE COVER....	B-09	FRAME.....	G-02	GEAR SHIFTING.....	E-08	OIL COOLER.....	D-04	REAR SWINGING ARM..	L-02	STEERING STER.....	K-04
BATTERY.....	F-02	CRANKCASE.....	B-06	FRONT BRAKE HOSE...	K-10	HANDLE LEVER.....	H-16	OIL PAN - OIL PUMP..	B-10	REAR WHEEL.....	L-06	TAIL LAMP.....	F-10
CAM CHAIN.....	C-04	CRANKSHAFT.....	B-12	FRONT CALIPERS.....	K-08	HANDLE SWITCH.....	F-13	OPTIONAL.....	L-23	SEAT.....	J-05	TRANSMISSION.....	E-06
CAM SHAFT - VALVE..	C-02	CYLINDER HEAD COVER	B-02	FRONT DAMPER.....	K-02	HANDLEBAR.....	H-14	RADIATOR HOSE.....	D-07	SIGNAL GENERATOR...	E-15	TURN SIGNAL LAMP...	F-07
CARBURETOR FITTINGS	C-09	CYLINDER HEAD.....	B-03	FRONT FENDER.....	H-13	HEADLAMP.....	F-07	RADIATOR.....	D-04	SPEEDOMETER.....	F-04	WATER PUMP.....	D-05
CARBURETOR.....	C-05	CYLINDER.....	B-05	FRONT MASTER CYLIND	K-12	INSTALLATION PARTS..	I-08	REAR CALIPER.....	L-09	STAND.....	G-04	WIRING HARNESS.....	F-11
CLUTCH MASTER CYLIN	K-14	ELECTRICAL.....	F-03	FRONT WHEEL.....	K-06	INSTALLATION PARTS..	J-02	REAR CUSHION LEVER..	L-04	STARTER CLUTCH.....	B-14		
CLUTCH.....	E-02	FOOTREST.....	G-05	FUEL COCK.....	G-14	LABEL.....	J-04	REAR FENDER.....	I-02	STARTING MOTOR.....	E-10		

FIG. 4

B 8

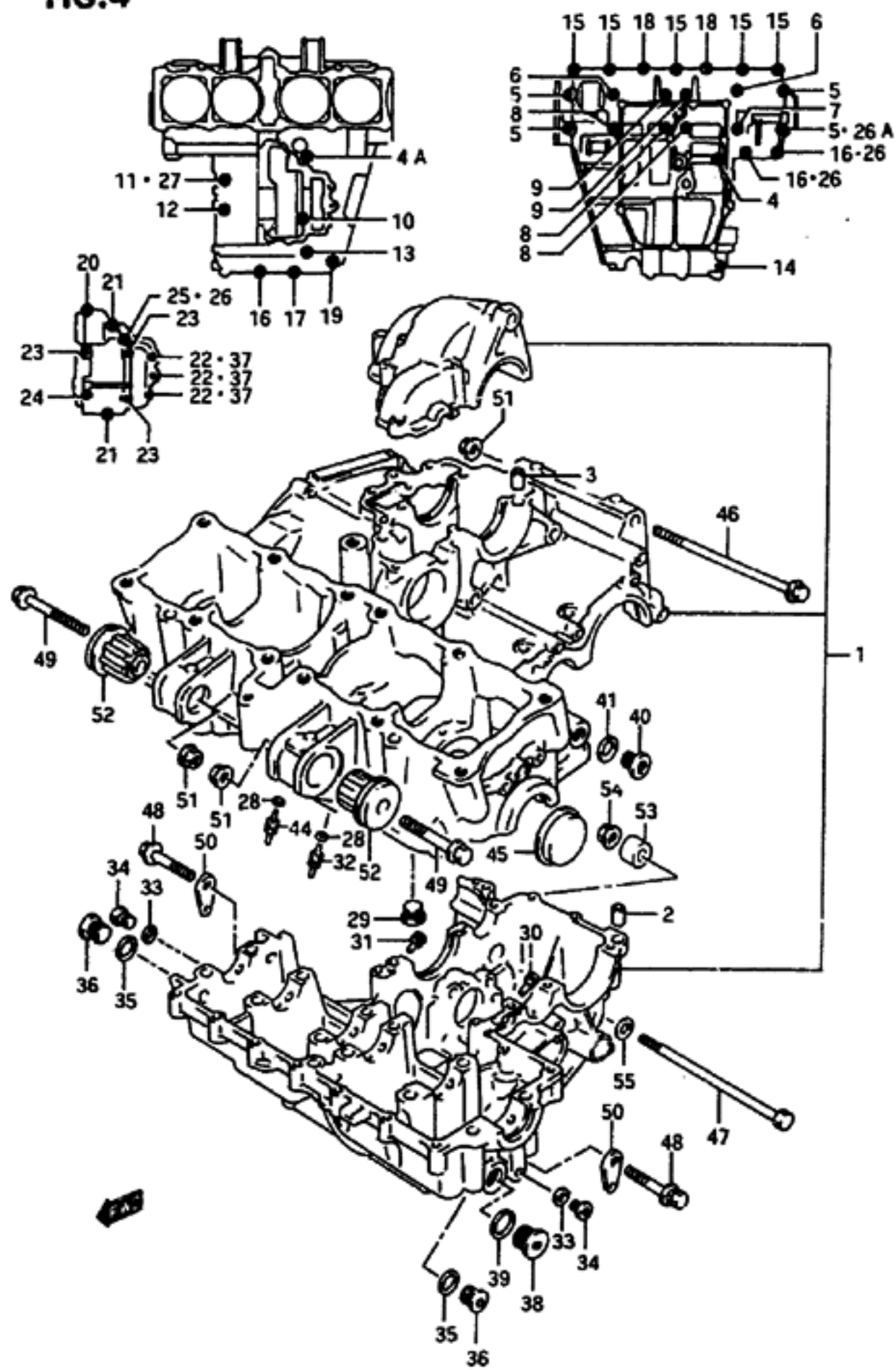


FIG. 4 (B- 8) CRANKCASE

REF. NO.	PART NO.	DESCRIPTION	Q'TY	REMARKS
42	12228-17E00-0D0	. BEARING, THRUST RH (GREEN)	1	SEE ILLUSTRATION ON FIG. 7 (B-12)
43-1	12228-17E00-0A0	. BEARING, THRUST LH (RED)	1	SEE ILLUSTRATION ON FIG. 7 (B-12)
43-2	12228-17E00-0B0	. BEARING, THRUST LH (BLACK)	1	
43-3	12228-17E00-0C0	. BEARING, THRUST LH (BLUE)	1	
43-4	12228-17E00-0D0	. BEARING, THRUST LH (GREEN)	1	
43-5	12228-17E00-0E0	. BEARING, THRUST LH (YELLOW)	1	
43-6	12228-17E00-0F0	. BEARING, THRUST LH (WHITE)	1	
44	09493-26007	. JET, OIL GALLERY PISTON	1	
45	09241-37002	PLUG, CRANKCASE LH	1	
46	09103-10139	BOLT (10X150)	1	
47	09100-12043	BOLT (12X185)	1	
48-1	01987-10558	BOLT	2	MODEL P
48-2	01580-10553	BOLT	2	MODEL R/S/T/V/W
49-1	01517-10558	BOLT	2	MODEL P
49-2	01550-10553	BOLT	2	MODEL R/S/T/V/W
50	11613-33C00	NUT	2	
51	09159-10058	NUT	3	
52	11681-27A00	BUSH	2	
53-1	11611-19B12	SPACER (L:13)	1	MODEL F/R
53-2	11611-17E00	SPACER (L:13)	1	MODEL S/T/V/W
54	08319-31128	NUT	1	
55-1	08322-11128	WASHER	1	MODEL P
55-2	08322-01123	WASHER	1	MODEL R/S/T/V/W

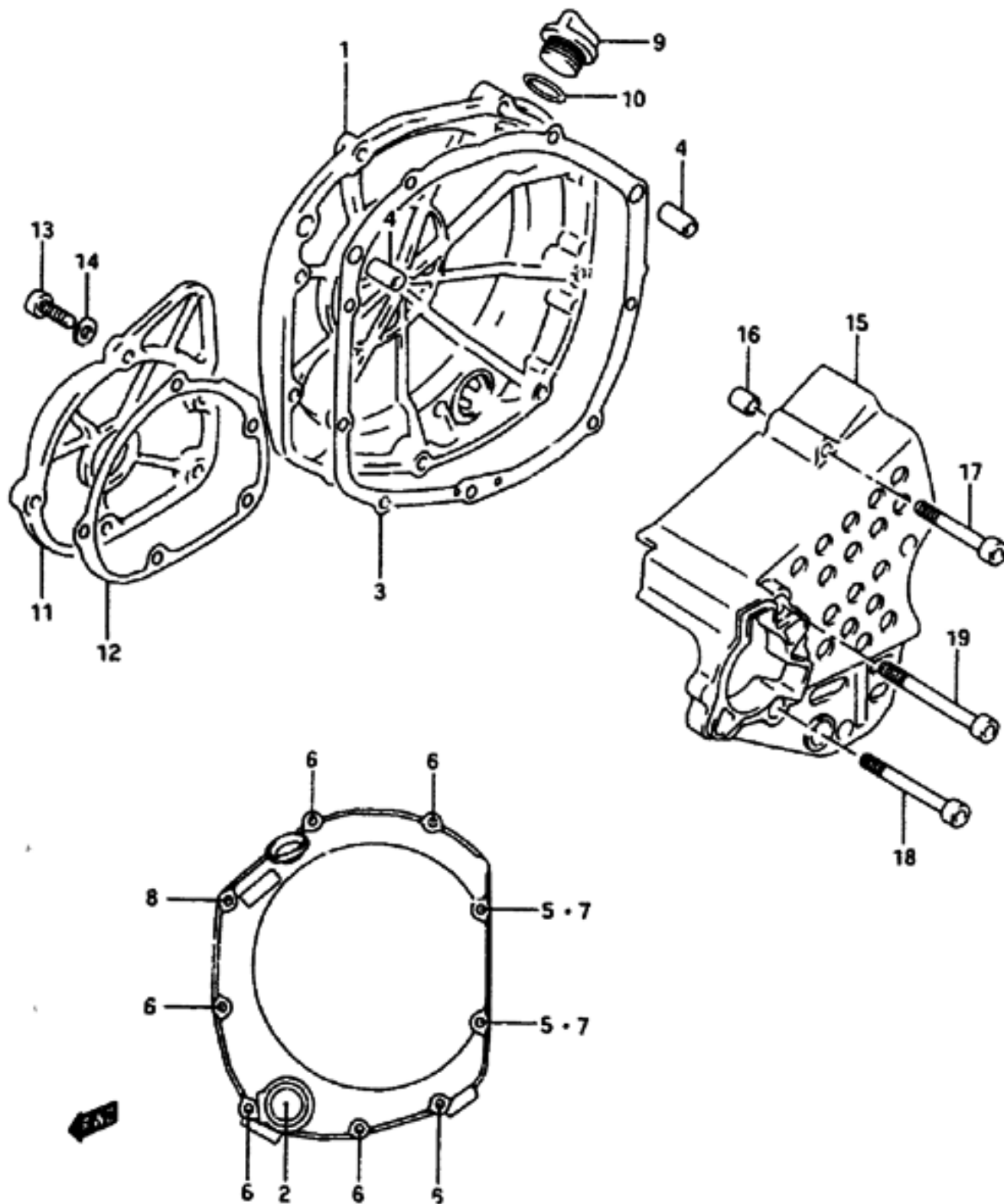
GSX-R1100W E28

AIR CLEANER..... C-11	CONVING BODY..... I-04	FRAME COVER..... H-02	FUEL TANK..... G-09	MUFFLER..... D-02	REAR MASTER CYLINDER L-11	STEERING DAMPER..... K-05
ALTERNATOR..... E-11	CRANKCASE COVER..... B-09	FRAME..... G-02	GEAR SHIFTING..... E-08	OIL COOLER..... D-04	REAR SWINGING ARM... L-02	STEERING STEM..... K-04
BATTERY..... F-02	CRANKCASE..... B-06	FRONT BRAKE HOSE... K-10	HANDLE LEVER..... H-14	OIL PAN - OIL PUMP. B-10	REAR WHEEL..... L-04	TAIL LAMP..... F-06
CAN CHAIN..... C-04	CRANKSHAFT..... B-12	FRONT CALIPERS..... K-08	HANDLE SWITCH..... F-13	OPTIONAL..... L-13	SEAT..... J-05	TRANSMISSION..... E-04
CAN SHAFT - VALVE.. C-02	CYLINDER HEAD COVER B-02	FRONT DAMPER..... K-02	HANDLEBAR..... H-14	RADIATOR HOSE..... D-07	SIGNAL GENERATOR... E-15	TURNSIGNAL LAMP... F-09
CARBURETOR FITTINGS C-09	CYLINDER HEAD..... B-03	FRONT FENDER..... H-13	HEADLAMP..... F-07	RADIATOR..... D-06	SPEEDOMETER..... F-04	WATER PUMP..... D-05
CARBURETOR..... C-05	CYLINDER..... B-05	FRONT MASTER CYLIND K-12	INSTALLATION PARTS. I-08	REAR CALIPER..... L-09	STAND..... G-04	WIRING HARNESS..... F-11
CLUTCH MASTER CYLIN K-14	ELECTRICAL..... F-03	FRONT WHEEL..... K-06	INSTALLATION PARTS. J-02	REAR CUSHION LEVER. L-04	STARTER CLUTCH..... B-14	
CLUTCH..... E-02	FOOTREST..... G-05	FUEL COCK..... G-14	CABLE..... J-04	REAR FENDER..... I-02	STARTING MOTOR..... E-10	

FIG.5

B 9

FIG.5 (B-9) CRANKCASE COVER



REF. NO.	PART NO.	DESCRIPTION	Q'TY	REMARKS
1-1	11340-46E00	COVER, CLUTCH	1	MODEL P/R
1-2	11340-31E01	COVER, CLUTCH	1	MODEL S/T/V/W
2	11971-33210	. LENS, OIL LEVEL	1	
3	11482-17E00	GASKET, CLUTCH COVER	1	
4	04211-09189	PIN	2	
5	09168-06024	GASKET	2	
6-1	07130-06255	BOLT	6	MODEL P
6-2	07130-06253	BOLT	6	MODEL R/S/T/V/W
7-1	07110-06305	BOLT	2	MODEL P
7-2	07130-06303	BOLT	2	MODEL R/S/T/V/W
8-1	07130-06355	BOLT	1	MODEL P
8-2	07130-06353	BOLT	1	MODEL R/S/T/V/W
9-1	09259-20012	PLUG, ENGINE OIL FILLER	1	~E. NO. 111149
9-2	09259-20008	PLUG, ENGINE OIL FILLER	1	E. NO. 111150-
10	09280-17003	O RING (D:3.1, ID:16.8)	1	
11-1	11381-17E00	COVER, SIGNAL GENERATOR	1	MODEL P
11-2	11381-31E00	COVER, SIGNAL GENERATOR	1	MODEL R/S/T/V/W
12	11491-17E01	GASKET, SIGNAL GENERATOR COVER	1	
13-1	09106-06059	BOLT (6X23)	5	MODEL P
13-2	09106-06082	BOLT (6X23)	5	MODEL R/S/T/V/W
14	09168-06024	GASKET	1	
15-1	11361-46E00	COVER, ENGINE SPROCKET	1	MODEL P/R
15-2	11361-46E10	COVER, ENGINE SPROCKET	1	MODEL S/T/V/W
16	04211-09129	PIN	2	
17-1	07110-06555	BOLT	2	MODEL P
17-2	07130-06553	BOLT	2	MODEL R/S/T/V/W
18-1	07110-06705	BOLT	2	MODEL P
18-2	07130-06703	BOLT	2	MODEL R
18-3	07130-06703	BOLT	1	MODEL S/T/V/W
19-1	07110-06805	BOLT	1	MODEL P
19-2	07130-06803	BOLT	1	MODEL R/S/T/V/W

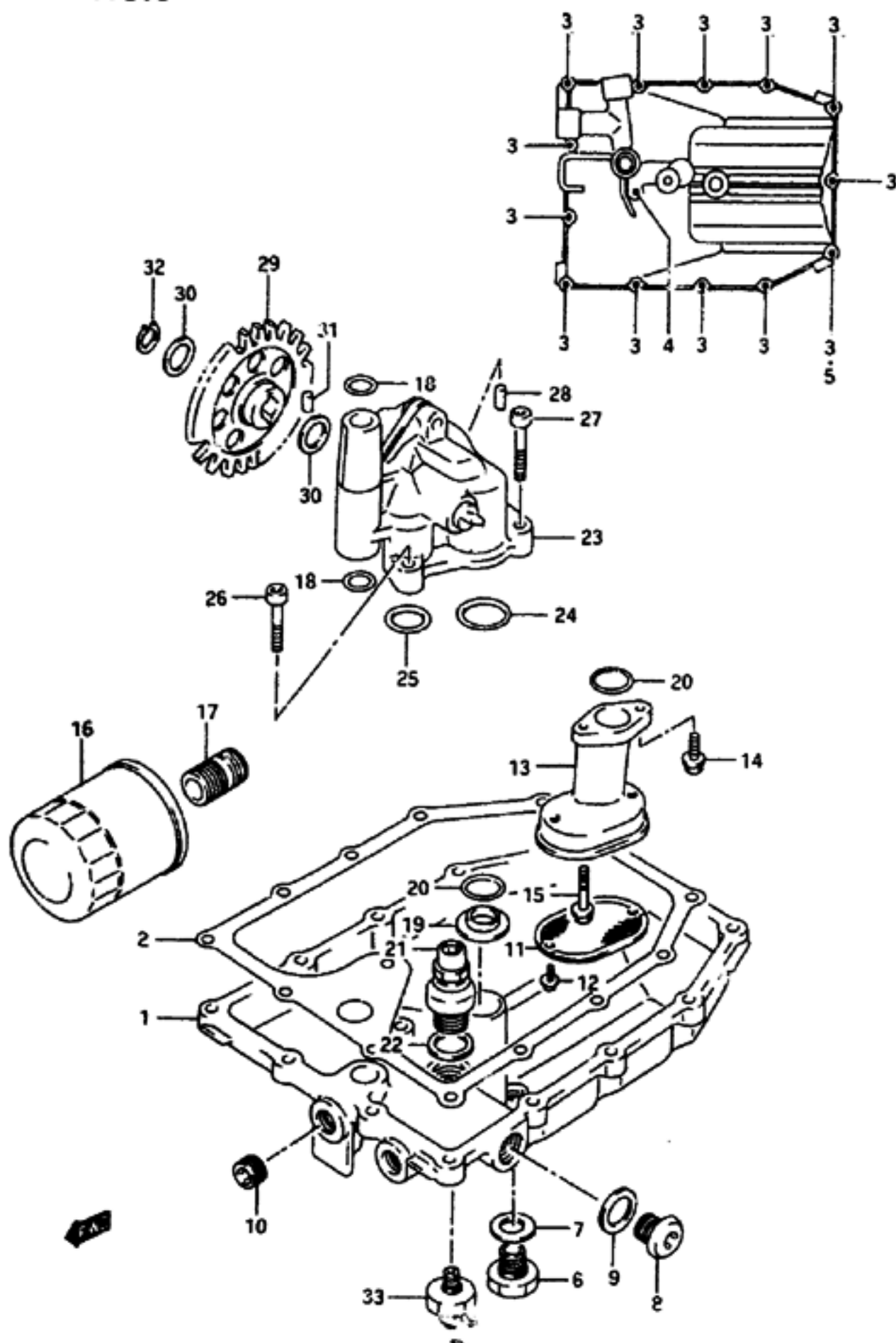
GSX-R1100WV E28

AIR CLEANER.....	C-11	CONRING BODY.....	I-04	FRAME COVER.....	H-02	FUEL TANK.....	G-09	MUFFLER.....	J-02	REAR MASTER CYLINDER	L-11	STEERING DAMPER.....	K-05
ALTERNATOR.....	E-11	CRANKCASE COVER....	B-09	FRAME.....	G-02	GEAR SHIFTING.....	E-08	OIL COOLER.....	D-04	REAR SWINGING ARM..	L-02	STEERING STEM.....	K-04
BATTERY.....	F-02	CRANKCASE.....	B-06	FRONT BRAKE HOSE...	K-10	HANDLE LEVER.....	H-14	OIL PAN - OIL PUMP..	B-10	REAR WHEEL.....	L-06	TAIL LAMP.....	F-10
CAM CHAIN.....	C-04	CRANKSHAFT.....	B-12	FRONT CALIPERS.....	K-08	HANDLE SWITCH.....	F-13	OPTIONAL.....	L-15	SEAT.....	J-05	TRANSMISSION.....	E-06
CAM SHAFT - VALVE..	C-02	CYLINDER HEAD COVER	B-02	FRONT DAMPER.....	K-02	HANDLEBAR.....	H-14	RADIATOR HOSE.....	D-07	SIGNAL GENERATOR...	E-15	TURNSIGNAL LAMP....	F-09
CARBURETOR FITTINGS	C-09	CYLINDER HEAD.....	B-03	FRONT FENDER.....	H-13	HEADLAMP.....	F-07	RADIATOR.....	D-06	SPEEDOMETER.....	F-04	WATER PUMP.....	D-05
CARBURETOR.....	C-05	CYLINDER.....	B-05	FRONT MASTER CYLIND	K-12	INSTALLATION PARTS..	I-08	REAR CALIPER.....	L-09	STAND.....	G-04	WIRING HARNESS....	F-11
CLUTCH MASTER CYLIN	K-14	ELECTRICAL.....	F-03	FRONT WHEEL.....	K-06	INSTALLATION PARTS..	J-02	REAR CUSHION LEVER..	L-04	STARTER CLUTCH.....	B-14		
CLUTCH.....	E-02	FOOTREST.....	G-05	FUEL COCK.....	G-14	LABEL.....	J-04	REAR FENDER.....	L-02	STARTING MOTOR.....	E-10		

FIG. 6

B 10

FIG. 6 (B-10) OIL PAN - OIL PUMP



REF. NO.	PART NO.	DESCRIPTION	Q'TY	REMARKS
1	11511-46E02	PAN, OIL	1	
2	11489-17E01	GASKET, OIL PAN	1	--11489-17E00
3-1	01547-06257	BOLT	13	MODEL P
3-2	01547-06253	BOLT	13	MODEL R/S/T/V/W
4-1	01547-06357	BOLT	1	MODEL P
4-2	01547-06353	BOLT	1	MODEL R/S/T/V/W
5	09168-06024	GASKET	1	
6	09247-14001	PLUG, OIL DRAIN	1	
7	09168-14002	GASKET	1	
8	09248-16010	PLUG, OIL GALLERY	1	
9	09168-16002	GASKET	1	
10	11532-46E00	JET, OIL PAN GALLERY	1	
11	16520-38A00	STRAINER, ENGINE OIL	1	
12-1	02112-75123	BOLT	2	MODEL P/R
12-2	01580-05123	BOLT	2	MODEL S/T/V/W
13	16525-46E01	PROTECTOR, OIL STRAINER	1	
14-1	01517-06206	BOLT	1	MODEL P
14-2	01550-06203	BOLT	1	MODEL R/S/T/V/W
15-1	01517-06556	BOLT	1	MODEL P
15-2	01550-06553	BOLT	1	MODEL R/S/T/V/W
16	16510-34E00	FILTER ASSY, ENGINE OIL	1	-16510-06801
17	16591-06800	UNION, OIL FILTER	1	
18	09280-12012	O RING (D:2.4, ID:11.8)	2	
19	16529-27A01	GASKET, OUTLET	1	
20	09280-18009	O RING (D:3.2, ID:17.8)	2	
21-1	16440-17C00	VALVE ASSY, OIL RELIEF	1	-E. NO. 109413
21-2	16440-17C01	VALVE ASSY, OIL RELIEF	1	E. NO. 109414--
22	09166-16002	GASKET	1	
23	16400-46E00	PUMP ASSY, ENGINE OIL	1	
24	09280-26005	O RING (D:2.4, ID:26.2)	1	
25	09280-18009	O RING (D:3.2, ID:17.8)	1	

GSX-R1100WW E28

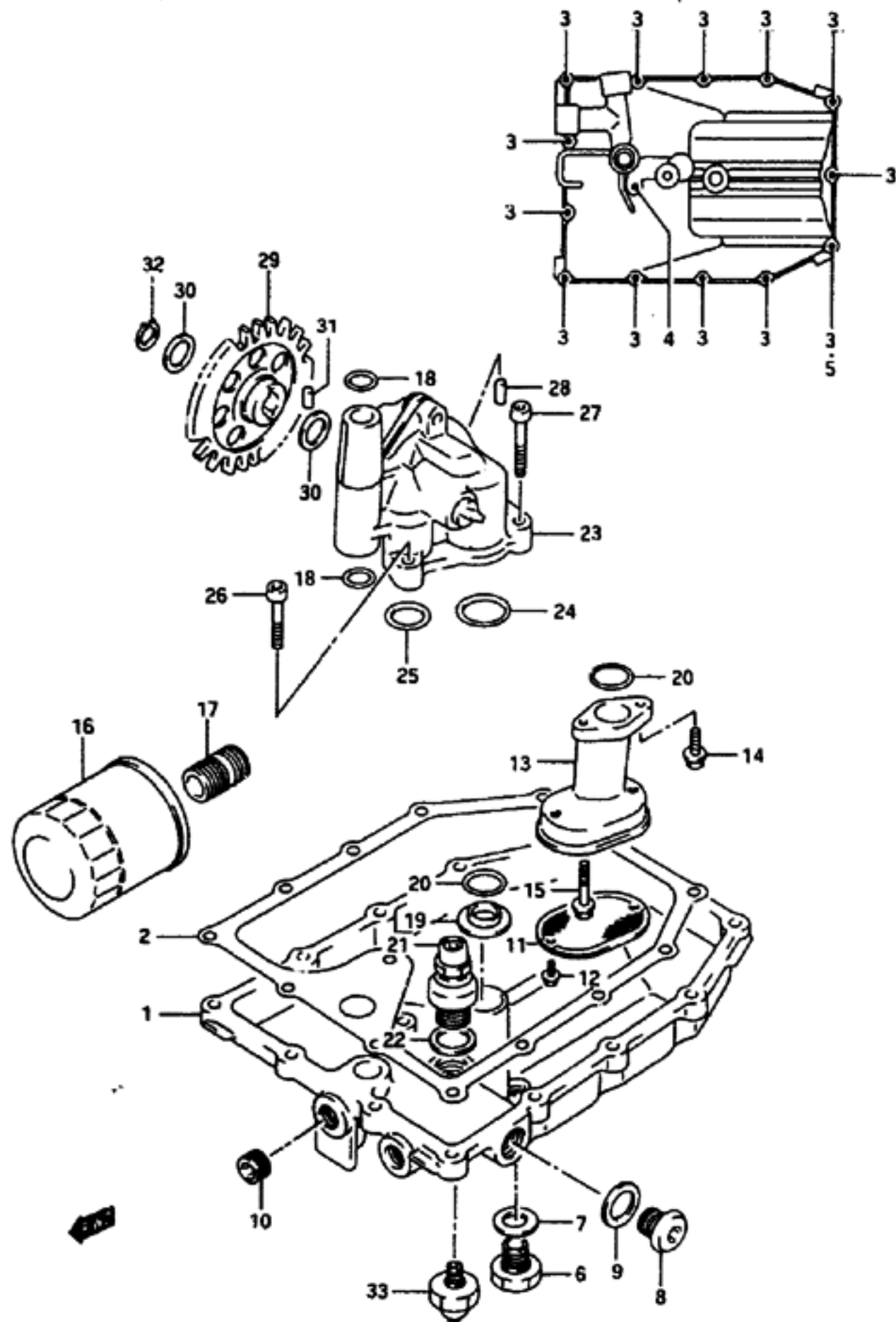
9

AIR CLEANER.....	C-11	COILING BODY.....	I-04	FRAME COVER.....	H-02	FUEL TANK.....	G-09	MUFFLER.....	D-02	REAR MASTER CYLINDER	L-11	STEERING DAMPER.....	K-05
ALTERNATOR.....	E-11	CRANKCASE COVER.....	B-09	FRAME.....	G-02	GEAR SHIFTING.....	E-08	OIL COOLER.....	D-04	REAR SWINGING ARM..	L-02	STEERING STEM.....	K-04
BATTERY.....	F-02	CRANKCASE.....	B-06	FRONT BRAKE HOSE.....	K-10	HANDLE LEVER.....	H-16	OIL PAN - OIL PUMP..	B-10	REAR WHEEL.....	L-06	TAIL LAMP.....	F-10
CAM CHAIN.....	C-04	CRANKSHAFT.....	B-12	FRONT CALIPERS.....	K-08	HANDLE SWITCH.....	F-13	OPTIONAL.....	L-13	SEAT.....	J-05	TRANSMISSION.....	E-06
CAM SHAFT - VALVE..	C-02	CYLINDER HEAD COVER	B-02	FRONT DAMPER.....	K-02	HANDLEBAR.....	H-14	RADIATOR HOSE.....	D-07	SIGNAL GENERATOR...	E-15	TURN SIGNAL LAMP....	F-09
CARBURETOR FITTINGS	C-09	CYLINDER HEAD.....	B-03	FRONT FENDER.....	H-13	HEADLAMP.....	F-07	RADIATOR.....	D-04	SPEEDOMETER.....	F-04	WATER PUMP.....	D-05
CARBURETOR.....	C-05	CYLINDER.....	B-05	FRONT MASTER CYLIND	K-12	INSTALLATION PARTS..	I-08	REAR CALIPER.....	L-09	STAND.....	G-04	WIRING HARNESS.....	F-11
CLUTCH MASTER CYLIN	K-14	ELECTRICAL.....	F-03	FRONT WHEEL.....	K-04	INSTALLATION PARTS..	J-02	REAR CUSHION LEVER..	L-04	STARTER CLUTCH.....	B-14		
CLUTCH.....	E-02	FOOTREST.....	G-05	FUEL COCK.....	G-14	LABEL.....	J-04	REAR FENDER.....	I-02	STARTING MOTOR.....	E-10		

FIG. 6

B 11

FIG. 6 (B-11) OIL PAN - OIL PUMP



REF. NO.	PART NO.	DESCRIPTION	Q'TY	REMARKS
26-1	07110-06307	BOLT	1	MODEL P
26-2	07130-06303	BOLT	1	MODEL R/S/T/V/W
27-1	07110-06357	BOLT	2	MODEL P
27-2	07130-06353	BOLT	2	MODEL R/S/T/V/W
28	04211-09129	PIN	2	
29	16332-19C00	GEAR, OIL PUMP DRIVEN (NT:37)	1	
30	08221-12205	WASHER	2	
31	09261-05006	PIN	1	
32	08331-31126	CIRCLIP	1	
33	37820-33000	SWITCH, OIL PRESSURE	1	

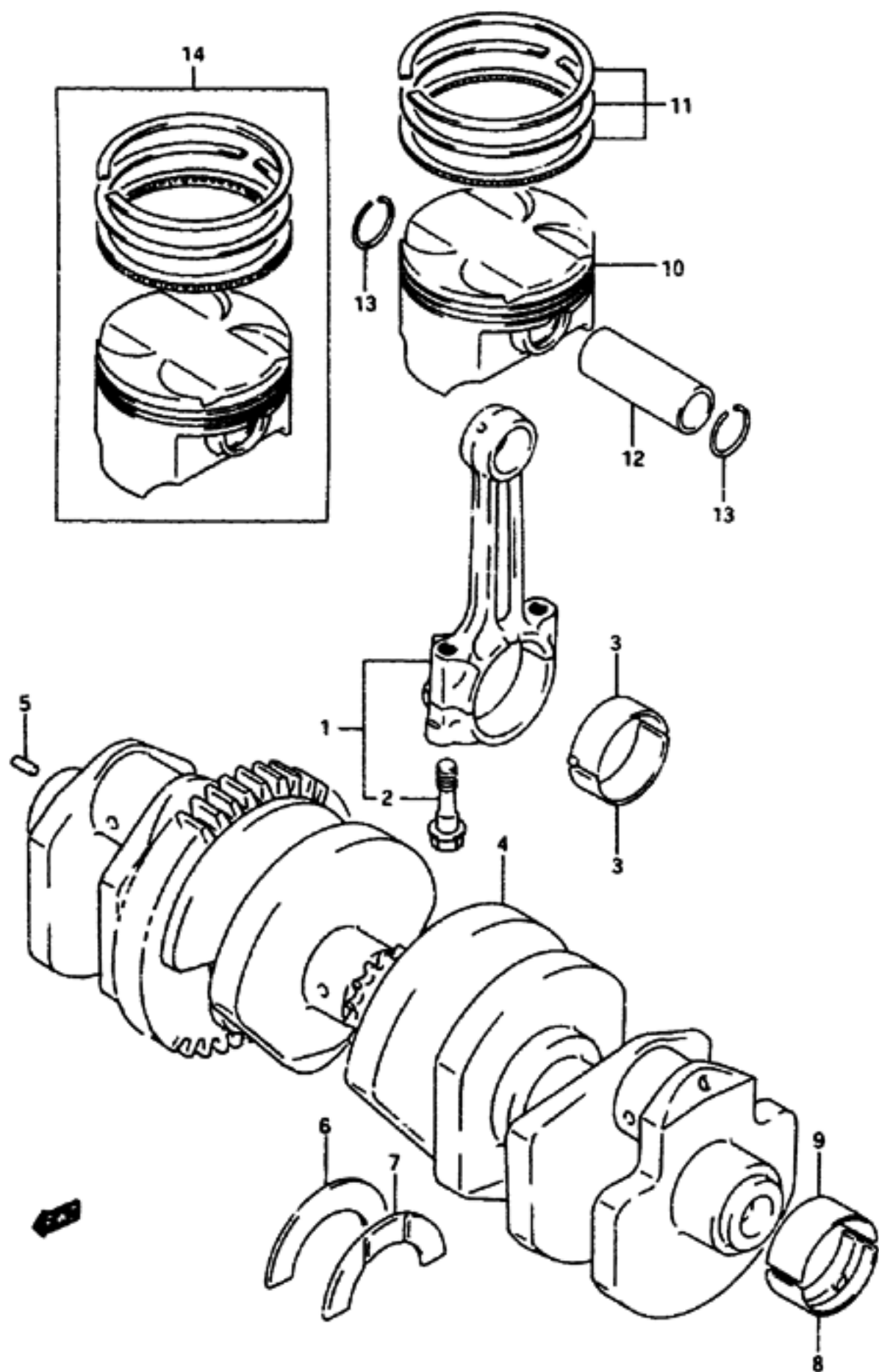
GSX-R1100WW E28

AIR CLEANER.....	C-11	COMLING BODY.....	I-04	FRAME COVER.....	H-02	FUEL TANK.....	G-09	MUFFLER.....	D-02	REAR MASTER CYLINDER.....	L-11	STEERING DAMPER.....	K-05
ALTERNATOR.....	E-11	CRANKCASE COVER.....	B-09	FRAME.....	G-02	GEAR SHIFTING.....	E-08	OIL COOLER.....	D-04	REAR SWINGING ARM.....	L-02	STEERING STEM.....	K-04
BATTERY.....	F-02	CRANKCASE.....	B-04	FRONT BRAKE HOSE.....	K-10	HANDLE LEVER.....	H-16	OIL PAN - OIL PUMP.....	B-10	REAR WHEEL.....	L-06	TAIL LAMP.....	F-10
CAN CHAIN.....	C-04	CRANKSHAFT.....	B-12	FRONT CALIPERS.....	K-08	HANDLE SWITCH.....	F-13	OPTIONAL.....	L-13	SEAT.....	J-05	TRANSMISSION.....	E-04
CAN SHAFT - VALVE.....	C-02	CYLINDER HEAD COVER.....	B-02	FRONT DAMPER.....	K-02	HANDLEBAR.....	H-14	RADIATOR HOSE.....	D-07	SIGNAL GENERATOR.....	E-15	TURN SIGNAL LAMP.....	F-09
CARBURETOR FITTINGS.....	C-09	CYLINDER HEAD.....	B-03	FRONT FENDER.....	H-13	HEADLAMP.....	F-07	RADIATOR.....	D-04	SPEEDOMETER.....	F-04	WATER PUMP.....	D-05
CARBURETOR.....	C-05	CYLINDER.....	B-05	FRONT MASTER CYLINDER.....	K-12	INSTALLATION PARTS.....	I-08	REAR CALIPER.....	L-09	STAND.....	G-04	WIRING HARNESS.....	F-11
CLUTCH MASTER CYLINDER.....	K-14	ELECTRICAL.....	F-03	FRONT WHEEL.....	K-06	INSTALLATION PARTS.....	J-02	REAR CUSHION LEVER.....	L-04	STARTER CLUTCH.....	B-14		
CLUTCH.....	E-02	FOOTREST.....	G-05	FUEL COCK.....	G-14	LABEL.....	J-04	REAR FENDER.....	I-02	STARTING MOTOR.....	E-10		

FIG. 7

B 12

FIG. 7 (B-12) CRANKSHAFT



REF. NO.	PART NO.	DESCRIPTION	Q'TY	REMARKS
1	12160-48E02	ROD ASSY, CONNECTING	4	
2	12163-17C50	. BOLT	8	
3-1	12164-46E01-OA0	BEARING, CRANK PIN (GREEN)	8	
3-2	12164-46E01-OB0	BEARING, CRANK PIN (BLACK)	8	
3-3	12164-46E01-OC0	BEARING, CRANK PIN (BROWN)	8	
3-4	12164-46E01-OD0	BEARING, CRANK PIN (YELLOW)	8	
4	12000-46821	CRANKSHAFT SET	1	
5	04221-04089	. PIN	1	
6	12228-17E00-OD0	. BEARING, THRUST RH (GREEN)	1	
7-1	12228-17E00-OA0	. BEARING, THRUST LH (RED)	1	
7-2	12228-17E00-OB0	. BEARING, THRUST LH (BLACK)	1	
7-3	12228-17E00-OC0	. BEARING, THRUST LH (BLUE)	1	
7-4	12228-17E00-OD0	. BEARING, THRUST LH (GREEN)	1	
7-5	12228-17E00-OE0	. BEARING, THRUST LH (YELLOW)	1	
7-6	12228-17E00-OF0	. BEARING, THRUST LH (WHITE)	1	
8-1	12229-17E00-OA0	BEARING, CRANKSHAFT (GREEN)	6	LOWER MODEL P/R
8-2	12229-17E00-OB0	BEARING, CRANKSHAFT (BLACK)	6	MODEL P/R
8-3	12229-17E00-OC0	BEARING, CRANKSHAFT (BROWN)	6	MODEL P/R
8-4	12229-17E00-OD0	BEARING, CRANKSHAFT (YELLOW)	6	MODEL P/R
8-5	12229-46E00-OA0	BEARING, CRANKSHAFT (GREEN)	6	LOWER MODEL S/T/V/W
8-6	12229-46E00-OB0	BEARING, CRANKSHAFT (BLACK)	6	MODEL S/T/V/W
8-7	12229-46E00-OC0	BEARING, CRANKSHAFT (BROWN)	6	MODEL S/T/V/W
8-8	12229-46E00-OD0	BEARING, CRANKSHAFT (YELLOW)	6	MODEL S/T/V/W
9-1	12229-17E10-OA0	BEARING, CRANKSHAFT (GREEN)	6	UPPER MODEL P/R
9-2	12229-17E10-OB0	BEARING, CRANKSHAFT (BLACK)	6	MODEL P/R
9-3	12229-17E10-OC0	BEARING, CRANKSHAFT (BROWN)	6	MODEL P/R
9-4	12229-17E10-OD0	BEARING, CRANKSHAFT (YELLOW)	6	MODEL P/R
9-5	12229-46E10-OA0	BEARING, CRANKSHAFT (GREEN)	6	UPPER MODEL S/T/V/W
9-6	12229-46E10-OB0	BEARING, CRANKSHAFT (BLACK)	6	MODEL S/T/V/W
9-7	12229-46E10-OC0	BEARING, CRANKSHAFT (BROWN)	6	MODEL S/T/V/W
9-8	12229-46E10-OD0	BEARING, CRANKSHAFT (YELLOW)	6	MODEL S/T/V/W

GSX-R1100W E28

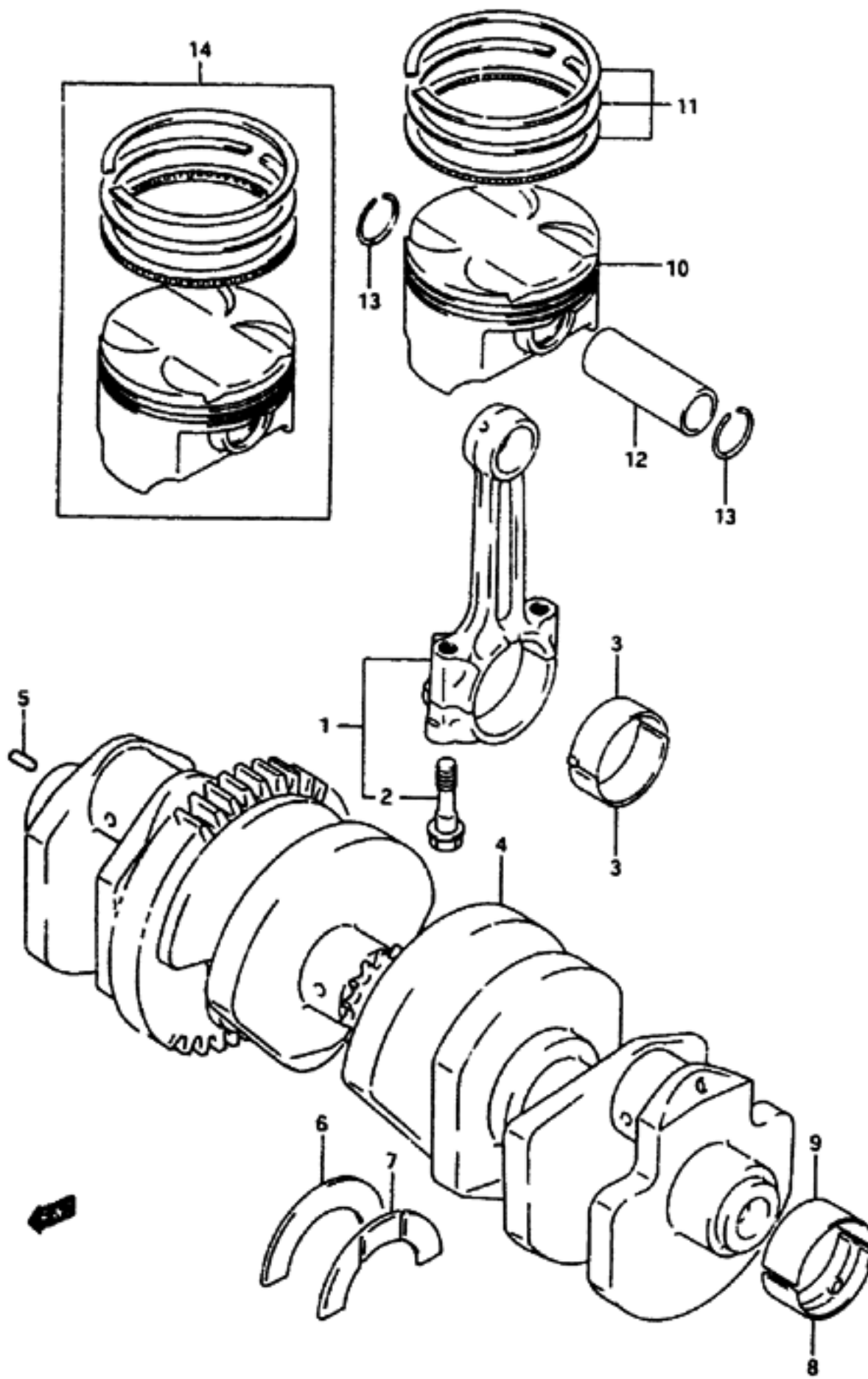
11

AIR CLEANER.....	C-11	CONVING BODY.....	I-04	FRAME COVER.....	H-02	FUEL TANK.....	G-09	MUFFLER.....	D-02	REAR MASTER CYLINDR	L-11	STEERING DAMPER.....	K-05
ALTERNATOR.....	E-11	CRANKCASE COVER....	B-09	FRAME.....	G-02	GEAR SHIFTING.....	E-08	OIL COOLER.....	D-04	REAR SWINGING ARM..	L-02	STEERING STEM.....	K-04
BATTERY.....	F-02	CRANKCASE.....	B-04	FRONT BRAKE HOSE...	K-10	HANDLE LEVER.....	H-16	OIL PAN - OIL PUMP..	B-10	REAR WHEEL.....	L-06	TAIL LAMP.....	F-10
CAM CHAIN.....	C-04	CRANKSHAFT.....	B-12	FRONT CALIPERS.....	K-08	HANDLE SWITCH.....	F-13	OPTIONAL.....	L-13	SEAT.....	J-05	TRANSMISSION.....	E-04
CAP SHAFT - VALVE..	C-02	CYLINDER HEAD COVER	B-02	FRONT DAMPER.....	K-02	HANDLEBAR.....	H-14	RADIATOR HOSE.....	D-07	SIGNAL GENERATOR...	E-15	TURN SIGNAL LAMP....	F-09
CARBURETOR FITTINGS	C-09	CYLINDER HEAD.....	B-03	FRONT FENDER.....	H-13	HEADLAMP.....	F-07	RADIATOR.....	D-06	SPEEDOMETER.....	F-04	WATER PUMP.....	D-05
CARBURETOR.....	C-05	CYLINDER.....	B-05	FRONT MASTER CYLIND	K-12	INSTALLATION PARTS..	I-08	REAR CALIPER.....	L-09	STAND.....	G-04	WIRING HARNESS.....	F-11
CLUTCH MASTER CYLIN	K-14	ELECTICAL.....	F-03	FRONT WHEEL.....	K-04	INSTALLATION PARTS..	J-02	REAR CUSHION LEVER..	L-04	STARTER CLUTCH.....	B-14		
CLUTCH.....	E-02	FOOTREST.....	G-05	FUEL COCK.....	G-14	LABEL.....	J-04	REAR FENDER.....	I-02	STARTING MOTOR.....	E-10		

FIG. 7

B 13

FIG. 7 (B-13) CRANKSHAFT



REF. NO.	PART NO.	DESCRIPTION	Q'TY	REMARKS
10-1	12111-46E06-0F0	PISTON	4	MODEL P/R
10-2	12111-46E07-0F0	PISTON	4	MODEL S/T/V/W
11-1	12140-46E12	RING SET, PISTON	4	MODEL P/R
11-2	12140-46E13	RING SET, PISTON	4	MODEL S/T/V/W
12	12151-24A00	PIN, PISTON	4	
13	09381-200G4	CIRCLIP	8	
14	12100-46E01-050	PISTON SET, OS:0.5	4	OPT

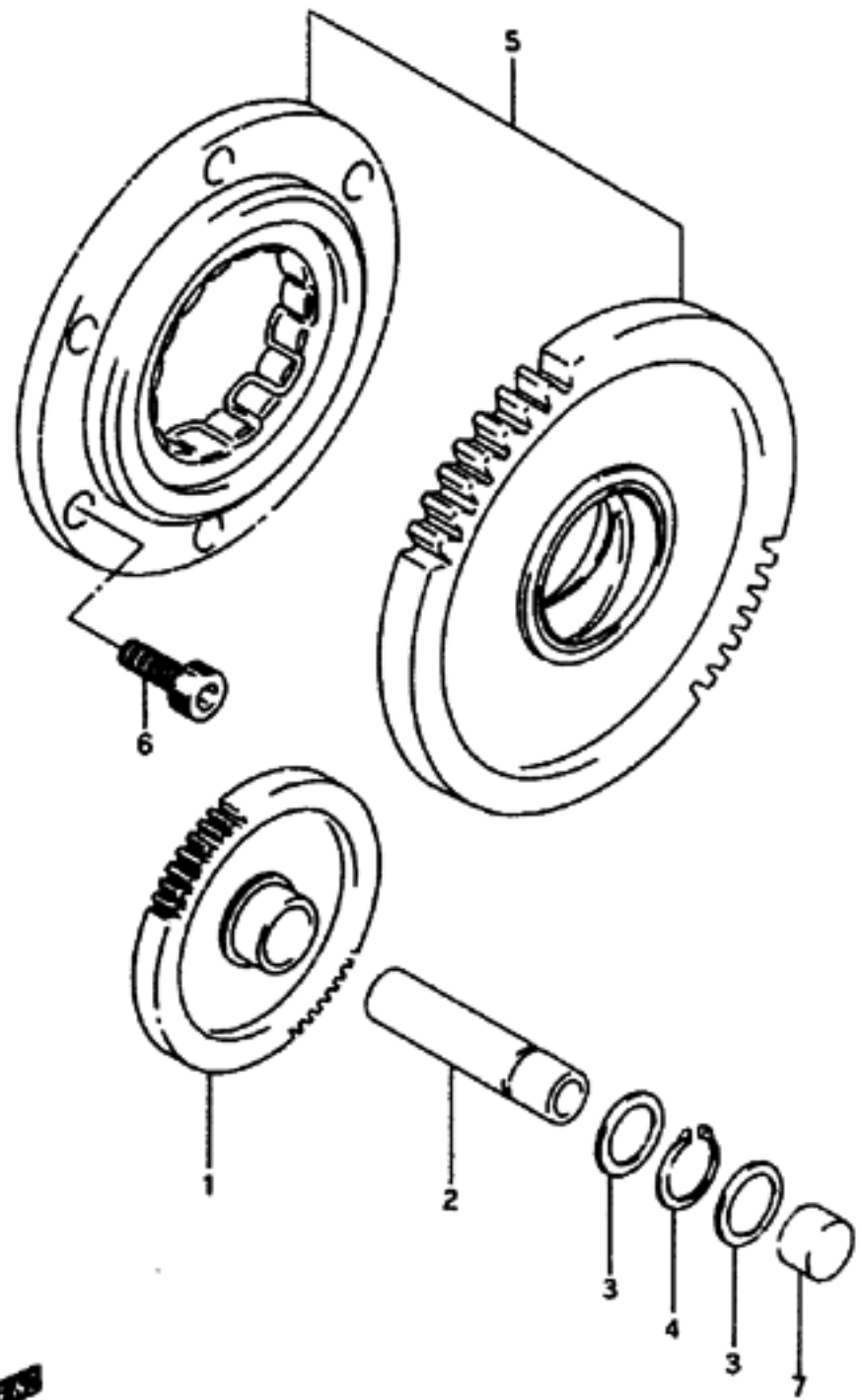
GSX-R1100W E28

AIR CLEANER.....	C-11	COMLING BODY.....	I-04	FRAME CO'ER.....	H-02	FUEL TANK.....	G-09	MUFFLER.....	D-02	REAR MASTER CYLINDE	L-11	STEERING DAMPER.....	K-05
ALTERNATOR.....	E-11	CRANKCASE COVER.....	B-09	FRAME.....	G-02	GEAR SHIFTING.....	E-08	OIL COOLER.....	D-04	REAR SWINGING ARM..	L-02	STEERING STEN.....	K-04
BATTERY.....	F-02	CRANKCASE.....	B-06	FRONT YAKE HOSE...	K-10	HANDLE LEVER.....	H-16	OIL PAN - OIL PUMP..	B-10	REAR WHEEL.....	L-06	TAIL LAMP.....	F-10
CAR CHAIN.....	C-04	CRANKSHAFT.....	B-12	FRONT CALIPERS.....	K-08	HANDLE SWITCH.....	F-13	OPTIONAL.....	L-13	SEAT.....	J-05	TRANSMISSION.....	E-04
CAR SHAFT - VALVE..	C-02	CYLINDER HEAD COVER	B-02	FRONT DAMPER.....	K-02	HANDLEBAR.....	H-14	RADIATOR HOSE.....	D-07	SIGNAL GENERATOR...	E-15	TURNSIGNAL LAMP....	F-09
CARBURETOR FITTINGS	C-09	CYLINDER HEAD.....	B-03	FRONT FENDER.....	H-13	HEADLAMP.....	F-07	RADIATOR.....	D-06	SPEEDOMETER.....	F-04	WATER PUMP.....	D-05
CARBURETOR.....	C-05	CYLINDER.....	B-05	FRONT MASTER CYLIND	K-12	INSTALLATION PARTS..	I-08	REAR CALIPER.....	L-09	STAND.....	G-04	WIRING HARNESS....	F-11
CLUTCH MASTER CYLIN	K-14	ELECTRICAL.....	F-03	FRONT WHEEL.....	K-06	INSTALLATION PARTS..	J-02	REAR CUSHION LEVER..	L-04	STARTER CLUTCH.....	B-14		
CLUTCH.....	E-02	FOOTREST.....	G-05	FUEL COCK.....	G-14	LABEL.....	J-04	REAR FENDER.....	I-02	STARTING MOTOR.....	E-10		

FIG. 8

B 14

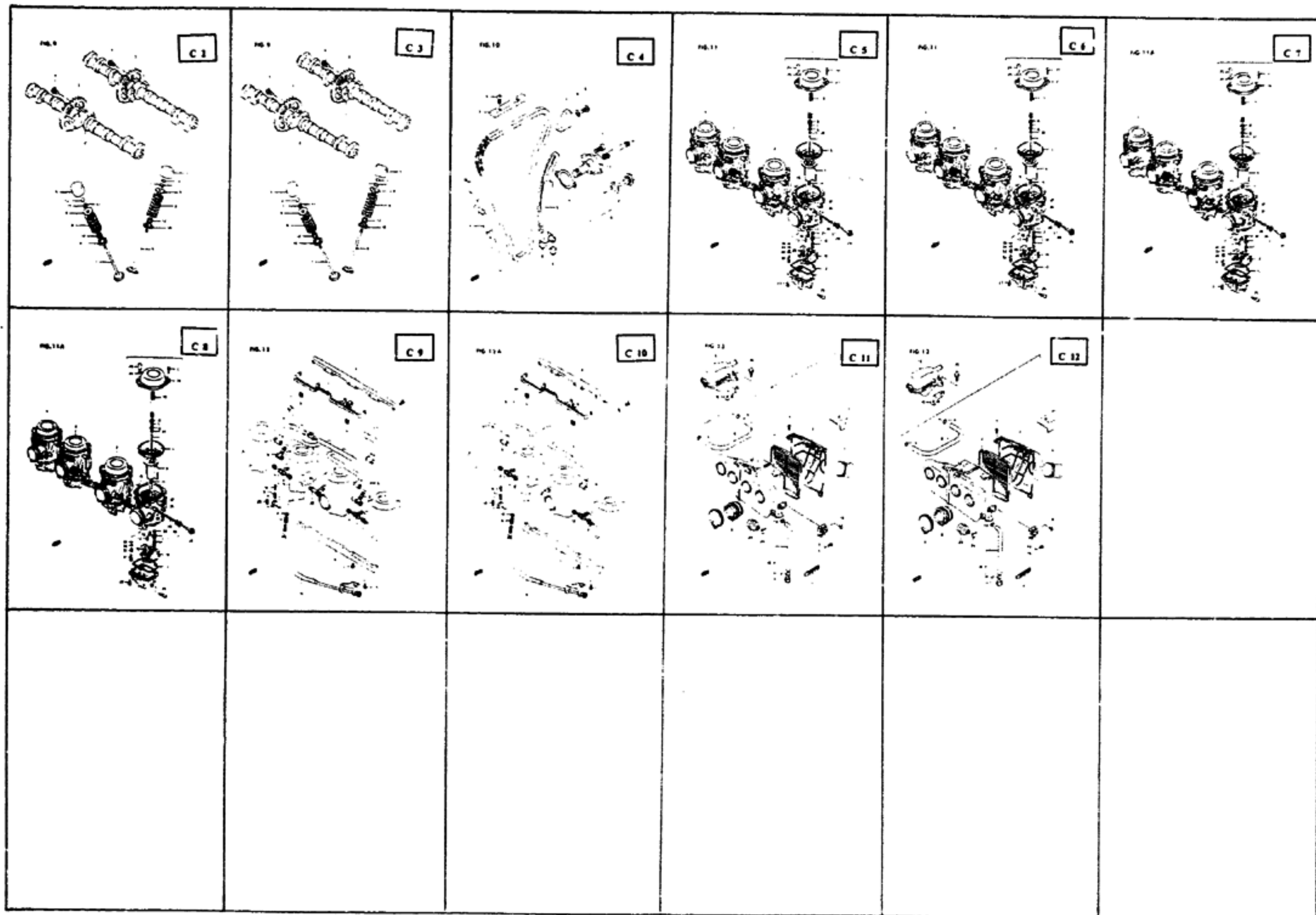
FIG. 8 (B-14) STARTER CLUTCH



REF. NO.	PART NO.	DESCRIPTION	Q'TY	REMARKS
1-1	12611-17E00	GEAR, STARTER IDLE (NT:12/56)	1	MODEL P
1-2	12611-21E00	GEAR, STARTER IDLE (NT:12/56)	1	MODEL K/S/T/V/W
2	12616-17E00	SHAFT, STARTER IDLE GEAR	1	
3-1	08221-12185	WASHER	2	MODEL P/R/S/T
3-2	09181-12130	WASHER	2	MODEL V/W
4	08331-31126	CIRCLIP	1	
5-1	12600-17820	CLUTCH SET, STARTER	1	MODEL P
5-2	12600-21811	CLUTCH SET, STARTER	1	MODEL R/S/T/V/W
6-1	07110-06166	BOLT	6	MODEL P
6-2	07130-06163	BOLT	4	MODEL R
6-3	07130-06123	BOLT	4	MODEL S/T/V/W
7	09241-12006	PLUG, STARTER IDLE SHAFT	1	

GSX-R1100NW E28

AIR CLEANER..... C-11	CONKING BODY..... I-04	FRAME COVER..... H-02	FUEL TANK..... G-09	MUFFLER..... D-02	REAR MASTER CYLINDER L-11	STEERING DAMPER..... K-05
ALTERNATOR..... E-11	CRANKCASE COVER..... B-09	FRAME..... G-02	GEAR SHIFTING..... E-08	OIL COOLER..... D-04	REAR SWINGING ARM.. L-02	STEERING STEM..... K-04
BATTERY..... F-02	CRANKCASE..... B-06	FRONT BRAKE HOSE... K-10	HANDLE LEVER..... H-16	OIL PAN - OIL PUMP. B-10	REAR WHEEL..... L-04	TAIL LAMP..... F-10
CAN CHAIN..... C-04	CRANKSHAFT..... B-12	FRONT CALIPERS..... K-08	HANDLE SWITCH..... F-13	OPTIONAL..... L-13	SEAT..... J-05	TRANSMISSION..... E-06
CAM SHAFT - VALVE.. C-02	CYLINDER HEAD COVER B-02	FRONT DAMPER..... K-02	HANDLEBAR..... H-14	RADIATOR HOSE..... D-07	SIGNAL GENERATOR... E-15	TURNSIGNAL LAMP... F-09
CARBURETOR FITTINGS C-09	CYLINDER HEAD..... B-03	FRONT FENDER..... H-13	HEADLAMP..... F-07	RADIATOR..... D-06	SPEEDOMETER..... F-04	WATER PUMP..... D-05
CARBURETOR..... C-05	CYLINDER..... B-05	FRONT MASTER CYLINDER K-12	INSTALLATION PARTS. I-08	REAR CALIPER..... L-09	STAND..... G-04	WIRING HARNESS..... F-11
CLUTCH MASTER CYLINDER K-14	ELECTRICAL..... F-03	FRONT WHEEL..... K-06	INSTALLATION PARTS. J-02	REAR CUSHION LEVER. L-04	STARTER CLUTCH..... B-14	
CLUTCH..... E-02	FOOTREST..... C-08	FUEL COCK..... G-14	LABEL..... J-04	REAR FENDER..... I-02	STARTING MOTOR..... E-10	



AIR CLEANER.....	C-11	CONRING BODY.....	I-04	FRAME COVER.....	H-02	FUEL TANK.....	C-09	MUFFLER.....	D-02	REAR MASTER CYLINDER.....	L-11	STEERING DAMPER.....	K-05
ALTERNATOR.....	E-11	CRANKCASE COVER.....	B-09	FRAME.....	G-02	GEAR SHIFTING.....	E-08	OIL COOLER.....	D-04	REAR SWINGING ARM.....	L-02	STEERING STEM.....	K-04
BATTERY.....	F-02	CRANKCASE.....	B-06	FRONT BRAKE HOSE.....	K-10	HANDLE LEVER.....	H-16	OIL PAN - OIL PUMP.....	B-10	REAR WHEEL.....	L-06	TAIL LAMP.....	F-10
CAN CHAIN.....	C-04	CRANKSHAFT.....	B-12	FRONT CALIPERS.....	K-08	HANDLE SWITCH.....	F-13	OPTIONAL.....	L-13	SEAT.....	J-05	TRANSMISSION.....	E-06
CAN SHAFT - VALVE.....	C-02	CYLINDER HEAD COVER.....	B-02	FRONT DAMPER.....	K-02	HANDLEBAR.....	H-14	RADIATOR HOSE.....	D-07	SIGNAL GENERATOR.....	E-15	TURNSIGNAL LAMP.....	F-09
CARBURETOR FITTINGS.....	C-09	CYLINDER HEAD.....	B-03	FRONT FENDER.....	H-13	HEADLAMP.....	F-07	RADIATOR.....	D-06	SPEEDOMETER.....	F-04	WATER PUMP.....	D-05
CARBURETOR.....	C-05	CYLINDER.....	B-05	FRONT MASTER CYLINDER.....	K-12	INSTALLATION PARTS.....	I-08	REAR CALIPER.....	L-09	STAND.....	G-04	WIRING HARNESS.....	F-11
CLUTCH MASTER CYLINDER.....	K-14	ELECTRICAL.....	F-03	FRONT WHEEL.....	K-06	INSTALLATION PARTS.....	J-02	REAR CUSHION LEVER.....	L-04	STARTER CLUTCH.....	B-14		
CLUTCH.....	E-02	FOOTREST.....	G-05	FUEL COCK.....	G-14	LABEL.....	J-04	REAR FENDER.....	L-02	STARTING MOTOR.....	E-10		

FIG. 9

C 2

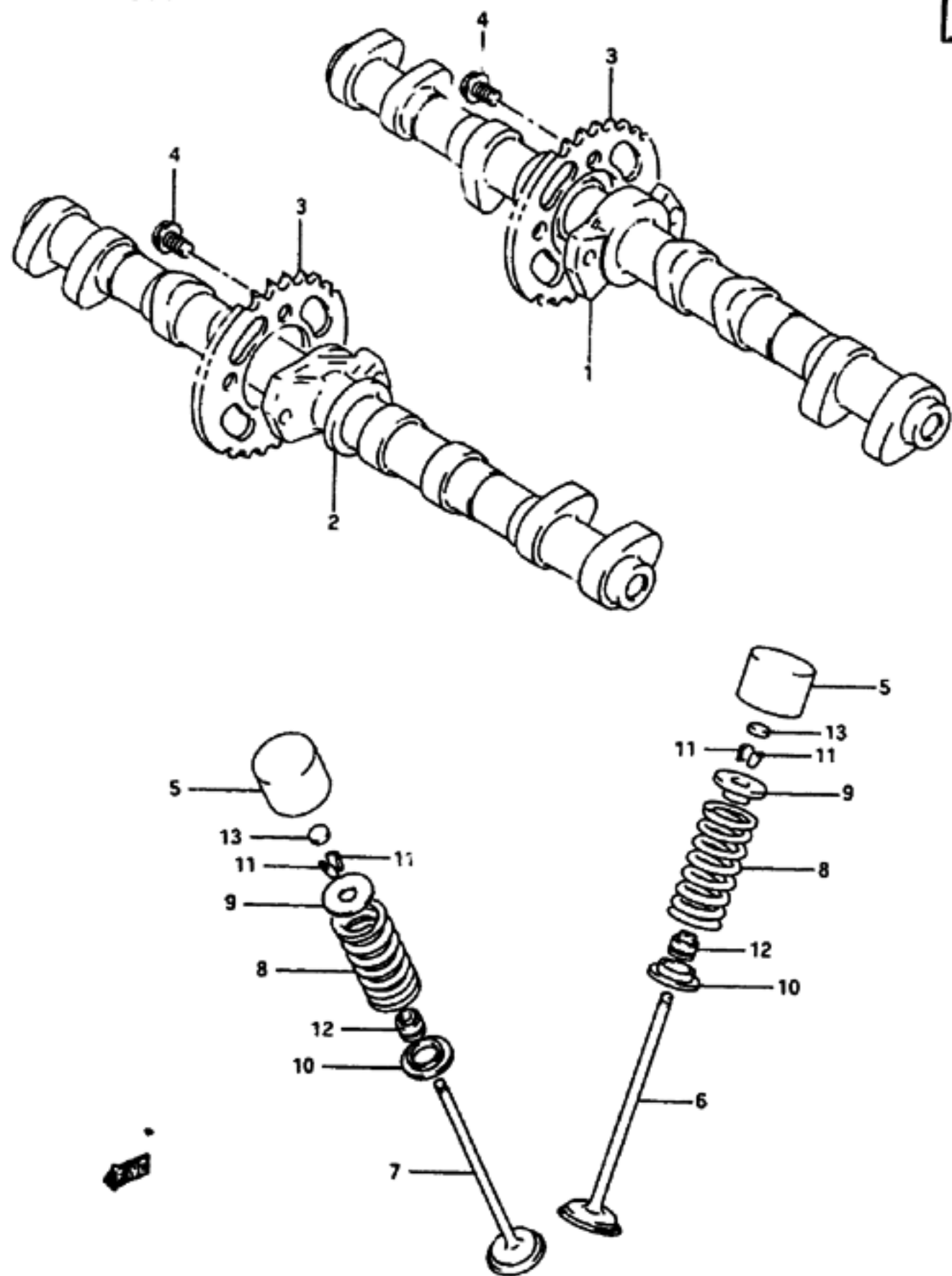


FIG. 9 (C- 2) CAM SHAFT - VALVE

REF. NO.	PART NO.	DESCRIPTION	Q'TY	REMARKS
1-1	12711-46E00	CAM SHAFT, INTAKE	1	MODEL P/R
1-2	12711-46E30	CAM SHAFT, INTAKE	1	MODEL S/T/V/W
2-1	12721-46E00	CAM SHAFT, EXHAUST	1	MODEL P/R
2-2	12721-46E20	CAM SHAFT, EXHAUST	1	MODEL S/T/V/W
3	12741-17E00	SPROCKET, CAM SHAFT	2	
4	09103-07001	BOLT (7X11.5)	4	
5	12891-17E00	TAPPET	16	
6	12911-46E00	VALVE, INTAKE	8	
7	12912-46E00	VALVE, EXHAUST	6	
8	12921-46E00	SPRING, VALVE	16	
9-1	12931-17E00	RETAINER, VALVE SPRING	16	MODEL P/R
9-2	12931-17E01	RETAINER, VALVE SPRING	16	MODEL S/T/V/W
10	12933-17E00	SEAT, VALVE SPRING	16	
11	12932-32C00	COTTER, VALVE	32	
12	09289-04002	OIL SEAL (4.5X10X8)	16	
13-1	12892-05C00-120	SHIM, TAPPET (T:1.20)	16	
13-2	12892-05C00-125	SHIM, TAPPET (T:1.25)	16	
13-3	12892-05C00-130	SHIM, TAPPET (T:1.30)	16	
13-4	12892-05C00-135	SHIM, TAPPET (T:1.35)	16	
13-5	12892-05C00-140	SHIM, TAPPET (T:1.40)	16	
13-6	12892-05C00-145	SHIM, TAPPET (T:1.45)	16	
13-7	12892-05C00-150	SHIM, TAPPET (T:1.50)	16	
13-8	12892-05C00-155	SHIM, TAPPET (T:1.55)	16	
13-9	12892-05C00-160	SHIM, TAPPET (T:1.60)	16	
13-10	12892-05C00-165	SHIM, TAPPET (T:1.65)	16	
13-11	12892-05C00-17C	SHIM, TAPPET (T:1.70)	16	
13-12	12892-05C00-175	SHIM, TAPPET (T:1.75)	16	
13-13	12892-05C00-180	SHIM, TAPPET (T:1.80)	16	
13-14	12892-05C00-185	SHIM, TAPPET (T:1.85)	16	
13-15	12892-05C00-190	SHIM, TAPPET (T:1.90)	16	
13-16	12892-05C00-195	SHIM, TAPPET (T:1.95)	16	
13-17	12892-05C00-200	SHIM, TAPPET (T:2.00)	16	
13-18	12892-05C00-205	SHIM, TAPPET (T:2.05)	16	
13-19	12892-05C00-210	SHIM, TAPPET (T:2.10)	16	
13-20	12892-05C00-215	SHIM, TAPPET (T:2.15)	16	
13-21	12892-05C00-220	SHIM, TAPPET (T:2.20)	16	

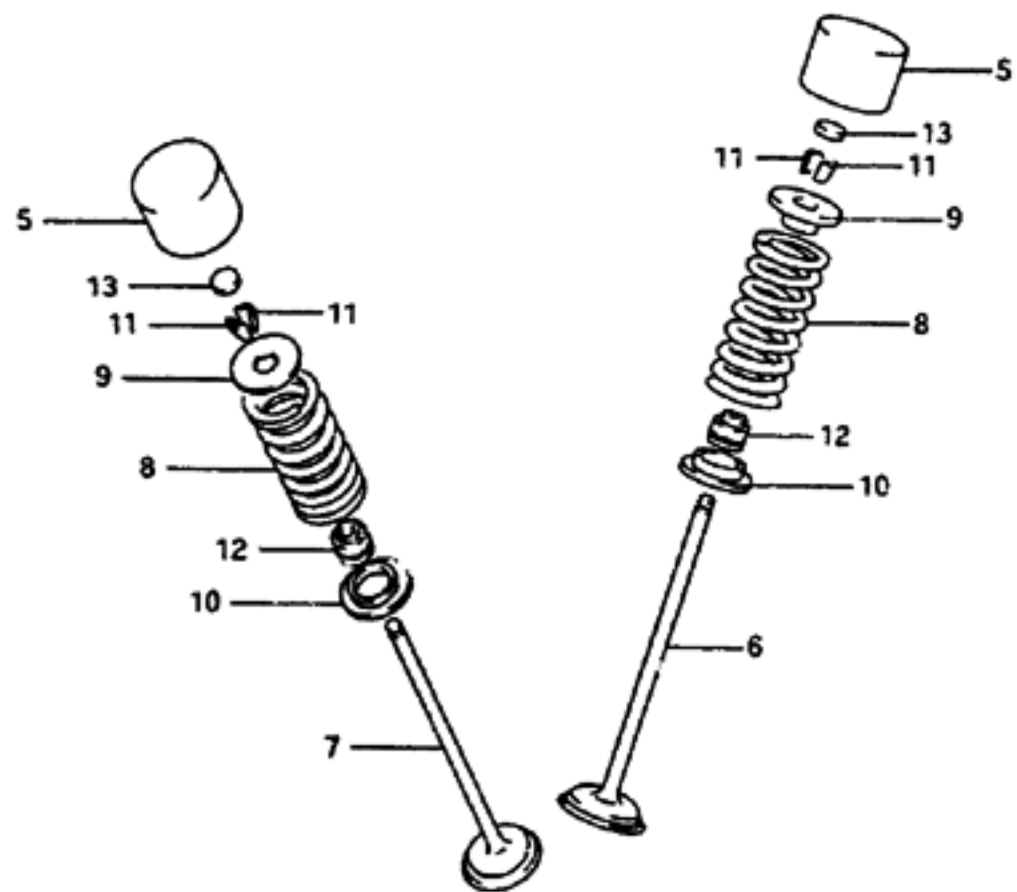
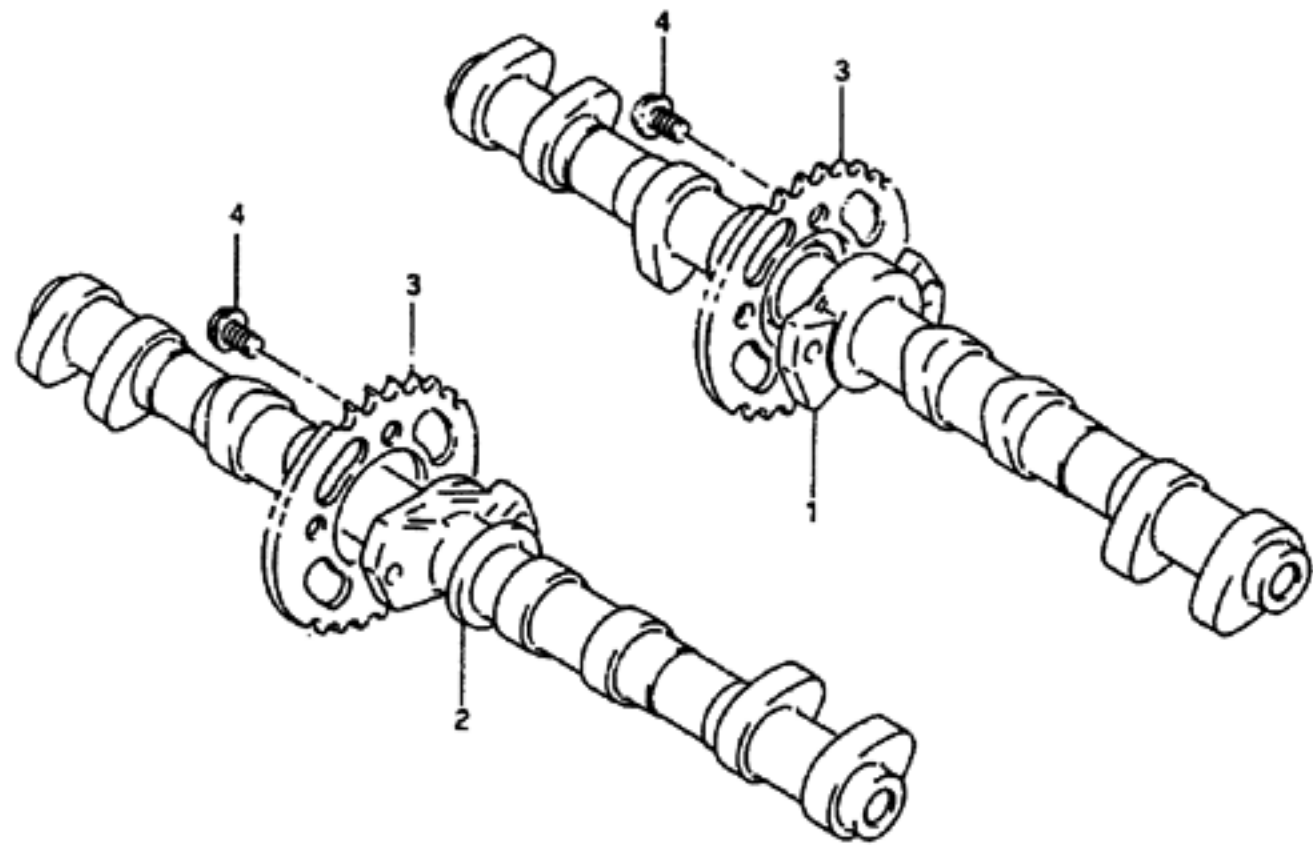
GSX-R1100NW E28

AIR CLEANER.....	C-11	CONKING BODY.....	I-04	FRAME COVER.....	H-02	FUEL TANK.....	G-09	MUFFLER.....	D-02	REAR MASTER CYLINDER	L-11	STEERING DAMPER.....	K-05
ALTERNATOR.....	E-11	CRANKCASE COVER.....	B-09	FRAME.....	G-02	GEAR SHIFTING.....	E-08	OIL COOLER.....	D-04	REAR SWINGING ARM..	L-02	STEERING STEM.....	K-04
BATTERY.....	F-02	CRANKCASE.....	B-06	FRONT BRAKE HOSE...	K-10	HANDLE LEVER.....	H-16	DIL PAN - OIL PUMP..	B-10	REAR WHEEL.....	L-06	TAIL LAMP.....	F-10
CAN CHAIN.....	C-04	CRANKSHAFT.....	B-12	FRONT CALIPERS.....	K-08	HANDLE SWITCH.....	F-13	OPTIONAL.....	L-13	SEAT.....	J-05	TRANSMISSION.....	E-04
CAM SHAFT - VALVE..	C-02	CYLINDER HEAD COVER	B-02	FRONT DAMPER.....	K-02	HANDLEBAR.....	H-14	RADIATOR NOSE.....	D-07	SIGNAL GENERATOR...	E-15	TURNSIGNAL LAMP....	F-09
CARBURETOR FITTINGS	C-09	CYLINDER HEAD.....	B-03	FRONT FENDER.....	H-13	HEADLAMP.....	F-07	RADIATOR.....	D-04	SPEEDOMETER.....	F-04	WATER PUMP.....	D-05
CARBURETOR.....	C-05	CYLINDER.....	B-05	FRONT MASTER CYLIND	K-12	INSTALLATION PARTS..	I-08	REAR CALIPER.....	L-09	STAND.....	G-04	WIRING HARNESS.....	F-21
CLUTCH MASTER CYLIN	K-14	ELECTRICAL.....	F-03	FRONT WHEEL.....	K-06	INSTALLATION PARTS..	J-02	REAR CUSHION LEVER..	L-04	STARTER CLUTCH.....	B-14		
CLUTCH.....	E-02	FOOTREST.....	G-05	FUEL COCK.....	G-14	LABEL.....	J-04	REAR FENDER.....	I-02	STARTING ROTOR.....	E-10		

FIG. 9

C 3

FIG. 9 (C- 3) CAM SHAFT - VAL



REF. NO.	PART NO.	DESCRIPTION	Q'TY	REMARKS
14	12800-05820	SHIM SET, TAPPET INC. REF. NO. 13-1~13-21 (5PCS. EACH) & NO. 15	1	OPT NOT SHOWN
15	99000-69491	.CASE, TAPPET SHIM	1	OPT

GSX-R1100WN E28

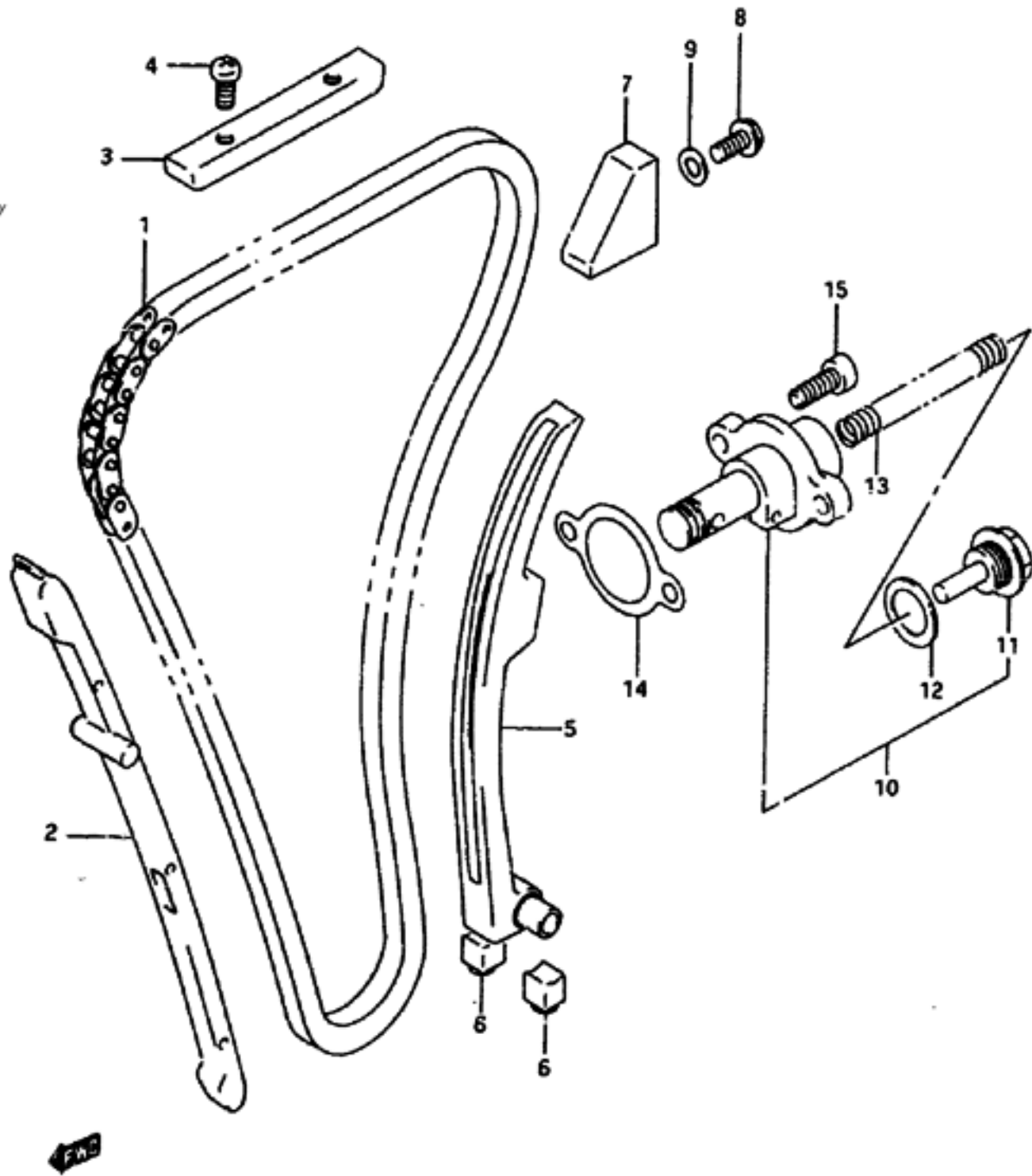
15

AIR CLEANER.....	C-11	CONVING BODY.....	I-04	FRAME COVER.....	H-02	FUEL TANK.....	G-09	MUFFLER.....	D-02	REAR MASTER CYLINDER	L-11	STEERING DAMPER.....	K-05
ALTERNATOR.....	E-11	CRANKCASE COVER.....	B-09	FRAME.....	G-02	GEAR SHIFTING.....	E-08	OIL COOLER.....	D-04	REAR SWINGING ARM..	L-02	STEERING STEM.....	K-04
BATTERY.....	F-02	CRANKCASE.....	B-06	FRONT BRAKE HOSE...	K-10	HANDLE LEVER.....	H-16	OIL PAN - OIL PUMP..	B-10	REAR WHEEL.....	L-06	TAIL LAMP.....	F-10
CAM CHAIN.....	C-04	CRANKSHAFT.....	B-12	FRONT CALIPERS.....	K-08	HANDLE SWITCH.....	F-13	OPTIONAL.....	L-13	SEAT.....	J-05	TRANSMISSION.....	E-06
CAM SHAFT - VALVE..	C-02	CYLINDER HEAD COVER	B-02	FRONT DAMPER.....	K-02	HANDLEBAR.....	H-14	RADIATOR HOSE.....	D-07	SIGNAL GENERATOR...	E-15	URNSIGNAL LAMP.....	F-09
CARBURETOR FITTINGS	C-09	CYLINDER HEAD.....	B-03	FRONT FENDER.....	H-13	HEADLAMP.....	F-07	RADIATOR.....	D-06	SPEEDOMETER.....	F-04	WATER PUMP.....	D-05
CARBURETOR.....	C-05	CYLINDER.....	B-05	FRONT MASTER CYLIND	K-12	INSTALLATION PARTS..	I-08	REAR CALIPER.....	L-09	STAND.....	G-04	WIRING HARNESS.....	F-11
CLUTCH MASTER CYLIN	K-14	ELECTRICAL.....	F-03	FRONT WHEEL.....	K-06	INSTALLATION PARTS..	J-02	REAR CUSHION LEVER..	L-04	STARTER CLUTCH.....	B-14		
CLUTCH.....	E-02	FOOTREST.....	G-05	FUEL COCK.....	G-14	LABEL.....	J-04	REAR FENDER.....	I-02	STARTING ROTOC.....	E-10		

FIG. 10

C 4

FIG. 10 (C- 4) CAM CHAIN



REF. NO.	PART NO.	DESCRIPTION	Q'TY	REMARKS
1-1	12760-46E00	CHAIN, CAM SHAFT DRIVE	1	MODEL P/R
1-2	12760-46E01	CHAIN, CAM SHAFT DRIVE	1	MODEL S/T/V/W
2	12771-46E00	GUIDE, CAM CHAIN NO. 1	1	
3-1	12782-46E00	GUIDE, CAM CHAIN NO. 2	1	MODEL P
3-2	12782-46E01	GUIDE, CAM CHAIN NO. 2	1	MODEL R/S/T/V/W
4-1	02112-05087	SCREW	2	MODEL P
4-2	02112-05083	SCREW	2	MODEL R/S/T/V/W
5	12810-46E00	TENSIONER, CAM CHAIN	1	
6	12814-34200	CUSHION	2	
7-1	12791-17E00	GUIDE, CAM CHAIN NO. 3	1	MODEL P/R. -12791-17E01 W/09168-06023 & 01550-06163
7-2	12791-17E01	GUIDE, CAM CHAIN NO. 3	1	MODEL S/T/V/W
8-1	01517-06125	BOLT	1	MODEL P
8-2	01550-06123	BOLT	1	MODEL R
8-3	01550-06163	BOLT	1	MODEL S/T/V/W
9	09168-06023	WASHER	1	
10-1	12830-46E00	ADJUSTER ASSY, TENSIONER	1	MODEL P/R
10-2	12830-46E10	ADJUSTER ASSY, TENSIONER	1	MODEL S/T/V/W
11	12834-27A00	. PLUG	1	
12	12832-27A00	. GASKET	1	
13	12833-26D10	. SPRING	1	
14	12837-27A10	GASKET, ADJUSTER	1	
15-1	09106-06059	BOLT (8X23)	2	MODEL P
15-2	09106-06082	BOLT (8X22)	2	MODEL R/S
15-3	09106-06079	BOLT (8X22)	2	MODEL T/V/W

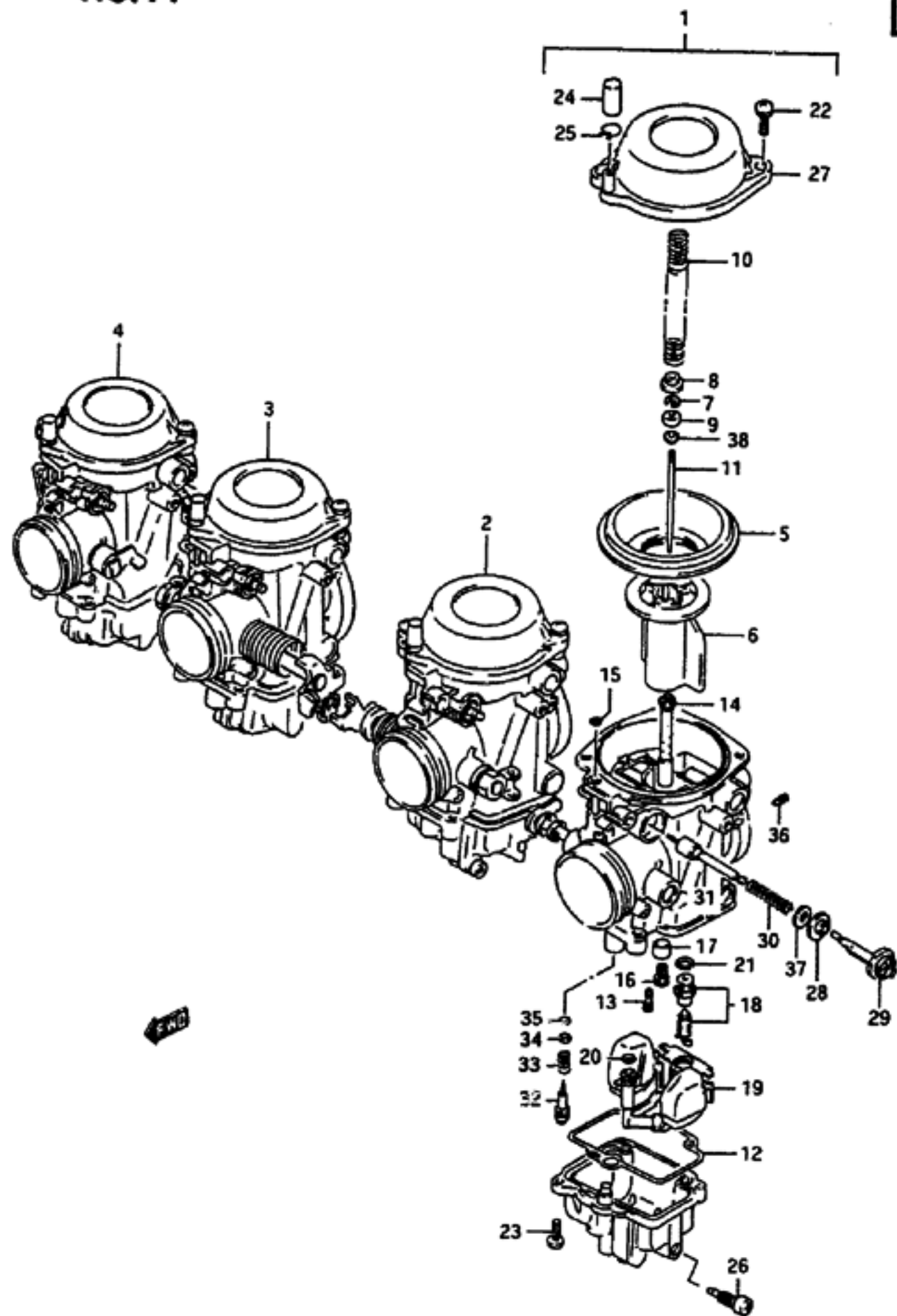
GSX-R1100WW E28

AIR CLEANER.....	C-11	COMLING BODY.....	I-04	FRAME COVER.....	H-02	FUEL TANK.....	G-09	MUFFLER.....	D-02	REAR MASTER CYLINDER	L-11	STEERING DAMPER.....	K-05
ALTERNATOR.....	E-11	CRANKCASE COVER.....	B-09	FRAME.....	G-02	GEAR SHIFTING.....	E-08	OIL COOLER.....	D-04	REAR SWINGING ARM..	L-02	STEERING STEN.....	K-04
BATTERY.....	F-02	CRANKCASE.....	B-06	FRONT BRAKE HOSE...	K-10	HANDLE LEVER.....	H-16	OIL PAN - OIL PUMP..	B-10	REAR WHEEL.....	L-06	TAIL LAMP.....	F-10
CAM CHAIN.....	C-04	CRANKSHAFT.....	B-12	FRONT CALIPERS.....	K-08	HANDLE SWITCH.....	F-13	OPTIONAL.....	L-13	SEAT.....	J-05	TRANSMISSION.....	E-06
CAM SHAFT - VALVE..	C-02	CYLINDER HEAD COVER	B-02	FRONT DAMPER.....	K-02	HANDLEBAR.....	H-14	RADIATOR HOSE.....	D-07	SIGNAL GENERATOR...	E-15	TURNSIGNAL LAMP....	F-09
CARBURETOR FITTINGS	C-09	CYLINDER HEAD.....	E-03	FRONT FENDER.....	H-13	HEADLAMP.....	F-07	RADIATOR.....	D-06	SPEEDOMETER.....	F-04	WATER PUMP.....	D-05
CARBURETOR.....	C-03	CYLINDER.....	B-05	FRONT MASTER CYLIND	K-12	INSTALLATION PARTS..	I-08	REAR CALIPER.....	L-09	STAND.....	G-04	WIRING HARNESS....	F-11
CLUTCH MASTER CYLIN	K-14	ELECTRICAL.....	F-03	FRONT WHEEL.....	K-06	INSTALLATION PARTS..	J-02	REAR CUSHION LEVER..	L-04	STARTER CLUTCH.....	B-14		
CLUTCH.....	E-02	FOOTREST.....	G-05	FUEL COCK.....	G-14	LABEL.....	J-04	REAR FENDER.....	I-02	STARTING ROTOR.....	E-10		

FIG. 11

C 5

FIG. 11 (C- 5) CARBURETOR (MODEL P/R/S/T)



REF. NO.	PART NO.	DESCRIPTION	Q'TY	REMARKS
1-1	13201-46E00	CARBURETOR ASSY, LH	1	MODEL P/R
1-2	13201-46EHO	CARBURETOR ASSY, LH	1	MODEL S/T
2-1	13202-46E00	CARBURETOR ASSY, ML	1	MODEL P/R
2-2	13202-46EHO	CARBURETOR ASSY, ML	1	MODEL S/T
3-1	13203-46E00	CARBURETOR ASSY, MR	1	MODEL P/R
3-2	13203-46EHO	CARBURETOR ASSY, MR	1	MODEL S/T
4-1	13204-46E00	CARBURETOR ASSY, RH	1	MODEL P/R
4-2	13204-46EHO	CARBURETOR ASSY, RH	1	MODEL S/T
5	13507-07001	. DIAPHRAGM	4	
6-1	13501-07000	. VALVE, PISTON	4	MODEL P/R
6-2	13501-17000	. VALVE, PISTON	4	MODEL S/T
7	13394-31210	. E RING	4	
8	13331-12000	. RING	4	
9	13387-07000	. RING	4	
10-1	13417-17000	. SPRING	4	MODEL P/R
10-2	13417-31E00	. SPRING	4	MODEL S/T
11	13383-41C00	. JET NEEDLE (6ZD13-4)	4	
12	13258-44800	. GASKET, FLOAT CHAMBER	4	
13	09492-40014	. JET, PILOT (40)	4	
14-1	09494-00800	. NEEDLE JET (P-2)	4	MODEL P/R
14-2	09494-00857	. NEEDLE JET (P-2)	4	MODEL S/T
15	13278-02340	. O RING	4	
16-1	09491-25010	. JET, MAIN (125)	3	LH/ML/RH, MODEL P/R
16-2	09491-24013	. JET, MAIN (122.5)	2	LH/RH, MODEL S/T
16-3	09491-25011	. JET, MAIN (127.5)	1	MR, MODEL P/R
16-4	09491-25010	. JET, MAIN (125)	2	ML/MR, MODEL S/T
17	13331-07000	. RING	4	
18-1	13370-07000	. VALVE ASSY, NEEDLE	4	MODEL P/R
18-2	13370-46E10	. VALVE ASSY, NEEDLE	4	MODEL S/T
19-1	13240-07000	. FLOAT ASSY	4	MODEL P/R
19-2	13240-14D10	. FLOAT ASSY	4	MODEL S/T
20	13374-46710	. O RING	4	

REFER TO FIG. 11A(C-7) FOR MODEL V/W

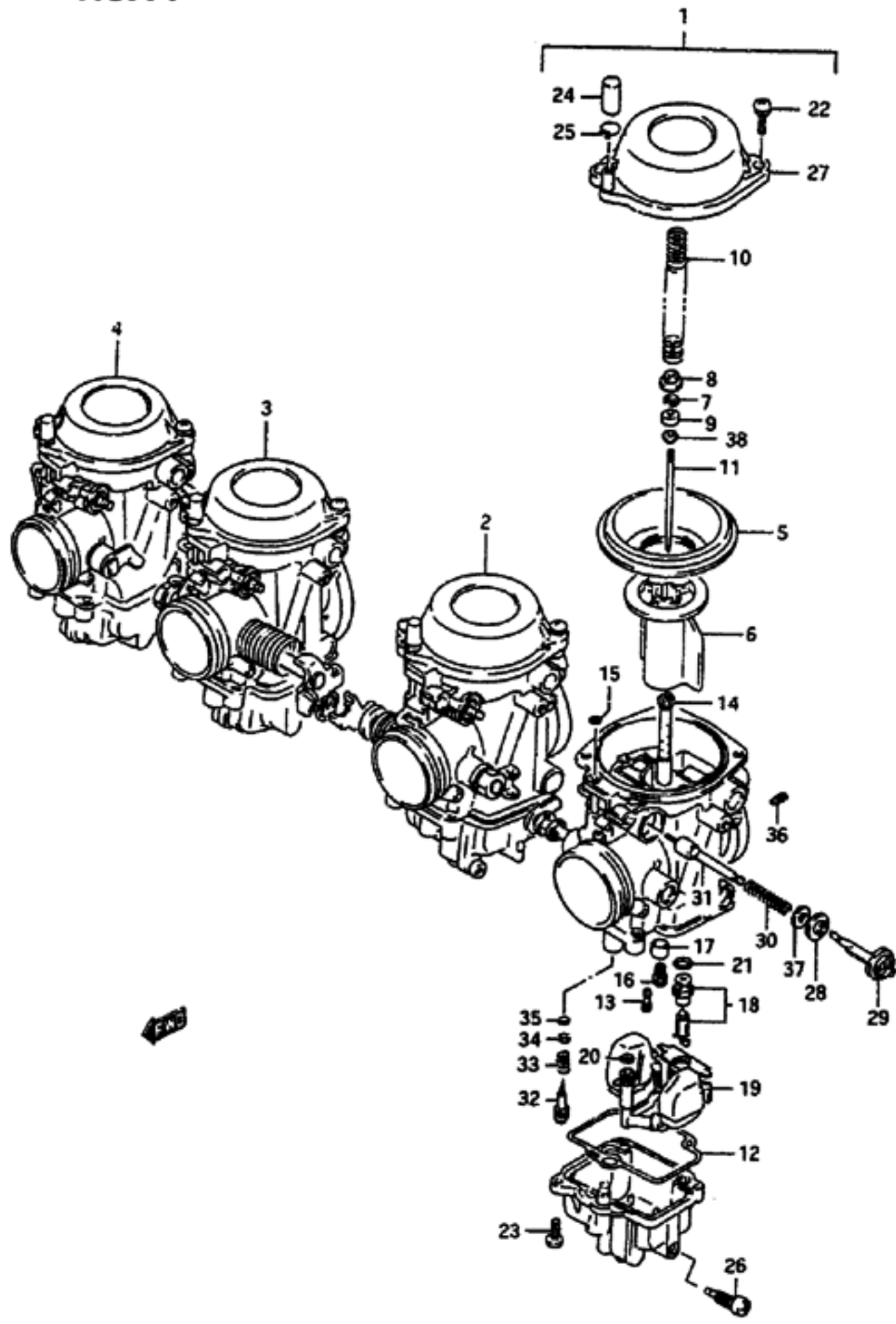
GSX-R1100NW E28

AIR CLEANER.....	C-11	CONVING BODY.....	I-04	FRAME COVER.....	H-02	FUEL TANK.....	G-09	MUFFLER.....	D-02	REAR MASTER CYLINDER	L-11	STEERING DAMPER.....	K-05
ALTERNATOR.....	E-11	CRANKCASE COVER.....	B-09	FRAME.....	G-02	GEAR SHIFTING.....	E-08	OIL COOLER.....	D-04	REAR SWINGING ARM..	L-02	STEERING STEM.....	K-04
BATTERY.....	F-02	CRANKCASE.....	B-06	FRONT BRAKE HOSE...	K-10	HANDLE LEVER.....	H-16	OIL PAN - OIL PUMP..	B-10	REAR WHEEL.....	L-06	TAIL LAMP.....	F-10
CAN CHAIN.....	C-04	CRANKSHAFT.....	B-12	FRONT CALIPERS.....	K-08	HANDLE SWITCH.....	F-13	OPTIONAL.....	L-13	SEAT.....	J-05	TRANSMISSION.....	E-06
CAN SHAFT - VALVE..	C-02	CYLINDER HEAD COVER	B-02	FRONT DAMPER.....	K-02	HANDLEBAR.....	H-14	RADIATOR HOSE.....	D-07	SIGNAL GENERATOR...	E-15	TURN SIGNAL LAMP...	F-09
CARBURETOR FITTINGS	C-09	CYLINDER HEAD.....	B-03	FRONT FENDER.....	H-13	HEADLAMP.....	F-07	RADIATOR.....	D-06	SPEEDOMETER.....	F-04	WATER PUMP.....	D-05
CARBURETOR.....	C-05	CYLINDER.....	B-05	FRONT MASTER CYLIND	K-12	INSTALLATION PARTS..	I-08	REAR CALIPER.....	L-09	STAND.....	G-04	WIRING HARNESS.....	F-11
CLUTCH MASTER CYLIN	K-14	ELECTRICAL.....	F-03	FRONT WHEEL.....	K-06	INSTALLATION PARTS..	J-02	REAR CUSHION LEVER..	L-04	STARTER CLUTCH.....	B-14		
CLUTCH.....	E-02	FOOTREST.....	G-05	FUEL COCK.....	G-14	LABEL.....	J-04	REAR FENDER.....	I-02	STARTING MOTOR.....	E-10		

FIG. 11

C 6

FIG. 11 (C- 6) CARBURETOR (MODEL P/R/S/T)



REF. NO.	PART NO.	DESCRIPTION	Q'TY	REMARKS
21	13374-44080	. O RING	4	
22	02112-75163	. SCREW	8	
23-1	13602-05148	. SCREW	8	MODEL P/R
23-2	13601-05148	. SCREW	8	MODEL S/T
24	13508-17000	. CAP	4	
25	13671-05A40	. CLIP	4	
26	13247-13A00	. SCREW, DRAIN	4	
27	13502-41000	. COVER, DIAPHRAGM	4	
28	13418-17000	. CAP, STARTER	4	
29	13418-17010	. HOLDER	4	
30	13417-26000	. SPRING	4	
31	13411-05320	. PLUNGER ASSY	4	
32-1	13279-47070	. SCREW, AIR (2.0)	4	MODEL P/R
32-2	13279-47070	. SCREW, AIR (1 5/8)	4	MODEL S/T
33	13268-47070	. SPRING	4	
34	13291-29900	. WASHER	4	
35	13295-29900	. O RING	4	
36	09493-24007	. JET, AIR (1.2)	4	
37	13432-47090	. WASHER	4	
38	13382-46E00	. WASHER	4	

REFER TO FIG. 11A(C-7) FOR MODEL V/W

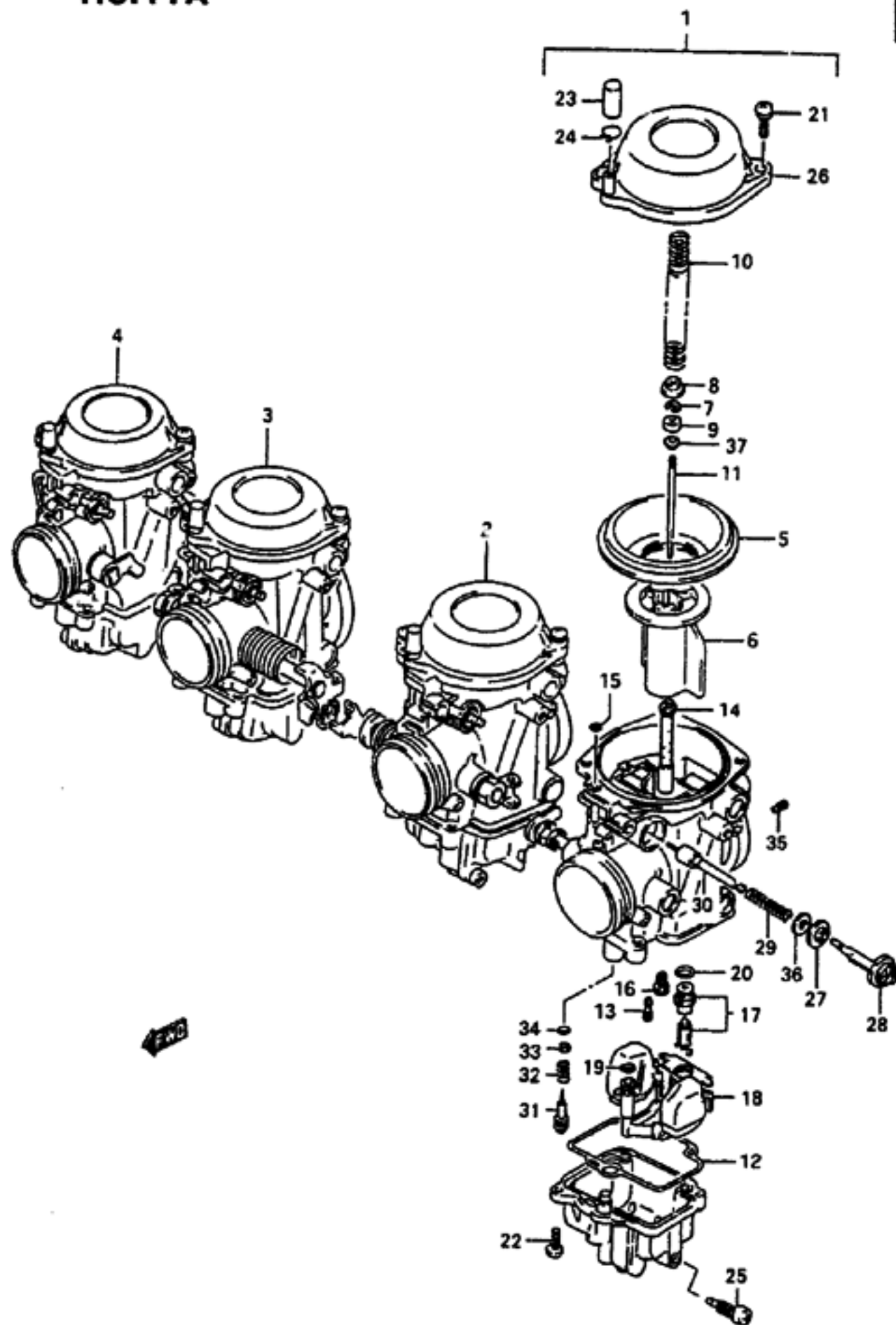
GSX-R1100WV E28

AIR CLEANER.....	C-11	COWLING BODY.....	I-04	FRAME COVER.....	H-02	FUEL TANK.....	G-09	MUFFLER.....	D-02	REAR MASTER CYLINDER	L-11	STEERING DAMPER.....	K-05
ALTERNATOR.....	E-11	CRANKCASE COVER.....	B-09	FRAME.....	C-02	GEAR SHIFTING.....	E-08	OIL COOLER.....	D-04	REAR SWINGING ARM..	L-02	STEERING STEM.....	K-04
BATTERY.....	F-02	CRANKCASE.....	B-06	FRONT BRAKE HOSE...	K-10	HANDLE LEVER.....	H-16	OIL PAN - OIL PUMP..	B-10	REAR WHEEL.....	L-04	TAIL LAMP.....	F-10
CAM CHAIN.....	C-04	CRANKSHAFT.....	B-12	FRONT CALIPER.....	K-08	HANDLE SWITCH.....	F-13	OPTIONAL.....	L-13	SEAT.....	J-05	TRANSMISSION.....	E-06
CAM SHAFT - VALVE..	C-02	CYLINDER HEAD COVER	B-02	FRONT DAMPER.....	K-02	HANDLEBAR.....	H-14	RADIATOR HOSE.....	D-07	SIGNAL GENERATOR...	E-15	TURN SIGNAL LAMP...	F-09
CARBURETOR FITTINGS	C-09	CYLINDER HEAD.....	B-03	FRONT FENDER.....	H-13	HEADLAMP.....	F-07	RADIATOR.....	D-04	SPEEDOMETER.....	F-04	WATER PUMP.....	D-05
CARBURETOR.....	C-05	CYLINDER.....	B-05	FRONT MASTER CYLIND	K-12	INSTALLATION PARTS..	I-08	REAR CALIPER.....	L-09	STAND.....	G-04	WIRING HARNESS.....	F-11
CLUTCH MASTER CYLIN	K-14	ELECTRICAL.....	F-03	FRONT WHEEL.....	K-06	INSTALLATION PARTS..	J-02	REAR CUSHION LEVER..	L-04	STARTER CLUTCH.....	B-14		
CLUTCH.....	E-02	FOOTREST.....	G-05	FUEL COCK.....	G-14	LABEL.....	J-04	REAR FENDER.....	I-02	STARTING MOTOR.....	E-10		

FIG. 11A

C 7

FIG. 11A(C- 7) CARBURETOR (MODEL V/W)



REF. NO.	PART NO.	DESCRIPTION	Q'TY	REMARKS
1	13201-46ECO	CARBURETOR ASSY, LH	1	
2	13202-46ECO	CARBURETOR ASSY, ML	1	
3	13203-46ECO	CARBURETOR ASSY, MR	1	
4	13204-46ECO	CARBURETOR ASSY, RH	1	
5	13507-17C01	. DIAPHRAGM	4	
6	13501-02D00	. VALVE, PISTON	4	
7	13394-10010	. E RING	4	
8	13382-42A00	. RING	4	
9	13387-47010	. RING	4	
10-1	13417-17D00	. SPRING	2	LH, RH
10-2	13503-34A00	. SPRING	2	ML, MR
11	13383-46E60	. JET NEEDLE (5D75)	4	
12	13258-44B00	. GASKET, FLOAT CHAMBER	4	
13	09492-30010	. JET, PILOT (30)	4	
14	09494-00851	. NEEDLE JET (0-8M)	4	
15	13509-17C00	. O RING	4	
16-1	09491-23017	. JET, MAIN (117.5)	2	LH, RH
16-2	09491-24016	. JET, MAIN (120)	2	ML, MR
17	13370-46E20	. VALVE ASSY, NEEDLE	4	-13370-46E10
18	13250-12E00	. FLOAT ASSY	4	
19	13374-46710	. O RING	4	
20	13374-44080	. O RING	4	
21	02112-75163	. SCREW	8	
22	02112-05127	. SCREW	8	
23	13508-17C00	. CAP	4	
24	13671-05A40	. CLIP	3	LH, ML, RH
25	13247-13A00	. SCREW, DRAIN	4	

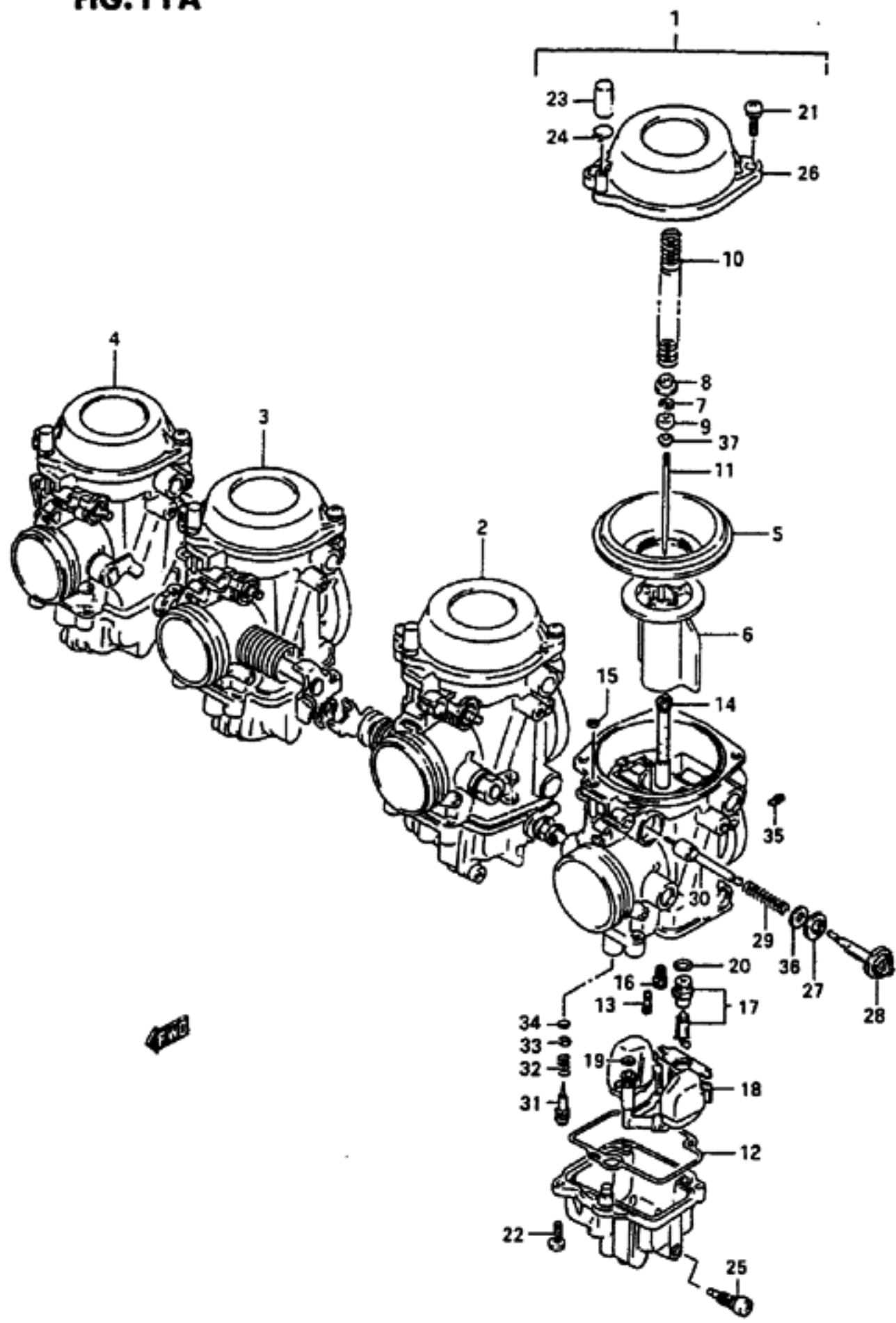
GSX-R1100RW E28

AIR CLEANER.....	C-11	CONVING BODY.....	I-04	FRAME COVER.....	H-02	FUEL TANK.....	G-09	MUFFLER.....	D-02	REAR MASTER CYLINDER	L-11	STEERING DAMPER.....	K-05
ALTERNATOR.....	E-11	CRANKCASE COVER.....	B-09	FRAME.....	G-02	GEAR SHIFTING.....	E-08	OIL COOLER.....	D-04	REAR SWINGING ARM..	L-02	STEERING STEM.....	K-04
BATTERY.....	F-02	CRANKCASE.....	B-06	FRONT BRAKE HOSE...	K-10	HANDLE LEVER.....	H-16	OIL PAN - OIL PUMP..	B-10	REAR WHEEL.....	L-06	TAIL LAMP.....	F-10
CAN CHAIN.....	C-04	CRANKSHAFT.....	B-12	FRONT CALIPERS.....	K-08	HANDLE SWITCH.....	F-13	OPTIONAL.....	L-15	SEAT.....	J-05	TRANSMISSION.....	E-06
CAN SHAFT - VALVE..	C-02	CYLINDER HEAD COVER	B-02	FRONT DAMPER.....	K-02	HANDLEBAR.....	H-14	RADIATOR HOSE.....	D-07	SIGNAL GENERATOR...	E-15	TURN SIGNAL LAMP...	F-09
CARBURETOR FITTINGS	C-09	CYLINDER HEAD.....	B-03	FRONT FENDER.....	H-13	HEADLAMP.....	F-07	RADIATOR.....	D-06	SPEEDOMETER.....	F-04	WATER PUMP.....	D-05
CARBURETOR.....	C-05	CYLINDER.....	B-05	FRONT MASTER CYLIND	K-12	INSTALLATION PARTS..	I-08	REAR CALIPER.....	L-09	STAND.....	G-04	WIRING HARNESS.....	F-11
CLUTCH MASTER CYLIN	K-14	ELECTRICAL.....	F-03	FRONT WHEEL.....	K-06	INSTALLATION PARTS..	J-02	REAR CUSHION LEVER..	L-04	STARTER CLUTCH.....	B-14		
CLUTCH.....	E-02	FOOTREST.....	G-05	FUEL COCK.....	G-14	LABEL.....	J-04	REAR FENDER.....	L-02	STARTING MOTOR.....	E-10		

FIG. 11A

C 8

FIG. 11A(C- 8) CARBURETOR (MODEL V/W)



REF. NO.	PART NO.	DESCRIPTION	Q'TY	REMARKS
26	13502-41C00	.COVER, DIAPHRAGM	4	
27	13418-17C00	.CAP, STARTER	4	
28	13418-17C10	.HOLDER	4	
29	13417-26D00	.SPRING	4	
30	13411-05320	.PLUNGER ASSY	4	
31	13279-47070	.SCREW, AIR (2 1/8)	4	
32	13268-47070	.SPRING	4	
33	13291-29900	.WASHER	4	
34	13295-29900	.O RING	4	
35	09493-24007	.JET, AIR (1.2)	4	
36	13432-47090	.WASHER	4	
37	13382-44030	.WASHER	4	

GSX-R1100WV E28

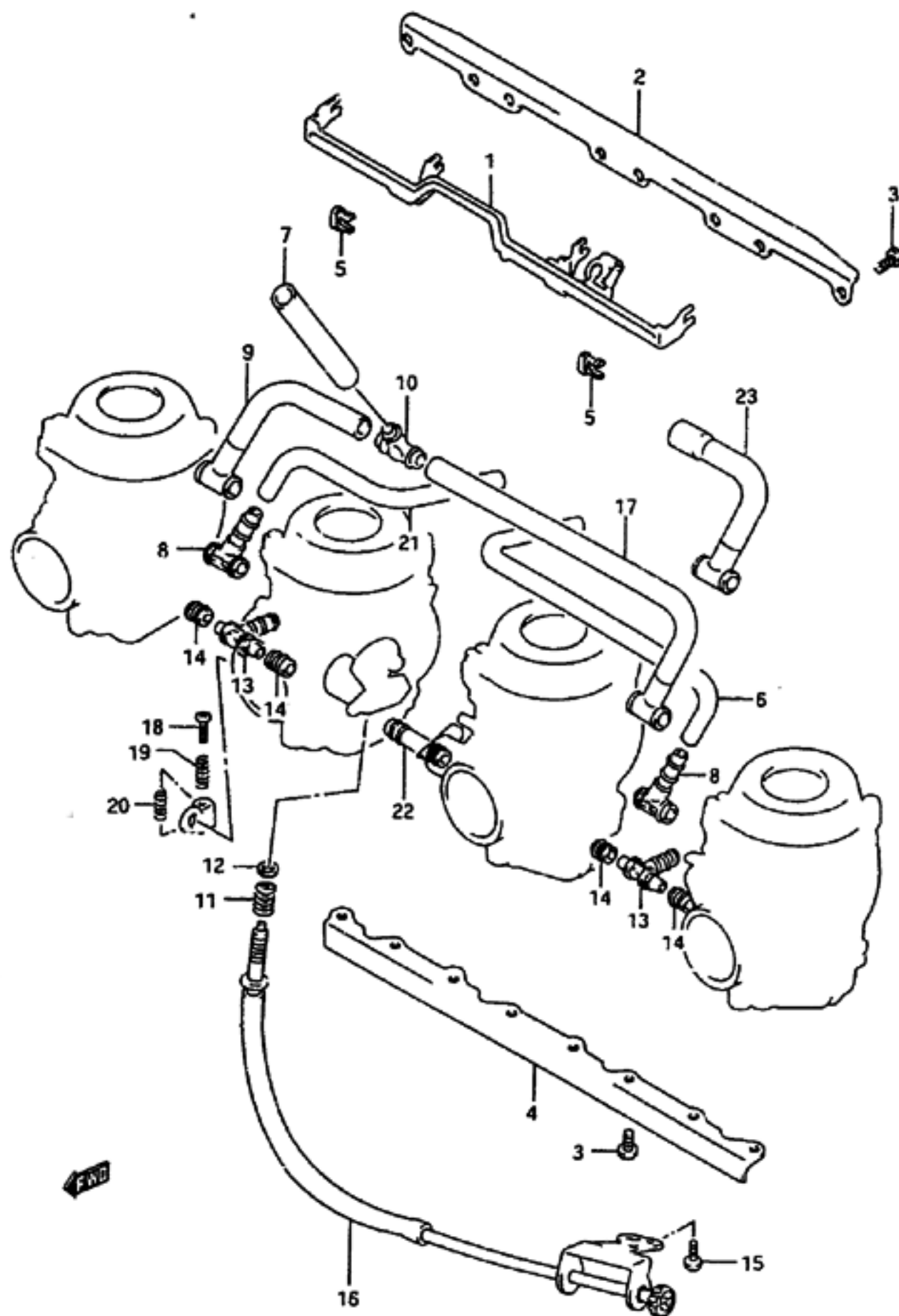
20

AIR CLEANER.....	C-11	CONLING BODY.....	I-04	FRAME COVER.....	H-02	FUEL TANK.....	G-09	MUFFLER.....	D-02	REAR MASTER CYLINDER	L-11	STEERING DAMPER.....	K-05
ALTERNATOR.....	E-11	CRANKCASE COVER.....	B-09	FRAME.....	G-02	GEAR SHIFTING.....	E-08	OIL COOLER.....	D-04	REAR SWINGING ARM..	L-02	STEERING STEN.....	K-04
BATTERY.....	F-02	CRANKCASE.....	B-06	FRONT BRAKE HOSE...	K-10	HANDLE LEVER.....	H-16	OIL PAN - OIL PUMP..	B-10	REAR WHEEL.....	L-06	TAIL LAMP.....	F-10
CAN CHAIN.....	C-04	CRANKSH'FT.....	B-12	FRONT CALIPERS.....	K-08	HANDLE SWITCH.....	F-13	OPTIONAL.....	L-13	SEAT.....	J-05	TRANSMISSION.....	E-06
CAN SHAFT - VALVE..	C-02	CYLINDER HEAD COVER	B-02	FRONT DAMPER.....	K-02	HANDLEBAR.....	H-14	RADIATOR HOSE.....	D-07	SIGNAL GENERATOR...	E-15	TURN SIGNAL LAMP....	F-09
CARBURETOR FITTINGS	C-09	CYLINDER HEAD.....	B-03	FRONT FENDER.....	H-13	HEADLAMP.....	F-07	RADIATOR.....	D-06	SPEEDOMETER.....	F-04	WATER PUMP.....	D-05
CARBURETOR.....	C-05	CYLINDER.....	B-05	FRONT MASTER CYLIND	K-12	INSTALLATION PARTS..	I-08	REAR CALIPER.....	L-09	STAND.....	G-04	WIRING HARNESS.....	F-11
CLUTCH MASTER CYLIN	K-14	ELECTRICAL.....	F-03	FRONT WHEEL.....	K-06	INSTALLATION PARTS..	J-02	REAR CUSHION LEVER..	L-04	STARTER CLUTCH.....	B-14		
CLUTCH.....	E-02	FOOTREST.....	G-05	FUEL COCK.....	G-14	LABEL.....	J-04	REAR FENDER.....	I-02	STARTING MOTOR.....	E-10		

FIG. 12

C 9

FIG. 12 (C- 9) CARBURETOR FITTINGS (MODEL P/R/S/T)



REF. NO.	PART NO.	DESCRIPTION	Q'TY	REMARKS
1	13413-17E00	LEVER, STARTER	1	
2	13628-17E10	PLATE	1	
3-1	13602-05128	SCREW	16	MODEL P/R
3-2	02112-05127	SCREW	16	MODEL S/T
4	13628-17E00	PLATE	1	
5	13439-17C00	HOLDER	2	
6	13683-17E00	HOSE	1	
7	13683-46E00	HOSE	1	MODEL P/R
8	13684-20C10	HOSE	2	
9	13680-17E10	HOSE ASSY	1	MODEL P/R
10	13685-17E00	NIPPLE	1	MODEL P/R
11	13375-60A00	SPRING	1	
12	13427-38300	WASHER	1	
13	13685-44B00	NIPPLE	2	
14	13673-44B00	SEAL	4	
15-1	13602-05108	SCREW	1	MODEL P/R
15-2	02112-05107	SCREW	1	MODEL S/T
16	13279-17E00	ADJUSTER ASSY	1	
17	13680-17E00	HOSE ASSY	1	MODEL P/R
18	13267-44B00	SCREW	3	
19	13271-44B00	SPRING	3	
20	13268-17C10	SPRING	3	
21	13683-17E20	HOSE	1	
22	13685-46E00	NIPPLE ASSY	1	MODEL S/T
23	13680-46E00	HOSE ASSY	2	MODEL S/T

REFER TO FIG. 12A(C-10) FOR MODEL V/W

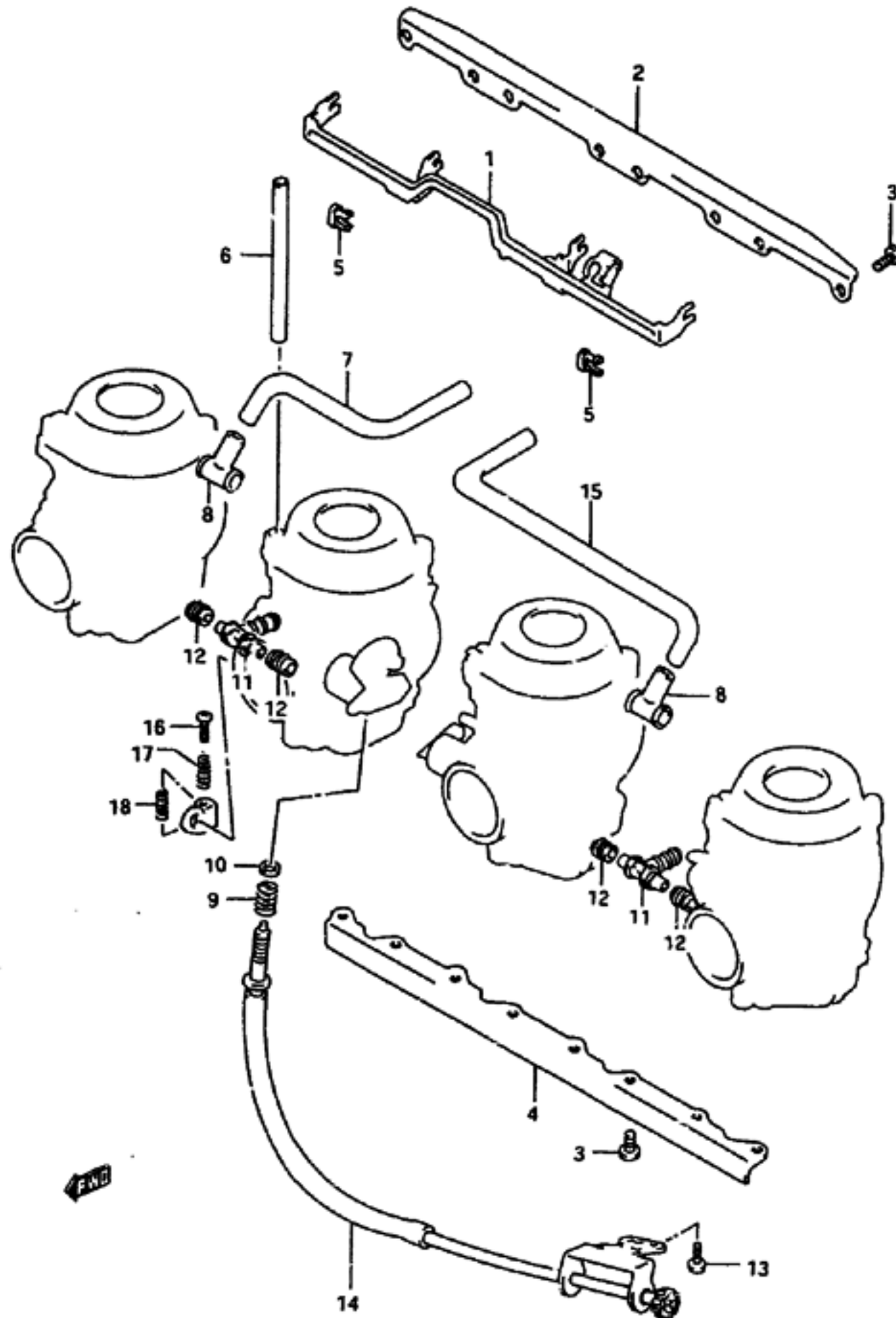
GSX-R1100NW E28

AIR CLEANER..... C-11	COMLING BODY..... I-04	FRAME COVER..... H-02	FUEL TANK..... G-09	MUFFLER..... D-02	REAR MASTER CYLINDER..... L-11	STEERING DAMPER..... K-05
ALTERNATOR..... E-11	CRANKCASE COVER..... B-09	FRAME..... G-02	GEAR SHIFTING..... E-08	OIL COOLER..... D-04	REAR SWINGING ARM..... L-02	STEERING STEM..... K-04
BATTERY..... F-02	CRANKCASE..... B-06	FRONT BRAKE HOSE..... K-10	HANDLE LEVER..... H-16	OIL PAN - OIL PUMP..... B-10	REAR WHEEL..... L-06	TAIL LAMP..... F-10
CAN CHAIN..... C-04	CRANKSHAFT..... B-12	FRONT CALIPERS..... K-08	HANDLE SWITCH..... F-13	OPTIONAL..... L-13	SEAT..... J-05	TRANSMISSION..... E-06
CAN SHAFT - VALVE.. C-02	CYLINDER HEAD COVER B-02	FRONT DAMPER..... K-02	HANDLEBAR..... H-14	RADIATOR HOSE..... D-07	SIGNAL GENERATOR... E-15	TURN SIGNAL LAMP... F-09
CARBURETOR FITTINGS C-09	CYLINDER HEAD..... B-05	FRONT FENDER..... H-13	HEADLAMP..... F-07	RADIATOR..... D-06	SPEEDOMETER..... F-04	WATER PUMP..... D-05
CARBURETOR..... C-05	CYLINDER..... B-05	FRONT MASTER CYLIND K-12	INSTALLATION PARTS. I-08	REAR CALIPER..... L-09	STAND..... G-04	WIRING HARNESS..... F-11
CLUTCH MASTER CYLIN K-14	ELECTRICAL..... F-03	FRONT WHEEL..... K-06	INSTALLATION PARTS. J-02	REAR CUSHION LEVER. L-04	STARTER CLUTCH..... B-14	
CLUTCH..... E-02	FOOTREST..... G-05	FUEL COCK..... G-14	LABEL..... J-04	REAR FENDER..... I-02	STARTING MOTOR..... E-10	

FIG.12A

C 10

FIG. 12A(C-10) CARBURETOR FITTINGS (MODEL V/W)



REF. NO.	PART NO.	DESCRIPTION	Q'TY	REMARKS
1	13413-17E00	LEVER, STARTER	1	
2	13628-17E10	PLATE	1	
3	02112-05127	SCREW	10	
4	13628-17E00	PLATE	1	
5	13439-17C00	HOLDER	2	
6	09352-50903-600	HOSE (L: 600--175)	1	
7	13684-17E10	HOSE ASSY	1	
8	13684-20C10	HOSE	2	
9	13375-14D10	SPRING	1	
10	13427-38300	WASHER	1	
11	13685-44B00	NIPPLE	2	
12	13673-44B00	SEAL	4	
13	02112-05107	SCREW	1	
14	13279-17E00	ADJUSTER ASSY	1	
15	13684-17E00	HOSE ASSY	1	
16	13267-44B00	SCREW	3	
17	13271-44B00	SPRING	3	
18	13268-17C10	SPRING	3	

GSX-R1100W E28

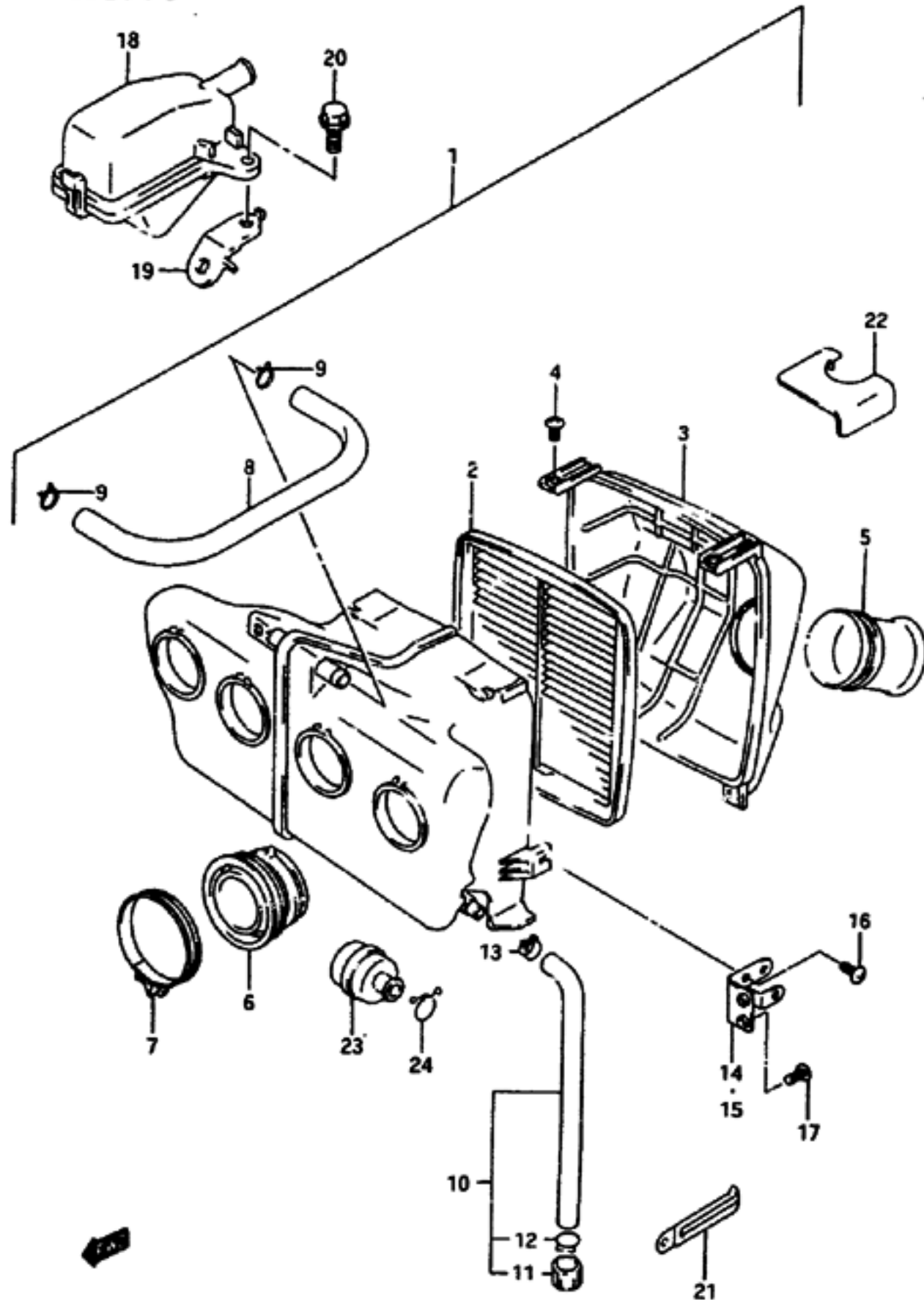
22

AIR CLEANER..... C-11	COYLING BODY..... I-04	FRAME COVER..... H-02	FUEL TANK..... G-09	MUFFLER..... D-02	REAR MASTER CYLIND L-11	STEERING DAMPER..... K-05
ALTERNATOR..... E-11	CRANKCASE COVER... B-09	FRAME..... G-02	GEAR SHIFTING..... E-08	OIL COOLER..... D-04	REAR SWINGING ARM.. L-02	STEERING STEN..... K-04
BATTERY..... F-02	CRANKCASE..... B-06	FRONT BRAKE HOSE... K-10	HANDLE LEVER..... H-16	OIL PAN - OIL PUMP. B-10	REAR WHEEL..... L-06	TAIL LAMP..... F-18
CAM CHAIN..... C-04	CRANKSHAFT..... B-12	FRONT CALIPERS..... K-08	HANDLE SWITCH..... F-13	OPTIONAL..... L-13	SEAT..... J-05	TRANSMISSION..... E-06
CAM SHAFT - VALVE.. C-02	CYLINDER HEAD COVER B-02	FRONT DAMPER..... K-02	HANDLEBAR..... H-14	RADIATOR HOSE..... D-07	SIGNAL GENERATOR... E-15	TURN SIGNAL LAMP... F-09
CARBURETOR FITTINGS C-09	CYLINDER HEAD..... B-03	FRONT FENDER..... H-13	HEADLAMP..... F-07	RADIATOR..... D-04	SPEEDOMETER..... F-04	WATER PUMP..... D-05
CARBURETOR..... C-05	CYLINDER..... B-05	FRONT MASTER CYLIND K-12	INSTALLATION PARTS. I-08	REAR CALIPER..... L-09	STAND..... G-04	WIRING HARNESS..... F-11
CLUTCH MASTER CYLIN K-14	ELECTRICAL..... F-03	FRONT MHEEL..... K-06	INSTALLATION PARTS. J-02	REAR CUSHION LEVER. L-04	STARTER CLUTCH..... B-14	
CLUTCH..... E-02	FOOTREST..... G-05	FUEL COCK..... G-14	LABEL..... J-04	REAR FENDER..... I-02	STARTING MOTOR..... E-19	

FIG. 13

C 11

FIG. 13 (C-11) AIR CLEANER



REF. NO.	PART NO.	DESCRIPTION	Q'TY	REMARKS
1-1	13700-46E01	CLEANER ASSY, AIR	1	MODEL P/R/S/T
1-2	13700-46E11	CLEANER ASSY, AIR	1	MODEL V/W
2	13780-17E00	.FILTER AIR	1	
3-1	13740-46E00	.CAP, AIR CLEANER	1	MODEL P/R
3-2	13740-46E01	.CAP, AIR CLEANER	1	MODEL S/T
3-3	13740-17E02	.CAP, AIR CLEANER	1	MODEL V/W
4-1	02142-05124	.SCREW	2	MODEL P/R
4-2	02142-05123	.SCREW	2	MODEL S/T/V/W
5-1	13891-46E00	.TUBE, INLET	1	MODEL P/R/S/T
5-2	13891-17E00	.TUBE, INLET	1	MODEL V/W
6-1	13881-46E00	.TUBE, OUTLET	4	MODEL P/R/S/T
6-2	13881-46E10	.TUBE, OUTLET	4	MODEL V/W
7-1	09402-64208	.CLAMP	4	MODEL P/R
7-2	09402-64203	.CLAMP	4	MODEL S/T
7-3	09402-68208	.CLAMP	4	MODEL V/W
8	13853-46E00	.TUBE, BREATHER	1	
9-1	13824-48B10	.CLIP	2	MODEL P/R
9-2	09401-16401	.CLIP	2	MODEL S/T/V/W
10	13870-21458	.TUBE, DRAIN	1	
11	13877-38A00	..STOPPER, DRAIN	1	
12-1	13824-18910	..CLIP	1	MODEL P/R
12-2	09401-11101	..CLIP	1	MODEL S/T/V/W
13-1	13325-43400	.CLIP	1	MODEL P/R
13-2	09401-13417	.CLIP	1	MODEL S/T/V/W -09401-13413
14	13780-17E00	BRACKET, AIR CLEANER RH	1	
15	13770-17E00	BRACKET, AIR CLEANER LH	1	
16-1	02142-06126	SCREW	2	MODEL P/R
16-2	02142-06123	SCREW	2	MODEL S/T/V/W
17-1	02142-06166	SCREW	4	MODEL P/R
17-2	02142-06163	SCREW	4	MODEL S/T/V/W
18	13800-17E00	CLEANER ASSY, AIR NO. 2	1	MODEL P/R
19	13750-17E00	BRACKET, AIR CLEANER NO. 2	1	MODEL P/R
20-1	01517-06164	BOLT	1	MODEL P
20-2	01550-06163	BOLT	1	MODEL R

GSX-R1100WW E28

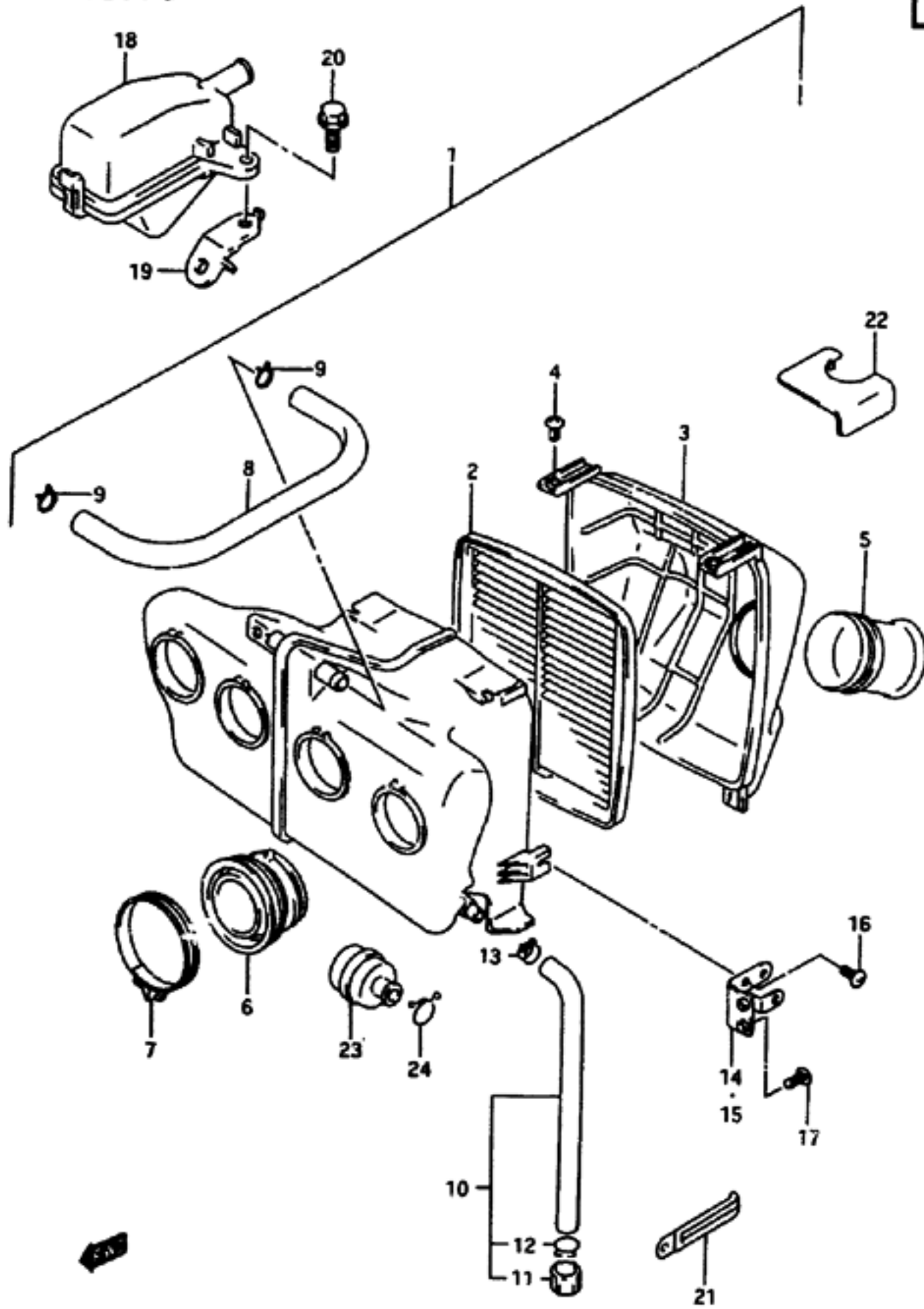
AIR CLEANER.....	C-11	COMING BODY.....	I-04	FRAME COVER.....	H-02	FUEL TANK.....	G-09	MUFFLER.....	D-02	REAR MASTER CYLINDER	L-11	STEERING DAMPER.....	K-05
ALTERNATOR.....	E-11	CRANKCASE COVER.....	B-09	FRAME.....	G-02	GEAR SHIFTING.....	E-08	OIL COOLER.....	D-04	REAR SWINGING ARM..	L-02	STEERING STEM.....	K-04
BATTERY.....	F-02	CRANKCASE.....	B-04	FRONT BRAKE HOSE.....	K-10	HANDLE LEVER.....	H-16	OIL PAN - OIL PUMP..	B-10	REAR WHEEL.....	L-06	TAIL LAMP.....	F-10
CAN CHAIN.....	C-04	CRANKSHAFT.....	B-12	FRONT CALIPERS.....	K-08	HANDLE SWITCH.....	F-13	OPTIONAL.....	L-13	SEAT.....	J-05	TRANSMISSION.....	E-06
CAN SHAFT - VALVE..	C-02	CYLINDER HEAD COVER	B-02	FRONT DAMPER.....	K-02	HANDLEBAR.....	H-14	RADIATOR HOSE.....	D-07	SIGNAL GENERATOR...	E-15	TURNSIGNAL LAMP....	F-09
CARBURETOR FITTINGS	C-09	CYLINDER HEAD.....	B-03	FRONT FENDER.....	H-13	HEADLAMP.....	F-07	RADIATOR.....	D-06	SPEEDOMETER.....	F-04	WATER PUMP.....	D-05
CARBURETOR.....	C-05	CYLINDER.....	B-05	FRONT MASTER CYLIND	K-12	INSTALLATION PARTS..	I-08	REAR CALIPER.....	L-09	STAND.....	G-04	WIRING HARNESS.....	F-11
CLUTCH MASTER CYLIN	K-14	ELECTRICAL.....	F-03	FRONT WHEEL.....	K-06	INSTALLATION PARTS..	J-02	REAR CUSHION LEVER..	L-04	STARTER CLUTCH.....	B-14		
CLUTCH.....	E-02	FOOTREST.....	G-05	FUEL COCK.....	G-14	LABEL.....	J-04	REAR FENDER.....	I-02	STARTING MOTOR.....	E-10		

FIG. 13

C 12

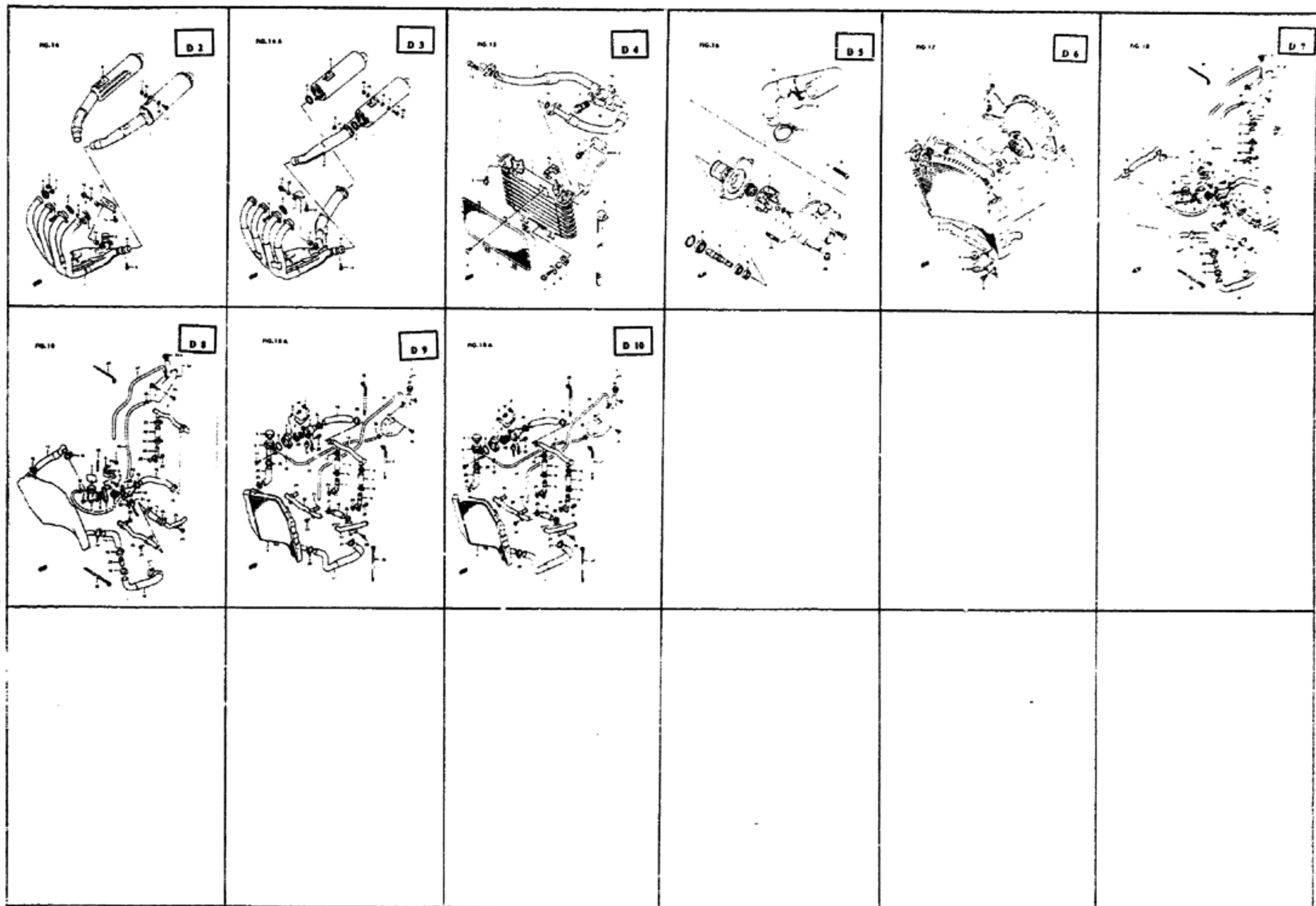
FIG. 13 (C-12) AIR CLEANER

REF. NO.	PART NO.	DESCRIPTION	Q'TY	REMARKS
21-1	09404-06426	CLAMP	1	MODEL P/R
21-2	09404-06433	CLAMP	1	MODEL S/T/V/W
22	13735-46E00	COVER, AIR CLEANER	1	
23	13780-46E00	FILTER, AIR CLEANER NO. 2	2	MODEL S/T
24	09401-16401	CLIP, CARB AIR TUBE	2	MODEL S/T



GSX-R1100W E28

AIR CLEANER.....	C-11	CONKING BODY.....	I-04	FRAME COVER.....	H-02	FUEL TANK.....	C-09	MUFFLER.....	D-02	REAR MASTER CYLINDER	L-11	STEERING DAMPER.....	K-05
ALTERNATOR.....	E-11	CRANKCASE COVER.....	B-09	FRAME.....	G-02	GEAR SHIFTING.....	E-00	OIL COOLER.....	D-04	REAR SWINGING ARM..	L-02	STEERING STEM.....	K-04
BATTERY.....	F-02	CRANKCASE.....	B-06	FRONT BRAKE HOSE...	K-10	HANDLE LEVER.....	H-14	OIL PAN - OIL PUMP..	B-10	REAR WHEEL.....	L-04	TAIL LAMP.....	K-10
CAN CHAIN.....	C-04	CRANKSHAFT.....	B-12	FRONT CALIPERS.....	K-08	HANDLE SWITCH.....	F-13	OPTIONAL.....	L-13	SEAT.....	J-05	TRANSMISSION.....	E-04
CAN SHAFT - VALVE..	C-02	CYLINDER HEAD COVER	B-02	FRONT DAMPER.....	K-02	HANDLEBAR.....	H-14	RADIATOR HOSE.....	D-07	SIGNAL GENERATOR...	E-15	TURNSIGNAL LAMP....	F-09
CARBURETOR FITTINGS	C-09	CYLINDER HEAD.....	B-03	FRONT FENDER.....	H-13	HEADLAMP.....	F-07	RADIATOR.....	D-06	SPEEDOMETER.....	F-04	MAYER PUMP.....	D-05
CARBURETOR.....	C-05	CYLINDER.....	B-05	FRONT MASTER CYLIND	K-12	INSTALLATION PARTS..	I-08	REAR CALIPER.....	L-09	STAND.....	G-04	WIRING HARNESS....	F-11
CLUTCH MASTER CYLIN	K-14	ELECTRICAL.....	F-03	FRONT WHEEL.....	K-06	INSTALLATION PARTS..	J-02	REAR CUSHION LEVER..	L-04	STARTER CLUTCH.....	B-14		
CLUTCH.....	E-02	FOOTREST.....	G-05	FUEL COCK.....	G-14	LABEL.....	J-04	REAR FENDER.....	I-02	STARTING MOTOR.....	G-10		

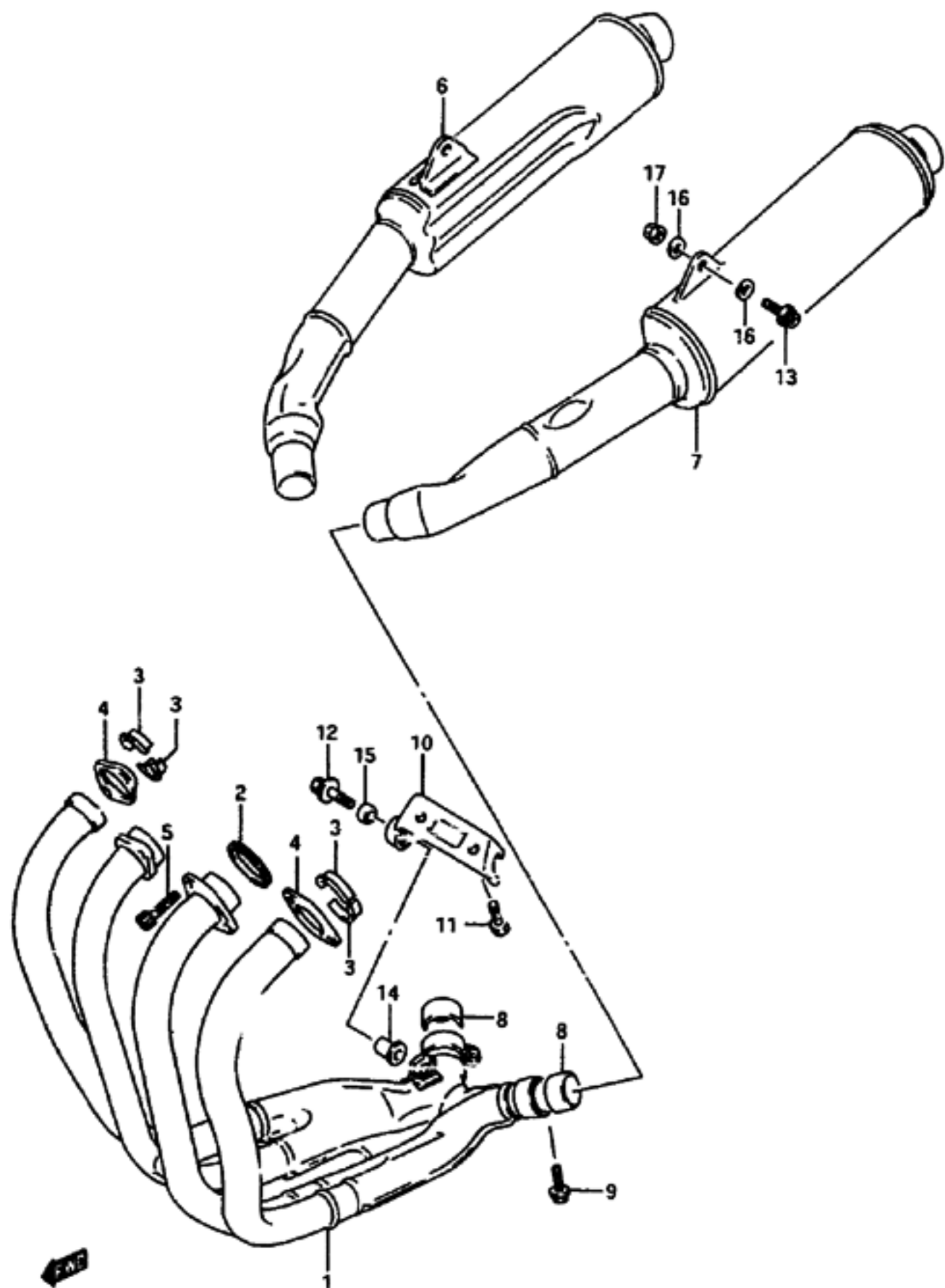


AIR CLEANER.....	C-11	COMLING BODY.....	I-04	FRAME COVER.....	H-02	FUEL TANK.....	G-09	MUFFLER.....	D-02	REAR MASTER CYLINDER	L-11	STEERING DAMPER.....	K-05
ALTERNATOR.....	E-11	CRANKCASE COVER.....	B-09	FRAME.....	G-02	GEAR SHIFTING.....	E-08	OIL COOLER.....	D-04	REAR SWINGING ARM..	L-02	STEERING STEM.....	K-04
BATTERY.....	F-02	CRANKCASE.....	B-06	FRONT BRAKE HOSE...	K-10	HANDLE LEVER.....	H-16	OIL PAN - OIL PUMP..	B-10	REAR WHEEL.....	L-06	TAIL LAMP.....	F-10
CAN CHAIN.....	C-04	CRANKSHAFT.....	B-12	FRONT CALIPERS.....	K-08	HANDLE SWITCH.....	F-13	OPTIONAL.....	L-13	SEAT.....	J-05	TRANSMISSION.....	E-06
CAN SHAFT - VALVE..	C-02	CYLINDER HEAD COVER	B-02	FRONT DAMPER.....	K-02	HANDLEBAR.....	H-14	RADIATOR HOSE.....	D-07	SIGNAL GENERATOR...	E-15	TURNSIGNAL LAMP....	F-09
CARBURETOR FITTINGS	C-09	CYLINDER HEAD.....	B-03	FRONT FENDER.....	H-13	HEADLAMP.....	F-07	RADIATOR.....	D-06	SPEEDOMETER.....	F-04	WATER PUMP.....	D-05
CARBURETOR.....	C-05	CYLINDER.....	B-05	FRONT MASTER CYLIND	K-12	INSTALLATION PARTS..	I-08	REAR CALIPER.....	L-09	STAND.....	G-04	WIRING HARNESS.....	F-11
CLUTCH MASTER CYLIN	K-14	ELECTRICAL.....	F-03	FRONT WHEEL.....	K-06	INSTALLATION PARTS..	J-02	REAR CUSHION LEVER..	L-04	STARTER CLUTCH.....	B-14		
CLUTCH.....	E-02	FOOTREST.....	G-05	FUEL COCK.....	G-14	LABEL.....	J-04	REAR FENDER.....	I-04	STARTING MOTOR.....	E-10		

FIG. 14

D 2

FIG. 14 (D- 2) MUFFLER (MODEL P/R)



REF. NO.	PART NO.	DESCRIPTION	Q'TY	REMARKS
1	14100-46E00	EXHAUST ASSY	1	
2	14181-46E00	GASKET, EXHAUST PIPE	4	
3	14155-27A00	PLATE, EXHAUST PIPE	4	
4	14182-27A00	CLAMP, EXHAUST PIPE	2	
5-1	07130-08255	BOLT	8	MODEL P
5-2	07130-08253	BOLT	8	MODEL R
6-1	14310-46E10	BODY, MUFFLER RH	1	MODEL P
6-2	14310-46E12-H01	BODY, MUFFLER RH	1	MODEL R
7-1	14340-46E10	BODY, MUFFLER LH	1	MODEL P
7-2	14340-46E12-H01	BODY, MUFFLER LH	1	MODEL R
8	14771-46E00	CONNECTOR, MUFFLER	2	
9-1	01517-08407	BOLT	2	MODEL P
9-2	01550-08403	BOLT	2	MODEL R
10	14770-46E00	DAMPER, MUFFLER SUPPORT CENTER	1	
11	09100-08240	BOLT (8X20)	2	
12	09118-08080	BOLT (8X35)	1	
13	09116-10122	BOLT	2	
14	09180-08157	SPACER (8. 6X12X18. 5)	1	
15	09320-12062	CUSHION	1	
16-1	09160-10066	WASHER (10. 5X24X2. 3) BLACK	4	MODEL P
16-2	09160-10505	WASHER (10. 5X24X2. 3) GREEN	4	MODEL R
17-1	08316-16105	NUT	2	MODEL P
17-2	08316-10103	NUT	2	MODEL R

REFER TO FIG. 14A(D- 3) FOR MODEL S/T/V/W

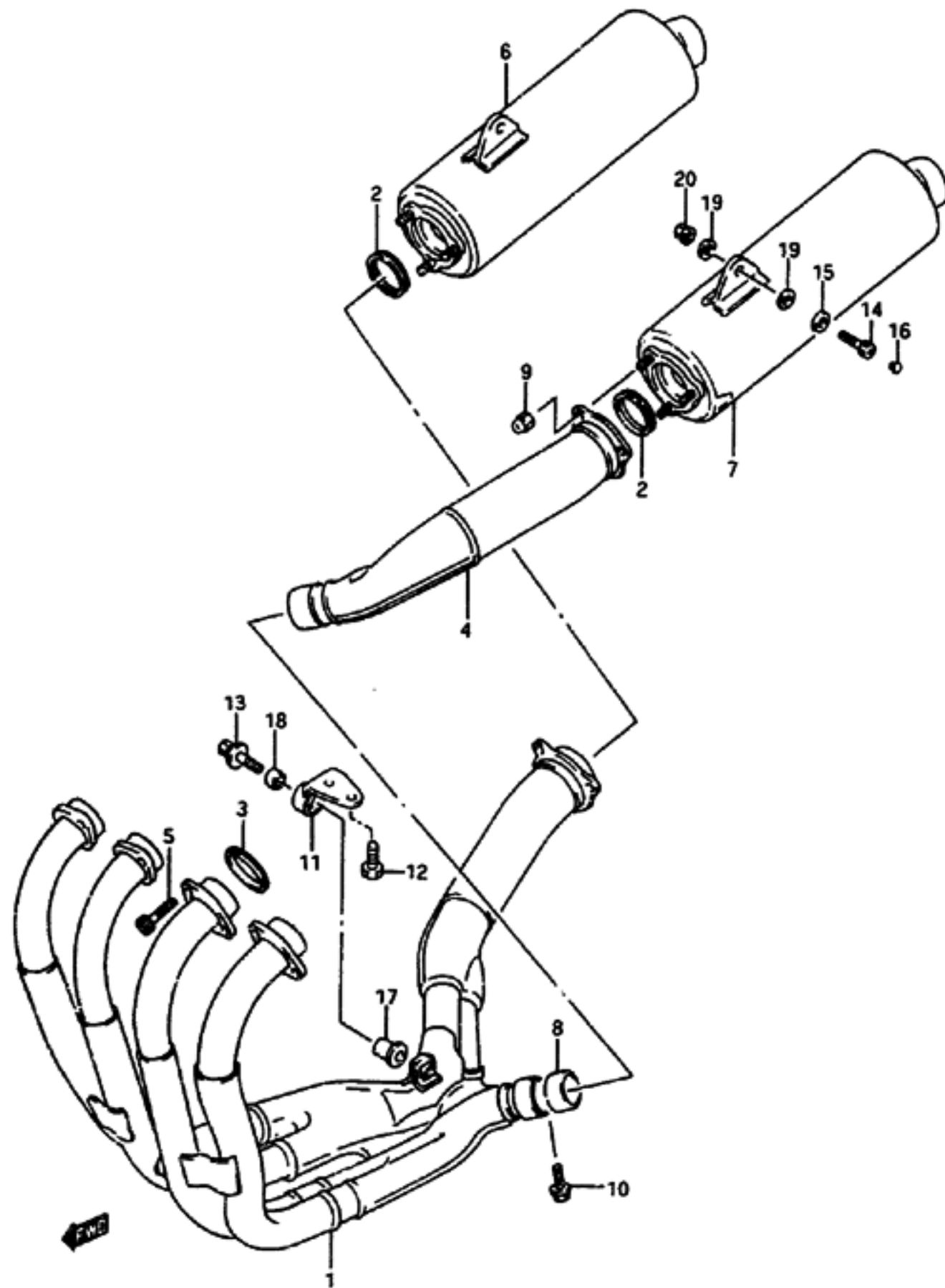
GSX-R1100WW E28

AIR CLEANER.....	C-11	COOLING BODY.....	I-04	FRAME COVER.....	H-02	FUEL TANK.....	G-09	MUFFLER.....	D-02	REAR MASTER CYLINDER.....	L-11	STEERING DAMPER.....	K-05
ALTERNATOR.....	E-11	CRANKCASE COVER.....	B-09	FRAME.....	G-02	REAR SHIFTING.....	E-08	OIL COOLER.....	D-04	REAR SWINGING ARM.....	L-02	STEERING STEM.....	K-04
BATTERY.....	F-02	CRANKCASE.....	B-06	FRONT BRAKE HOSE.....	K-10	HANDLE LEVER.....	H-16	OIL PAN - OIL PUMP.....	B-10	REAR WHEEL.....	L-06	TAIL LAMP.....	F-10
CAN CHAIN.....	C-04	CRANKSHAFT.....	B-12	FRONT CALIPERS.....	K-09	HANDLE SWITCH.....	F-13	OPTIONAL.....	L-13	SEAT.....	J-05	TRANSMISSION.....	E-04
CAN SHAFT - VALVE.....	C-02	CYLINDER HEAD COVER.....	B-02	FRONT DAMPER.....	K-02	HANDLEBAR.....	K-14	RADIATOR HOSE.....	D-07	SIGNAL GENERATOR.....	E-15	TURN SIGNAL LAMP.....	F-09
CARBURETOR FITTINGS.....	C-09	CYLINDER HEAD.....	B-03	FRONT FENDER.....	H-13	HEADLAMP.....	F-07	RADIATOR.....	D-06	SPEEDOMETER.....	F-04	WATER PUMP.....	D-05
CARBURETOR.....	C-05	CYLINDER.....	B-05	FRONT MASTER CYLINDER.....	K-12	INSTALLATION PARTS.....	I-08	REAR CALIPER.....	L-09	STAND.....	G-04	WIRING HARNESS.....	F-11
CLUTCH MASTER CYLINDER.....	K-14	ELECTRICAL.....	F-03	FRONT WHEEL.....	K-06	INSTALLATION PARTS.....	J-02	REAR CUSHION LEVER.....	L-04	STARTER CLUTCH.....	B-14		
CLUTCH.....	E-02	FOOTREST.....	C-05	FUEL COCK.....	G-14	LABEL.....	J-04	REAR FENDER.....	I-02	STARTING ROTOR.....	E-19		

FIG. 14 A

D 3

FIG. 14A(D- 3) MUFFLER (MODEL S/T/V/W)



REF. NO.	PART NO.	DESCRIPTION	Q'TY	REMARKS
1	14100-46E50	EXHAUST ASSY	1	
2	14181-31E00	GASKET, MUFFLER JOINT	2	
3	14181-46E00	GASKET, EXHAUST PIPE	4	
4	14240-46E50	PIPE, JOINT LH	1	
5	07130-08253	BOLT	8	
6	14310-46E50-H01	BODY, MUFFLER RH	1	
7	14340-46E50-H01	BODY, MUFFLER LH	1	
8	14771-46E00	CONNECTOR, MUFFLER	1	
9	09159-08101	NUT, MUFFLER JOINT	6	
10	01550-08403	BOLT	2	
11	14770-46E50	DAMPER, MUFFLER SUPPORT CENTER	1	
12	09100-08240	BOLT (8X20)	2	
13	09118-08068	BOLT (8X40)	1	
14	07130-10407	BOLT	2	
15	09160-10127	WASHER	2	-09160-10095
16	09250-08012	CAP	2	
17	09180-08157	SPACER (8. 8X12X18. 5)	1	
18	09320-12062	CUSHION	1	
19	09160-10505	WASHER (10. 5X24X2. 3) GREEN	4	
20	08316-10103	NUT	2	

GSX-R1100WV E28

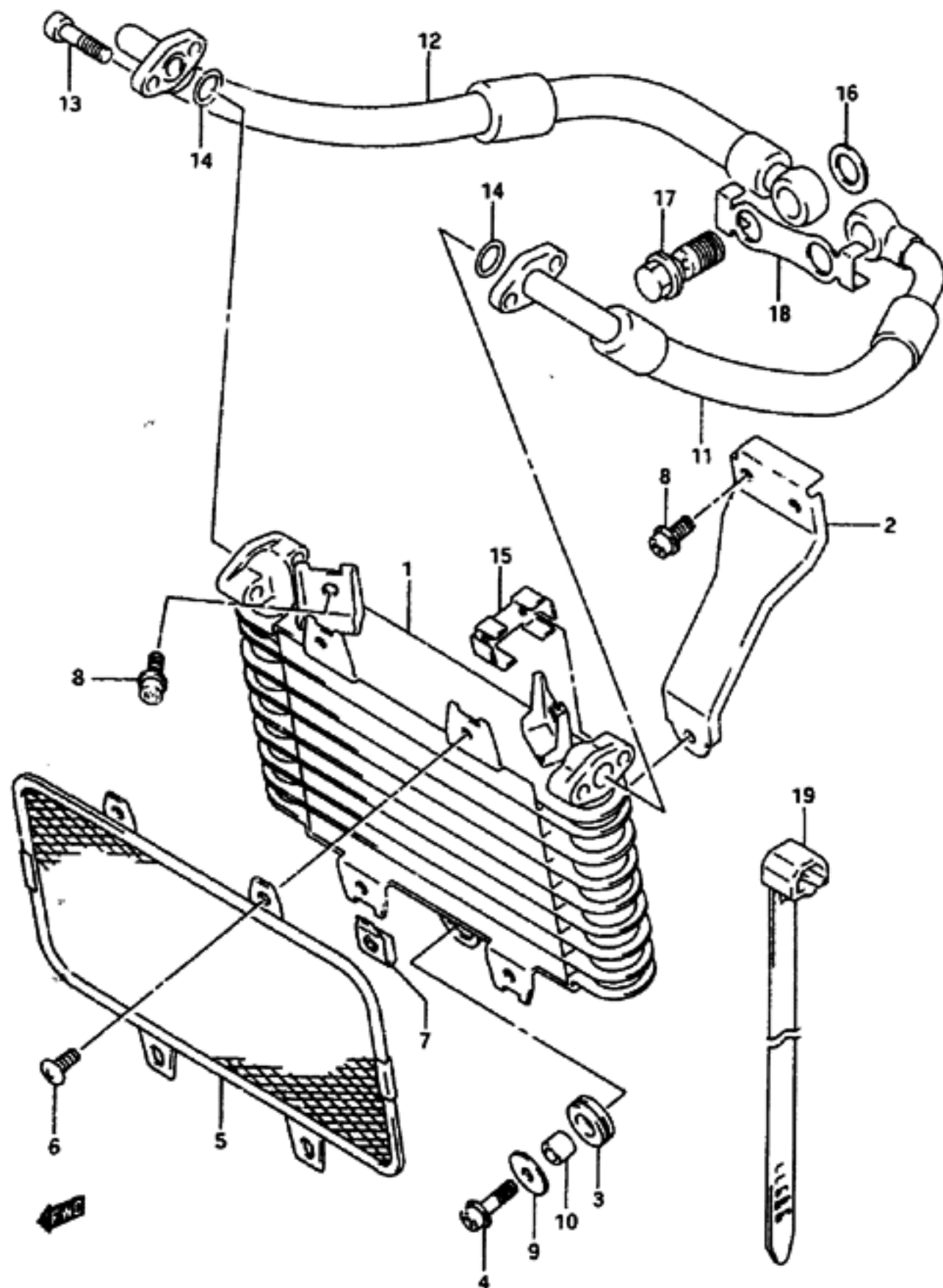
28

AIR CLEANER..... C-11	COILING BODY..... I-04	FRAME COVER..... H-02	FUEL TANK..... G-09	MUFFLER..... D-92	REAR MASTER CYLINDER..... L-11	STEERING DAMPER..... K-05
ALTERNATOR..... E-11	CRANKCASE COVER..... B-09	FRAME..... G-02	GEAR SHIFTING..... E-08	OIL COOLER..... D-04	REAR SWINGING ARM..... L-02	STEERING STEM..... K-04
BATTERY..... F-02	CRANKCASE..... B-06	FRONT BRAKE HOSE..... K-10	HANDLE LEVER..... H-14	OIL PAN - OIL PUMP..... B-10	REAR WHEEL..... L-06	TAIL LAMP..... F-10
CAM CHAIN..... C-04	CRANKSHAFT..... B-12	FRONT CALIPERS..... K-08	HANDLE SWITCH..... F-13	OPTIONAL..... L-13	SEAT..... J-05	TRANSMISSION..... E-04
CAM SHAFT - VALVE..... C-02	CYLINDER HEAD COVER..... B-02	FRONT DAMPER..... K-02	HANDLER..... H-14	RADIATOR HOSE..... D-07	SIGNAL GENERATOR..... E-15	TURNSIGNAL LAMP..... F-09
CARBURETOR FITTINGS..... C-09	CYLINDER HEAD..... B-03	FRONT FENDER..... H-13	HEADLAMP..... F-07	RADIATOR..... D-04	SPEEDOMETER..... F-04	WATER PUMP..... D-05
CARBURETOR..... C-05	CYLINDER..... B-05	FRONT MASTER CYLINDER..... K-12	INSTALLATION PARTS..... I-08	REAR CALIPER..... L-09	STAND..... G-04	WIRING HARNESS..... F-11
CLUTCH MASTER CYLINDER..... K-14	ELECTRICAL..... F-03	FRONT WHEEL..... K-04	INSTALLATION PARTS..... J-02	REAR CUSHION LEVER..... L-04	STARTER CLUTCH..... B-14	
CLUTCH..... E-02	FOOTREST..... C-05	FUEL COCK..... G-14	LABEL..... J-04	REAR FENDER..... I-02	STARTING MOTOR..... E-10	

FIG. 15

D 4

FIG. 15 (D- 4) OIL COOLER



REF. NO.	PART NO.	DESCRIPTION	Q'TY	REMARKS
1-1	16600-46E00	COOLER ASSY, OIL	1	~F. NO. 100325 -16600-46E01 W/07130-06305 (4PCS)
1-2	16600-46E01	COOLER ASSY, OIL	1	F. NO. 100326~
2	16620-46E00	BRACKET, LOWER	1	
3	09320-10015	CUSHION	1	
4-1	07120-06255	BOLT	1	MODEL P
4-2	07130-06253	BOLT	1	MODEL R/S/T/V/W
5	16650-46E00	GUARD, OIL COOLER	1	
6-1	02142-05084	SCREW	4	MODEL P
6-2	02142-05083	SCREW	4	MODEL R/S/T/V/W
7-1	09148-05023	NUT	4	MODEL P/R
7-2	09148-05021	NUT	4	MODEL S/T/V/W
8-1	07120-06125	BOLT	4	MODEL P
8-2	07120-06123	BOLT	4	MODEL R/S/T/V/W
9-1	09160-06038	WASHER	1	MODEL P/R
9-2	09160-06077	WASHER	1	MODEL S/T/V/W
10-1	09180-06030	SPACER (6. 8X10X10)	1	~F. NO. 101061
10-2	09180-06310	SPACER (6. 5X10X10)	1	F. NO. 101062~
11	16460-46E00	HOSE, OIL COOLER IN	1	
12	16470-46E00	HOSE, OIL COOLER OUT	1	
13-1	07130-06355	BOLT	4	MODEL P ~F. NO. 100325
13-2	07130-06305	BOLT	4	MODEL P F. NO. 100326~
13-3	07130-06253	BOLT	4	MODEL R/S/T/V/W
14	09280-12008	O RING (D:2. 4, ID:12. 3)	2	
15	16590-46E00	NUT, OIL COOLER HOSE	2	~F. NO. 100325
16	09168-16002	GASKET (16X22X2)	2	
17	09360-16002	BOLT (16X32)	2	
18	16481-46E00	GASKET, HOSE UNION	1	
19-1	09407-22404	CLAMP, OIL COOLER HOSE	2	MODEL P/R/S
19-2	09407-25401	CLAMP, OIL COOLER HOSE	2	MODEL T/V/W

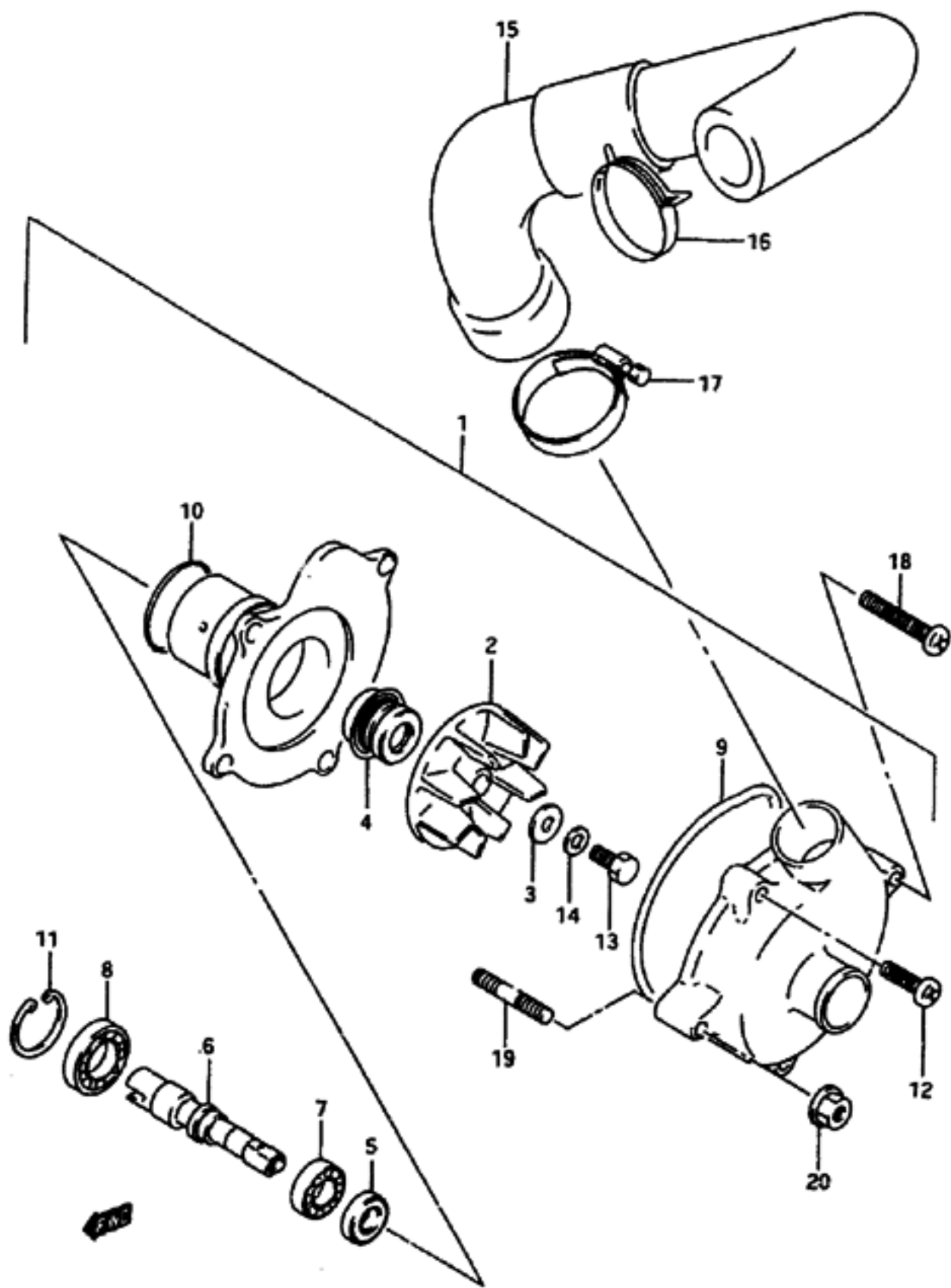
GSX-R1100WW E28

AIR CLEANER..... C-11	COMLING BODY..... I-04	FRAME COVER..... H-02	FUEL TANK..... G-09	MUFFLER..... D-02	REAR MASTER CYLINDER L-11	STEERING DAMPER..... K-05
ALTERNATOR..... E-11	CRANKCASE COVER..... B-09	FRAME..... G-02	GEAR SHIFTING..... E-08	OIL COOLER..... D-04	REAR SWINGING ARM.. L-02	STEERING STEM..... K-04
BATTERY..... F-02	CRANKCASE..... B-06	FRONT BRAKE HOSE... K-10	HANDLE LEVER..... H-16	OIL PAN - OIL PUMP.. B-10	REAR WHEEL..... L-06	TAIL LAMP..... F-10
CAM CHAIN..... C-04	CRANKSHAFT..... B-12	FRONT CALIPERS..... K-08	HANDLE SWITCH..... F-13	OPTIONAL..... I-13	SEAT..... J-05	TRANSMISSION..... E-06
CAM SHAFT - VALVE.. C-02	CYLINDER HEAD COVER B-02	FRONT DAMPER..... K-02	HANDLEBAR..... H-14	RADIATOR HOSE..... D-07	SIGNAL GENERATOR... E-15	TURN SIGNAL LAMP... F-09
CARBURETOR FITTINGS C-09	CYLINDER HEAD..... B-03	FRONT FENDER..... H-13	HEADLAMP..... F-07	RADIATOR..... D-04	SPEEDOMETER..... F-04	WATER PUMP..... D-05
CARBURETOR..... C-05	CYLINDER..... B-05	FRONT MASTER CYLIND K-12	INSTALLATION PARTS. I-08	REAR CALIPER..... L-09	STAND..... G-04	WIRING HARNESS..... F-11
CLUTCH MASTER CYLIN K-14	ELECTRICAL..... F-03	FRONT WHEEL..... K-06	INSTALLATION PARTS. J-02	REAR CUSHION LEVER. L-04	STARTER CLUTCH..... B-14	
CLUTCH..... E-02	FOOTREST..... G-05	FUEL COCK..... G-14	LABEL..... J-04	REAR FENDER..... I-02	STARTING MOTOR..... E-10	

FIG.16

D 5

FIG.16 (D- 5) WATER PUMP



REF. NO.	PART NO.	DESCRIPTION	Q'TY	REMARKS
1-1	17400-17E00	PUMP ASSY, WATER	1	MODEL P/R
1-2	17400-17E01	PUMP ASSY, WATER	1	MODEL S/T/V/W
2	17491-17E00	. IMPELLER, WATER PUMP	1	
3	09160-08025	. GASKET	1	
4	17470-46A00	. SEAL, MECHANICAL	1	
5-1	17461-38A00	. OIL SEAL	1	MODEL P/R/S
5-2	09283-10004	. OIL SEAL	1	MODEL T/V/W
6-1	17511-17E00	. SHAFT, WATER PUMP	1	MODEL P/R
6-2	17511-17E01	. SHAFT, WATER PUMP	1	MODEL S/T/V/W
7-1	08113-89010	. BEARING	1	MODEL P/R
7-2	09262-10014	. BEARING (10X28X8)	1	MODEL S/T/V/W
8-1	09262-15008	. BEARING (15X28X7)	1	MODEL P/R
8-2	09262-12001	. BEARING (12X28X8)	1	MODEL S/T/V/W
9	17418-33400	. O RING	1	
10	17435-33400	. O RING	1	
11	08331-41286	. CIRCLIP	1	MODEL P/R
12-1	02112-06166	. SCREW	2	MODEL P/R
12-2	02112-06163	. SCREW	2	MODEL S/T/V/W
13	09100-06099	. BOLT (6X13)	1	
14	09164-06006	. LOCK WASHER	1	
15	17854-17E01	HOSE, WATER PUMP OUTLET	1	
16	09401-26404	CLAMP	1	
17-1	09402-33502	CLAMP	1	MODEL P/R
17-2	09402-38511	CLAMP	1	MODEL S/T/V/W
18-1	02112-06357	SCREW	3	MODEL P/R
18-2	02112-06353	SCREW	2	MODEL S/T/V/W
19	09108-06117	BOLT, WATER PUMP FRONT (6X15)	1	MODEL S/T/V/W
20	08316-10063	NUT, WATER PUMP	1	MODEL S/T/V/W

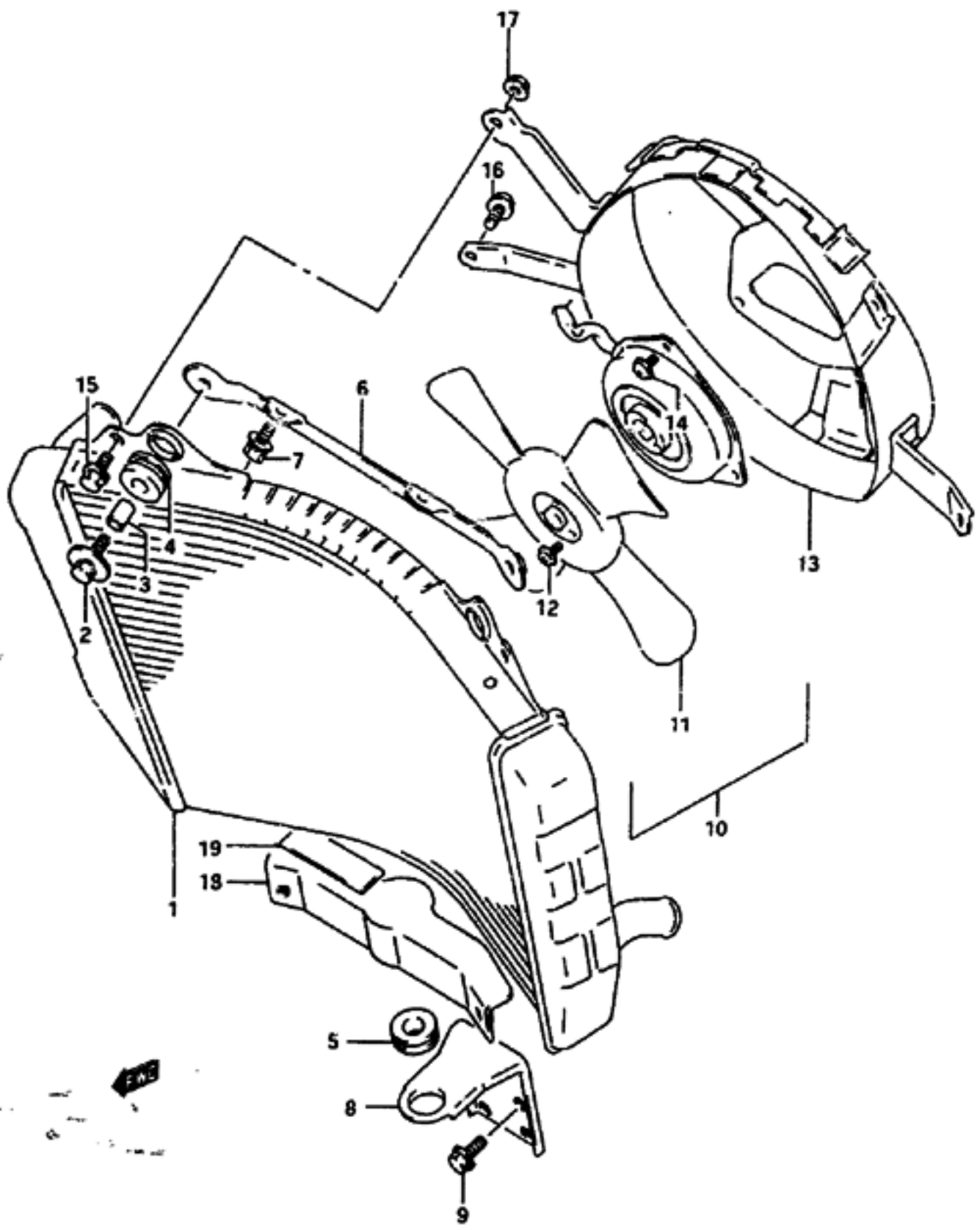
GSX-R1100NW E28

AIR CLEANER.....	C-11	CONKLING BODY.....	I-04	FRAME COVER.....	H-02	FUEL TANK.....	G-09	MUFFLER.....	D-02	REAR MASTER CYLINDER	L-11	STEERING DAMPER.....	K-05
ALTERNATOR.....	E-11	CRANKCASE COVER.....	B-09	FRAME.....	G-02	GEAR SHIFTING.....	E-08	OIL COOLER.....	D-04	REAR SWINGING ARM..	L-02	STEERING STEM.....	K-04
BATTERY.....	F-02	CRANKCASE.....	B-06	FRONT BRAKE HOSE...	K-10	HANDLE LEVER.....	H-16	OIL PAN - OIL PUMP..	B-10	REAR WHEEL.....	L-06	TAIL LAMP.....	F-10
CAN CHAIN.....	C-84	CRANKSHAFT.....	B-12	FRONT CALIPERS.....	K-08	HANDLE SWITCH.....	F-13	OPTIONAL.....	L-13	SEAT.....	J-05	TRANSMISSION.....	E-04
CAN SHAFT - VALVE..	C-82	CYLINDER HEAD COVER	B-02	FRONT DAMPER.....	K-02	HANDLEBAR.....	H-14	RADIATOR HOSE.....	D-07	SIGNAL GENERATOR...	E-15	TURN SIGNAL LAMP...	F-09
CARBURETOR FITTINGS	C-69	CYLINDER HEAD.....	B-03	FRONT FENDER.....	H-13	HEADLAMP.....	F-07	RADIATOR.....	D-06	SPEEDOMETER.....	F-04	WATER PUMP.....	D-05
CARBURETOR.....	C-85	CYLINDER.....	B-05	FRONT MASTER CYLIND	K-12	INSTALLATION PARTS..	I-08	REAR CALIPER.....	L-09	STAND.....	G-04	WIRING HARNESS.....	F-11
CLUTCH MASTER CYLIN	K-14	ELECTRICAL.....	F-03	FRONT WHEEL.....	K-06	INSTALLATION PARTS..	J-02	REAR CUSHION LEVER..	L-04	STARTER CLUTCH.....	B-14		
CLUTCH.....	E-82	FOOTREST.....	G-05	FUEL COCK.....	G-14	LABEL.....	J-04	REAR FENDER.....	I-02	STARTING MOTOR.....	E-10		

FIG.17

D 6

FIG.17 (D- 8) RADIATOR



REF. NO.	PART NO.	DESCRIPTION	Q'TY	REMARKS
1	17710-46E00	RADIATOR ASSY, WATER	1	
2	09116-06147	BOLT (6X25)	2	
3	09180-07004	SPACER (6.5X10.5X12)	2	
4	17787-12A00	CUSHION, RADIATOR UPPER	2	
5	09320-12053	CUSHION, RADIATOR LOWER	1	
6	17740-17E00	BRACKET, RADIATOR UPPER	1	
7-1	01177-06125	BOLT	2	MODEL P
7-2	01580-06163	BOLT	2	MODEL R/S/T/V/W
8	17750-46E00	BRACKET, RADIATOR LOWER	1	
9-1	01174-06165	BOLT	2	MODEL P
9-2	01580-06203	BOLT	2	MODEL R/S/T/V/W
10-1	17800-46E00	FAN ASSY, RADIATOR	1	MODEL P/R
10-2	17800-46E02	FAN ASSY, RADIATOR	1	MODEL S/T/V/W
11	17820-17E00	FAN ASSY	1	
12-1	17801-05A00	BOLT	3	MODEL P/R
12-2	02112-04063	SCREW	3	MODEL S/T/V/W
13	17770-46E00	SHROUD ASSY, FAN	1	
14-1	17801-45C00	SCREW	3	MODEL P/R
14-2	02142-05083	SCREW	3	MODEL S/T/V/W
15-1	01517-06125	BOLT	2	MODEL P
15-2	01550-08123	BOLT	2	MODEL R/S/T/V/W
16-1	01517-06108	BOLT	2	MODEL P
16-2	01550-06103	BOLT	2	MODEL R/S/T/V/W
17-1	08316-16064	NUT	2	MODEL P
17-2	08316-10063	NUT	2	MODEL R/S/T/V/W
18	17760-46E00	BRACKET, RADIATOR LOWER NO.2	1	
19-1	94476-17E00	CUSHION, RADIATOR LOWER	2	MODEL P/R/S
19-2	51553-15D40	CUSHION, RADIATOR LOWER	2	MODEL T/V/W

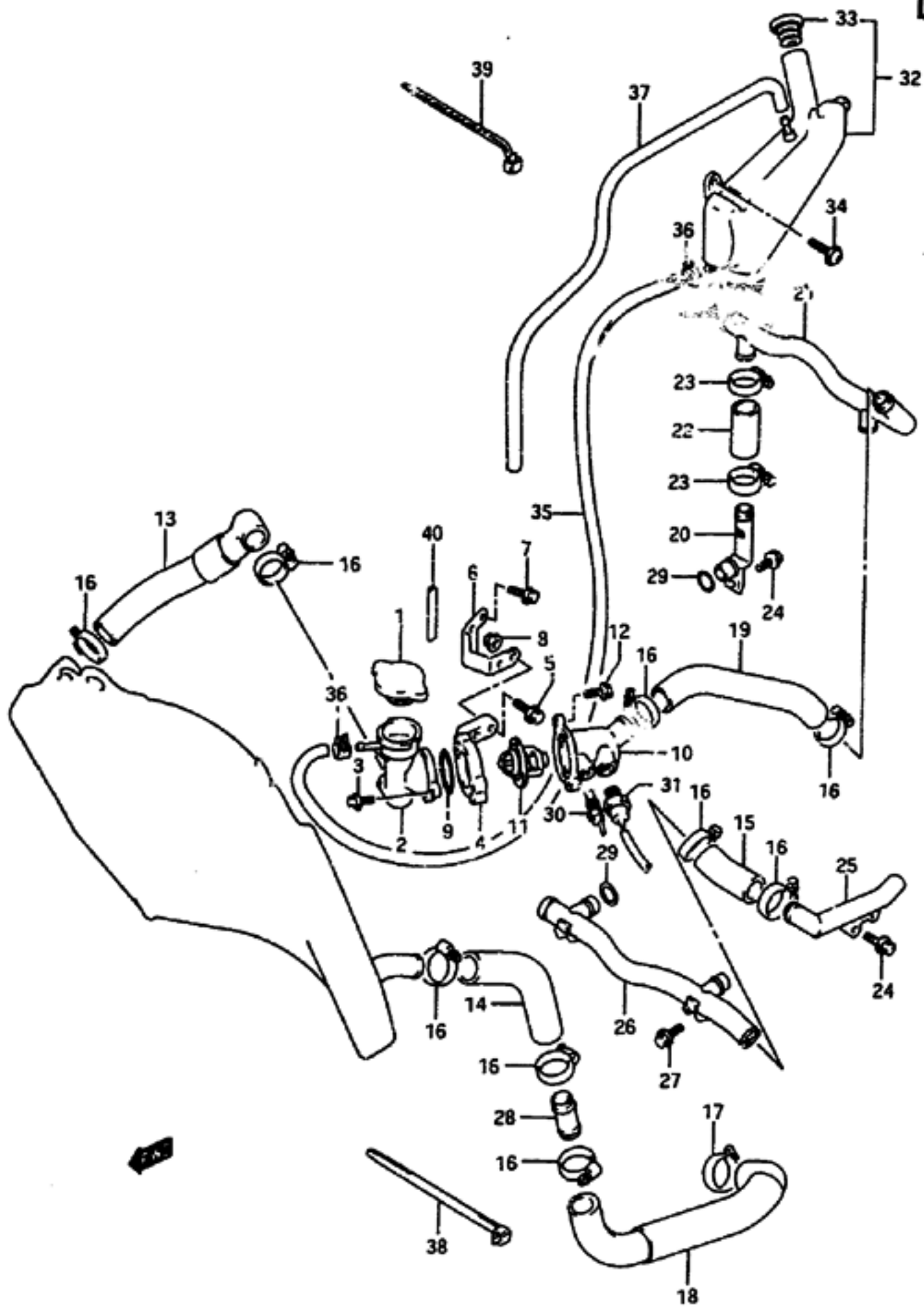
GSX-R1100WW E28

AIR CLEANER.....	C-11	COMING BODY.....	I-04	FRAME COVER.....	H-02	FUEL TANK.....	G-09	MUFFLER.....	D-02	REAR MASTER CYLINDER	L-11	STEERING DAMPER.....	K-05
ALTERNATOR.....	E-11	CRANKCASE COVER.....	B-09	FRAME.....	G-02	GEAR SHIFTING.....	E-08	OIL COOLER.....	D-04	REAR SWINGING ARM..	L-02	STEERING STEM.....	K-04
BATTERY.....	F-02	CRANKCASE.....	B-06	FRONT BRAKE HOSE...	K-10	HANDLE LEVER.....	H-16	OIL PAN - OIL PUMP..	B-10	REAR WHEEL.....	L-06	TAIL LAMP.....	F-10
CAN CHAIN.....	C-04	CRANKSHAFT.....	B-12	FRONT CALIPERS.....	K-08	HANDLE SWITCH.....	F-13	OPTIONAL.....	L-13	SEAT.....	J-05	TRANSMISSION.....	E-06
CAN SHAFT - VALVE..	C-02	CYLINDER HEAD COVER	B-02	FRONT DAMPER.....	K-02	HANDLEBAR.....	H-14	RADIATOR NOSE.....	D-07	SIGNAL GENERATOR...	E-15	TURN SIGNAL LAMP...	F-09
CARBURETOR FITTINGS	C-09	CYLINDER HEAD.....	B-03	FRONT FENDER.....	H-13	HEADLAMP.....	F-07	RADIATOR.....	D-06	SPEEDOMETER.....	F-04	WATER PUMP.....	D-05
CARBURETOR.....	C-05	CYLINDER.....	B-05	FRONT MASTER CYLIND	K-12	INSTALLATION PARTS..	I-08	REAR CALIPER.....	L-09	STAND.....	G-04	WIRING HARNESS.....	F-11
CLUTCH MASTER CYLIN	K-14	ELECTRICAL.....	F-03	FRONT WHEEL.....	K-06	INSTALLATION PARTS..	J-02	REAR CUSHION LEVER..	L-04	STARTER CLUTCH.....	B-14		
CLUTCH.....	E-02	FOOTREST.....	G-05	FUEL COCK.....	G-14	LABEL.....	J-04	REAR FENDER.....	I-02	STARTING MOTOR.....	E-10		

FIG. 18

D 7

FIG. 18 (D- 7) RADIATOR HOSE (MODEL P/R)



REF. NO.	PART NO.	DESCRIPTION	Q'TY	REMARKS
1	17730-12C01	CAP, RADIATOR, 1.1	1	
2	17791-32C00	CONDUCTION, RADIATOR	1	
3	01517-06167	BOLT	2	
4	17792-32C01	BRACKET, CONDUCTION	1	
5-1	01517-06207	BOLT	2	MODEL P
5-2	01500-06203	BOLT	2	MODEL R
6	17793-17E00	BRACKET, CONDUCTION BRACKET	1	
7	01517-06167	BOLT	2	
8-1	09159-06017	NUT	2	MODEL P
8-2	08316-10063	NUT	2	MODEL R
9	09280-44005	O RING (D:2.4, ID:43.2)	1	
10	17662-46E00	CONNECTOR, THERMOSTAT INLET	1	
11	17670-32C01	THERMOSTAT, WATER	1	
12-1	01517-06207	BOLT	2	MODEL P
12-2	01550-06203	BOLT	2	MODEL R
13	17857-17E00	HOSE, RADIATOR INLET	1	
14	17852-17E00	HOSE, RADIATOR OUTLET	1	
15-1	17855-17E01	HOSE, HEAD INLET JOINT	1	MODEL P
15-2	17855-17E02	HOSE, HEAD INLET JOINT	1	MODEL R
16	09402-30502	CLAMP, WATER HOSE	10	
17	09402-33502	CLAMP, WATER HOSE	2	
18	17853-17E00	HOSE, WATER PUMP INLET	1	
19	17856-46E00	HOSE, HEAD OUTLET	1	
20	17880-17E00	PIPE, HEAD OUTLET	2	
21	17840-17E00	PIPE, HEAD OUTLET NO.2	1	
22	17859-17E00	HOSE, JOINT	2	
23	09402-25502	CLAMP	4	
24-1	01517-06125	BOLT	4	
24-2	01550-06123	BOLT	4	
25	17880-17E00	PIPE, CYLINDER SIDE	1	
26	17870-46E00	PIPE, CYLINDER INLET	1	
27	09103-06184	BOLT, CYLINDER INLET	2	

REFER TO FIG. 18A(D- 9) FOR MODEL S/T/V/W

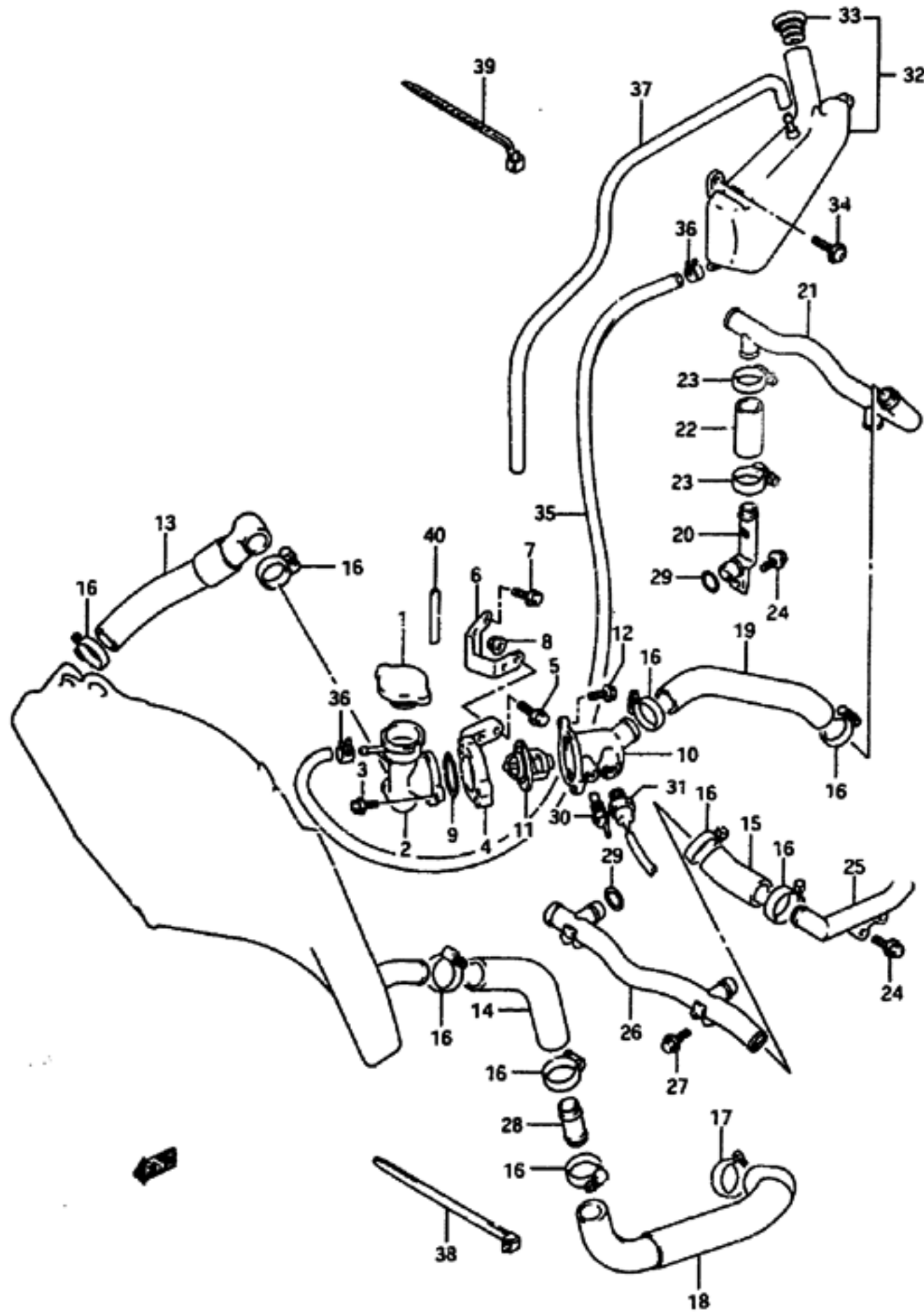
GSX-R1100WW E28

AIR CLEANER.....	C-11	COILING BODY.....	I-04	FRAME COVER.....	H-02	FUEL TANK.....	G-09	MUFFLER.....	D-02	REAR MASTER CYLINDER	L-17	STEERING DAMPER.....	K-05
ALTERNATOR.....	E-11	CRANKCASE COVER.....	B-09	FRAME.....	G-02	GEAR SHIFTING.....	E-08	OIL COOLER.....	D-04	REAR SWINGING ARM...	L-02	STEERING STEM.....	K-04
BATTERY.....	F-02	CRANKCASE.....	B-06	FRONT BRAKE HOSE...	K-10	HANDLE LEVER.....	H-16	OIL PAN - OIL PUMP.	B-19	REAR WHEEL.....	L-06	TAIL LAMP.....	F-10
CAM CHAIN.....	C-04	CRANKSHAFT.....	B-12	FRONT CALIPERS.....	K-08	HANDLE SWITCH.....	F-13	OPTIONAL.....	L-13	SEAT.....	J-05	TRANSMISSION.....	E-04
CAM SHAFT - VALVE..	C-02	CYLINDER HEAD COVER	B-02	FRONT DAMPER.....	K-02	HANDLEBAR.....	H-14	RADIATOR HOSE.....	D-07	SIGNAL GENERATOR...	E-15	TURN SIGNAL LAMP....	F-09
CARBURETOR FITTINGS	C-09	CYLINDER HEAD.....	B-03	FRONT FENDER.....	H-13	HEADLAMP.....	F-07	RADIATOR.....	D-04	SPEEDOMETER.....	F-04	WATER PUMP.....	D-05
CARBURETOR.....	C-05	CYLINDER.....	B-05	FRONT MASTER CYLIND	K-12	INSTALLATION PARTS.	I-08	REAR CALIPER.....	L-09	STAND.....	G-04	WIRING HARNESS.....	F-11
CLUTCH MASTER CYLIN	K-14	ELECTRICAL.....	F-03	FRONT WHEEL.....	K-04	INSTALLATION PARTS.	J-02	REAR CUSHION LEVER.	L-04	STARTER CLUTCH.....	B-14		
CLUTCH.....	E-02	FOOTREST.....	G-05	FUEL COCK.....	G-14	LABEL.....	J-04	REAR FENDER.....	I-02	STARTING MOTOR.....	E-10		

FIG. 18

D 8

FIG. 18 (D- 8) RADIATOR HOSE (M. XEL P/R)



REF. NO.	PART NO.	DESCRIPTION	Q'TY	REMARKS
26	17891-46E00	UNION, HOSE JOINT	1	
29	09280-18009	O RING (D:3.2, ID:17.8)	4	
30-1	34850-05A10	GAUGE ASSY, WATER TEMPERATURE	1	MODEL P
30-2	34850-50A00	GAUGE ASSY, WATER TEMPERATURE	1	MODEL R
31	17680-45D00	SWITCH, RADIATOR FAN	1	
32	17910-17E10	TANK ASSY, RESERVOIR	1	
33	17932-12C00	CAP, RESERVOIR TANK	1	
34	09136-06022	SCREW (6X16)	2	
35	17981-17E00	HOSE, RESERVOIR TANK INLET	1	
36	09401-08407	CLIP	2	
37	17982-17E00	HOSE, RESERVOIR TANK OVER FLOW	1	
38	09407-22404	CLAMP	1	
39	09407-18402	CLAMP	2	
40	44552-24B00	MOLDING	1	L:110-70

REFER TO FIG. 18A(D- 9) FOR MODEL S/T/V/W

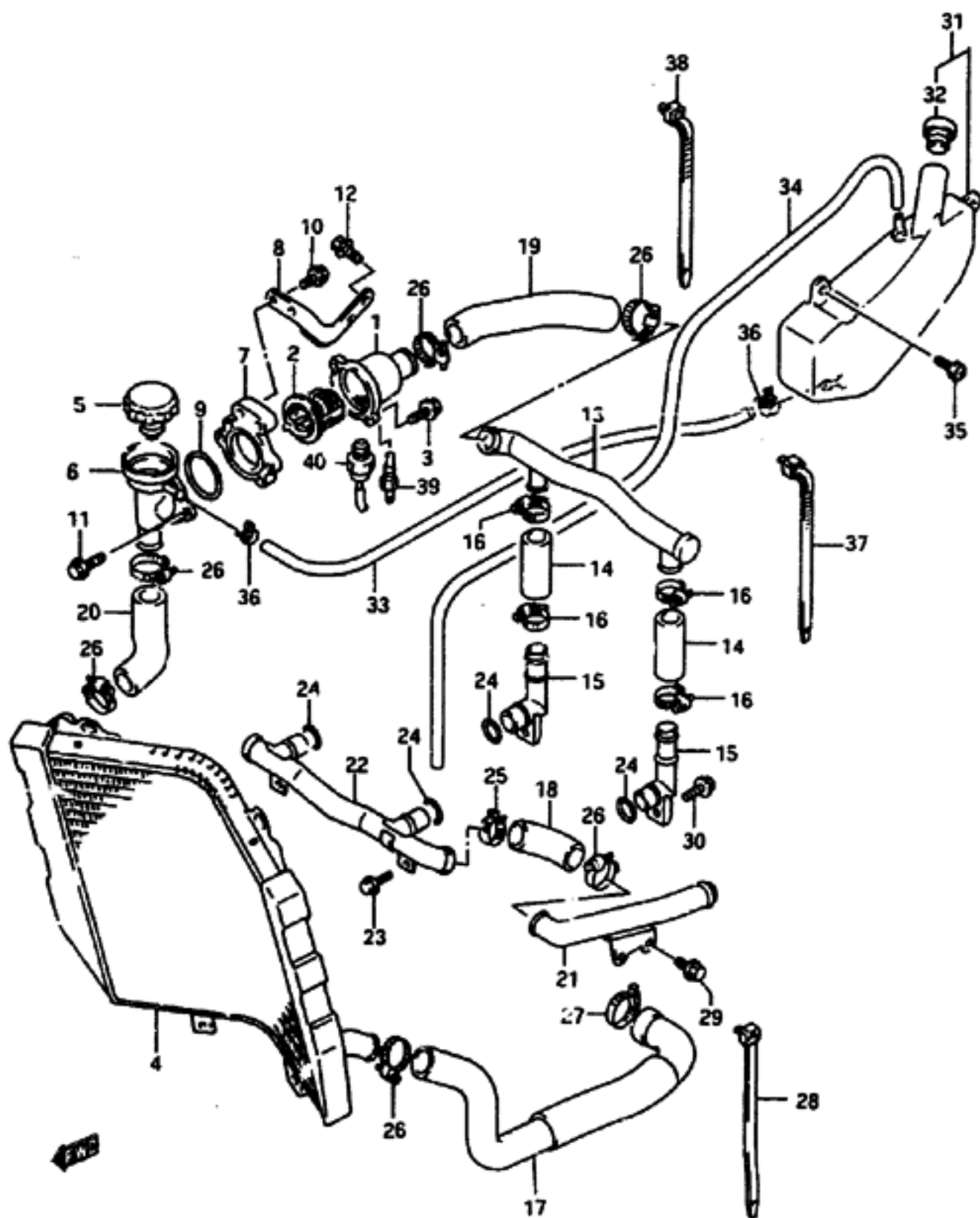
GSX-R1100NW E28

AIR CLEANER.....	C-11	COMING BODY.....	I-04	FRAME COVER.....	H-02	FUEL TANK.....	G-09	MUFFLER.....	D-02	REAR MASTER CYLINDER	L-11	STEERING DAMPER.....	K-05
ALTERNATOR.....	E-11	CRANKCASE COVER.....	B-09	FRAME.....	G-02	GEAR SHIFTING.....	E-08	OIL COOLER.....	D-04	REAR SWINGING ARM..	L-02	STEERING STEM.....	K-04
BATTERY.....	F-02	CRANKCASE.....	B-06	FRONT BRAKE HOSE...	K-10	HANDLE LEVER.....	H-16	OIL PAN - OIL PUMP..	B-10	REAR WHEEL.....	L-06	TAIL LAMP.....	F-10
CAM CHAIN.....	C-04	CRANKSHAFT.....	B-12	FRONT CALIPERS.....	K-08	HANDLE SWITCH.....	F-13	OPTIONAL.....	L-13	SEAT.....	J-05	TRANSMISSION.....	E-06
CAM SHAFT - VALVE..	C-02	CYLINDER HEAD COVER	B-02	FRONT DAMPER.....	K-02	HANDLEBAR.....	H-14	RADIATOR HOSE.....	D-07	SIGNAL GENERATOR...	E-15	TURNSIGNAL LAMP....	F-09
CARBURETOR FITTINGS	C-09	CYLINDER HEAD.....	B-03	FRONT FENDER.....	H-13	HEADLAMP.....	F-07	RADIATOR.....	D-06	SPEEDOMETER.....	F-04	WATER PUMP.....	D-05
CARBURETOR.....	C-05	CYLINDER.....	B-05	FRONT MASTER CYLIND	K-12	INSTALLATION PARTS..	I-08	REAR CALIPER.....	L-09	STAND.....	G-04	WIRING HARNESS.....	F-11
CLUTCH MASTER CYLIN	K-14	ELECTRICAL.....	F-03	FRONT WHEEL.....	K-06	INSTALLATION PARTS..	J-02	REAR CUSHION LEVER..	L-04	STARTER CLUTCH.....	B-14		
CLUTCH.....	E-02	FOOTREST.....	G-05	FUEL COCK.....	G-14	LABEL.....	J-04	REAR FENDER.....	I-02	STARTING MOTOR.....	E-10		

FIG. 18 A

D 9

FIG. 18A(D- 9) RADIATOR HOSE (MODEL S/T/V/W)



REF. NO.	PART NO.	DESCRIPTION	Q'TY	REMARKS
1	17662-46E10	CONNECTOR, THERMOSTAT INLET	1	
2	17670-32C01	THERMOSTAT, WATER	1	
3	01550-06163	BOLT, CONNECTOR	2	
4	17710-46E00	RADIATOR ASSY, WATER	1	
5	17730-19D00	CAP, RADIATOR, 1. 1	1	
6	17791-46E10	CONDUCTION, RADIATOR	1	
7	17792-46E10	BRACKET, CONDUCTION	1	
8	17793-46E10	BRACKET, CONDUCTION BRACKET	1	
9	09280-44005	O RING (D:2.4, ID:43.2)	1	
10	01550-06103	BOLT, CONDUCTION BRKT	2	
11	01550-06163	BOLT, CONDUCTION	2	
12	01550-08123	BOLT, CONDUCTION BRKT	2	
13	17840-46E10	PIPE, HEAD OUTLET JOINT	1	
14	17851-01A00	HOSE, HEAD OUTLET JOINT	2	-17853-28C20
15	17880-17E00	PIPE, HEAD OUTLET NO. 1	2	
16	09402-28511	CLAMP, WATER HOSE NO. 3	4	
17	17853-46E10	HOSE, WATER PUMP INLET	1	
18	17858-17E50	HOSE, CYLINDER INLET JOINT	1	-17856-17E50
19	17856-46E10	HOSE, HEAD OUTLET	1	
20	17857-46E10	HOSE, RADIATOR INLET	1	
21	17860-17E00	PIPE, CYLINDER SIDE	1	
22	17870-46E00	PIPE, CYLINDER INLET	1	
23-1	09103-08184	BOLT (6X12)	2	MODEL S
23-2	09103-08083	BOLT (6X12)	2	MODEL T/V/W
24	09280-18009	O RING (D:3.2, ID:17.8)	4	
25	09401-28404	CLIP, WATER HOSE	1	
26	09402-32511	CLAMP, WATER HOSE NO. 1	6	
27	09402-38511	CLAMP, WATER HOSE NO. 2	1	
28-1	09407-22404	CLAMP, WATER PUMP INLET	1	MODEL S
28-2	09407-25401	CLAMP, WATER PUMP INLET	1	MODEL T/V/W
29	01550-06123	BOLT, CYLINDER SIDE PIPE	2	
30	01550-06123	BOLT, HEAD OUTLET PIPE	2	

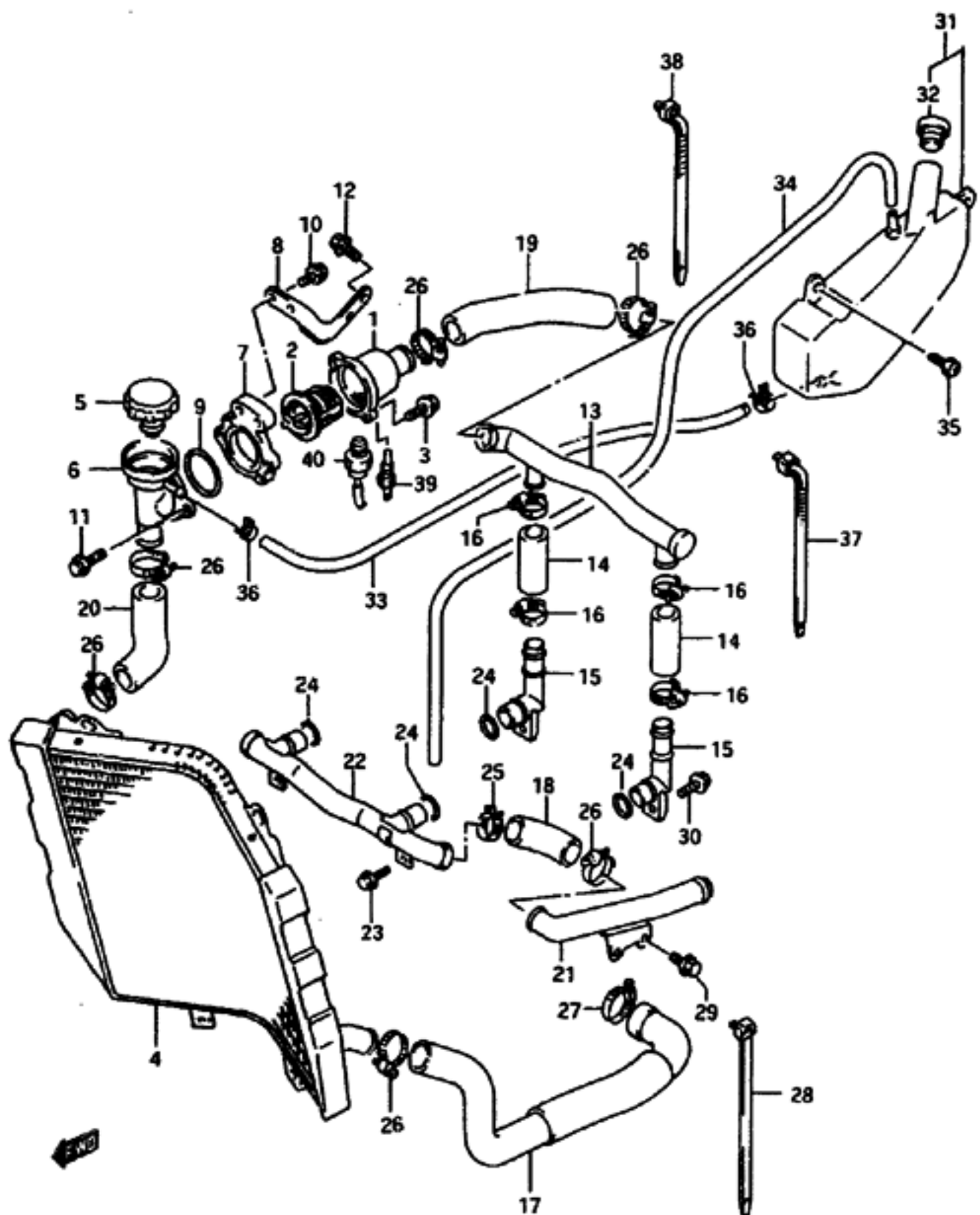
GSX-R1100W E28

AIR CLEANER.....	C-11	COWLING BODY.....	I-04	FRAME COVER.....	H-02	FUEL TANK.....	G-09	MUFFLER.....	D-02	REAR MASTER CYLINDER	L-11	STEERING DAMPER.....	K-05
ALTERNATOR.....	E-11	CRANKCASE COVER.....	B-09	FRAME.....	G-02	GEAR SHIFTING.....	E-08	OIL COOLER.....	D-04	REAR SWINGING ARM..	L-02	STEERING STEM.....	K-04
BATTERY.....	F-02	CRANKCASE.....	B-06	FRONT BRAKE HOSE...	K-10	HANDLE LEVER.....	H-16	OIL PAN - OIL PUMP..	B-10	REAR WHEEL.....	L-06	TAIL LAMP.....	F-10
CAM CHAIN.....	C-04	CRANKSHAFT.....	B-12	FRONT CALIPERS.....	K-08	HANDLE SWITCH.....	F-13	OPTIONAL.....	L-13	SEAT.....	J-05	TRANSMISSION.....	E-06
CAM SHAFT - VALVE..	C-02	CYLINDER HEAD COVER	B-02	FRONT DAMPER.....	K-02	HANDLEBAR.....	H-14	RADIATOR HOSE.....	D-07	SIGNAL GENERATOR...	E-15	TURN SIGNAL LAMP...	F-09
CARBURETOR FITTINGS	C-09	CYLINDER HEAD.....	B-03	FRONT FENDER.....	H-13	HEADLAMP.....	F-07	RADIATOR.....	D-06	SPEEDOMETER.....	F-04	WATER PUMP.....	D-05
CARBURETOR.....	C-05	CYLINDER.....	B-05	FRONT MASTER CYLIND	K-12	INSTALLATION PARTS..	I-08	REAR CALIPER.....	L-09	STAND.....	G-04	WIRING HARNESS.....	F-11
CLUTCH MASTER CYLIN	K-14	ELECTRICAL.....	F-03	FRONT WHEEL.....	K-06	INSTALLATION PARTS..	J-02	REAR CUSHION LEVER..	L-04	STARTER CLUTCH.....	B-14		
CLUTCH.....	E-02	FOOTREST.....	B-05	FUEL COCK.....	G-14	LABEL.....	J-04	REAR FENDER.....	I-02	STARTING MOTOR.....	E-10		

FIG. 18 A

D 10

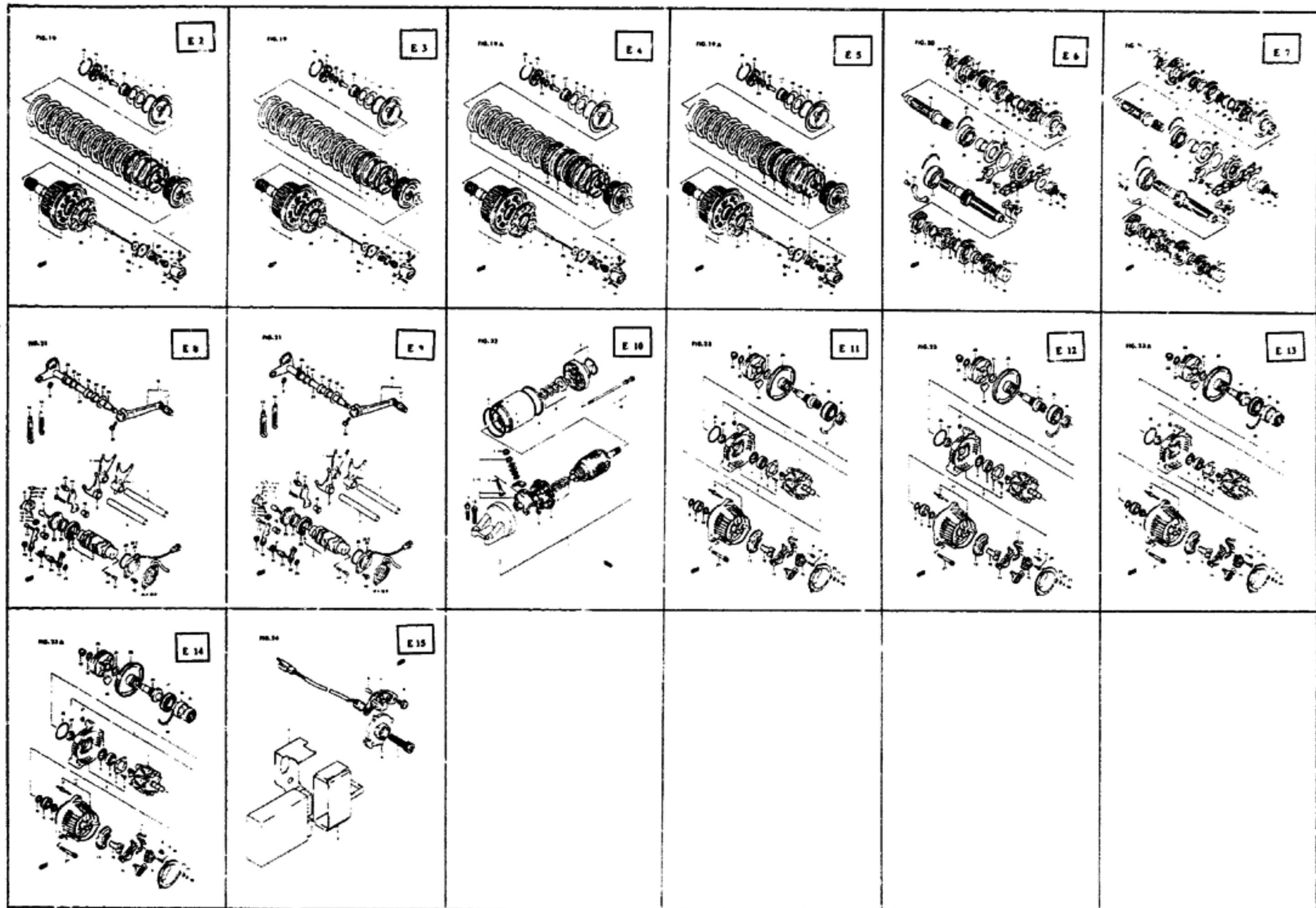
FIG. 18A(D-10) RADIATOR HOSE (MODEL S/T/V/W)



REF. NO.	PART NO.	DESCRIPTION	Q'TY	REMARKS
31	17910-17E10	TANK ASSY, RESERVOIR	1	
32	17932-12C00	.CAP, WATER RESERVOIR TANK	1	
33	17981-46E00	HOSE, RESERVOIR TANK INLET	1	
34-1	17981-21E00	HOSE, RESERVOIR TANK OVER FLOW	1	MODEL S/T
34-2	17981-21B10	HOSE, RESERVOIR TANK OVER FLOW	1	MODEL V/W
35	09136-06022	SCREW (8X20)	2	
36	09401-08411	CLIP, RESERVOIR TANK HOSE	2	
37	09407-18403	CLAMP, RESERVOIR OVER FLOW	1	
38	09407-18403	CLAMP, RESERVOIR TANK HOSE	1	
39	34650-50A00	GAUGE ASSY. WATER TEMPERATURE	1	
40	17680-48E00	SWITCH, RADIATOR FAN	1	-17680-45D00

GSX-R1100W E28

AIR CLEANER..... C-11	COMING BODY..... I-04	FRAME COVER..... H-02	FUEL TANK..... G-09	MUFFLER..... D-02	REAR MASTER CYLINDER L-11	STEERING DAMPER..... K-05
ALTERNATOR..... E-11	CRANKCASE COVER..... B-09	FRAME..... G-02	GEAR SHIFTING..... E-08	OIL COOLER..... D-04	REAR SWINGING ARM.. L-02	STEERING STEM..... K-04
BATTERY..... F-02	CRANKCASE..... B-06	FRONT BRAKE HOSE... K-10	HANDLE LEVER..... H-16	OIL PAN - OIL PUMP. B-10	REAR WHEEL..... L-06	TAIL LAMP..... F-10
CAN CHAIN..... C-04	CRANKSHAFT..... B-12	FRONT CALIPERS..... K-08	HANDLE SWITCH..... F-13	OPTIONAL..... L-13	SEAT..... J-05	TRANSMISSION..... E-06
CAN SHAFT - VALVE.. C-02	CYLINDER HEAD COVER B-02	FRONT DAMPER..... K-02	HANDLEBAR..... H-14	RADIATOR HOSE..... D-07	SIGNAL GENERATOR... E-15	TURNSIGNAL LAMP.... F-09
CARBURETOR FITTINGS C-09	CYLINDER HEAD..... B-03	FRONT FENDER..... H-13	HEADLAMP..... F-07	RADIATOR..... D-06	SPEEDOMETER..... F-04	WATER PUMP..... D-05
CARBURETOR..... C-05	CYLINDER..... B-05	FRONT MASTER CYLIND K-12	INSTALLATION PARTS. I-08	REAR CALIPER..... L-09	STAND..... G-04	WIRING HARNESS..... F-11
CLUTCH MASTER CYLIND K-14	ELECTRICAL..... F-03	FRONT WHEEL..... K-06	INSTALLATION PARTS. J-02	REAR CUSHION LEVER. L-04	STARTER CLUTCH..... B-14	
CLUTCH..... E-02	FOOTREST..... G-05	FUEL COCK..... G-14	LABEL..... J-04	REAR FENDER..... I-02	STARTING ROTOR..... E-10	

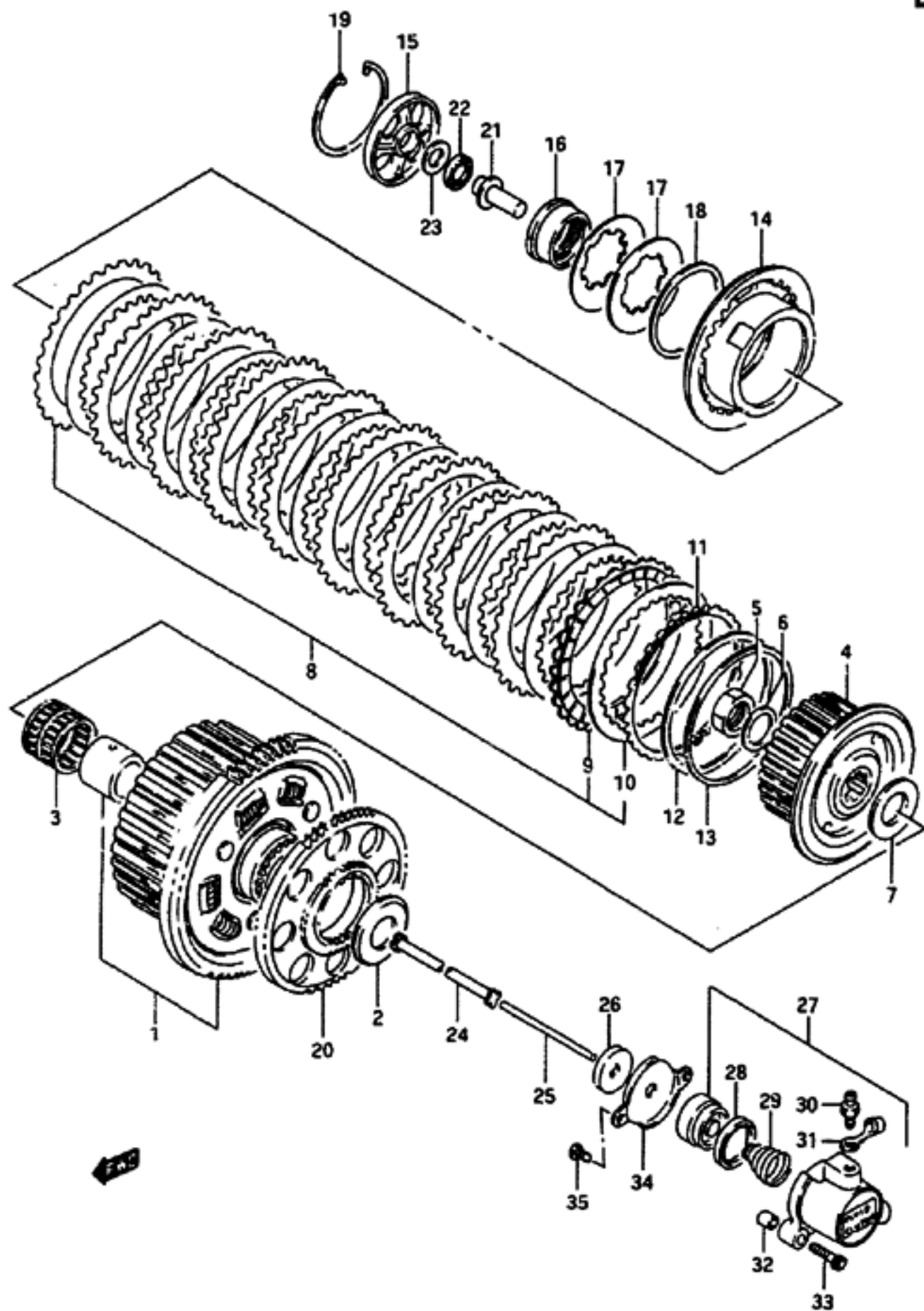


AIR CLEANER.....	C-11	COWLING BODY.....	I-04	FRAME COVER.....	H-02	FUEL TANK.....	G-09	MUFFLER.....	D-02	REAR MASTER CYLINDER.....	L-11	STEERING DAMPER.....	K-05
ALTERNATOR.....	E-11	CRANKCASE COVER.....	B-09	FRAME.....	G-02	GEAR SHIFTING.....	E-08	OIL COOLER.....	D-04	REAR SWINGING ARM.....	L-02	STEERING STEM.....	K-04
BATTERY.....	F-02	CRANKCASE.....	B-06	FRONT BRAKE HOSE.....	K-10	HANDLE LEVER.....	H-16	OIL PAN - OIL PUMP.....	B-10	REAR WHEEL.....	L-06	TAIL LAMP.....	F-10
CAN CHAIN.....	C-04	CRANKSHAFT.....	B-12	FRONT CALIPERS.....	K-08	HANDLE SWITCH.....	F-13	OPTIONAL.....	L-13	SEAT.....	J-05	TRANSMISSION.....	E-06
CAN SHAFT - VALVE.....	C-02	CYLINDER HEAD COVER.....	B-02	FRONT DAMPER.....	K-02	HANDLEBAR.....	H-14	RADIATOR HOSE.....	D-07	SIGNAL GENERATOR.....	E-15	TURN SIGNAL LAMP.....	F-09
CARBURETOR FITTINGS.....	C-09	CYLINDER HEAD.....	B-03	FRONT FENDER.....	H-13	HEADLAMP.....	F-07	RADIATOR.....	D-06	SPEEDOMETER.....	F-04	WATER PUMP.....	D-05
CARBURETOR.....	C-05	CYLINDER.....	E-05	FRONT MASTER CYLINDER.....	K-12	INSTALLATION PARTS.....	I-08	REAR CALIPER.....	L-09	STAND.....	G-04	WIRING HARNESS.....	F-11
CLUTCH MASTER CYLINDER.....	K-14	ELECTRICAL.....	F-03	FRONT WHEEL.....	K-06	INSTALLATION PARTS.....	J-02	REAR CUSHION LEVER.....	L-04	STARTER CLUTCH.....	B-14		
CLUTCH.....	E-02	FOOTREST.....	G-05	FUEL COCK.....	G-14	LABEL.....	J-04	REAR FENDER.....	I-02	STARTING MOTOR.....	E-10		

FIG. 19

E 2

FIG. 19 (E- 2) CLUTCH (MODEL P/R)



REF. NO.	PART NO.	DESCRIPTION	Q'TY	REMARKS
1	21200-40830	GEAR, PRIMARY DRIVEN (NT:72)	1	
2	09160-25067	WASHER	1	
3	09263-35017	BEARING	1	
4	21410-46E00	HUB, SLEEVE	1	
5	09159-24008	NUT	1	
6	09164-24006	WASHER	1	
7	09160-25056	WASHER (25X50X2.5)	1	
8	21400-40C00	PLATE ASSY, CLUTCH	1	
9	21441-48B00	.PLATE, DRIVE NO. 1 (T:2.6)	10	
10	21451-48B00	.PLATE, DRIVEN (T:2)	10	
11	21442-46E00	PLATE, DRIVE NO. 2 (T:2.6)	1	
12	09164-00007	WAVE WASHER	1	
13	21471-40C01	SEAT, WAVE WASHER	1	
14	21462-40C02	DISC, PRESSURE	1	
15	21463-40C01	LIFTER, CLUTCH PRESSURE DISK	1	
16	21611-40C01	HOLDER, CLUTCH SPRING	1	
17	09164-47001	SPRING	2	
18	21623-40C00	SEAT, CLUTCH SPRING	1	
19	09381-84002	CIRCLIP	1	
20-1	22721-17E01	GEAR, ALTERNATOR (DT:34/61)	1	MODEL P
20-2	22721-21E00	GEAR, ALTERNATOR (NT:34/61)	1	MODEL R
21	23121-07A00	PIECE, PUSH	1	
22	09263-15003	BEARING	1	
23-1	09160-15015	WASHER (15X28X1)	1	MODEL P
23-2	09160-15045	WASHER (15.5X28X1)	1	MODEL R
24	21110-27A00	ROD, PUSH RH	1	
25	23111-24A01	ROD, PUSH LH (L:108.5)	1	
28	09285-06015	OIL SEAL	1	

REFER TO FIG. 19A(E-4) FOR MODEL S/T/V/W

GSX-R1100WW E28

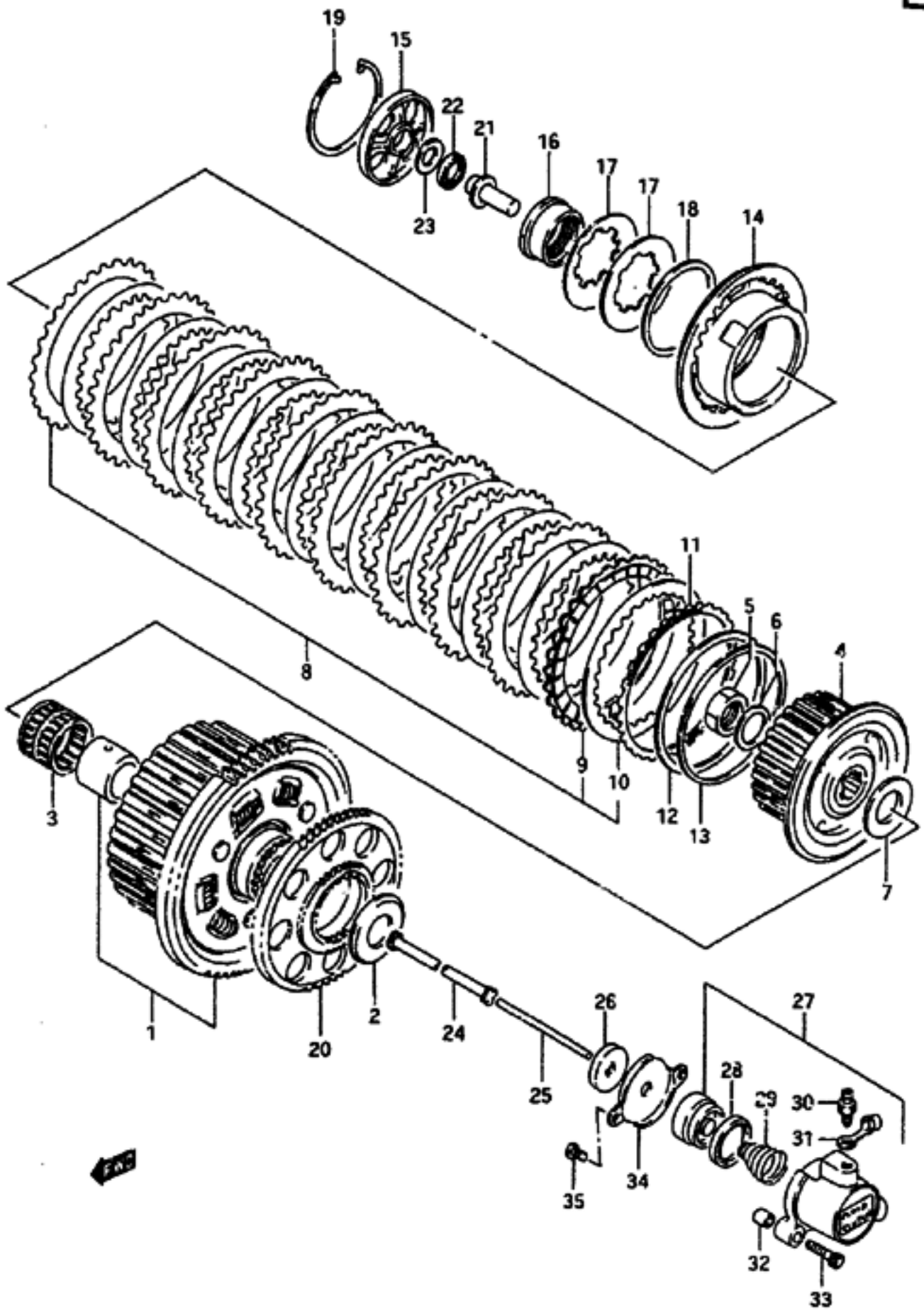
34

AIR CLEANER.....	C-11	COMING BODY.....	I-04	FRAME COVER.....	H-02	FUEL TANK.....	G-09	MUFFLER.....	D-02	REAR MASTER CYLINDER	L-11	STEERING DAMPER.....	K-05
ALTERNATOR.....	E-11	CRANKCASE COVER.....	B-09	FRAME.....	G-02	GEAR SHIFTING.....	E-08	OIL COOLER.....	D-04	REAR SWINGING ARM..	L-02	STEERING STEM.....	K-04
BATTERY.....	F-02	CRANKCASE.....	B-04	FRONT BRAKE HOSE...	K-10	HANDLE LEVER.....	H-16	OIL PAN - OIL PUMP..	B-10	REAR WHEEL.....	L-06	TAIL LAMP.....	F-10
CAM CHAIN.....	C-04	CRANKSHAFT.....	B-12	FRONT CALIPERS.....	K-08	HANDLE SWITCH.....	F-13	OPTIONAL.....	L-13	SEAT.....	J-05	TRANSMISSION.....	E-06
Cam Shaft VALVE..	C-02	CYLINDER HEAD COVER	B-02	FRONT DAMPER.....	K-02	HANDLEBAR.....	H-14	RADIATOR HOSE.....	D-07	STGM. GENERATOR....	E-15	TURN SIGNAL LAMP....	F-09
CARBURETOR FITTINGS	C-09	CYLINDER HEAD.....	B-03	FRONT FENDER.....	H-13	HEADLAMP.....	F-07	RADIATOR.....	D-06	SPEEDOMETER.....	F-04	WATER PUMP.....	D-05
CARBURETOR.....	C-05	CYLINDER.....	B-05	FRONT MASTER CYLIND	K-12	INSTALLATION PARTS..	I-00	REAR CALIPER.....	L-09	STAND.....	G-04	WIRING HARNESS....	F-11
CLUTCH MASTER CYLIN	K-14	ELECTRICAL.....	F-03	FRONT WHEEL.....	K-06	INSTALLATION PARTS..	J-02	REAR CUSHION LEVER..	L-04	STARTER CLUTCH.....	B-14		
CLUTCH.....	E-02	FOOTREST.....	G-05	FUEL COCK.....	G-14	LABEL.....	J-04	REAR FENDER.....	I-02	STARTING MOTOR.....	E-10		

FIG. 19

E 3

FIG. 19 (E- 3) CLUTCH (MODEL P/R)



REF. NO.	PART NO.	DESCRIPTION	Q'TY	REMARKS
27-1	23160-06801	CYLINDER, CLUTCH RELEASE	1	MODEL P
27-2	23160-06802	CYLINDER, CLUTCH RFLASE	1	MODEL R
28	23163-06800	. CUP	1	
29	23164-05A00	. SPRING	1	
30	59121-01A00	. BLEEDER	1	
31	59122-01A00	. CAP, BLEEDER	1	
32	04211-09129	PIN	2	
33-1	07130-06255	BOLT	2	MODEL P
33-2	07130-06253	BOLT	2	MODEL R
34	23117-46E00	COVER, CYLINDER	1	
35	02112-06103	SCREW	2	

REFER TO FIG. 19A(E-4) FOR MODEL S/T/V/W

GSX-R1100WW E28
35

AIR CLEANER..... C-11	COMLING BODY..... I-04	FRAME COVER..... H-02	FUEL TANK..... G-09	MUFFLER..... D-02	REAR MASTER CYLINDE L-11	STEERING DAMPER..... K-05
ALTERNATOR..... E-11	CRANKCASE COVER... B-09	FRAME..... G-02	GEAR SHIFTING..... E-08	OIL COOLER..... D-04	REAR SWINGING ARM.. L-02	STEERING STER..... K-04
BATTERY..... F-02	CRANKCASE..... B-06	FRONT BRAKE HOSE... K-10	HANDLE LEVER..... H-16	OIL PAN - OIL PUMP. B-10	REAR WHEEL..... L-06	TAIL LAMP..... F-10
CAM CHAIN..... C-04	CRANKSHAFT..... B-12	FRONT CALIPERS..... K-08	HANDLE SWITCH..... F-13	OPTIONAL..... L-13	SEAT..... J-05	TRANSMISSION..... E-04
CAM SHAFT - VALVE.. C-02	CYLINDER HEAD COVER B-02	FRONT DAMPER..... K-02	HANDLEBAR..... H-14	RADIATOR HOSE..... D-07	SIGNAL GENERATOR... E-15	URNSIGNAL LAMP.... F-09
CARBURETOR FITTINGS C-09	CYLINDER HEAD..... B-03	FRONT FENDER..... H-13	HEADLAMP..... F-07	RADIATOR..... D-06	SPEEDOMETER..... F-04	WATER PUMP..... D-05
CARBURETOR..... C-05	CYLINDER..... B-05	FRONT MASTER CYLIND K-12	INSTALLATION PARTS. I-08	REAR CALIPER..... L-09	STAND..... G-04	WIRING HARNESS..... F-11
CLUTCH MASTER CYLIN K-14	ELECTRICAL..... F-03	FRONT WHEEL..... K-06	INSTALLATION PARTS. J-02	REAR CUSHION LEVER. L-04	STARTER CLUTCH..... B-14	
CLUTCH..... E-02	FOOTREST..... G-05	FUEL COCK..... G-14	LABEL..... J-04	REAR FENDER..... I-02	STARTING MOTOR..... E-10	

FIG. 19 A

E 4

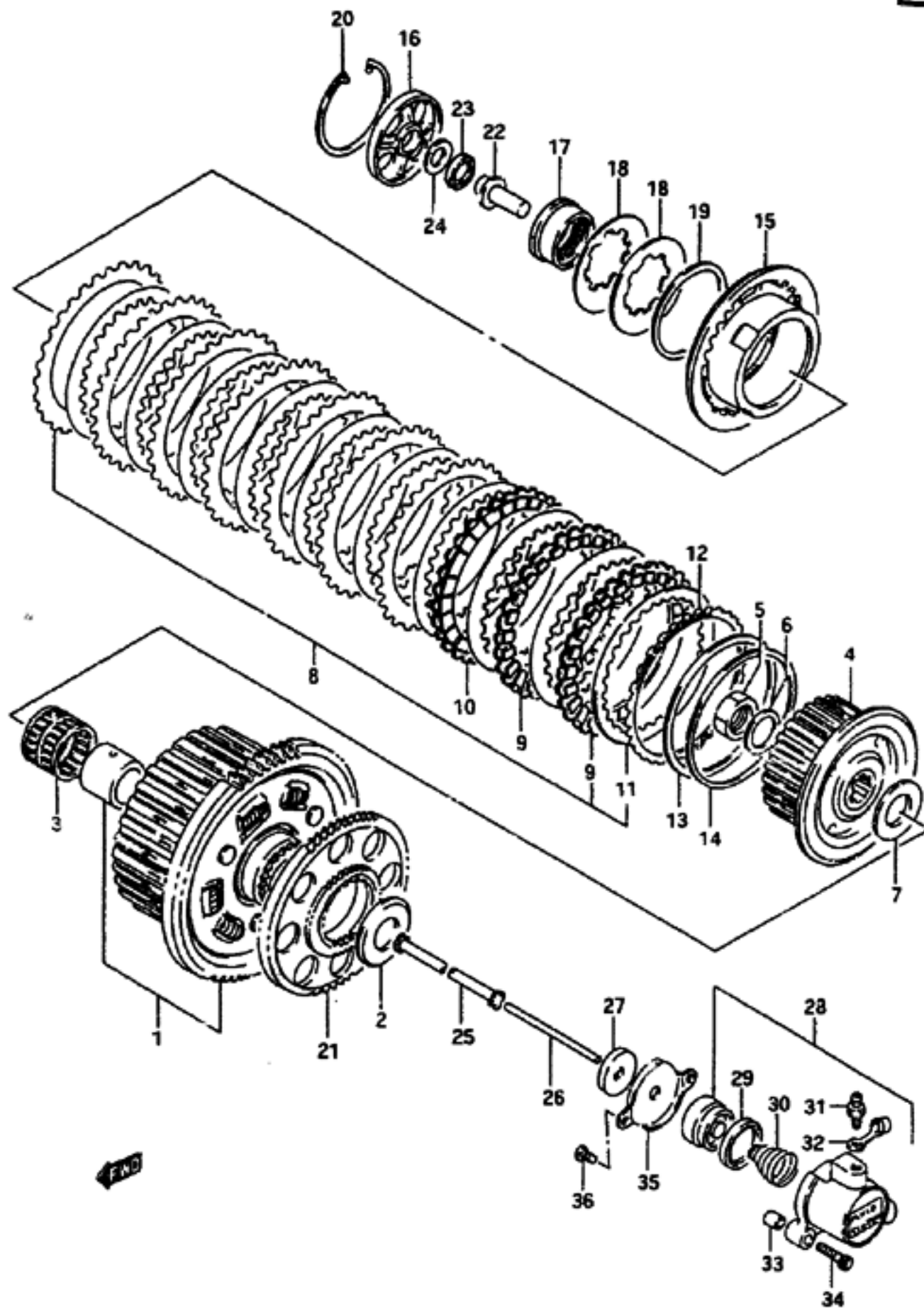


FIG. 19A(E- 4) CLUTCH (MODEL S/T/V/W)

REF. NO.	PART NO.	DESCRIPTION	Q'TY	REMARKS
1-1	21200-40840	GEAR, PRIMARY DRIVEN (NT:72)	1	MODEL S/T/V
1-2	21200-40841	GEAR, PRIMARY DRIVEN (NT:72)	1	MODEL W
2-1	09160-25067	WASHER (25X54X2.5)	1	MODEL S/T/V
2-2	09160-25037	WASHER (25.1X54X2.5)	1	MODEL W
3	09263-35017	BEARING (35X40X35.8)	1	
4	21410-46E00	HUB, SLEEVE	1	
5	09159-24008	NUT	1	
6	09164-24008	WASHER	1	
7	09160-25056	WASHER (25X50X... 5)	1	
8	21400-40C01	PLATE ASSY, CLUTCH	1	
9	21441-48B10	. PLATE, DRIVE	2	
10	21441-48B00	. PLATE, DRIVE NO. 1 (T:2.6)	8	
11	21451-48B00	. PLATE, DRIVEN (T:2)	10	
12	21442-48E00	PLATE, DRIVE NO. 2 (T:2.6)	1	
13	09164-00007	WAVE WASHER	1	
14	21471-40C01	SEAT, WAVE WASHER	1	
15	21462-40C02	DISC, PRESSURE	1	
16	21463-40C01	LIFTER, CLUTCH PRESSURE DISK	1	
17	21611-40C01	HOLDER, CLUTCH SPRING	1	
18	09164-47001	SPRING	2	
19	21623-40C00	SEAT, CLUTCH SPRING	1	
20	09381-84002	CIRCLIP	1	
21-1	22721-21E01	GEAR, ALTERNATOR (NT:34/61)	1	MODEL S/T/V
21-2	22721-21E02	GEAR, ALTERNATOR (NT:34/61)	1	MODEL W
22	23121-07A00	PIECE, PUSH	1	
23	09263-15003	BEARING	1	
24	09160-15045	WASHER (15.5X28X1)	1	
25	23110-27A00	ROD, PUSH RH	1	
26	23111-24A01	ROD, PUSH LH (L:108.5)	1	
27	09285-06015	OIL SEAL	1	
28	23160-06B02	CYLINDER, CLUTCH RELEASE	1	
29	23163-06B00	. CUP	1	
30	23164-05A00	. SPRING	1	
31	59121-01A00	. BLEEDER	1	
32	59122-01A00	. CAP, BLEEDER	1	

GSX-R1100WV E28

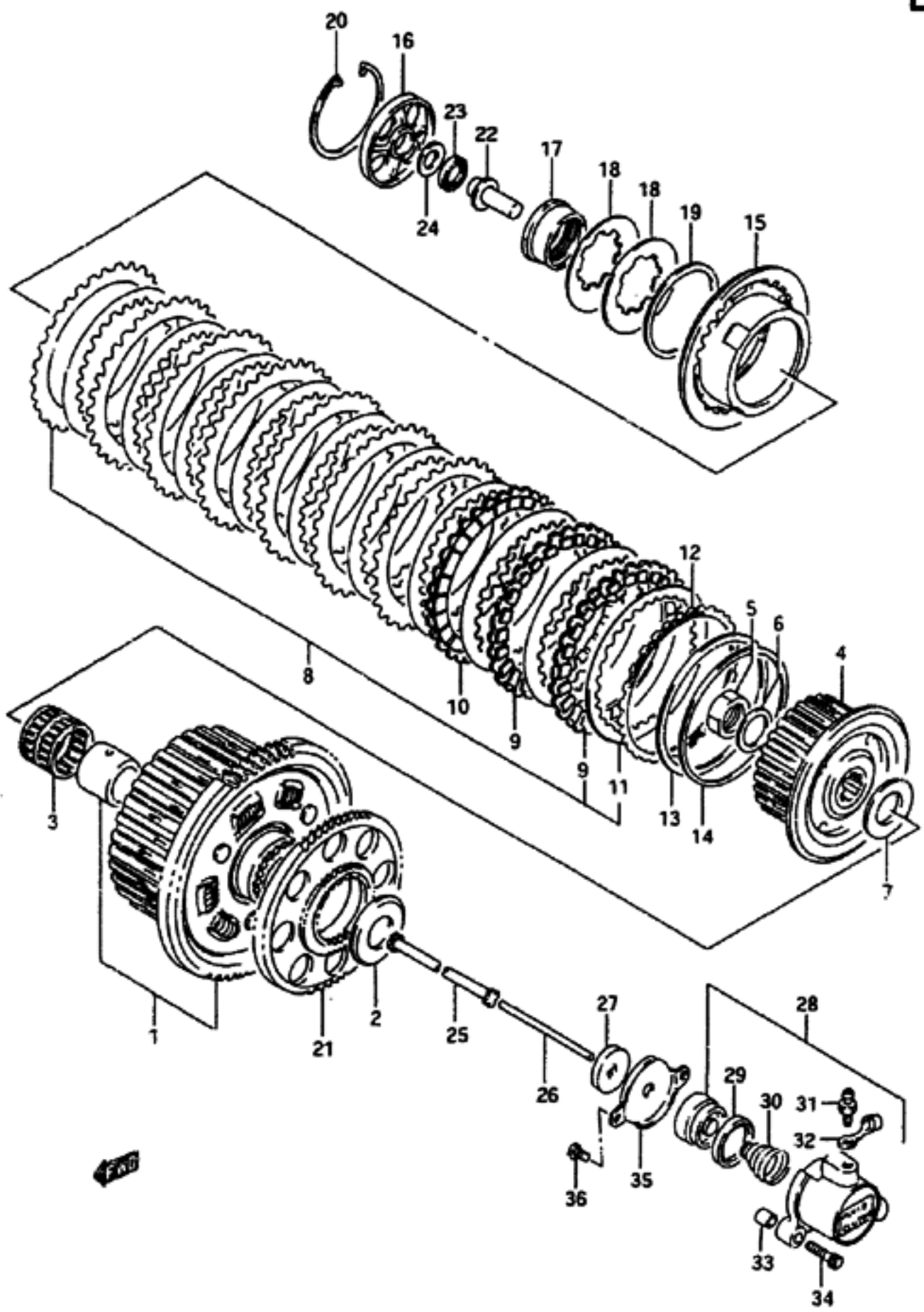
36

AIR CLEANER.....	C-11	COWLING BODY.....	I-04	FRAME COVER.....	H-02	FUEL TANK.....	G-09	MUFFLER.....	D-02	REAR MASTER CYLINDER	L-11	STEERING DAMPER.....	K-05
ALTERNATOR.....	E-11	CRANKCASE COVER.....	B-09	FRAME.....	G-02	GEAR SHIFTING.....	E-08	OIL COOLER.....	D-04	REAR SWINGING ARM..	L-02	STEERING STEM.....	K-04
BATTERY.....	E-02	CRANKCASE.....	B-06	FRONT BRAKE HOSE...	K-10	HANDLE LEVER.....	H-16	OIL PAN - OIL PUMP..	B-10	REAR WHEEL.....	L-06	TAIL LAMP.....	F-10
CAM CHAIN.....	C-04	CRANKSHAFT.....	B-12	FRONT CALIPERS.....	K-08	HANDLE SWITCH.....	F-13	OPTIONAL.....	L-13	SEAT.....	J-05	TRANSMISSION.....	E-06
CAM SHAFT - VALVE..	C-02	CYLINDER HEAD COVER	B-02	FRONT DAMPER.....	K-02	HANDLEBAR.....	H-14	RADIATOR HOSE.....	D-07	SIGNAL GENERATOR...	E-15	TURN SIGNAL LAMP...	F-09
CARBURETOR FITTINGS	C-09	CYLINDER HEAD.....	B-03	FRONT FENDER.....	H-13	HEADLAMP.....	F-07	RADIATOR.....	D-06	SPEEDOMETER.....	F-04	WATER PUMP.....	D-05
CARBURETOR.....	C-05	CYLINDER.....	B-05	FRONT MASTER CYLIND	K-12	INSTALLATION PARTS..	I-08	REAR CALIPER.....	L-09	STAND.....	G-04	WIRING HARNESS.....	F-11
CLUTCH MASTER CYLIN	K-14	ELECTRICAL.....	F-03	FRONT WHEEL.....	K-06	INSTALLATION PARTS..	J-02	REAR CUSHION LEVER..	L-04	STARTER CLUTCH.....	B-14		
CLUTCH.....	E-02	FOOTREST.....	G-05	FUEL COCK.....	G-14	LABEL.....	J-04	REAR FENDER.....	I-02	STARTING MOTOR.....	E-10		

FIG. 19 A

E 5

FIG. 19A(E- 5) CLUTCH (MODEL S/T/V/W)



REF. NO.	PART NO.	DESCRIPTION	Q'TY	REMARKS
33	04211-09129	PIN	2	
34	07130-06253	BOLT	2	
35	23117-48E00	COVER, CYLINDER	1	
36	02112-06103	SCREW	2	

GSX-R1100NW E28
37

AIR CLEANER.....	C-11	COMLING BODY.....	I-04	FRAME COVER.....	H-02	FUEL TANK.....	G-09	MUFFLER.....	D-02	REAR MASTER CYLINDE	L-11	STEERING DAMPER....	K-05
ALTERNATOR.....	E-11	CRANKCASE COVER...	B-09	FRAME.....	G-02	GEAR SHIFTING.....	E-08	OIL COOLER.....	D-04	REAR SWINSING ARM..	L-02	STEERING STEM.....	K-04
BATTERY.....	F-02	CRANKCASE.....	B-06	FRONT BRAKE HOSE...	K-10	HANDLE LEVER.....	H-16	OIL PAN - OIL PUMP..	B-10	REAR WHEEL.....	L-06	TAIL LAMP.....	F-10
CAM CHAIN.....	C-04	CRANKSHAFT.....	B-12	FRONT CALIPERS.....	K-08	HANDLE SWITCH.....	F-13	OPTIONAL.....	L-13	SEAT.....	J-05	TRANSMISSION.....	E-06
CAM SHAFT - VALVE..	C-02	CYLINDER HEAD COVER	B-02	FRONT DAMPER.....	K-02	HANDLEBAR.....	H-14	RADIATOR HOSE.....	D-07	SIGNAL GENERATOR...	E-15	URNSIGNAL LAMP....	F-09
CARBURETOR FITTINGS	C-09	CYLINDER HEAD.....	B-03	FRONT FENDER.....	H-13	HEADLAMP.....	F-07	RADIATOR.....	D-06	SPEEDOMETER.....	F-04	WATER PUMP.....	D-05
CARBURETOR.....	C-05	CYLINDER.....	B-05	FRONT MASTER CYLIND	K-12	INSTALLATION PARTS..	I-08	REAR CALIPER.....	L-09	STAND.....	G-04	WIRING HARNESS....	F-11
CLUTCH MASTER CYLIM	K-14	ELECTRICAL.....	F-03	FRONT WHEEL.....	K-06	INSTALLATION PARTS..	J-02	REAR CUSHION LEVER..	L-04	STARTER CLUTCH.....	B-14		
CLUTCH.....	E-02	FOOTREST.....	G-05	FUEL COCK.....	G-14	LABEL.....	J-04	REAR FENDER.....	I-02	STARTING MOTOR.....	E-10		

FIG. 20

E 6

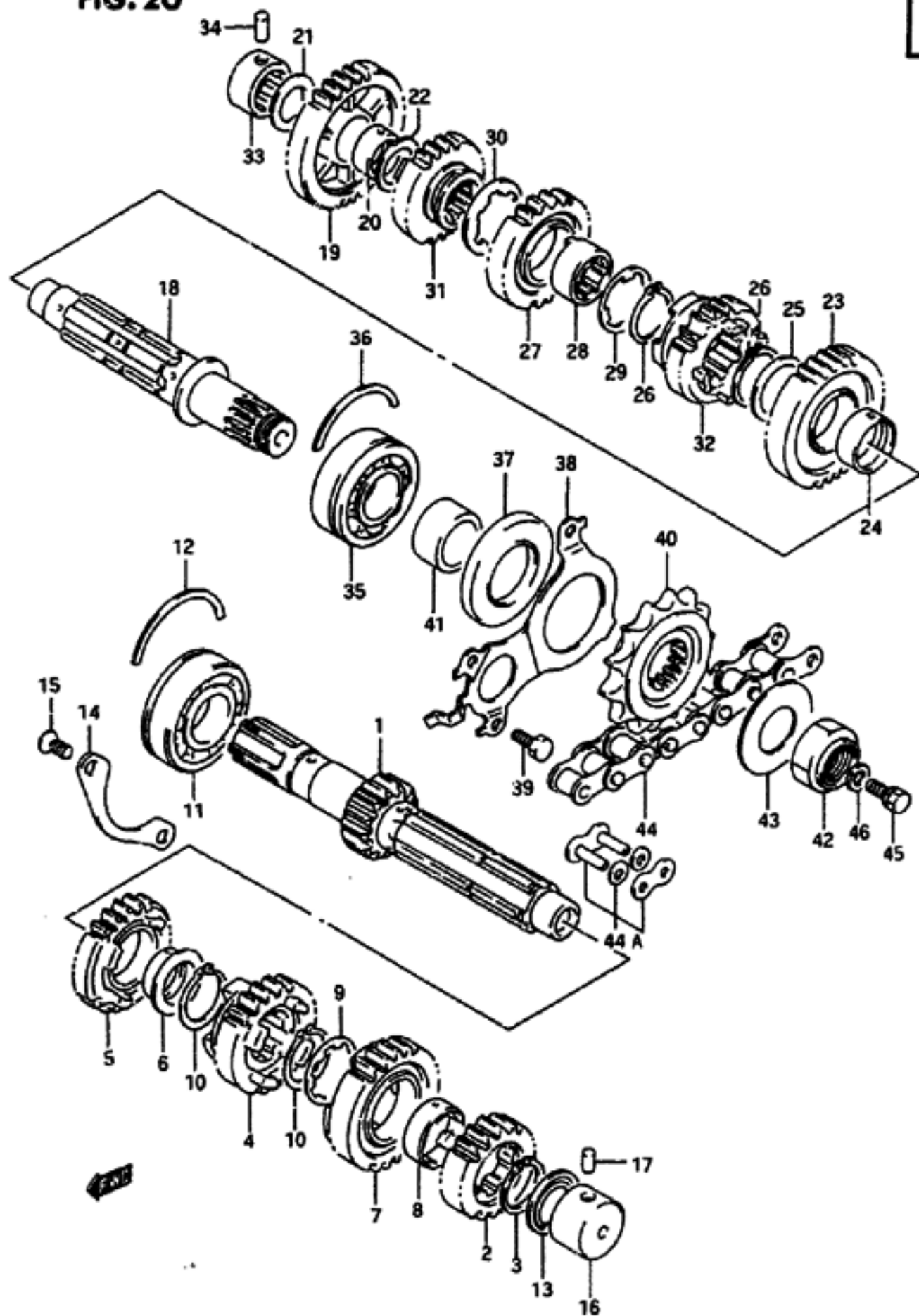


FIG. 20 (E- 6) TRANSMISSION

REF. NO.	PART NO.	DESCRIPTION	Q'TY	REMARKS
1	24120-26D10	CRANKSHAFT (NT:14)	1	
2	24221-26D00	GEAR, 2ND DRIVE (NT:21)	1	
3	09380-28008	CIRCLIP	1	
4	24231-26D02	GEAR, 3TH DRIVE (NT:22)	1	
5	24241-26D10	GEAR, 4TH DRIVE (NT:22)	1	
6	09301-28001	BUSH	1	
7-1	24251-26D01	GEAR, 5TH DRIVE (NT:26)	1	MODEL P/R/S/T/V
7-2	24251-26D02	GEAR, 5TH DRIVE (NT:26)	1	MODEL W
8	24332-24A00	BUSH	1	
9	09167-28001	WASHER	1	
10	08331-31286	CIRCLIP	2	
11-1	09262-25001	BEARING, RH (25X62X17)	1	MODEL P/R
11-2	09262-25105	BEARING, RH (25X62X17)	1	MODEL S/T/V/W
12	09390-62012	C RING	1	
13	09285-20006	OIL SEAL	1	
14	24741-27A0C	HOLDER, BEARING	1	
15-1	02122-06167	SCREW	2	MODEL P/R
15-2	02122-06163	SCREW	1	MODEL S/T/V/W
16	09263-20082	BEARING, LH	1	
17	04221-07129	PIN	1	
18	24131-46E10	DRIVESHAFT	1	
19-1	24311-26D00	GEAR, 1ST DRIVEN (NT:38)	1	MODEL P -F. NO. 101755
19-2	24311-26D10	GEAR, 1ST DRIVEN (NT:38)	1	MODEL P/R/S/T/V/W F. NO. 101756-
20	09300-22005	BUSH	1	
21-1	08211-20341	WASHER, RH	1	MODEL P/R/S/T
21-2	09181-20251	WASHER, RH (20X34X1.0)	1	MODEL V/W
22-1	08211-22341	WASHER, LH	1	MODEL P/R/S/T
22-2	09181-22223	WASHER, LH (22X34X1.0)	1	MODEL V/W
23	24321-26D01	GEAR, 2ND DRIVEN (NT:38)	1	
24	09300-28002	BUSH	1	
25-1	09211-28381	WASHER	1	MODEL P/R/S/T
25-2	09181-28195	WASHER (28X38X1.0)	1	MODEL V/W
26	08331-31286	CIRCLIP	2	

GSX-R1100WW E28

38

AIR CLEANER..... C-11	COWLING BODY..... I-84	FRAME COVER..... H-02	FUEL TANK..... G-09	MUFFLER..... D-02	REAR MASTER CYLINDER..... L-11	STEERING DAMPER..... K-05
ALTERNATOR..... E-11	CRANKCASE COVER..... B-09	FRAME..... G-02	GEAR SHIFTING..... E-08	OIL COOLER..... D-04	REAR SWINGING ARM..... L-02	STEERING STEM..... K-04
BATTERY..... F-02	CRANKCASE..... B-06	FRONT BRAKE HOSE..... K-10	HANDLE LEVER..... H-16	OIL PAN - OIL PUMP..... B-10	REAR WHEEL..... L-06	TAIL LAMP..... F-10
CAM CHAIN..... C-04	CRANKSHAFT..... B-12	FRONT CALIPERS..... K-08	HANDLE SWITCH..... F-13	OPTIONAL..... L-13	SEAT..... J-05	TRANSMISSION..... E-06
CAM SHAFT - VALVE.. C-02	CYLINDER HEAD COVER B-02	FRONT DAMPER..... K-02	HANDLEBAR..... H-14	RADIATOR HOSE..... D-07	SIGNAL GENERATOR... E-15	TURNSIGNAL LAMP... F-09
CARBURETOR FITTINGS C-09	CYLINDER HEAD..... B-C3	FRONT FENDER..... H-13	HEADLAMP..... F-07	RADIATOR..... D-06	SPEEDOMETER..... F-04	WATER PUMP..... D-05
CARBURETOR..... C-05	CYLINDER..... B-05	FRONT MASTER CYLINDER K-12	INSTALLATION PARTS. I-08	REAR CALIPER..... L-09	STAND..... G-04	WIRING HARNESS..... F-11
CLUTCH MASTER CYLINDER K-14	ELECTRICAL..... F-03	FRONT WHEEL..... K-06	INSTALLATION PARTS. J-02	REAR CUSHION LEVER. L-04	STARTER CLUTCH..... B-14	
CLUTCH..... E-02	FOOTREST..... G-05	FUEL COCK..... G-14	LABEL..... J-04	REAR FENDER..... I-02	STARTING MOTOR..... E-10	

FIG. 20

E 7

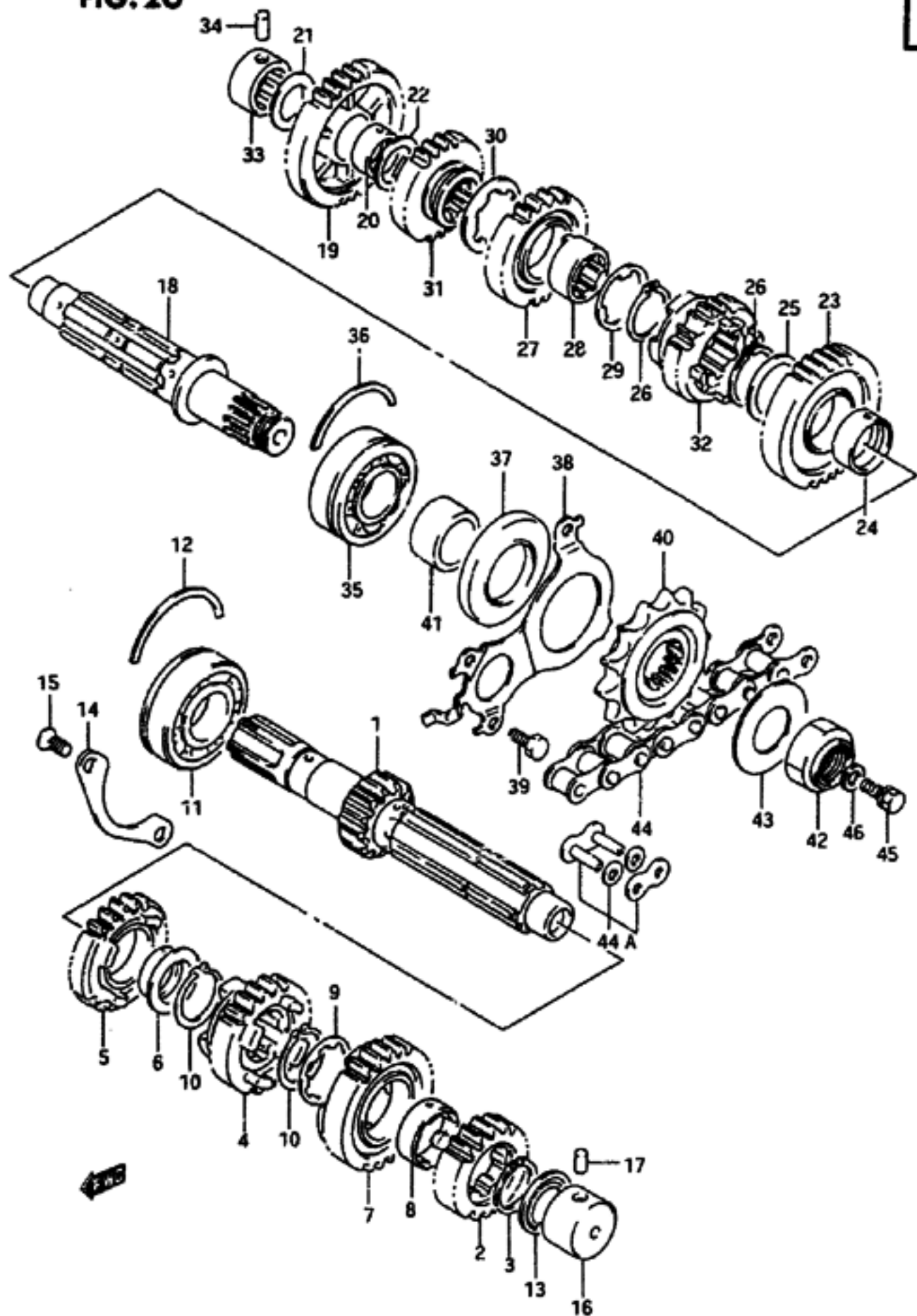


FIG. 20 (E-7) TRANSMISSION

REF. NO.	PART NO.	DESCRIPTION	Q'TY	REMARKS
27	24331-28D10	GEAR, 3RD DRIVEN (NT:31)	1	
28-1	24332-48B00	BUSH	1	MODEL P/R/S/T/V
28-2	24332-48B01	BUSH	1	MODEL W
29	09167-28C01	WASHER, RH	1	
30	09167-28C08	WASHER, LH (T:2)	1	
31-1	24341-26D00	GEAR, 4TH DRIVEN (NT:26)	1	MODEL P ~F. NO. 101755
31-2	24341-26D10	GEAR, 4TH DRIVEN (NT:26)	1	MODEL P/R F. NO. 101756~
31-3	24341-26D11	GEAR, 4TH DRIVEN (NT:26)	1	MODEL S/T/V/W
32-1	24351-26D20	GEAR, 5TH DRIVEN (NT:27)	1	MODEL P/R/S
32-2	24351-26D21	GEAR, 5TH DRIVEN (NT:27)	1	MODEL T/V/W
33	09263-20C40	BEARING, RH	1	
34	04221-07209	PIN (L:20)	1	
35	09262-28C25	BEARING, LH	1	
36	09390-70001	C RING	1	
37	09283-36C00	OIL SEAL (34.8X70X6)	1	
38	24751-17E00	PLATE, OIL SEAL	1	
39-1	01107-06107	BOLT	4	MODEL P
39-2	01500-06123	BOLT	4	MODEL R/S/T/V/W
40-1	27510-48B00	SPROCKET, ENGINE (NT:15)	1	MODEL P/R
40-2	27510-46E00	SPROCKET, ENGINE (NT:16)	1	MODEL S/T/V/W
41	09180-25C98	SPACER (25X38X17.7)	1	
42	09159-20C04	NUT	1	
43-1	08211-25A62	WASHER	1	MODEL R/S/T
43-2	09181-25268	WASHER (25X40X1.5)	1	MODEL V/W
44-1	27600-40C20-114	CHAIN, DRIVE (RK532GSV2X114LE)	1	MODEL P/R
44-2	27600-46E20-116	CHAIN, DRIVE (RK532BSV2X116LE)	1	MODEL S/T/V/W
44A	27620-46E20	. JOINT SET	1	
45-1	01147-06168	BOLT	1	MODEL P
45-2	01570-06163	BOLT	1	MODEL R/S/T/V/W
46	08212-06222	WASHER	1	

GSX-R1100W E28

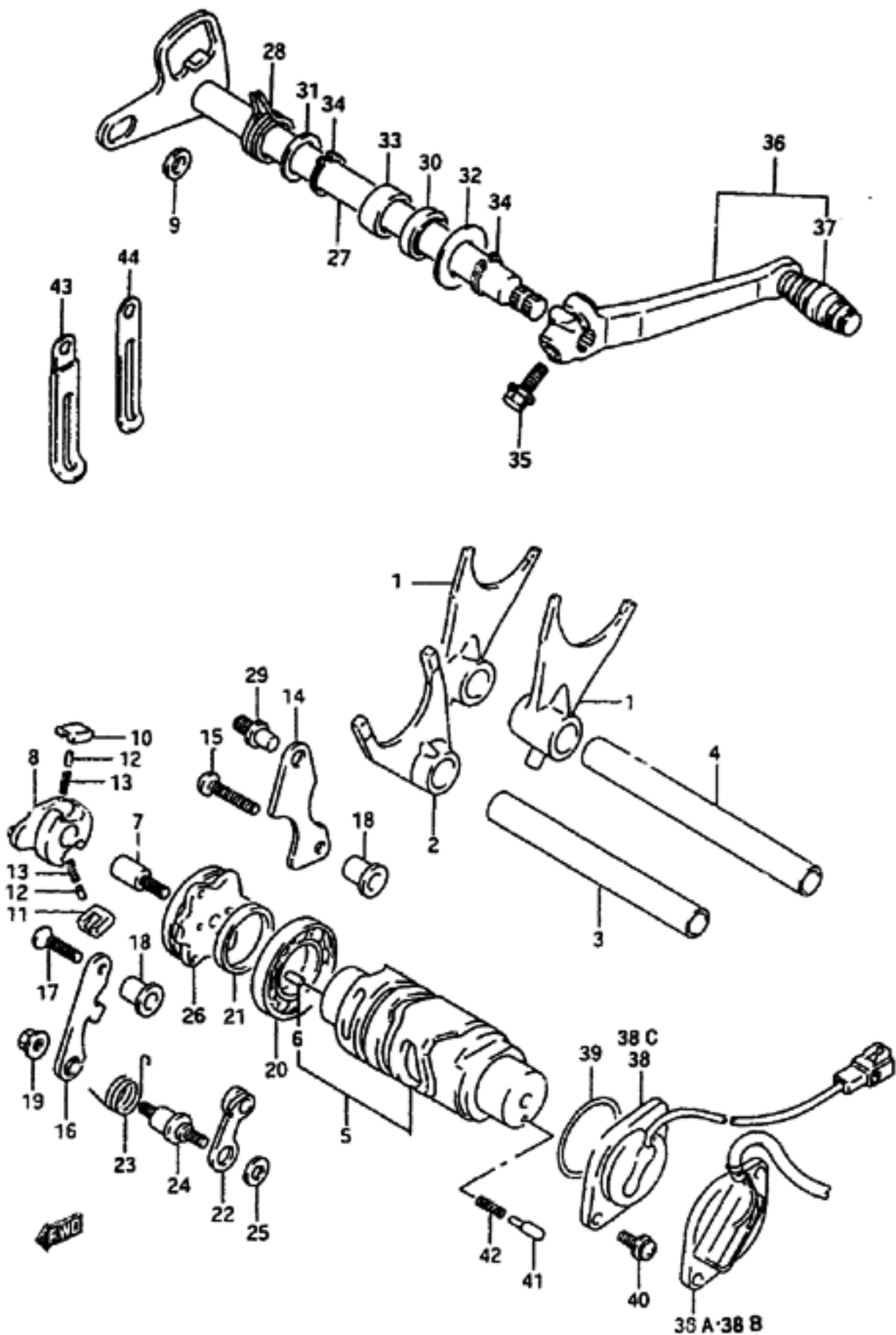
39

AIR CLEANER..... C-11	CONVING BODY..... I-04	FRAME COVER..... H-02	FUEL TANK..... G-09	MUFFLER..... D-02	REAR MASTER CYLINDER..... L-11	STEERING DAMPER..... K-05
ALTERNATOR..... E-11	CRANKCASE COVER..... B-09	FRAME..... G-02	GEAR SHIFTING..... E-08	OIL COOLER..... D-04	REAR SWINGING ARM..... L-02	STEERING STEM..... K-04
BATTERY..... F-02	CRANKCASE..... B-06	FRONT BRAKE HOSE..... K-10	HANDLE LEVER..... H-16	OIL PAN - OIL PUMP..... B-10	REAR WHEEL..... L-06	TAIL LAMP..... F-10
CAN CHAIN..... C-04	CRANKSHAFT..... B-12	FRONT CALIPERS..... K-08	HANDLE SWITCH..... F-13	OPTIONAL..... L-13	SEAT..... J-05	TRANSMISSION..... E-06
CAM SHAFT - VALVE..... C-02	CYLINDER HEAD COVER..... B-02	FRONT DAMPER..... K-02	HANDLEBAR..... H-14	RADIATOR HOSE..... D-07	SIGNAL GENERATOR..... E-15	TURNSIGNAL LAMP..... F-09
CARBURETOR FITTINGS..... C-09	CYLINDER HEAD..... B-03	FRONT FENDER..... H-13	HEADLAMP..... F-07	RADIATOR..... D-06	SPEEDOMETER..... F-04	WATER PUMP..... D-05
CARBURETOR..... C-05	CYLINDER..... B-05	FRONT MASTER CYLINDER..... K-12	INSTALLATION PARTS..... I-08	REAR CALIPER..... L-09	STAND..... G-04	WIRING HARNESS..... F-11
CLUTCH MASTER CYLINDER..... K-14	ELECTRICAL..... F-03	FRONT WHEEL..... K-06	INSTALLATION PARTS..... J-02	REAR CUSHION LEVER..... L-04	STARTER CLUTCH..... B-14	
CLUTCH..... E-02	FOOTREST..... G-05	FUEL COCK..... G-14	LABEL..... J-04	REAR FENDER..... I-02	STARTING MOTOR..... E-10	

FIG. 21

E 8

FIG. 21 (E- 8) GEAR SHIFTING



REF. NO.	PART NO.	DESCRIPTION	Q'TY	REMARKS
1	25211-17E00	FORK, GEAR SHIFTING NO. 1	2	
2	25231-46E00	FORK, GEAR SHIFTING NO. 3	1	
3	25411-26D01	SHAFT, FORK (L:110)	1	
4	25411-27A00	SHAFT, FORK (L:128)	1	
5	25310-46E00	CAM, GEAR SHIFTING	1	
6	04221-04089	PIN	2	
7	25312-12C00	PIN, SHIFT CAM DRIVEN GEAR	1	
8-1	25322-33C00	SHIFTER, CAM	1	MODEL P/R/S/T
8-2	25322-33C01	SHIFTER, CAM	1	MODEL V/W
9	09180-07014	ROLLER	1	
10	25323-34201	PAWL, NO. 1	1	
11	25324-34201	PAWL, NO. 2	1	
12	09261-05003	PIN	2	
13	09440-04003	SPRING	2	
14	25331-26D00	LIFTER, PAWL	1	
15-1	02112-06308	SCREW	1	MODEL P/R
15-2	02112-06303	SCREW	1	MODEL S/T/V/W
16	25341-17E00	GUIDE, CAM	1	
17-1	02122-06308	SCREW	1	MODEL P/R
17-2	02122-06303	SCREW	1	MODEL S/T/V/W
18	09180-06202	SPACER	2	
19-1	09159-06017	NUT	1	MODEL P
19-2	08316-10063	NUT	1	MODEL R/S/T/V/W
20-1	09262-25002	BEARING (25X47X8)	1	MODEL P
20-2	09262-25008	BEARING (25X47X8)	1	MODEL R/S/T/V/W
21	09160-25059	WASHER (25X32X3)	1	
22	25350-26D01	STOPPER, CAM	1	
23-1	25355-26D20	SPRING	1	MODEL P/R/S
23-2	25355-26D21	SPRING	1	MODEL T/V/W
24	25356-12C00	SUPPORT, STOPPER	1	
25	08211-06141	WASHER	1	
26	25380-12600	PLATE, STOPPER	1	
27	25510-17E00	SHAFT, GEAR SHIFTING	1	
28	09444-20003	SPRING	1	
29	25671-01000	STOPPER, ARM	1	

GSX-R1100WV E28

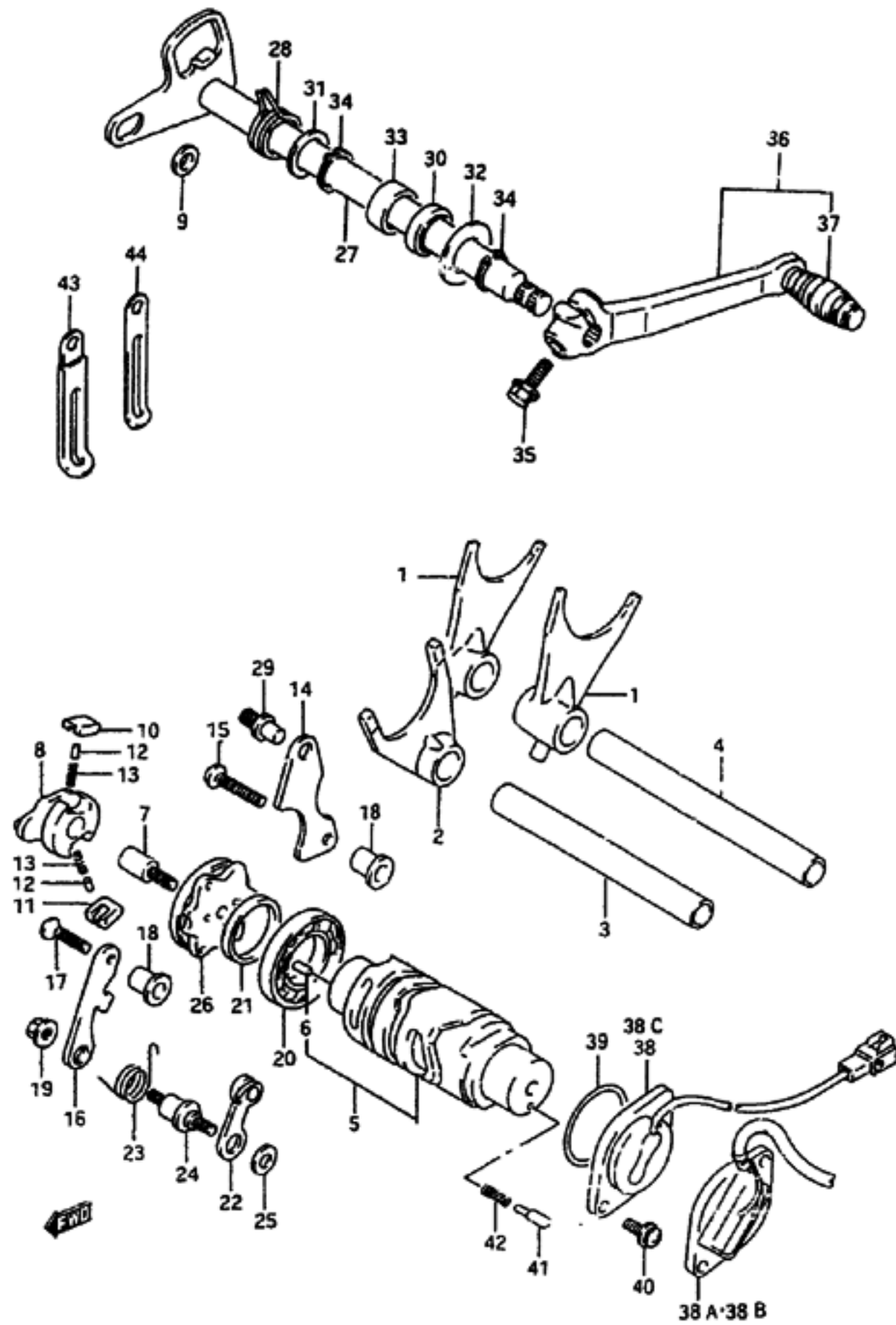
40

AIR CLEANER..... C-11	COUPLING BODY..... I-04	FRAME COVER..... H-02	FUEL TANK..... G-09	MUFFLER..... D-02	REAR MASTER CYLINDER L-11	STEERING DAMPER..... K-05
ALTERNATOR..... E-11	CRANKCASE COVER..... B-09	FRAME..... G-02	GEAR SHIFTING..... E-08	OIL COOLER..... D-04	REAR SWINGING ARM... L-02	STEERING STEN..... K-04
BATTERY..... F-02	CRANKCASE..... B-06	FRONT BRAKE HOSE... K-10	HANDLE LEVER..... H-16	OIL PAN - OIL PUMP. B-10	REAR WHEEL..... L-06	TAIL LAMP..... F-10
CAM CHAIN..... C-04	CRANKSHAFT..... B-12	FRONT CALIPERS..... K-08	HANDLE SWITCH..... F-13	OPTIONAL..... L-13	SEAT..... J-05	TRANSMISSION..... E-06
CAM SHAFT - VALVE.. C-02	CYLINDER HEAD COVER B-02	FRONT DAMPER..... K-02	HANDLEBAR..... H-14	RADIATOR HOSE..... D-07	SIGNAL GENERATOR... E-15	TURN SIGNAL LAMP... F-09
CARBURETOR FITTINGS C-09	CYLINDER HEAD..... B-03	FRONT FENDER..... H-13	HEADLAMP..... F-07	RADIATOR..... D-06	SPEEDOMETER..... F-04	WATER PUMP..... D-05
CARBURETOR..... C-05	CYLINDER..... B-05	FRONT MASTER CYLIND K-12	INSTALLATION PARTS. I-08	REAR CALIPER..... L-09	STAND..... G-04	WIRING HARNESS..... F-11
CLUTCH MASTER CYLIN K-14	ELECTRICAL..... F-03	FRONT WHEEL..... K-06	INSTALLATION PARTS. J-02	REAR CUSHION LEVER. L-04	STARTER CLUTCH..... B-14	
CLUTCH..... E-02	FOOTREST..... G-05	FUEL COCK..... G-14	LABEL..... J-04	REAR FENDER..... I-02	STARTING MOTOR..... E-10	

FIG. 21

E 9

FIG. 21 (E-9) GEAR SHIFTING



REF. NO.	PART NO.	DESCRIPTION	Q'TY	REMARKS
30-1	09283-14005	OIL SEAL	1	MODEL P
30-2	09283-14008	OIL SEAL	1	MODEL R/S/T/V/W
31-1	08211-14221	WASHER, RH	1	MODEL P/R/S/T
31-2	09181-14167	WASHER, RH (14X22X1.0)	1	MODEL V/W
32-1	09160-14034	WASHER, LH (14.2X29X0.8)	1	MODEL P
32-2	09160-14016	WASHER, LH (14X29X0.8)	1	MODEL R/S/T/V/W
33	09263-14027	BEARING (14X20X12)	1	
34	08331-31146	CIRCLIP	2	
35-1	01107-06357	BOLT	1	MODEL P
35-2	01500-06353	BOLT	1	MODEL R/S/T/V/W
36-1	25800-46E00	LEVER ASSY, GEAR SHIFTING	1	MODEL P/R
36-2	25800-46E10	LEVER ASSY, GEAR SHIFTING	1	MODEL S/T/V/W
37	25652-16500	RUBBER	1	
38	37720-48800	BASE ASSY, NEUT SW TERM	1	MODEL P/R
38A	37730-31E00	BASE ASSY, NEUT SW TERM	1	MODEL S
38B	37730-31E01	BASE ASSY, NEUT SW TERM	1	MODEL T
38C	37720-48800	BASE ASSY, NEUT SW TERM	1	MODEL V/W
39-1	09280-36001	O RING (D:2.4, ID:36.2)	1	MODEL P
39-2	09280-35006	O RING (D:2.4, ID:35.5)	1	MODEL R/S/T/V/W
40-1	02112-75168	SCREW	2	MODEL P/R
40-2	02112-75163	SCREW	2	MODEL S/T/V/W
41	09209-05011	CONTACT	1	
42	09440-04010	SPRING	1	
43-1	09404-06402	CLAMP (L:50)	5	MODEL P/R
43-2	09404-06429	CLAMP (L:45)	5	MODEL S/T/V/W
44-1	09404-06404	CLAMP (L:80)	1	
44-2	09404-06426	CLAMP (L:95)	1	
44-3	09404-06431	CLAMP (L:85)	1	MODEL S/T/V/W
44-4	09404-06433	CLAMP (L:80)	1	MODEL S/T/V/W

GSX-1100NW E28

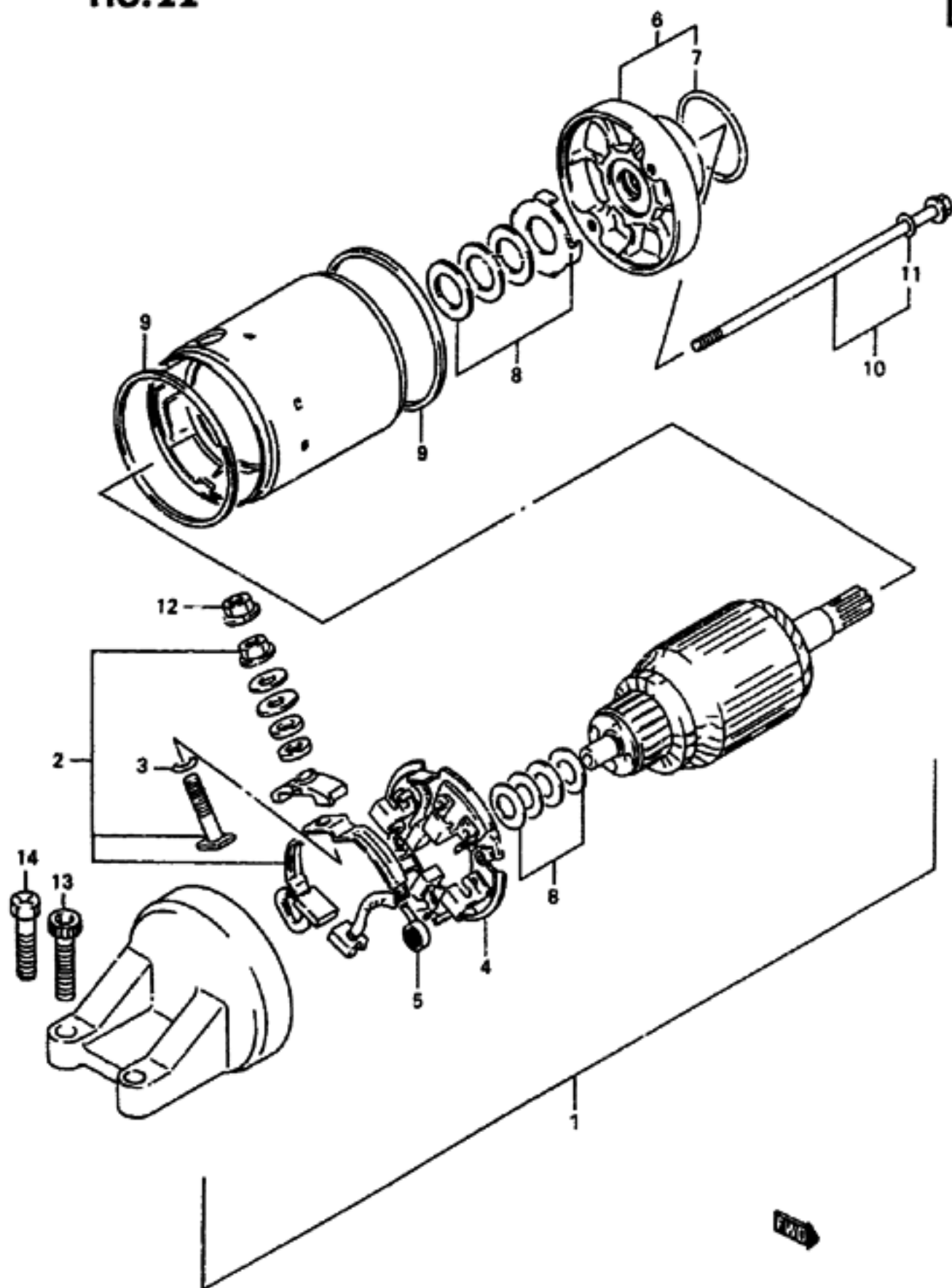
41

AIR CLEANER.....	C-11	COMLING BODY.....	I-04	FRAME COVER.....	H-02	FUEL TANK.....	G-09	MUFFLER.....	D-02	REAR MASTER CYLINDER	L-11	STEERING DAMPER.....	K-05
ALTERNATOR.....	E-11	CRANKCASE COVER.....	B-09	FRAME.....	G-02	GEAR SHIFTING.....	E-08	OIL COOLER.....	D-04	REAR SWINGING ARM..	L-02	STEERING STEM.....	K-04
BATTERY.....	F-02	CRANKCASE.....	B-06	FRONT BRAKE HOSE...	Z-10	HANDLE LEVER.....	H-16	OIL PAN - OIL PUMP..	B-10	REAR WHEEL.....	L-06	TAIL LAMP.....	F-10
CAM CHAIN.....	C-04	CRANKSHAFT.....	B-12	FRONT CALIPERS.....	K-08	HANDLE SWITCH.....	F-13	OPTIONAL.....	L-13	SEAT.....	J-05	TRANSMISSION.....	E-06
CAM SHAFT - VALVE..	C-02	CYLINDER HEAD COVER	B-02	FRONT DAMPER.....	K-02	HANDLEBAR.....	H-14	RADIATOR HOSE.....	D-07	SIGNAL GENERATOR...	E-15	TURNSIGNAL LAMP...	F-09
CARBURETOR FITTINGS	C-09	CYLINDER HEAD.....	B-03	FRONT FENDER.....	H-13	HEADLAMP.....	F-07	RADIATOR.....	D-06	SPEEDOMETER.....	F-04	WATER PUMP.....	D-05
CARBURETOR.....	C-05	CYLINDER.....	B-05	FRONT MASTER CYLIND	K-12	INSTALLATION PARTS..	I-08	REAR CALIPER.....	L-09	STAND.....	G-04	WIRING HARNESS.....	F-11
CLUTCH MASTER CYLIN	K-14	ELECTRICAL.....	F-03	FRONT WHEEL.....	K-06	INSTALLATION PARTS..	J-02	REAR CUSHION LEVER..	L-04	STARTER CLUTCH.....	B-14		
CLUTCH.....	E-02	FOOTREST.....	G-05	FUEL COCK.....	G-14	LABEL.....	J-04	REAR FENDER.....	I-02	STARTING ROTOR.....	E-10		

FIG. 22

E 10

FIG. 22 (E-10) STARTING MOTOR



REF. NO.	PART NO.	DESCRIPTION	Q'TY	REMARKS
1	31100-46E00	MOTOR ASSY, STARTING		
2-1	31130-19810	. TERMINAL SET, BRUSH	1	MODEL P/R
2-2	31130-38300	. TERMINAL SET, BRUSH	1	MODEL S/T/V/W
3-1	31143-49040	. C RING	1	MODEL P/R
3-2	31143-38300	. O RING	1	MODEL S/T/V/W
4-1	31132-46E00	. BRUSH HOLDER SET	1	MODEL P/R
4-2	31132-17E00	. BRUSH HOLDER SET	1	MODEL S/T/V/W
5-1	31135-31300	. SPRING, BRUSH	2	MODEL P/R
5-2	31135-65010	. SPRING, BRUSH	2	MODEL S/T/V/W
6-1	31150-46E00	. BRACKET ASSY, FRONT	1	MODEL P/R
6-2	31150-17E00	. BRACKET ASSY, FRONT	1	MODEL S
6-3	31150-17E01	. BRACKET ASSY, FRONT	1	MODEL T/V/W
7-1	31156-46E00	. O RING	1	MODEL P/R
7-2	31156-48800	. O RING	1	MODEL S/T/V/W
8-1	31170-19810	. WASHER SET	1	MODEL P/R
8-2	31170-43400	. WASHER SET	1	MODEL S/T/V/W
9-1	31264-31300	. O RING	2	MODEL P/R
9-2	31264-44110	. O RING	2	MODEL S/T/V/W
10-1	31280-19810	. BOLT ASSY	2	MODEL P/R
10-2	31281-88C00	. BOLT	2	MODEL S/T/V/W
11-1	31143-49040	. O RING	2	MODEL P/R
11-2	31143-38300	. O RING	1	MODEL S/T/V/W
12	08361-35068	NUT	1	
13	07120-08257	BOLT	2	MODEL P/R
14	09128-06024	SCREW (6X24)	2	MODEL S/T/V/W

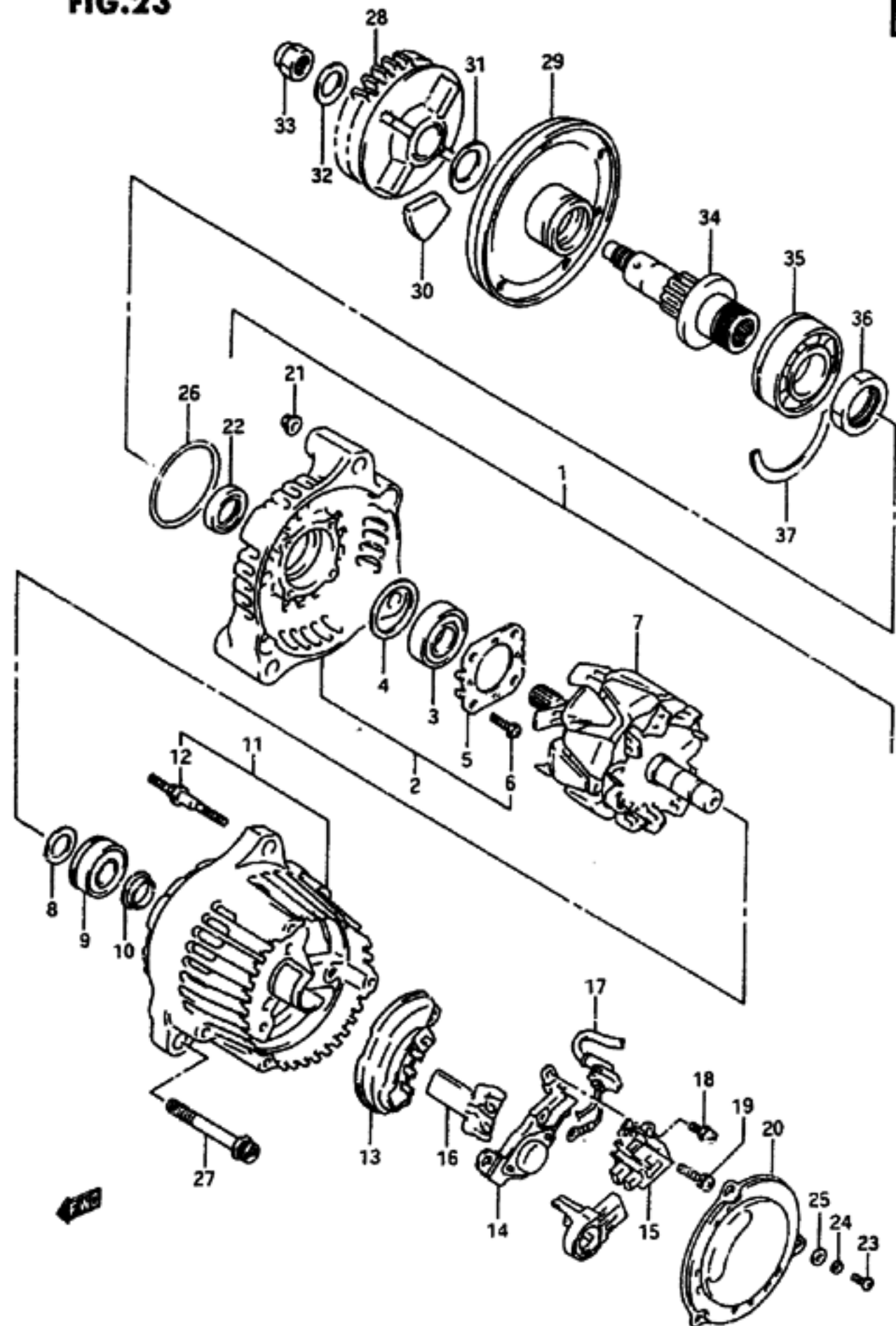
GSX-R1100WW E28

AIR CLEANER..... C-11	COMLING BODY..... I-04	FRAME COVER..... H-02	FUEL TANK..... G-09	MUFFLER..... D-02	REAR MASTER CYLINDER L-11	STEERING DAMPER..... K-05
ALTERNATOR..... E-11	CRANKCASE COV'R..... B-09	FRAME..... G-02	GEAR SHIFTING..... E-08	OIL COOLER..... D-04	REAR SWINGING ARM.. L-02	STEERING STEN..... K-04
BATTERY..... F-02	CRANKCASE..... B-04	FRONT BRAKE HOSE... K-10	HANDLE LEVER..... H-16	OIL PAN - OIL PUMP. B-10	REAR WHEEL..... L-06	TAIL LAMP..... F-10
CAM CHAIN..... C-04	CRANKSHAFT..... B-12	FRONT CALIPERS..... K-08	HANDLE SWITCH..... F-13	OPTIONAL..... L-13	SEAT..... J-05	TRANSMISSION..... E-06
CAM SHAFT - VALVE.. C-02	CYLINDER HEAD COVER 7-02	FRONT DAMPER..... K-02	HANDLEBAR..... H-14	RADIATOR HOSE..... D-07	SIGNAL GENERATOR... E-15	TURNSIGNAL LAMP... F-09
CARBURETOR FITTINGS C-09	CYLINDER HEAD..... B-03	FRONT FENDER..... H-13	HEADLAMP..... F-07	RADIATOR..... D-04	SPEEDOMETER..... F-04	WATER PUMP..... D-05
CARBURETOR..... C-05	CYLINDER..... B-05	FRONT MASTER CYLIND K-12	INSTALLATION PARTS. I-08	REAR CALIPER..... L-09	STAND..... G-04	WIRING HARNESS..... F-11
CLUTCH MASTER CYLIN K-14	ELECTRICAL..... F-03	FRONT WHEEL..... K-04	INSTALLATION PARTS. J-02	REAR CUSHION LEVER. L-04	STARTER CLUTCH..... B-14	
CLUTCH..... E-02	FOOTREST..... G-05	FUEL COCK..... G-14	LABEL..... J-04	REAR FENDER..... I-02	STARTING MOTOR..... E-10	

FIG.23

E 11

FIG. 23 (E-11) ALTERNATOR (MODEL P/R)



REF. NO.	PART NO.	DESCRIPTION	Q'TY	REMARKS
1	31400-17E02	ALTERNATOR ASSY	1	
2	31580-17E00	FRAME, DRIVE END	1	
3	31612-06B00	BEARING	1	
4	31613-48B00	COVER, BEARING	1	
5	31585-85251	RETAINER, BEARING	1	
6	31586-17E00	SCREW, BEARING RETAINER	4	
7	31710-17E02	ROTOR ASSY	1	
8	31613-82610	COVER (1)	1	
9	31612-48B00	BEARING	1	
10	31613-27A10	COVER (2)	1	
11	31611-17E00	FRAME, END	1	
12	31587-85250	STUD BOLT	2	
13	31621-27A00	HOLDER, RECTIFIER	1	
14	32500-27A00	REGULATOR	1	
15	31656-48B00	HOLDER, BRUSH	1	
16	31687-17E00	COVER, RECTIFIER	1	
17	31480-17E00	LEAD WIRE	1	
18	31516-85250	SCREW	2	
19	31688-27A00	SCREW (5X17)	3	
20	31614-17E00	COVER	1	
21	31692-17E00	NUT	2	
22	31780-48B00	OIL SEAL SET	1	
23	02112-05085	SCREW	3	
24	08321-21055	LOCK WASHER	3	
25	08322-21055	WASHER	3	
26	31156-17E00	O RING	1	
27	07120-08653	BOLT	3	
28-1	22730-46E00	GEAR, GENERATOR DRIVEN (NT:30)	1	MODEL P
28-2	22730-21E00	GEAR, GENERATOR DRIVEN (NT:30)	1	MODEL R
29-1	22734-17E00	HOUSING, DAMPER	1	MODEL P
29-2	22734-21E00	HOUSING, DAMPER	1	MODEL R
30	21231-17E10	DAMPER	8	

REFER TO FIG. 23A(E-13) FOR MODEL S/T/V/W

GSX-R1100NW E28

43

AIR CLEANER.....	C-11	COILING BODY.....	I-04	FRAME COVER.....	H-02	FUEL TANK.....	G-09	MUFFLER.....	D-02	REAR MASTER CYLINDER	L-11	STEERING DAMPER.....	K-05
ALTERNATOR.....	E-11	CRANKCASE COVER...	B-09	FRAME.....	G-02	GEAR SHIFTING.....	E-08	OIL COOLER.....	D-04	REAR SWINGING ARM..	L-02	STEERING STEM.....	K-04
BATTERY.....	F-02	CRANKCASE.....	B-06	FRONT BRAKE HOSE...	K-10	HANDLE LEVER.....	H-16	OIL PAN - OIL PUMP..	B-10	REAR WHEEL.....	L-06	TAIL LAMP.....	F-10
CAN CHAIN.....	C-04	CRANKSHAFT.....	B-12	FRONT CALIPERS.....	K-08	HANDLE SWITCH.....	F-15	OPTIONAL.....	L-17	SEAT.....	J-05	TRANSMISSION.....	E-06
CAN SHAFT - VALVE..	C-02	CYLINDER HEAD COVER	B-02	FRONT DAMPER.....	K-02	HANDLEBAR.....	H-14	RADIATOR HOSE.....	D-07	SIGNAL GENERATOR...	E-15	TURN SIGNAL LAMP....	F-09
CARBURETOR FITTINGS	C-09	CYLINDER HEAD.....	B-03	FRONT FENDER.....	H-15	HEADLAMP.....	F-07	RADIATOR.....	D-06	SPEEDOMETER.....	F-04	WATER PUMP.....	D-05
CARBURETOR.....	C-05	CYLINDER.....	B-05	FRONT MASTER CYLIND	K-12	INSTALLATION PARTS..	I-08	REAR CALIPER.....	L-09	STAND.....	G-04	WIRING HARNESS.....	F-11
CLUTCH MASTER CYLIN	K-14	ELECTRICAL.....	F-03	FRONT WHEEL.....	K-06	INSTALLATION PARTS..	J-02	REAR CUSHION LEVER..	L-04	STARTER CLUTCH.....	B-14		
CLUTCH.....	E-02	FOOTREST.....	G-05	FUEL COCK.....	G-14	LABEL.....	J-04	REAR FENDER.....	I-02	STARTING MOTOR.....	E-10		

FIG.23

E 12

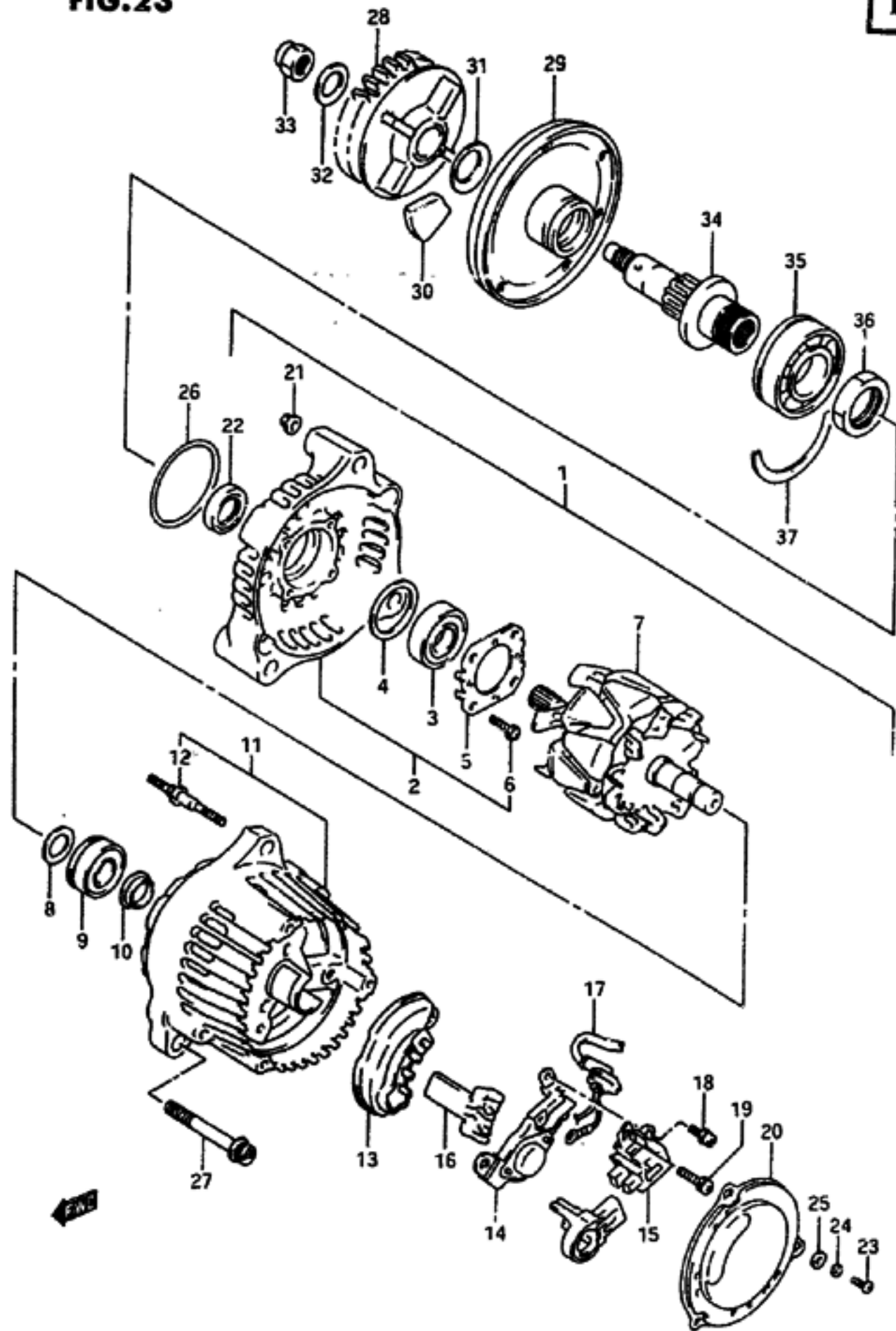


FIG. 23 (E-12) ALTERNATOR (MODEL P/R)

REF. NO.	PART NO.	DESCRIPTION	Q'TY	REMARKS
31	09164-18006	WAVE WASHER	1	
32	08211-12243	WASHER	1	
33	09159-12010	NUT	1	
34	22732-17E00	SHAFT, GENERATOR DRIVE	1	
35	09262-25110	BEARING	1	
36	09140-24012	NUT	1	
37	09390-52003	C RING	1	

REFER TO FIG. 23A(E-13) FOR MODEL S/T/V/W

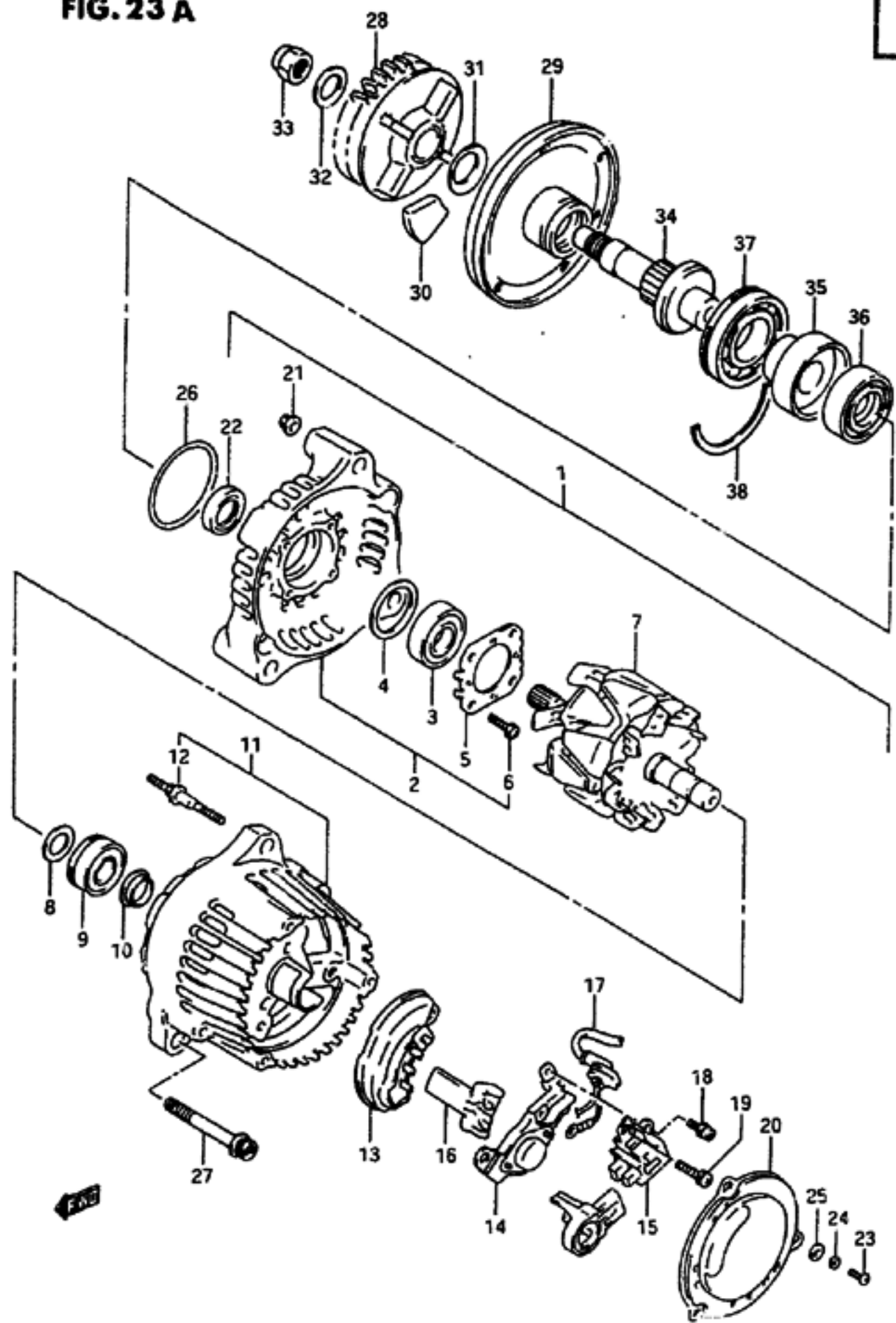
GSX-R1100WW E28

AIR CLEANER.....	C-11	COMLING BODY.....	I-04	FRAME COVER.....	H-02	FUEL TANK.....	G-09	MUFFLER.....	D-02	REAR MASTER CYLINDE	L-11	STEERING DAMPER....	X-05
ALTERNATOR.....	E-11	CRANKCASE COVER...	B-09	FRAME.....	G-02	GEAR SHIFTING.....	E-08	OIL COOLER.....	D-04	REAR SWINGING ARM..	L-02	STEERING STEM.....	K-04
BATTERY.....	F-02	CRANKCASE.....	B-06	FRONT BRAKE HOSE...	K-10	HANDLE LEVER.....	H-16	OIL PAN - OIL PUMP..	B-10	REAR WHEEL.....	L-06	TAIL LAMP.....	F-10
CAN CHAIN.....	C-04	CRANKSHAFT.....	B-12	FRONT CALIPERS.....	K-08	HANDLE SWITCH.....	F-13	OPTIONAL.....	L-13	SEAT.....	J-05	TRANSMISSION.....	E-04
CAN SHAFT - VALVE..	C-02	CYLINDER HEAD COVER	B-02	FRONT DAMPER.....	K-02	HANDLEBAR.....	H-14	RADIATOR HOSE.....	D-07	SIGNAL GENERATOR...	E-15	TURNSIGNAL LAMP....	F-09
CARBURETOR FITTINGS	C-09	CYLINDER HEAD.....	B-03	FRONT FENDER.....	H-13	HEADLAMP.....	F-07	RADIATOR.....	D-04	SPEEDOMETER.....	F-04	WATER PUMP.....	D-05
CARBURETOR.....	C-05	CYLINDER.....	B-05	FRONT MASTER CYLIND	K-12	INSTALLATION PARTS..	I-08	REAR CALIPER.....	L-09	STAND.....	G-04	WIRING HARNESS.....	F-11
CLUTCH MASTER CYLIN	K-14	ELECTRICAL.....	F-03	FRONT WHEEL.....	K-06	"T"ALLATION PARTS..	J-02	REAR CUSHION LEVER..	L-04	STARTER CLUTCH.....	B-14		
CLUTCH.....	E-02	FOOTREST.....	G-05	FUEL COCK.....	B-14	LABEL.....	J-04	REAR FENDER.....	I-02	STARTING MOTOR.....	E-10		

FIG. 23 A

E 13

FIG. 23A(E-13) ALTERNATOR (MODEL S/T/V/W)



REF. NO.	PART NO.	DESCRIPTION	Q'TY	REMARKS
1	31400-17E30	ALTERNATOR ASSY	1	
2	31580-17EGG	FRAME, DRIVE END	1	
3	31612-06B00	BEARING	1	
4	31613-48B00	COVER, BEARING	1	
5	31585-85251	RETAINER, BEARING	1	
6	31586-17E00	SCREW, BEARING RETAINER	4	
7	31710-17E30	ROTOR ASSY	1	
8	31613-82B10	COVER (1)	1	
9	31612-48B00	BEARING	1	
10	31613-27A10	COVER (2)	1	
11	31611-17E00	FRAME, END	1	
12	31587-85250	STUD BOLT	2	
13	31621-27A00	HOLDER, RECTIFIER	1	
14	32500-27A00	REGULATOR	1	
15	31656-48B00	HOLDER, BRUSH	1	
16	31687-17E00	COVER, RECTIFIER	1	
17	31480-17E00	LEAD WIRE	1	
18	02112-04063	SCREW	2	
19	31688-27A00	SCREW (5X17)	3	
20	31614-17E00	COVER	1	
21	08310-00053	NUT	2	
22	31780-27X50	OIL SEAL SET	1	
23	02112-05085	SCREW	3	
24	08321-01053	LOCK WASHER	3	
25	08322-01053	WASHER	3	
26	31156-17E00	O RING	1	
27	07120-08853	BOLT	3	
28	22730-21E00	GEAR, GENERATOR DRIVEN (NT:30)	1	
29-1	22734-21E00	HOUSING, DAMPER	1	MODEL S/T/V
29-2	22734-21E01	HOUSING, DAMPER	1	MODEL W
30	21231-17E10	DAMPER	8	
31	09164-18006	WAVE WASHER	1	
32	08211-12243	WASHER	1	
33	09159-12010	NUT	1	

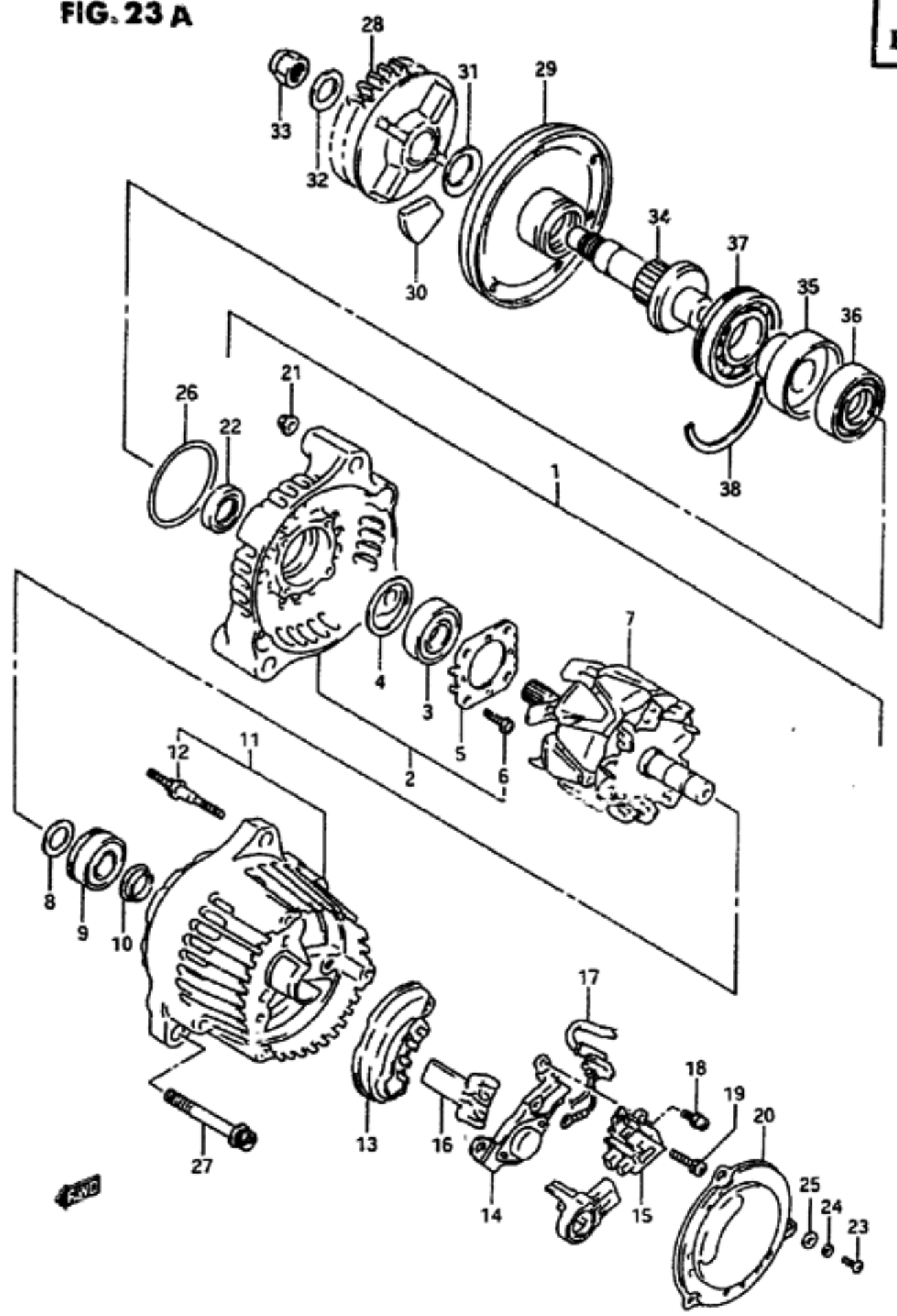
GSX-R1100WV E28

AIR CLEANER.....	C-11	COWLING BODY.....	I-04	FRAME COVER.....	H-02	FUEL TANK.....	G-09	MUFFLER.....	D-02	REAR MASTER CYLINDER	L-11	STEERING DAMPER.....	K-05
ALTERNATOR.....	E-11	CRANKCASE COVER.....	B-09	FRAME.....	G-02	GEAR SHIFTING.....	E-08	OIL COOLER.....	D-04	REAR SWINGING ARM..	L-02	STEERING STEN.....	K-04
BATTERY.....	F-02	CRANKCASE.....	B-04	FRONT BRAKE HOSE...	K-10	HANDLE LEVER.....	H-16	OIL PAN - OIL PUMP..	B-10	REAR WHEEL.....	L-06	TAIL LAMP.....	F-10
CAM CHAIN.....	C-04	CRANKSHAFT.....	B-12	FRONT CALIPERS.....	K-08	HANDLE SWITCH.....	F-13	OPTIONAL.....	L-13	SEAT.....	J-05	TRANSMISSION.....	E-04
CAM SHAFT - VALVE..	C-02	CYLINDER HEAD COVER	B-02	FRONT DAMPER.....	K-02	HANDLEBAR.....	H-14	RADIATOR HOSE.....	D-07	SIGNAL GENERATOR...	E-15	TURN SIGNAL LAMP...	F-09
CARBURETOR FITTINGS	C-09	CYLINDER HEAD.....	B-03	FRONT FENDER.....	H-13	HEADLAMP.....	F-07	RADIATOR.....	D-04	SPEEDOMETER.....	F-04	WATER PUMP.....	D-05
CARBURETOR.....	C-05	CYLINDER.....	B-05	FRONT MASTER CYLIND	K-12	INSTALLATION PARTS..	I-08	REAR CALIPER.....	L-09	STAND.....	G-04	WIRING HARNESS.....	F-11
CLUTCH MASTER CYLIN	K-14	ELECTRICAL.....	F-03	FRONT WHEEL.....	K-06	INSTALLATION PARTS..	J-02	REAR CUSHION LEVER..	L-04	STARTER CLUTCH.....	B-14		
CLUTCH.....	E-02	FOOTREST.....	G-05	FUEL COCK.....	G-14	LABEL.....	J-04	REAR FENDER.....	I-02	STARTING MOTOR.....	E-10		

FIG. 23 A

E 14

FIG. 23A(E-14) ALTERNATOR (MODEL S/T/V/W)



REF. NO.	PART NO.	DESCRIPTION	Q'TY	REMARKS
34	22732-46E00	SHAFT, GENERATOR DRIVE	1	
35	22736-46E00	HUB, GENERATOR DRIVE	1	
36	22740-46E00	COUPLING, GENERATOR	1	
37	09262-25118	BEARING (25X52X13)	1	
38	09390-52003	C RING, GENERATOR DRIVE	1	

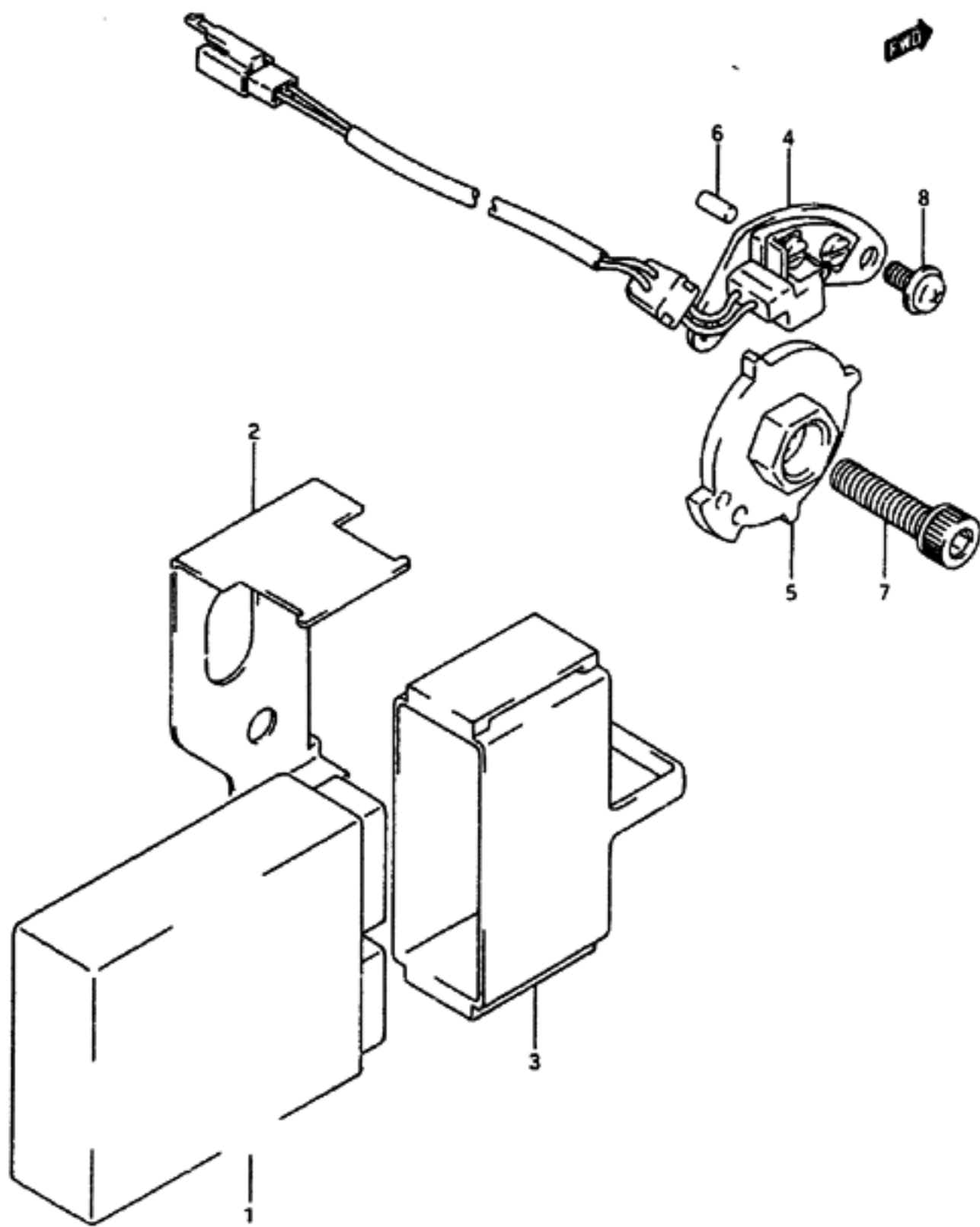
GSX-R1100NW E28
48

AIR CLEANER.....	C-11	COWLING BODY.....	I-04	FRAME COVER.....	H-02	FUEL TANK.....	G-09	MUFFLER.....	D-02	REAR MASTER CYLINDER	L-11	STEERING DAMPER.....	K-05
ALTERNATOR.....	E-11	CRANKCASE COVER.....	B-09	FRAME.....	G-02	GEAR SHIFTING.....	E-08	OIL COOLER.....	D-04	REAR SWINGING ARM..	L-02	STEERING STEM.....	K-04
BATTERY.....	F-02	CRANKCASE.....	B-06	FRONT BRAKE HOSE...	K-10	HANDLE LEVER.....	H-16	OIL PAN - OIL PUMP.	B-10	REAR WHEEL.....	L-06	TAIL LAMP.....	F-10
CAM CHAIN.....	C-04	CRANKSHAFT.....	B-12	FRONT CALIPERS.....	K-08	HANDLE SWITCH.....	F-13	OPTIONAL.....	L-13	SEAT.....	J-05	TRANSMISSION.....	E-06
CAM SHAFT - VALVE..	C-02	CYLINDER HEAD COVER	B-02	FRONT DAMPER.....	K-02	HANDLEBAR.....	H-14	RADIATOR HOSE.....	D-07	SIGNAL GENERATOR...	E-15	TURNSIGNAL LAMP....	F-09
CARBURETOR FITTINGS	C-09	CYLINDER HEAD.....	B-03	FRONT FENDER.....	H-13	HEADLAMP.....	F-07	RADIATOR.....	D-04	SPEEDOMETER.....	F-04	WATER PUMP.....	D-05
CARBURETOR.....	C-05	CYLINDER.....	B-05	FRONT MASTER CYLIND	K-12	INSTALLATION PARTS.	I-08	REAR CALIPER.....	L-09	STAND.....	G-04	WIRING HARNESS.....	F-11
CLUTCH MASTER CYLIN	K-14	ELECTRICAL.....	F-03	FRONT WHEEL.....	K-06	INSTALLATION PARTS.	J-02	REAR CUSHION LEVER.	L-04	STARTER CLUTCH.....	B-14		
CLUTCH.....	E-02	FOOTREST.....	G-05	FUEL COCK.....	G-14	LABEL.....	J-04	REAR FENDER.....	I-02	STARTING MOTOR.....	E-10		

FIG.24

E 15

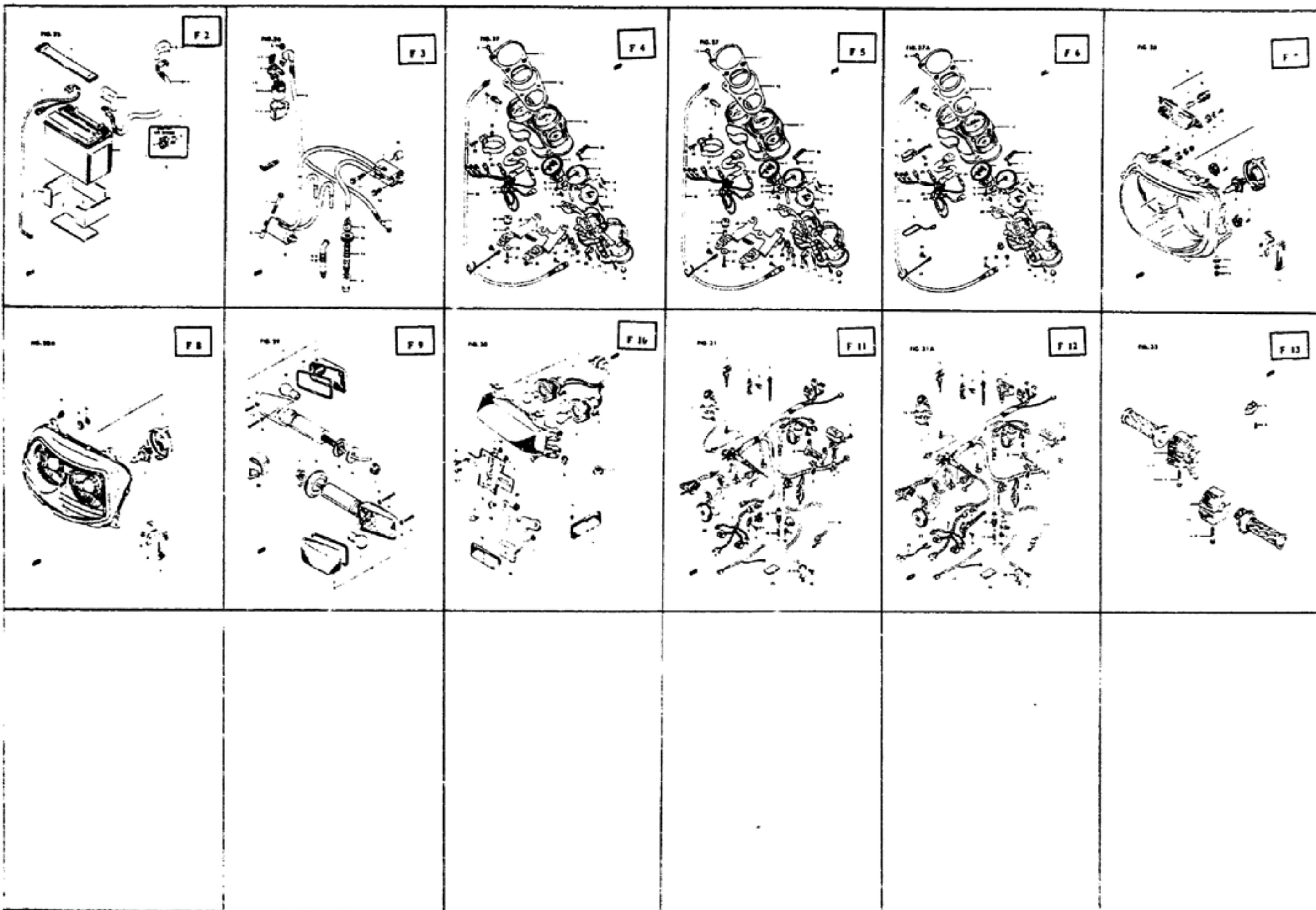
FIG. 24 (E-15) SIGNAL GENERATOR



REF. NO.	PART NO.	DESCRIPTION	Q'TY	REMARKS
1-1	32900-46E00	IGNITER	1	MODEL P/R
1-2	32900-46E40	IGNITER	1	MODEL S/T
1-3	32900-46E50	IGNITER	1	MODEL V/W
2	32931-17E00	BRACKET	1	
3	32980-40C01	CUSHION	1	
4	33110-17E00	SIGNAL GENERATOR ASSY	1	
5-1	33120-17E00	ROTOR, SIGNAL	1	MODEL P/R
5-2	33120-17E20	ROTOR, SIGNAL	1	MODEL S/T/V/W
6	04221-04089	PIN	1	
7-1	07110-08306	BOLT	1	MODEL P
7-2	07130-08303	BOLT	1	MODEL R/S/T/V/W
8-1	02152-05108	SCREW	2	MODEL P
8-2	02112-05103	SCREW	2	MODEL R/S/T/V/W

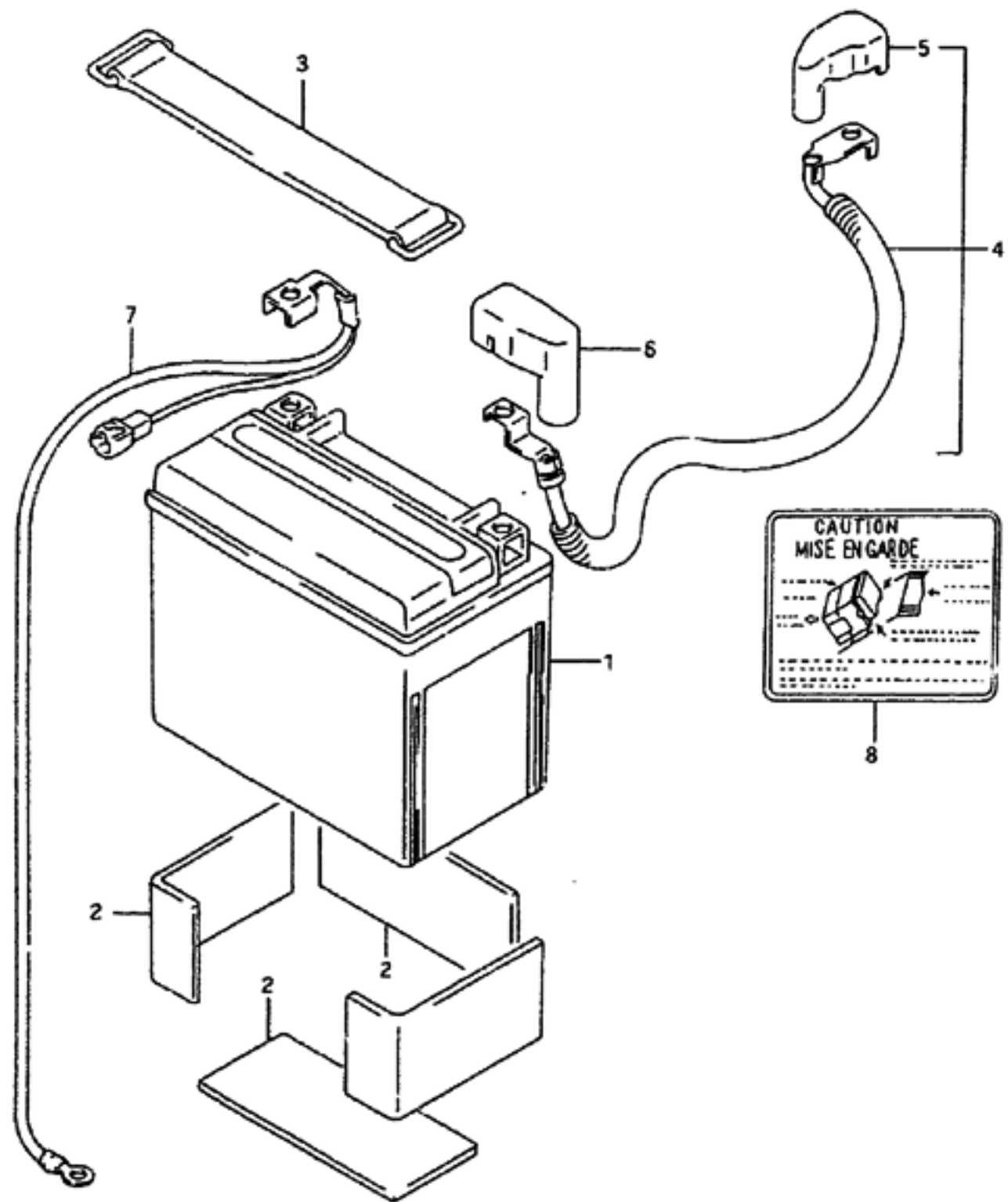
GSX-R1100MM E28
47

AIR CLEANER..... C-11	COUPLING BODY..... I-04	FRAME COVER..... H-02	FUEL TANK..... G-09	MUFFLER..... D-02	REAR MASTER CYLINDER..... L-11	STEERING DAMPER..... K-05
ALTERNATOR..... E-11	CRANKCASE COVER..... B-09	FRAME..... G-02	GEAR SHIFTING..... E-08	OIL COOLER..... D-04	REAR SWINGING ARM... L-02	STEERING STEM..... K-04
BATTERY..... F-02	CRANKCASE..... B-06	FRONT BRAKE HOSE... K-10	HANDLE LEVER..... H-16	OIL PAN - OIL PUMP. B-10	REAR WHEEL..... L-06	TAIL LAMP..... F-18
CAM CHAIN..... C-04	CRANKSHAFT..... B-12	FRONT CALIPERS..... K-08	HANDLE SWITCH..... F-13	OPTIONAL..... L-15	SEAT..... J-05	TRANSMISSION..... E-06
CAM SHAFT - VALVE.. C-02	CYLINDER HEAD COVER B-02	FRONT DAMPER..... K-02	HANDLEBAR..... H-14	RADIATOR HOSE..... D-07	SIGNAL GENERATOR... E-15	TURN SIGNAL LAMP... F-09
CARBURETOR FITTINGS C-09	CYLINDER HEAD..... B-03	FRONT FENDER..... H-13	HEADLAMP..... F-07	RADIATOR..... D-04	STAND..... G-04	WATER PUMP..... D-05
CARBURETOR..... C-05	CYLINDER..... B-05	FRONT MASTER CYLINDER K-12	INSTALLATION PARTS. I-08	REAR CALIPER..... L-09	STARTER CLUTCH..... B-14	WIRING HARNESS..... F-17
CLUTCH MASTER CYLINDER K-14	ELECTRICAL..... F-03	FRONT WHEEL..... K-06	INSTALLATION PARTS. J-02	REAR CUSHION LEVER. L-04	STARTING MOTOR..... E-10	
CLUTCH..... E-02	FOOTREST..... G-05	FUEL COCK..... G-14	LABEL..... J-04	REAR FENDER..... I-02		



AIR CLEANER.....	C-11	COMING BODY.....	I-14	FRAME COVER.....	H-02	FUEL TANK.....	G-09	MUFFLER.....	D-02	REAR MASTER CYLINDE	L-11	STEERING DAMPER....	K-05
ALTERNATOR.....	E-11	CRANKCASE COVER...	B-09	FRAME.....	G-02	GEAR SHIFTING.....	E-08	OIL COOLER.....	D-04	REAR SWINGING ARM..	L-02	STEERING STEN.....	K-04
BATTERY.....	F-02	CRANKCASE.....	B-06	FRONT BRAKE HOSE...	K-10	HANDLE LEVER.....	H-14	OIL PAN - OIL PUMP.	B-10	REAR WHEEL.....	L-06	TAIL LAMP.....	F-10
CAM CHAIN.....	C-04	CRANKSHAFT.....	B-12	FRONT CALIPERS.....	K-08	HANDLE SWITCH.....	F-13	OPTIONAL.....	I-13	SEAT.....	J-05	TRANSMISSION.....	E-06
CAM SHAFT - VALVE..	C-02	CYLINDER HEAD COVER	B-02	FRONT DAMPER.....	K-02	HANDLEBAR.....	H-14	RADIATOR HOSE.....	D-07	SIGNAL GENERATOR...	E-15	URNSIGNAL LAMP....	F-09
CARBURETOR FITTINGS	C-09	CYLINDER HEAD.....	B-03	FRONT FENDER.....	H-13	HEADLAMP.....	F-07	RADIATOR.....	D-04	SPEEDOMETER.....	F-04	WATER PUMP.....	D-05
CARBURETOR.....	C-05	CYLINDER.....	B-05	FRONT MASTER CYLIND	K-12	INSTALLATION PARTS.	I-08	REAR CALIPER.....	L-09	STAND.....	G-04	WIRING HARNESS....	F-11
CLUTCH MASTER CYLIN	K-14	ELECTRICAL.....	F-03	FRONT WHEEL.....	K-04	INSTALLATION PARTS.	J-02	REAR CUSHION LEVER.	L-04	STARTER CLUTCH.....	D-14		
CLUTCH.....	E-02	FOOTREST.....	G-05	FUEL COCK.....	G-14	LABEL.....	J-04	REAR FENDER.....	I-02	STARTING MOTOR.....	E-10		

FIG. 25



F 2

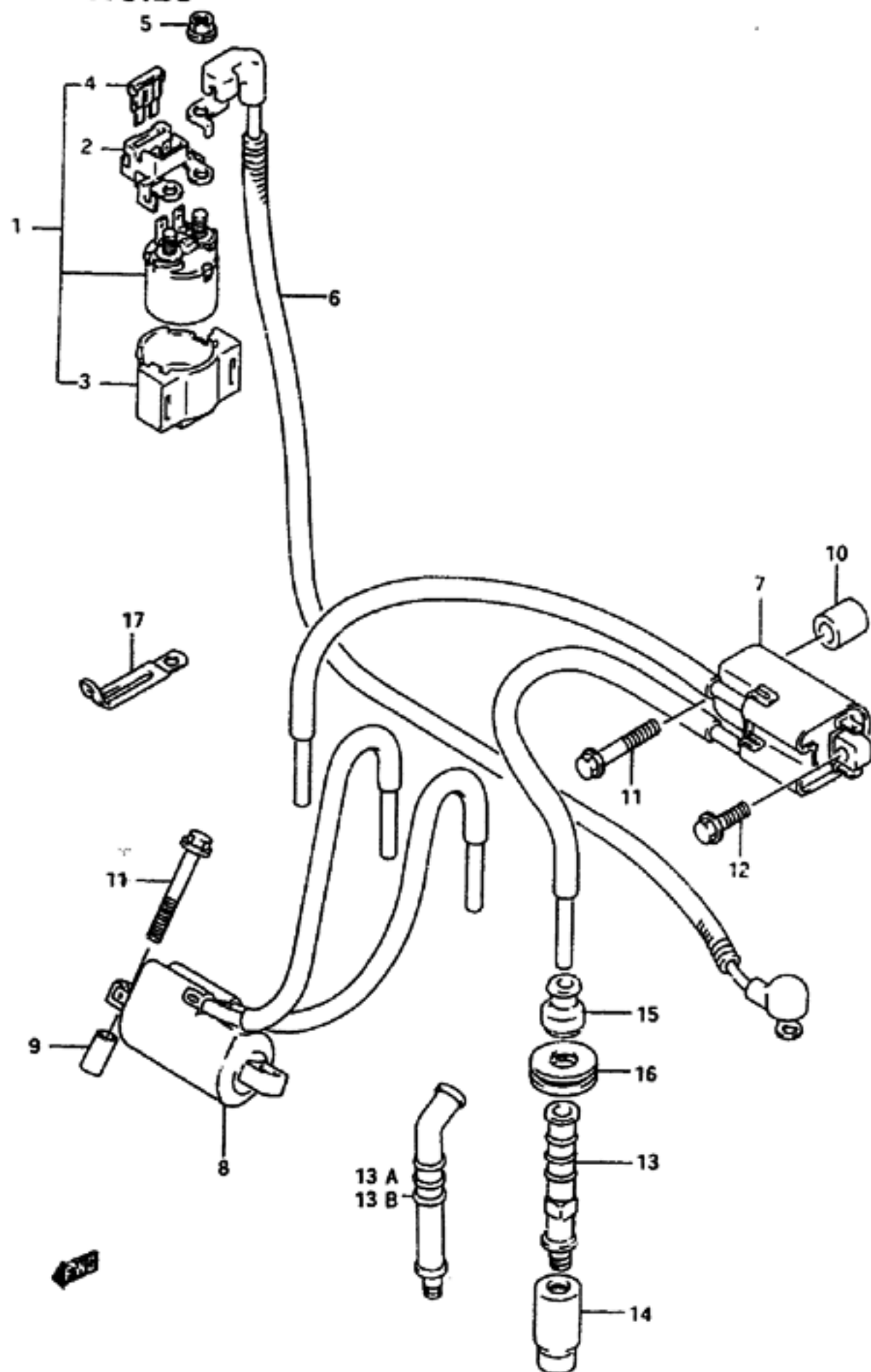
FIG. 25 (F- 2) BATTERY

REF. NO.	PART NO.	DESCRIPTION	Q'TY	REMARKS
1-1	33610-07D10	BATTERY (YTX12-BS, 12V, 10AH)	1	MODEL P/R
1-2	33610-17E10	BATTERY (YTX12-BS, 12V 10AH)	1	MODEL S/T/V/W
2	33651-37000	CUSHION	4	CUT AS REQUIRED PROFILE (50X115)
3	09462-00015	BAND	1	
4-1	33820-46E00	LEAD WIRE (+)	1	MODEL P
4-2	33820-46E01	LEAD WIRE (+)	1	MODEL R/S/T/V/W
5	33624-01D10	.CAP. TERMINAL	1	MODEL P
6-1	33624-38400	.CAP. BATTERY PLUS	1	MODEL R
6-2	33624-43500	.CAP. BATTERY PLUS	1	MODEL S/T/V/W
7	33860-46E00	LEAD WIRE (-)	1	
8	33690-17E00	PLATE, BATTERY CAUTION	1	

GSX-R1100NW E28

AIR CLEANER.....	C-11	COWLING BODY.....	I-04	FRAME COVER.....	H-02	FUEL TANK.....	G-09	MUFFLER.....	D-02	REAR MASTER CYLINDER	L-11	STEERING DAMPER.....	K-05
ALTERNATOR.....	E-11	CRANKCASE COVER.....	B-09	FRAME.....	G-02	GEAR SHIFTING.....	E-08	OIL COOLER.....	D-04	REAR SWINGING ARM..	L-02	STEERING STEM.....	K-04
BATTERY.....	F-02	CRANKCASE.....	B-06	FRONT BRAKE HOSE...	K-10	HANDLE LEVER.....	H-16	OIL PAN - OIL PUMP..	B-10	REAR WHEEL.....	L-06	TAIL LAMP.....	F-10
CAN CHAIN.....	C-04	CRANKSHAFT.....	B-12	FRONT CALIPERS.....	K-08	HANDLE SWITCH.....	F-13	OPTIONAL.....	L-13	SEAT.....	J-05	TRANSMISSION.....	E-06
CAN SHAFT - VALVE..	C-02	CYLINDER HEAD COVER	B-02	FRONT DAMPER.....	K-02	HANDLEBAR.....	H-14	RADIATOR HOSE.....	D-07	SIGNAL GENERATOR...	E-15	TURNSIGNAL LAMP....	F-09
CARBURETOR FITTINGS	C-09	CYLINDER HEAD.....	B-03	FRONT FENDER.....	H-13	HEADLAMP.....	F-07	RADIATOR.....	D-04	SPEEDOMETER.....	F-04	WATER PUMP.....	D-07
CARBURETOR.....	C-05	CYLINDER.....	B-05	FRONT MASTER CYLIND	K-12	INSTALLATION PARTS..	I-08	REAR CALIPER.....	L-09	STAND.....	G-04	WIRING HARNESS....	F-11
CLUTCH MASTER CYLIN	K-14	ELECTRICAL.....	F-03	FRONT WHEEL.....	K-06	INSTALLATION PARTS..	J-02	REAR CUSHION LEVER..	L-04	STARTER CLUTCH.....	B-14		
CLUTCH.....	E-02	FOOTREST.....	G-05	FUEL COCK.....	G-14	LABEL.....	J-04	REAR FENDER.....	I-02	STARTING MOTOR.....	E-10		

FIG.26



F 3

FIG.26 (- 3) ELECTRICAL

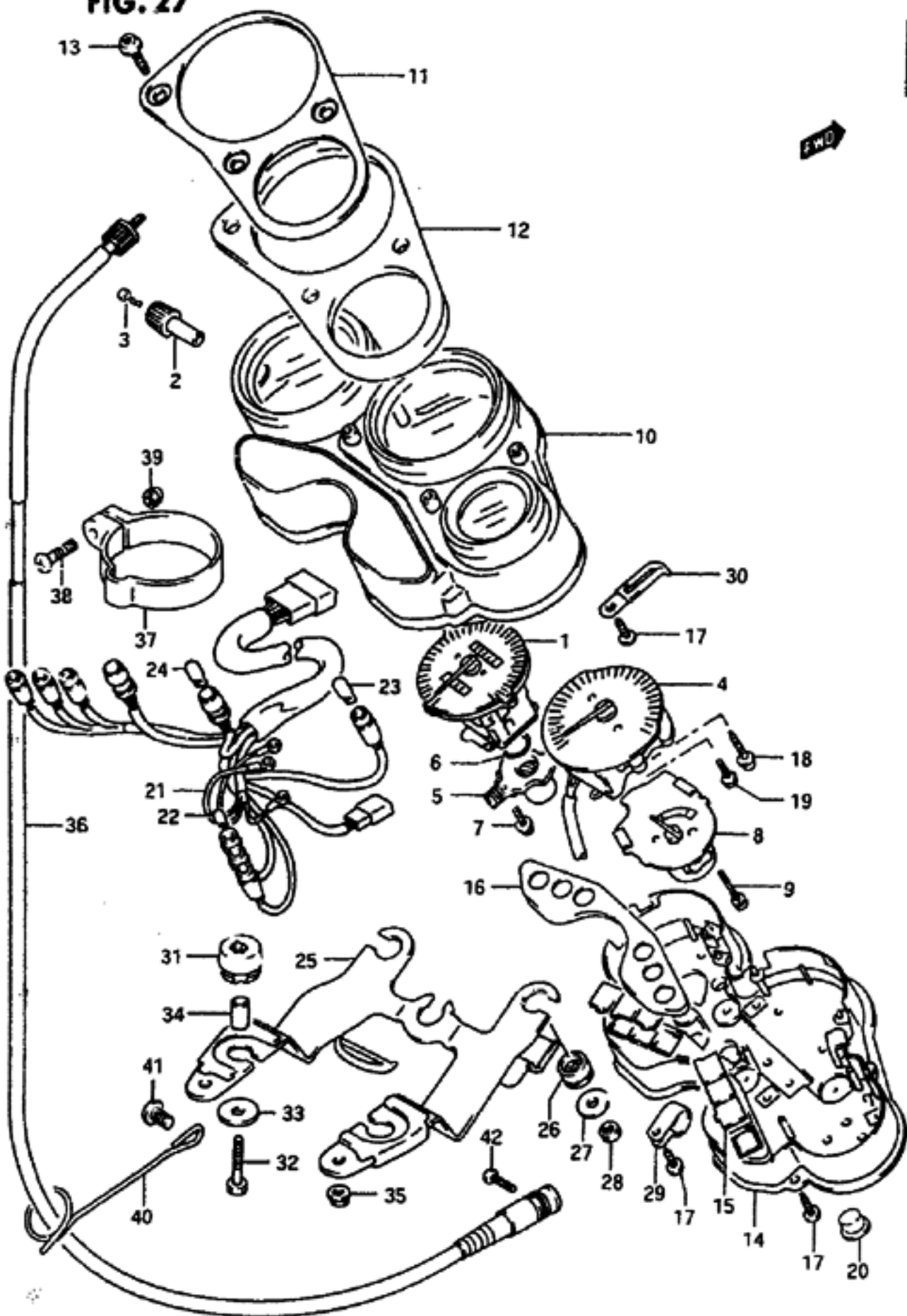
REF. NO.	PART NO.	DESCRIPTION	Q'TY	REMARKS
1	31800-07D00	RELAY, STARTING MOTOR	1	
2	31841-07D00	. TERMINAL	1	
3	31892-07D00	. HOLDER	1	
4	09481-30201	. FUSE (30A)	1	
5	08381-35068	NUT	2	
6-1	33810-46E00	LEAD WIRE, STARTING MOTOR	1	MODEL P
6-2	33810-46E01	LEAD WIRE, STARTING MOTOR	1	MODEL R/S/T/V/W
7-1	33410-17E00	COIL, IGNITION NO. 1	1	MODEL P/R
7-2	33410-46E00	COIL, IGNITION NO. 1	1	MODEL S/T/V/W
8	33420-17E00	COIL, IGNITION NO. 2	1	
9-1	09180-06072	SPACER, IGNITION COIL 2, 3	2	MODEL P/R/S/T
9-2	09180-06271	SPACER, IGNITION COIL 2, 3	2	MODEL V/W
10	33419-17E00	SPACER, IGNITION COIL 1, 4	1	
11-1	01517-06408	BOLT	3	MODEL P/R
11-2	01550-06403	BOLT	3	MODEL S/T/V/W
12-1	01517-06207	BOLT	1	MODEL P/R
12-2	01550-06203	BOLT	1	MODEL S/T/V/W
13	33510-17E00	CAP, SPARK PLUG	4	MODEL P/R
13A	33510-17E10	CAP, SPARK PLUG	4	MODEL S
13B	33510-17E11	CAP, SPARK PLUG	4	MODEL T/V/W
14	33541-20C00	SEAL, PLUG	4	
15	33542-38B00	SEAL, HIGHTENSION CORD	4	
16-1	33543-17E00	COVER	4	MODEL P/R
16-2	33543-17E01	COVER	4	MODEL S/T/V/W
17-1	09404-06404	CLAMP, HIGH TENSION CORD	2	MODEL P/R
17-2	09404-06431	CLAMP, HIGH TENSION CORD	2	MODEL S/T/V/W

GSX-R1100W E28

49

AIR CLEANER.....	C-11	COILING BODY.....	I-04	FRAME COVER.....	H-02	FUEL TANK.....	G-09	MUFFLER.....	D-02	REAR MASTER CYLINDER	L-11	STEERING DAMPER.....	K-05
ALTERNATOR.....	E-11	CRANKCASE COVER....	B-09	FRAME.....	G-02	GEAR SHIFTING.....	E-08	OIL COOLER.....	D-04	REAR SWINGING ARM..	L-02	STEERING STEM.....	K-04
BATTERY.....	F-02	CRANKCASE.....	B-06	FRONT BRAKE HOSE...	K-10	HANDLE LEVER.....	H-16	OIL PAN - OIL PUMP..	B-10	REAR WHEEL.....	L-06	TAIL LAMP.....	F-10
CAM CHAIN.....	C-04	CRANKSHAFT.....	B-12	FRONT CALIPERS.....	K-08	HANDLE SWITCH.....	F-13	OPTIONAL.....	L-13	SEAT.....	J-05	TRANSMISSION.....	E-06
CAM SHAFT - VALVE..	C-02	CYLINDER HEAD COVER	B-02	FRONT DAMPER.....	K-02	HANDLEBAR.....	H-14	RADIATOR HOSE.....	D-07	SIGNAL GENERATOR...	E-15	TURN SIGNAL LAMP....	F-09
CARBURETOR FITTINGS	C-09	CYLINDER HEAD.....	B-03	FRONT FENDER.....	H-13	HEADLAMP.....	F-07	RADIATOR.....	D-06	SPEEDOMETER.....	F-04	WATER PUMP.....	D-05
CARBURETOR.....	C-05	CYLINDER.....	B-05	FRONT MASTER CYLIND	K-12	INSTALLATION PARTS..	I-08	REAR CALIPER.....	L-09	STAND.....	G-04	WIRING HARNESS.....	F-11
CLUTCH MASTER CYLIN	K-14	ELECTRICAL.....	F-03	FRONT WHEEL.....	K-06	INSTALLATION PARTS..	J-02	REAR CUSHION LEVER..	L-04	STARTER CLUTCH.....	B-14		
CLUTCH.....	E-02	FOOTREST.....	G-05	FUEL COCK.....	G-14	LABEL.....	J-04	REAR FENDER.....	I-02	STARTING MOTOR.....	E-10		

FIG. 27



F 4

FIG. 27 (F- 4) SPEEDOMETER (MODEL P/R)

REF. NO.	PART NO.	DESCRIPTION	Q'TY	REMARKS
1	34120-46E10	SPEEDOMETER (KILO)	1	
2	34124-17E00	KNOB, TRIP	1	
3	34981-13A00	SCREW	1	
4	34220-46E10	TACHOMETEP	1	
5	34131-33450	BOX, METER GEAR	1	
6	34132-17E00	O RING	1	
7	02112-74103	SCREW	4	
8	34420-17E00	METER, TEMPARATURE	1	
9	34383-09400	SCREW (3X22)	3	
10	34150-17E00	HOOD	1	
11	34960-46E10	PANEL, METER	1	
12	34961-17E01	CUSHION	1	
13	34186-17E00	SCREW	3	
14	34111-46E10	CASE, METER	1	
15	36300-46820	. LENS SET	1	
16-1	36386-17E80	. PANEL	1	MODEL P
16-2	36386-17E00	. PANEL	1	MODEL R
17	34149-17E00	SCREW (4X14)	6	
18	34249-17E00	SCREW (4X22)	2	
19	34249-17F10	SCREW (3X10)	1	
20	34198-17E00	CAP	1	
21	34170-46E10	SOCKET	1	
22	09471-12103	BULB (12V, 3W)	6	
23	09471-12108	BULB (12V, 1.7W)	1	
24	09471-12077	BULB (12V, 1.7W)	2	
25	34950-46E10	BRACKET, METER	1	
26	34955-29B50	DAMPER	3	
27	34181-17E00	WASHER (6. 3X18X1)	3	
28	08310-00087	NUT	3	
29	34176-46E00	CLAMP	1	
30	34176-17E10	CLAMP	1	
31	09320-09041	GROMMET	2	

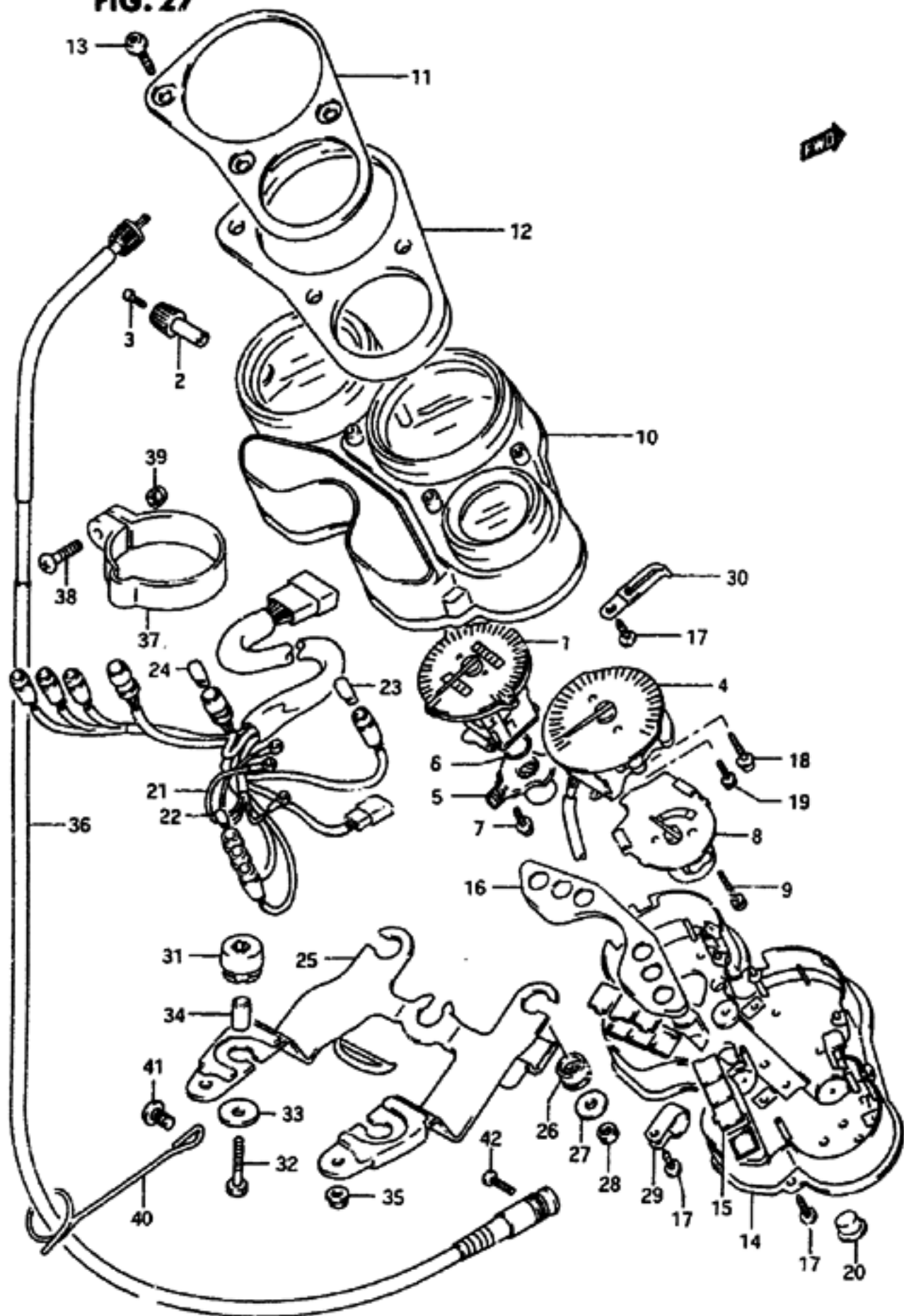
REFER TO FIG. 27A(F-6) FOR MODEL S/T/V/W

GSX-R1100WW E28

50

AIR CLEANER.....	C-11	COMPLING BODY.....	I-04	FRAME COVER.....	H-C2	FUEL TANK.....	G-09	MUFFLER.....	D-02	REAR MASTER CYLINDER	L-11	STEERING DAMPER.....	K-05
ALTERNATOR.....	E-11	CRANKCASE COVER.....	B-09	FRAME.....	G-02	GEAR SHIFTING.....	E-08	OIL COOLER.....	D-04	REAR SWINGING ARM..	L-02	STEERING STEN.....	K-04
BATTERY.....	F-02	CRANKCASE.....	B-06	FRONT BRAKE HOSE...	K-10	HANDLE LEVER.....	H-16	OIL PAN - OIL PUMP..	B-10	REAR WHEEL.....	L-06	TAIL LAMP.....	F-10
CAM CHAIN.....	C-04	CRANKSHAFT.....	B-12	FRONT CALIPERS.....	K-08	HANDLE SWITCH.....	F-13	OPTIONAL.....	L-13	SEAT.....	J-05	TRANSMISSION.....	E-06
CAM SHAFT - VALVE..	C-02	CYLINDER HEAD COVER	B-02	FRONT DAMPER.....	K-02	HANDLEBAR.....	H-14	RADIATOR HOSE.....	D-07	SIGNAL GENERATOR...	E-15	TURN SIGNAL LAMP....	F-09
CARBURETOR FITTINGS	C-09	CYLINDER HEAD.....	B-03	FRONT FENDER.....	H-13	HEADLAMP.....	F-07	RADIATOR.....	D-06	SPEEDOMETER.....	F-04	WATER PUMP.....	D-05
CARBURETOR.....	C-05	CYLINDER.....	B-05	FRONT MASTER CYLIND	K-12	INSTALLATION PARTS..	I-08	REAR CALIPER.....	L-09	STAND.....	G-04	WIRING HARNESS.....	F-11
CLUTCH MASTER CYLIN	K-14	ELECTRICAL.....	F-03	FRONT WHEEL.....	K-06	INSTALLATION PARTS..	J-02	REAR CUSHION LEVER..	L-04	STARTER CLUTCH.....	B-14		
CLUTCH.....	E-02	FOOTREST.....	G-05	FUEL COCK.....	G-14	LABEL.....	J-04	REAR FENDER.....	I-02	STARTING MOTOR.....	E-10		

FIG. 27



F 5

FIG. 27 (F- 5) SPEEDOMETER (MODEL F/R)

REF. NO.	PART NO.	DESCRIPTION	Q'TY	REMARKS
32-1	01107-06305	BOLT	2	MODEL P
32-2	01500-06303	BOLT	2	MODEL R
33	09160-06102	WASHER	2	
34	09180-06094	SPACER	2	
35	08319-31055	NUT	2	
36	34910-17E01	CABLE ASSY. SPEEDOMETER	1	
37	34938-46E00	GUIDE, CABLE NO. 1	1	
38-1	02112-05164	SCREW	1	MODEL P
38-2	02112-05163	SCREW	1	MODEL R
39-1	08313-11055	NUT	1	MODEL P
39-2	08313-10053	NUT	1	MODEL R
40	34939-45000	GUIDE, CABLE NO. 3	1	
41	02142-06107	SCREW	1	
42-1	02112-05164	SCREW	1	MODEL P
42-2	02112-05163	SCREW	1	MODEL R

REFER TO FIG. 27A(F-6) FOR MODEL S/T/V/W

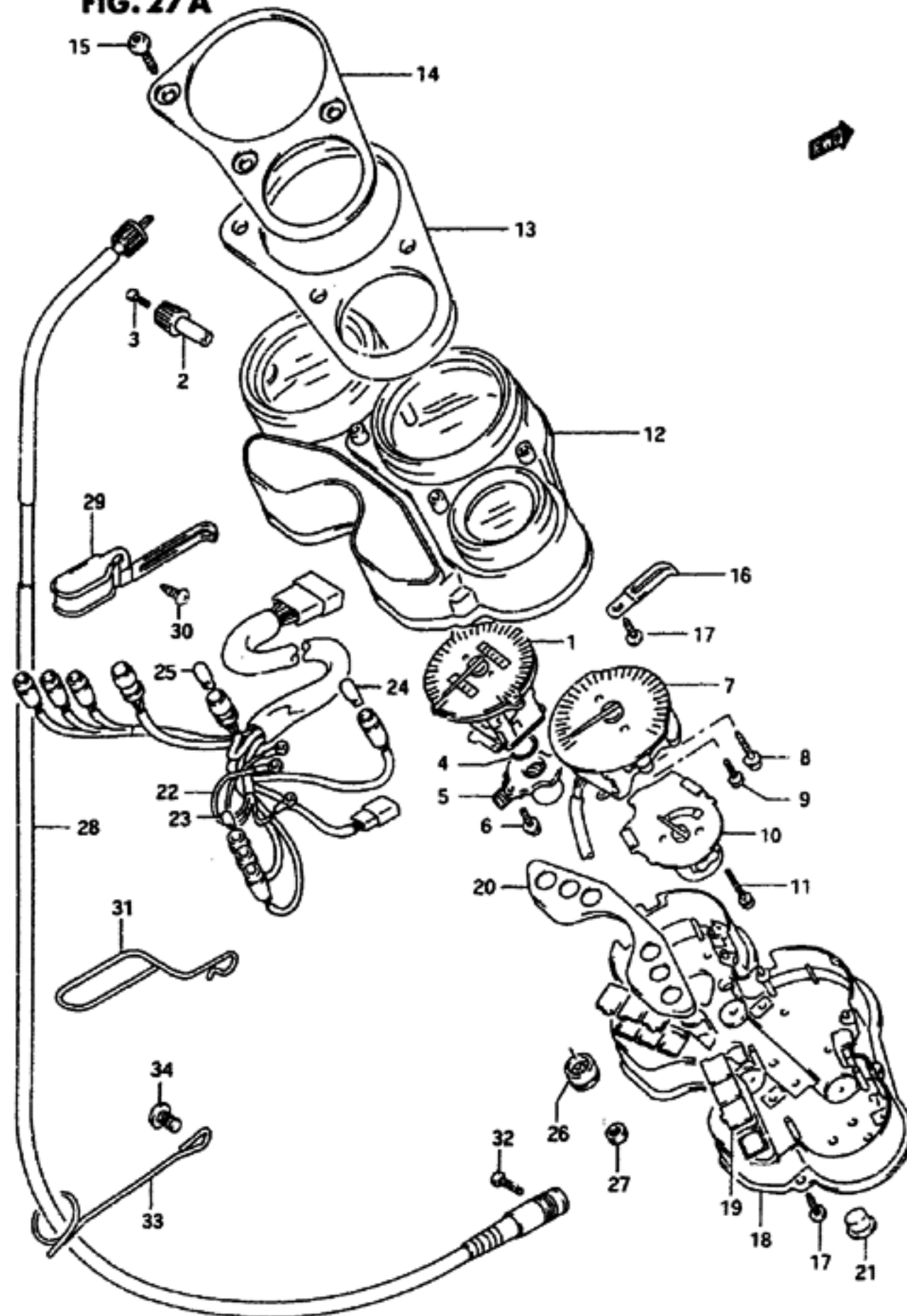
GSX-R1100WW E28

AIR CLEANER.....	C-11	COMLING BODY.....	I-04	FRAME COVER.....	H-02	FUEL TANK.....	G-09	MUFFLER.....	D-02	REAR MASTER CYLINDE	L-11	STEERING DAMPER....	K-05
ALTERNATOR.....	E-11	CRANKCASE COVER...	B-09	FRAME.....	G-02	GEAR SHIFTING.....	E-08	OIL COOLER.....	D-04	REAR SWINGING ARM..	L-02	STEERING STEN.....	K-04
BATTERY.....	F-02	CRANKCASE.....	B-04	FRONT BRAKE HOSE...	K-10	HANDLE LEVER.....	H-16	OIL PAN - OIL PUMP.	B-10	REAR WHEEL.....	L-06	TAIL LAMP.....	F-10
CAM CHAIN.....	C-04	CRANKSHAFT.....	B-12	FRONT CALIPERS.....	K-08	HANDLE SWITCH.....	F-13	OPTIONAL.....	L-13	SEAT.....	J-05	TRANSMISSION.....	E-06
CAM SHAFT - VALVE..	C-02	CYLINDER HEAD COVER	B-02	FRONT DAMPER.....	K-02	HANDLEBAR.....	H-14	RADIATOR HOSE.....	D-07	SIGNAL GENERATOR...	E-15	URNSIGNAL LAMP....	F-09
CARBURETOR FITTINGS	C-09	CYLINDER HEAD.....	B-03	FRONT FENDER.....	H-13	HEADLAMP.....	F-07	RADIATOR.....	D-04	SPEEDOMETER.....	F-04	WATER PUMP.....	D-05
CARBURETOR.....	C-05	CYLINDER.....	B-05	FRONT MASTER CYLIND	K-12	INSTALLATION PARTS.	I-08	REAR CALIPER.....	L-09	STAND.....	G-04	WIRING HARNESS....	F-11
CLUTCH MASTER CYLIN	K-14	ELECTRICAL.....	F-03	FRONT MHEE'.....	K-06	INSTALLATION PARTS.	J-02	REAR CUSHION LEVER.	L-04	STARTER CLUTCH.....	B-14		
CLUTCH.....	E-02	FOOTREST.....	G-05	FUEL COCK.....	G-14	LABEL.....	J-04	REAR FENDER.....	I-02	STARTING MOTOR.....	E-10		

FIG. 27 A

FIG. 27A(F- 6) SPEEDOMETER (MODEL S/T/V/W)

F 6

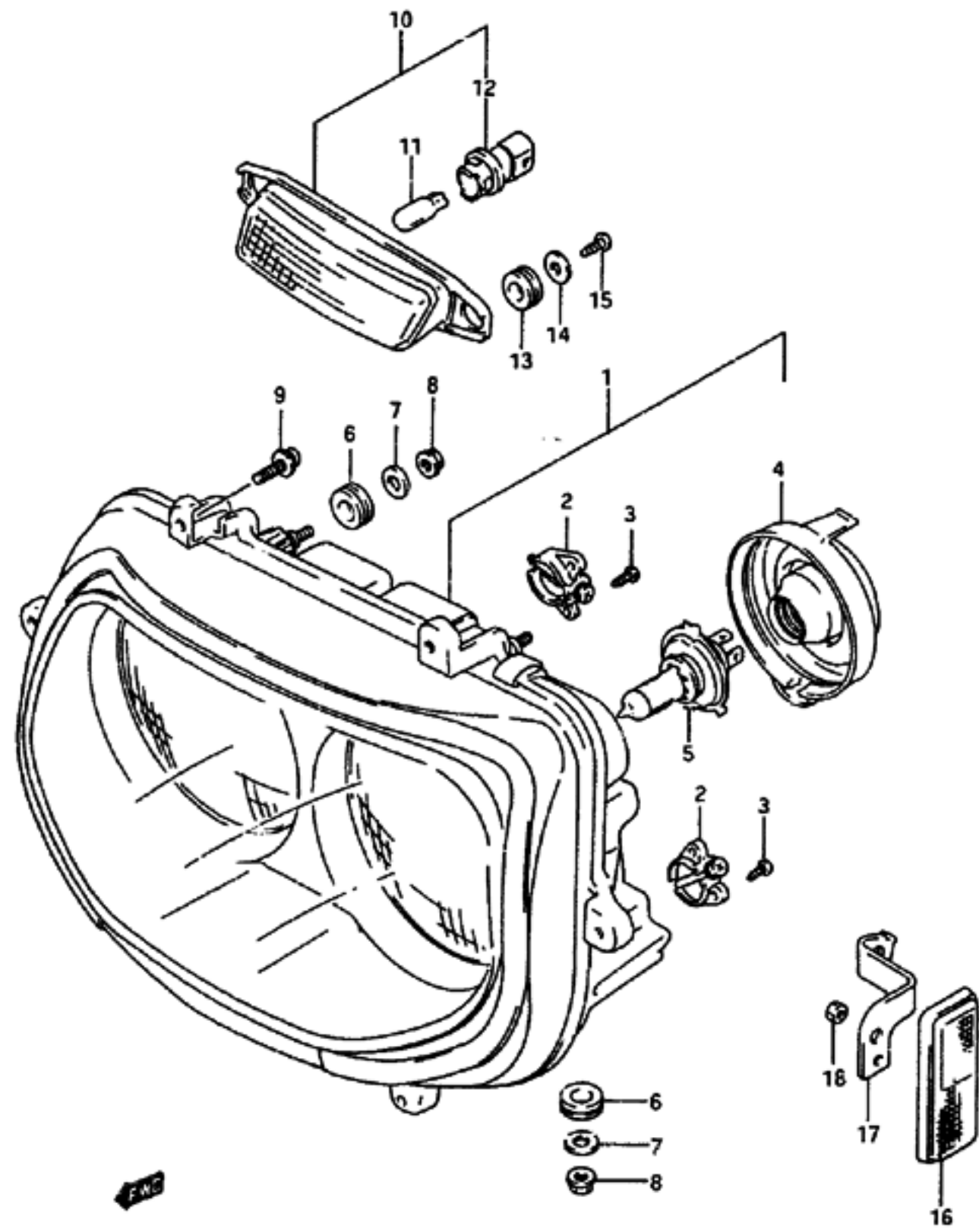


REF. NO.	PART NO.	DESCRIPTION	Q'TY	REMARKS
1	34120-46E11	SPEEDOMETER (KILO)	1	
2	34124-17E00	KNOB, TRIP	1	
3	09139-02003	SCREW (2X6)	1	
4	34132-17E00	O RING	1	
5-1	34131-33450	BOX, METER GEAR	1	MODEL S/T
5-2	34131-19B00	BOX, METER GEAR	1	MODEL V/W
6	02112-74103	SCREW	4	
7	34220-46E11	TACHOMETER	1	
8	34249-17E00	SCREW (4X22)	2	
9	34149-19D00	SCREW (3X10)	1	
10	34420-17E00	METER, TEMPARATURE	1	
11	34383-09400	SCREW (3X22)	3	
12	34150-17E30	HOOD	1	
13	34961-17E01	CUSHION	1	
14	34960-46E10	PANEL, METER	1	
15	34186-17E00	SCREW	3	
16	09404-06429	CLAMP	1	
17	03541-04183	SCREW	6	
18	34111-46E10	CASE, METER	1	
19	36300-46B20	. LENS SET	1	
20	36386-17E00	. PANEL	1	
21	34198-17E00	CAP	1	
22	34170-46E30	SOCKET	1	
23	09471-12103	BULB (12V, 3W)	6	
24	09471-12108	BULT (12V, 1. 7W)	1	
25	09471-12077	BULB (12V, 1. 7W)	2	
26	34955-17E00	DAMPER	3	
27	09159-06076	NUT	3	
28	34910-24D10	CABLE ASSY, SPEEDOMETER	1	
29	34938-46E10	GUIDE, CABLE NO. 1	1	
30	03541-05083	SCREW	2	
31	34938-17E30	GUIDE, CABLE NO. 2	1	
32	02112-05163	SCREW	1	
33	34939-45000	GUIDE, CABLE NO. 3	1	
34	02142-06103	SCREW	1	

GSX-R1100NW E28
52

AIR CLEANER.....	C-11	COUING BODY.....	I-04	FRAME COVER.....	H-02	FUEL TANK.....	G-09	MUFFLER.....	D-02	REAR MASTER CYLIND	L-11	STEERING DAMPER....	K-05
ALTERNATOR.....	E-11	CRANKCASE COVER...	B-09	FRAME.....	G-02	GEAR SHIFTING.....	E-08	OIL COOLER.....	D-04	REAR SWINGING ARM..	L-02	STEERING STEM.....	K-04
BATTERY.....	F-02	CRANKCASE.....	B-06	FRONT BRAKE HOSE...	K-10	HANDLE LEVER.....	H-16	OIL PAN - OIL PUMP.	B-10	REAR WHEEL.....	L-06	TAIL LAMP.....	F-10
CAM CHAIN.....	C-04	CRANKSHAFT.....	B-12	FRONT CALIPERS.....	K-08	HANDLE SWITCH.....	F-13	OPTIONAL.....	L-13	SEAT.....	J-05	TRANSMISSION.....	E-06
CAM SHAFT - VALVE..	C-02	CYLINDER HEAD COVER	B-02	FRONT DAMPER.....	K-02	HANDLEBAR.....	H-14	RADIATOR HOSE.....	D-07	SIGNAL GENERATOR...	E-15	TURN SIGNAL LAMP...	F-09
CARBURETOR FITTINGS	C-09	CYLINDER HEAD.....	B-03	FRONT FENDER.....	H-13	HEADLAMP.....	F-07	RADIATOR.....	D-04	SPEEDOMETER.....	F-04	WATER PUMP.....	D-05
CARBURETOR.....	C-05	CYLINDER.....	B-05	FRONT MASTER CYLIND	K-12	INSTALLATION PARTS.	I-08	REAR CALIPER.....	L-09	STAND.....	G-04	WIRING HARNESS.....	F-11
CLUTCH MASTER CYLIN	K-14	ELECTRICAL.....	F-03	FRONT WHEEL.....	K-06	INSTALLATION PARTS.	J-02	REAR CUSHION LEVER.	L-04	STARTER CLUTCH.....	B-14		
CLUTCH.....	E-02	FOOTREST.....	G-05	FUEL COCK.....	G-14	LABEL.....	J-04	REAR FENDER.....	I-02	STARTING MOTOR.....	E-10		

FIG. 28



F 7

FIG. 28 (F- 7) HEADLAMP (MODEL P/R)

REF. NO.	PART NO.	DESCRIPTION	Q'TY	REMARKS
1	35100-17E00-999	HEADLAMP ASSY	1	
2	35250-33C10	. GEAR UNIT ASSY	4	
3	03511-04163	. SCREW	8	
4	35173-41C00	. COVER, SOCKET	2	
5	09471-12060	BULB (12V, 60/55W)	2	
6	09320-09034	CUSHION	4	
7	09160-06092	WASHER	4	
8-1	08310-11065	NUT	4	MODEL P
8-2	08310-00063	NUT	4	MODEL R
9-1	02112-75165	SCREW	6	MODEL P
9-2	02112-75163	SCREW	6	MODEL R
10	36110-17E00	LAMP ASSY, FRONT POSITION	1	
11	09471-12081	. BULB (12V, 5W)	1	
12	36118-41C00	. SOCKET	1	
13	09320-08051	CUSHION	2	
14	09160-04014	WASHER	2	
15-1	03541-04105	SCREW	2	MODEL P
15-2	03541-04103	SCREW	2	MODEL R
16	35950-43431	REFLECTOR, FRONT SIDE	2	
17-1	35956-17D00	BRACKET, RH	1	
17-2	35957-17D00	BRACKET, LH	1	
18	08310-00053	NUT	2	

REFER TO FIG. 28A(F-8) FOR MODEL S/T/V/W

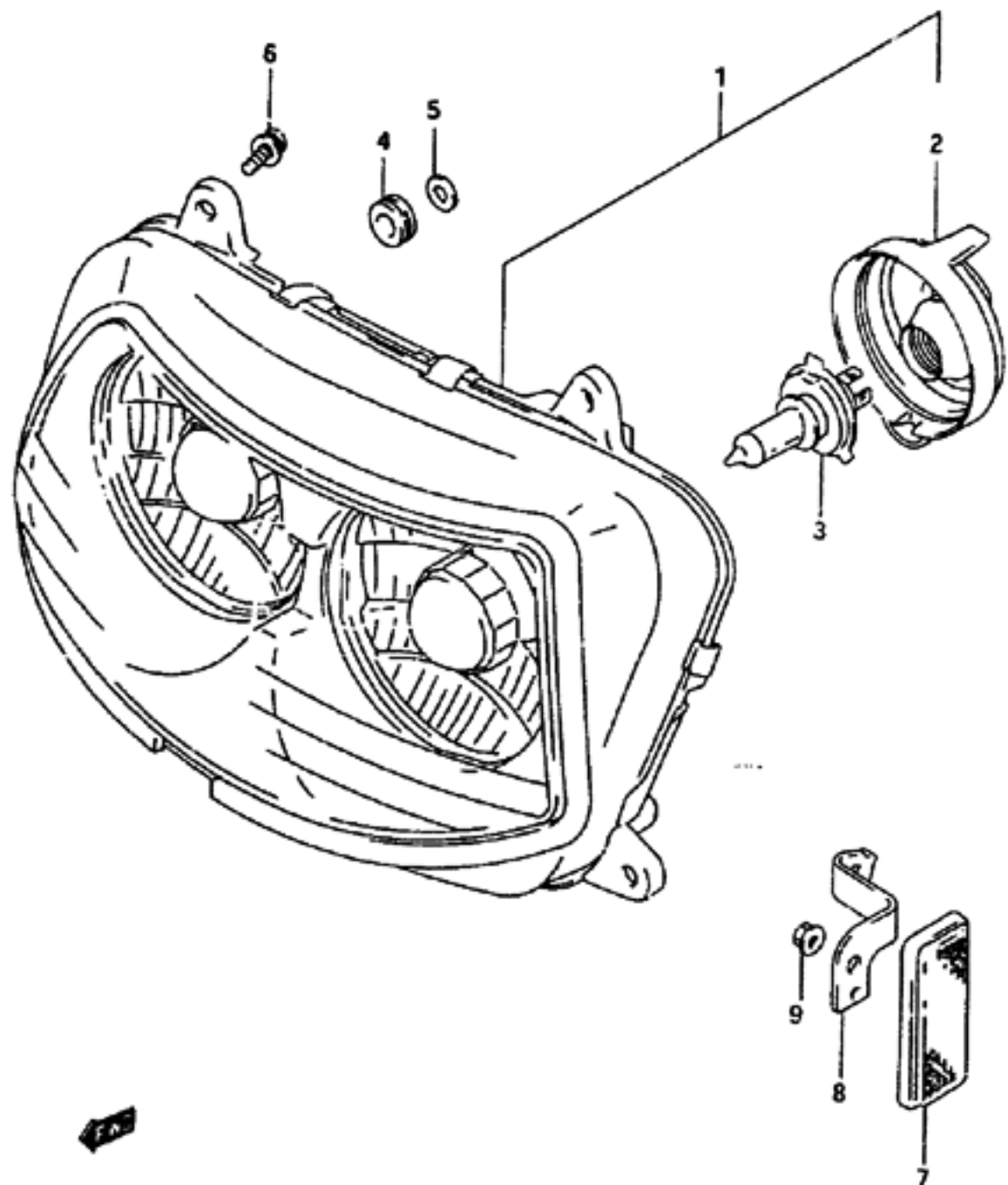
GSX-R1100WW E28
53

AIR CLEANER.....	C-11	COILING BODY.....	I-04	FRAME COVER.....	H-02	FUEL TANK.....	G-09	MUFFLER.....	D-02	REAR MASTER CYLINDER	L-11	STEERING DAMPER.....	K-05
ALTERNATOR.....	E-11	CRANKCASE COVER.....	B-09	FRAME.....	G-02	GEAR SHIFTING.....	E-08	OIL COOLER.....	D-04	REAR SWINGING ARM..	L-02	STEERING STEM.....	K-04
BATTERY.....	F-02	CRANKCASE.....	B-06	FRONT BRAKE HOSE.....	K-18	HANDLE LEVER.....	H-16	OIL PAN - OIL PUMP..	B-10	REAR WHEEL.....	L-06	TAIL LAMP.....	F-10
CAM CHAIN.....	C-04	CRANKSHAFT.....	B-12	FRONT CALIPERS.....	K-08	HANDLE SWITCH.....	F-13	OPTIONAL.....	L-13	SEAT.....	J-05	TRANSMISSION.....	E-06
CAM SHAFT - VALVE..	C-02	CYLINDER HEAD COVER	B-02	FRONT DAMPER.....	K-02	HANDLEBAR.....	H-14	RADIATOR HOSE.....	D-07	SIGNAL GENERATOR...	E-15	TURNSIGNAL LAMP....	F-09
CARBURETOR FITTINGS	C-09	CYLINDER HEAD.....	B-03	FRONT FENDER.....	H-13	HEADLAMP.....	F-07	RADIATOR.....	D-06	SPEEDOMETER.....	F-04	WATER PUMP.....	D-05
CARBURETOR.....	C-05	CYLINDER.....	B-05	FRONT MASTER CYLIND	K-12	INSTALLATION PARTS..	I-08	REAR CALIPER.....	L-09	STAND.....	G-04	WIRING HARNESS.....	F-11
CLUTCH MASTER CYLIL	K-14	ELECTRICAL.....	F-03	FRONT WHEEL.....	K-06	INSTALLATION PARTS..	J-02	REAR CUSHION LEVER..	L-04	STARTER CLUTCH.....	B-14		
CLUTCH.....	E-02	FOOTREST.....	G-05	FUEL COCK.....	G-14	LABEL.....	J-04	REAR FENDER.....	I-02	STARTING MOTOR.....	E-10		

FIG. 28 A

F 8

FIG. 28A(F- 8) HEADLAMP (MODEL S/T/V/W)



REF. NO.	PART NO.	DESCRIPTION	Q'TY	REMARKS
1	35100-18E00-999	HEADLAMP ASSY	1	
2	35173-18E00	.COVER, SOCKET	1	
3	09471-12060	BUL.B (12V60/55W, H4)	1	
4	09320-08051	CUSHION	4	
5	09160-05037	WASHER (5. 5X16X1. 20)	8	
6	03511-05163	SCREW	8	
7	35950-43431	REFLECTOR, FRONT SIDE	2	
8-1	35956-17000	BRACKET, RH	1	
8-2	35957-17000	BRACKET, LH	1	
9	08310-00053	NUT	2	

GSX-R1100WW E28

AIR CLEANER.....	C-11	COWLING BODY.....	I-04	FRAME COVER.....	H-02	FUEL TANK.....	G-09	MUFFLER.....	D-02	REAR MASTER CYLINDER.....	L-11	STEERING DAMPER.....	K-05
ALTERNATOR.....	E-11	CRANKCASE COVER.....	B-09	FRAME.....	G-02	GEAR SHIFTING.....	E-08	OIL COOLER.....	D-04	REAR SWINGING ARM.....	L-02	STEERING STEM.....	K-04
BATTERY.....	F-02	CRANKCASE.....	B-06	FRONT BRAKE HOSE.....	K-10	HANDLE LEVER.....	H-16	OIL PAN - OIL PUMP.....	B-10	REAR WHEEL.....	L-06	TAIL LAMP.....	F-10
CAM CHAIN.....	C-04	CRANKSHAFT.....	B-12	FRONT CALIPERS.....	K-08	HANDLE SWITCH.....	F-13	OPTIONAL.....	L-13	SEAT.....	J-05	TRANSMISSION.....	E-06
CAM SHAFT - VALVE..	C-02	CYLINDER HEAD COVER	B-02	FRONT DAMPER.....	K-02	HANDLEBAR.....	H-14	RADIATOR HOSE.....	D-07	SIGNAL GENERATOR.....	E-15	TURN SIGNAL LAMP.....	F-09
CARBURETOR FITTINGS	C-09	CYLINDER HEAD.....	B-03	FRONT FENDER.....	H-13	HEADLAMP.....	F-07	RADIATOR.....	D-06	SPEEDOMETER.....	F-04	WATER PUMP.....	D-05
CARBURETOR.....	C-05	CYLINDER.....	B-05	FRONT MASTER CYLINDER	K-12	INSTALLATION PARTS. I-08	I-08	REAR CALIPER.....	L-09	STAND.....	G-04	WIRING HARNESS.....	F-11
CLUTCH MASTER CYLINDER	K-14	ELECTRICAL.....	F-03	FRONT WHEEL.....	K-04	INSTALLATION PARTS. J-02	J-02	REAR CUSHION LEVER.....	L-04	STARTER CLUTCH.....	B-14		
CLUTCH.....	E-02	FOOTREST.....	G-05	FUEL COCK.....	G-14	LABEL.....	J-04	REAR FENDER.....	I-02	STARTING MOTOR.....	E-10		

FIG. 29

F 9

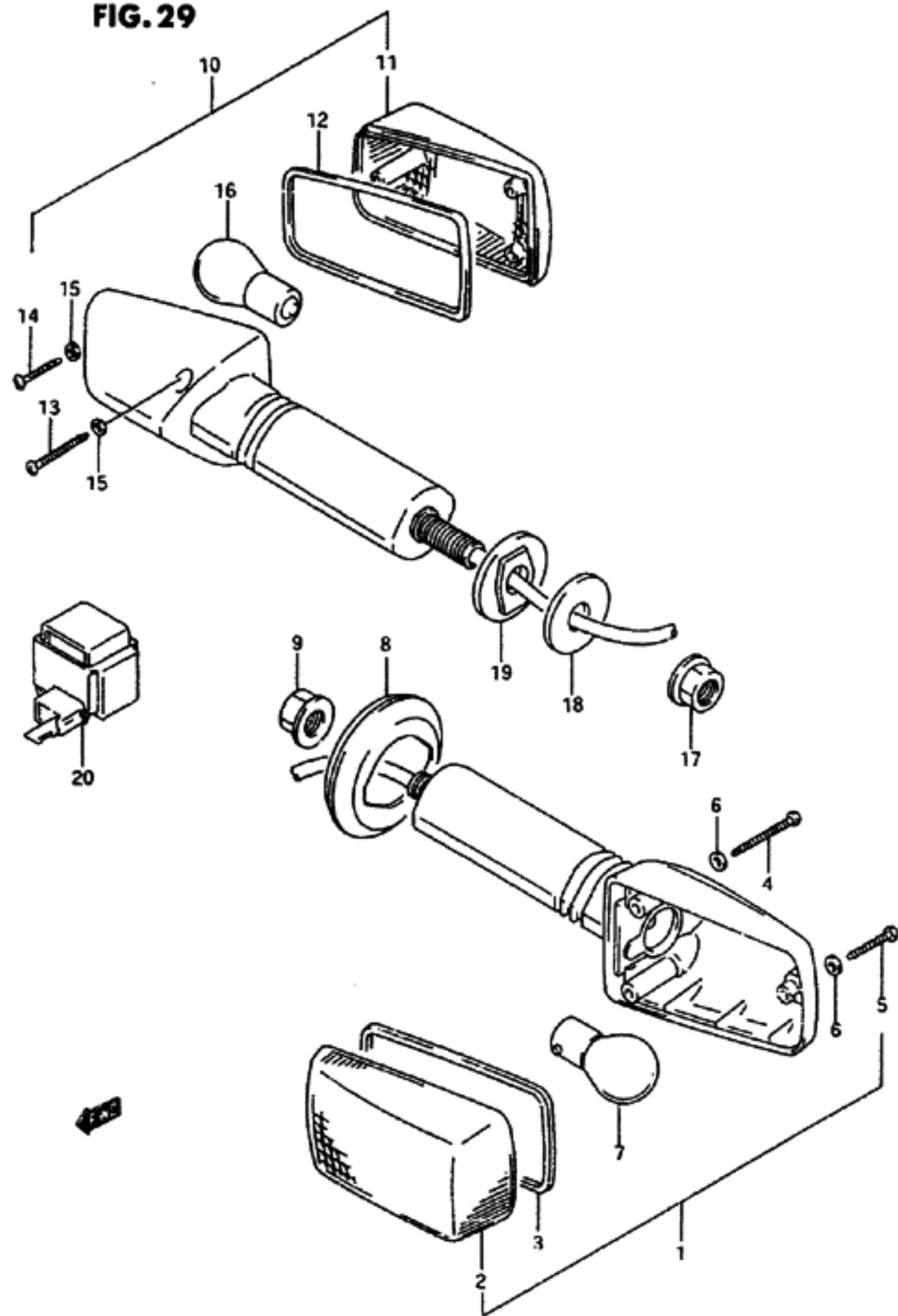


FIG. 29 (F- 9) TURNSIGNAL LAMP

REF. NO.	PART NO.	DESCRIPTION	Q'TY	REMARKS
1-1	35601-01D10	LAMP ASSY, FRONT TURNSIGNAL	2	MODEL P/R
1-2	35601-29E10	LAMP ASSY, FRONT TURNSIGNAL	2	MODEL S
1-3	35601-29E30	LAMP ASSY, FRONT TURNSIGNAL	2	MODEL T/V/W
2	35612-17C20	. LENS	2	
3	35613-27A00	. GASKET	2	
4	35623-27A00	. TAPPING SCREW	4	
5	35725-40511	. TAPPING SCREW	2	
6	35627-27A02	. GASKET	6	
7	09471-12045	. BULB (12V, 21W)	2	
8	35674-27A01	GROMMET	2	
9-1	08316-20103	NUT	2	MODEL P/R
9-2	08310-00103	NUT	2	MODEL S/T/V/W
10-1	35601-17C41	LAMP ASSY, REAR TURNSIGNAL	2	MODEL P/R
10-2	35603-21E00	LAMP ASSY, REAR TURNSIGNAL	2	MODEL S/T/V/W
11-1	35612-17C20	. LENS	2	MODEL P/R
11-2	35652-17C20	. LENS	2	MODEL S/T/V/W
12	35613-27A00	. GASKET	2	
13	35623-27A00	. TAPPING SCREW	4	
14	35725-40511	. TAPPING SCREW	2	
15	35627-27A02	. GASKET	6	
16	09471-12045	. BULB (12V, 21W)	2	
17-1	08316-20103	NUT	2	MODEL P/R
17-2	08310-00103	NUT	2	MODEL S/T/V/W
18-1	09160-10094	WASHER	2	MODEL P/R
18-2	09160-10501	WASHER	2	MODEL S/T/V/W
19	35695-17C00	SPACER	2	
20-1	38610-45D01	RELAY ASSY, TURNSIGNAL	1	MODEL P/R/S/T/V
20-2	38610-26E00	RELAY ASSY, TURNSIGNAL	1	MODEL W

GSA-R1100W E28

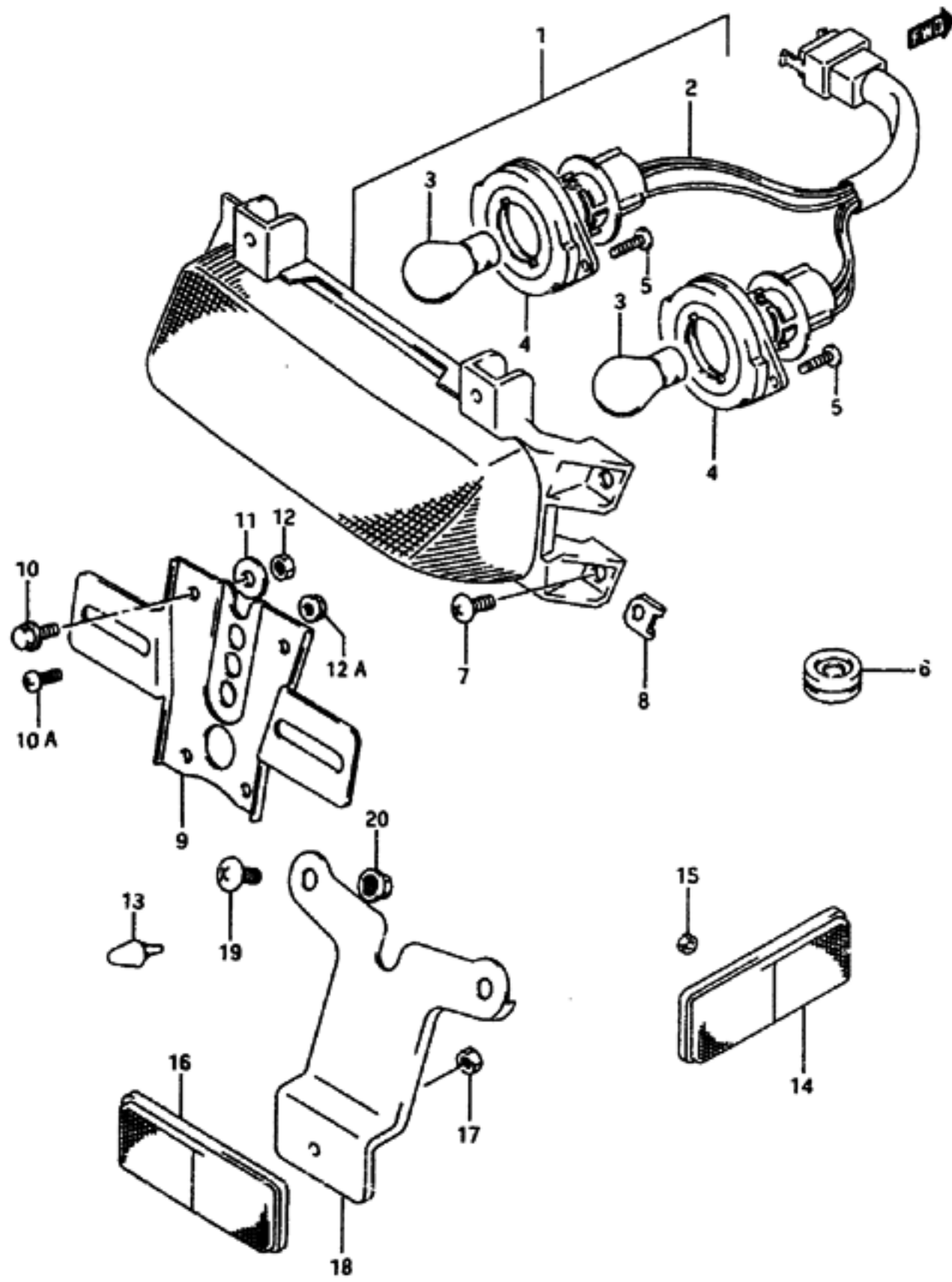
55

AIR CLEANER.....	C-11	COMING BODY.....	I-04	FRAME COVER.....	H-02	FUEL TANK.....	G-09	MUFFLER.....	D-02	REAR MASTER CYLINDER	L-11	STEERING DAMPER.....	K-05
ALTERNATOR.....	E-11	CRANKCASE COVER.....	B-09	FRAME.....	G-02	GEAR SHIFTING.....	E-08	OIL COOLER.....	D-04	REAR SWINGING ARM..	L-02	STEERING STEM.....	K-04
BATTERY.....	F-02	CRANKCASE.....	B-04	FRONT BRAKE HOSE...	K-10	HANDLE LEVER.....	H-16	CYL PAN - OIL PUMP..	B-10	REAR WHEEL.....	L-06	TAIL LAMP.....	F-10
CAM CHAIN.....	C-04	CRANKSHAFT.....	B-12	FRONT CALIPERS.....	K-08	HANDLE SWITCH.....	F-13	OPTIONAL.....	L-13	SEAT.....	J-05	TRANSMISSION.....	E-04
CAM SHAFT - VALVE..	C-02	CYLINDER HEAD COVER	B-02	FRONT DAMPER.....	K-02	HANDLEBAR.....	H-14	RADIATOR HOSE.....	D-07	SIGNAL GENERATOR...	E-15	TURNSIGNAL LAMP....	F-09
CARBURETOR FITTINGS	C-09	CYLINDER HEAD.....	B-03	FRONT FENDER.....	H-13	HEADLAMP.....	F-07	RADIATOR.....	D-06	SPEEDOMETER.....	F-04	WATER PUMP.....	D-05
CARBURETOR.....	C-05	CYLINDER.....	B-05	FRONT MASTER CYLIND	K-12	INSTALLATION PARTS..	I-08	REAR CALIPER.....	L-09	STAND.....	G-04	WIRING HARNESS.....	F-11
CLUTCH MASTER CYLIN	K-14	ELECTRICAL.....	F-03	FRONT WHEEL.....	K-06	INSTALLATION PARTS..	J-02	REAR CUSHION LEVER..	L-04	STARTER CLUTCH.....	B-14		
CLUTCH.....	E-02	FOOTREST.....	G-05	FUEL COCK.....	G-14	LABEL.....	J-04	REAR FENDER.....	I-02	STARTING MOTOR.....	E-10		

FIG. 30

F 10

FIG. 30 (F-10) TAIL LAMP



REF. NO.	PART NO.	DESCRIPTION	Q'TY	REMARKS
1	35710-17E30	LAMP ASSY, REAR COMBINATION	1	
2	35718-17E00	. SOCKET & CORD	1	
3	09471-12128	. BULB (12V, 21/5W)	2	
4	35765-48B21	. CUSHION	2	
5	03211-04123	. SCREW	4	
6	09308-C7013	GROMMET	2	
7	02142-05123	SCREW	4	
8	09148-05021	NUT	6	
9	35927-46E30	BRACKET, LICENSE PLATE	1	
10-1	01517-06164	BOLT	2	MODEL P
10-2	01500-06123	BOLT	2	MODEL R/S
10A	02142-06123	SCREW	4	MODEL T/V/W
11	09160-06059	WASHER	2	MODEL P/R
12-1	08310-12066	NUT	2	MODEL R/S
12-2	08310-00063	NUT	2	MODEL S
12A	08316-10063	NUT	2	MODEL T/V/W
13	09321-06026	CUSHION	1	
14-1	35970-00A21	REFLECTOR, REAR SIDE	2	MODEL P/R
14-2	35970-24D60	REFLECTOR, REAR SIDE	2	MODEL S/T/V/W
15	08310-00053	NUT	2	
16-1	35970-00A21	REFLECTOR, REAR	1	MODEL P/R
16-2	35970-24D60	REFLECTOR, REAR	1	MODEL S/T/V/W
17	08310-00053	NUT	1	
18	35974-18D10	BRACKET, REAR REFLECTOR	1	
19-1	02142-06125	SCREW	2	MODEL P
19-2	02142-06123	SCREW	2	MODEL R/S/T/V/W
20-1	08316-26065	NUT	2	MODEL P
20-2	08316-20063	NUT	2	MODEL R/S/T/V/W

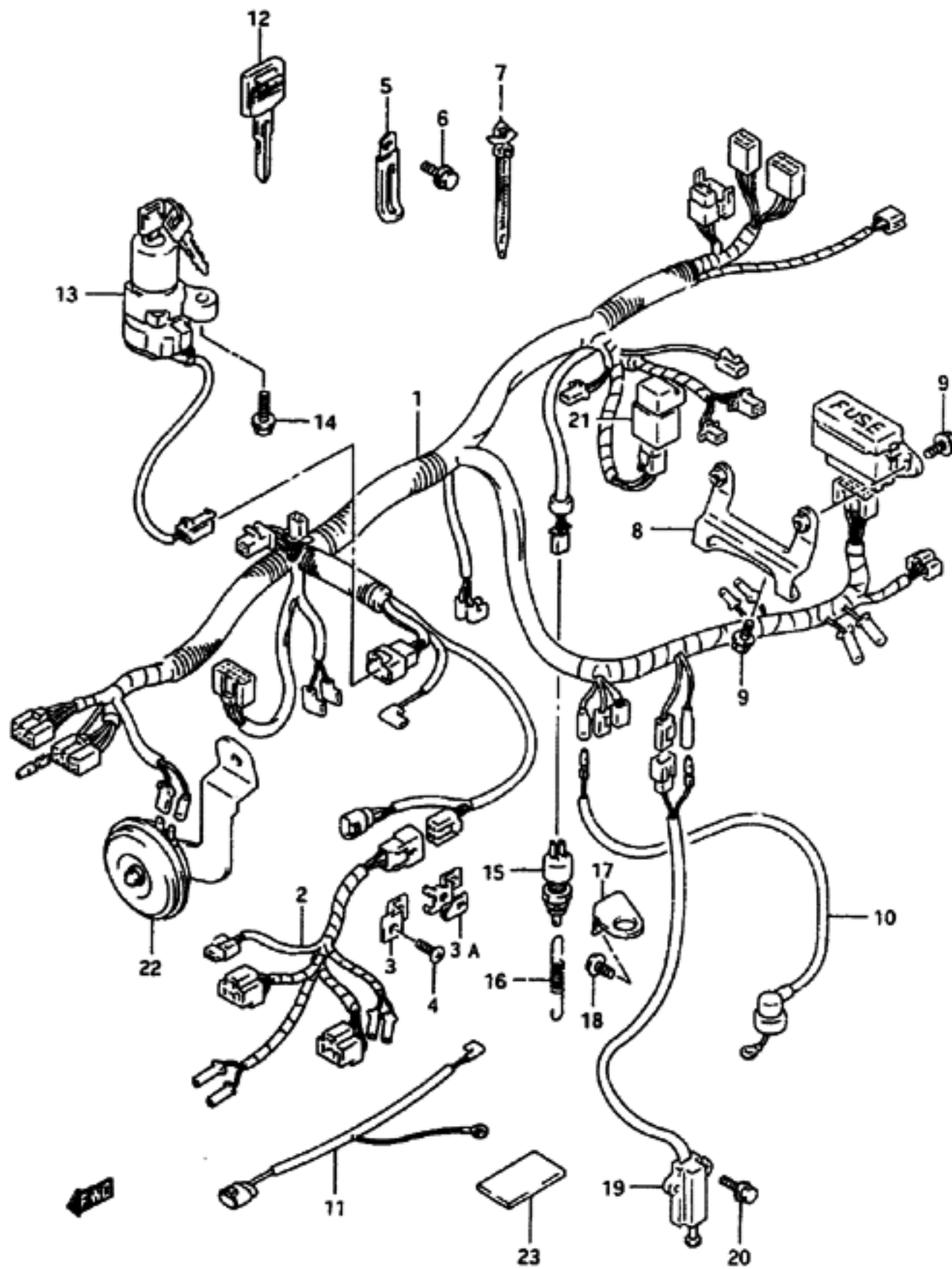
GSX-R1100NW E28

AIR CLEANER.....	C-11	COMLING BODY.....	I-04	FRAME COVER.....	H-02	FUEL TANK.....	G-09	MUFFLER.....	D-02	REAR MASTER CYLINDER	L-11	STEERING DAMPER.....	K-05
ALTERNATOR.....	E-11	CRANKCASE COVER.....	B-09	FRAME.....	G-02	GEAR SHIFTING.....	E-08	OIL COOLER.....	D-04	REAR SWINGING ARM..	L-02	STEERING STEM.....	K-04
BATTERY.....	F-02	CRANKCASE.....	B-06	FRONT BRAKE HOSE...	X-10	HANDLE LEVER.....	H-16	OIL PAN - OIL PUMP..	B-10	REAR WHEEL.....	L-06	TAIL LAMP.....	F-10
CAM CHAIN.....	C-04	CRANKSHAFT.....	B-12	FRONT CALIPERS.....	K-08	HANDLE SWITCH.....	F-13	OPTIONAL.....	L-13	SEAT.....	J-05	TRANSMISSION.....	E-06
CAM SHAFT - VALVE..	C-62	CYLINDER HEAD COVER	B-02	FRONT DAMPER.....	K-02	HANDLEBAR.....	H-14	RADIATOR HOSE.....	D-07	SIGNAL GENERATOR...	E-15	TURN SIGNAL LAMP....	F-09
CARBURETOR FITTINGS	C-09	CYLINDER HEAD.....	B-03	FRONT FENDER.....	H-13	HEADLAMP.....	F-07	RADIATOR.....	D-06	SPEEDOMETER.....	F-04	WATER PUMP.....	D-03
CARBURETOR.....	C-05	CYLINDER.....	B-05	FRONT MASTER CYLIND	K-12	INSTALLATION PARTS..	I-08	REAR CALIPER.....	L-09	STAND.....	G-04	WIRING HARNESS.....	F-11
CLUTCH MASTER CYLIN	K-14	ELECTRICAL.....	F-03	FRONT WHEEL.....	K-06	INSTALLATION PARTS..	J-02	REAR CUSHION LEVER..	L-04	STARTER CLUTCH.....	B-14		
CLUTCH.....	E-02	FOOTREST.....	G-05	FUEL COCK.....	G-14	LABEL.....	J-04	REAR FENDER.....	I-02	STARTING MOTOR.....	E-10		

FIG.31

F 11

FIG.31 (F-11) WIRING HARNESS (MODEL P/R)



REF. NO.	PART NO.	DESCRIPTION	Q'TY	REMARKS
1-1	36610-46E10	HARNESS, WIRING	1	MODEL P
1-2	36610-46E12	HARNESS, WIRING	1	MODEL R
2	36620-17E10	HARNESS, WIRING NO. 2	1	
3	36687-17E00	HOLDER, CUPLER NO. 1	1	
3A	36687-17E10	HOLDER, CUPLER NO. 1	1	
4	02142-05103	SCREW	2	
5-1	09404-06413	CLAMP (L:55)	1	
5-2	09404-06426	CLAMP	6	
5-3	09404-10205	CLAMP	1	
6	01550-06107	BOLT	1	
7-1	09407-11402	CLAMP	4	
7-2	09407-14403	CLAMP (L:125)	7	
7-3	09407-18403	CLAMP (L:185)	4	
7-4	09407-25401	CLAMP	2	
8	47410-17E00	BRACKET, FUSE BOX	1	
9	01550-06127	BOLT, BRACKET	2	
10	36851-46E00	WIRE, OIL PRESSURE	1	
11	36852-46E20	WIRE, WATER TEMP GAUGE	1	
12	37146-26D10	KEY, BLANK	2	OPT
13-1	37100-33D00	SWITCH ASSY, IGNITION	1	MODEL P
13-2	37100-26D02	SWITCH ASSY, IGNITION	1	MODEL R
14	09139-06026	BOLT	2	
15	37740-24A00	SWITCH ASSY, STOP LAMP	1	
16	09443-06012	SPRING	1	
17	43250-33C00	BRACKET, SWITCH	1	
18	09139-06027	BOLT	1	
19	37840-32C01	SWITCH ASSY, SIDE STAND	1	
20-1	01517-05164	BOLT	2	MODEL P
20-2	01550-06163	BOLT	2	MODEL R
21	38740-24B10	RELAY ASSY, SIDE STAND	1	
22	38502-17E00	HORN ASSY, LOW	1	
23	36920-10B00	PROTECTOR	1	

REFER TO FIG.31A(F-12) FOR MODEL S/T/V/W

GSX-R1100WW E28

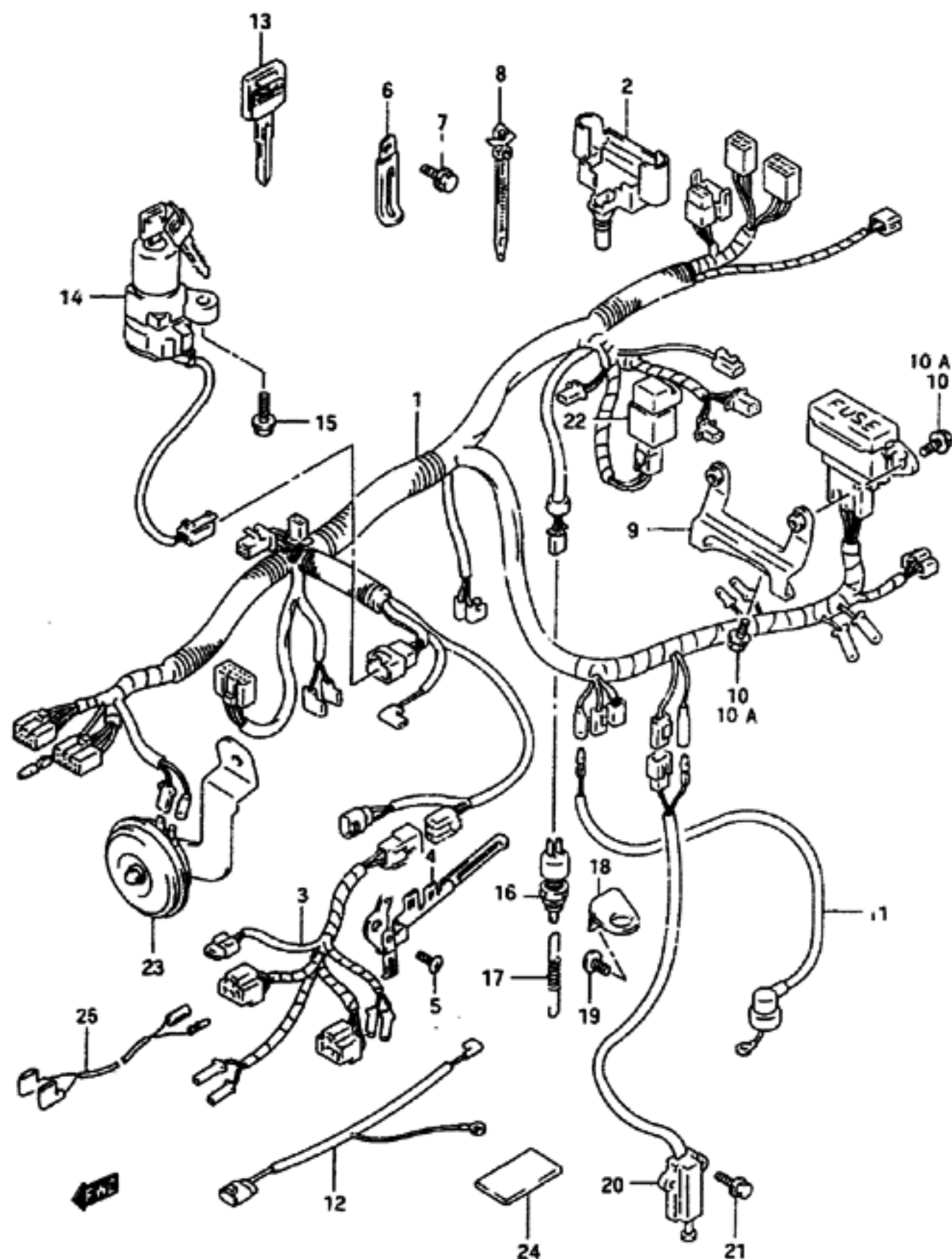
57

AIR CLEANER..... C-11	COWLING BODY..... I-04	FRAME COVER..... H-02	FUEL TANK..... G-09	MUFFLER..... D-02	REAR MASTER CYLINDER..... L-11	STEERING DAMPER..... K-05
ALTERNATOR..... E-11	CRANKCASE COVER..... B-09	FRAME..... G-02	GEAR SHIFTING..... E-08	OIL COOLER..... D-04	REAR SWINGING ARM..... L-02	STEERING STEM..... K-04
BATTERY..... F-02	CRANKCASE..... B-04	FRONT BRAKE HOSE..... K-10	HANDLE LEVER..... H-16	OIL PAN - OIL PUMP..... B-10	REAR WHEEL..... L-06	TAIL LAMP..... F-10
CAN CHAIN..... C-04	CRANKSHAFT..... B-12	FRONT CALIPERS..... K-08	HANDLE SWITCH..... F-13	OPTIONAL..... L-13	SEAT..... J-05	TRANSMISSION..... E-06
CAN SHAFT - VALVE... C-02	CYLINDER HEAD COVER B-02	FRONT DAMPER..... K-02	HANDLEBAR..... H-14	RADIATOR HOSE..... D-07	SIGNAL GENERATOR... E-15	TURN SIGNAL LAMP..... F-09
CARBURETOR FITTINGS C-09	CYLINDER HEAD..... B-03	FRONT FENDER..... H-13	HEADLAMP..... F-07	RADIATOR..... D-04	SPEEDOMETER..... F-04	WATER PUMP..... D-05
CARBURETOR..... C-05	CYLINDER..... B-05	FRONT MASTER CYLINDER K-12	INSTALLATION PARTS, I-08	REAR CALIPER..... L-09	STAND..... G-04	WIRING HARNESS..... F-11
CLUTCH MASTER CYLINDER K-14	ELECTRICAL..... F-03	FRONT WHEEL..... K-04	INSTALLATION PARTS, J-02	REAR CUSHION LEVER, L-04	STARTER CLUTCH..... B-14	
CLUTCH..... E-02	FOOTREST..... G-05	FUEL COCK..... G-14	LABEL..... J-04	REAR FENDER..... I-02	STARTING MOTOR..... E-10	

FIG.31A

F 12

FIG. 31A(F-12) WIRING HARNESS (MODEL S/T/V/W)



REF. NO.	PART NO.	DESCRIPTION	QTY	REMARKS
1	36610-46E20	HARNESS, WIRING	1	
2	3186i-17E20	.CAP. STARTER RELAY	1	
3	36620-17E00	HARNESS, WIRING NO. 2	1	
4-1	36680-46E10	HOLDER, CUPLER RH	1	
4-2	36680-46E00	HOLDER, CUPLER LH	1	
5	03541-05083	SCREW	3	
6-1	09404-06431	CLAMP	2	
6-2	09404-06433	CLAMP	3	
6-3	09404-06435	CLAMP	2	
7	01550-06103	BOLT	3	
8-1	09407-11401	CLAMP (L:95)	1	
8-2	09407-11402	CLAMP (L:105)	2	
8-3	09407-14403	CLAMP (L:125)	5	
8-4	09407-18403	CLAMP (L:185)	5	
8-5	09407-25401	CLAMP (L:245)	1	
9	47410-17E00	BRACKET, FUSE BOX	1	
10	02142-06123	SCREW, FUSE BOX	2	
10A	01550-06123	BOLT, FUSE BOX BRACKET	1	
11	36851-17E10	WIRE, OIL PRESSURE	1	
12	36852-46E10	WIRE, WATER TEMP GAUGE	1	
13	37146-46E00	KEY, BLANK	1	OPT
14-1	37100-46E20	SWITCH ASSY, IGNITION	1	MODEL S/T
14-2	37100-46E21	SWITCH ASSY, IGNITION	1	MODEL V/W
15	09119-08082	BOLT	2	
16	37740-24A00	SWITCH ASSY, STOP LAMP	1	
17	09443-06012	SPRING	1	
18	43250-33C70	BRACKET, SWITCH	1	
19	09139-06027	BOLT	1	
20	37840-26X50	SWITCH ASSY, SIDE STAND	1	
21	01550-06163	BOLT	2	
22	38740-24X50	RELAY ASSY, SIDE STAND	1	
23	38502-17E12	HORN ASSY, LOW	1	-38502-17E11
24-1	36920-02200	PROTECTOR	1	MODEL S/T
24-2	36920-10800	PROTECTOR	1	MODEL V/W
25	36852-19D00	WIRE, CLUTCH SWITCH LEAD	1	

GSX-R1100WV E28

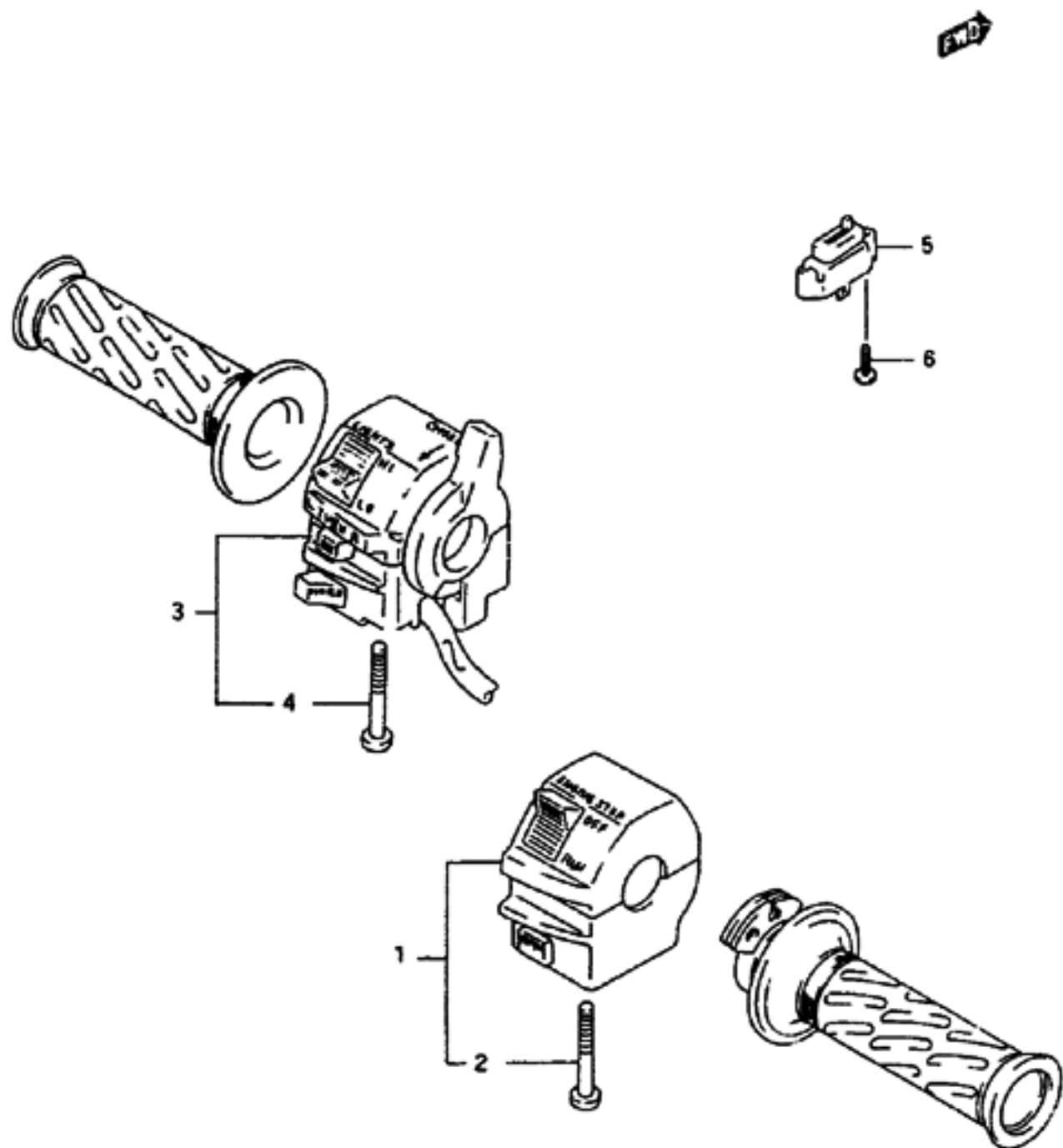
58

AIR CLEANER.....	C-11	CONVING BODY.....	I-04	FRAME COVER.....	H-02	FUEL TANK.....	G-09	MUFFLER.....	D-02	REAR MASTER CYLIND	L-11	STEERING DAMPER....	K-05
ALTERNATOR.....	E-11	CRANKCASE COVER...	B-09	FRAME.....	G-02	GEAR SHIFTING.....	E-08	OIL COOLER.....	D-04	REAR SWINGING ARM..	L-02	STEERING STEM.....	K-04
BATTERY.....	F-02	CRANKCASE.....	B-06	FRONT BRAKE HOSE...	K-18	HANDLE LEVER.....	H-16	OIL PAN - OIL PUMP..	B-10	REAR WHEEL.....	L-06	TAIL LAMP.....	F-10
CAM CHAIN.....	C-04	CRANKSHAFT.....	B-12	FRONT CALIPERS.....	K-08	HANDLE SWITCH.....	F-13	OPTIONAL.....	L-13	SEAT.....	J-05	TRANSMISSION.....	E-06
CAM SHAFT - VALVE..	C-02	CYLINDER HEAD COVER	B-02	FRONT DAMPER.....	K-02	HANDLEBAR.....	H-14	RADIATOR HOSE.....	D-07	SIGNAL GENERATOR...	E-15	TURN SIGNAL LAMP...	F-09
CARBURETOR FITTINGS	C-09	CYLINDER HEAD.....	B-03	FRONT FENDER.....	H-13	HEADLAMP.....	F-07	RADIATOR.....	D-06	SPEEDOMETER.....	F-04	WATER PUMP.....	D-05
CARBURETOR.....	C-05	CYLINDER.....	B-05	FRONT MASTER CYLIND	K-12	INSTALLATION PARTS..	I-08	REAR CALIPER.....	L-09	STAND.....	S-04	WIRING HARNESS.....	F-11
CLUTCH MASTER CYLIN	K-14	ELECTRICAL.....	F-03	FRONT WHEEL.....	K-06	INSTALLATION PARTS..	J-02	REAR CUSHION LEVER..	L-04	STARTER CLUTCH.....	B-14		
CLUTCH.....	E-02	FOOTREST.....	G-05	FUEL COCK.....	G-14	LABEL.....	J-04	REAR FENDER.....	I-02	STARTING ROTOR.....	E-10		

FIG. 32

F 13

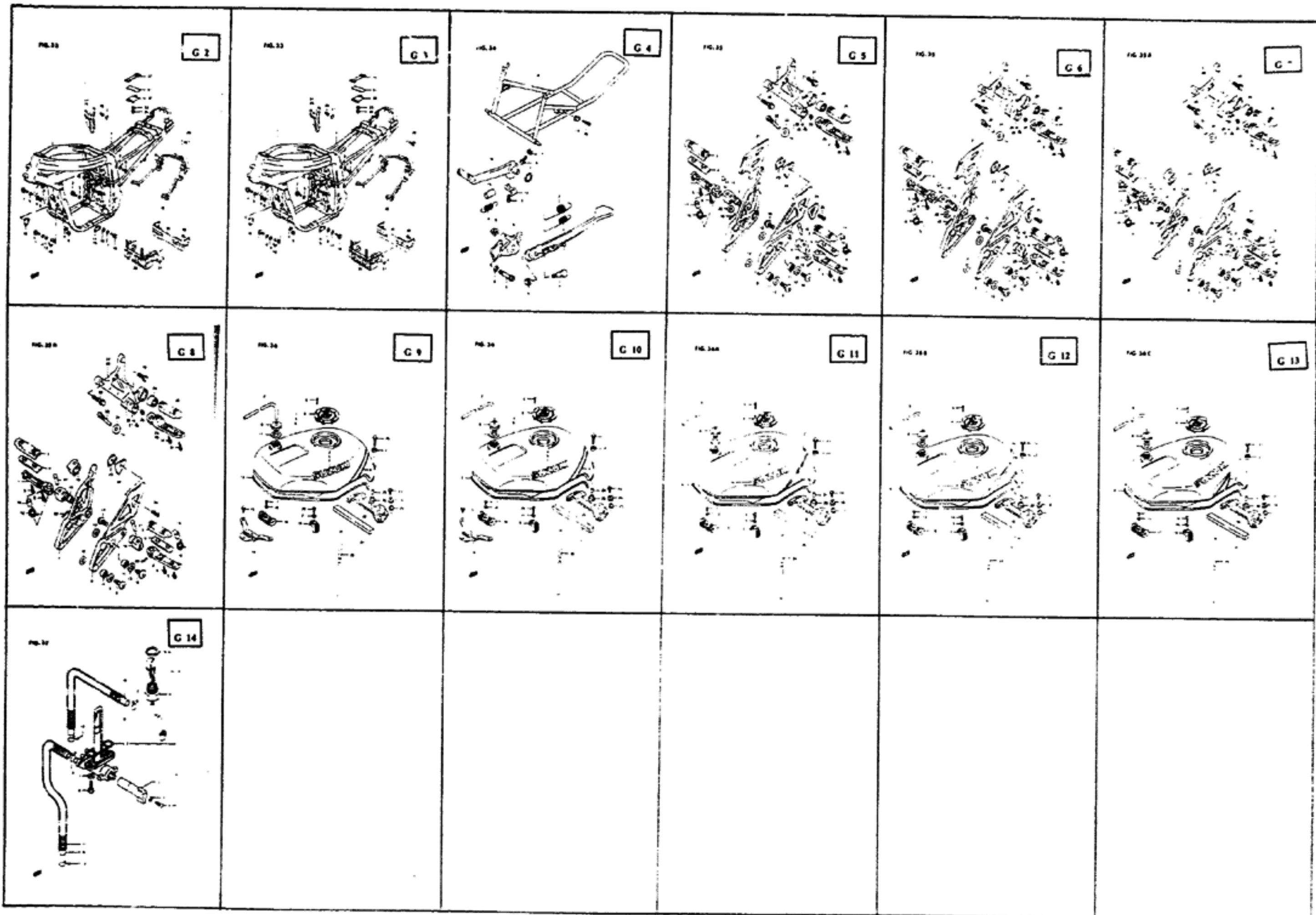
FIG. 32 (F-13) HANDLE SWITCH



REF. NO.	PART NO.	DESCRIPTION	Q'TY	REMARKS
1-1	37200-17E31	SWITCH ASSY, HANDLE RH	1	MODEL P/R/S
1-2	37200-17E40	SWITCH ASSY, HANDLE RH	1	MODEL T
1-3	37200-17E41	SWITCH ASSY, HANDLE RH	1	MODEL V/W
2	02112-05455	. SCREW	2	
3	37400-17E31	SWITCH ASSY, HANDLE LH	1	
4	02112-05455	. SCREW	2	
5	37560-38A00	SWITCH ASSY, CLUTCH	1	MODEL V
6	37564-26E00	SCREW	2	MODEL V

GSX-R1100WW E28

AIR CLEANER.....	C-11	COILING BODY.....	I-04	FRAME COVER.....	H-02	FUEL TANK.....	G-09	MUFFLER.....	D-02	REAR MASTER CYLINDE	L-11	STEERING DAMPER.....	K-05
ALTERNATOR.....	E-11	CRANKCASE COVER....	B-09	FRAME.....	G-02	GEAR SHIFTING.....	E-08	OIL COOLER.....	D-04	REAR SWINGING ARM..	L-02	STEERING STEN.....	K-04
BATTERY.....	F-02	CRANKCASE.....	B-06	FRONT BRAKE HOSE...	K-10	HANDLE LEVER.....	H-16	OIL PAN - OIL PUMP..	B-10	REAR WHEEL.....	L-06	TAIL LAMP.....	F-10
CAM CHAIN.....	C-04	CRANKSHAFT.....	B-12	FRONT CALIPERS.....	K-08	HANDLE SWITCH.....	F-13	OPTIONAL.....	L-13	SEAT.....	J-05	TRANSMISSION.....	E-04
CAM SHAFT - VALVE..	C-02	CYLINDER HEAD COVER	B-02	FRONT DAMPER.....	K-02	HANDLEBAR.....	H-14	RADIATOR HOSE.....	D-07	SIGNAL GENERATOR...	E-15	URNSIGNAL LAMP....	F-09
CARBURETOR FITTINGS	C-09	CYLINDER HEAD.....	B-05	FRONT FENDER.....	H-13	HEADLAMP.....	F-07	RADIATOR.....	D-06	SPEEDOMETER.....	F-04	WATER PUMP.....	D-05
CARBURETOR.....	C-05	CYLINDER.....	B-05	FRONT MASTER CYLIND	K-12	INSTALLATION PARTS..	I-08	REAR CALIPER.....	L-09	STAND.....	G-04	WIRING HARNESS....	F-11
CLUTCH MASTER CYLIN	K-14	ELECTRICAL.....	F-03	FRONT WHEEL.....	K-06	INSTALLATION PARTS..	J-02	REAR CUSHION LEVER..	L-04	STARTER CLUTCH.....	B-14		
CLUTCH.....	E-02	FOOTREST.....	G-05	FUEL COCK.....	G-14	LABEL.....	J-04	REAR FENDER.....	I-02	STARTING MOTOR.....	E-10		

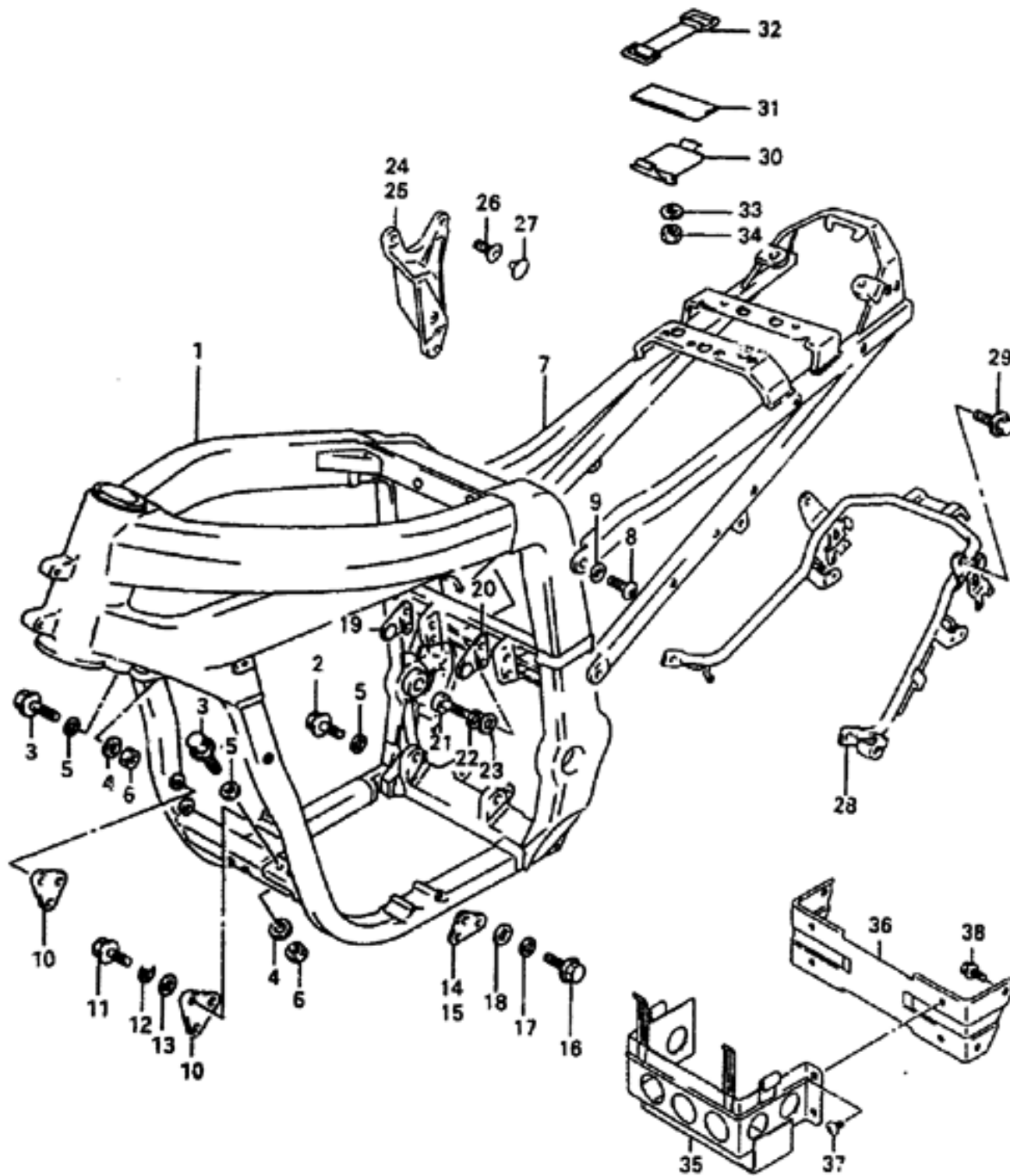


AIR CLEANER..... C-11	COUPLING BODY..... I-04	FRAME COVER..... H-02	FUEL TANK..... G-09	MUFFLER..... D-02	REAR MASTER CYLINDE L-11	STEERING DAMPER..... K-05
ALTERNATOR..... E-11	CRANKCASE COVER..... B-09	FRAME..... G-02	GEAR SHIFTING..... E-08	OIL COOLER..... D-04	REAR SWINGING ARM.. L-02	STEERING STEM..... K-04
BATTERY..... F-02	CRANKSHAFT..... B-06	FRONT BRAKE HOSE... K-10	HANDLE LEVER..... H-16	OIL PAN - OIL PUMP. B-10	REAR WHEEL..... L-06	TAIL LAMP..... F-10
CAN CHAIN..... C-04	CRANKSHAFT..... B-12	FRONT CALIPERS..... K-08	HANDLE SWITCH..... F-13	OPTIONAL..... L-13	SEAT..... J-05	TRANSMISSION..... E-06
CAN SHAFT - VALVE.. C-02	CYLINDER HEAD COVER B-02	FRONT DAMPER..... K-02	HANDLEBAR..... H-14	RADIATOR HOSE..... D-07	SIGNAL GENERATOR... E-15	TURN SIGNAL LAMP... F-09
CARBURETOR FITTINGS C-09	CYLINDER HEAD..... B-03	FRONT FENDER..... H-13	HEADLAMP..... F-07	RADIATOR..... D-06	SPEEDOMETER..... F-04	WATER PUMP..... D-05
CARBURETOR..... C-05	CYLINDER..... B-05	FRONT MASTER CYLIND K-12	INSTALLATION PARTS. I-08	REAR CALIPER..... L-09	STAND..... G-04	WIRING HARNESS..... F-11
CLUTCH MASTER CYLIN K-14	ELECTRICAL..... F-03	FRONT WHEEL..... K-06	INSTALLATION PARTS. J-02	REAR CUSHION LEVER. L-04	STARTER CLUTCH..... B-14	
CLUTCH..... F-02	FOOTREST..... G-05	FUEL COCK..... G-14	LABEL..... J-04	REA ⁿ FENDER..... I-02	STARTING ROTOR..... E-10	

FIG. 33

G 2

FIG. 33 (G- 2) FRAME



REF. NO.	PART NO.	DESCRIPTION	Q'TY	REMARKS
1-1	41100-46820	FRAME SET	1	MODEL P
1-2	41100-46830	FRAME SET	1	MODEL R
1-3	41100-46840	FRAME SET	1	MODEL S/T/V/W
2-1	01517-10308	. BOLT, RH	2	MODEL P/R
2-2	01550-10307	. BOLT, RH	2	MODEL S/T/V/W
3-1	09103-10284	. BOLT	4	MODEL P/R
3-2	01550-10453	. BOLT	4	MODEL S/T/V/W
4-1	09160-10013	. WASHER	4	MODEL P/R/S/T/V
4-2	09160-10123	. WASHER	4	MODEL W
5	09164-10005	. WASHER	6	MODEL P/R
6	09159-10027	. NUT	4	
7-1	41200-46E00	RAIL, SEAT	1	MODEL P/R
7-2	41200-46E20	RAIL, SEAT	1	MODEL S/T/V/W
8	43529-17000	BOLT	4	
9-1	09164-10010	WASHER	4	MODEL P/R/S
9-2	09164-10005	WASHER	4	MODEL T
9-3	09164-10010	WASHER	4	MODEL V/W
10	41911-17E00	PLATE, ENGINE MOUNT NO. 1	2	
11	09103-08255	BOLT	4	
12-1	08321-01087	LOCK WASHER	4	MODEL P/R
12-2	08321-01083	LOCK WASHER	4	MODEL S/T/V/W
13-1	09160-08010	WASHER (8. 2X20X1. 6)	4	MODEL P/R/S/T/V
13-2	09160-08125	WASHER (8. 5X20X1. 6)	4	MODEL W
14	41921-17E00	PLATE, MOUNT NO. 2 LH	1	
15	41931-17E00	PLATE, MOUNT NO. 2 RH	1	
16	09103-08255	BOLT	4	
17-1	08321-01087	LOCK WASHER	4	MODEL P/R
17-2	08321-01083	LOCK WASHER	4	MODEL S/T/V/W
18-1	09160-08010	WASHER (8. 2X20X1. 6)	4	MODEL P/R/S/T/V
18-2	09160-08125	WASHER (8. 5X20X1. 6)	4	MODEL W

GSX-R1100WW E28

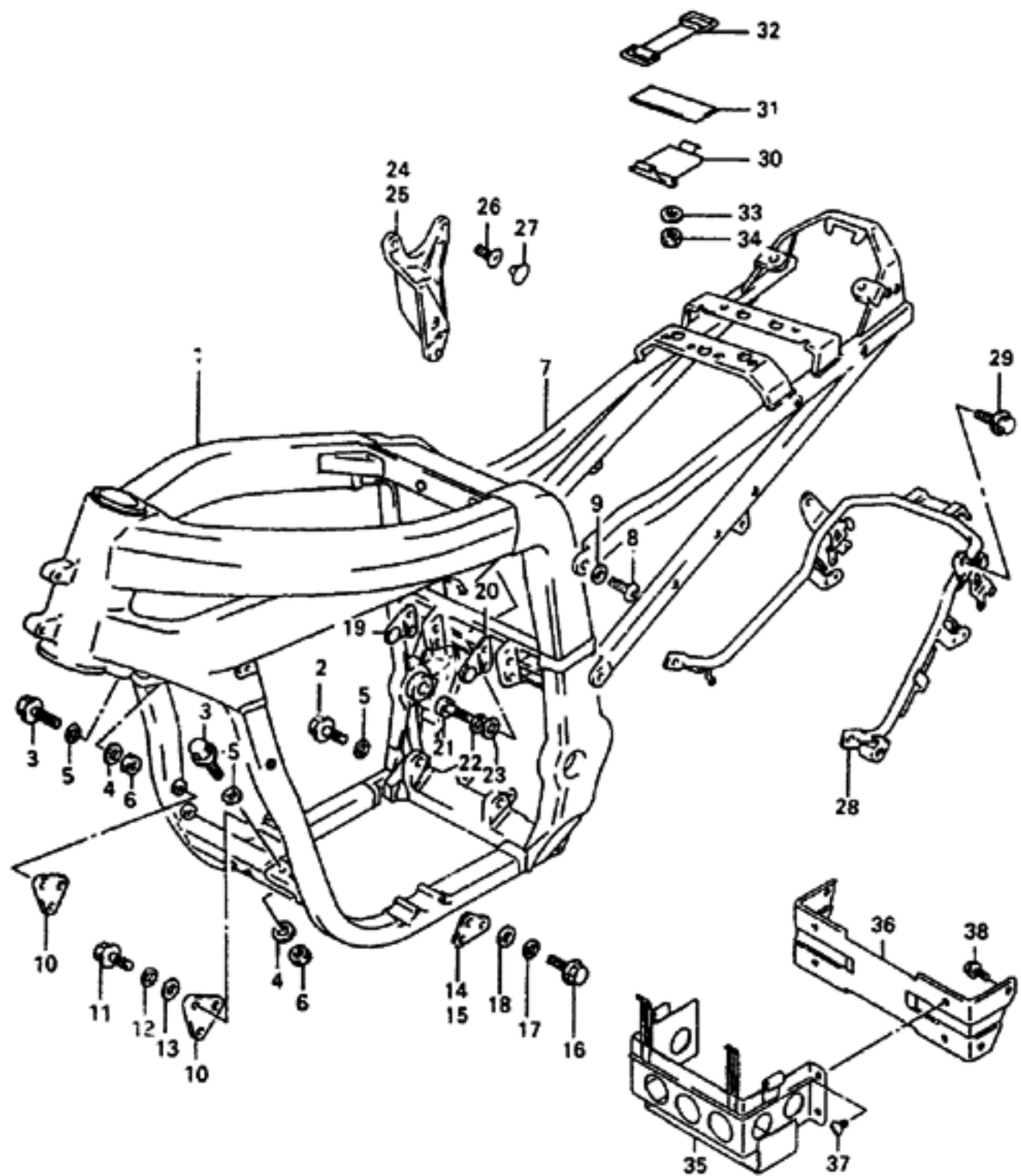
60

AIR CLEANER.....	C-11	COWLING BODY.....	I-04	FRAME COVER.....	H-02	FUEL TANK.....	G-09	MUFFLER.....	D-02	REAR MASTER CYLINDER	L-11	STEERING DAMPER.....	K-05
ALTERNATOR.....	E-11	CRANKCASE COVER.....	B-09	FRAME.....	G-02	GEAR SHIFTING.....	E-08	OIL COOLER.....	D-04	REAR SWINGING ARM..	L-02	STEERING STEM.....	K-04
BATTERY.....	F-02	CRANKCASE.....	B-06	FRONT BRAKE HOSE...	K-10	HANDLE LEVER.....	H-16	OIL PAN - OIL PUMP..	B-10	REAR WHEEL.....	L-06	TAIL LAMP.....	F-10
CAM CHAIN.....	C-04	CRANKSHAFT.....	B-12	FRONT CALIPERS.....	K-08	HANDLE SWITCH.....	F-13	OPTIONAL.....	L-13	SEAT.....	J-05	TRANSMISSION.....	E-06
CAM SHAFT - VALVE..	C-32	CYLINDER HEAD COVER	B-02	FRONT DAMPER.....	K-02	HANDLEBAR.....	H-14	RADIATOR HOSE.....	D-07	SIGNAL GENERATOR...	E-15	TURN SIGNAL LAMP...	F-09
CARBURETOR FITTINGS	C-09	CYLINDER HEAD.....	B-03	FRONT FENDER.....	H-13	HEADLAMP.....	F-07	RADIATOR.....	D-06	SPEEDOMETER.....	F-04	WATER PUMP.....	D-05
CARBURETOR.....	C-05	CYLINDER.....	B-05	FRONT MASTER CYLIND	K-12	INSTALLATION PARTS..	I-08	REAR CALIPER.....	L-09	STAND.....	G-04	WIRING HARNESS.....	F-11
CLUTCH MASTER CYLIND	K-14	ELECTRICAL.....	F-05	FRONT WHEEL.....	K-06	INSTALLATION PARTS..	J-02	REAR CUSHION LEVER..	L-04	STARTER CLUTCH.....	B-14		
CLUTCH.....	E-02	FOOTREST.....	G-05	FUEL COCK.....	G-14	LABEL.....	J-04	REAR FENDER.....	I-02	STARTING MOTOR.....	E-10		

FIG. 33

G 3

FIG. 33 (G-3) FRAME



REF. NO.	PART NO.	DESCRIPTION	Q'TY	REMARKS
19	41940-17E00	PLATE, ENGINE MOUNT NO. 3 RH	1	
20	41950-17E00	PLATE, ENGINE MOUNT NO. 3 LH	1	
21	09106-08005	BOLT	4	
22-1	08321-01087	LOCK WASHER	4	MODEL P/R
22-2	08321-01083	LOCK WASHER	4	MODEL S/T/V/W
23-1	09160-08010	WASHER	4	MODEL P/R/S/T/V
23-2	09160-08125	WASHER	4	MODEL W
24	41961-46E20	PLATE, MOUNT UPPER RH	1	MODEL S/T/V/W
25	41971-46E20	PLATE, MOUNT UPPER LH	1	MODEL S/T/V/W
26	09106-08129	BOLT	4	MODEL S/T/V/W
27	08250-05009	GAP	4	MODEL S/T
28-1	43980-46E10	GRIP, REAR	1	MODEL P/R
28-2	43980-46E11	GRIP, REAR	1	MODEL S/T/V/W
29-1	01550-08207	BOLT	2	MODEL P/R
29-2	01550-08203	BOLT	2	MODEL S/T/V/W
30-1	41550-49200	HOLDER, TOOL	1	MODEL P/R/S
30-2	41550-49201	HOLDER, TOOL	1	MODEL T/V/W
31	36920-02200	CUSHION	1	
32	09462-00034	BAND, TOOL	1	
33	09160-06006	WASHER	2	MODEL P/R
34-1	08319-31063	NUT	2	MODEL P/R
34-2	09159-06058	NUT	2	MODEL S
34-3	09159-06078	NUT	2	MODEL T/V/W
35-1	41540-17E00	HOLDER, BATTERY	1	MODEL P/R
35-2	41540-17E50	HOLDER, BATTERY	1	MODEL S
35-3	41540-17E61	HOLDER, BATTERY	1	MODEL T/V/W
36-1	41560-17E00	BRACKET	1	MODEL P/R
36-2	41560-17E50	BRACKET	1	MODEL S/T/V/W
37-1	02142-06127	SCREW, FRONT	4	MODEL P/R
37-2	02142-06123	SCREW, FRONT	4	MODEL S/T/V/W
38-1	01550-08167	BOLT, SIDE	4	MODEL P
38-2	01550-06163	BOLT, SIDE	4	MODEL R/S/T/V/W

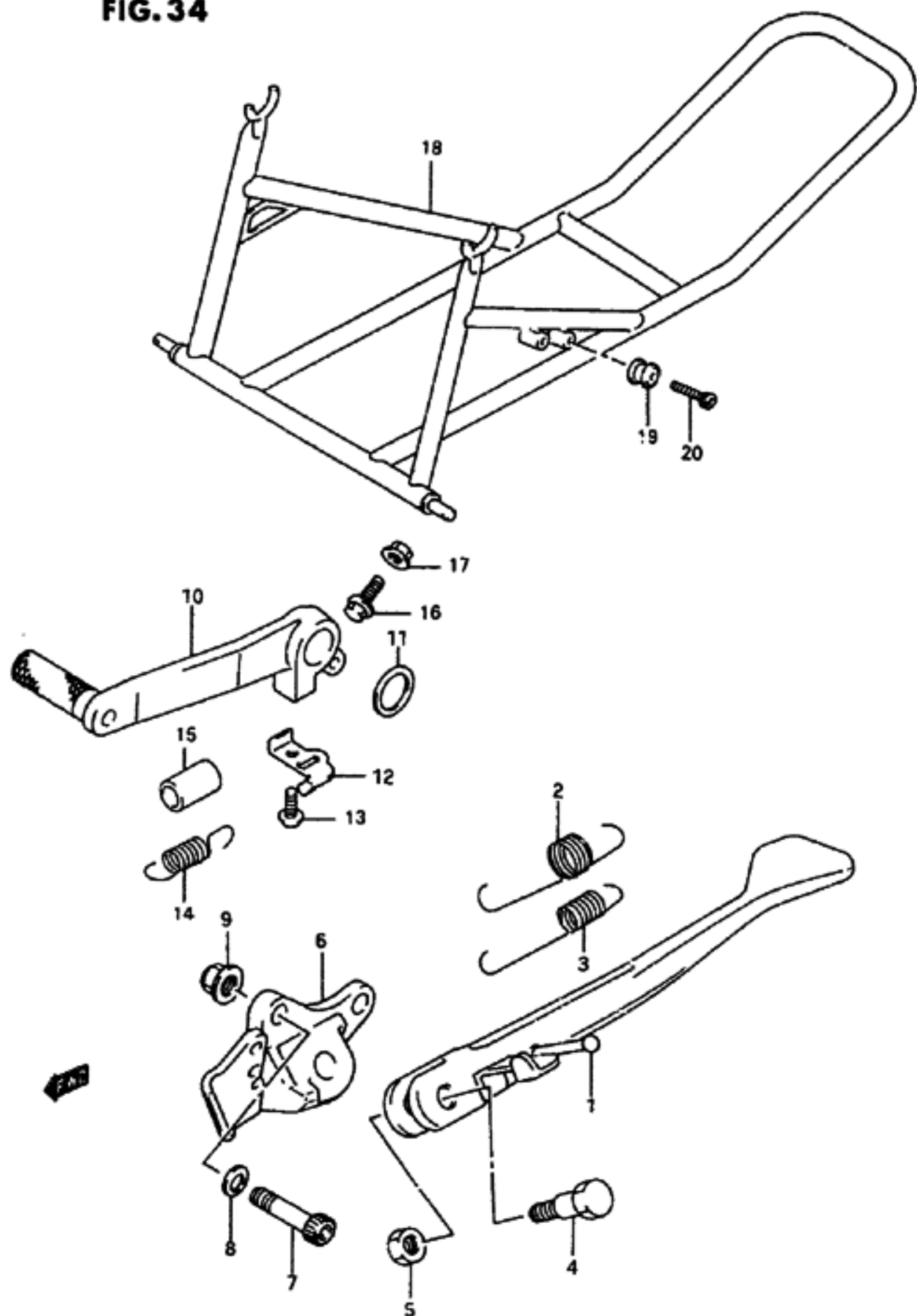
GSX-R1100WW E28

AIR CLEANER.....	C-11	COUPLING BODY.....	I-04	FRAME COVER.....	H-02	FUEL TANK.....	G-09	MUFFLER.....	D-02	REAR MASTER CYLINDER	L-11	STEERING DAMPER.....	K-05
ALTERNATOR.....	E-11	CRANKCASE COVER.....	B-09	FRAME.....	G-02	GEAR SHIFTING.....	E-08	OIL COOLER.....	D-04	REAR SWINGING ARM..	L-02	STEERING STEM.....	K-04
BATTERY.....	F-02	CRANKCASE.....	B-06	FRONT BRAKE HOSE...	K-10	HANDLE LEVER.....	H-16	OIL PAN - OIL PUMP..	B-10	REAR WHEEL.....	L-06	TAIL LAMP.....	F-10
CAM CHAIN.....	C-04	CRANKSHAFT.....	B-12	FRONT CALIPERS.....	K-08	HANDLE SWITCH.....	F-13	OPTIONAL.....	L-13	SEAT.....	J-05	TRANSMISSION.....	E-06
CAM SHAFT - VALVE..	C-02	CYLINDER HEAD COVER	B-02	FRONT DAMPER.....	K-07	HANDLEBAR.....	H-14	RADIATOR NOSE.....	D-07	SIGNAL GENERATOR...	E-15	TURN SIGNAL LAMP....	F-09
CARBURETOR FITTINGS	C-09	CYLINDER HEAD.....	B-03	FRONT FENDER.....	K-07	HEADLAMP.....	F-07	RADIATOR.....	D-04	SPEEDOMETER.....	F-04	WATER PUMP.....	D-05
CARBURETOR.....	C-05	CYLINDER.....	B-05	FRONT MASTER CYLIND	A-12	INSTALLATION PARTS..	I-08	REAR CALIPER.....	L-09	STAND.....	G-04	WIRING HARNESS.....	F-11
CLUTCH MASTER CYLIN	K-14	ELECTRICAL.....	F-03	FRONT WHEEL.....	K-06	INSTALLATION PARTS..	J-02	REAR CUSHION LEVER..	L-04	STARTER CLUTCH.....	B-14		
CLUTCH.....	E-02	FOOTREST.....	G-05	FUEL COCK.....	G-14	LABEL.....	J-04	REAR FENDER.....	I-02	STARTING MOTOR.....	E-10		

FIG. 34

G 4

FIG. 34 (G- 4) STAND



REF. NO.	PART NO.	DESCRIPTION	Q'TY	REMARKS
1-1	42310-46E00	STAND, PROP	1	MODEL P/R
1-2	42310-46E01	STAND, PROP	1	MODEL S/T
1-3	42310-46E10	STAND, PROP	1	MODEL V/W
2	09443-14058	SPRING, INNER	1	
3	09443-19011	SPRING, OUTER	1	
4	09111-10036	BOLT	1	
5-1	08310-00107	NUT	1	MODEL P
5-2	09140-10043	NUT	1	MODEL R
5-3	09159-10097	NUT	1	MODEL S/T/V/W
6	42330-46E00	BRACKET, PROP STAND	1	
7	09106-10033	BOLT	2	
8-1	09164-10010	WASHER	2	MODEL P/R/S
8-2	09164-10005	WASHER	2	MODEL T
8-3	09164-10010	WASHER	2	MODEL V/W
9	08319-31107	NUT	2	
10-1	43110-46E00	PEDAL, BRAKE	1	MODEL P
10-2	43110-46E01	PEDAL, BRAKE	1	MODEL R
10-3	43111-46E10	PEDAL, BRAKE	1	MODEL S/T/V/W
11	09160-18022	WASHER	1	
12	43563-46E10	HOOK, RETURN	1	
13	09139-06027	BOLT	1	
14	09443-13018	SPRING	1	
15	43261-17C00	TUBE, SPRING	1	
16	01500-05203	BOLT	1	
17	08310-00057	NUT	1	
18	42100-17C00	STAND ASSY, REAR	1	OPT
19	61165-27A30	HOLDER, STAND	2	OPT
20-1	07110-08305	BOLT	2	OPT, MODEL P
20-2	07130-08303	BOLT	2	OPT, MODEL R/S/T/V/W

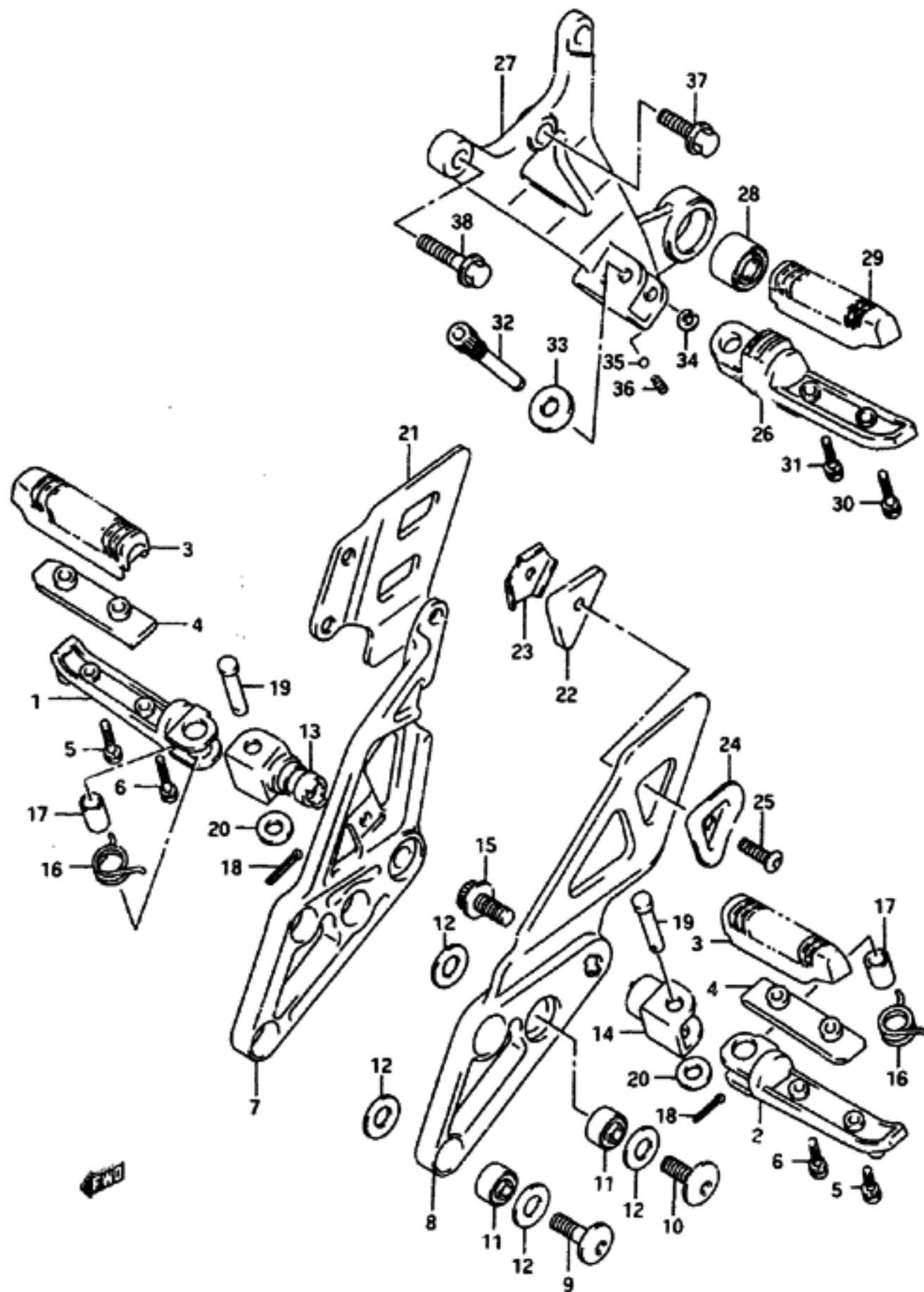
GSX-R1100WW E28

AIR CLEANER.....	C-11	COWLING BODY.....	I-04	FRAME COVER.....	H-02	FUEL TANK.....	G-09	MUFFLER.....	D-02	REAR MASTER CYLINDER	L-11	STEERING DAMPER.....	K-05
ALTERNATOR.....	E-11	CRANKCASE COVER.....	B-09	FRAME.....	G-02	GEAR SHIFTING.....	E-08	OIL COOLER.....	D-04	REAR SWINGING ARM..	L-02	STEERING STEM.....	K-04
BATTERY.....	F-02	CRANKCASE.....	B-06	FRONT BRAKE HOSE...	K-10	HANDLE LEVER.....	H-16	OIL PAN - OIL PUMP..	B-10	REAR WHEEL.....	L-06	TAIL LAMP.....	F-10
CAM CHAIN.....	C-04	CRANKSHAFT.....	B-12	FRONT CALIPERS.....	K-08	HANDLE SWITCH.....	F-13	OPTIONAL.....	L-13	SEAT.....	J-05	TRANSMISSION.....	E-06
CAM SHAFT - VALVE..	C-02	CYLINDER HEAD COVER	B-02	FRONT DAMPER.....	K-02	HANDLEBAR.....	H-14	RADIATOR HOSE.....	D-07	SIGNAL GENERATOR...	E-15	URNSIGNAL LAMP.....	F-09
CARBURETOR FITTINGS	C-09	CYLINDER HEAD.....	B-03	FRONT FENDER.....	H-13	HEADLAMP.....	F-07	RADIATOR.....	D-06	SPEEDOMETER.....	F-04	WATER PUMP.....	D-05
CARBURETOR.....	C-05	CYLINDER.....	B-05	FRONT MASTER CYLIND	K-12	INSTALLATION PARTS..	I-08	REAR CALIPER.....	L-09	STAND.....	G-04	WIRING HARNESS.....	F-11
CLUTCH MASTER CYLIN	K-14	ELECTRICAL.....	F-03	FRONT WHEEL.....	K-04	INSTALLATION PARTS..	J-02	REAR CUSHION LEVER..	L-04	STARTER CLUTCH.....	B-14		
CLUTCH.....	E-02	FOOTREST.....	G-05	FUEL COCK.....	G-14	LABEL.....	J-04	REAR FENDER.....	I-02	STARTING MOTOR.....	E-10		

FIG. 35

G 5

FIG. 35 (G-5) FOOTREST (MODEL P/R)



REF. NO.	PART NO.	DESCRIPTION	Q'TY	REMARKS
1	43511-40C00	BAR, FRONT FOOTREST R/R	1	
2	43521-40C00	BAR, FRONT FOOTREST LH	1	
3	43550-46E00	RUBBER, FOOTREST	2	
4	43534-46E00	BAR, FOOTREST INNER	2	
5	02112-35203	SCREW, OUTER RH	2	
6	02112-35253	SCREW, INNER RH	2	
7	43511-46E00	BRACKET, FOOTREST RH	1	
8	43522-46E00	BRACKET, FOOTREST LH	1	
9	09106-08080	BOLT, FRONT	4	
10	09106-08089	BOLT, REAR	2	
11	09319-08036	BUSH	8	
12	09161-12009	WASHER	12	
13	43530-46E01	HOLDER, FRONT FOOTREST, RH	1	
14	43540-46E01	HOLDER, FRONT FOOTREST, LH	1	
15	09106-10052	BOLT, FOOTREST HOLDER	2	
16	09448-19020	SPRING	2	
17	09180-08149	SPACER, FRONT FOOTREST	2	
18	04111-25158	COTTER PIN	2	
19	09200-08057	PIN	2	
20	09160-08043	WASHER	2	
21-1	43586-17E00	GUARD, FOOTREST RH	1	MODEL P
21-2	43586-17E01	GUARD, FOOTREST RH	1	MODEL R
22	43535-46E00	WEIGHT, BRACKET LH	1	
23	43560-46E00	COVER, WEIGHT	1	
24	43532-17E00	PLATE, WEIGHT	1	
25	09139-06028	SCREW, WEIGHT PLATE	1	
26-1	43610-46E00	FOOTREST, PILLION RH	1	
26-2	43620-46E00	FOOTREST, PILLION LH	1	
27-1	43810-46E00	BRACKET, PILLION FOOTREST RH	1	
27-2	43820-46E00	BRACKET, PILLION FOOTREST LH	1	
28	09319-10057	BUSH	2	

REFER TO FIG. 35A(G-7) FOR MODEL S/T/V/W

GSX-R1100NW E28

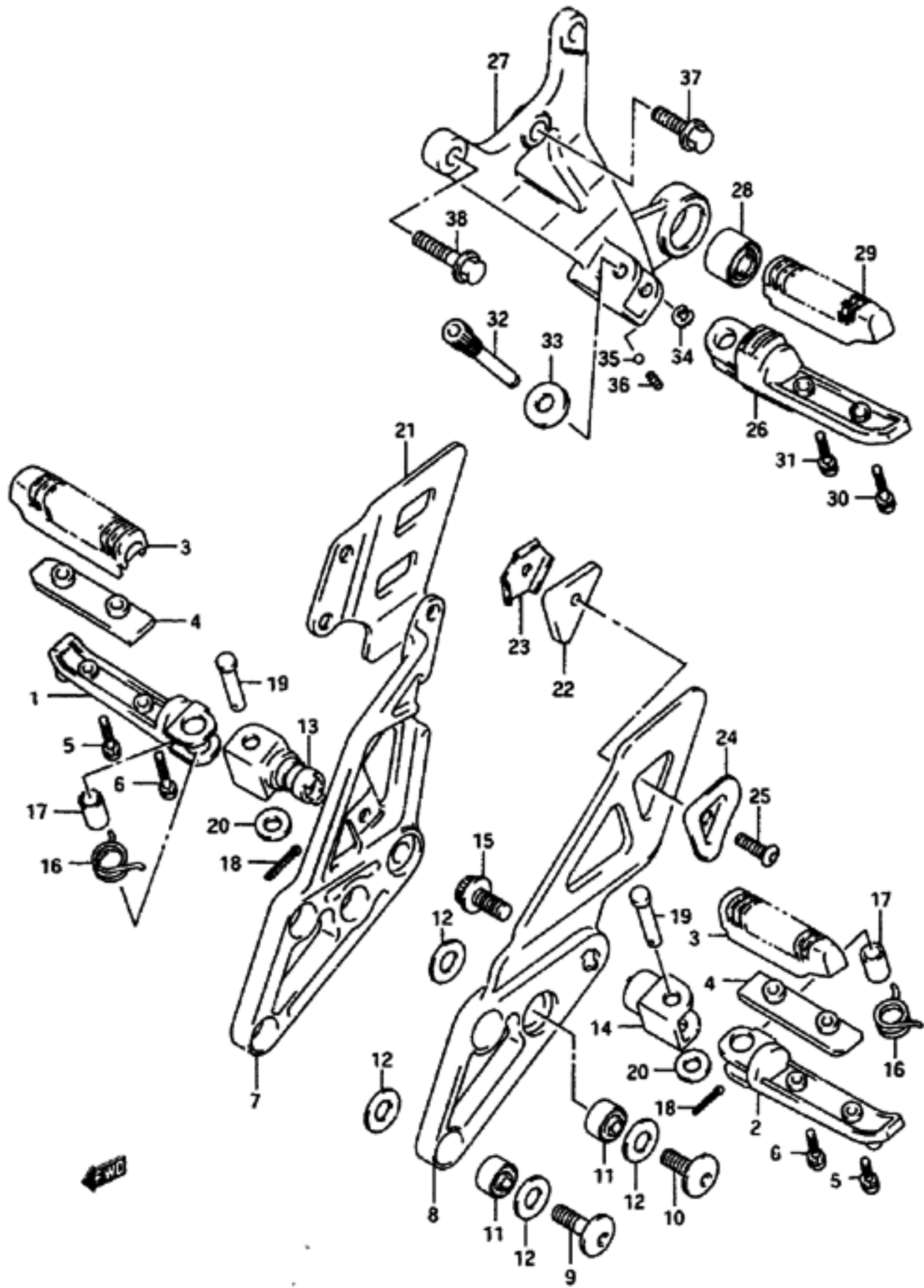
63

AIR CLEANER.....	C-11	CONVING BODY.....	I-04	FRAME COVER.....	H-02	FUEL TANK.....	G-09	MUFFLER.....	D-02	REAR MASTER CYLINDER	L-11	STEERING DAMPER.....	K-05
ALTERNATOR.....	E-11	CRANKCASE COVER.....	B-09	FRAME.....	G-02	GEAR SHIFTING.....	E-08	OIL COOLER.....	D-04	REAR SWINGING ARM..	L-02	STEERING STEM.....	K-04
BATTERY.....	F-02	CRANKCASE.....	B-06	FRONT BRAKE HOSE...	K-10	HANDLE LEVER.....	H-16	OIL PAN - OIL PUMP..	B-10	REAR WHEEL.....	L-06	TAIL LAMP.....	F-10
CAN CHAIN.....	C-04	CRANKSHAFT.....	B-12	FRONT CALIPERS.....	K-08	HANDLE SWITCH.....	F-13	OPTIONAL.....	L-13	SEAT.....	J-05	TRANSMISSION.....	E-06
CAN SHAFT - VALVE..	C-02	CYLINDER HEAD COVER	B-02	FRONT DAMPER.....	K-02	HANDLEBAR.....	H-14	RADIATOR HOSE.....	D-07	SIGNAL GENERATOR...	E-15	URNSIGNAL LAMP.....	F-09
CARBURETOR FITTINGS	C-09	CYLINDER HEAD.....	B-03	FRONT FENDER.....	H-13	HEADLAMP.....	F-07	RADIATOR.....	D-04	SPEEDOMETER.....	F-04	WATER PUMP.....	D-05
CARBURETOR.....	C-05	CYLINDER.....	B-05	FRONT MASTER CYLIN..	I-12	INSTALLATION PARTS..	I-08	REAR CALIPER.....	L-09	STAND.....	G-04	WIRING HARNESS.....	F-11
CLUTCH MASTER CYLIN	K-14	ELECTRICAL.....	F-03	FRONT WHEEL.....	K-04	INSTALLATION PARTS..	J-02	REAR CUSHION LEVER..	L-04	STARTER CLUTCH.....	B-14		
CLUTCH.....	E-02	FOOTREST.....	G-05	FUEL COCK.....	G-14	LABEL.....	J-04	REAR FENDER.....	I-02	STARTING MOTOR.....	E-10		

FIG. 35

G 6

FIG. 35 (G- 6) FOOTREST (MODEL P/R)



REF. NO.	PART NO.	DESCRIPTION	Q'TY	REMARKS
29	43550-40C11	RUBBER	2	
30	02112-35163	SCREW, OUTER	2	
31	02112-35203	SCREW, INNER	2	
32	43642-40C00	BOLT	2	
33	09160-10031	WASHER	2	
34	08332-11063	E RING	2	
35	06111-07004	BALL	2	
36	09440-05003	SPRING	2	
37	01550-08207	BOLT	2	
38	01550-08307	BOLT	4	

REFER TO FIG. 35A(G-7) FOR MODEL S/T/V/W

GSX-R1100NW E28

64

AIR CLEANER.....	C-11	COYLING BODY.....	I-04	FRAME COVER.....	H-02	FUEL TANK.....	G-09	MUFFLER.....	D-02	REAR MASTER CYLINDER	L-11	STEERING DAMPER.....	K-05
ALTERNATOR.....	E-11	CRANKCASE COVER.....	B-09	FRAME.....	G-02	GEAR SHIFTING.....	E-08	OIL COOLER.....	D-04	REAR SWINGING ARM..	L-02	STEERING STEM.....	K-04
BATTERY.....	F-02	CRANKCASE.....	B-06	FRONT BRAKE HOSE...	K-10	HANDLE LEVER.....	H-16	OIL PAN - OIL PUMP..	B-10	REAR WHEEL.....	L-06	TAIL LAMP.....	F-10
CAM CHAIN.....	C-04	CRANKSHAFT.....	B-12	FRONT CALIPERS.....	K-08	HANDLE SWITCH.....	F-15	OPTIONAL.....	L-13	SEAT.....	J-05	TRANSMISSION.....	E-06
CAM SHAFT - VALVE..	C-02	CYLINDER HEAD COVER	B-02	FRONT DAMPER.....	K-02	HANDLEBAR.....	H-14	RADIATOR HOSE.....	D-07	SIGNAL GENERATOR...	E-15	TURN SIGNAL LAMP....	F-09
CARBURETOR FITTINGS	C-09	CYLINDER HEAD.....	B-03	FRONT FENDER.....	H-13	HEADLAMP.....	F-07	RADIATOR.....	D-04	SPEEDOMETER.....	F-04	WATER PUMP.....	D-05
CARBURETOR.....	C-05	CYLINDER.....	B-05	FRONT MASTER CYLIND	K-12	INSTALLATION PARTS..	I-08	REAR CALIPER.....	L-09	STAND.....	G-04	WIRING HARNESS.....	F-11
CLUTCH MASTER CYLIN	K-14	ELECTRICAL.....	F-03	FRONT WHEEL.....	K-04	INSTALLATION PARTS..	J-02	REAR CUSHION LEVER..	L-04	STARTER CLUTCH.....	B-14		
CLUTCH.....	E-02	FOOTREST.....	G-05	FUEL COCK.....	G-14	LABEL.....	J-04	REAR FENDER.....	I-02	STARTING MOTOR.....	E-10		

FIG. 35 A

G 7

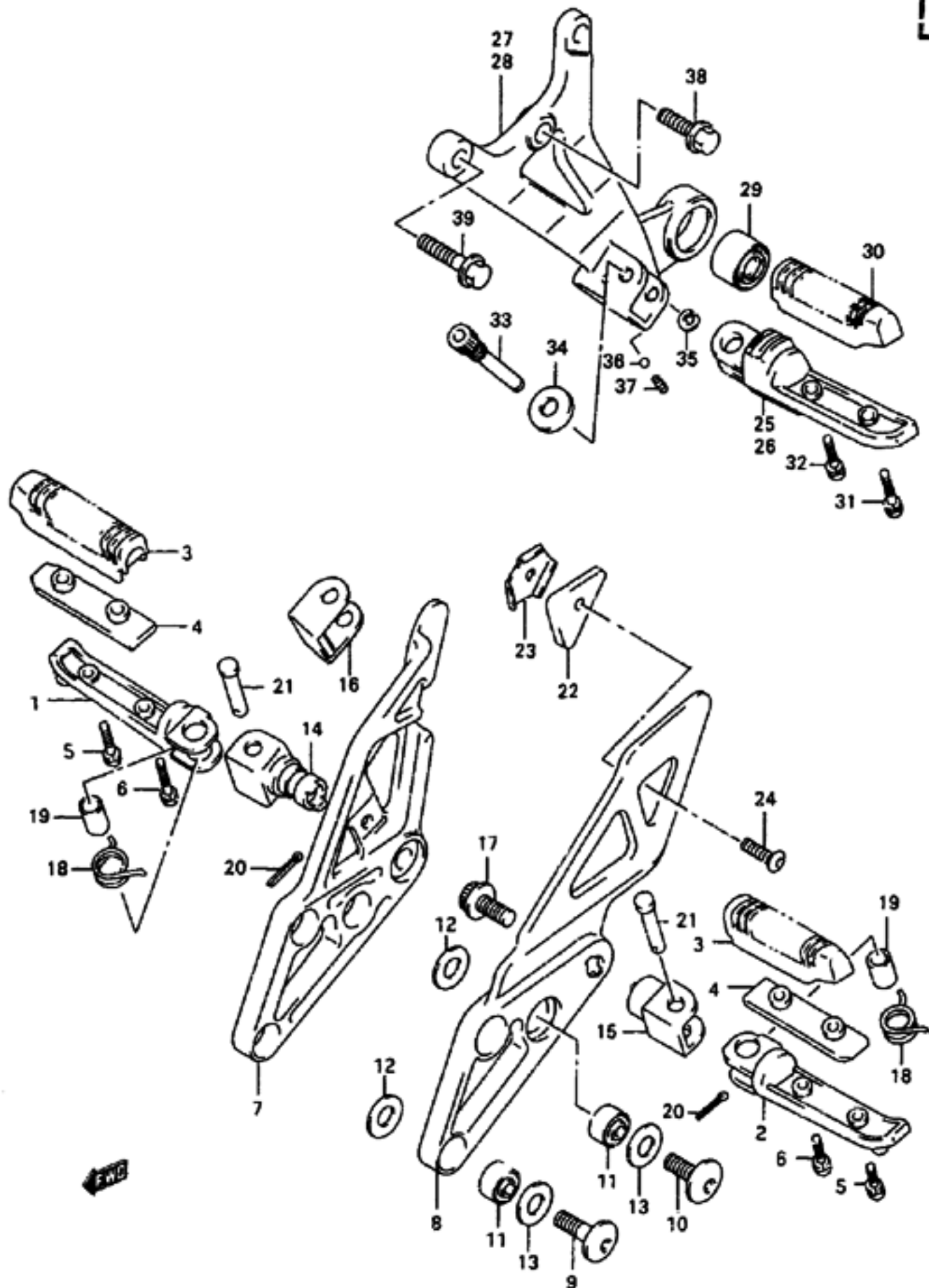


FIG. 35A (G- 7) FOOTREST (MODEL S/T/V/W)

REF. NO.	PART NO.	DESCRIPTION	Q'TY	REMARKS
1	43511-40C00	BAR, FRONT FOOTREST RH	1	
2	43521-40C00	BAR, FRONT FOOTREST LH	1	
3	43550-46E00	RUBBER, FOOTREST	2	
4	43534-46E00	BAR, FOOTREST INNER	2	
5	02112-35203	SCREW, OUTER	2	
6	02112-35253	SCREW, INNER	2	
7	43511-46E10	BRACKET, FOOTREST RH	1	
8	43522-46E10	BRACKET, FOOTREST LH	1	
9-1	09106-08080	BOLT, FRONT	4	MODEL S
9-2	09106-08130	BOLT, FRONT	4	MODEL T/V/W
10-1	09106-08089	BOLT, REAR	2	MODEL S
10-2	09106-08129	BOLT, REAR	2	MODEL T/V/W
11	09319-08036	BUSH	6	
12	09161-12009	WASHER	12	
13-1	09160-08021	WASHER	6	MODEL S/T/V
13-2	09160-08131	WASHER	6	MODEL W
14	43530-27E00	HOLDER, FRONT FOOTREST, RH	1	
15	43540-46E10	HOLDER, FRONT FOOTREST, LH	1	
16	43570-46E20	CUSHION	2	
17	09106-10052	BOLT, FOOTREST HOLDER	2	
18-1	09448-19020	SPRING	2	MODEL S
18-2	09448-18022	SPRING	2	MODEL T/V/W
19	09180-08149	SPACER, FRONT FOOTREST	2	
20	04111-25158	COTTER PIN	2	
21	09200-08057	PIN	2	
22	43535-46E00	WEIGHT, BRACKET LH	1	
23	43560-46E00	COVER, WEIGHT	1	
24	09139-06028	SCREW, WEIGHT PLATE	1	

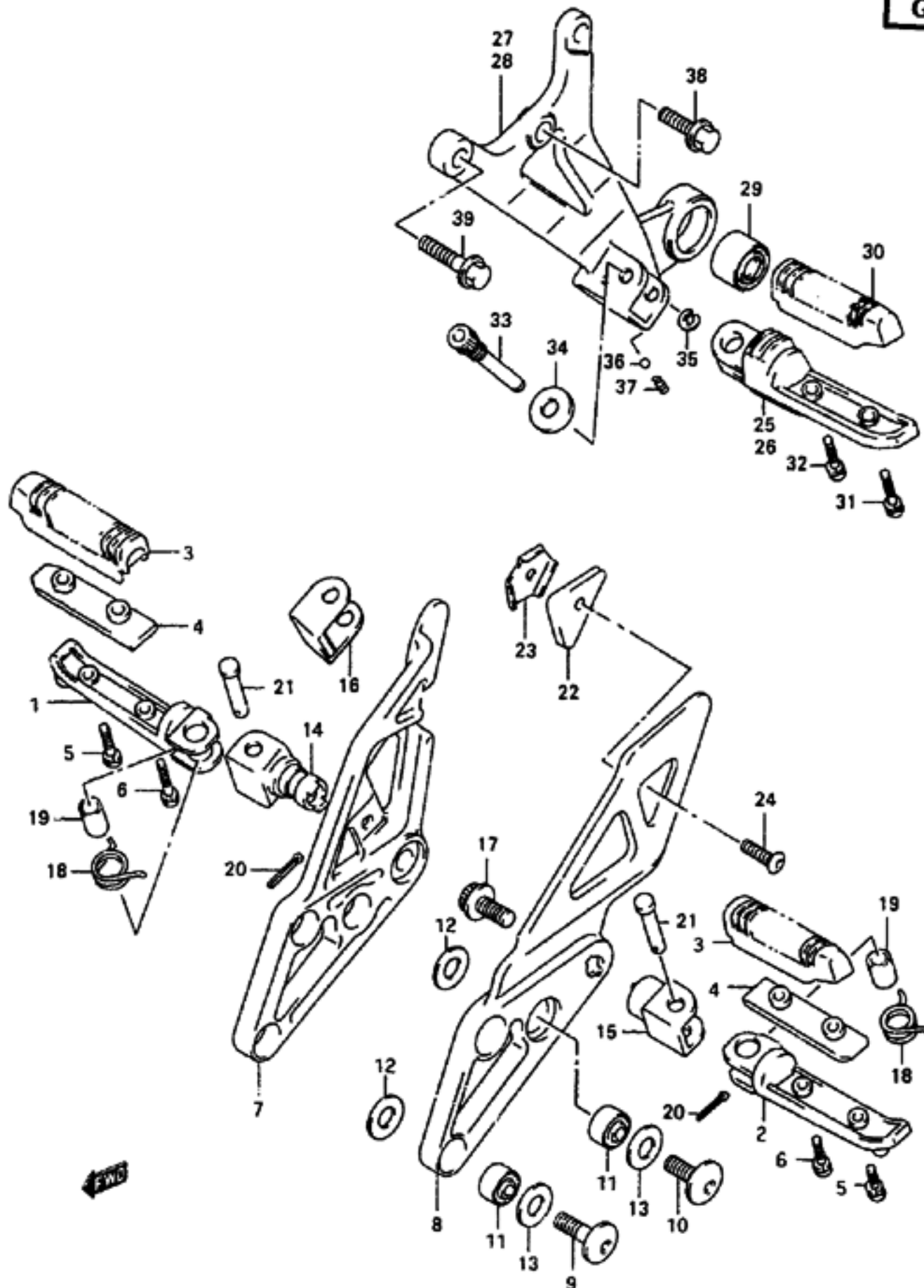
GSX-R1100W E28
65

AIR CLEANER..... C-11	COWLING BODY..... I-04	FRAME COVER..... H-02	FUEL TANK..... G-09	MUFFLER..... D-02	REAR MASTER CYLINDER..... L-11	STEERING DAMPER..... K-05
ALTERNATOR..... E-11	CRANKCASE COVER..... B-09	FRAME..... G-02	GEAR SHIFTING..... E-08	OIL COOLER..... D-04	REAR SWINGING ARM..... L-02	STEERING STEM..... K-04
BATTERY..... F-02	CRANKCASE..... B-06	FRONT BRAKE HOSE..... K-10	HANDLE LEVER..... H-16	OIL PAN - OIL PUMP..... B-10	REAR WHEEL..... L-06	TAIL LAMP..... F-10
CAM CHAIN..... C-04	CRANKSHAFT..... B-12	FRONT CALIPERS..... K-08	HANDLE SWITCH..... F-13	OPTIONAL..... L-13	SEAT..... J-05	TRANSMISSION..... E-04
CAM SHAFT - VALVE..... C-02	CYLINDER HEAD COVER..... B-02	FRONT DAMPER..... K-02	HANDLEBAR..... H-14	RADIATOR HOSE..... D-07	SIGNAL GENERATOR..... E-15	TURN SIGNAL LAMP..... F-09
CARBURETOR FITTINGS..... C-09	CYLINDER HEAD..... B-03	FRONT FENDER..... H-13	HEADLAMP..... F-07	RADIATOR..... D-04	SPEEDOMETER..... F-04	WATER PUMP..... D-05
CARBURETOR..... C-05	CYLINDER..... B-05	FRONT MASTER CYLINDER..... K-12	INSTALLATION PARTS..... I-08	REAR CALIPER..... L-09	STAND..... C-04	WIRING HARNESS..... F-11
CLUTCH MASTER CYLINDER..... K-14	ELECTRICAL..... F-03	FRONT WHEEL..... K-06	INSTALLATION PARTS..... J-02	REAR CUSHION LEVER..... L-04	STARTER CLUTCH..... B-14	
CLUTCH..... E-02	FOOTREST..... G-05	FUEL COCK..... G-14	LABEL..... J-04	REAR FENDER..... I-02	STARTING MOTOR..... E-10	

FIG. 35 A

G 8

FIG. 35A(G- 8) FOOTREST (MODEL S/T/V/W)



REF. NO.	PART NO.	DESCRIPTION	Q'TY	REMARKS
25	43610-40C00	FOOTREST, PILLION RH	1	
26	43620-40C00	FOOTREST, PILLION LH	1	
27	43910-46E20	BRACKET, PILLION FOOTREST R/L	1	
28	43820-46E20	BRACKET, PILLION FOOTREST LH	1	
29	09319-10057	BUSH	2	
30	43550-40C11	RUBBER	2	
31	02112-35163	SCREW, OUTER	2	
32	02112-35203	SCREW, INNER	2	
33	43642-40C00	BOLT	2	
34-1	09160-10031	WASHER	2	MODEL S/T/V
34-2	09160-10126	WASHER	2	MODEL W
35	08332-11063	E RING	2	
36	06111-07004	BALL	2	
37	09440-05003	SPRING	2	
38	01550-08203	BOLT	2	
39	01550-08303	BOLT	4	

GSX-R1100NW E28

AIR CLEANER.....	C-11	COMLING BODY.....	I-04	FRAME COVER.....	H-02	FUEL TANK.....	G-09	MUFFLER.....	D-02	REAR MASTER CYLINDER.....	L-11	STEERING DAMPER.....	K-05
ALTERNATOR.....	E-11	CRANKCASE COVER.....	B-09	FRAME.....	G-02	GEAR SHIFTING.....	E-08	OIL COOLER.....	D-04	REAR SWINGING ARM.....	L-02	STEERING STEN.....	K-04
BATTERY.....	F-02	CRANKCASE.....	B-06	FRONT BRAKE HOSE.....	K-10	HANDLE LEVER.....	H-16	OIL PAN - OIL PUMP.....	B-10	REAR WHEEL.....	L-06	TAIL LAMP.....	F-10
CAM CHAIN.....	C-04	CRANKSHAFT.....	B-12	FRONT CALIPERS.....	K-08	HANDLE SWITCH.....	F-13	OPTIONAL.....	L-13	SEAT.....	J-05	TRANSMISSION.....	E-06
CAM SHAFT - VALVE..	C-02	CYLINDER HEAD COVER	B-02	FRONT DAMPER.....	K-02	HANDLEBAR.....	H-14	RADIATOR HOSE.....	D-07	SIGNAL GENERATOR.....	E-15	TURN SIGNAL LAMP.....	F-09
CARBURETOR FITTINGS	C-09	CYLINDER HEAD.....	B-03	FRONT FENDER.....	H-13	HEADLAMP.....	F-07	RADIATOR.....	D-06	SPEEDOMETER.....	F-04	WATER PUMP.....	D-05
CARBURETOR.....	C-05	CYLINDER.....	B-05	FRONT MASTER CYLIND	K-12	INSTALLATION PARTS.	I-08	REAR CALIPER.....	L-09	STAND.....	G-04	WIRING HARNESS.....	F-11
CLUTCH MASTER CYLIN	K-14	ELECTRICAL.....	F-03	FRONT WHEEL.....	K-06	INSTALLATION PARTS.	J-02	REAR CUSHION LEVER.	L-04	STARTER CLUTCH.....	B-14		
CLUTCH.....	E-02	FOOTREST.....	G-05	FUEL COCK.....	G-14	LABEL.....	J-04	REAR FENDER.....	I-02	STARTING MOTOR.....	E-10		

FIG. 36

G 9

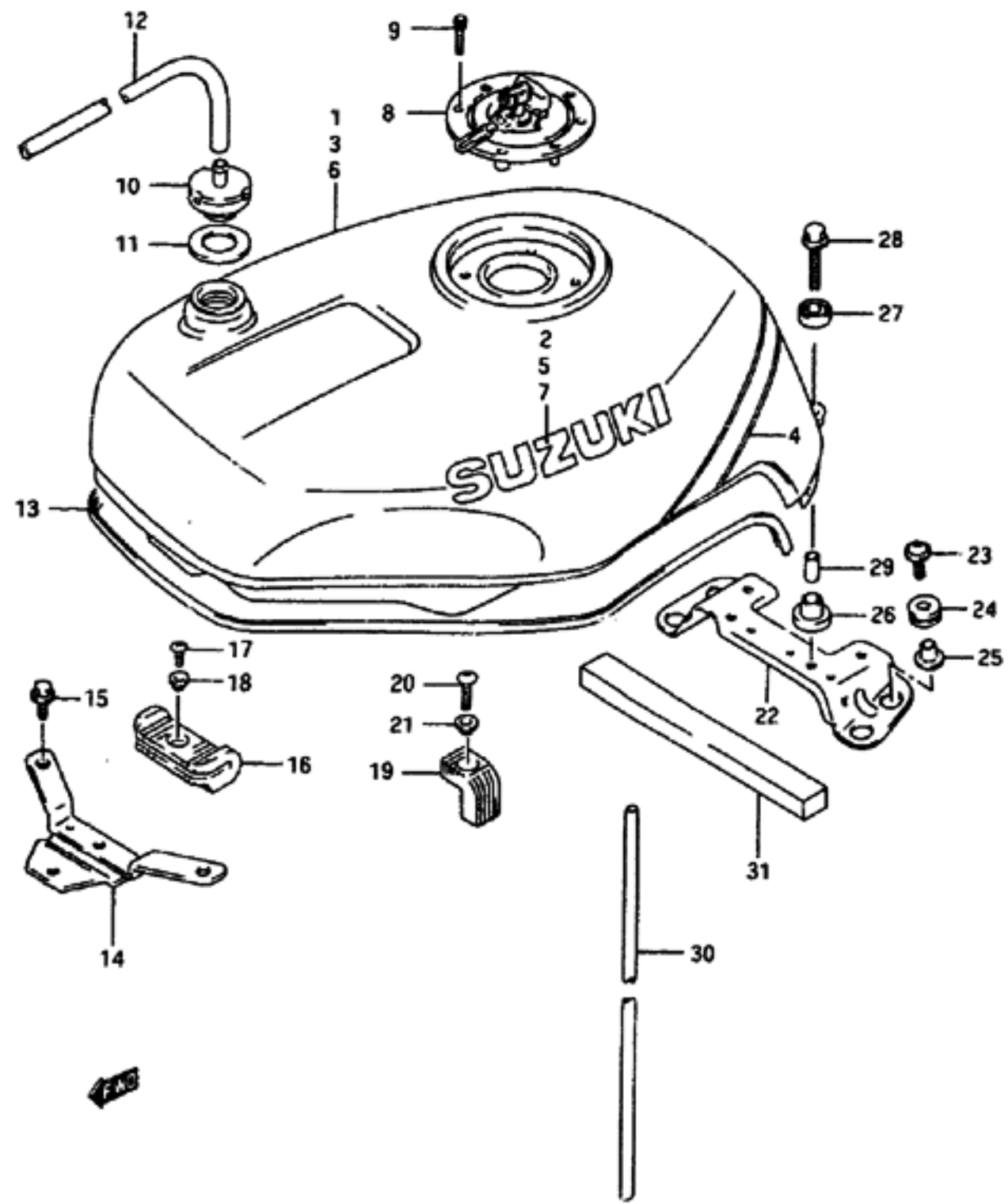


FIG. 38 (9- 9) FUEL TANK (MODEL P/R)

REF. NO.	PART NO.	DESCRIPTION	Q'TY	REMARKS
1	44100-46850-17U	TANK ASSY, FUEL (GRAY)	1	MODEL P
2	68111-12C00-33J	EMBLEM (BLACK)	2	MODEL P FOR 17U
3	44100-46820-M18	TANK ASSY, FUEL	1	MODEL P
4	68115-17E11-A5S	TAPE, FUEL TANK	1	MODEL P FOR M18
5	68111-12C00-0JW	EMBLEM (WHITE)	2	MODEL P FOR M18
6-1	44100-46EAO-1LE	TANK ASSY, FUEL (BLUE)	1	MODEL R FOR M18
6-2	44100-46EAO-33J	TANK ASSY, FUEL (BLACK)	1	MODEL R FOR 33J
7-1	68111-12C00-0FP	EMBLEM (SILVER)	2	MODEL R FOR 1LE
7-2	68111-12C00-17U	EMBLEM (GRAY)	2	MODEL R FOR 33J
8	44201-01851	CAP SET, FUEL TANK	1	
9	09106-05017	BOLT	4	
10	44240-06B10	PLUG, BREATHER	1	
11	09168-12012	GASKET	1	
12	09352-50823-600	HOSE, BREATHER (L:600-370)	1	
13	68241-17E00	MOLDING, FUEL TANK	1	
14	44520-17E03	BRACKET, FRONT	1	
15	01550-06187	BOLT	3	
16	44511-41C00	CUSHION, FRONT	1	
17-1	02142-05104	SCREW	1	MODEL P
17-2	02142-05103	SCREW	1	MODEL R
18	09169-05012	WASHER	1	
19	44545-33C01	CUSHION, SIDE	2	
20	02142-06207	SCREW	2	
21	09169-05051	WASHER	2	
22-1	44530-46E00	BRACKET, FUEL TANK REAR	1	MODEL P
22-2	44530-46E01	BRACKET, FUEL TANK REAR	1	MODEL R
23-1	09136-06022	BOLT	4	MODEL P
23-2	09136-06126	BOLT	4	MODEL R

COLOR : M18 = 0JW(WHITE), 1LE(BLUE)

REFER TO FIG. 38A(G-11) FOR MODEL S
 REFER TO FIG. 38B(G-12) FOR MODEL T
 REFER TO FIG. 38C(G-13) FOR MODEL V/W

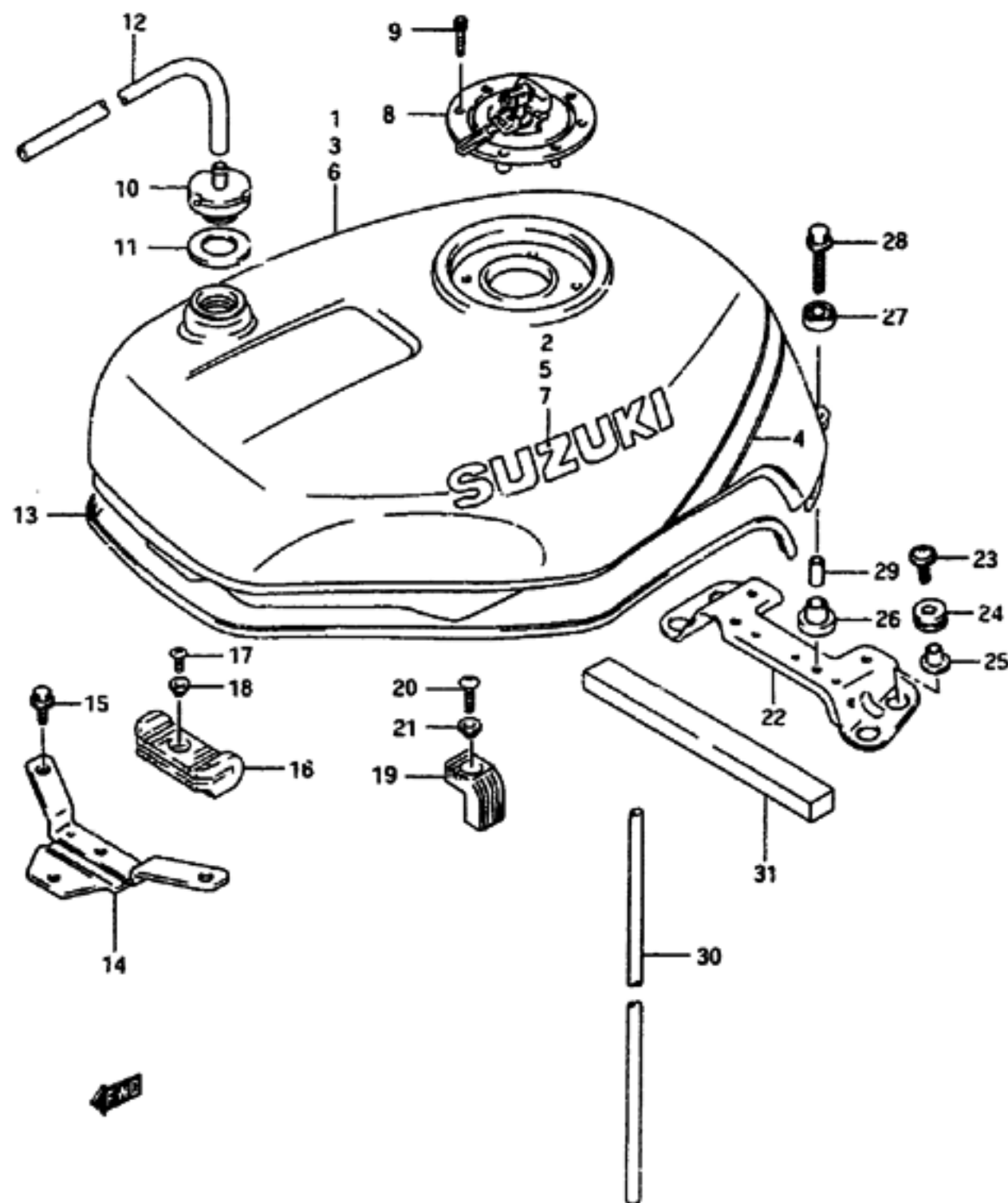
GSX-R1100W E28

AIR CLEANER.....	C-11	COWLING BODY.....	I-04	FRAME COVER.....	H-02	FUEL TANK.....	G-09	MUFFLER.....	D-02	REAR MASTER CYLINDER	L-11	STEERING DAMPER.....	K-05
ALTERNATOR.....	E-11	CRANKCASE COVER.....	B-09	FRAME.....	G-02	GEAR SHIFTING.....	E-08	OIL COOLER.....	D-04	REAR SWINGING ARM..	L-02	STEERING STEM.....	K-04
BATTERY.....	F-02	CRANKCASE.....	B-06	FRONT BRAKE HOSE...	K-10	HANDLE LEVER.....	H-16	OIL PAN - OIL PUMP..	B-10	REAR WHEEL.....	L-06	TAIL LAMP.....	F-10
CAM CHAIN.....	C-04	CRANKSHAFT.....	B-12	FRONT CALIPERS.....	K-08	HANDLE SWITCH.....	F-13	OPTIONAL.....	L-13	SEAT.....	J-05	TRANSMISSION.....	E-06
CAM SHAFT - VALVE..	C-02	CYLINDER HEAD COVER	B-02	FRONT DAMPER.....	K-02	HANDLEBAR.....	H-14	RADIATOR HOSE.....	D-07	SIGNAL GENERATOR...	E-15	TURN SIGNAL LAMP....	F-09
CARBURETOR FITTINGS	C-09	CYLINDER HEAD.....	B-03	FRONT FENDER.....	H-13	HEADLAMP.....	F-07	RADIATOR.....	D-04	SPEEDOMETER.....	F-04	WATER PUMP.....	D-05
CARBURETOR.....	C-05	CYLINDER.....	B-05	FRONT MASTER CYLIND	K-32	INSTALLATION PARTS..	I-08	REAR CALIPER.....	L-09	STAND.....	G-04	WIRING HARNESS.....	F-11
CLUTCH MASTER CYLIN	K-14	ELECTRICAL.....	F-03	FRONT WHEEL.....	K-04	INSTALLATION PARTS..	J-02	REAR CUSHION LEVER..	L-04	STARTER CLUTCH.....	B-14		
CLUTCH.....	E-02	FOOTREST.....	G-05	FUEL COCK.....	G-14	LABEL.....	J-04	REAR FENDER.....	I-02	STARTING MOTOR.....	E-10		

FIG. 36

G 10

FIG. 36 (G-10) FUEL TANK (MODEL P/R)



REF. NO.	PART NO.	DESCRIPTION	Q'TY	REMARKS
24	09320-09009	CUSHION, REAR	4	
25	09169-06082	SPACER	4	
26	09320-10038	CUSHION, REAR LOWER	2	
27	09320-14017	CUSHION, REAR UPPER	2	
28	01500-06353	BOLT	2	
29	09180-06072	SPACER	2	
30	09352-70103-008	HOSE, WATER DRAIN (L:2000-640)	1	
31	13241-17E00	CUSHION, AIR SEAL	1	

COLOR : M18 = 0JW (WHITE), 1LE (BLUE)

REFER TO FIG. 36A (G-11) FOR MODEL S
 REFER TO FIG. 36B (G-12) FOR MODEL T
 REFER TO FIG. 36C (G-13) FOR MODEL V/W

GSX-R1100WW E28

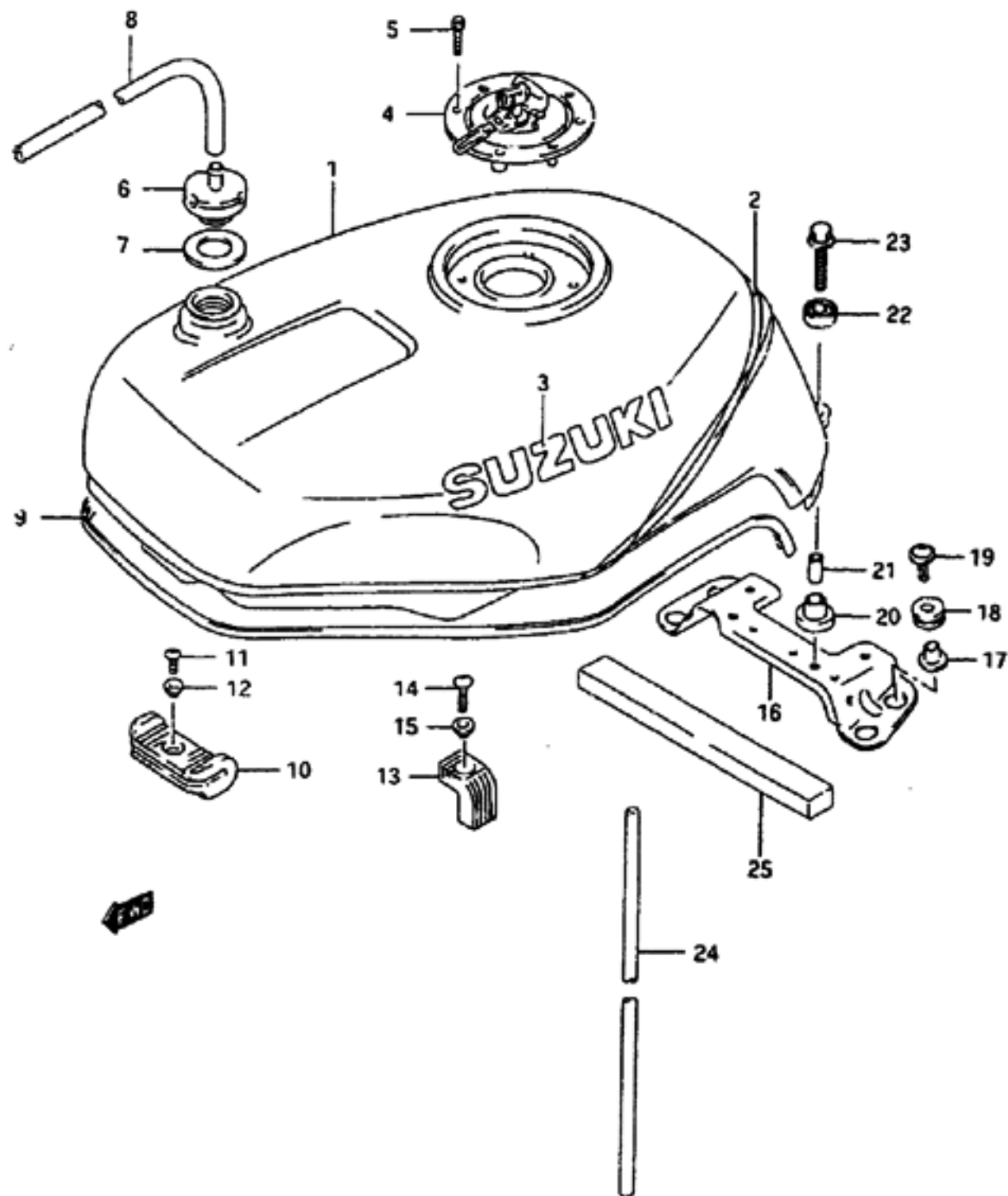
68

AIR CLEANER.....	C-11	COWLING BODY.....	I-04	FRAME COVER.....	H-02	FUEL TANK.....	G-09	MUFFLER.....	D-02	REAR MASTER CYLINDER.....	L-11	STEERING DAMPER.....	K-05
ALTERNATOR.....	E-11	CRANKCASE COVER.....	B-09	FRAME.....	G-02	GEAR SHIFTING.....	E-08	OIL COOLER.....	D-04	REAR SWINGING ARM.....	L-02	STEERING STEM.....	K-04
BATTERY.....	F-02	CRANKCASE.....	B-06	FRONT BRAKE HOSE.....	K-10	HANDLE LEVER.....	H-16	OIL PAN - OIL PUMP.....	B-10	REAR WHEEL.....	L-06	TAIL LAMP.....	F-10
CAN CHAIN.....	C-04	CRANKSHAFT.....	B-12	FRONT CALIPERS.....	K-08	HANDLE SWITCH.....	F-13	OPTIONAL.....	L-15	SEAT.....	J-05	TRANSMISSION.....	E-06
CAN SHAFT - VALVE.....	C-02	CYLINDER HEAD COVER.....	B-02	FRONT DAMPER.....	K-02	HANDLEBAR.....	H-14	RADIATOR HOSE.....	D-07	SIGNAL GENERATOR.....	E-15	URNSIGNAL LAMP.....	F-09
CARBURETOR FITTINGS.....	C-09	CYLINDER HEAD.....	B-03	FRONT FENDER.....	H-13	HEADLAMP.....	F-07	RADIATOR.....	D-04	SPEEDOMETER.....	F-04	WATER PUMP.....	D-05
CARBURETOR.....	C-05	CYLINDER.....	B-05	FRONT MASTER CYLINDER.....	K-12	INSTALLATION PARTS.....	I-08	REAR CALIPER.....	L-09	STAND.....	G-04	WIRING HARNESS.....	F-11
CLUTCH MASTER CYLINDER.....	K-14	ELECTRICAL.....	F-03	FRONT WHEEL.....	K-06	INSTALLATION PARTS.....	J-02	REAR CUSHION LEVER.....	L-04	STARTER CLUTCH.....	B-14		
CLUTCH.....	E-02	FOOTREST.....	G-05	FUEL COCK.....	G-14	LABEL.....	J-04	REAR FENDER.....	I-02	STARTING MOTOR.....	E-10		

FIG. 36A

G 11

FIG. 36A(G-11) FUEL TANK (MODEL S)



REF. NO.	PART NO.	DESCRIPTION	Q'TY	REMARKS
1-1	44100-46ED0-M18	TANK ASSY, FUEL	1	
1-2	44100-46ED0-A6G	TANK ASSY, FUEL	1	
1-3	44100-46ED0-C3R	TANK ASSY, FUEL	1	
2-1	68115-17E20-D4G	.TAPE, FUEL TANK	1	FOR M18
2-2	68115-17E20-D5Y	.TAPE, FUEL TANK	1	FOR A6G
2-3	68115-17E20-D5Z	.TAPE, FUEL TANK	1	FOR C3R
3-1	68111-12C00-0JW	.EMBLEM (WHITE)	2	FOR M18
3-2	68111-12C00-20H	.EMBLEM (SILVER)	2	FOR A6G
3-3	68111-12C00-17U	.EMBLEM. (GRAY)	2	FOR C3R
4	44201-01852	CAP SET, FUEL TANK	1	
5	09106-05017	BOLT	4	
6	44240-06B10	PLUG, BREATHER	1	
7	09168-12012	GASKET	1	
8	09352-50823-600	HOSE, BREATHER (L:600-370)	1	
9	68241-04X50-00B	MOLDING, FUEL TANK	1	
10	44511-41C00	CUSHION, FRONT	1	
11	02142-05103	SCREW	1	
12	09169-05012	WASHER	1	
13	44545-33C01	CUSHION, SIDE	2	
14	02142-06203	SCREW	2	
15	09169-06045	WASHER	2	
16	44530-46E01	BRACKET, REAR	1	
17	09169-06082	WASHER	4	
18	09320-09009	CUSHION, BRACKET	4	
19	09138-06126	SCREW	4	
20	09320-10038	CUSHION, LOWER	2	
21	09180-06072	SPACER	2	
22	09320-14J17	CUSHION, UPPER	2	
23	01550-06353	BOLT	2	
24	09352-70103-00B	HOSE, DRAIN (L:2000-640)	1	
25	13841-17E00	CUSHION, AIR SEAL	1	

COLOR : M18 = 0JW (WHITE), 1LE (BLUE)
 COLOR : A6G = 33J (BLACK), 1TY (RED)
 COLOR : C3R = 33J (BLACK), 1TU (PURPLE)

REFER TO FIG. 36B (G-12) FOR MODEL T
 REFER TO FIG. 36C (G-13) FOR MODEL V/W

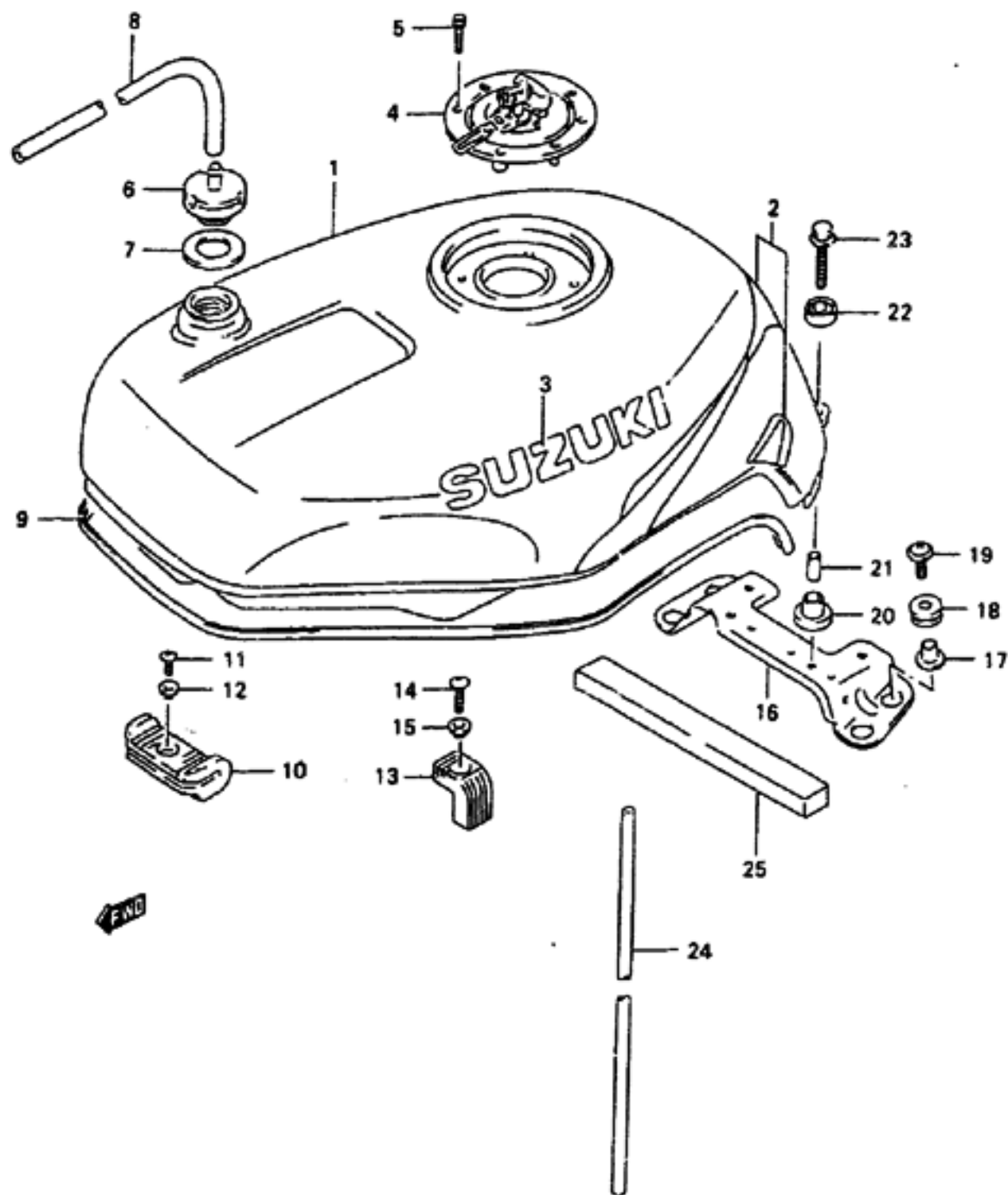
GSX-R1100NW E28

AIR CLEANER.....	C-11	CONLING BODY.....	I-04	FRAME COVER.....	H-02	FUEL TANK.....	G-09	MUFFLER.....	D-02	REAR MASTER CYLINDE	L-11	STEERING DAMPER....	K-05
ALTERNATOR.....	E-11	CRANKCASE COVER....	B-09	FRAME.....	G-02	GEAR SHIFTING.....	E-08	OIL COOLER.....	D-04	REAR SWINGING ARM..	L-02	STEERING STEM.....	K-04
BATTERY.....	F-02	CRANKCASE.....	B-06	FRONT BRAKE HOSE...	K-10	HANDLE LEVER.....	H-16	OIL PAN - OIL PUMP..	B-10	REAR WHEEL.....	L-06	TAIL LAMP.....	F-10
CAN CHAIN.....	C-04	CRANKSHAFT.....	B-12	FRONT CALIPERS.....	K-08	HANDLE SWITCH.....	F-13	OPTIONAL.....	L-13	SEAT.....	J-05	TRANSMISSION.....	E-06
CAM SHAFT - VALVE..	C-02	CYLINDER HEAD COVER	B-02	FRONT DAMPER.....	K-02	HANDLEBAR.....	H-14	RADIATOR HOSE.....	D-07	SIGNAL GENERATOR...	E-15	TURN SIGNAL LAMP....	F-09
CARBURETOR FITTINGS	C-09	CYLINDER HEAD.....	B-03	FRONT FENDER.....	H-13	HEADLAMP.....	F-07	RADIATOR.....	D-06	SPEEDOMETER.....	F-04	WATER PUMP.....	D-05
CARBURETOR.....	C-05	CYLINDER.....	B-05	FRONT MASTER CYLIND	K-12	INSTALLATION PARTS..	I-08	REAR CALIPER.....	L-09	STAND.....	G-04	WIRING HARNESS.....	F-11
CLUTCH MASTER CYLIN	K-14	ELECTRICAL.....	F-03	FRONT WHEEL.....	K-06	INSTALLATION PARTS..	J-02	REAR CUSHION LEVER..	L-04	STARTER CLUTCH.....	B-14		
CLUTCH.....	E-02	FOOTREST.....	G-05	FUEL COCK.....	G-14	LABEL.....	J-04	REAR FENDER.....	I-02	STARTING MOTOR.....	E-10		

FIG. 36 B

G 12

FIG. 36B(G-12) FUEL TANK (MODEL T)



REF. NO.	PART NO.	DESCRIPTION	Q'TY	REMARKS
1-1	44100-46EGD-E9S	TANK ASSY, FUEL	1	FOR E9P
1-2	44100-46EGD-3CG	TANK ASSY, FUEL	1	FOR C3B
2-1	68110-46E00-E9P	.TAPE, FUEL TANK	1	FOR E9S
2-2	68110-46E00-C3B	.TAPE, FUEL TANK	1	FOR 3CG
3	68111-12C00-OJW	.EMBLEM (WHITE)	2	
4	44201-01852	CAP SET, FUEL TANK	1	
5	09106-05017	BOLT	4	
6	44240-06B10	PLUG, BREATHER	1	
7	09168-12012	GASKET	1	
8	09352-50823-600	HOSE, BREATHER (L:600-370)	1	
9	68241-04X50-00B	MOLDING, FUEL TANK	1	
10	44511-41C00	CUSHION, FRONT	1	
11	02142-05103	SCREW	1	
12	09169-05012	WASHER	1	
13	44545-33C01	CUSHION, SIDE	2	
14	02142-06203	SCREW	2	
15	09169-06045	WASHER	2	
16	44530-46E01	BRACKET, REAR	1	
17	09169-06082	WASHER	4	
18	09320-09009	CUSHION, BRACKET	4	
19	09136-06126	SCREW	4	
20	09320-10038	CUSHION, LOWER	2	
21	09180-06072	SPACEK	2	
22	09320-14017	CUSHION, UPPER	2	
23	01550-06353	BOLT	2	
24	09352-70103-00B	HOSE, DRAIN (L:2000-640)	1	
25	13841-17E00	CUSHION, AIR SEAL	1	

COLOR : E9P = OJW (WHITE), Z12 (BLUE)
 COLOR : C3B = 17U (GRAY), 1TU (PURPLE)
 COLOR : E9S = OJW (WHITE), 33J (BRACK)
 COLOR : 3CG = 17U (GRAY), 33J (BRACK)

REFER TO FIG. 35C(G-13) FOR MODEL V/W

GSX-R1100NW E28

70

AIR CLEANER.....	C-11	COYLING BODY.....	I-04	FRAME COVER.....	H-02	FUEL TANK.....	G-09	MUFFLER.....	D-02	REAR MASTER CYLINDER	L-11	STEERING DAMPER.....	K-05
ALTERNATOR.....	E-11	CRANKCASE COVER.....	B-09	FRAME.....	G-02	GEAR SHIFTING.....	E-08	OIL COOLER.....	D-04	REAR SWINGING ARM..	L-02	STEERING STEM.....	K-04
BATTERY.....	F-02	CRANKCASE.....	B-06	FRONT BRAKE HOSE...	K-10	HANDLE LEVER.....	H-16	OIL PAN - OIL PUMP..	B-10	REAR WHEEL.....	L-06	TAIL LAMP.....	F-10
CAM CHAIN.....	C-04	CRANKSHAFT.....	B-12	FRONT CALIPERS.....	K-08	HANDLE SWITCH.....	F-13	OPTIONAL.....	L-13	SEAT.....	J-05	TRANSMISSION.....	E-06
CAM SHAFT - VALVE..	C-02	CYLINDER HEAD COVER	B-02	FRONT DAMPER.....	K-02	HANDLEBAR.....	H-14	RADIATOR HOSE.....	D-07	SIGNAL GENERATOR...	E-15	TURN SIGNAL LAMP....	F-09
CARBURETOR FITTINGS	C-09	CYLINDER HEAD.....	B-03	FRONT FENDER.....	H-13	HEADLAMP.....	F-07	RADIATOR.....	D-04	SPEEDOMETER.....	F-04	WATER PUMP.....	D-05
CARBURETOR.....	C-05	CYLINDER.....	B-05	FRONT MASTER CYLIND	K-12	INSTALLATION PARTS..	I-08	REAR CALIPER.....	L-09	STAND.....	G-04	WIRING HARNESS.....	F-11
CLUTCH MASTER CYLIN	K-14	ELECTRICAL.....	F-03	FRONT WHEEL.....	K-04	INSTALLATION PARTS..	J-02	REAR CUSHION LEVER..	L-04	STARTER CLUTCH.....	B-14		
CLUTCH.....	E-02	FOOTREST.....	G-05	FUEL COCK.....	G-14	LABEL.....	J-04	REAR FENDER.....	L-02	STARTING MOTOR.....	E-10		

FIG. 36 C

G 13

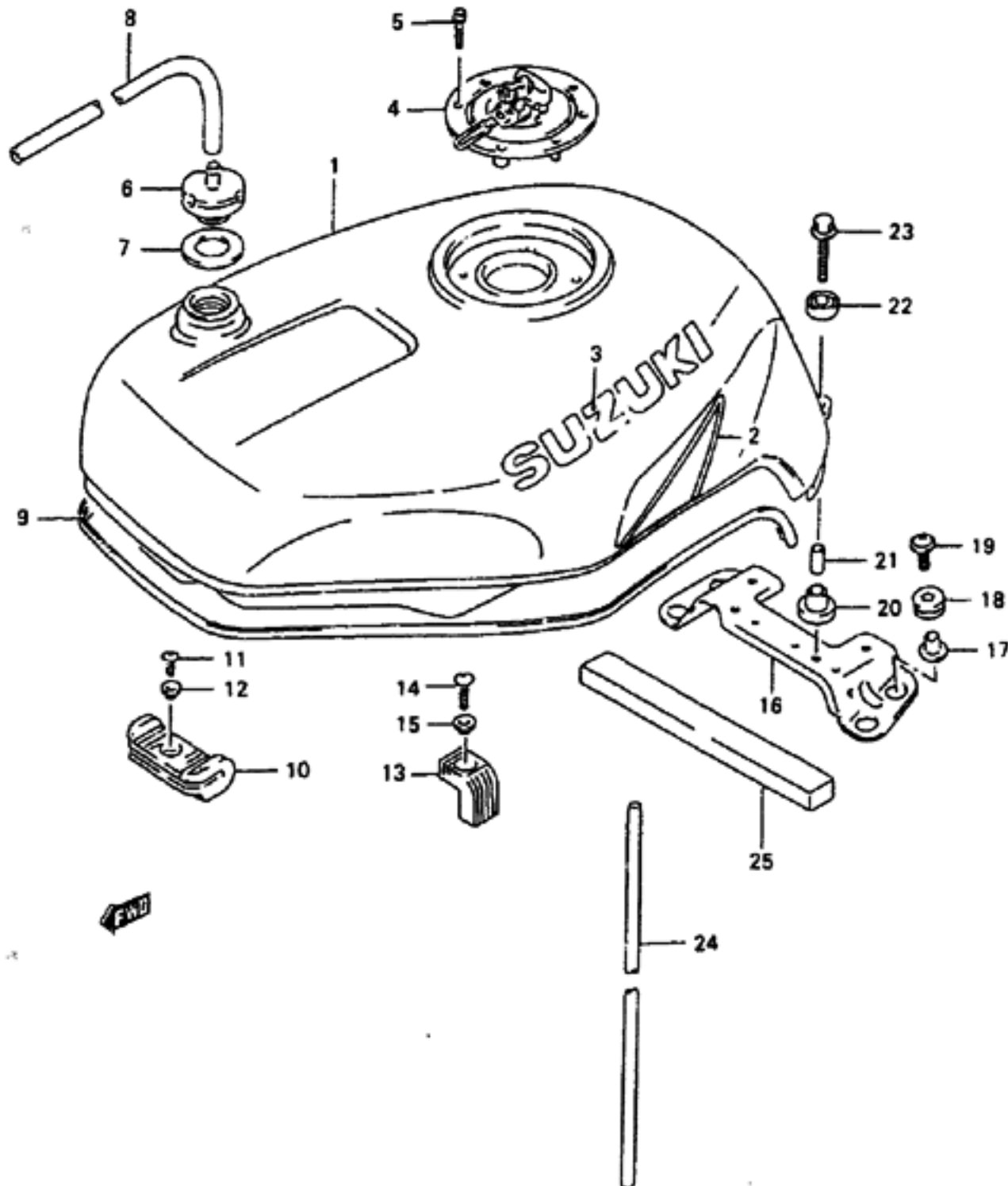


FIG. 36C(G-13) FUEL TANK (MODEL V/W)

REF. NO.	PART NO.	DESCRIPTION	Q'TY	REMARKS
1-1	44100-46EK0-G4V	TANK ASSY, FUEL	1	MODEL V
1-2	44100-46EK0-G2P	TANK ASSY, FUEL	1	MODEL V
1-3	44100-46EK0-K1V	TANK ASSY, FUEL	1	MODEL W
1-4	44100-46EK0-G2E	TANK ASSY, FUEL	1	MODEL W
2-1	68110-46E10-G8L	.TAPE, FUEL TANK	1	MODEL V FOR G4V
2-2	68110-46E10-G6M	.TAPE, FUEL TANK	1	MODEL V FOR G2P
2-3	68110-46E10-K2G	.TAPE, FUEL TANK	1	MODEL W FOR K1V
2-4	68110-46E10-E8B	.TAPE, FUEL TANK	1	MODEL W FOR G2E
3-1	68111-12C00-20H	.EMBLEM (SILVER)	2	FOR G4V, G2E
3-2	68111-12C00-0AT	.EMBLEM (CHROME)	2	FOR G2P
3-3	68111-12C00-21J	.EMBLEM (SILVER)	2	FOR K1V
4	44201-01852	CAP SET, FUEL TANK	1	
5	09106-05017	BOLT	4	
6	44240-06B10	PLUG, BREATHER	1	
7	09168-12012	GASKET	1	
8	09352-50823-800	HOSE, BREATHER (L:800-370)	1	
9	68241-04X50-00B	MOLDING, FUEL TANK	1	
10	44511-41C00	CUSHION, FRONT	1	
11	02142-05103	SCREW	1	
12	09169-05012	WASHER	1	
13	44545-33C01	CUSHION, SIDE	2	
14	02142-08203	SCREW	2	
15	09169-06045	WASHER	2	
16	44530-46E01	BRACKET, REAR	1	
17	09169-06062	WASHER	4	
18	09320-09009	CUSHION, BRACKET	4	
19	09136-06126	SCREW	4	
20	09320-10038	CUSHION, LOWER	2	
21	09180-06271	SPACER	2	
22	09320-14017	CUSHION, UPPER	2	
23	01550-06353	BOLT	2	
24	09352-70103-00E	HOSE, DRAIN (L:2000-640)	1	
25	13841-17E00	CUSHION, AIR SEAL	1	

COLOR : G4V = 0JW (WHITE), YOP (BLUE)
 : G2P = 33J (BLACK), 22U (MAROON)
 : K1V = 0JW (WHITE), YON (GLUE)
 : G2E = 33J (BLACK), 35W (GRAY)

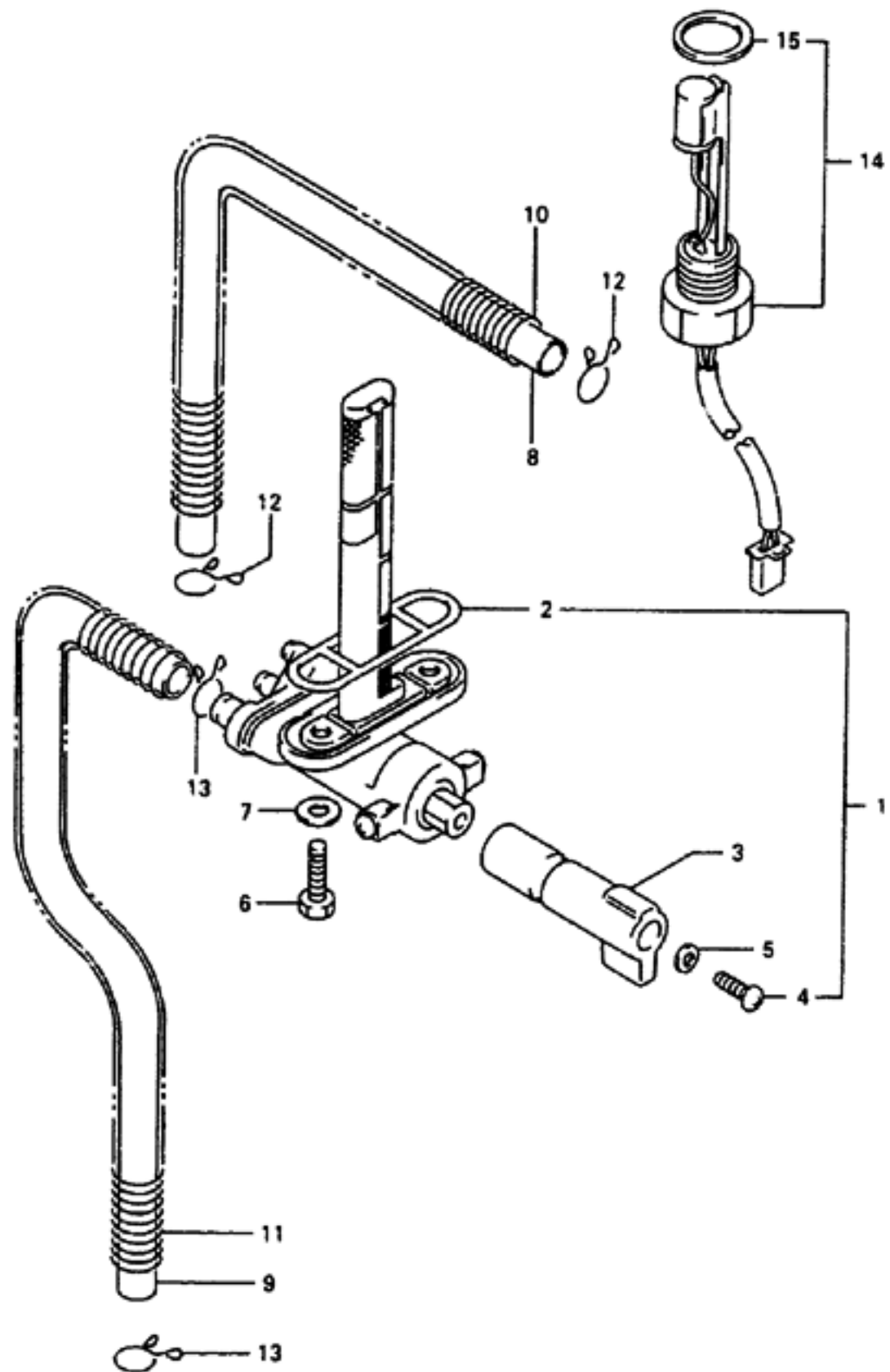
GSX-R1100WV E28

AIR CLEANER.....	C-11	CONVING BODY.....	I-04	FRAME COVER.....	H-32	FUEL TANK.....	G-09	MUFFLER.....	D-02	REAR MASTER CYLIND	L-11	STEERING DAMPER....	K-05
ALTERNATOR.....	E-11	CRANKCASE COVER...	B-09	FRAME.....	G-02	GEAR SHIFTING.....	E-08	OIL COOLER.....	D-04	REAR SWINGING ARM..	L-02	STEERING STER.....	K-04
BATTERY.....	F-02	CRANKCASE.....	B-06	FRONT BRAKE HOSE...	K-10	HANDLE LEVER.....	H-16	OIL PAN - OIL PUMP.	B-10	REAR WHEEL.....	L-06	TAIL LAMP.....	F-10
CAM CHAIN.....	C-04	CRANKSHAFT.....	B-12	FRONT CALIPERS.....	K-08	HANDLE SWITCH.....	F-13	OPTIONAL.....	L-13	SEAT.....	J-05	TRANSMISSION.....	E-06
CAM SHAFT - VALVE..	C-02	CYLINDER HEAD COVER	B-02	FRONT DAMPER.....	K-02	HANDLEBAR.....	H-14	RADIATOR HOSE.....	D-07	SIGNAL GENERATOR...	E-15	TURNSIGNAL LAMP...	F-09
CARBURETOR FITTINGS	C-09	CYLINDER HEAD.....	B-03	FRONT FENDER.....	H-13	HEADLAMP.....	F-07	RADIATOR.....	D-04	SPEEDOMETER.....	F-04	WATER PUMP.....	D-05
CARBURETOR.....	C-05	CYLINDER.....	B-05	FRONT MASTER CYLIND	K-12	INSTALLATION PARTS.	I-08	REAR CALIPER.....	L-09	STAND.....	G-04	WIRING HARNESS.....	F-11
CLUTCH MASTER CYLIN	K-14	ELECTRICAL.....	F-03	FRONT WHEEL.....	K-06	INSTALLATION PARTS.	J-02	REAR CUSHION LEVER.	L-04	STARTER CLUTCH.....	B-14		
CLUTCH.....	E-02	FOG LIGHT.....	G-05	FUEL COCK.....	G-14	LABEL.....	J-04	REAR FENDER.....	I-02	STARTING MOTOR.....	E-10		

FIG. 37

G 14

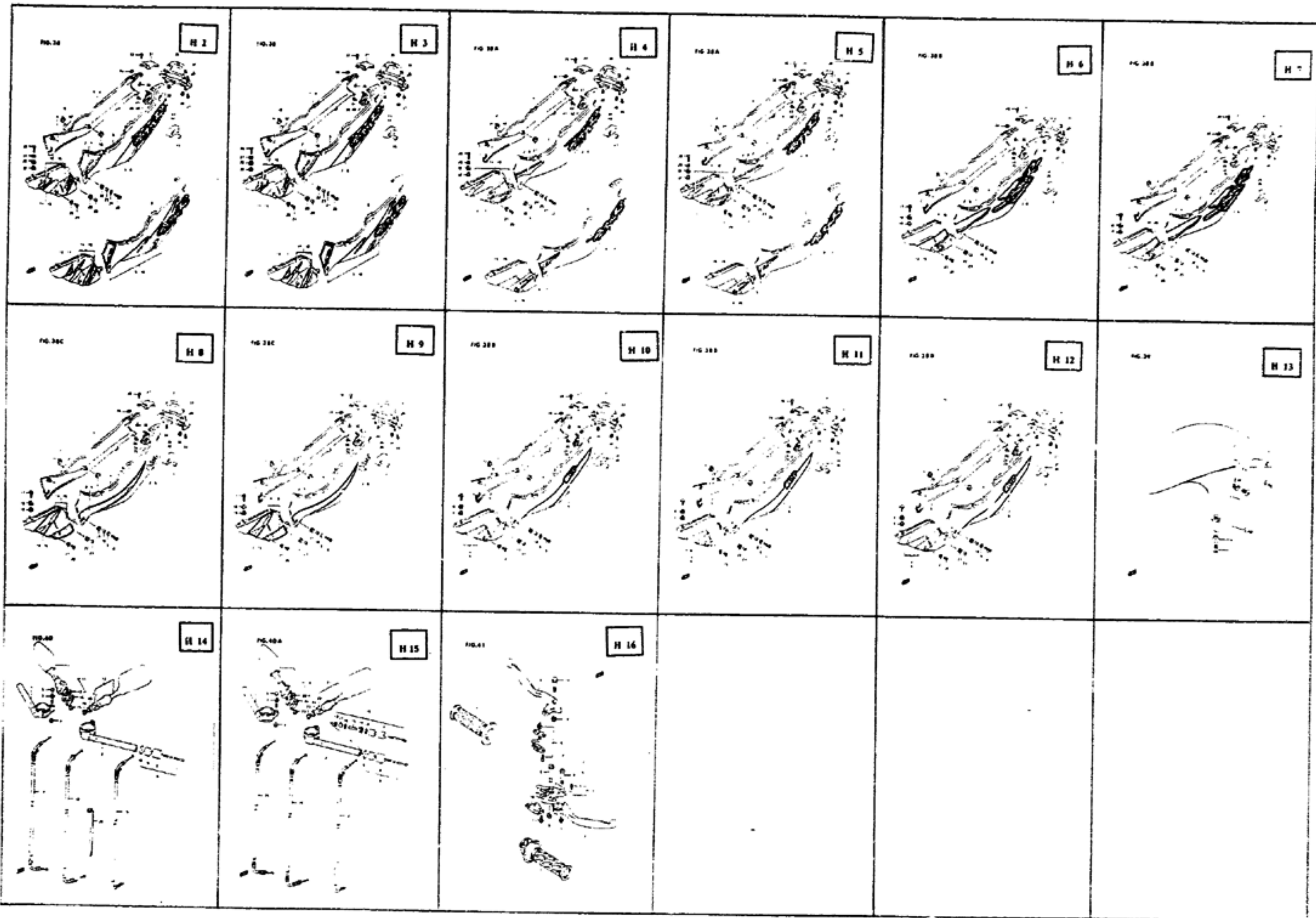
FIG. 37 (G-14) FUEL COCK



REF. NO.	PART NO.	DESCRIPTION	Q'TY	REMARKS
1-1	44300-46E00	COCK ASSY, FUEL	1	MODEL P/R
1-2	44300-46E11	COCK ASSY, FUEL	1	MODEL S/T/V/W
2	44305-17C00	.O RING	1	
3-1	44306-17E00	. LEVER	1	MODEL P/R
3-2	44306-17E20	. LEVER	1	MODEL S/T/V/W
4-1	02112-04123	. SCREW, LEVER	1	MODEL P/R
4-2	02112-34123	. SCREW, LOWER	1	MODEL S/T/V/W
5	08321-01043	. LOCK WASHER	1	
6-1	09128-06006	SCREW	2	MODEL P/R/S
6-2	09128-06057	SCREW	2	MODEL T/V/W
7	09168-06026	GASKET	2	
8	09352-70103-600	HOSE, NO. 1 (L:600-360)	1	
9	09352-70103-600	HOSE, NO. 2 (L:600-270)	1	
10	09440-13038	SPRING, NO. 1 (L:330)	2	
11	09440-13047	SPRING, NO. 2 (L:270)	1	MODEL R/S/T/V/W
12	09401-10403	CLIP	2	
13	09401-10201	CLIP, LH	2	
14	34810-40001	GAUGE ASSY, FUEL LEVEL	1	
15	34825-40000	. GASKET	1	

GSX-R1100NW E28

AIR CLEANER.....	C-11	COWLING BODY.....	I-04	FRAME COVER.....	H-02	FUEL TANK.....	G-09	MUFFLER.....	D-02	REAR MASTER CYLINDER	L-11	STEERING DAMPER.....	K-05
ALTERNATOR.....	E-11	CRANKCASE COVER.....	B-09	FRAME.....	G-02	GEAR SHIFTING.....	E-08	OIL COOLER.....	D-04	REAR SWINGING ARM..	L-02	STEERING STEM.....	K-04
BATTERY.....	F-02	CRANKCASE.....	B-06	FRONT BRAKE HOSE...	K-10	HANDLE LEVER.....	H-16	OIL PAN - OIL PUMP..	B-10	REAR WHEEL.....	L-06	TAIL LAMP.....	F-10
CAM CHAIN.....	C-04	CRANKSHAFT.....	B-12	FRONT CALIPERS.....	K-08	HANDLE SWITCH.....	F-13	OPTIONAL.....	L-13	SEAT.....	J-05	TRANSMISSION.....	E-06
CAM SHAFT - VALVE..	C-02	CYLINDER HEAD COVER	B-02	FRONT DAMPER.....	K-02	HANDLE BAR.....	H-14	RADIATOR HOSE.....	D-07	SIGNAL GENERATOR...	E-15	TURN SIGNAL LAMP....	F-09
CARBURETOR FITTINGS	C-09	CYLINDER HEAD.....	B-03	FRONT FENDER.....	H-13	HEADLAMP.....	F-07	RADIATOR.....	D-04	SPEEDOMETER.....	F-04	WATER PUMP.....	D-05
CARBURETOR.....	C-05	CYLINDER.....	B-05	FRONT MASTER CYLIND	K-12	INSTALLATION PARTS..	I-08	REAR CALIPER.....	L-09	STAND.....	G-04	WIRING HARNESS.....	F-11
CLUTCH MASTER CYLIN	K-14	ELECTRICAL.....	F-03	FRONT WHEEL.....	K-06	INSTALLATION PARTS..	J-02	REAR CUSHION LEVER..	L-04	STARTER CLUTCH.....	B-14		
CLUTCH.....	E-02	FOOTREST.....	G-05	FUEL COCK.....	G-14	LABEL.....	J-04	REAR FENDER.....	I-02	STARTING MOTOR.....	E-10		



AIR CLEANER.....	C-11	COUPLING BODY.....	I-04	FRAME COVER.....	H-02	FUEL TANK.....	G-09	MUFFLER.....	D-02	REAR MASTER CYLINDER	L-11	STEERING DAMPER.....	K-05
ALTERNATOR.....	E-11	CRANKCASE COVER.....	B-09	FRAME.....	G-02	GEAR SHIFTING.....	E-08	OIL COOLER.....	D-04	REAR SHINGING ARM..	L-02	STEERING STEM.....	K-04
BATTERY.....	F-02	CRANKCASE.....	B-06	FRONT BRAKE HOSE...	K-10	HANDLE LEVER.....	H-16	OIL PAN - OIL PUMP..	B-10	REAR WHEEL.....	L-06	TAIL LAMP.....	F-10
CAM CHAIN.....	C-04	CRANKSHAFT.....	B-12	FRONT CALIPERS.....	K-08	HANDLE SWITCH.....	F-13	OPTIONAL.....	L-13	SEAT.....	J-05	TRANSMISSION.....	E-06
CAM SHAFT - VALVE..	C-02	CYLINDER HEAD COVER	B-02	FRONT DAMPER.....	K-02	HANDLEBAR.....	H-14	RADIATOR HOSE.....	D-07	SIGNAL GENERATOR...	F-15	TURN SIGNAL LAMP...	F-09
CARBURETOR FITTINGS	C-09	CYLINDER HEAD.....	B-03	FRONT FENDER.....	H-13	HEADLAMP.....	F-07	RADIATOR.....	D-04	SPEEDOMETER.....	F-04	WATER PUMP.....	D-05
CARBURETOR.....	C-05	CYLINDER.....	B-05	FRONT MASTER CYLIND	K-12	INSTALLATION PARTS.	I-08	REAR CALIPER.....	L-09	STAND.....	G-04	WIRING HARNESS.....	F-11
CLUTCH MASTER CYLIN	K-14	ELECTRICAL.....	F-03	FRONT WHEEL.....	K-06	INSTALLATION PARTS.	J-02	REAR CUSHION LEVER.	L-04	STARTER CLUTCH.....	B-14		
CLUTCH.....	E-02	FOOTREST.....	G-05	FUEL COCK.....	G-14	LABEL.....	J-04	REAR FENDER.....	I-02	STARTING MOTOR.....	E-10		

FIG. 38

H 2

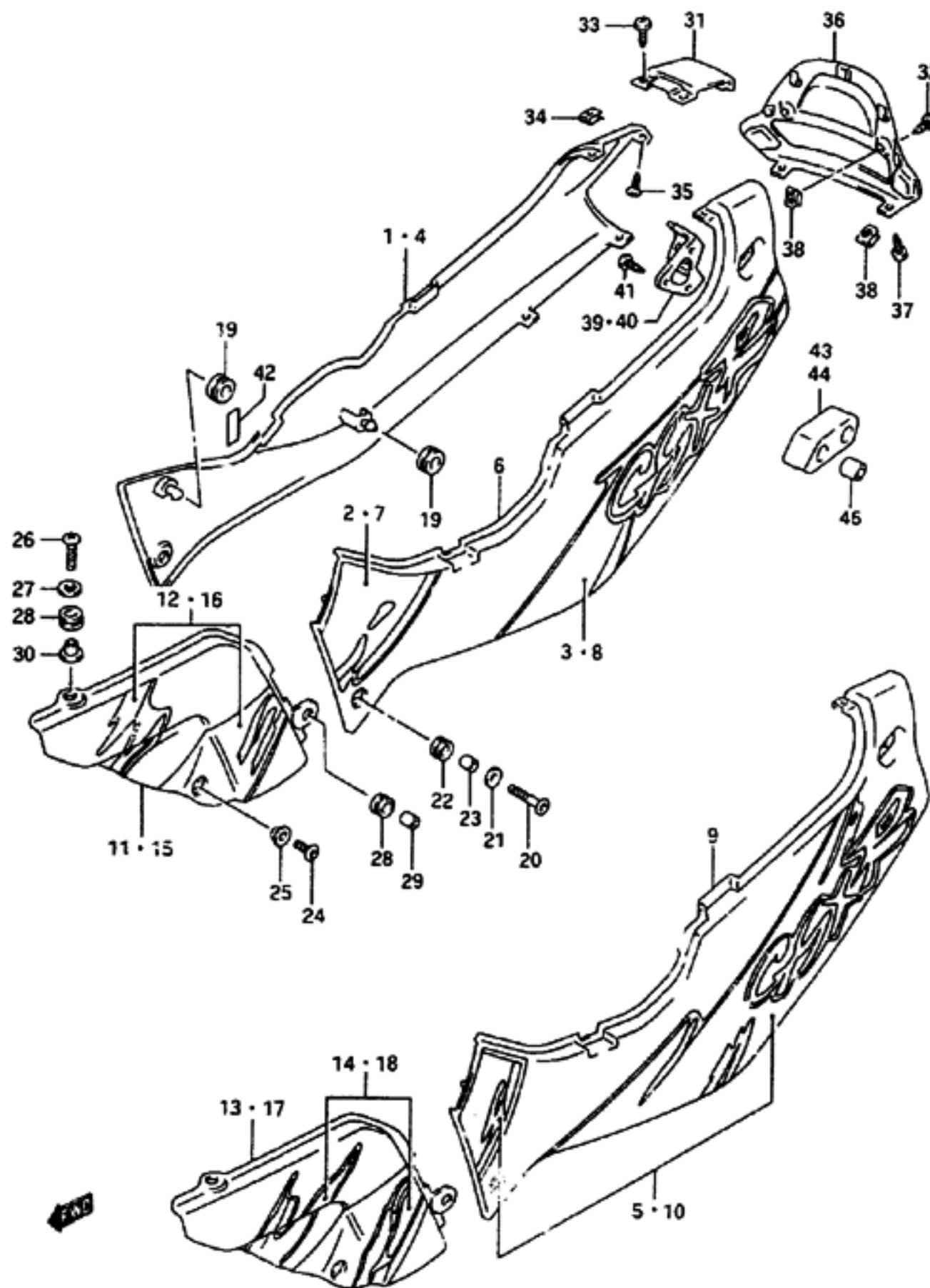


FIG. 38 (H- 2) FRAME COVER (MODEL P)

REF. NO.	PART NO.	DESCRIPTION	Q'TY	REMARKS
1	47100-48E00-0JW	COVER, FRAME RH (WHITE)	1	FOR M18
2	68135-48E01-A7K	. TAPE, UPPER RH	1	FOR 0JW
3	68136-48E00-A7J	. TAPE, LOWER RH	1	FOR 0JW
4	47100-48E10-33J	COVER, FRAME RH (BLACK)	1	FOR 17U
5	68130-48E01-1UD	. TAPE SET, RH	1	FOR 33J
6	47200-46E00-0JW	COVER, FRAME LH (WHITE)	1	FOR M18
7	68145-46E01-A7K	. TAPE, UPPER LH	1	FOR 0JW
8	68146-46E00-A7J	. TAPE, LOWER LH	1	FOR 0JW
9	47200-46E10-33J	COVER, FRAME LH (BLACK)	1	FOR 17U
10	68140-46E01-1UD	. TAPE SET, LH	1	FOR 33J
11	47500-17E30-1LX	COVER, FRAME BODY RH (WHITE)	1	FOR M18
12	68660-17E20-A7L	. TAPE SET, RH	1	FOR 1LX
13	47500-46E10-17U	COVER, FRAME BODY RH (GRAY)	1	FOR 17U
14	68660-46E00-A7E	. TAPE SET, RH	1	FOR 17U
15	47600-17E30-1LX	COVER, FRAME BODY LH (WHITE)	1	FOR M18
16	68670-17E20-A7L	. TAPE SET, LH	1	FOR 1LX
17	47600-46E10-17U	COVER, FRAME BODY LH (GRAY)	1	FOR 17U
18	68670-46E00-A7E	. TAPE SET, LH	1	FOR 17U
19	09320-08018	CUSHION, INNER	4	
20	09139-06042	SCREW, FRAME COVER FRONT	2	
21	09160-06006	WASHER	2	
22	09320-09016	CUSHION	2	
23	09180-06011	SPACER	2	
24	09139-05025	SCREW, BODY COVER SIDE	2	
25	09169-06040	WASHER	2	

COLOR : M18 = 0JW (WHITE), 1LE (BLUE)

REFER TO FIG. 38A (H- 4) FOR MODEL R
 REFER TO FIG. 38B (H- 6) FOR MODEL S
 REFER TO FIG. 38C (H- 8) FOR MODEL T
 REFER TO FIG. 38D (H-10) FOR MODEL V/W

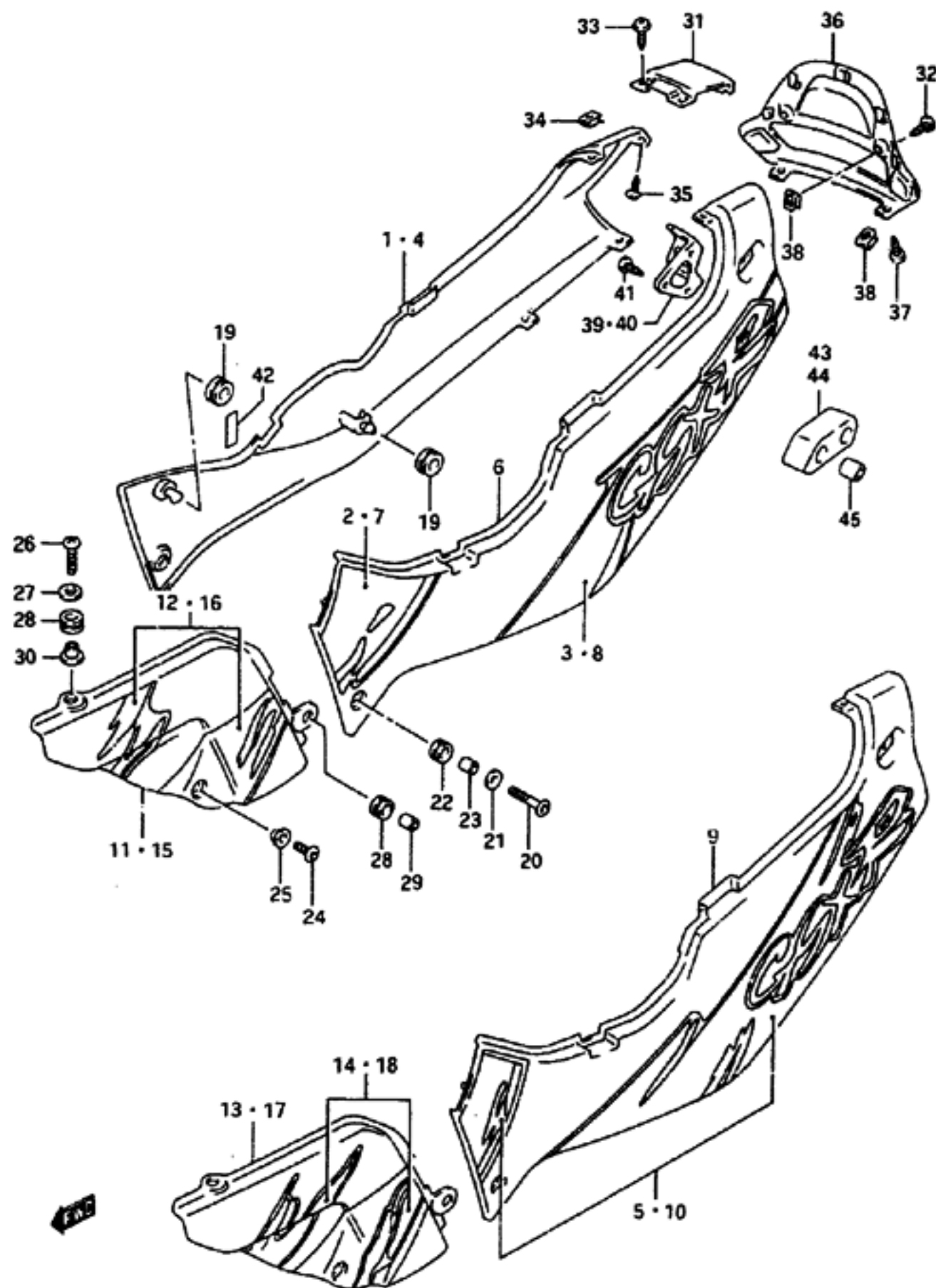
GSX-R1100NW E28

AIR CLEANER.....	C-11	COWLING BODY.....	I-04	FRAME COVER.....	H-02	FUEL TANK.....	G-09	MUFFLER.....	D-02	REAR MASTER CYLINDER	L-11	STEERING DAMPER.....	K-05
ALTERNATOR.....	E-11	CRANKCASE COVER.....	B-09	FRAME.....	G-02	GEAR SHIFTING.....	E-08	OIL COOLER.....	D-04	REAR SWINGING ARM..	L-02	STEERING STEM.....	K-04
BATTERY.....	F-02	CRANKCASE.....	B-06	FRONT BRAKE HOSE...	K-10	HANDLE LEVER.....	H-16	OIL PAN - OIL PUMP..	B-10	REAR WHEEL.....	L-06	TAIL LAMP.....	F-10
CAM CHAIN.....	C-04	CRANKSHAFT.....	B-12	FRONT CALIPERS.....	K-08	HANDLE SWITCH.....	F-13	OPTIONAL.....	L-13	SEAT.....	J-05	TRANSMISSION.....	E-04
CAM SHAFT - VALVE..	C-02	CYLINDER HEAD COVER	B-02	FRONT DAMPER.....	K-02	HANDLEBAR.....	H-14	RADIATOR HOSE.....	D-07	SIGNAL GENERATOR...	E-15	TURN SIGNAL LAMP....	F-09
CARBURETOR FITTINGS	C-09	CYLINDER HEAD.....	B-03	FRONT FENDER.....	H-13	HEADLAMP.....	F-07	RADIATOR.....	D-04	SPEEDOMETER.....	F-04	WATER PUMP.....	D-05
CARBURETOR.....	C-05	CYLINDER.....	B-05	FRONT MASTER CYLIND	K-12	INSTALLATION PARTS..	I-08	REAR CALIPER.....	L-09	STAND.....	G-04	WIRING HARNESS.....	F-11
CLUTCH MASTER CYLIN	K-14	ELECTRICAL.....	F-03	FRONT WHEEL.....	K-06	INSTALLATION PARTS..	J-02	REAR CUSHION LEVER..	L-04	STARTER CLUTCH.....	B-14		
CLUTCH.....	E-02	FOOTREST.....	G-05	FUEL COCK.....	G-14	LABEL.....	J-04	REAR FENDER.....	I-02	STARTING MOTOR.....	E-18		

FIG. 38

H 3

FIG. 38 (H- 3) FRAME COVER (MODEL P)



REF. NO.	PART NO.	DESCRIPTION	Q'TY	REMARKS
26	09125-06055	SCREW, BODY COVER UPPER	2	
27	09160-06039	WASHER	2	
28	09320-09016	CUSHION	4	
29	09180-06011	SPACER, SIDE	2	
30	09169-06062	SPACER, UPPER	2	
31-1	47300-46E00-0JW	COVER, FRAME CENTER (WHITE)	1	FOR M18
31-2	47300-46E00-33J	COVER, FRAME CENTER (BLACK)	1	FOR 17U
32	09139-05021	SCREW, CENTER	2	
33	02142-15125	SCREW, FRONT	2	
34	09148-05021	NUT, FRONT	2	
35	03541-04105	SCREW, REAR	2	
36	47411-46E00	COVER, FRAME REAR	1	
37	09139-05021	SCREW	2	
38	09148-05021	NUT, REAR COVER	4	
39	45531-46E00	BRACKET, RH	1	
40	45532-46E00	BRACKET, LH	1	
41	03541-04125	SCREW	6	
42	44885-38A00	CUSHION	2	
43	46238-46E00	CUSHION, PILLION RH	1	
44	46239-46E00	CUSHION, PILLION LH	1	
45	09180-08180	SPACER	4	

COLOR : M18 = 0JW (WHITE), 1LE (BLUE)

REFER TO FIG. 38A (H- 4) FOR MODEL R
 REFER TO FIG. 38B (H- 6) FOR MODEL S
 REFER TO FIG. 38C (H- 8) FOR MODEL T
 REFER TO FIG. 38D (H-10) FOR MODEL V/W

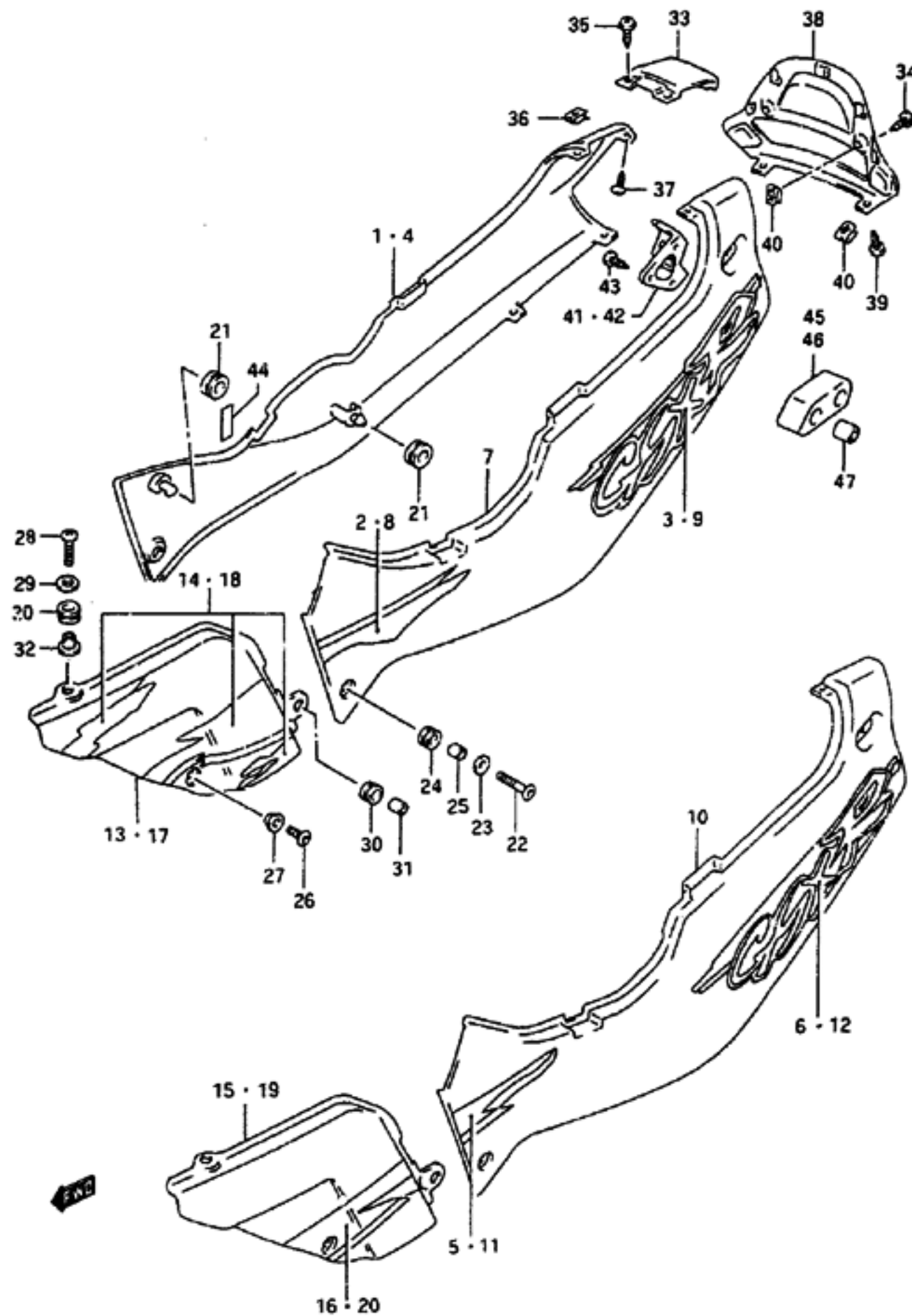
GSX-R1100NW E28

AIR CLEANER.....	C-11	COUPLING BODY.....	I-04	FRAME COVER.....	H-02	FUEL TANK.....	G-09	MUFFLER.....	D-02	REAR MASTER CYLINDER	L-11	STEERING DAMPER.....	K-05
ALTERNATOR.....	E-11	CRANKCASE COVER.....	B-09	FRAME.....	G-02	GEAR SHIFTING.....	E-08	OIL COOLER.....	D-04	REAR SWINGING ARM..	L-02	STEERING STEM.....	K-04
BATTERY.....	F-02	CRANKCASE.....	B-06	FRONT BRAKE HOSE...	K-10	HANDLE LEVER.....	H-16	OIL PAN - OIL PUMP..	B-10	REAR WHEEL.....	L-06	TAIL LAMP.....	F-10
CAM CHAIN.....	C-04	CRANKSHAFT.....	B-12	FRONT CALIPERS.....	K-08	HANDLE SWITCH.....	F-15	OPTIONAL.....	L-13	SEAT.....	J-05	TRANSMISSION.....	E-06
CAM SHAFT - VALVE..	C-02	CYLINDER HEAD COVER	B-02	FRONT DAMPER.....	K-02	HANDLEBAR.....	H-14	RADIATOR HOSE.....	D-07	SIGNAL GENERATOR...	E-15	TURN SIGNAL LAMP...	F-09
CARBURETOR FITTINGS	C-09	CYLINDER HEAD.....	B-03	FRONT FENDER.....	H-13	HEADLAMP.....	F-07	RADIATOR.....	D-06	SPEEDOMETER.....	F-04	WATER PUMP.....	D-05
CARBURETOR.....	C-05	CYLINDER.....	B-05	FRONT MASTER CYLIND	K-12	INSTALLATION PARTS..	I-08	REAR CALIPER.....	L-09	STAND.....	G-04	WIRING HARNESS.....	F-11
CLUTCH MASTER CYLIN	K-14	ELECTRICAL.....	F-03	FRONT WHEEL.....	K-06	INSTALLATION PARTS..	J-02	REAR CUSHION LEVER..	L-04	STARTER CLUTCH.....	B-14		
CLUTCH.....	E-02	FOOTREST.....	G-05	FUEL COCK.....	G-14	LABEL.....	J-04	REAR FENDER.....	I-02	STARTING MOTOR.....	E-10		

FIG. 38A

H 4

FIG. 38A(H- 4) FRAME COVER (MODEL R)



REF. NO.	PART NO.	DESCRIPTION	Q'TY	REMARKS
1	47100-46E20-0JW	COVER, FRAME RH (WHITE)	1	FOR M18
2	68135-46E10-C3T	.TAPE, RH	1	FOR 0JW
3	68131-46E00-1WJ	.EMBLEM, RH	1	FOR 0JW
4	47100-46E30-33J	COVER, FRAME RH (BLACK)	1	FOR 33J
5	68135-46E20-C3U	.TAPE, RH	1	FOR 33J
6	68131-46E10-1WK	.EMBLEM, RH	1	FOR 33J
7	47200-46E20-0JW	COVER, FRAME LH (WHITE)	1	FOR M18
8	68145-46E10-C3T	.TAPE, UPPER LH	1	FOR 0JW
9	68141-46E00-1WJ	.EMBLEM, LH	1	FOR 0JW
10	47200-46E30-33J	COVER, FRAME LH (BLACK)	1	FOR 33J
11	68145-46E20-C3U	.TAPE, RH	1	FOR 33J
12	68141-46E10-1WK	.EMBLEM, LH	1	FOR 33J
13	47500-46E20-1UX	COVER, FRAME BODY RH (WHITE)	1	FOR M18
14	68660-46E10-C3T	.TAPE SET, RH	1	FOR 1UX
15	47500-46E30-33J	COVER, FRAME BODY RH (BLACK)	1	FOR 33J
16	68665-46E00-C3U	.TAPE SET, RH	1	FOR 33J
17	47600-46E20-1UX	COVER, FRAME BODY LH (WHITE)	1	FOR M18
18	68670-46E10-C3T	.TAPE SET, LH	1	FOR 1UX
19	47600-46E30-33J	COVER, FRAME BODY LH (BLACK)	1	FOR 33J
20	68675-46E00-C3U	.TAPE SET, LH	1	FOR 33J
21	09320-08018	CUSHION, INNER	4	
22	09139-06042	SCREW, FRAME COVER FRONT	2	
23	09160-06006	WASHER	2	
24	09320-09016	CUSHION	2	
25	09180-06011	SPACER	2	
26	09139-05025	SCREW, BODY COVER SIDE	2	
27	09169-06040	WASHER	2	

COLOR : M18 = 0JW(WHITE), 1LE(BLUE)

REFER TO FIG. 38B(H- 8) FOR MODEL S
 REFER TO FIG. 38C(H- 8) FOR MODEL T
 REFER TO FIG. 38D(H-10) FOR MODEL V/W

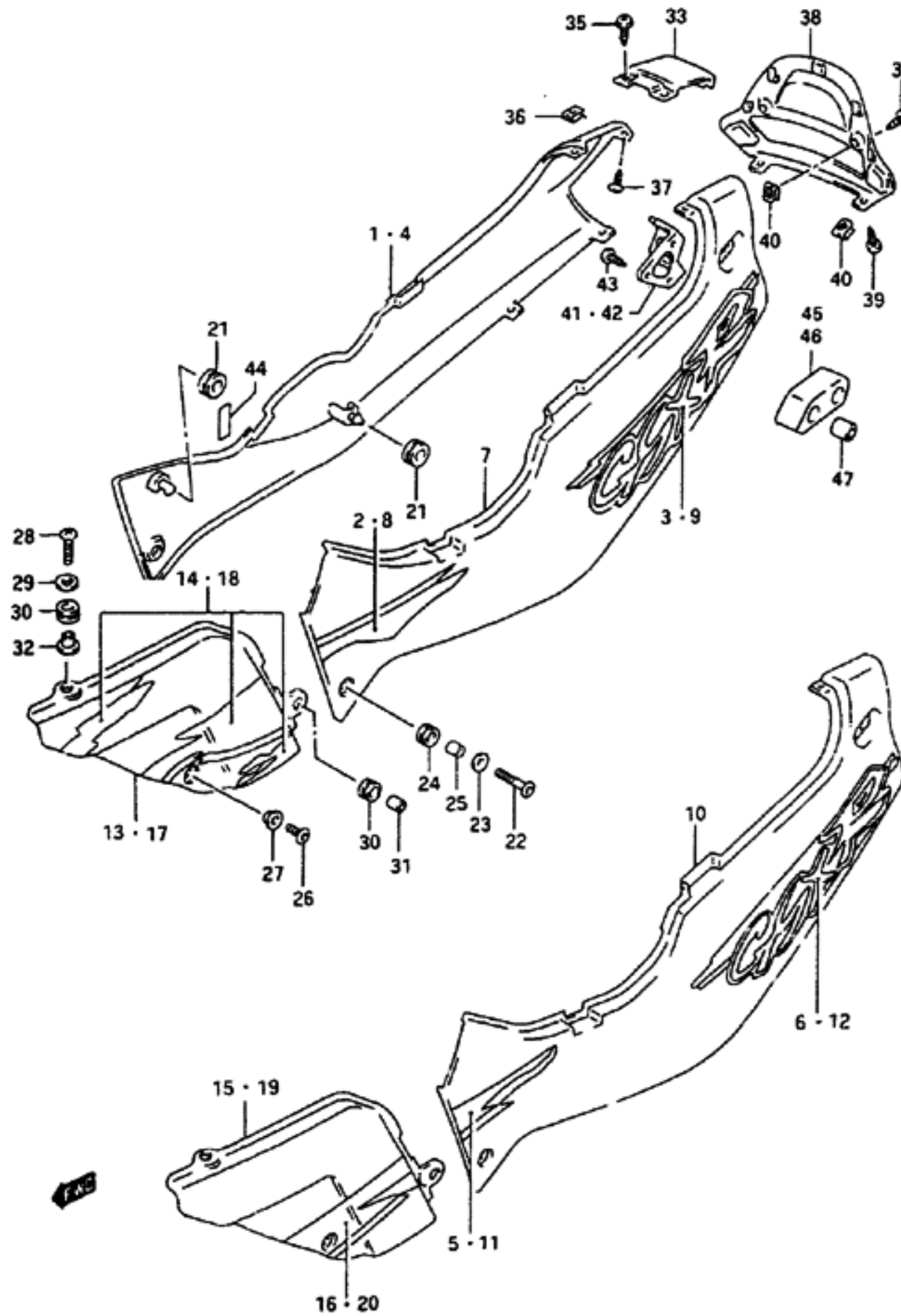
GSX-R1100NW E28

AIR CLEANER.....	C-11	COWLING BODY.....	I-05	FRAME COVER.....	H-02	FUEL TANK.....	G-09	MUFFLER.....	D-02	REAR MASTER CYLINDER	L-11	STEERING DAMPER.....	K-05
ALTERNATOR.....	E-11	CRANKCASE COVER.....	B-09	FRAME.....	G-02	GEAR SHIFTING.....	E-08	OIL COOLER.....	D-04	REAR SWINGING ARM..	L-02	STEERING STEM.....	K-04
BATTERY.....	F-02	CRANKCASE.....	B-06	FRONT BRAKE HOSE...	K-10	HANDLE LEVER.....	H-16	OIL PAN - OIL PUMP..	B-10	REAR WHEEL.....	L-06	TAIL LAMP.....	F-10
CAM CHAIN.....	C-04	CRANKSHAFT.....	B-12	FRONT CALIPERS.....	K-08	HANDLE SWITCH.....	F-13	OPTIONAL.....	L-13	SEAT.....	J-05	TRANSMISSION.....	E-06
CAM SHAFT - VALVE..	C-02	CYLINDER HEAD COVER	B-02	FRONT DAMPER.....	K-02	HANDLEBAR.....	H-14	RADIATOR HOSE.....	D-07	SIGNAL GENERATOR...	E-15	TURN SIGNAL LAMP...	F-09
CARBURETOR FITTINGS	C-09	CYLINDER HEAD.....	B-03	FRONT FENDER.....	H-13	HEADLAMP.....	F-07	RADIATOR.....	D-06	SPEEDOMETER.....	F-04	WATER PUMP.....	D-05
CARBURETOR.....	C-05	CYLINDER.....	B-05	FRONT MASTER CYLIND	K-12	INSTALLATION PARTS..	I-08	REAR CALIPER.....	L-09	STAND.....	G-04	WIRING HARNESS.....	F-11
CLUTCH MASTER CYLIN	K-14	ELECTRICAL.....	F-03	FRONT WHEEL.....	K-06	INSTALLATION PARTS..	J-02	REAR CUSHION LEVER..	L-04	STARTER CLUTCH.....	B-14		
CLUTCH.....	E-02	FOOTREST.....	G-05	FUEL COCK.....	G-14	LABEL.....	J-04	REAR FENDER.....	I-02	STARTING ROTOR.....	E-10		

FIG. 38A

H 5

FIG. 38A(H- 5) FRAME COVER (MODEL R)



REF. NO.	PART NO.	DESCRIPTION	Q'TY	REMARKS
28	02142-06253	SCREW, BODY COVER UPPER	2	
29	09160-08039	WASHER	2	
30	09320-09016	CUSHION	4	
31	09180-08011	SPACER, SIDE	2	
32	09169-06062	SPACER, UPPER	2	
33-1	47300-46E00-0JW	COVER, FRAME CENTER (WHITE)	1	FOR M18
33-2	47300-46E00-33J	COVER, FRAME CENTER (BLACK)	1	FOR 33J
34	09139-05021	SCREW, CENTER	2	
35	02142-05123	SCREW, FRONT	2	
36	09148-05021	NUT, FRONT	2	
37	03541-04103	SCREW, REAR	2	
38	47411-46E00	COVER, FRAME REAR	1	
39	09139-05021	SCREW	2	
40	09148-05021	NUT, REAR COVER	4	
41	45531-46E00	BRACKET, RH	1	
42	45532-46E00	BRACKET, LH	1	
43	03541-14123	SCREW	6	
44	44885-38A00	CUSHION	2	
45	46238-46E00	CUSHION, PILLION RH	1	
46	46239-46E00	CUSHION, PILLION LH	1	
47	09180-08180	SPACER	4	

COLOR : M18 = 0JW (WHITE), 1LE (BLUE)

REFER TO FIG. 38B (H- 8) FOR MODEL S
 REFER TO FIG. 38C (H- 8) FOR MODEL T
 REFER TO FIG. 38D (H-10) FOR MODEL V/W

GSX-R1100WN E28

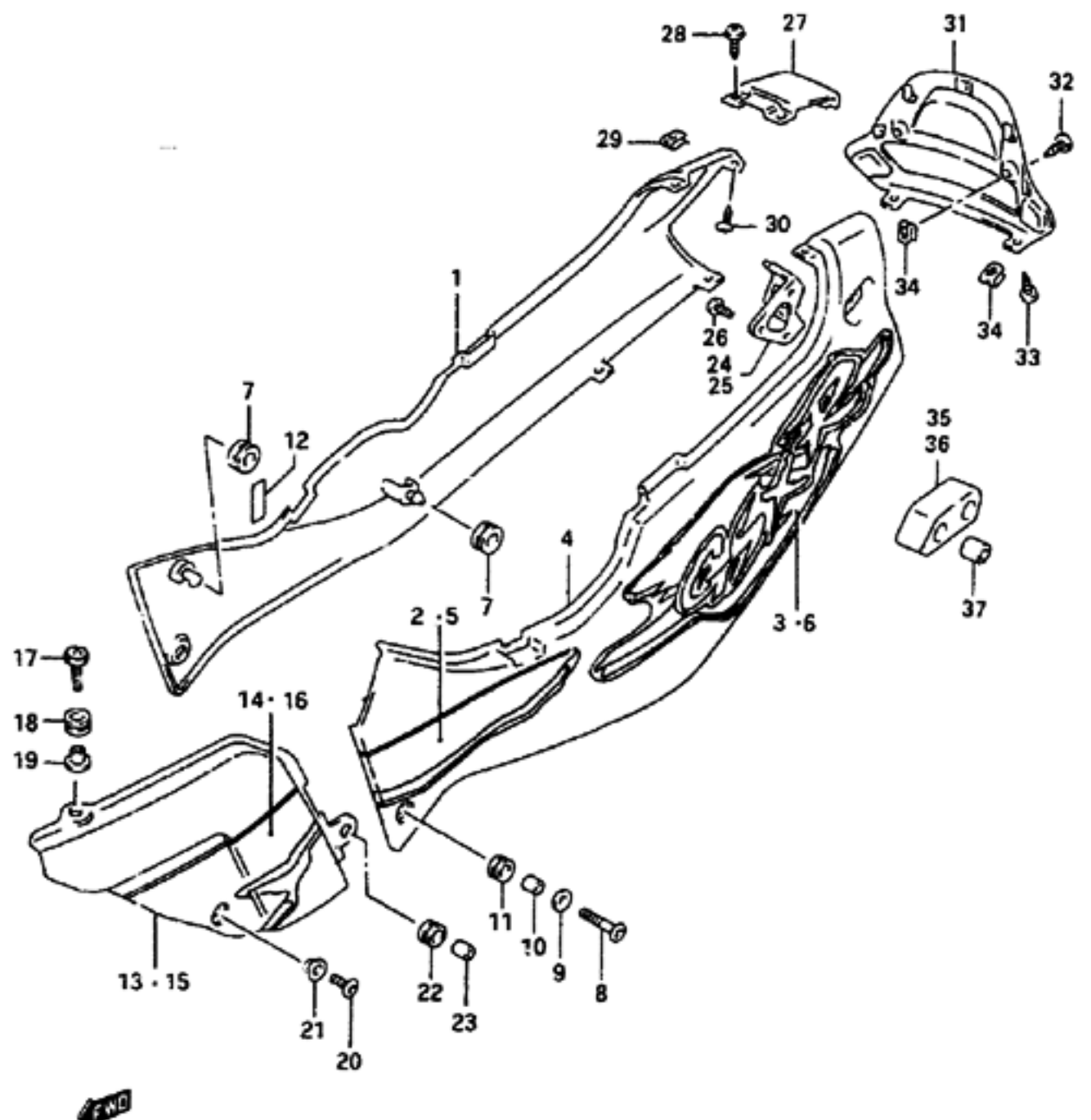
76

AIR CLEANER.....	C-11	COMING BODY.....	I-04	FRAME COVER.....	H-02	FUEL TANK.....	G-09	MUFFLER.....	D-02	REAR MASTER CYLINDER	L-11	STEERING DAMPER.....	K-05
ALTERNATOR.....	E-11	CRANKCASE COVER.....	B-09	FRAME.....	G-02	GEAR SHIFTING.....	E-08	OIL COOLER.....	D-04	REAR SWINGING ARM..	L-02	STEERING STEM.....	K-04
BATTERY.....	F-02	CRANKCASE.....	B-06	FRONT BRAKE HOSE...	K-10	HANDLE LEVER.....	H-16	OIL PAN - OIL PUMP..	B-10	REAR WHEEL.....	L-06	TAIL LAMP.....	F-10
CAM CHAIN.....	C-04	CRANKSHAFT.....	B-12	FRONT CALIPERS.....	K-08	HANDLE SWITCH.....	F-13	OPTIONAL.....	L-13	SEAT.....	J-05	TRANSMISSION.....	E-06
CAM SHAFT - VALVE..	C-02	CYLINDER HEAD COVER	B-02	FRONT DAMPER.....	K-02	HANDLEBAR.....	H-14	RADIATOR HOSE.....	D-07	SIGNAL GENERATOR...	E-15	TURN SIGNAL LAMP...	F-09
CARBURETOR FITTINGS	C-09	CYLINDER HEAD.....	B-03	FRONT FENDER.....	H-13	HEADLAMP.....	F-07	RADIATOR.....	D-06	SPEEDOMETER.....	F-04	WATER PUMP.....	D-05
CARBURETOR.....	C-05	CYLINDER.....	B-05	FRONT MASTER CYLIND	K-12	INSTALLATION PARTS..	I-08	REAR CALIPER.....	L-09	STAND.....	G-04	WIRING HARNESS.....	F-11
CLUTCH MASTER CYLIN	K-14	ELECTRICAL.....	F-03	FRONT WHEEL.....	K-06	INSTALLATION PARTS..	J-02	REAR CUSHION LEVER..	L-04	STARTER CLUTCH.....	B-14		
CLUTCH.....	E-02	FOOTREST.....	G-05	FUEL COCK.....	G-14	LABEL.....	J-04	REAR FENDER.....	I-02	STARTING MOTOR.....	E-10		

FIG. 38 B

H 6

FIG. 38B (H- 6) FRAME COVER (MODEL S)



REF. NO.	PART NO.	DESCRIPTION	Q'TY	REMARKS
1-1	47100-46E40-0JW	COVER, FRAME RH (WHITE)	1	FOR M18
1-2	47100-46E40-2VX	COVER, FRAME RH (BLACK)	1	FOR A6G
1-3	47100-46E40-33J	COVER, FRAME RH (BLACK)	1	FOR C3R
2-1	68135-46E30-D4H	.TAPE, FRONT RH	1	FOR 0JW
2-2	68135-46E30-D6A	.TAPE, FRONT RH	1	FOR 2VX
2-3	68135-46E30-D6B	.TAPE, FRONT RH	1	FOR 33J
3-1	68131-46E20-Y72	.EMBLEM, RH	1	FOR 0JW
3-2	68131-46E20-Y82	.EMBLEM, RH	1	FOR 2VX
3-3	68131-46E20-Y83	.EMBLEM, RH	1	FOR 33J
4-1	47200-46E40-0JW	COVER, FRAME LH (WHITE)	1	FOR M18
4-2	47200-46E40-2VX	COVER, FRAME LH (BLACK)	1	FOR A6G
4-3	47200-46E40-33J	COVER, FRAME LH (BLACK)	1	FOR C3R
5-1	68145-46E30-D4H	.TAPE, FRONT LH	1	FOR 0JW
5-2	68145-46E30-D6A	.TAPE, FRONT LH	1	FOR 2VX
5-3	68145-46E30-D6B	.TAPE, FRONT LH	1	FOR 33J
6-1	68141-46E20-Y72	.EMBLEM, LH	1	FOR 0JW
6-2	68141-46E20-Y82	.EMBLEM, LH	1	FOR 2VX
6-3	68141-46E20-Y83	.EMBLEM, LH	1	FOR 33J
7	09320-08018	CUSHION, INNER	4	
8	09139-06042	SCREW, FRONT	2	
9	09160-06006	WASHER	2	
10	09180-08011	SPACER	2	
11	09320-09016	CUSHION	2	
12	44885-38A00	PROTECTOR	2	
13-1	47500-46E40-0JW	COVER, FRAME BODY RH (WHITE)	1	FOR M18
13-2	47500-46E40-2VX	COVER, FRAME BODY RH (BLACK)	1	FOR A6G
13-3	47500-46E40-33J	COVER, FRAME BODY RH (BLACK)	1	FOR C3R
14-1	68665-46E10-D4H	.TAPE, RH	1	FOR 0JW
14-2	68665-46E10-D6A	.TAPE, RH	1	FOR 2VX
14-3	68665-46E10-D6B	.TAPE, RH	1	FOR 33J

COLOR : M18 = 0JW (WHITE), 1LE (BLUE)
 COLOR : A6G = 33J (BLACK), 1TY (RED)
 COLOR : C3R = 33J (BLACK), 1TU (PURPLE)

REFER TO FIG. 38C (H- 8) FOR MODEL T
 REFER TO FIG. 38D (H-10) FOR MODEL V/W

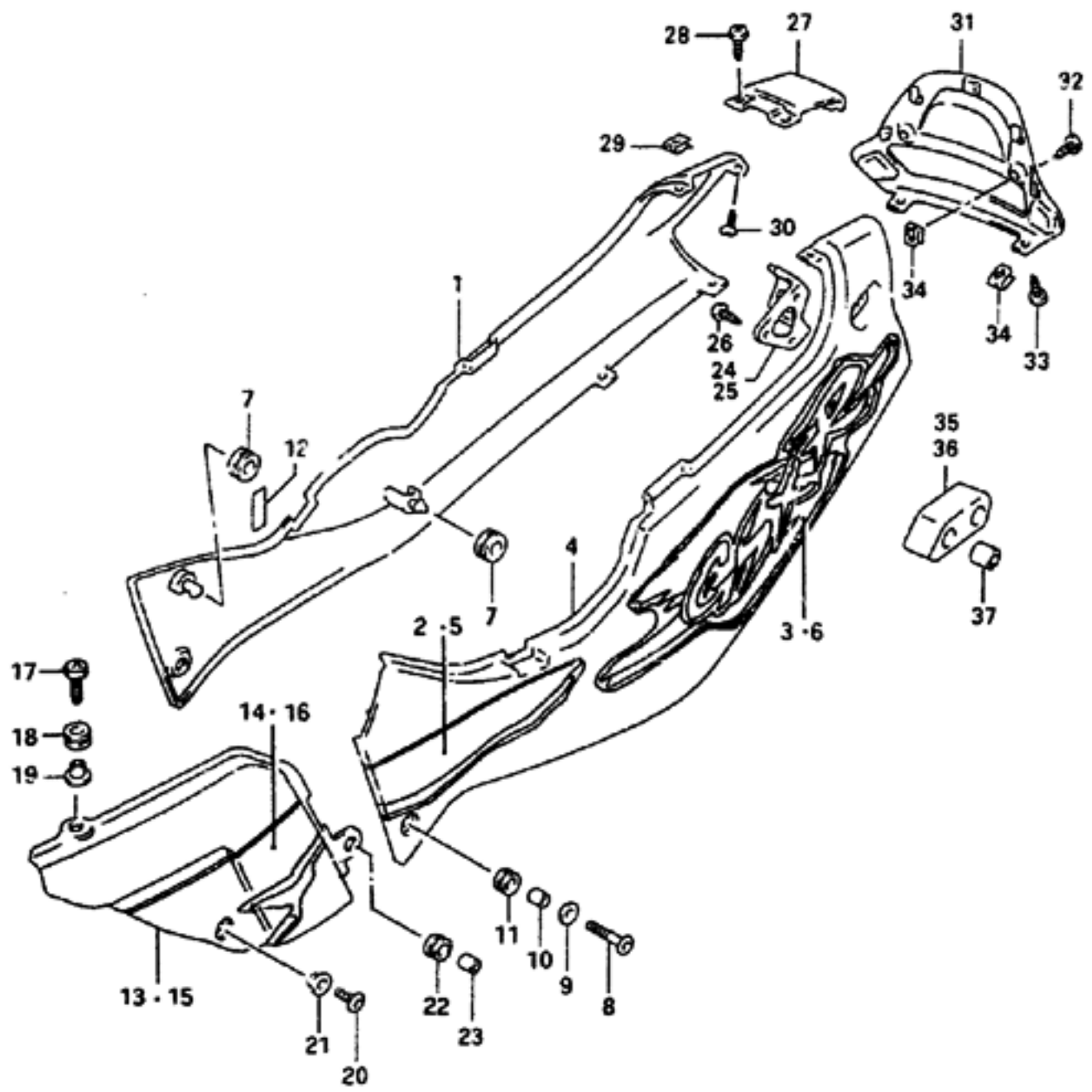
GSX-R1100W E28

AIR CLEANER.....	C-11	CONVING BODY.....	I-04	FRAME COVER.....	H-02	FUEL TANK.....	G-09	MUFFLER.....	D-02	REAR MASTER CYLINDER	L-11	STEERING DAMPER.....	K-05
ALTERNATOR.....	E-11	CRANKCASE COVER.....	B-09	FRAME.....	G-02	GEAR SHIFTING.....	E-08	OIL COOLER.....	D-04	REAR SWINGING ARM..	L-02	STEERING STEM.....	K-04
BATTERY.....	F-02	CRANKCASE.....	B-06	FRONT BRAKE HOSE...	K-10	HANDLE LEVER.....	H-16	OIL PAN - OIL PUMP..	B-10	REAR WHEEL.....	L-06	TAIL LAMP.....	F-10
CAM CHAIN.....	C-04	CRANKSHAFT.....	B-12	FRONT CALIPERS.....	K-08	HANDLE SWITCH.....	F-13	OPTIONAL.....	L-13	SEAT.....	J-05	TRANSMISSION.....	E-06
CAM SHAFT - VALVE..	C-02	CYLINDER HEAD COVER	B-02	FRONT DAMPER.....	K-02	HANDLEBAR.....	H-14	RADIATOR HOSE.....	D-07	SIGNAL GENERATOR...	E-15	TURNSIGNAL LAMP....	F-09
CARBURETOR FITTINGS	C-09	CYLINDER HEAD.....	B-03	FRONT FENDER.....	H-13	HEADLAMP.....	F-07	RADIATOR.....	D-06	SPEEDOMETER.....	F-04	WATER PUMP.....	D-05
CARBURETOR.....	C-05	CYLINDER.....	B-05	FRONT MASTER CYLIND	K-12	INSTALLATION PARTS..	I-08	REAR CALIPER.....	L-09	STAND.....	G-04	WIRING HARNESS.....	F-11
CLUTCH MASTER CYLIN	K-14	ELECTRICAL.....	F-03	FRONT WHEEL.....	K-06	INSTALLATION PARTS..	J-02	REAR CUSHION LEVER..	L-04	STARTER CLUTCH.....	B-14		
CLUTCH.....	E-02	FOOTREST.....	G-05	FUEL COCK.....	G-14	LABEL.....	J-04	REAR FENDER.....	I-02	STARTING MOTOR.....	E-10		

FIG. 38 B

H 7

FIG. 38B (H- 7) FRAME COVER (MODEL S)



REF. NO.	PART NO.	DESCRIPTION	Q'TY	REMARKS
15-1	47600-46E40-0JW	COVER, FRAME BODY LH (WHITE)	1	FOR M18
15-2	47600-46E40-2VX	COVER, FRAME BODY LH (BLACK)	1	FOR A6G
15-3	47600-46E40-33J	COVER, FRAME BODY LH (BLACK)	1	FOR 33J
16-1	68675-46E10-D4H	. TAPE, LH	1	FOR 0JW
16-2	68675-46E10-D6A	. TAPE, LH	1	FOR 2VX
16-3	68675-46E10-D6B	. TAPE, LH	1	FOR 33J
17	09136-06113	SCREW, UPPER	2	
18	09320-09016	CUSHION	2	
19	09169-06062	WASHER	2	
20	09139-05025	SCREW, FRONT	2	
21	09169-06040	WASHER	2	
22	09320-09016	CUSHION	2	
23	09180-06011	SPACER	2	
24	45531-46E00	BRACKET, REAR RH	1	
25	45532-46E00	BRACKET, REAR LH	1	
26	03541-04103	SCREW	6	
27-1	47300-46E00-0JW	COVER, FRAME CENTER (WHITE)	1	FOR M18
27-2	47300-46E00-33J	COVER, FRAME CENTER (BLACK)	1	FOR A6G, C3R
28	02142-05123	SCREW	2	
29	09148-05021	NUT	2	
30	03541-04103	SCREW, INNER	2	
31	47411-46E00	COVER, FRAME REAR	1	
32	09139-05021	SCREW, REAR	2	
33	02142-05123	SCREW, UNDER	2	
34	09148-05021	NUT	2	
35	46238-46E00	CUSHION, PILLION RH	1	
36	46239-46E00	CUSHION, PILLION LH	1	
37	09180-08180	SPACER	4	

COLOR M18 = 0JW (WHITE), 1LE (BLUE)
 COLOR : A6G = 33J (BLACK), 1TY (RED)
 COLOR : C3R = 33J (BLACK), 1TU (PURPLE)

REFER TO FIG. 38C (H- 8) FOR MODEL T
 REFER TO FIG. 38D (H-10) FOR MODEL V

GSX-R1100MW E28

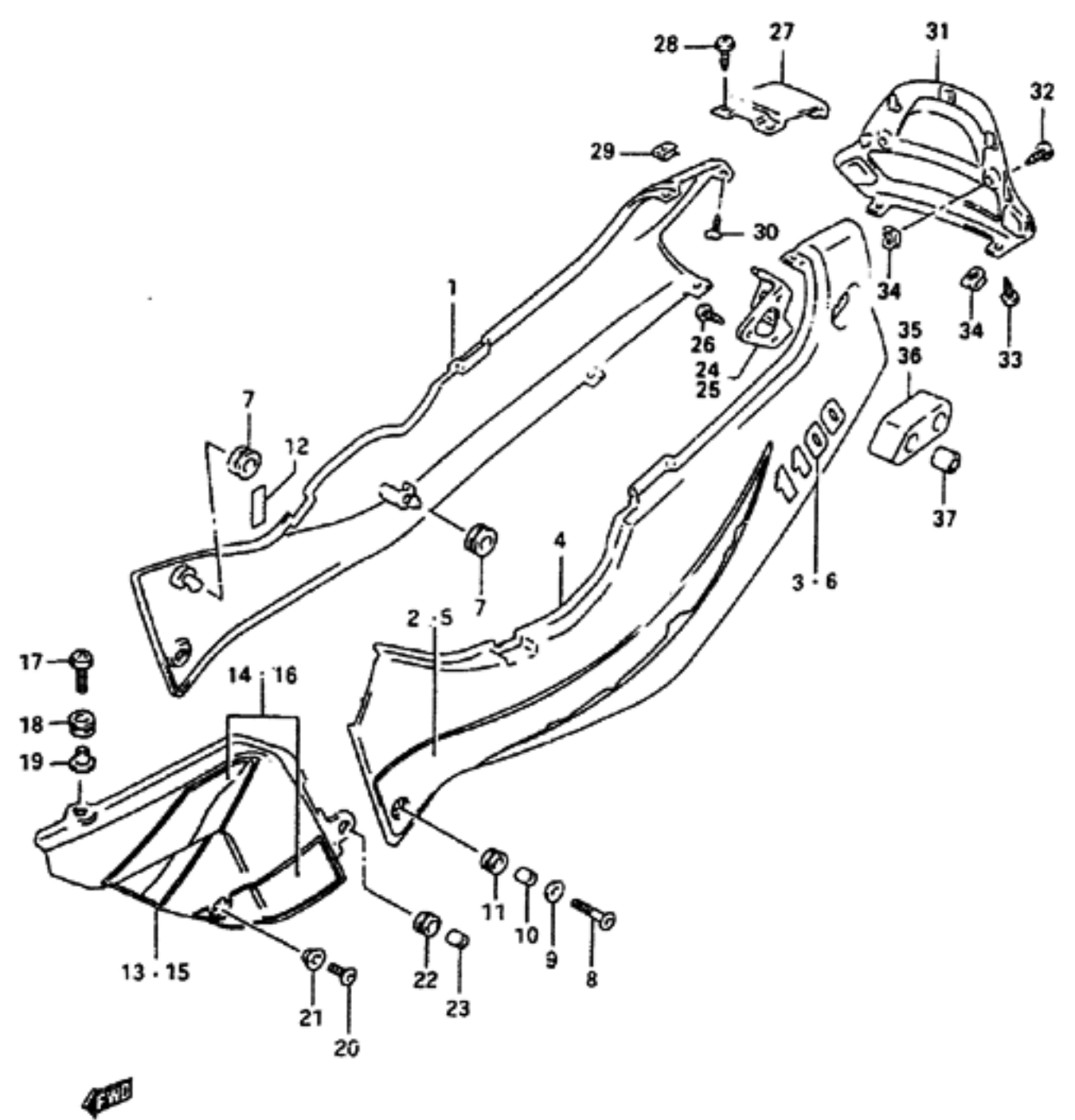
78

AIR CLEANER.....	C-11	COWLING BODY.....	I-04	FRAME COVER.....	H-02	FUEL TANK.....	G-09	MUFFLER.....	D-02	REAR MASTER CYLINDER	L-11	STEERING DAMPER.....	K-05
ALTERNATOR.....	E-11	CRANKCASE COVER.....	B-09	FRAME.....	G-02	GEAR SHIFTING.....	E-08	OIL COOLER.....	D-04	REAR SWINGING ARM..	L-02	STEERING STEN.....	K-04
BATTERY.....	F-02	CRANKCASE.....	B-06	FRONT BRAKE HOSE...	K-10	HANDLE LEVER.....	H-16	DIL PAN - OIL PUMP..	B-10	REAR WHEEL.....	L-06	TAIL LAMP.....	F-10
CAM CHAIN.....	C-04	CRANKSHAFT.....	B-12	FRONT CALIPERS.....	K-08	HANDLE SWITCH.....	F-13	OPTIONAL.....	L-13	SEAT.....	J-05	TRANSMISSION.....	E-06
CAM SHAFT - VALVE..	C-02	CYLINDER HEAD COVER	B-02	FRONT DAMPER.....	K-02	HANDLEBAR.....	H-14	RADIATOR HOSE.....	D-07	SIGNAL GENERATOR...	E-15	TURN SIGNAL LAMP....	F-09
CARBURETOR FITTINGS	C-09	CYLINDER HEAD.....	B-03	FRONT FENDER.....	H-13	HEADLAMP.....	F-07	RADIATOR.....	D-04	SPEEDOMETER.....	F-04	WATER PUMP.....	D-05
CARBURETOR.....	C-05	CYLINDER.....	B-05	FRONT MASTER CYLIND	K-12	INSTALLATION PARTS..	I-08	REAR CALIPER.....	L-09	STAND.....	G-04	WIRING HARNESS.....	F-11
CLUTCH MASTER CYLIN	K-14	ELECTRICAL.....	F-03	FRONT WHEEL.....	K-04	INSTALLATION PARYS..	J-02	REAR CUSHION LEVER..	L-04	STARTER CLUTCH.....	B-14		
CLUTCH.....	E-02	FOOTREST.....	G-05	FUEL COCK.....	G-14	LABEL.....	J-04	REAR FENDER.....	I-02	STARTING MOTOR.....	E-10		

FIG. 38C

H 8

FIG. 38C (H- 8) FRAME COVER (MODEL T)



REF. NO.	PART NO.	DESCRIPTION	Q'TY	REMARKS
1-1	47100-46E60-0JW	COVER, FRAME RH (WHITE)	1	FOR E9P
1-2	47100-46E60-17U	COVER, FRAME RH (GRAY)	1	FOR C3B
2-1	68135-46E40-E9P	.TAPE, FRONT RH	1	FOR 0JW
2-2	68135-46E40-C3B	.TAPE, FRONT RH	1	FOR 17U
3-1	68131-46E30-275	.EMBLEM, RH	1	FOR 0JW
3-2	68131-46E30-276	.EMBLEM, RH	1	FOR 17U
4-1	47200-46E60-0JW	COVER, FRAME LH (WHITE)	1	FOR E9P
4-2	47200-46E60-17U	COVER, FRAME LH (GRAY)	1	FOR C3B
5-1	68145-46E40-E9P	.TAPE, FRONT LH	1	FOR 0JW
5-2	68145-46E40-C3B	.TAPE, FRONT LH	1	FOR 17U
6-1	68141-46E30-275	.EMBLEM, LH	1	FOR 0JW
6-2	68141-46E30-276	.EMBLEM, LH	1	FOR 17U
7	09320-08018	CUSHION, INNER	4	
8	09139-06042	SCREW, FRONT	2	
9	09160-06006	WASHER	2	
10	09180-06011	SPACER	2	
11	09320-09016	CUSHION	2	
12	44885-38A00	PROTECTOR	2	
13-1	47500-46E60-0JW	COVER, FRAME BODY RH (WHITE)	1	FOR E9P
13-2	47500-46E60-17U	COVER, FRAME BODY RH (GRAY)	1	FOR C3B
14-1	68660-46E20-E9P	.TAPE, RH	1	FOR 0JW
14-2	68660-46E20-C3B	.TAPE, RH	1	FOR 17U
15-1	47600-46E60-0JW	COVER, FRAME BODY LH (WHITE)	1	FOR E9P
15-2	47600-46E60-17U	COVER, FRAME BODY LH (GRAY)	1	FOR C3B
16-1	68670-46E20-E9P	.TAPE, LH	1	FOR 0JW
16-2	68670-46E20-C3B	.TAPE, LH	1	FOR 17U
17	09136-06113	SCREW, UPPER	2	
18	09320-09016	CUSHION	2	
19	09169-06062	WASHER	2	

COLOR : E9P = 0JW (WHITE), Z12 (BLUE)
 COLOR : C3B = 17U (GRAY), 1TY (PURPLE)

REFER TO F (G. 38D (H-10)) FOR MODEL V/W

GSX-R1100NW E28

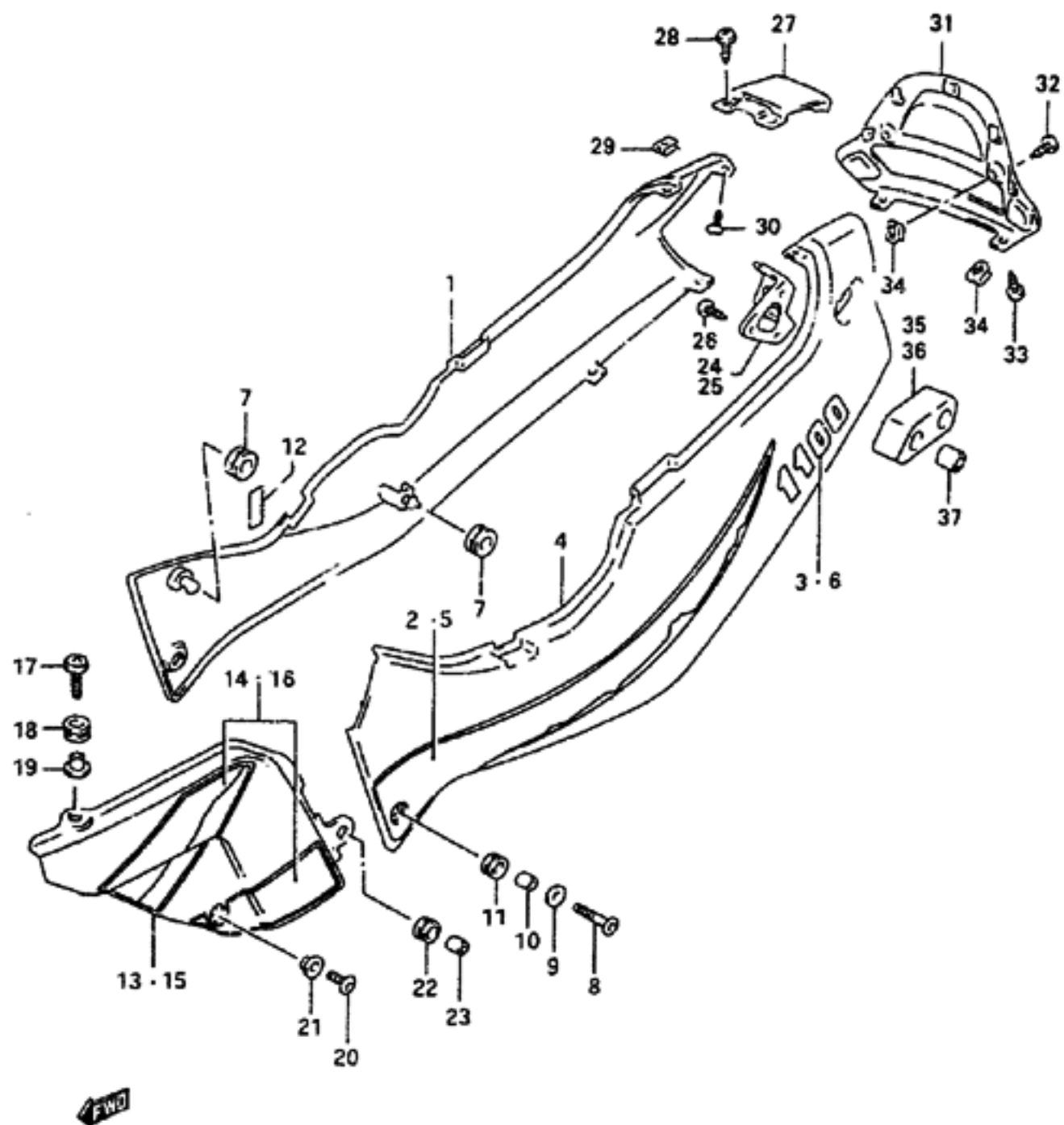
79

AIR CLEANER.....	C-11	COMLING BODY.....	I-04	FRAME COVER.....	H-02	FUEL TANK.....	G-09	MUFFLER.....	D-02	REAR MASTER CYLINDE	L-11	STEERING DAMPER....	K-05
ALTERNATOR.....	E-11	CRANKCASE COVER....	B-09	FRAME.....	G-02	GEAR SHIFTING.....	E-08	OIL COOLER.....	D-04	REAR SWINGING ARM..	L-02	STEERING STEM.....	K-04
BATTERY.....	F-02	CRANKCASE.....	B-06	FRONT BRAKE HOSE...	K-10	HANDLE LEVER.....	H-16	OIL PAN - OIL PUMP.	B-10	REAR WHEEL.....	L-06	TAIL LAMP.....	F-10
CAN CHAIN.....	C-04	CRANKSHAFT.....	B-12	FRONT CALIPERS.....	K-08	HANDLE SWITCH.....	F-13	OPTIONAL.....	L-13	SEAT.....	J-05	TRANSMISSION.....	E-06
CAN SHAFT - VALVE..	C-02	CYLINDER HEAD COVER	B-02	FRONT DAMPER.....	K-02	HANDLEBAR.....	H-14	RADIATOR HOSE.....	D-07	SIGNAL GENERATOR...	E-15	TURN SIGNAL LAMP....	F-09
CARBURETOR FITTINGS	C-09	CYLINDER HEAD.....	B-03	FRONT FENDER.....	H-13	HEADLAMP.....	F-07	RADIATOR.....	D-06	SPEEDOMETER.....	F-04	WATER PUMP.....	D-05
CARBURETOR.....	C-05	CYLINDER.....	B-05	FRONT MASTER CYLIND	K-12	INSTALLATION PARTS.	I-08	REAR CALIPER.....	L-09	STAND.....	G-04	WIRING HARNESS.....	F-11
CLUTCH MASTER CYLIN	K-14	ELECTRICAL.....	F-03	FRONT WHEEL.....	K-06	INSTALLATION PARTS.	J-02	REAR CUSHION LEVER.	L-04	STARTER CLUTCH.....	B-14		
CLUTCH.....	E-02	FOOTREST.....	G-05	FUEL COCK.....	G-14	LABEL.....	I-04	REAR FENDER.....	I-02	STARTING NOTOR.....	E-10		

FIG. 38C

H 9

FIG. 38C(H- 9) FRAME COVER (MODEL T)



REF. NO.	PART NO.	DESCRIPTION	Q'TY	REMARKS
20	09139-05025	SCREW, FRONT	2	
21	09189-06040	WASHER	2	
22	09320-09016	CUSHION	2	
23	09180-06011	SPACER	2	
24	45531-46E00	BRACKET, REAR RH	1	
25	45532-46E00	BRACKET, REAR LH	1	
26	03541-04103	SCREW	6	
27-1	47300-46E00-0JW	COVER, FRAME CENTER (WHITE)	1	FOR E9P
27-2	47300-46E00-17U	COVER, FRAME CENTER (BLACK)	1	FOR C3B
28	02142-05123	SCREW	2	
29	09148-05021	NUT	2	
30	03541-04103	SCREW, INNER	2	
31	47411-46E00	COVER, FRAME REAR	1	
32	09139-05021	SCREW, REAR	2	
33	02142-05123	SCREW, UNDER	2	
34	09148-05021	NUT	2	
35	46238-46E00	CUSHION, PILLION RH	1	
36	46239-46E00	CUSHION, PILLION LH	1	
37	09180-08180	SPACER	4	

COLOR : E9P = 0JW (WHITE), Z12 (BLUE)
 COLOR : C3B = 17U (GRAY), 17U (PURPLE)

REFER TO FIG. 38D(H-10) FOR MODEL V/W

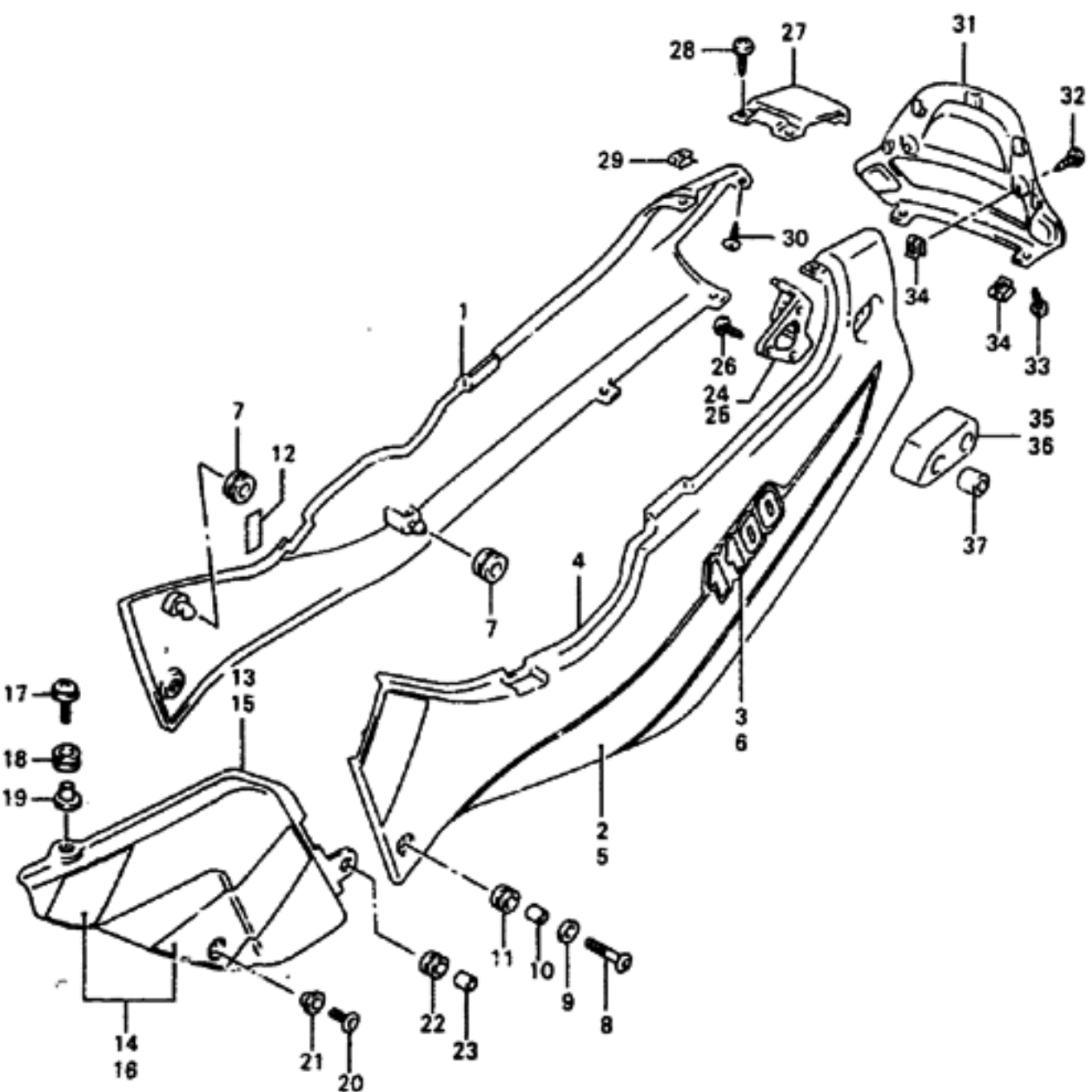
GSX-R1100WV E28
 80

AIR CLEANER..... C-11	COWLING BODY..... I-04	FRAME COVER..... H-02	FUEL TANK..... G-09	MUFFLER..... D-02	REAR MASTER CYLINDER L-11	STEERING DAMPER..... K-05
ALTERNATOR..... E-11	CRANKCASE COVER..... B-09	FRAME..... G-02	GEAR SHIFTING..... E-08	OIL COOLER..... D-04	REAR SWINGING ARM.. L-02	STEERING STEN..... K-04
BATTERY..... F-02	CRANKCASE..... B-06	FRONT BRAKE HOSE... K-10	HANDLE LEVER..... H-16	OIL PAN - OIL PUMP. B-10	REAR WHEEL..... L-04	TAIL LAMP..... F-10
CAM CHAIN..... C-04	CRANKSHAFT..... B-12	FRONT CALIPERS..... K-08	HANDLE SWITCH..... F-13	OPTIONAL..... L-13	SEAT..... J-05	TRANSMISSION..... E-06
CAM SHAFT - VALVE.. C-02	CYLINDER HEAD COVER B-02	FRONT DAMPER..... K-02	HANDLEBAR..... H-14	RADIATOR HOSE..... D-07	SIGNAL GENERATOR... E-15	URNSIGNAL LAMP.... F-09
CARBURETOR FITTINGS C-09	CYLINDER HEAD..... B-03	FRONT FENDER..... H-13	HEADLAMP..... F-07	RADIATOR..... D-04	SPEEDOMETER..... F-04	WATER PUMP..... D-05
CARBURETOR..... C-05	CYLINDER..... B-05	FRONT MASTER CYLIND K-12	INSTALLATION PARTS. I-08	REAR CALIPER..... L-09	STAND..... G-04	WIRING HARNESS..... F-11
CLUTCH MASTER CYLIN K-14	ELECTRICAL..... F-03	FRONT WHEEL..... K-06	INSTALLATION PARTS. J-02	REAR CUSHION LEVER. L-04	STARTER CLUTCH..... B-14	
CLUTCH..... E-02	FOOTREST..... G-05	FUEL COCK..... G-14	LABEL..... J-04	REAR FENDER..... I-02	STARTING MOTOR..... E-10	

FIG.38D

H 10

FIG.38D(H-10) FRAME COVER (MODEL V/W)



REF. NO.	PART NO.	DESCRIPTION	Q'TY	REMARKS
1-1	47100-46E70-0JW	COVER, FRAME RH (WHITE)	1	MODEL V FOR G4V
1-2	47100-46E70-33J	COVER, FRAME RH (BLACK)	1	MODEL V FOR G2P
1-3	47100-46E70-1LX	COVER, FRAME RH (WHITE)	1	MODEL W FOR K1V
1-4	47100-46E70-35W	COVER, FRAME RH (GRAY)	1	MODEL W FOR G2E
2-1	68130-46E10-G6N	. TAPE, FRONT RH	1	MODEL V FOR 0JW
2-2	68130-46E10-G6P	. TAPE, FRONT RH	1	MODEL V FOR 33J
2-3	68130-46E10-K2W	. TAPE, FRONT RH	1	MODEL W FOR 1LX
2-4	68130-46E10-K2N	. TAPE, FRONT RH	1	MODEL W FOR 35W
3-1	68131-46E41-G6R	. EMBLEM, RH	1	MODEL V FOR 0JW
3-2	68131-46E41-G6S	. EMBLEM, RH	1	MODEL V FOR 33J
3-3	68131-46E41-K2H	. EMBLEM, RH	1	MODEL W FOR 1LX
3-4	68131-46E41-K2J	. EMBLEM, RH	1	MODEL W FOR 35W
4-1	47200-46E70-0JW	COVER, FRAME LH (WHITE)	1	MODEL V FOR G4V
4-2	47200-46E70-33J	COVER, FRAME LH (BLACK)	1	MODEL V FOR G2P
4-3	47200-46E70-1LX	COVER, FRAME LH (WHITE)	1	MODEL W FOR K1V
4-4	47200-46E70-35W	COVER, FRAME LH (GRAY)	1	MODEL W FOR G2E
5-1	68140-46E10-G6N	. TAPE, FRON. LH	1	MODEL V FOR 0JW
5-2	68140-46E10-G6P	. TAPE, FRONT LH	1	MODEL V FOR 33J
5-3	68140-46E10-K2M	. TAPE, FRONT LH	1	MODEL W FOR 1LX
5-4	68140-46E10-K2N	. TAPE, FRONT LH	1	MODEL W FOR 35W
6-1	68141-46E41-G6R	. EMBLEM, LH	1	MODEL V FOR 0JW
6-2	68141-46E41-G6S	. EMBLEM, LH	1	MODEL V FOR 33J
6-3	68141-46E41-K2H	. EMBLEM, LH	1	MODEL W FOR 1LX
6-4	68141-46E41-K2J	. EMBLEM, LH	1	MODEL W FOR 35W
7	09320-08018	CUSHION, INNER	4	
8	09139-06042	SCREW, FRONT	2	
9-1	09160-06006	WASHER	2	MODEL V
9-2	09160-06132	WASHER	2	MODEL W
10	09180-06263	SPACER	2	
11	09320-09016	CUSHION	2	
12	44885-38A00	PROTECTOR	2	

COLOR : G4V = 0JW (WHITE), YOP (BLUE)
 : G2P = 33J (BLACK), 22U (MAROON)
 : K1V = 0JW (WHITE), YON (BLUE)
 : G2E = 33J (BLACK), 35W (GRAY)

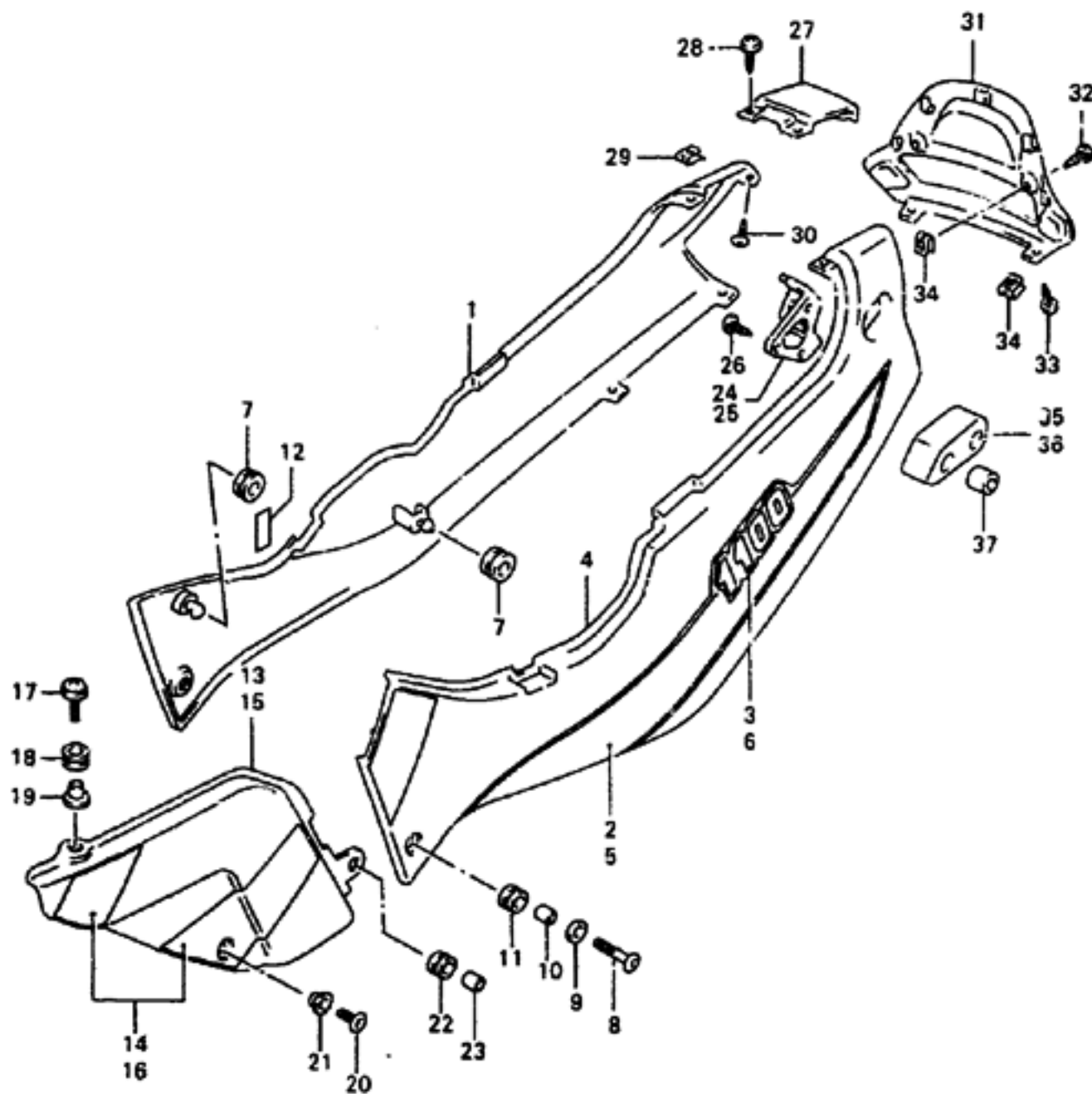
GSX-R1100WV E28
 81

AIR CLEANER.....	C-11	COMING BODY.....	I-04	FRAME COVER.....	H-02	FUEL TANK.....	G-09	MUFFLER.....	D-02	REAR MASTER CYLINDER	L-11	STEERING DAMPER.....	K-05
ALTERNATOR.....	E-11	CRANKCASE COVER.....	B-09	FRAME.....	G-02	GEAR SHIFTING.....	E-08	OIL COOLER.....	D-04	REAR SWINGING ARM..	L-02	STEERING STEM.....	K-04
BATTERY.....	F-02	CRANKCASE.....	B-06	FRONT BRAKE HOSE...	K-10	HANDLE LETTER.....	H-14	OIL PAN - OIL PUMP..	B-10	REAR WHEEL.....	L-04	TAIL LAMP.....	F-10
CAM CHAIN.....	C-04	CRANKSHAFT.....	B-12	FRONT CALIPERS.....	K-08	HANDLE SWITCH.....	F-13	OPTIONAL.....	L-13	SEAT.....	J-05	TRANSMISSION.....	E-06
CAM SHAFT - VALVE..	C-02	CYLINDER HEAD COVER	B-02	FRONT DAMPER.....	K-02	HANDLEBAR.....	H-14	RADIATOR HOSE.....	D-07	SIGNAL GENERATOR...	E-15	TURN SIGNAL LAMP...	F-09
CARBURETOR FITTINGS	C-09	CYLINDER HEAD.....	B-03	FRONT FENDER.....	H-13	HEADLAMP.....	F-07	RADIATOR.....	D-04	SPEEDOMETER.....	F-04	WATER PUMP.....	D-05
CARBURETOR.....	C-05	CYLINDER.....	B-05	FRONT MASTER CYLIND	K-12	INSTALLATION PARTS..	I-08	REAR CALIPER.....	L-09	STAND.....	G-04	WIRING HARNESS.....	F-11
CLUTCH MASTER CYLIN	K-14	ELECTRICAL.....	F-03	FRONT WHEEL.....	K-04	INSTALLATION PARTS..	J-02	REAR CUSHION LEVER..	L-04	STARTER CLUTCH.....	B-14		
CLUTCH.....	E-02	FOOTREST.....	G-05	FUEL COCK.....	G-14	LABEL.....	J-04	REAR FENDER.....	I-02	STARTING MOTOR.....	E-10		

FIG. 38 D

H 11

FIG. 38J(H-11) FRAME COVER (MODEL V/W)



REF. NO.	PART NO.	DESCRIPTION	Q'TY	REMARKS
13-1	47500-46E70-0JW	COVER, FRAME BODY RH (WHITE)	1	MODEL V FOR G4V
13-2	47500-46E70-33J	COVER, FRAME BODY RH (BLACK)	1	MODEL V FOR G2P
13-3	47500-46E70-1LX	COVER, FRAME BODY RH (WHITE)	1	MODEL W FOR K1V
13-4	47500-46E70-35W	COVER, FRAME BODY RH (GRAY)	1	MODEL W FOR G2E
14-1	68660-46E30-G6L	. TAPE, RH	1	MODEL V FOR 0JW
14-2	68660-46E30-G6M	. TAPE, RH	1	MODEL V FOR 33J
14-3	68660-46E30-K2G	. TAPE, RH	1	MODEL W FOR 1LX
14-4	68660-46E30-E88	. TAPE, RH	1	MODEL W FOR 35W
15-1	47600-46E70-0JW	COVER, FRAME BODY LH (WHITE)	1	MODEL V FOR G4V
15-2	47600-46E70-33J	COVER, FRAME BODY LH (BLACK)	1	MODEL V FOR G2P
15-3	47600-46E70-1LX	COVER, FRAME BODY LH (WHITE)	1	MODEL W FOR K1V
15-4	47600-46E70-35W	COVER, FRAME BODY LH (GRAY)	1	MODEL W FOR G2E
16-1	68670-46E30-G6L	. TAPE, LH	1	MODEL V FOR 0JW
16-2	68670-46E30-G6M	. TAPE, LH	1	MODEL V FOR 33J
16-3	68670-46E30-K2G	. TAPE, LH	1	MODEL W FOR 1LX
16-4	68670-46E30-E88	. TAPE, LH	1	MODEL W FOR 35W
17	09136-08126	SCREW, UPPER	2	
18	09320-09016	CUSHION	2	
19	09169-08062	WASHER	2	
20	09139-05025	SCREW, FRONT	2	
21	09169-08040	WASHER	2	
22	09320-09016	CUSHION	2	
23	09180-08283	SPACER	2	
24	45531-48E00	BRACKET, REAR RH	1	
25	45532-48E00	BRACKET, REAR LH	1	
26	03541-04103	SCREW	6	

COLOR : G4V = 0JW (WHITE), YOP (BLUE)
 : G2P = 33J (BLACK), 22U (MAROON)
 : K1V = 0JW (WHITE), YON (BLUE)
 : G2E = 33J (BLACK), 35W (GRAY)

GSX-R1100NW E28

82

AIR CLEANER.....	C-11	COOLING BODY.....	I-04	FRAME COVER.....	H-02	FUEL TANK.....	G-09	MUFFLER.....	D-02	REAR MASTER CYLINDER	L-11	STEERING DAMPER.....	K-05
ALTERNATOR.....	E-11	CRANKCASE COVER....	B-09	FRAME.....	G-02	GEAR SHIFTING.....	E-08	OIL COOLER.....	D-04	REAR SWINGING ARM..	L-02	STEERING STEM.....	K-04
BATTERY.....	F-02	CRANKCASE.....	B-06	FRONT BRAKE HOSE...	K-10	HANDLE LEVER.....	H-16	OIL PAN - OIL PUMP..	B-10	REAR WHEEL.....	L-06	TAIL LAMP.....	F-10
CAM CHAIN.....	C-04	CRANKSHAFT.....	B-12	FRONT CALIPERS.....	K-08	HANDLE SWITCH.....	F-13	OPTIONAL.....	L-13	SEAT.....	J-05	TRANSMISSION.....	E-06
CAM SHAFT - VALVE..	C-02	CYLINDER HEAD COVER	B-02	FRONT DAMPER.....	K-02	HANDLEBAR.....	H-14	RADIATOR HOSE.....	D-07	SIGNAL GENERATOR...	E-15	TURNSIGNAL LAMP....	F-09
CARBURETOR FITTINGS	C-09	CYLINDER HEAD.....	B-03	FRONT FENDER.....	H-13	HEADLAMP.....	F-07	RADIATOR.....	D-06	SPEEDOMETER.....	F-04	WATER PUMP.....	D-05
CARBURETOR.....	C-05	CYLINDER.....	B-05	FRONT MASTER CYLIND	K-12	INSTALLATION PARTS.	I-08	REAR CALIPER.....	L-09	STAND.....	G-04	WIRING HARNESS.....	F-11
CLUTCH MASTER CYLIN	K-14	ELECTRICAL.....	F-03	FRONT WHEEL.....	K-06	INSTALLATION PARTS.	J-02	REAR CUSHION LEVER.	L-04	STARTER CLUTCH.....	B-14		
CLUTCH.....	E-02	FOOTREST.....	G-05	FUEL COCK.....	G-14	LABEL.....	J-04	REAR FENDER.....	I-02	STARTING MOTOR.....	E-10		

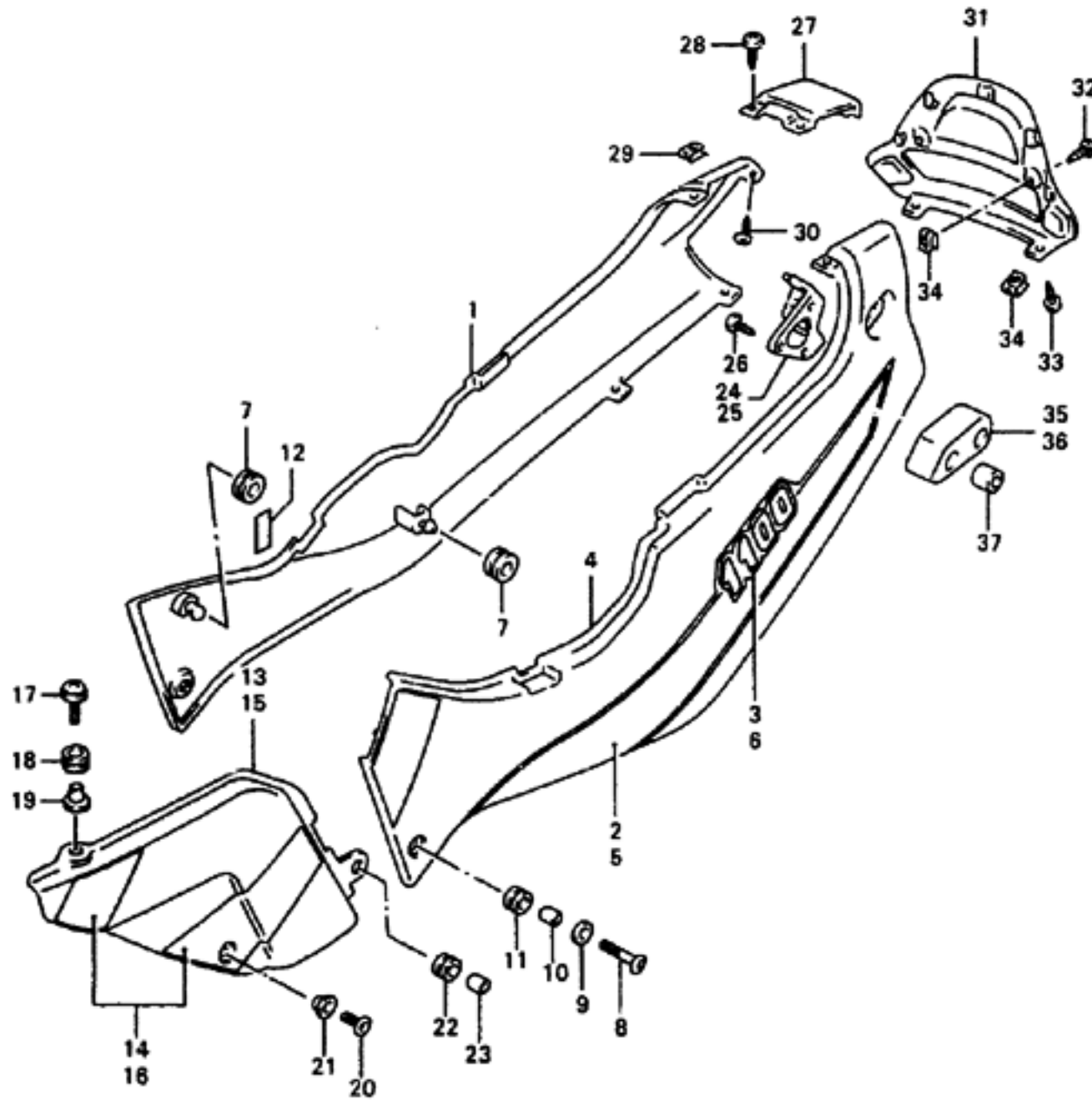
FIG. 38 D

H 12

FIG. 38D(H-12) FRAME COVER (MODEL V/W)

REF. NO.	PART NO.	DESCRIPTION	Q'TY	REMARKS
27-1	47300-48E00-0JW	COVER, FRAME CENTER (WHITE)	1	FOR G4V, K1V
27-2	47300-48E00-33J	COVER, FRAME CENTER (BLACK)	1	FOR G2P
27-3	47300-46E00-35W	COVER, FRAME CENTER (GRAY)	1	FOR G2E
28	02142-05123	SCREW	2	
29	09148-05021	NUT	2	
30	03541-04103	SCREW, INNER	2	
31	47411-48E00	COVER, FRAME REAR	1	
32	09139-05021	SCREW, REAR	2	
33	02142-05123	SCREW, UNDER	2	
34	09148-05021	NUT	2	
35	46238-46E00	CUSHION, PILLION RH	1	
36	46239-46E00	CUSHION, PILLION LH	1	
37	09180-08180	SPACER	4	

COLOR : G4V = 0JW (WHITE), YOP (BLUE)
 : G2P = 33J (BLACK), 22U (MAROON)
 : K1V = 0JW (WHITE), YON (BLUE)
 : G2E = 33J (BLACK), 35W (GRAY)



GSX-R1100NW E28

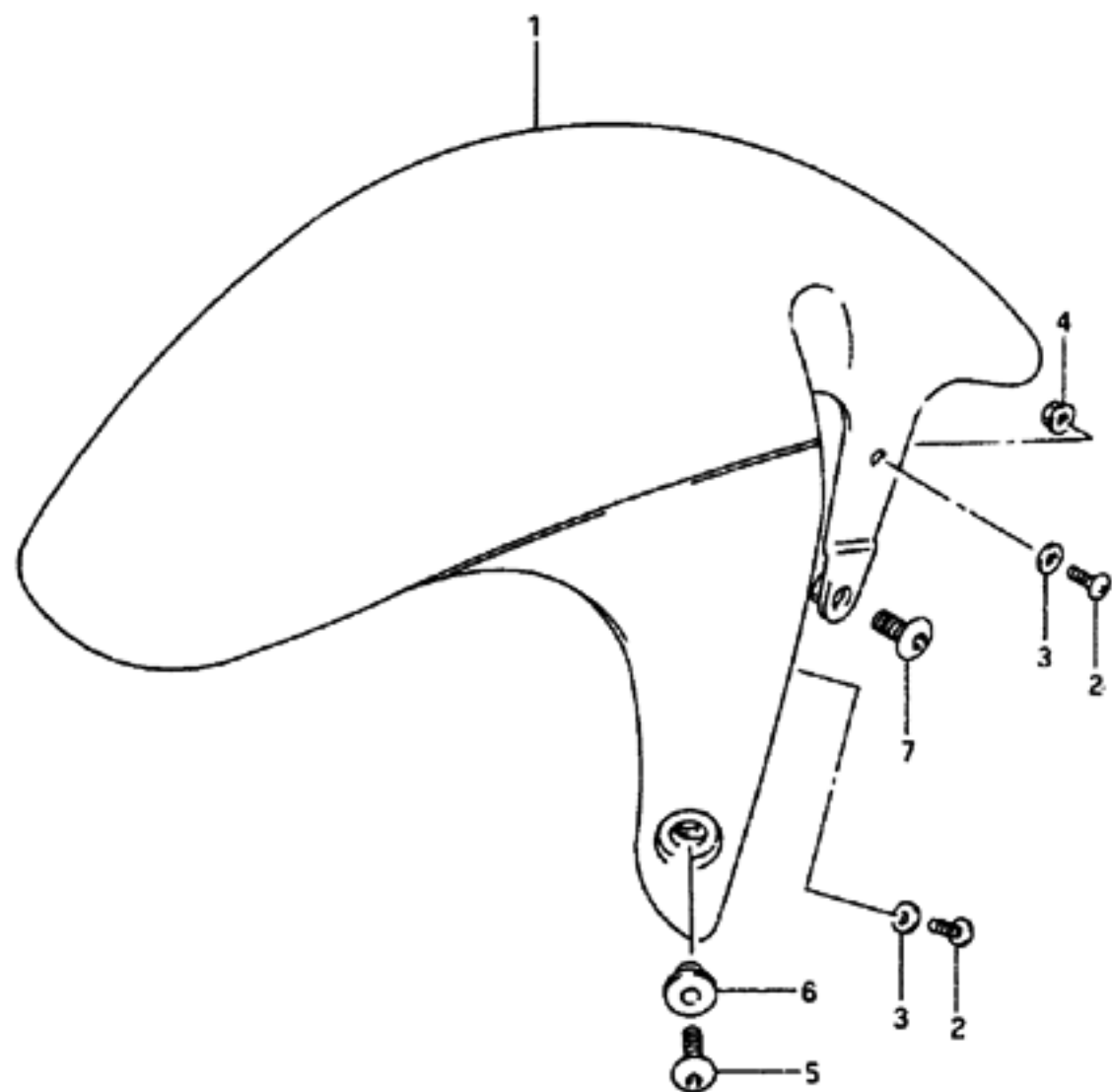
83

AIR CLEANER.....	C-11	COMLING BODY.....	I-04	FRAME COVER.....	H-02	FUEL TANK.....	G-09	MUFFLER.....	D-02	REAR MASTER CYLINDER	L-11	STEERING DAMPER.....	K-05
ALTERNATOR.....	E-11	CRANKCASE COVER.....	B-09	FRAME.....	G-02	GEAR SHIFTING.....	E-08	OIL COOLER.....	D-04	REAR SWINGING ARM..	L-02	STEERING STEM.....	K-04
BATTERY.....	F-02	CRANKCASE.....	B-06	FRONT BRAKE HOSE...	K-10	HANDLE LEVER.....	H-16	OIL PAN - OIL PUMP..	B-10	REAR WHEEL.....	L-06	TAIL LAMP.....	F-10
CAM CHAIN.....	C-04	CRANKSHAFT.....	B-12	FRONT CALIPERS.....	K-08	HANDLE SWITCH.....	F-13	OPTIONAL.....	L-13	SEAT.....	J-05	TRANSMISSION.....	E-04
CAM SHAFT - VALVE..	C-02	CYLINDER HEAD COVER	B-02	FRONT DAMPER.....	K-02	HANDLEBAR.....	H-14	RADIATOR HOSE.....	D-07	SIGNAL GENERATOR...	E-15	TURN SIGNAL LAMP...	F-09
CARBURETOR FITTINGS	C-09	CYLINDER HEAD.....	B-03	FRONT FENDER.....	H-13	HEADLAMP.....	F-07	RADIATOR.....	D-06	SPEEDOMETER.....	F-04	WATER PUMP.....	D-05
CARBURETOR.....	C-05	CYLINDER.....	B-05	FRONT MASTER CYLIND	K-12	INSTALLATION PARTS..	I-08	REAR CALIPER.....	L-09	STAND.....	G-04	WIRING HARNESS.....	F-11
CLUTCH MASTER CYLIN	K-14	ELECTRICAL.....	F-03	FRONT WHEEL.....	K-04	INSTALLATION PARTS..	J-02	REAR CUSHION LEVER..	L-04	STARTER CLUTCH.....	B-14		
CLUTCH.....	E-02	FOOTREST.....	G-05	FUEL COCK.....	G-14	LABEL.....	J-04	REAR FENDER.....	I-02	STARTING MOTOR.....	E-10		

FIG. 39

H 13

FIG. 39 (H-13) FRONT FENDER



REF. NO.	PART NO.	DESCRIPTION	Q'TY	REMARKS
1-1	53110-46E00-1LE	FENDER, FRONT (BLUE)	1	MODEL P/R FOR M18 -53110-46E21-1LE
1-2	53110-46E00-33J	FENDER, FRONT (BLACK)	1	FOR 17U, 33J -53110-46E21-33J
1-3	53110-46E21-1LE	FENDER, FRONT (BLUE)	1	FOR M18
1-4	53110-46E21-33J	FENDER, FRONT (BLACK)	1	FOR 17U, 33J, G2E
1-5	53110-46E21-1LE	FENDER, FRONT (BLUE)	1	MODEL S FOR M18
1-6	53110-46E21-33J	FENDER, FRONT (BLACK)	1	MODEL S FOR A6G
1-7	53110-46E21-Z12	FENDER, FRONT (BLUE)	1	MODEL T FOR E9P
1-8	53110-46E21-1TU	FENDER, FRONT (PURPLE)	1	MODEL T FOR C3B
1-9	53110-46E21-YOP	FENDER, FRONT (BLUE)	1	MODEL V FOR G4V
1-10	53110-46E21-22U	FENDER, FRONT (MAROON)	1	MODEL V FOR G2P
1-11	53110-46E21-YON	FENDER, FRONT (BLUE)	1	MODEL W FOR K1V
2	02142-03103	. SCREW	4	
3	08322-01033	. WASHER	4	
4	08316-26035	. NUT	2	
5	09139-06030	SCREW, FRONT	2	
6	09161-06021	WASHER, FRONT	2	
7-1	09139-08007	SCREW, REAR	2	MODEL P/R
7-2	01550-08203	BOLT, REAR	2	MODEL S/T/V/W

COLOR : M18 = 0JW (WHITE), 1LE (BLUE)
 : A6G = 33J (BLACK), 1TY (RED)
 : E9P = 0JW (WHITE), Z12 (BLUE)
 : C3B = 17U (GRAY), 1TU (PURPLE)
 : G4V = 0JW (WHITE), YOP (BLUE)
 : G2P = 33J (BLACK), 22U (MAROON)
 : K1V = 0JW (WHITE), YON (BLUE)
 : G2E = 33J (BLACK), 35W (GRAY)

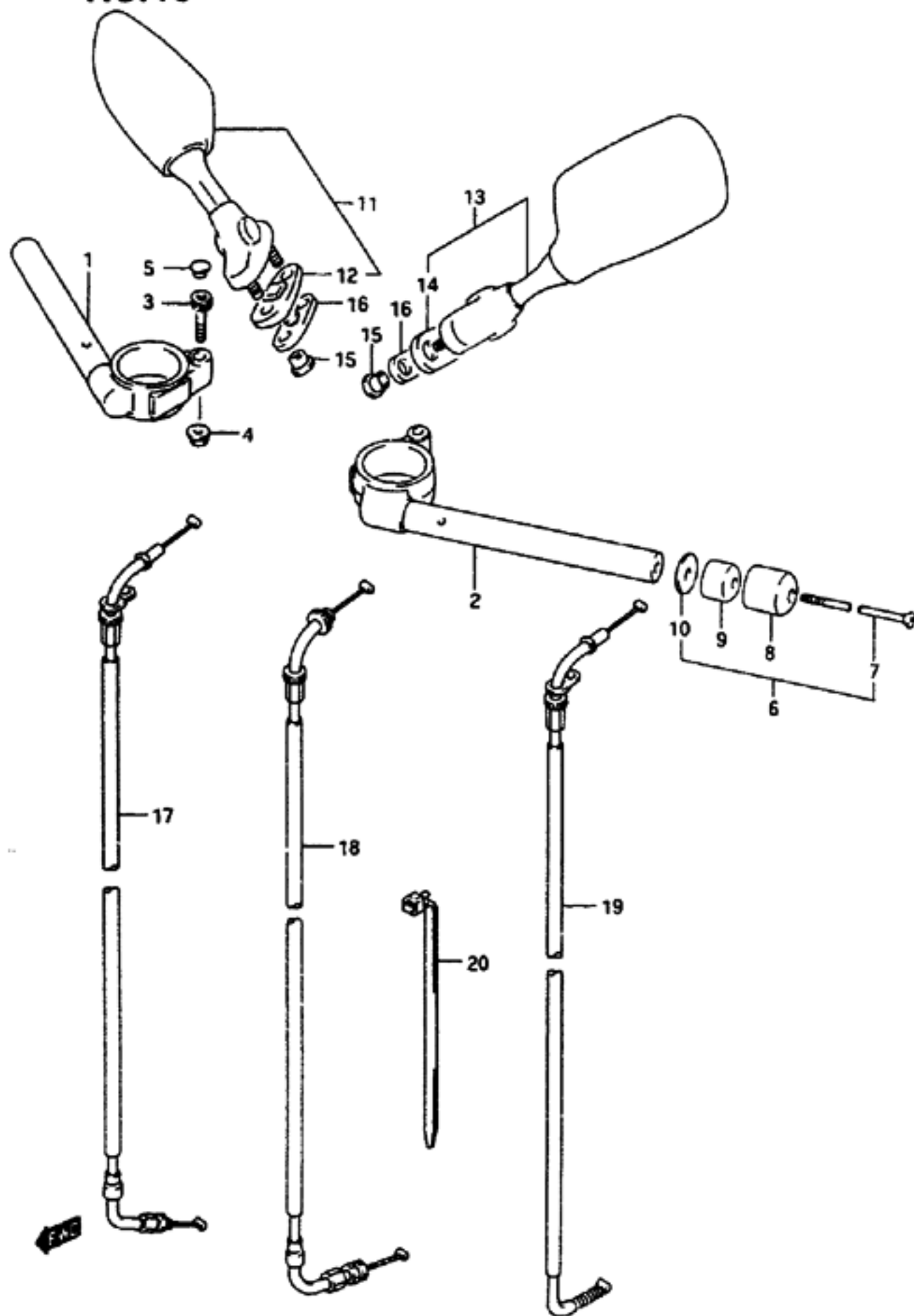
GSX-R1100NW E28

AIR CLEANER..... C-11	COMLING BODY..... I-04	FRAME COVER..... H-02	FUEL TANK..... G-09	MUFFLER..... D-02	REAR MASTER CYLIND L-11	STEERING DAMPER.... K-05
ALTERNATOR..... E-11	CRANKCASE COVER... B-09	FRAME..... G-02	GEAR SHIFTING..... E-08	OIL COOLER..... D-04	REAR SWINGING ARM.. L-02	STEERING STEM..... K-04
BATTERY..... F-02	CRANKCASE..... B-06	FRONT BRAKE HOSE... K-10	HANDLE LEVER..... H-16	OIL PAN - OIL PUMP. B-10	REAR WHEEL..... L-04	TAIL LAMP..... F-10
CAM CHAIN..... C-04	CRANKSHAFT..... B-12	FRONT CALIPERS..... K-08	HANDLE SWITCH..... F-13	OPTIONAL..... L-13	SEAT..... J-05	TRANSMISSION..... E-06
CAM SHAFT - VALVE.. C-02	CYLINDER HEAD COVER B-02	FRONT DAMPER..... K-02	HANDLEBAR..... H-14	RADIATOR HOSE..... D-07	SIGNAL GENERATOR... E-15	TURN SIGNAL LAMP... F-09
CARBURETOR FITTINGS C-09	CYLINDER HEAD..... B-03	FRONT FENDER..... H-13	HEADLAMP..... F-07	RADIATOR..... D-06	SPEEDOMETER..... F-04	WATER PUMP..... D-05
CARBURETOR..... C-05	CYLINDER..... B-05	FRONT MASTER CYLIND K-12	INSTALLATION PARTS. I-08	REAR CALIPER..... L-09	STAND..... G-04	WIRING HARNESS..... F-11
CLUTCH MASTER CYLIN K-14	ELECTRICAL..... F-03	FRONT WHEEL..... K-06	INSTALLATION PARTS. J-02	REAR CUSHION LEVER. L-04	STARTER CLUTCH..... B-14	
CLUTCH..... E-02	FOOTREST..... G-05	FUEL COCK..... G-14	LABEL..... J-04	REAR FENDER..... I-02	STARTING MOTOR..... E-10	

FIG.40

H 14

FIG.40 (H-14) HANDLEBAR (MODEL P/R)



REF. NO.	PART NO.	DESCRIPTION	Q'TY	REMARKS
1	56111-46E00	HANDLEBAR, RH	1	
2	56151-46E00	HANDLEBAR, LH	1	
3	07130-10507	BOLT	2	
4	08319-31107	NUT	2	
5	09250-08014	CAP	2	
6-1	56200-46820	BALANCER SET, HANDLEBAR	2	MODEL P
6-2	56200-46830	BALANCER SET, HANDLEBAR	2	MODEL R
7-1	02132-06605	.SCREW	2	MODEL P
7-2	02122-06603	.SCREW	2	MODEL ?
8	56274-00A11	.CAP	2	
9	56271-00A00	.BALANCER	2	
10	56275-28D00	.SPACER	2	
11	56500-18D01-84N	MIRROR REAR VIEW RH (BLACK)	1	
12	56528-18D00	.CUSHION, MIRROR RH	1	
13	56600-18D01-84N	MIRROR, REAR VIEW LH (BLACK)	1	
14	56628-18D00	.CUSH ON, MIRROR LH	1	
15	56619-12C00	NUT, MIRROR	4	
16	94576-22D00	CUSHION, MIRROR	2	
17	58300-17E00	CABLE ASSY, THROTTLE NO.1	1	
18	58300-17E10	CABLE ASSY, THROTTLE NO.2	1	
19	58410-46E00	CABLE, STARTER	1	
20	09407-25401	CLAMP	2	

REFER TO FIG.40A(H-15) FOR MODEL S/T/V/W

GSX-R1100WV E28

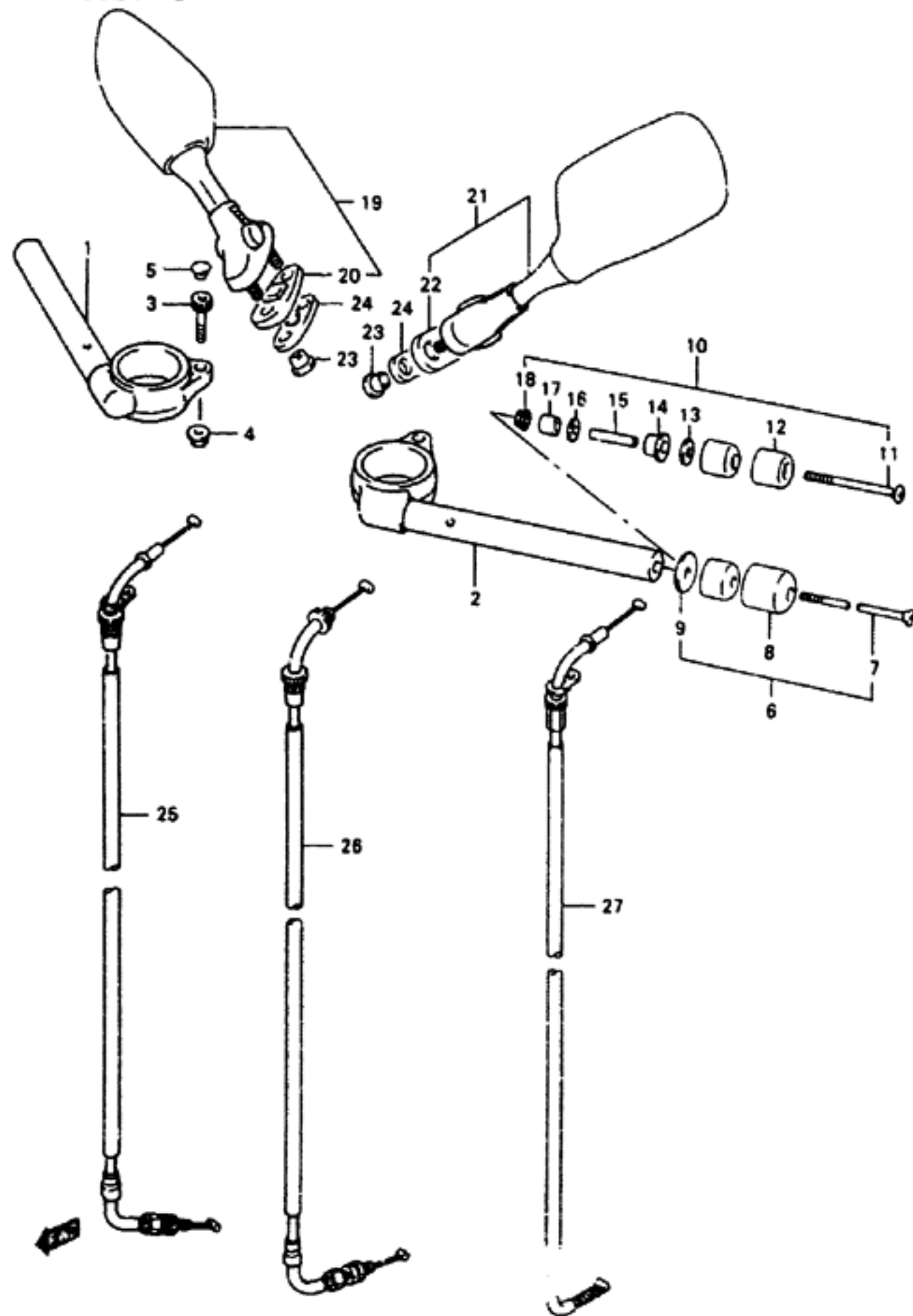
85

AIR CLEANER..... C-11	COMLING BODY..... I-04	FRAME COVER..... H-02	FUEL TANK..... G-09	MUFFLER..... D-02	REAR MASTER CYLINDER..... L-11	STEERING DAMPER..... K-05
ALTERNATOR..... E-11	CRANKCASE COVER..... B-09	FRAME..... G-02	GEAR SHIFTING..... E-08	OIL COOLER..... D-04	REAR SWINGING ARM.. L-02	STEERING STEM..... K-04
BATTERY..... F-02	CRANKCASE..... B-06	FRONT BRAKE HOSE... K-10	HANDLE LEVER..... H-16	OIL PAN - OIL PUMP. B-10	REAR WHEEL..... L-06	TAIL LAMP..... F-10
CAM CHAIN..... C-04	CRANKSHAFT..... B-12	FRONT CALIPERS..... K-08	HANDLE SWITCH..... F-13	OPTIONAL..... L-13	SEAT..... J-05	TRANSMISSION..... E-06
CAM SHAFT - VALVE.. C-02	CYLINDER HEAD COVER B-02	FRONT DAMPER..... K-02	HANDLEBAR..... H-14	RADIATOR HOSE..... D-07	SIGNAL GENERATOR... E-15	TURN SIGNAL LAMP... F-09
CARBURETOR FITTINGS C-09	CYLINDER HEAD..... B-03	FRONT FENDER..... H-13	HEADLAMP..... F-07	RADIATOR..... D-06	SPEEDOMETER..... F-04	WATER PUMP..... D-05
CARBURETOR..... C-05	CYLINDER..... B-05	FRONT MASTER CYLIND K-12	INSTALLATION PARTS. I-08	REAR CALIPER..... L-09	STAND..... G-04	WIRING HARNESS..... F-11
CLUTCH MASTER CYLIND K-14	ELECTRICAL..... F-03	FRONT WHEEL..... K-04	INSTALLATION PARTS. J-02	REAR CUSHION LEVER. L-04	STARTER CLUTCH..... B-14	
CLUTCH..... E-02	FOOTREST..... G-05	FUEL COCK..... G-14	LABEL..... J-04	REAR FENDER..... I-02	STARTING MOTOR..... E-10	

FIG. 40 A

H 15

FIG. 40A(H-15) HANDLEBAR (MODEL S/T/V/W)



REF. NO.	PART NO.	DESCRIPTION	Q'TY	REMARKS
1-1	56111-46E10	HANDLEBAR, RH	1	MODEL S
1-2	56111-46E11	HANDLEBAR, RH	1	MODEL T
1-3	56111-46E21	HANDLEBAR, RH	1	MODEL V/W
2-1	56151-46E10	HANDLEBAR, LH	1	MODEL S
2-2	56151-46E11	HANDLEBAR, LH	1	MODEL T
2-3	56151-46E21	HANDLEBAR, LH	1	MODEL V/W
3	07130-10507	BOLT	2	
4	08310-31107	NUT	2	
5	0925C-38014	CAP	2	
6-1	56200-01831	BALANCER SET, HANDLEBAR	2	MODEL S
6-2	56200-46830	BALANCER SET, HANDLEBAR	2	MODEL T
7	02122-06603	SCREW	2	MODEL S/T
8	56274-49310	CAP	2	MODEL S/T
9	56275-34401	SPACER	2	MODEL S/T
10	56200-46841	BALANCER SET, HANDLEBAR	2	MODEL V/W
11	09127-06021	SCREW	2	MODEL V/W
12	56274-49310	CAP	2	MODEL V/W
13	56275-26001	SPACER	2	MODEL V/W
14	56272-26010	EXPANDER	2	MODEL V/W
15	56276-17000	SPACER	2	MODEL V/W
16	08322-01063	WASHER	2	MODEL V/W
17	56272-43500	EXPANDER	2	MODEL V/W
18	09159-06024	NUT	2	MODEL V/W
19	56500-19000-84N	MIRROR, REAR VIEW RH (BLACK)	1	
20	56528-18000	CUSHION, MIRROR RH	1	
21	56600-19000-84N	MIRROR, REAR VIEW LH (BLACK)	1	
22	56628-18000	CUSHION, MIRROR LH	1	
23	56610-12000	NUT, MIRROR	4	
24	94576-41000	CUSHION, MIRROR	2	
25-1	58300-46E30	CABLE ASSY, THROTTLE NO. 1	1	MODEL S/T
25-2	58300-46E80	CABLE ASSY, THROTTLE NO. 1	1	MODEL V/W
26-1	58300-46E10	CABLE ASSY, THROTTLE NO. 2	1	MODEL S/T
26-2	58300-46E90	CABLE ASSY, THROTTLE NO. 2	1	MODEL V/W
27	58410-46E00	CABLE, STARTER	1	

GSX-R1100NW E28

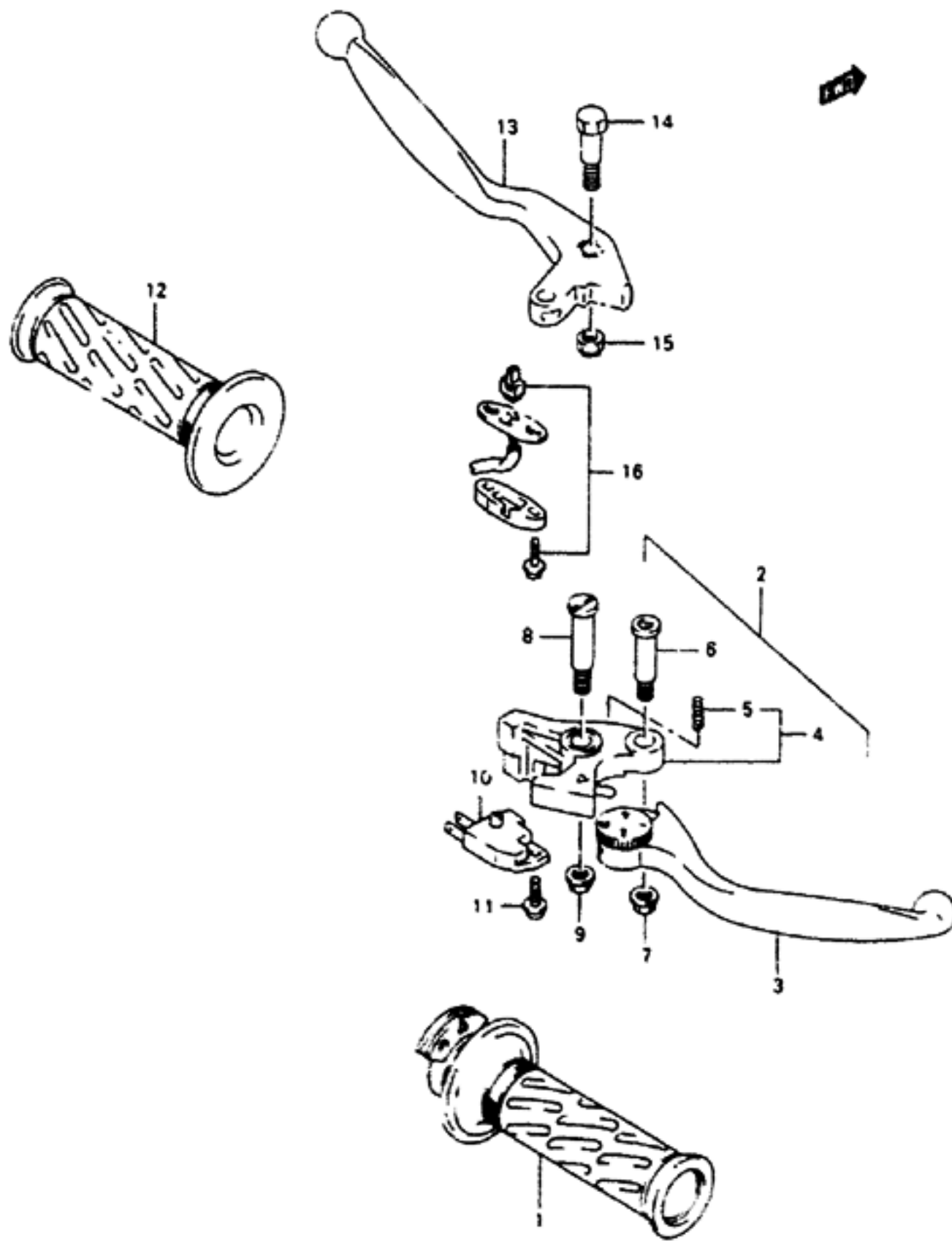
86

AIR CLEANER.....	C-11	CONVING BODY.....	I-04	FRAME COVER.....	H-02	FUEL TANK.....	G-09	MUFFLER.....	D-02	REAR MASTER CYLINDER	L-11	STEERING DAMPER.....	K-05
ALTERNATOR.....	E-11	CRANKCASE COVER.....	B-09	FRAME.....	G-02	GEAR SHIFTING.....	E-08	OIL COOLER.....	D-04	REAR SWINGING ARM..	L-02	STEERING STEM.....	K-04
BATTERY.....	F-02	CRANKCASE.....	B-04	FRONT BRAKE NOSE...	K-10	HANDLE LEVER.....	H-16	OIL PAN - OIL PUMP..	B-10	REAR WHEEL.....	L-06	TAIL LAMP.....	F-10
CAM CHAIN.....	C-04	CRANKSHAFT.....	B-12	FRONT CALIPERS.....	X-08	HANDLE SWITCH.....	F-13	OPTIONAL.....	L-13	SEAT.....	J-05	TRANSMISSION.....	E-04
CAM SHAFT - VALVE..	C-02	CYLINDER HEAD COVER	B-02	FRONT DAMPER.....	K-02	HANDLEBAR.....	H-14	RADIATOR HOSE.....	D-07	SIGNAL GENERATOR...	E-15	TURNSIGNAL LAMP....	F-09
CARBURETOR FITTINGS	C-09	CYLINDER HEAD.....	B-03	FRONT FENDER.....	H-13	HEADLAMP.....	F-07	RADIATOR.....	D-04	SPEEDOMETER.....	F-04	WATER PUMP.....	D-05
CARBURETOR.....	C-05	CYLINDER.....	B-05	FRONT MASTER CYLIND	K-12	INSTALLATION PARTS..	I-08	REAR CALIPER.....	L-09	STAND.....	G-04	WIRING HARNESS.....	F-11
CLUTCH MASTER CYLIND	K-14	ELECTRICAL.....	F-03	FRONT WHEEL.....	K-06	INSTALLATION PARTS..	J-02	REAR CUSHION LEVER..	L-04	STARTER CLUTCH.....	B-14		
CLUTCH.....	E-02	FOOTREST.....	G-05	FUEL COCK.....	G-14	LABEL.....	J-04	REAR FENDER.....	I-02	STARTING MOTOR.....	E-10		

FIG.41

H 16

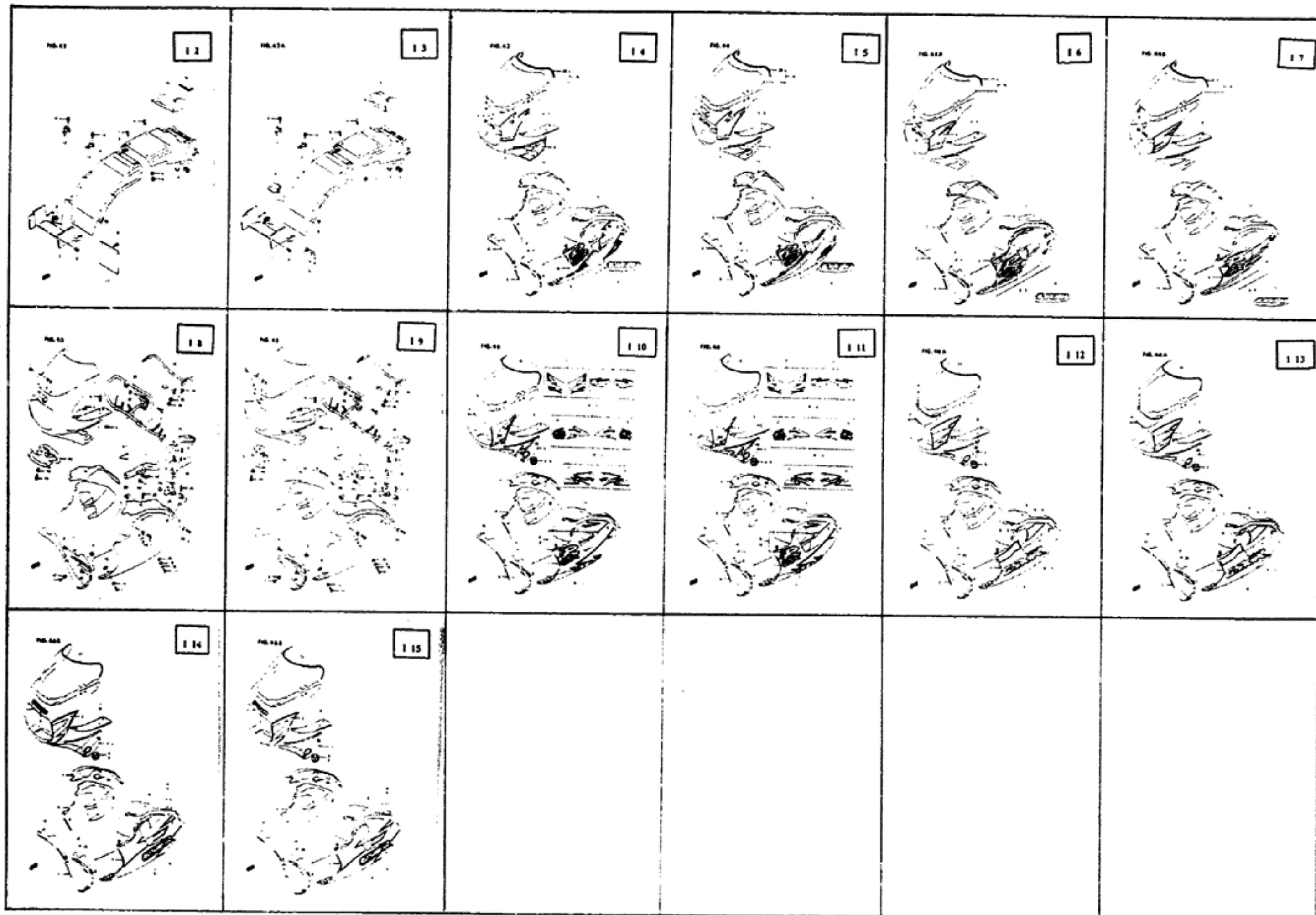
FIG. 41 (H-16) HANDLE LEVER



REF. NO.	PART NO	DESCRIPTION	Q'TY	REMARKS
1-1	57110-22D01	GRIP, THROTTLE	1	MODEL P/R
1-2	57110-46F00	GRIP, THROTTLE	1	MODEL S/T
1-3	57110-46E01	GRIP, THROTTLE	1	MODEL V/W
2	57300-40C10	LEVER ASSY. BRAKE	1	
3	57420-32C00	LEVER, ADJUST	1	
4-1	57430-40C00	KNOCKER	1	MODEL P/R
4-2	57430-40C10	KNOCKER	1	MODEL S/T/V/W
5	57438-32C00	SPRING	1	
6-1	57437-32C00	BOLT, LEVER	1	MODEL P/R
6-2	57437-32C01	BOLT, LEVER	1	MODEL S/T/V/W
7	08319-31063	NUT	1	
8	57431-17C00	BOLT, KNOCKER	1	
9	08316-10063	NUT	1	
10	57460-17C00	SWITCH ASSY. STOP	1	
11	57465-17C00	SCREW	1	
12-1	57211-22D00	GRIP, LH	1	MODEL P/R/S/T
12-2	57211-22D01	GRIP, LH	1	MODEL V/W
13	57621-38A02	LEVER, CLUTCH	1	
14	57431-05A00	BOLT	1	
15	08319-21063	NUT	1	
16	57580-18D10	SWITCH ASSY. CLUTCH	1	MODEL P/R/S/T

GSX-R1100NW E28

AIR CLEANER.....	C-11	COILING BODY.....	I-04	FRAME COVER.....	H-02	FUEL TANK.....	G-09	RUFFLER.....	D-02	REAR MASTER CYLINDER	L-11	STEERING DAMPER.....	K-05
ALTERNATOR.....	E-11	CRANKCASE COVER.....	B-09	FRAM.....	G-02	REAR SHIFTING.....	E-08	OIL COOLER.....	D-04	REAR SWINGING ARM..	L-02	STEERING STEM.....	K-04
BATTERY.....	F-02	CRANKCASE.....	B-04	FRONT BRAKE HOSE.....	E-18	HANDLE LEVER.....	H-16	OIL PAN - OIL PUMP..	B-10	REAR WHEEL.....	L-04	TAIL LAMP.....	F-10
BAR CHAIN.....	C-04	CRANKSHAFT.....	B-12	FRONT CALIPERS.....	K-08	HANDLE SWITCH.....	F-13	OPTIONAL.....	L-13	SEAT.....	J-05	TRANSMISSION.....	E-06
BAR SHAFT - VALVE..	C-02	CYLINDER HEAD COVER	B-02	FRONT DAMPER.....	K-02	HANDLEBAR.....	H-14	RADIATOR HOSE.....	D-07	SIGNAL GENERATOR...	E-15	TURNSIGNAL LAMP....	F-09
CARBURETOR FITTINGS	C-09	CYLINDER HEAD.....	T-03	FRONT FENDER.....	H-13	HEADLAMP.....	F-07	RADIATOR.....	D-04	SPEEDOMETER.....	F-04	WATER PUMP.....	T-05
CARBURETOR.....	C-05	CYLINDER.....	B-05	FRONT MASTER CYLIND	K-12	INSTALLATION PARTS..	I-00	REAR CALIPER.....	L-09	STAND.....	G-04	WIRING HARNESS.....	F-11
CLUTCH MASTER CYL IN	K-14	ELECTRICAL.....	F-03	FRONT WHEEL.....	E-04	INSTALLATION PARTS..	J-02	REAR CUSHION LEVER..	L-04	STARTER CLUTCH.....	B-14		
CLUTCH.....	E-02	FASTENET.....	D-05	FUEL COCK.....	G-14	LABEL.....	J-04	REAR FENDER.....	I-02	STARTING MOTOR.....	E-10		

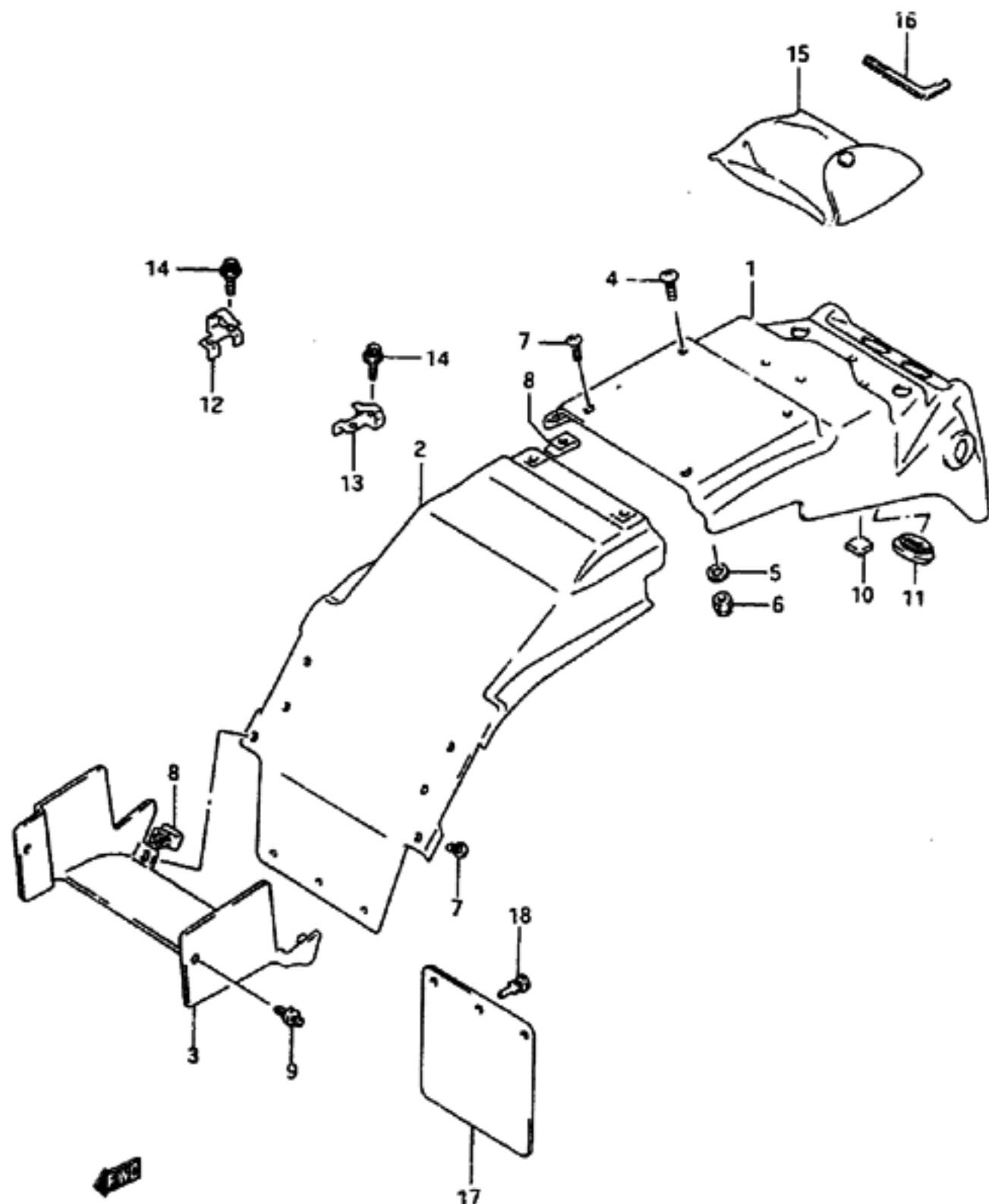


AIR CLEANER.....	C-11	COWLING BODY.....	I-04	FRAME COVER.....	H-02	FUEL TANK.....	G-09	MUFFLER.....	D-02	REAR MASTER CYLINDER	L-11	STEERING DAMPER.....	K-05
ALTERNATOR.....	E-11	CRANKCASE COVER.....	B-09	FRAME.....	G-02	GEAR SHIFTING.....	E-08	OIL COOLER.....	D-04	REAR SWINGING ARM..	L-02	STEERING STEM.....	K-04
BATTERY.....	F-02	CRANKCASE.....	B-06	FRONT BRAKE HOSE...	K-10	HANDLE LEVER.....	H-16	OIL PAN - OIL PUMP..	B-10	REAR WHEEL.....	L-04	TAIL LAMP.....	F-10
CAN CHAIN.....	C-04	CRANKSHAFT.....	B-12	FRONT CALIPERS.....	K-08	HANDLE SWITCH.....	F-13	OPTIONAL.....	L-13	SEAT.....	J-05	TRANSMISSION.....	E-06
CAN SHAFT - VALVE..	C-02	CYLINDER HEAD COVER	B-02	FRONT DAMPER.....	K-02	HANDLEBAR.....	H-14	RADIATOR HOSE.....	D-07	SIGNAL GENERATOR...	E-15	TURN SIGNAL LAMP...	F-09
CARBURETOR FITTING	C-09	CYLINDER HEAD.....	B-03	FRONT FENDER.....	H-13	HEADLAMP.....	F-07	RADIATOR.....	D-06	SPEEDOMETER.....	F-04	WATER PUMP.....	D-05
CARBURETOR.....	C-05	CYLINDER.....	B-05	FRONT MASTER CYLIND	K-12	INSTALLATION PARTS..	I-08	REAR CALIPER.....	L-09	STAND.....	G-04	WIRING HARNESS.....	F-11
CLUTCH MASTER CYLIN	K-14	ELECTRICAL.....	F-03	FRONT WHEEL.....	K-06	INSTALLATION PARTS..	J-02	REAR CUSHION LEVER..	L-04	STARTER CLUTCH.....	B-14		
CLUTCH.....	E-02	FOOTREST.....	G-05	FUEL COCK.....	G-14	LABEL.....	J-04	REAR FENDER.....	I-02	STARTING MOTOR.....	E-10		

FIG.42

12

FIG.42 (1- 2) REAR FENDER (MODEL P/R)



REF. NO.	PART NO.	DESCRIPTION	Q'TY	REMARKS
1	63112-40C?0	BODY, REAR FENDER UPPER	1	
2	63114-46E00	BODY, REAR FENDER FRONT	1	
3	63113-17E00	BODY, REAR FENDER FRONT	1	
4-1	02142-06164	SCREW	2	MODEL P
4-2	02142-06163	SCREW	2	MODEL R
5	09160-06006	WASHER	2	MODEL P
6-1	08319-21066	NUT	2	MODEL P
6-2	08319-31063	NUT	2	MODEL R
7-1	02142-05124	SCREW	4	MODEL P
7-2	02142-05123	SCREW	4	MODEL R
8	94484-32B00	NUT	4	
9-1	09409-06307	CLIP	2	MODEL P
9-2	09409-06322	CLIP	2	MODEL R
10	63115-46E00	TAPE, HOLE	2	
11	09250-30010	CAP	2	
12	95721-18D00	HOLDER, HELMET RH	1	
13	95731-18D00	HOLDER, HELMET LH	1	
14-1	07120-06125	BOLT	2	MODEL P
14-2	07120-06123	BOLT	2	MODEL R
15-1	09800-20057	TOOL ASSY	1	MODEL P -09800-21008
15-2	09800-21008	TOOL ASSY	1	MODEL R
16	09816-00103	SPANNER, HEXAGON	1	MODEL P
17	63411-46E00	MUD GUARD, REAR FENDER FRONT	1	
18	63415-10D00	CLIP, MUD GUARD	3	

REFER TO FIG.42A(1- 3) FOR MODEL S/T/V/W

GSX-R1100HW E28

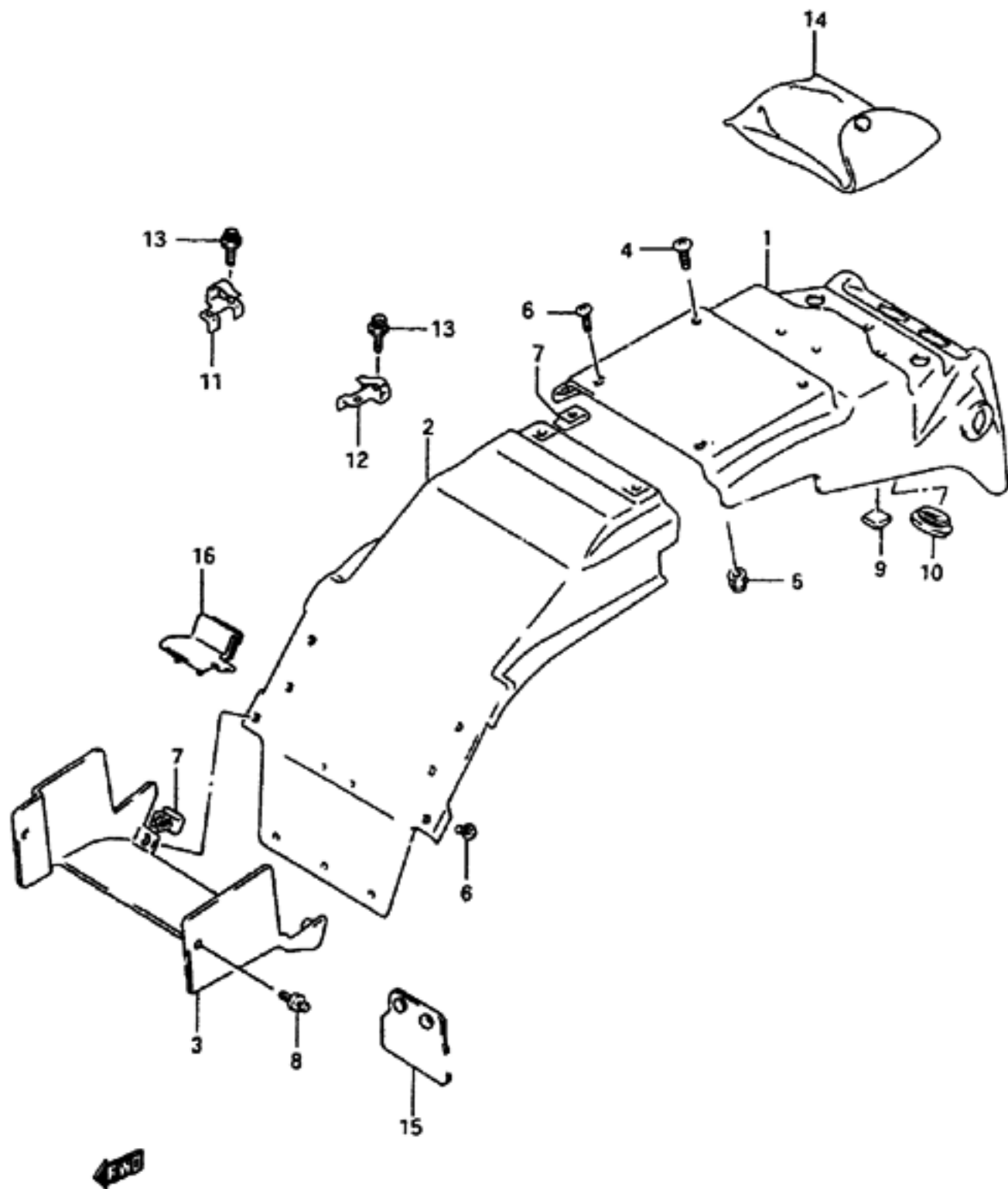
88

AIR CLEANER.....	C-11	COWLING BODY.....	I-04	FRAME COVER.....	H-02	FUEL TANK.....	G-09	MUFFLER.....	D-02	REAR MASTER CYLINDER	L-11	STEERING DAMPER.....	K-05
ALTERNATOR.....	E-11	CRANKCASE COVER.....	B-09	FRAME.....	G-02	GEAR SHIFTING.....	E-08	OIL COOLER.....	D-04	REAR SWINGING ARM..	L-02	STEERING STEN.....	K-04
BATTERY.....	F-02	CRANKCASE.....	B-06	FRONT BRAKE HOSE...	K-10	HANDLE LEVER.....	H-16	OIL PAN - OIL PUMP..	B-10	REAR WHEEL.....	L-06	TAIL LAMP.....	F-10
CAM CHAIN.....	C-04	CRANKSHAFT.....	B-12	FRONT CALIPERS.....	K-08	HANDLE SWITCH.....	F-13	OPTIONAL.....	L-13	SEAT.....	J-05	TRANSMISSION.....	E-06
CAM SHAFT - VALVE..	C-02	CYLINDER HEAD COVER	B-02	FRONT DAMPER.....	K-02	HANDLEBAR.....	H-14	RADIATOR HOSE.....	D-07	SIGNAL GENERATOR...	E-15	TURN SIGNAL LAMP....	F-09
CARBURETOR FITTINGS	C-09	CYLINDER HEAD.....	B-03	FRONT FENDER.....	H-13	HEADLAMP.....	F-07	RADIATOR.....	D-06	SPEEDOMETER.....	F-04	WATER PUMP.....	D-05
CARBURETOR.....	C-05	CYLINDER.....	B-05	FRONT MASTER CYLIND	K-12	INSTALLATION PARTS..	I-08	REAR CALIPER.....	L-09	STAND.....	G-04	WIRING HARNESS.....	F-11
CLUTCH MASTER CYLIN	K-14	ELECTRICAL.....	F-03	FRONT WHEEL.....	K-06	INSTALLATION PARTS..	J-02	REAR CUSHION LEVER..	L-04	STARTER CLUTCH.....	B-14		
CLUTCH.....	E-02	FOOTREST.....	G-05	FUEL COCK.....	G-14	LABEL.....	J-04	REAR FENDER.....	I-02	STARTING MOTOR.....	E-10		

FIG.42A

I 3

FIG.42A(1- 3) REAR FENDER (MODEL S/T/V/W)



REF. NO.	PART NO.	DESCRIPTION	Q'TY	REMARKS
1	63112-40C30	FENDER, REAR UPPER	1	
2	63114-46E10	FENDER, REAR FRONT NO. 1	1	
3	63113-17E10	FENDER, REAR FRONT NO. 2	1	
4	02142-06163	SCREW	2	
5	08319-31087	NUT	2	
6	02142-05123	SCREW	4	
7	94484-32B00	NUT	4	
8	09409-06322-5PK	CLIP (BLACK)	2	
9	63115-46E00	TAPE, HOLE	2	
10-1	09250-30015	CAP	2	MODEL S
10-2	09250-30010	CAP	2	MODEL T/V/W
11	95721-18D00	HOLDER, HELMET RH	1	
12	95731-18D00	HOLDER, HELMET LH	1	
13	07120-06123	BOLT	2	
14	09800-21035	TOOL ASSY	1	
15	63411-33400	MUD GUARD, REAR FENDER FRONT	1	
16	63411-17E00	MUD GUARD, REAR FENDER LH	1	

GSX-R1100WN E28

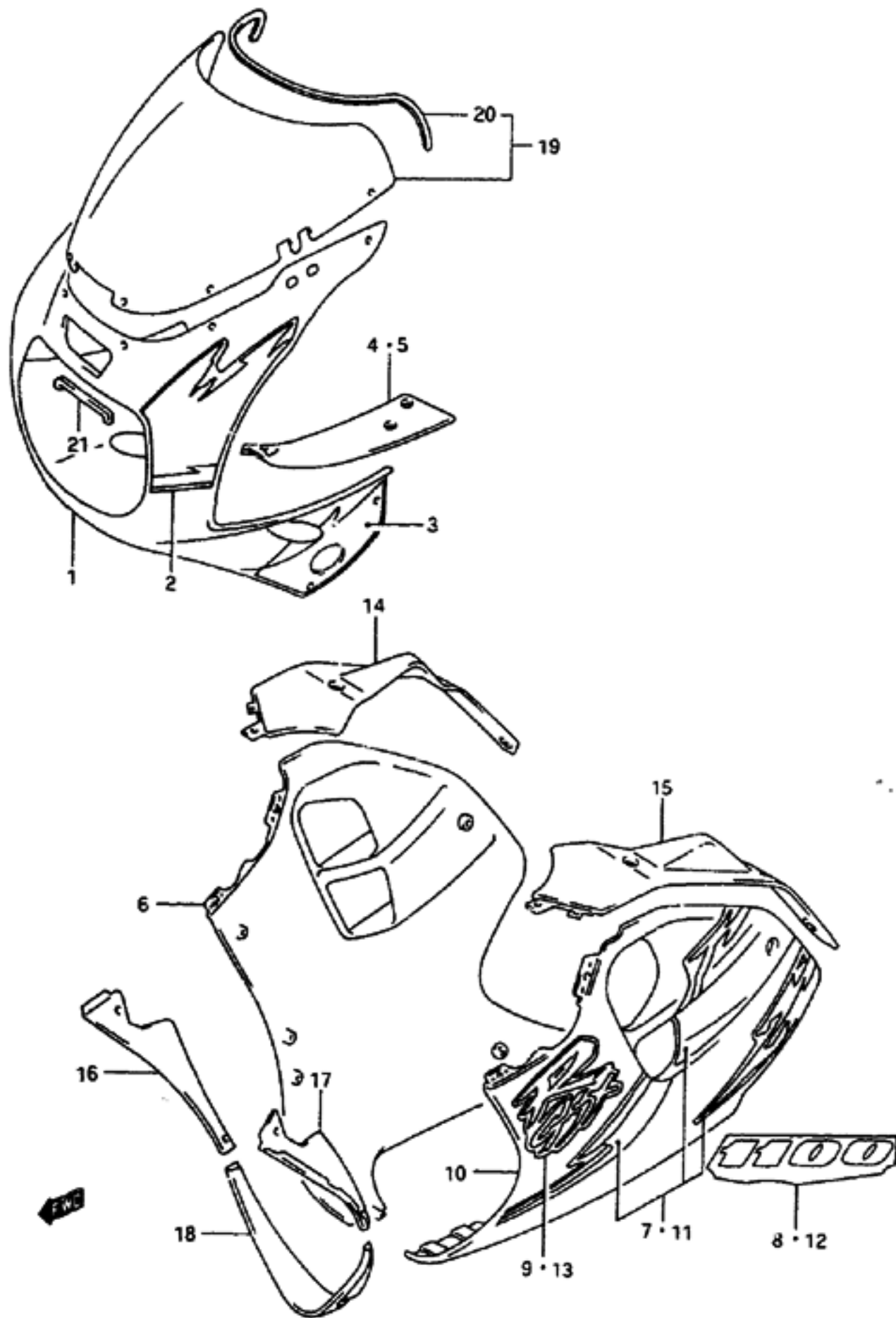
89

AIR CLEANER.....	C-11	COWLING BODY.....	I-04	FRAME COVER.....	H-02	FUEL TANK.....	G-09	MUFFLER.....	D-02	REAR MASTER CYLINDER	L-11	STEERING DAMPER.....	K-05
ALTERNATOR.....	E-11	CRANKCASE COVER.....	B-09	FRAME.....	G-02	GEAR SHIFTING.....	E-08	OIL COOLER.....	D-04	REAR SWINGING ARM..	L-02	STEERING STEM.....	K-04
BATTERY.....	F-02	CRANKCASE.....	B-06	FRONT BRAKE HOSE...	K-10	HANDLE LEVER.....	H-16	OIL PAN - OIL PUMP..	B-10	REAR WHEEL.....	L-06	TAIL LAMP.....	F-10
CAM CHAIN.....	C-04	CRANKSHAFT.....	B-12	FRONT CALIPERS.....	K-08	HANDLE SWITCH.....	F-15	OPTIONAL.....	L-13	SEAT.....	J-05	TRANSMISSION.....	E-06
CAM SHAFT - VALVE..	C-02	CYLINDER HEAD COVER	B-02	FRONT DAMPER.....	K-02	HANDLEBAR.....	H-14	RADIATOR HOSE.....	D-07	SIGNAL GENERATOR...	E-15	TURN SIGNAL LAMP...	F-09
CARBURETOR FITTINGS	C-09	CYLINDER HEAD.....	B-03	FRONT FENDER.....	H-13	HEADLAMP.....	F-07	RADIATOR.....	D-04	SPEEDOMETER.....	F-04	WATER PUMP.....	D-05
CARBURETOR.....	C-05	CYLINDER.....	B-05	FRONT MASTER CYLIND	K-12	INSTALLATION PARTS..	I-08	REAR CALIPER.....	L-09	STAND.....	G-04	WIRING HARNESS.....	F-11
CLUTCH MASTER CYLIN	K-14	ELECTRICAL.....	F-03	FRONT WHEEL.....	K-06	INSTALLATION PARTS..	J-02	REAR CUSHION LEVER..	L-04	STARTER CLUTCH.....	B-14		
CLUTCH.....	E-02	FOOTREST.....	G-05	FUEL COCK.....	G-14	LABEL.....	J-04	REAR FENDER.....	I-02	STARTING MOTOR.....	E-10		

FIG. 43

I 4

FIG. 43 (1- 4) COWLING BODY (MODEL P #18)



REF. NO.	PART NO.	DESCRIPTION	Q'TY	REMARKS
1	94400-17E30-1KX	COWLING ASSY, BODY (WHITE)	1	
2	68270-17E20-A7L	.TAPE SET, FRONT	1	
3	68280-17E11-1LE	.TAPE SET, SIDE	1	
4	94415-17E00	PANEL, UPPER RH	1	
5	94425-17E00	PANEL, UPPER LH	1	
6	94407-46E00-1LE	COWLING ASSY, UNDER RH (BLUE)	1	
7	68180-46E00-A5S	.TAPE SET, UNDER RH	1	
8	68181-46F00-14B	.EMBLEM, 1100	1	
9	68181-46E10-A6D	.EMBLEM	1	
10	94408-46E00-1LE	COWLING ASSY, UNDER LH (BLUE)	1	
11	68190-46E00-A5S	.TAPE SET, UNDER LH	1	
12	68181-46F00-14B	.EMBLEM, 1100	1	
13	68181-46E10-A6D	.EMBLEM	1	
14	94416-46E00	PANEL, LOWER RH	1	
15	94426-46E00	PANEL, LOWER LH	1	
16	94461-46E00-019	COWLING, UNDER INNER RH (BLACK)	1	
17	94452-46E00-019	COWLING, UNDER INNER LH (BLACK)	1	
18	94498-46E00-019	COWLING, UNDER CENTER (BLACK)	1	
19-1	94610-46E00	SCREEN SET, WIND	1	-94610-46E01
19-2	94610-46E01	SCREEN SET, WIND	1	WITH CLIP 94637-21E00 (2PCS)
20	94631-18D01	.MOLDING	1	L:800-L:800
21	94418-17E00	CUSHION, POSITION LAMP	1	

COLOR : #18=0JW (WHITE), 1LE (BLUE)

REFER TO FIG. 44 (1- 5) FOR MODEL P FOR 17U
 REFER TO FIG. 44A (1- 6) FOR MODEL R #18
 REFER TO FIG. 44B (1- 7) FOR MODEL R 33J
 REFER TO FIG. 45 (1- 8) FOR INSTALLATION PARTS
 REFER TO FIG. 46 (1-10) FOR MODEL S
 REFER TO FIG. 46A (1-12) FOR MODEL T
 REFER TO FIG. 46B (1-14) FOR MODEL V/W
 REFER TO FIG. 47 (J- 2) FOR INSTALLATION PARTS

GSX-R1100WW E28

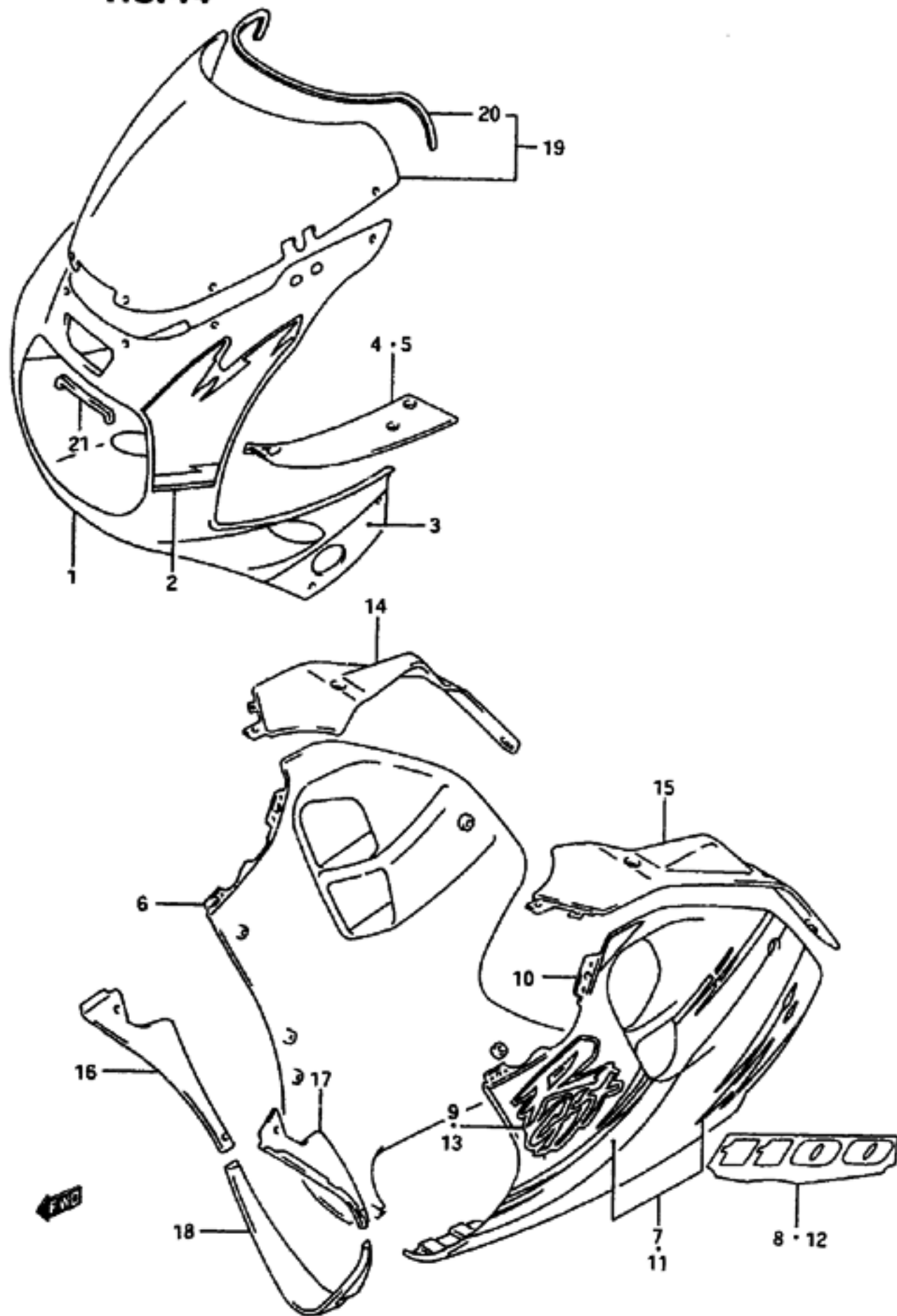
90

AIR CLEANER.....	C-11	COWLING BODY.....	I-04	FRAME COVER.....	H-02	FUEL TANK.....	G-09	MUFFLER.....	D-02	REAR MASTER CYLINDER	L-11	STEERING DAMPER.....	K-05
ALTERNATOR.....	E-11	CRANKCASE COVER.....	B-09	FRAME.....	G-02	GEAR SHIFTING.....	E-08	OIL COOLER.....	D-04	REAR SWINGING ARM..	L-02	STEERING STEN.....	K-04
BATTERY.....	F-02	CRANKCASE.....	B-06	FRONT BRAKE HOSE...	K-10	HANDLE LEVER.....	H-14	OIL PAN - OIL PUMP..	B-10	REAR WHEEL.....	L-04	TAIL LAMP.....	F-10
CAM CHAIN.....	C-04	CRANKSHAFT.....	B-12	FRONT CALIPERS.....	K-08	HANDLE SWITCH.....	F-13	OPTIONAL.....	L-13	SEAT.....	J-05	TRANSMISSION.....	E-06
CAM SHAFT - VALVE..	C-02	CYLINDER HEAD COVER	B-02	FRONT DAMPER.....	K-02	HANDLEBAR.....	H-14	RADIATOR HOSE.....	D-07	SIGNAL GENERATOR...	E-15	TURNSIGNAL LAMP....	F-09
CARBURETOR FITTINGS	C-09	CYLINDER HEAD.....	B-03	FRONT FENDER.....	H-13	HEADLAMP.....	F-07	RADIATOR.....	D-04	SPEEDOMETER.....	F-04	WATER PUMP.....	D-05
CARBURETOR.....	C-05	CYLINDER.....	B-05	FRONT MASTER CYLIND	K-12	INSTALLATION PARTS..	I-08	REAR CALIPER.....	L-09	STAND.....	G-04	WIRING HARNESS....	F-21
CLUTCH MASTER CYLIN	K-14	ELECTRICAL.....	F-03	FRONT WHEEL.....	K-06	INSTALLATION PARTS..	J-02	REAR CUSHION LEVER..	L-04	STARTER CLUTCH.....	B-14		
CLUTCH.....	E-02	FOOTREST.....	G-05	FUEL COCK.....	G-14	LABEL.....	J-04	REAR FENDER.....	I-02	STARTING MOTOR.....	E-10		

FIG. 44

I 5

FIG. 44 (1- 5) COWLING BODY (MODEL P 17U)



REF. NO.	PART NO.	DESCRIPTION	Q'TY	REMARKS
1	94400-46E10-33J	COWLING ASSY, BODY (BLACK)	1	
2	68270-17E20-A7E	.TAPE SET, FRONT	1	
3	68280-46E01-17U	.TAPE SET, SIDE	1	
4	94415-17E00	PANEL, UPPER RH	1	
5	94425-17E00	PANEL, UPPER LH	1	
6	94407-46E10-17U	COWLING ASSY, UNDER RH (GRAY)	1	
7	68180-46E10-A7E	.TAPE SET, UNDER RH	1	
8	68181-46E00-33J	.EMBLEM, 1100	1	
9	68181-46E10-A7G	.EMBLEM	1	
10	94408-46E10-17U	COWLING ASSY, UNDER LH (GRAY)	1	
11	68190-46E10-A7E	.TAPE SET, UNDER LH	1	
12	68181-46E00-33J	.EMBLEM, 1100	1	
13	68181-46E10-A7G	.EMBLEM	1	
14	94416-46E00	PANEL, LOWER RH	1	
15	94426-46E00	PANEL, LOWER LH	1	
16	94461-46E00-019	COWLING, UNDER INNER RH (BLACK)	1	
17	94462-46E00-019	COWLING, UNDER INNER LH (BLACK)	1	
18	94498-46E00-019	COWLING, UNDER CENTER (BLACK)	1	
19-1	94610-46E00	SCREEN SET, WIND	1	-94610-46E01
19-2	94610-46E01	SCREEN SET, WIND	1	WITH CLIP 94637-21E00 (2PCS)
20	94631-18D01	.MOLDING	1	L:800-L:600
21	94418-17E00	CUSHION, POSITION LAMP	1	

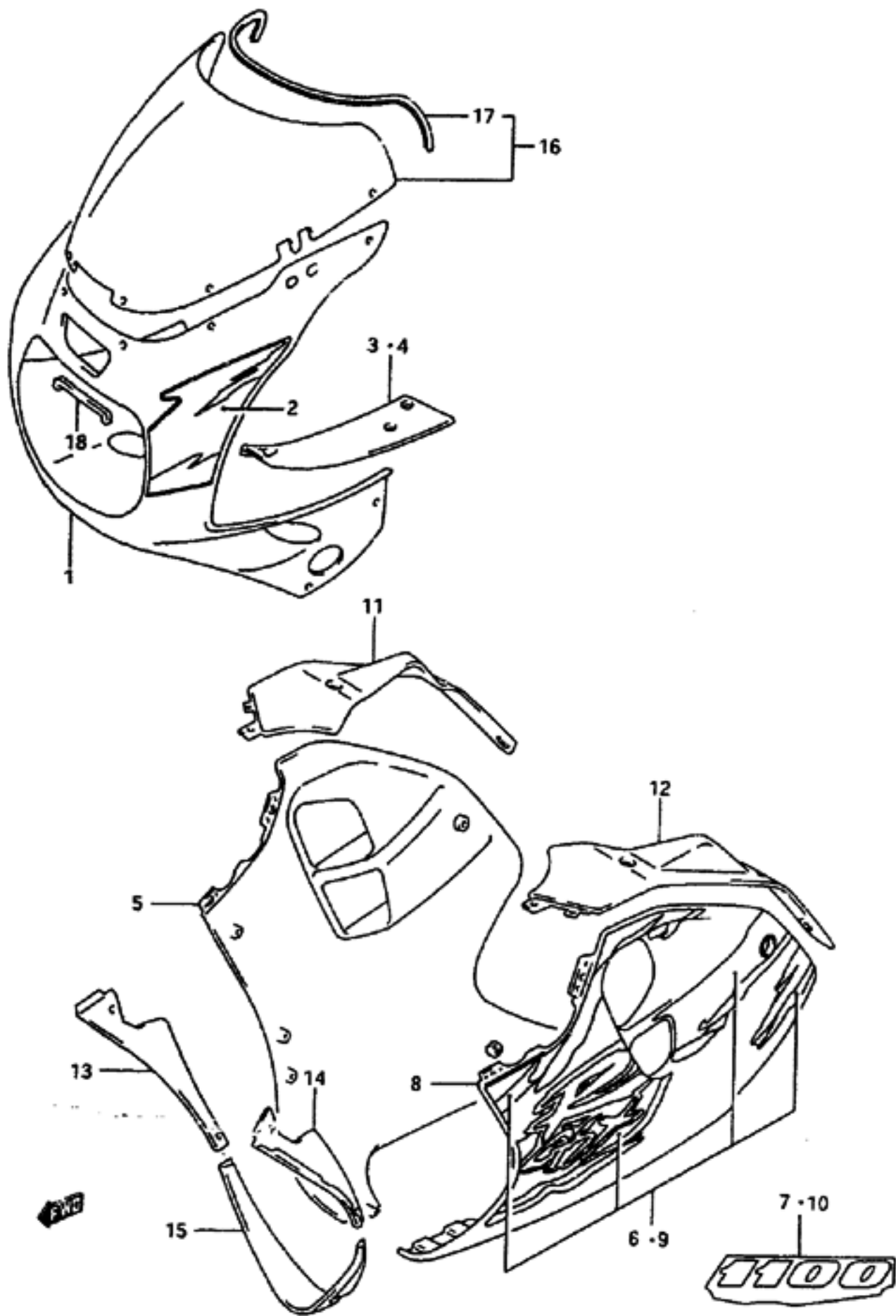
COLOR : 17U(GRAY)

REFER TO FIG. 44A(1- 6) FOR MODEL R M18
 REFER TO FIG. 44B(1- 7) FOR MODEL R 33J
 REFER TO FIG. 45 (1- 8) FOR INSTALLATION PARTS
 REFER TO FIG. 46 (1-10) FOR MODEL S
 REFER TO FIG. 46A(1-12) FOR MODEL T
 REFER TO FIG. 46B(1-14) FOR MODEL V/W
 REFER TO FIG. 47 (J- 2) FOR INSTALLATION PARTS

GSX-R1100NW E28

AIR CLEANER..... C-11	COWLING BODY..... I-04	FRAME COVER..... H-02	FUEL TANK..... G-09	MUFFLER..... D-02	REAR MASTER CYLINDER L-11	STEERING DAMPER..... K-05
ALTERNATOR..... E-11	CRANKCASE COVER... B-09	FRAME..... G-02	GEAR SHIFTING..... E-08	OIL COOLER..... D-04	REAR SWINGING ARM.. L-02	STEERING STEM..... K-04
BATTERY..... F-02	CRANKCASE..... B-06	FRONT BRAKE HOSE... K-10	HANDLE LEVER..... H-16	OIL PAN - OIL PUMP. B-10	REAR WHEEL..... L-06	TAIL LAMP..... F-10
CAM CHAIN..... C-04	CRANKSHAFT..... B-12	FRONT CALIPERS..... K-08	HANDLE SWITCH..... F-13	OPTIONAL..... L-13	SEAT..... J-05	TRANSMISSION..... E-06
CAM SHAFT - VALVE.. C-02	CYLINDER HEAD COVER B-02	FRONT DAMPER..... K-02	HANDLEBAR..... H-14	RADIATOR HOSE..... D-07	SIGNAL GENERATOR... E-15	TURN SIGNAL LAMP... F-09
CARBURETOR FITTINGS C-09	CYLINDER HEAD..... B-03	FRONT FENDER..... H-13	HEADLAMP..... F-07	RADIATOR..... D-06	SPEEDOMETER..... F-04	WATER PUMP..... D-05
CARBURETOR..... C-05	CYLINDER..... B-05	FRONT MASTER CYLINDER K-12	INSTALLATION PARTS. I-08	REAR CALIPER..... L-09	STAND..... G-04	WIRING HARNESS..... F-11
CLUTCH MASTER CYLINDER K-14	ELECTRICAL..... F-03	FRONT WHEEL..... K-06	INSTALLATION PARTS. J-02	REAR CUSHION LEVER. L-04	STARTER CLUTCH..... B-14	
CLUTCH..... E-02	FOOTREST..... G-05	FUEL COCK..... G-14	LABEL..... J-04	REAR FENDER..... I-02	STARTING ROTOR..... E-10	

FIG.44A



I 6

FIG.44A(1- 8) COWLING BODY (MODEL R M18)

REF. NO.	PART NO.	DESCRIPTION	Q'TY	REMARKS
1	94400-46E20-0JW	COWLING ASSY, BODY (WHITE)	1	
2	68270-46E00-C3T	.TAPE SET, BODY	1	
3	94415-17E00	PANEL, UPPER RH	1	
4	94425-17E00	PANEL, UPPER LH	1	
5	94407-46E20-1LE	COWLING ASSY, UPPER RH (BLUE)	1	
6	68180-46E20-1WJ	.TAPE SET, UNDER RH	1	
7	68181-46E00-1WE	.EMBLEM, 1100	1	
8	94408-46E20-1LE	COWLING ASSY, UNDER LH (BLUE)	1	
9	68190-46E20-1WJ	.TAPE SET, UNDER LH	1	
10	68181-46E00-1WE	.EMBLEM, 1100	1	
11	94416-46E00	PANEL, LOWER RH	1	
12	94426-46E00	PANEL, LOWER LH	1	
13	94461-46E00-019	COWLING, UNDER INNER RH (BLACK)	1	
14	94462-46E00-019	COWLING, UNDER INNER LH (BLACK)	1	
15	94498-46E00-019	COWLING, UNDER CENTER (BLACK)	1	
16-1	94610-46E00	SCREEN SET, WIND	1	-94610-46E01
16-2	94610-46E01	SCREEN SET, WIND	1	WITH CLIP 94637-21E00 (2PCS)
17	94631-18D01	.MOLDING	1	L:800-600
18	94418-17E00	CUSHION, POSITION LAMP	1	

COLOR : M18 = 0JW(WHITE), 1LE(BLUE)

REFER TO FIG.44B(1- 7) FOR MODEL R 33J
 REFER TO FIG.45 (1- 8) FOR INSTALLATION PARTS
 REFER TO FIG.46 (1-10) FOR MODEL S
 REFER TO FIG.46A(1-12) FOR MODEL T
 REFER TO FIG.46B(1-14) FOR MODEL V/W
 REFER TO FIG.47 (J- 2) FOR INSTALLATION PARTS

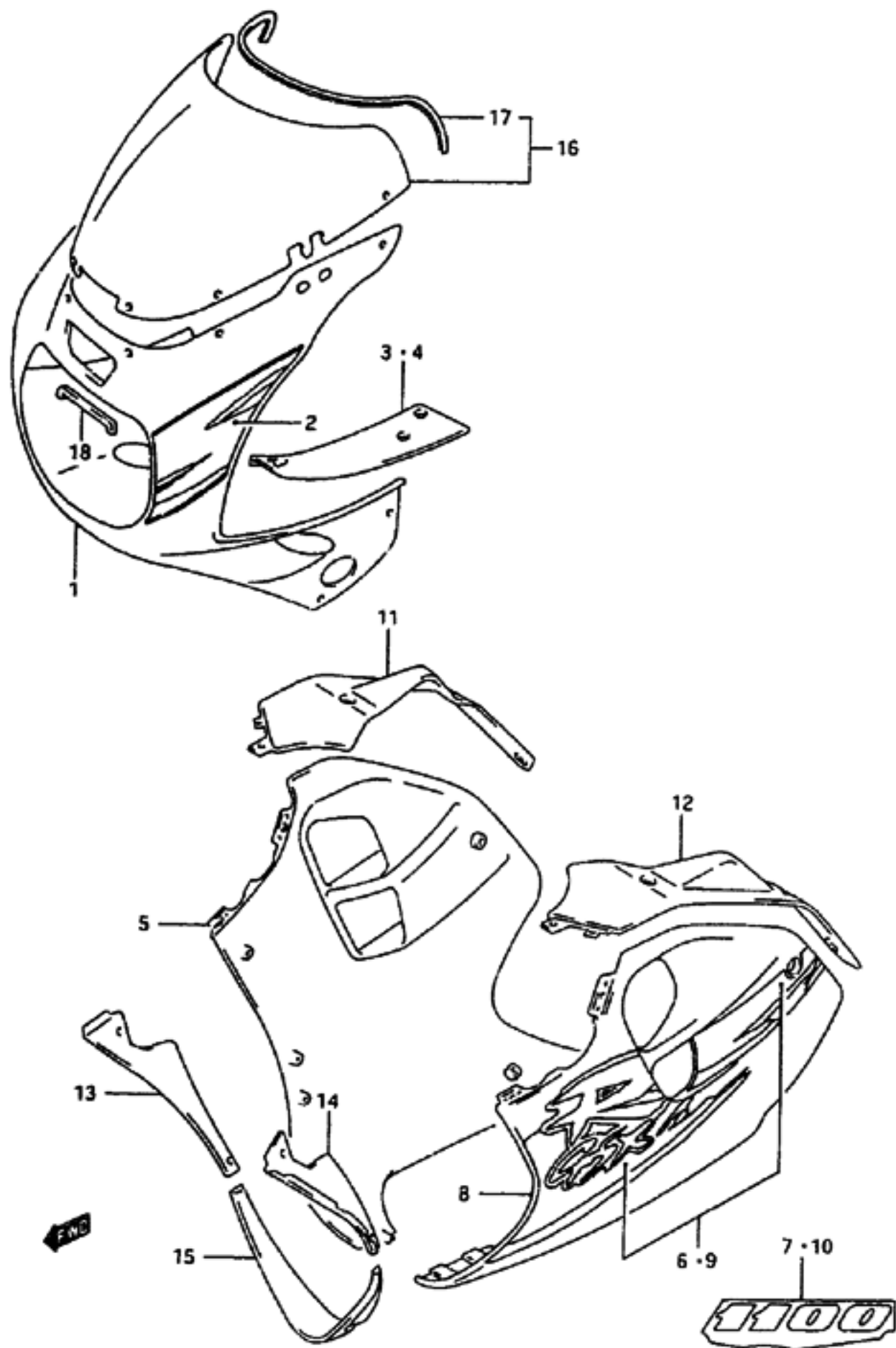
GSX-R1100MW E28

92

AIR CLEANER.....	C-11	COWLING BODY.....	I-04	FRAME COVER.....	H-02	FUEL TANK.....	G-09	MUFFLER.....	D-02	REAR MASTER CYLINDER	L-11	STEERING DAMPER.....	K-05
ALTERNATOR.....	E-11	CRANKCASE COVER....	B-09	FRAME.....	G-02	GEAR SHIFTING.....	E-08	OIL COOLER.....	D-04	REAR SWINGING ARM..	L-02	STEERING STEN.....	K-04
BATTERY.....	F-02	CRANKCASE.....	B-06	FRONT BRAKE HOSE...	K-10	HANDLE LEVER.....	H-16	OIL PAN - OIL PUMP..	B-10	REAR WHEEL.....	L-06	TAIL LAMP.....	F-10
CAM CHAIN.....	C-04	CRANKSHAFT.....	B-12	FRONT CALIPERS.....	K-08	HANDLE SWITCH.....	F-13	OPTIONAL.....	L-13	SEAT.....	J-05	TRANSMISSION.....	E-06
CAM SHAFT - VALVE..	C-02	CYLINDER HEAD COVER	B-02	FRONT DAMPER.....	K-02	HANDLEBAR.....	H-14	RADIATOR HOSE.....	D-07	SIGNAL GENERATOR...	E-15	TURN SIGNAL LAMP...	F-09
CARBURETOR FITTINGS	C-09	CYLINDER HEAD.....	B-03	FRONT FENDER.....	H-13	HEADLAMP.....	F-07	RADIATOR.....	D-06	SPEEDOMETER.....	F-04	WATER PUMP.....	D-05
CARBURETOR.....	C-05	CYLINDER.....	B-05	FRONT MASTER CYLIND	K-12	INSTALLATION PARTS..	I-08	REAR CALIPER.....	L-09	STAND.....	G-04	.RING HARNESS.....	F-11
CLUTCH MASTER CYLIN	K-14	ELECTRICAL.....	F-03	FRONT WHEEL.....	K-06	INSTALLATION PARTS..	J-02	REAR CUSHION LEVER..	L-04	STARTER CLUTCH.....	B-14		
CLUTCH.....	E-02	FOOTREST.....	G-05	FUEL COCK.....	G-14	LABEL.....	J-04	REAR FENDER.....	I-02	STARTING MOTOR.....	E-10		

FIG. 44B

FIG. 44B(1- 7) COWLING BODY (MODEL R 33J)



REF. NO.	PART NO.	DESCRIPTION	Q'TY	REMARKS
1	94400-46E30-33J	COWLING ASSY, BODY (BLACK)	1	
2	68270-46E10-C3W	.TAPE SE*, BODY	1	
3	94415-17E00	PANEL, UPPER RH	1	
4	94425-17E00	PANEL, UPPER LH	1	
5	94407-46E30-33J	COWLING ASSY, UNDER RH (BLACK)	1	
6	68180-46E30-1WK	.TAPE SET, UNDER RH	1	
7	68181-46E00-17U	.EMBLEM, 1100	1	
8	94408-46E30-33J	COWLING ASSY, UNDER LH (BLACK)	1	
9	68190-46E30-1WK	.TAPE SET, UNDER LH	1	
10	68181-46E00-17U	.EMBLEM, 1100	1	
11	94416-46E00	PANEL, LOWER RH	1	
12	94426-46E00	PANEL, LOWER LH	1	
13	94461-46E00-019	COWLING, UNDER INNER RH (BLACK)	1	
14	94462-46E00-019	COWLING, UNDER INNER LH (BLACK)	1	
15	94498-46E00-019	COWLING, UNDER CENTER (BLACK)	1	
16-1	94610-46E00	SCREEN SET, WIND	1	-94610-46E01
16-2	94610-46E01	SCREEN SET, WIND	1	WITH CLIP 94637-21E00 (2PCS)
17	94631-18001	.MOLDING	1	L: 800-600
18	94418-17E00	CUSHION, POSITION LAMP	1	

COLOR : 33J (BLACK)

REFER TO FIG. 45 (1- 8) FOR INSTALLATION PARTS
 REFER TO FIG. 46 (1-10) FOR MODEL S
 REFER TO FIG. 46A(1-12) FOR MODEL T
 REFER TO FIG. 46C(1-14) FOR MODEL V/W
 REFER TO FIG. 47 (J- 2) FOR INSTALLATION PARTS

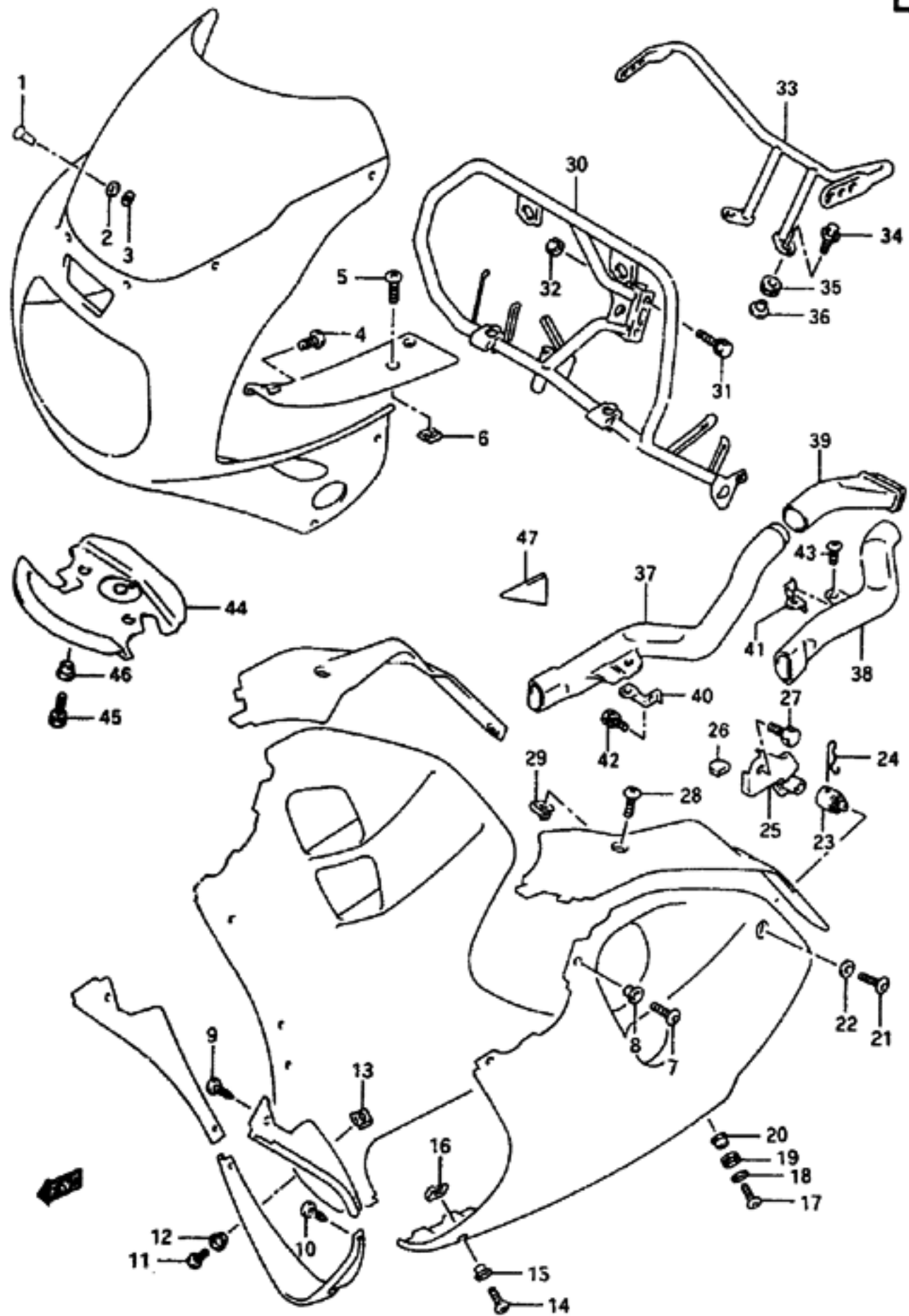
GSX-R1100W E28

AIR CLEANER..... C-11	COWLING BODY..... I-04	FRAME COVER..... H-02	FUEL TANK..... G-09	MUFFLER..... D-02	REAR MASTER CYLINDER..... L-11	STEERING DAMPER..... K-05
ALTERNATOR..... E-11	CRANKCASE COVER... B-09	FRAME..... G-02	GEAR SHIFTING..... E-08	OIL COOLER..... D-04	REAR SWINGING ARM... L-02	STEERING STEN..... K-04
BATTERY..... F-02	CRANKCASE..... B-06	FRONT BRAKE HOSE... K-10	HANDLE LEVER..... H-16	OIL PAN - OIL PUMP. B-10	REAR WHEEL..... L-06	TAIL LAMP..... F-10
CAM CHAIN..... C-04	CRANKSHAFT..... B-12	FRONT CALIPERS..... K-08	HANDLE SWITCH..... F-13	OPTIONAL..... L-15	SEAT..... J-05	TRANSMISSION..... E-06
CAM SHAFT - VALVE.. C-02	CYLINDER HEAD COVER B-02	FRONT DAMPER..... K-02	HANDLEBAR..... H-14	RADIATOR HOSE..... D-07	SIGNAL GENERATOR... E-15	TURN SIGNAL LAMP... F-09
CARBURETOR FITTINGS C-09	CYLINDER HEAD..... B-03	FRONT FENDER..... H-13	HEADLAMP..... F-07	RADIATOR..... D-04	SPEEDOMETER..... F-04	WATER PUMP..... D-05
CARBURETOR..... C-05	CYLINDER..... B-05	FRONT MASTER CYLINDER K-12	INSTALLATION PARTS. I-08	REAR CALIPER..... L-09	STAND..... G-04	WIRING HARNESS..... F-11
CLUTCH MASTER CYLINDER K-14	ELECTRICAL..... F-03	FRONT WHEEL..... K-06	INSTALLATION PARTS. J-02	REAR CUSHION LEVER. L-04	STARTER CLUTCH..... B-14	
CLUTCH..... E-02	FOOTREST..... G-05	FUEL COCK..... G-14	LABEL..... J-04	REAR FENDER..... I-02	STARTING MOTOR..... E-10	

FIG. 45

18

FIG. 45 (1- 8) INSTALLATION PARTS (MODEL P/R)



REF. NO.	PART NO.	DESCRIPTION	Q'TY	REMARKS
1	94616-22000	PIN, SCREEN (4X11)	6	
2	09320-04007	CUSHION	6	
3	09148-04032	NUT	6	
4-1	02142-05124	SCREW, PANEL FRONT (5X12)	2	MODEL P
4-2	02142-05123	SCREW, PANEL FRONT (5X12)	2	MODEL R
5-1	03242-05124	SCREW, PANEL REAR (5X12)	2	MODEL P
5-2	03241-05123	SCREW, PANEL REAR (5X12)	2	MODEL R
6	09148-05013	NUT	2	
7	09139-05032	SCREW, COWLING (5X18)	4	
8	09161-05018	WASHER	4	
9-1	03541-05108	SCREW, UNDER INNER (5X10)	4	MODEL P
9-2	03541-05103	SCREW, UNDER INNER (5X10)	4	MODEL R
10-1	03541-05108	SCREW, UNDER LH (5X10)	1	MODEL P
10-2	03541-05103	SCREW, UNDER LH (5X10)	1	MODEL R
11	09139-05032	SCREW, UNDER RH (5X18)	2	
12	09161-05017	WASHER	2	
13	94484-32800	NUT	2	
14	09139-05032	SCREW, UNDER LH (5X18)	1	
15	09161-05017	WASHER	1	
16	94484-32800	NUT	1	
17	09139-06029	SCREW, UNDER (6X25)	2	
18	09160-06056	WASHER	2	
19	09320-09016	CUSHION	2	
20	09169-06062	WASHER	2	
21	09139-06028	SCREW, UNDER REAR (6X20)	2	
22	09160-06053	WASHER	2	
23	94520-12000	PLUG, UNDER COWLING	2	
24	94523-12000	PIN, PLUG	2	
25-1	94530-17E01	BRACE, UNDER RH	1	
25-2	94540-17E01	BRACE, UNDER LH	1	
26	94551-17E00	CUSHION, BRACE	2	
27-1	01137-06125	BOLT (6X12)	2	MODEL P
27-2	01570-06123	BOLT (6X12)	2	MODEL R

REFER TO FIG. 47(J- 2) FOR MODEL S/T/V/W

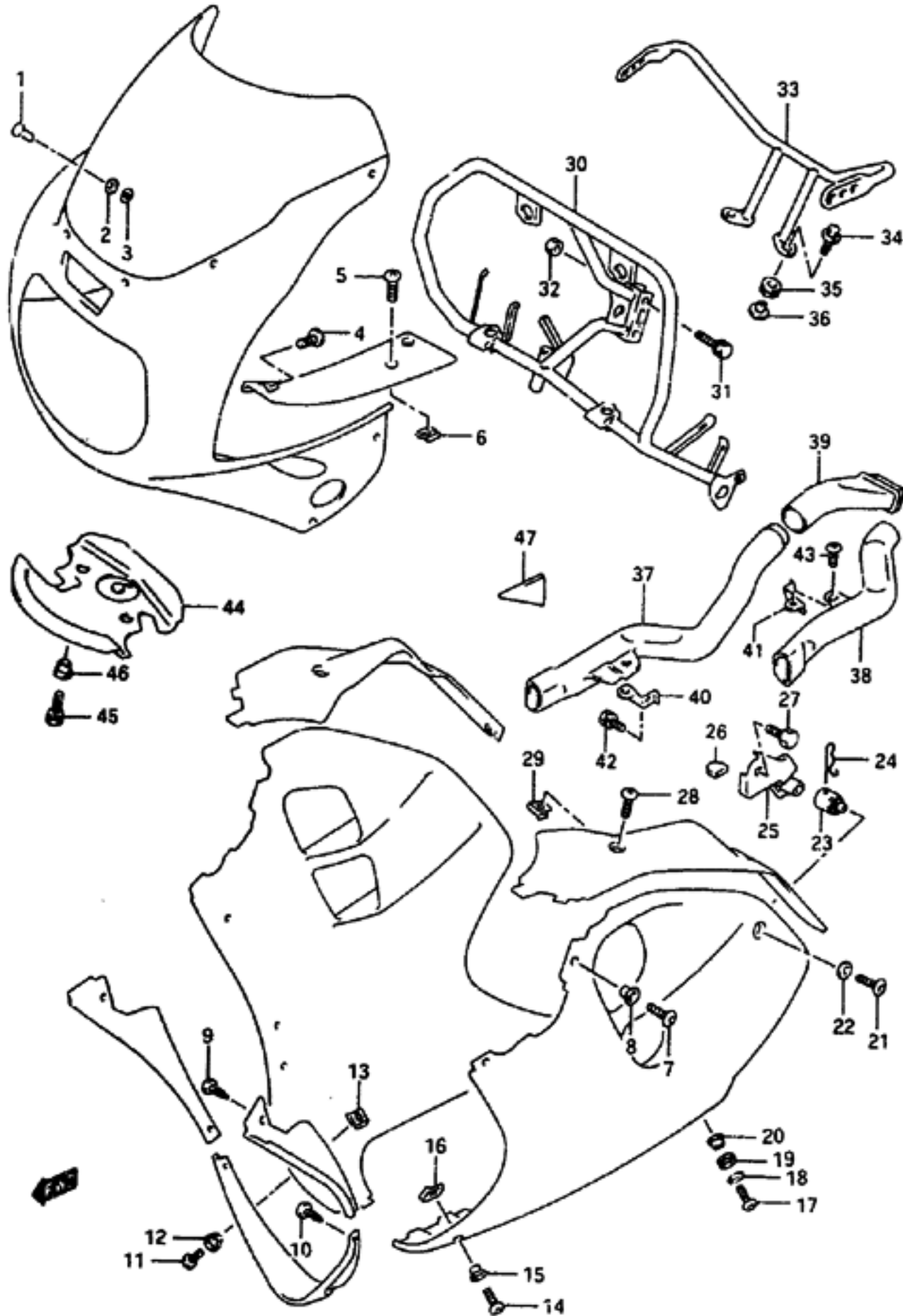
GSX-R1100W E28

94

AIR CLEANER.....	C-11	COWLING BODY.....	I-04	FRAME COVER.....	H-02	FUEL TANK.....	G-09	MUFFLER.....	D-02	REAR MASTER CYLINDER	L-11	STEERING DAMPER.....	K-05
ALTERNATOR.....	E-11	CRANKCASE COVER.....	B-09	FRAME.....	G-02	GEAR SHIFTING.....	E-08	OIL COOLER.....	D-04	REAR SWINGING ARM..	L-02	STEERING STEM.....	K-04
BATTERY.....	F-02	CRANKCASE.....	B-06	FRONT BRAKE HOSE...	K-18	HANDLE LEVER.....	H-16	OIL PAN - OIL PUMP..	B-10	REAR WHEEL.....	L-06	TAIL LAMP.....	F-10
CAM CHAIN.....	C-04	CRANKSHAFT.....	B-12	FRONT CALIPERS.....	K-08	HANDLE SWITCH.....	F-13	OPTIONAL.....	L-13	SEAT.....	J-05	TRANSMISSION.....	E-06
CAM SHAFT - VALVE..	C-02	CYLINDER HEAD COVER	B-02	FRONT DAMPER.....	K-02	HANDLEBAR.....	H-14	RADIATOR NOSE.....	D-07	SIGNAL GENERATOR...	E-15	TURNSIGNAL LAMP....	F-09
CARBURETOR FITTINGS	C-09	CYLINDER HEAD.....	B-03	FRONT FENDER.....	H-15	HEADLAMP.....	F-07	RADIATOR.....	D-06	SPEEDOMETER.....	F-04	WATER PUMP.....	D-05
CARBURETOR.....	C-05	CYLINDER.....	B-05	FRONT MASTER CYLIND	K-12	INSTALLATION PARTS..	I-08	REAR CALIPER.....	L-09	STAND.....	G-04	MIRING HARNESS....	F-11
CLUTCH MASTER CYLIN	K-14	ELECTRICAL.....	F-03	FRONT WHEEL.....	K-06	INSTALLATION PARTS..	J-02	REAR CUSHION LEVER..	L-04	STARTER CLUTCH.....	B-14		
CLUTCH.....	E-02	FOOTREST.....	G-05	FUEL COCK.....	G-14	LABEL.....	J-04	REAR FENDER.....	I-02	STARTING ROTOR.....	E-10		

FIG. 45

FIG. 45 (1- 9) INSTALLATION PARTS (MODEL P/R)



REF. NO.	PART NO.	DESCRIPTION	Q'TY	REMARKS
28-1	03242-05124	SCREW, PANEL LOWER (5X12)	8	MODEL P
28-2	03241-05123	SCREW, PANEL LOWER (5X12)	8	MODEL R
29	09148-05013	NUT	8	
30	94510-46E00	BRACE, COWLING	1	
31-1	01137-08358	BOLT, BRACE (8X35)	2	MODEL P
31-2	01570-08353	BOLT, BRACE (8X35)	2	MODEL R
32-1	08313-20087	NUT	1	MODEL P
32-2	08313-20083	NUT	1	MODEL R
33	94520-46E00	BRACE, COWLING REAR	1	
34	09116-06143	BOLT, BRACE (6X20)	2	
35	09320-09009	CUSHION	2	
36	09169-06062	WASHER	2	
37	94451-46E00	PIPE, AIR INTAKE RH	1	
38	94452-46E00	PIPE, AIR INTAKE LH	1	
39	94453-46E00	PIPE, AIR INTAKE REAR RH	1	
40	94454-17E01	BRACKET, AIR INTAKE RH	1	
41	94455-17E01	BRACKET, AIR INTAKE LH	1	
42-1	01137-06125	BOLT, BRACKET (6X12)	2	MODEL P
42-2	01550-06123	BOLT, BRACKET (6X12)	2	MODEL R
43-1	02142-06125	SCREW, AIR INTAKE (6X12)	2	MODEL P
43-2	02142-06123	SCREW, AIR INTAKE (6X12)	2	MODEL R
44	94457-46E00	COVER, COWLING FRONT	1	
45-1	01137-06165	BOLT, COVER (6X16)	2	MODEL P
45-2	01570-06163	BOLT, COVER (6X16)	2	MODEL R
46	09169-06041	WASHER	2	
47	94476-46E00	CUSHION, AIR INTAKE RH	1	

REFER TO FIG. 47(J- 2) FOR MODEL S/T/V/W

GSX-R1100NW E28

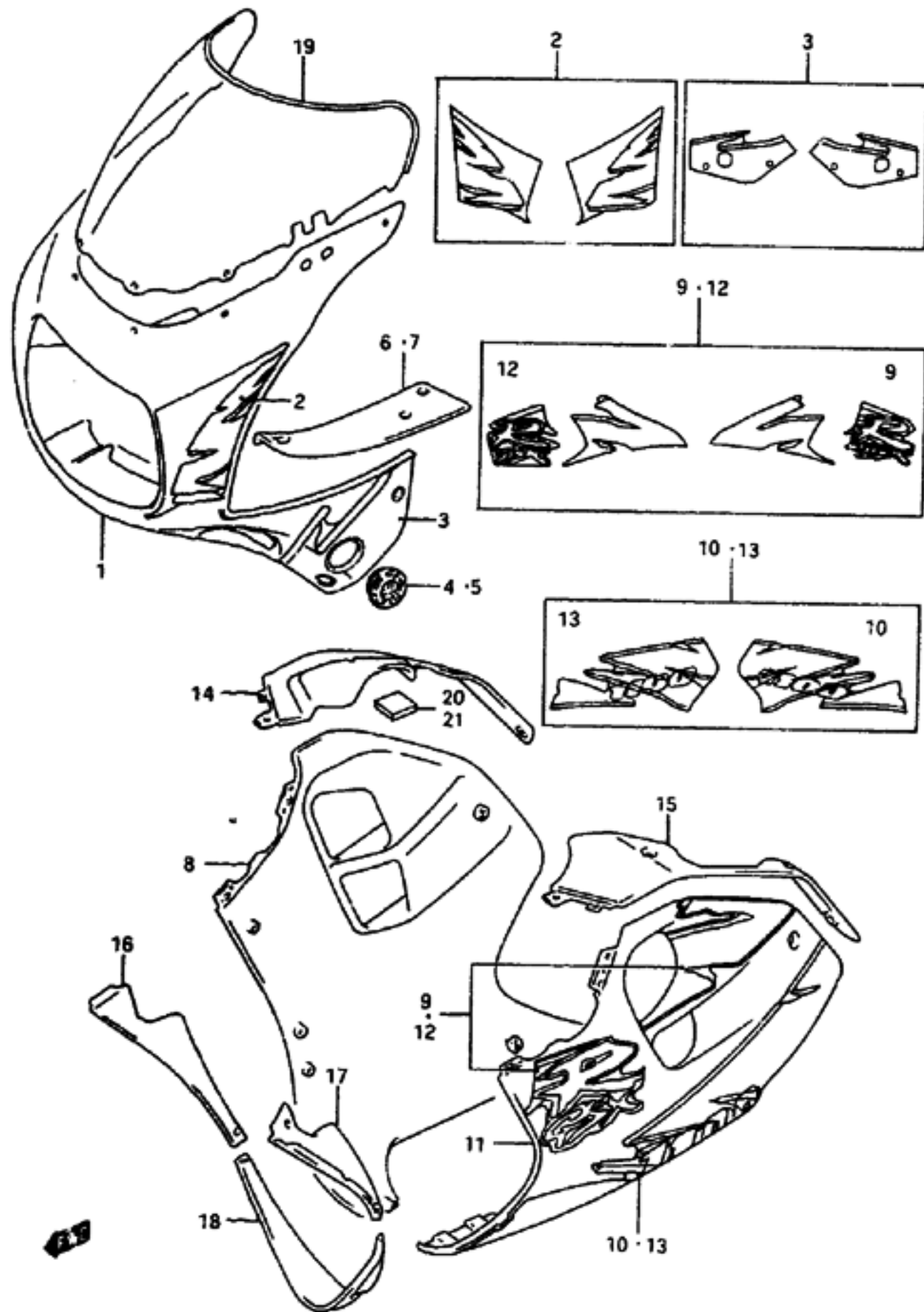
95

AIR CLEANER.....	C-11	COWLING BODY.....	I-04	FRAME COVER.....	H-02	FUEL TANK.....	G-09	MUFFLER.....	D-02	REAR MASTER CYLINDER.....	L-11	STEERING DAMPER.....	K-05
ALTERNATOR.....	E-11	CRANKCASE COVER.....	B-09	FRAME.....	G-02	GEAR SHIFTING.....	E-08	OIL COOLER.....	D-04	REAR SWINGING ARM.....	L-02	STEERING STEM.....	K-06
BATTERY.....	F-02	CRANKCASE.....	B-06	FRONT BRAKE HOSE.....	K-10	HANDLE LEVER.....	H-16	OIL PAN - OIL PUMP.....	B-10	REAR WHEEL.....	L-06	TAIL LAMP.....	F-10
CAN CHAIN.....	C-04	CRANKSHAFT.....	B-12	FRONT CALIPERS.....	K-08	HANDLE SWITCH.....	F-13	OPTIONAL.....	L-13	SEAT.....	J-05	TRANSMISSION.....	E-06
CAN SHAFT - VALVE.....	C-02	CYLINDER HEAD COVER.....	B-02	FRONT DAMPER.....	K-02	HANDLEBAR.....	H-14	RADIATOR HOSE.....	D-07	SIGNAL GENERATOR.....	E-15	TURN SIGNAL LAMP.....	F-09
CARBURETOR FITTINGS.....	C-09	CYLINDER HEAD.....	B-03	FRONT FENDER.....	H-13	HEADLAMP.....	F-07	RADIATOR.....	D-04	SPEEDOMETER.....	F-04	WATER PUMP.....	D-05
CARBURETOR.....	C-05	CYLINDER.....	B-05	FRONT MASTER CYLINDER.....	K-12	INSTALLATION PARTS.....	I-08	REAR CALIPER.....	L-09	STAND.....	G-04	WIRING HARNESS.....	F-11
CLUTCH MASTER CYLINDER.....	K-14	ELECTRICAL.....	F-03	FRONT WHEEL.....	K-06	INSTALLATION PARTS.....	J-02	REAR CUSHION LEVER.....	L-04	STARTER CLUTCH.....	B-14		
CLUTCH.....	E-02	FOOTREST.....	G-05	FUEL COCK.....	G-14	LABEL.....	J-04	REAR FENDER.....	I-02	STARTING MOTOR.....	E-10		

FIG. 46

I 10

FIG. 46 (I-10) COWLING BODY (MODEL S)



REF. NO.	PART NO.	DESCRIPTION	Q'TY	REMARKS
1-1	94400-17E00-0JW	COWLING ASSY, BODY (WHITE)	1	FOR M18
1-2	94400-17E00-2VX	COWLING ASSY, BODY (BLACK)	1	FOR A6G
1-3	94400-17E00-33J	COWLING ASSY, BODY (BLACK)	1	FOR C3R
2-1	68270-17E50-D4H	.TAPE SET, BODY FRONT	1	FOR 0JW
2-2	68270-17E50-D6A	.TAPE SET, BODY FRONT	1	FOR 2VX
2-3	63270-17E50-D6B	.TAPE SET, BODY FRONT	1	FOR 33J
3-1	68280-17E20-D4G	.TAPE SET, BODY SIDE	1	FOR 0JW
3-2	68280-17E20-D5Y	.TAPE SET, BODY SIDE	1	FOR 2VX
3-3	68280-17E20-D5Z	.TAPE SET, BODY SIDE	1	FOR 33J
4	94416-17E20	.PLATE, TURN SIGNAL, RH	1	
5	94417-17E20	.PLATE, TURN SIGNAL, LH	1	
6	94415-17E20	PANEL, UPPER RH	1	
7	94425-17E20	PANEL, UPPER LH	1	
8-1	94407-46E40-1LE	COWLING, UNDER RH (BLUE)	1	FOR M18
8-2	94407-46E40-1TY	COWLING, UNDER RH (RED)	1	FOR A6G
8-3	94407-46E40-1TU	COWLING, UNDER RH (PURPLE)	1	FOR C3R
9-1	68180-46E40-Y76	.TAPE SET, UNDER RH	1	FOR 1LE
9-2	68180-46E40-Y77	.TAPE SET, UNDER RH	1	FOR 1TY
9-3	68180-46E40-Y78	.TAPE SET, UNDER RH	1	FOR 1TU
10-1	68185-46E00-D6C	.TAPE, UNDER RH	1	FOR 1LE
10-2	68185-46E00-D6D	.TAPE, UNDER RH	1	FOR 1TY
10-3	68185-46E00-D6E	.TAPE, UNDER RH	1	FOR 1TU
11-1	94408-46E40-1LE	COWLING, UNDER LH (BLUE)	1	FOR M18
11-2	94408-46E40-1TY	COWLING, UNDER LH (RED)	1	FOR A6G
11-3	94408-46E40-1TU	COWLING, UNDER LH (PURPLE)	1	FOR C3R
12-1	68190-46E40-Y76	.TAPE SET, UNDER LH	1	FOR 1LE
12-2	68190-46E40-Y77	.TAPE SET, UNDER LH	1	FOR 1TY
12-3	68190-46E40-Y78	.TAPE SET, UNDER LH	1	FOR 1TU

COLOR : M18 = 0JW (WHITE), 1LE (BLUE)
 COLOR : A6G = 33J (BLACK), 1TY (RED)
 COLOR : C3R = 33J (BLACK), 1TU (PURPLE)

REFER TO FIG. 46A (I-12) FOR MODEL T
 REFER TO FIG. 46B (I-14) FOR MODEL V/W
 REFER TO FIG. 47 (J-2) INSTALLATION PARTS

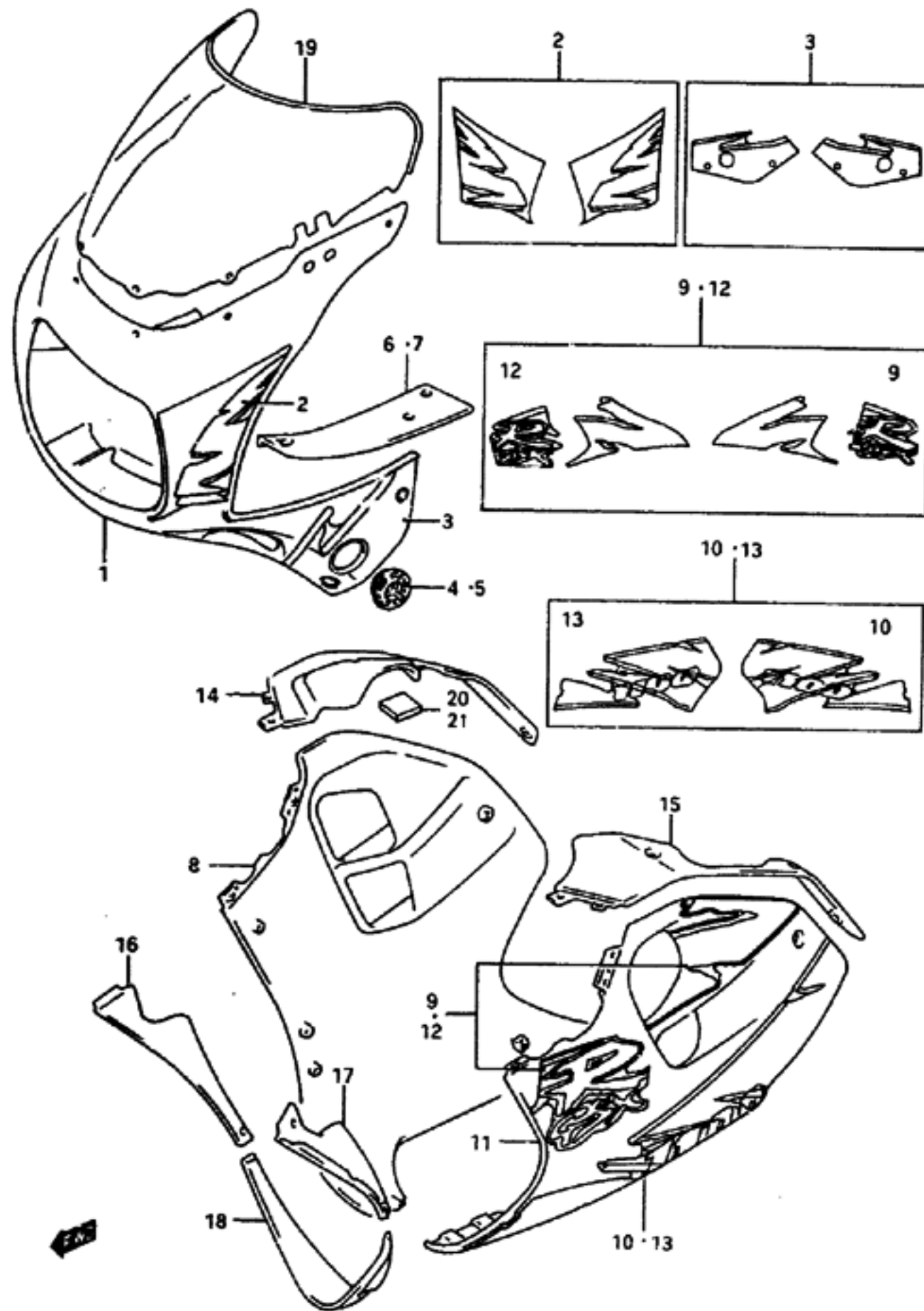
GSX-R1100WW E28
 96

AIR CLEANER..... C-11	COWLING BODY..... I-04	FRAME COVER..... H-02	FUEL TANK..... G-09	MUFFLER..... D-02	REAR MASTER CYLINDER..... L-11	STEERING DAMPER..... K-05
ALTERNATOR..... E-11	CRANKCASE COVER..... B-09	FRAME..... G-02	GEAR SHIFTING..... E-08	OIL COOLER..... D-04	REAR SWINGING ARM..... L-02	STEERING STEM..... K-04
BATTERY..... F-02	CRANKCASE..... B-06	FRONT BRAKE HOSE..... K-10	HANDLE LEVER..... H-16	OIL PAN - OIL PUMP..... B-10	REAR WHEEL..... L-06	TAIL LAMP..... F-10
CAN CHAIN..... C-04	CRANKSHAFT..... B-12	FRONT CALIPERS..... K-08	HANDLE SWITCH..... F-13	OPTIONAL..... L-13	SEAT..... J-05	TRANSMISSION..... E-06
CAN SHAFT - VALVE.. C-02	CYLINDER HEAD COVER B-02	FRONT DAMPER..... K-02	HANDLEBAR..... H-14	RADIATOR HOSE..... D-07	SIGNAL GENERATOR... E-15	TURN SIGNAL LAMP... F-09
CARBURETOR FITTINGS C-09	CYLINDER HEAD..... B-03	FRONT FENDER..... H-13	HEADLAMP..... F-07	RADIATOR..... D-06	SPEEDOMETER..... F-04	WATER PUMP..... D-05
CARBURETOR..... C-05	CYLINDER..... B-05	FRONT MASTER CYLINDER K-12	INSTALLATION PARTS. I-08	REAR CALIPER..... L-09	STAND..... G-04	MIRING HARNESS..... F-11
CLUTCH MASTER CYLINDER K-14	ELECTRICAL..... F-03	FRONT WHEEL..... K-06	INSTALLATION PARTS. J-02	REAR CUSHION LEVER. L-04	STARTER CLUTCH..... B-14	
CLUTCH..... E-02	FOOTREST..... G-05	FUEL COCK..... G-14	LABEL..... J-04	REAR FENDER..... I-02	STARTING MOTOR..... E-10	

FIG. 46

I 11

FIG. 46 (I-11) COWLING BODY (MODEL S)



REF. NO.	PART NO.	DESCRIPTION	Q'TY	REMARKS
13-1	68195-46E00-D8C	.TAPE, UNDER LH	1	FOR 1LE
13-2	68195-46E00-D6D	.TAPE, UNDER LH	1	FOR 1TY
13-3	68195-46E00-D6E	.TAPE, UNDER LH	1	FOR 1TU
14	94416-46E20	PANEL, LOWER RH	1	
15	94426-46E20	PANEL, LOWER LH	1	
16	94461-46E00-019	COWLING, UNDER INNER RH (BLACK)	1	
17	94462-46E00-019	COWLING, UNDER INNER LH (BLACK)	1	
18	94498-46E00-019	COWLING, UNDER CENTER (BLACK)	1	
19	94610-46E20	SCREEN SET, WIND	1	
20	94475-48B10	CUSHION, LOWER PANEL RH	1	FRONT 60X60
21	61374-08010	CUSHION, LOWER PANEL RH	1	REAR CAT 50X23

COLOR : M18 = 0JW(WHITE), 1LE(BLUE)
 COLOR : A8G = 33J(BLACK), 1TY(RED)
 COLOR : C3R = 33J(BLACK), 1TU(PURPLE)

REFER TO FIG. 46A(1-12) FOR MODEL T
 REFER TO FIG. 46B(1-14) FOR MODEL V/W
 REFER TO FIG. 47 (J- 2) INSTALLATION PARTS

GSX-R1100W E28

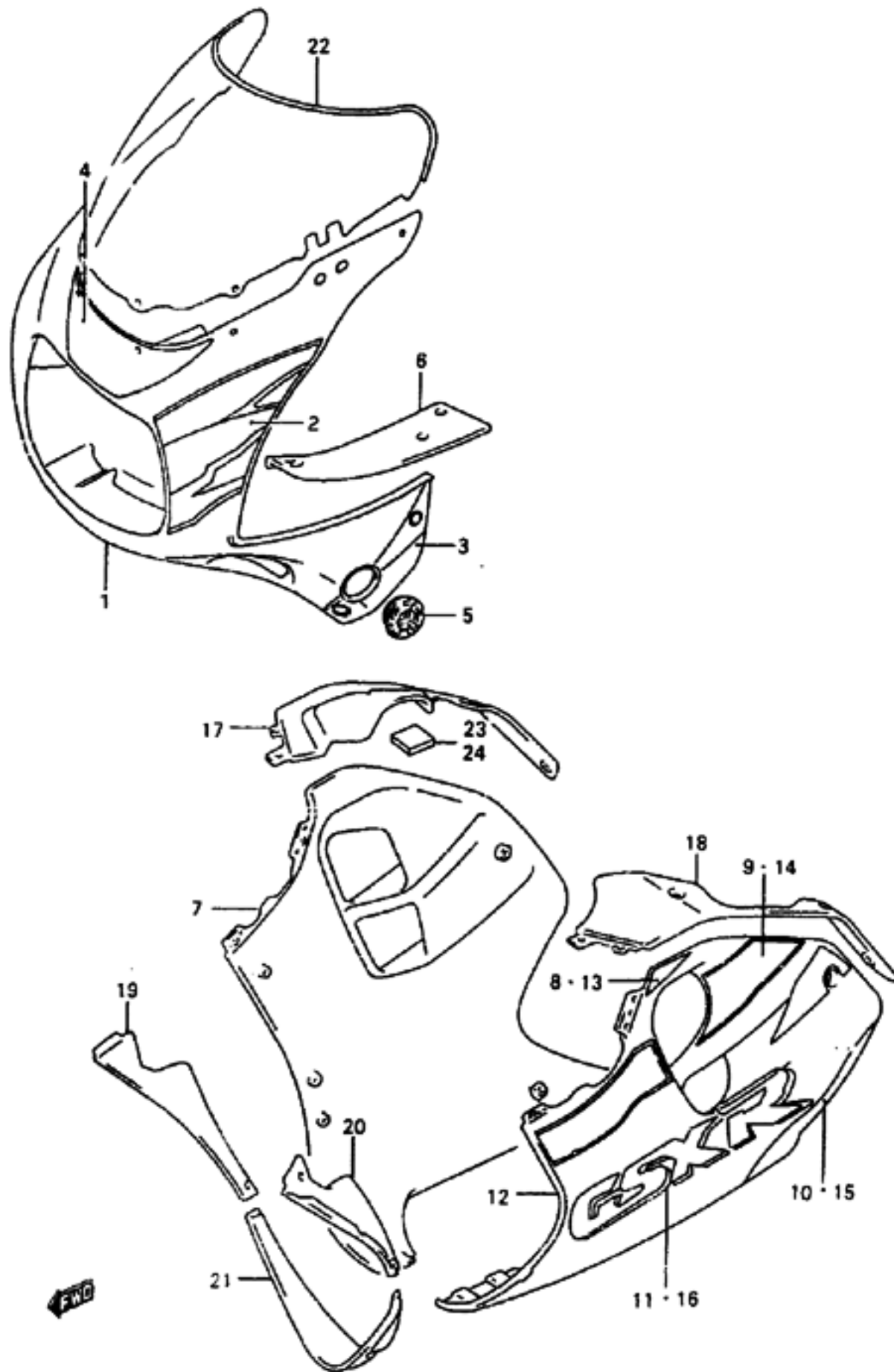
97

AIR CLEANER.....	C-11	COWLING BODY.....	I-04	FRAME COVER.....	H-02	FUEL TANK.....	G-09	MUFFLER.....	D-02	REAR MASTER CYLINDER	L-11	STEERING DAMPER.....	K-05
ALTERNATOR.....	E-11	CRANKCASE COVER.....	B-09	FRAME.....	G-02	GEAR SHIFTING.....	E-08	OIL COOLER.....	D-04	REAR SWINGING ARM..	L-02	STEERING STEM.....	K-04
BATTERY.....	F-02	CRANKCASE.....	B-06	FRONT BRAKE HOSE....	K-10	HANDLE LEVER.....	H-16	OIL PAN - OIL PUMP..	B-10	REAR WHEEL.....	L-06	TAIL LAMP.....	F-10
CAH CHAIN.....	C-04	CRANKSHAFT.....	B-12	FRONT CALIPERS.....	K-08	HANDLE SWITCH.....	F-13	OPTIONAL.....	L-13	SEAT.....	J-05	TRANSMISSION.....	E-06
CAH SHAFT - VALVE..	C-02	CYLINDER HEAD COVER	B-02	FRONT DAMPER.....	K-02	HANDLEBAR.....	H-14	RADIATOR HOSE.....	D-07	SIGNAL GENERATOR...	E-15	TURN SIGNAL LAMP....	F-09
CARBURETOR FITTINGS	C-09	CYLINDER HEAD.....	B-03	FRONT FENDER.....	H-13	HEADLAMP.....	F-07	RADIATOR.....	D-06	SPEEDOMETER.....	F-04	WATER PUMP.....	D-05
CARBURETOR.....	C-05	CYLINDER.....	B-05	FRONT MASTER CYLIND	K-12	INSTALLATION PARTS.	I-08	REAR CALIPER.....	L-09	STAND.....	G-04	WIRING HARNESS.....	F-11
CLUTCH MASTER CYLIN	K-14	ELECTRICAL.....	F-03	FRONT WHEEL.....	K-06	INSTALLATION PARTS.	J-02	REAR CUSHION LEVER.	L-04	STARTER CLUTCH.....	B-14		
CLUTCH.....	E-02	FOOTREST.....	G-05	FUEL COCK.....	G-14	LABEL.....	J-04	REAR FENDER.....	I-02	STARTING MOTOR.....	E-10		

FIG. 46A

I 12

FIG. 46A(1-12) COWLING BODY (MODEL T)



REF. NO.	PART NO.	DESCRIPTION	Q'TY	REMARKS
1-1	94400-46E60-33J	COWLING ASSY, BODY (BLACK)	1	FOR E9P
1-2	94400-46E60-1NX	COWLING ASSY, BODY (BLACK)	1	FOR C3B
2-1	68270-46E20-FOH	.TAPE SET, BODY FRONT	1	FOR 33J
2-2	68270-46E20-CBK	.TAPE SET, BODY FRONT	1	FOR 1NX
3-1	68280-46E10-FOJ	.TAPE SET, SIDE	1	FOR 33J
3-2	68280-46E10-C3R	.TAPE SET, SIDE	1	FOR 1NX
4-1	68275-46E00-OJW	.TAPE, BODY (WHITE)	1	FOR 33J
4-2	68275-46E00-17U	.TAPE, BODY (GRAY)	1	FOR 1NX
5-1	94416-17E21	.PLATE, FRONT TURN RH	1	
5-2	94417-17E21	.PLATE, FRONT TURN LH	1	
6-1	94415-17E21	PANEL, UPPER RH	1	
6-2	94425-17E21	PANEL, UPPER LH	1	
7-1	94407-46E60-Z12	COWLING, UNDER RH (BLUE)	1	FOR E9P
7-2	94407-46E60-1TU	COWLING, UNDER RH (PURPLE)	1	FOR C3B
8	68185-46E10-33J	.TAPE, UPPER RH (BLACK)	1	
9-1	68180-46E50-E9P	.TAPE SET, CENTER RH	1	FOR Z12
9-2	68180-46E50-C3B	.TAPE SET, CENTER RH	1	FOR 1TU
10-1	68180-46E60-OJW	.TAPE SET, LOWER RH (WHITE)	1	FOR Z12
10-2	68180-46E60-17U	.TAPE SET, LOWER RH (GRAY)	1	FOR 1TU
11-1	68181-46E20-277	.EMBLEM, RH	1	FOR Z12
11-2	68181-46E20-278	.EMBLEM, RH	1	FOR 1TU
12-1	94408-46E60-Z12	COWLING, UNDER LH (BLUE)	1	FOR E9P
12-2	94408-46E60-1TU	COWLING, UNDER LH (WHITE)	1	FOR C3B
13	68195-46E10-33J	.TAPE, UPPER LH (BLACK)	1	
14-1	68190-46E50-E9P	.TAPE SET, CENTER LH	1	FOR Z12
14-2	68190-46E50-C3B	.TAPE SET, CENTER LH	1	FOR 1TU
15-1	68190-46E60-OJW	.TAPE SET, LOWER LH (WHITE)	1	FOR Z12
15-2	68190-46E60-17U	.TAPE SET, LOWER LH (GRAY)	1	FOR 1TU

COLOR : E9P = OJW(WHITE), Z12(BLUE)
 COLOR : C3B = 17U(GRAY), 1TU(PURPLE)

REFER TO FIG. 46B(1-14) FOR MODEL V/W
 REFER TO FIG. 47 (J- 2) FOR INSTALLATION PARTS

GSX-R1100WV E28

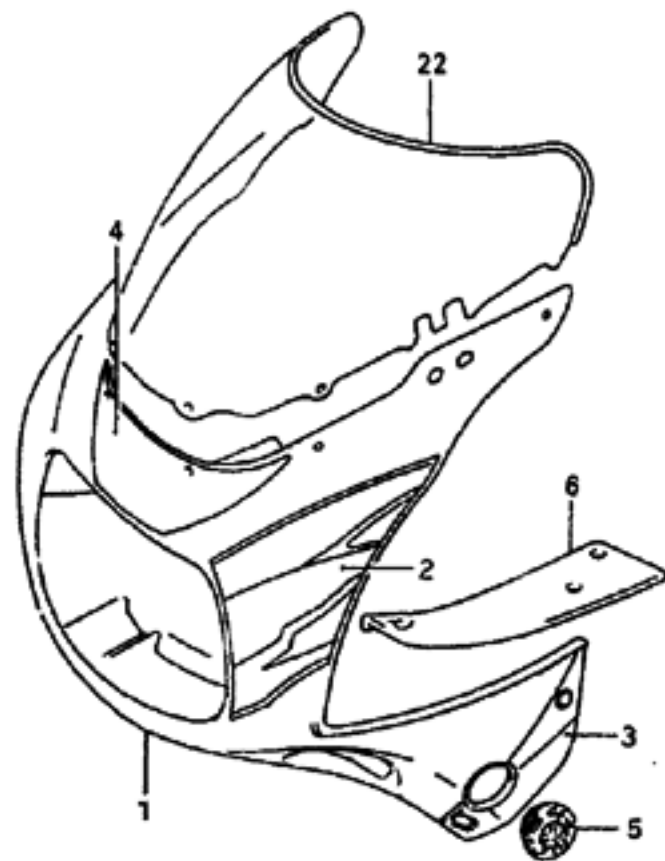
98

AIR CLEANER.....	C-11	COWLING BODY.....	I-04	FRAME COVER.....	H-02	FUEL TANK.....	G-09	MUFFLER.....	D-02	REAR MASTER CYLINDER	L-11	STEERING DAMPER.....	K-05
ALTERNATOR.....	E-11	CRANKCASE COVER.....	B-09	FRAME.....	G-02	GEAR SHIFTING.....	E-08	OIL COOLER.....	D-04	REAR SWINGING ARM..	L-02	STEERING STEM.....	K-04
BATTERY.....	F-02	CRANKCASE.....	B-04	FRONT BRAKE HOSE...	K-10	HANDLE LEVER.....	H-14	OIL PAN - OIL PUMP..	B-10	REAR WHEEL.....	L-06	TAIL LAMP.....	F-10
CAM CHAIN.....	C-04	CRANKSHAFT.....	B-12	FRONT CALIPERS.....	K-08	HANDLE SWITCH.....	F-13	OPTIONAL.....	L-13	SEAT.....	J-05	TRANSMISSION.....	E-04
CAM SHAFT - VALVE..	C-02	CYLINDER HEAD COVER	B-02	FRONT DAMPER.....	K-02	HANDLEBAR.....	H-14	RADIATOR HOSE.....	D-07	SIGNAL GENERATOR...	E-15	URNSIGNAL LAMP.....	F-09
CARBURETOR FITTINGS	C-09	CYLINDER HEAD.....	B-03	FRONT FENDER.....	H-13	HEADLAMP.....	F-07	RADIATOR.....	D-04	SPEEDOMETER.....	F-04	WATER PUMP.....	D-05
CARBURETOR.....	C-05	CYLINDER.....	B-05	FRONT MASTER CYLIND	K-12	INSTALLATION PARTS..	I-08	REAR CALIPER.....	L-09	STAND.....	G-04	WIRING HARNESS.....	F-11
CLUTCH MASTER CYLIN	K-14	ELECTRICAL.....	F-03	FRONT WHEEL.....	K-04	INSTALLATION PARTS..	J-02	REAR CUSHION LEVER..	L-04	STARTER CLUTCH.....	B-14		
CLUTCH.....	E-02	FOOTREST.....	G-05	FUEL COCK.....	G-14	LABEL.....	J-04	REAR FENDER.....	I-02	STARTING MOTOR.....	E-10		

FIG. 46A

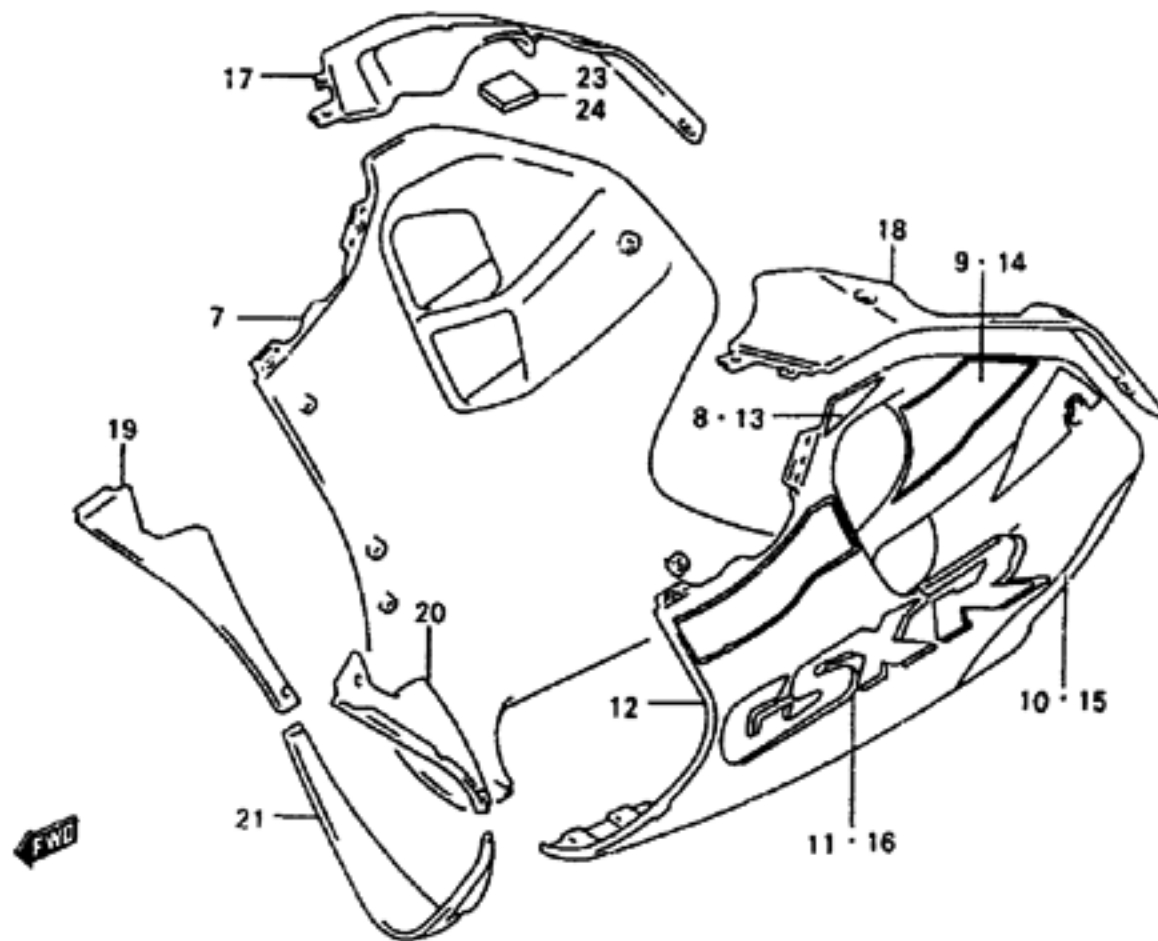
I 13

FIG. 46A(1-13) COWLING BODY (MODEL T)



REF. NO.	PART NO.	DESCRIPTION	Q'TY	REMARKS
16-1	68191-46E20-277	. EMBLEM, LH	1	FOR Z12
16-2	68191-46E20-278	. EMBLEM, Li	1	FOR 1TU
17	94416-46E20	PANEL, LOWER RH	1	
18	94426-46E20	PANEL, LOWER LH	1	
19	94461-46E00-019	COWLING, INNER RH (BLACK)	1	
20	94462-46E00-019	COWLING, INNER LH (BLACK)	1	
21	94498-46E00-019	COWLING, CENTER (BLACK)	1	
22	94610-46E20	SCREEN SET, WIND	1	
23	94475-48B10	CUSHION, PANEL FRONT RH	1	60X60
24	61374-08010	CUSHION, PANEL REAR RH	1	CUT 50X23

REFER TO FIG. 46B(1-14) FOR MODEL V/W
REFER TO FIG. 47 (J- 2) FOR INSTALLATION PARTS

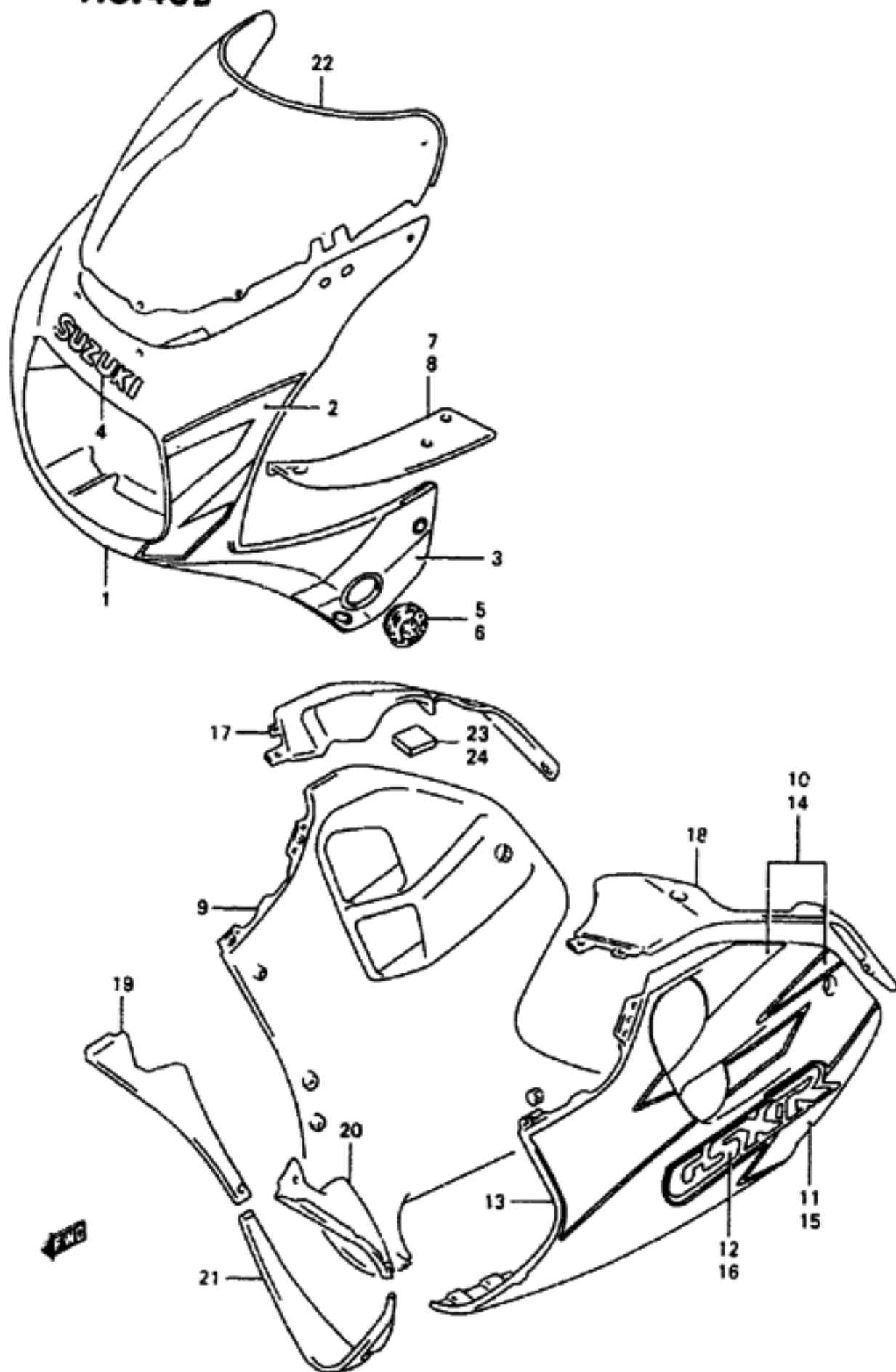


GSX-R1100NW E28

99

AIR CLEANER.....	C-11	COWLING BODY.....	I-04	FRAME COVER.....	H-02	FUEL TANK.....	G-09	MUFFLER.....	D-02	REAR MASTER CYLINDE	L-11	STEERING DAMPER....	K-05
ALTERNATOR.....	E-11	CRANKCASE COVER....	B-09	FRAME.....	G-02	GEAR SHIFTING.....	E-08	OIL COOLER.....	D-04	REAR SWINGING ARM..	L-02	STEERING STEN.....	K-04
BATTERY.....	F-02	CRANKCASE.....	B-06	FRONT BRAKE HOSE...	K-10	HANDLE LEVER.....	H-16	OIL PAN - OIL PUMP.	B-10	REAR WHEEL.....	L-06	TAIL LAMP.....	F-10
CAN CHAIN.....	C-04	CRANKSHAFT.....	B-12	FRONT CALIPERS.....	K-08	HANDLE SWITCH.....	F-13	OPTIONAL.....	L-13	SEAT.....	J-05	TRANSMISSION.....	E-06
CAN SHAFT - VALVE..	C-02	CYLINDER HEAD COVER	B-02	FRONT DAMPER.....	K-02	HANDLEBAR.....	H-14	RADIATOR NOSE.....	D-07	SIGNAL GENERATOR...	E-15	TURN SIGNAL LAMP....	F-09
CARBURETOR FITTINGS	C-09	CYLINDER HEAD.....	B-03	FRONT FENDER.....	H-13	HEADLAMP.....	F-07	RADIATOR.....	D-06	SPEEDOMETER.....	F-04	WATER PUMP.....	D-05
CARBURETOR.....	C-05	CYLINDER.....	B-05	FRONT MASTER CYLIND	K-12	INSTALLATION PARTS.	I-08	REAR CALIPER.....	L-09	STAND.....	G-04	WIRING HARNESS....	F-11
CLUTCH MASTER CYLIN	K-14	ELECTRICAL.....	F-03	FRONT WHEEL.....	K-06	INSTALLATION PARTS.	J-02	REAR CUSHION LEVER.	L-04	STARTER CLUTCH.....	B-14		
CLUTCH.....	E-02	FOOTREST.....	G-05	FUEL COCK.....	G-14	LABEL.....	J-04	REAR FENDER.....	I-02	STARTING MOTOR.....	E-10		

FIG. 46B



I 14

FIG. 46B(1-14) COWLING BODY (MODEL V/W)

REF. NO.	PART NO.	DESCRIPTION	Q'TY	REMARKS
1-1	94400-46E70-0JW	COWLING ASSY. BODY (WHITE)	1	MODEL V FOR G4V
1-2	94400-46E70-33J	COWLING ASSY. BODY (BLACK)	1	MODEL V FOR G2P
1-3	94400-46E70-1LX	COWLING ASSY. BODY (WHITE)	1	MODEL W FOR K1V
1-4	94400-46E70-35W	COWLING ASSY. BODY (GRAY)	1	MODEL W FOR G2E
2-1	68270-46E30-G8T	.TAPE SET, BODY FRONT	1	MODEL V FOR 0JW
2-2	68270-46E30-G6U	.TAPE SET, BODY FRONT	1	MODEL V FOR 33J
2-3	68270-46E30-K2P	.TAPE SET, BODY FRONT	1	MODEL W FOR 1LX
2-4	68270-46E30-K2N	.TAPE SET, BODY FRONT	1	MODEL W FOR 35W
3-1	68280-46E30-G6V	.TAPE SET, SIDE	1	MODEL V FOR 0JW
3-2	68280-46E30-G6W	.TAPE SET, SIDE	1	MODEL V FOR 33J
3-3	68280-46E31-K2K	.TAPE SET, SIDE	1	MODEL W FOR 1LX
3-4	68280-46E31-K2L	.TAPE SET, SIDE	1	MODEL W FOR 35W
4-1	68185-05C10-20G	.EMBLEM (GRAY)	1	FOR 0JW, K1V
4-2	68185-05C10-0AT	.EMBLEM (CHROME)	1	FOR 33J
4-3	68185-05C10-20H	.EMBLEM (SILVER)	1	FOR G2E
5	94416-17E21	.PLATE, FRONT TURN RH	1	
6	94417-17E21	.PLATE, FRONT TURN LH	1	
7	94415-17E21	PANEL, UPPER RH	1	
8	94425-17E21	PANEL, UPPER LH	1	
9-1	94407-46E70-Y0P	COWLING, UNDER RH (BLUE)	1	MODEL V FOR G4V
9-2	94407-46E70-22U	COWLING, UNDER RH (MAROON)	1	MODEL V FOR G2P
9-3	94407-46E70-Y0N	COWLING, UNDER RH (BLUE)	1	MODEL W FOR K1V
9-4	94407-46E70-33J	COWLING, UNDER RH (BLACK)	1	MODEL W FOR G2E
10-1	68185-46E20-G4V	.TAPE, UPPER RH	1	MODEL V FOR Y0P
10-2	68185-46E20-G2P	.TAPE, UPPER RH	1	MODEL V FOR 22U
10-3	68185-46E20-K1V	.TAPE, UPPER RH	1	MODEL W FOR Y0N
10-4	68185-46E20-G2E	.TAPE, UPPER RH	1	MODEL W FOR 33J
11-1	68180-46E70-G8T	.TAPE SET, LOWER RH	1	MODEL V FOR Y0P
11-2	68180-46E70-G6U	.TAPE SET, LOWER RH	1	MODEL V FOR 22U
11-3	68180-46E70-K2P	.TAPE SET, LOWER RH	1	MODEL W FOR Y0N
11-4	68180-46E70-K2N	.TAPE SET, LOWER RH	1	MODEL W FOR 33J
COLOR : G4V = 0JW (WHITE), Y0P (BLUE) : G2P = 33J (BLACK), 22U (MAROON) : K1V = 0JW (WHITE), Y0N (BLUE) : G2E = 33J (BLACK), 35W (GRAY)				

REFER TO FIG. 47 (J- 2) FOR INSTALLATION PARTS

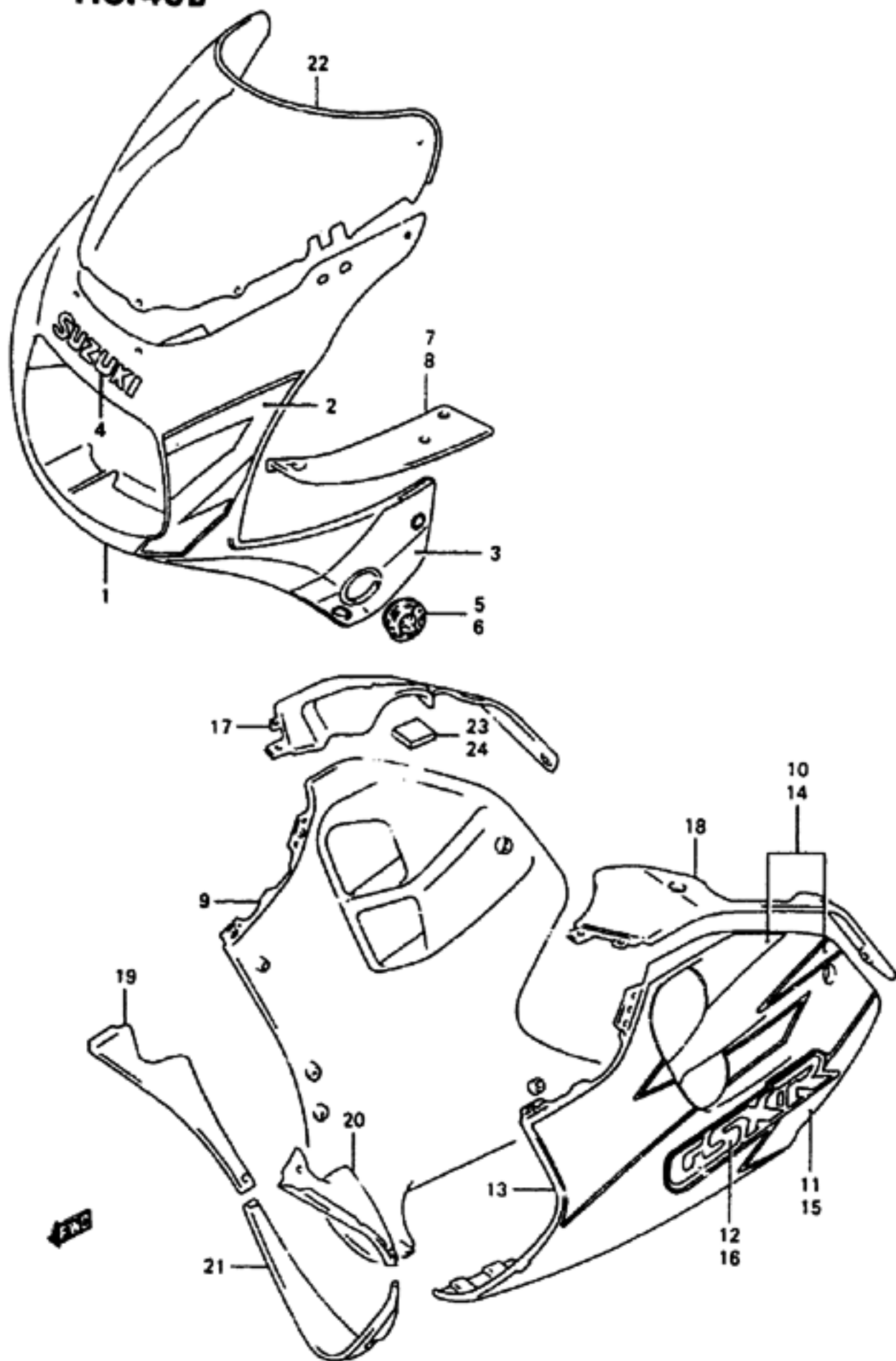
GSX-R1100WW E28

100

AIR CLEANER.....	C-11	COWLING BODY.....	I-04	FRAME COVER.....	H-02	FUEL TANK.....	G-09	MUFFLER.....	D-02	REAR MASTER CYLINDER	L-11	STEERING DAMPER.....	K-05
ALTERNATOR.....	E-11	CRANKCASE COVER....	B-09	FRAME.....	G-02	GEAR SHIFTING.....	E-08	OIL COOLER.....	D-04	REAR SWINGING ARM..	L-02	STEERING STEM.....	K-04
BATTERY.....	F-02	CRANKCASE.....	B-04	FRONT BRAKE HOSE...	K-10	HANDLE LEVER.....	H-16	OIL PAN - OIL PUMP..	B-10	REAR WHEEL.....	L-06	TAIL LAMP.....	F-10
CAM CHAIN.....	C-04	CRANKSHAFT.....	B-12	FRONT CALIPERS.....	K-08	HANDLE SWITCH.....	F-13	OPTIONAL.....	L-13	SEAT.....	J-05	TRANSMISSION.....	E-04
CAM SHAFT - VALVE..	C-02	CYLINDER HEAD COVER	B-02	FRONT DAMPER.....	K-02	HANDLEBAR.....	H-14	RADIATOR HOSE.....	D-07	SIGNAL GENERATOR...	E-15	TURN SIGNAL LAMP...	F-09
CARBURETOR FITTINGS	C-09	CYLINDER HEAD.....	B-03	FRONT FENDER.....	H-13	HEADLAMP.....	F-07	RADIATOR.....	D-06	SPEEDOMETER.....	F-04	WATER PUMP.....	D-05
CARBURETOR.....	C-05	CYLINDER.....	B-05	FRONT MASTER CYLIND	K-12	INSTALLATION PARTS..	I-08	REAR CALIPER.....	L-09	STAND.....	G-04	WIRING HARNESS.....	F-11
CLUTCH MASTER CYLIM	K-14	ELECTRICAL.....	F-03	FRONT WHEEL.....	K-04	INSTALLATION PARTS..	J-02	REAR CUSHION LEVER..	L-04	STARTER CLUTCH.....	B-14		
CLUTCH.....	F-02	FOOTREST.....	G-05	FUEL COCK.....	G-14	LABEL.....	J-04	REAR FENDER.....	I-02	STARTING MOTOR.....	E-10		

FIG. 46B

FIG. 46B(I-15) COWLING BODY (MODEL V/W)



REF. NO.	PART NO.	DESCRIPTION	Q'TY	REMARKS
12-1	68181-46E30-G6R	EMBLEM, RH	1	MODEL V FOR YOP
12-2	68181-46E30-G6S	EMBLEM, RH	1	MODEL V FOR 22U
12-3	68181-46E30-K2H	EMBLEM, RH	1	MODEL W FOR YON
12-4	68181-46E30-K2J	EMBLEM, RH	1	MODEL W FOR 33J
13-1	94408-46E70-YOP	COWLING, UNDER LH (BLUE)	1	MODEL V FOR G4P
13-2	94408-46E70-22U	COWLING, UNDER LH (MAROON)	1	MODEL V FOR G2P
13-3	94408-46E70-YON	COWLING, UNDER LH (BLUE)	1	MODEL W FOR K1V
13-4	94408-46E70-33J	COWLING, UNDER LH (BLACK)	1	MODEL W FOR G2E
14-1	68195-46E20-G4V	TAPE, UPPER LH	1	MODEL V FOR YOP
14-2	68195-46E20-G2P	TAPE, UPPER LH	1	MODEL V FOR 22U
14-3	68195-46E20-K1V	TAPE, UPPER LH	1	MODEL W FOR YON
14-4	68195-46E20-G2E	TAPE, UPPER LH	1	MODEL W FOR 33J
15-1	68190-46E70-G6T	TAPE SET, LOWER LH	1	MODEL V FOR YOP
15-2	68190-46E70-G6U	TAPE SET, LOWER LH	1	MODEL V FOR 22U
15-3	68190-46E70-K2P	TAPE SET, LOWER LH	1	MODEL W FOR YON
15-4	68190-46E70-X2N	TAPE SET, LOWER LH	1	MODEL W FOR 33J
16-1	68181-46E30-G6R	EMBLEM, LH	1	MODEL V FOR YOP
16-2	68181-46E30-G6S	EMBLEM, LH	1	MODEL V FOR 22U
16-3	68181-46E30-K2H	EMBLEM, LH	1	MODEL W FOR YON
16-4	68181-46E30-K2J	EMBLEM, LH	1	MODEL W FOR 33J
17	94416-46E20	PANEL, LOWER RH	1	
18	94426-46E20	PANEL, LOWER LH	1	
19	94461-46E00-019	COWLING, INNER RH (BLACK)	1	
20	94462-46E00-019	COWLING, INNER LH (BLACK)	1	
21	94498-46E00-019	COWLING, CENTER (BLACK)	1	
22	94610-46E20	SCREEN SET, WIND	1	
23	94475-48B1C	CUSHION, PANEL FRONT RH	1	60X60
24	61374-0801U	CUSHION, PANEL REAR RH	1	CUT 50X23

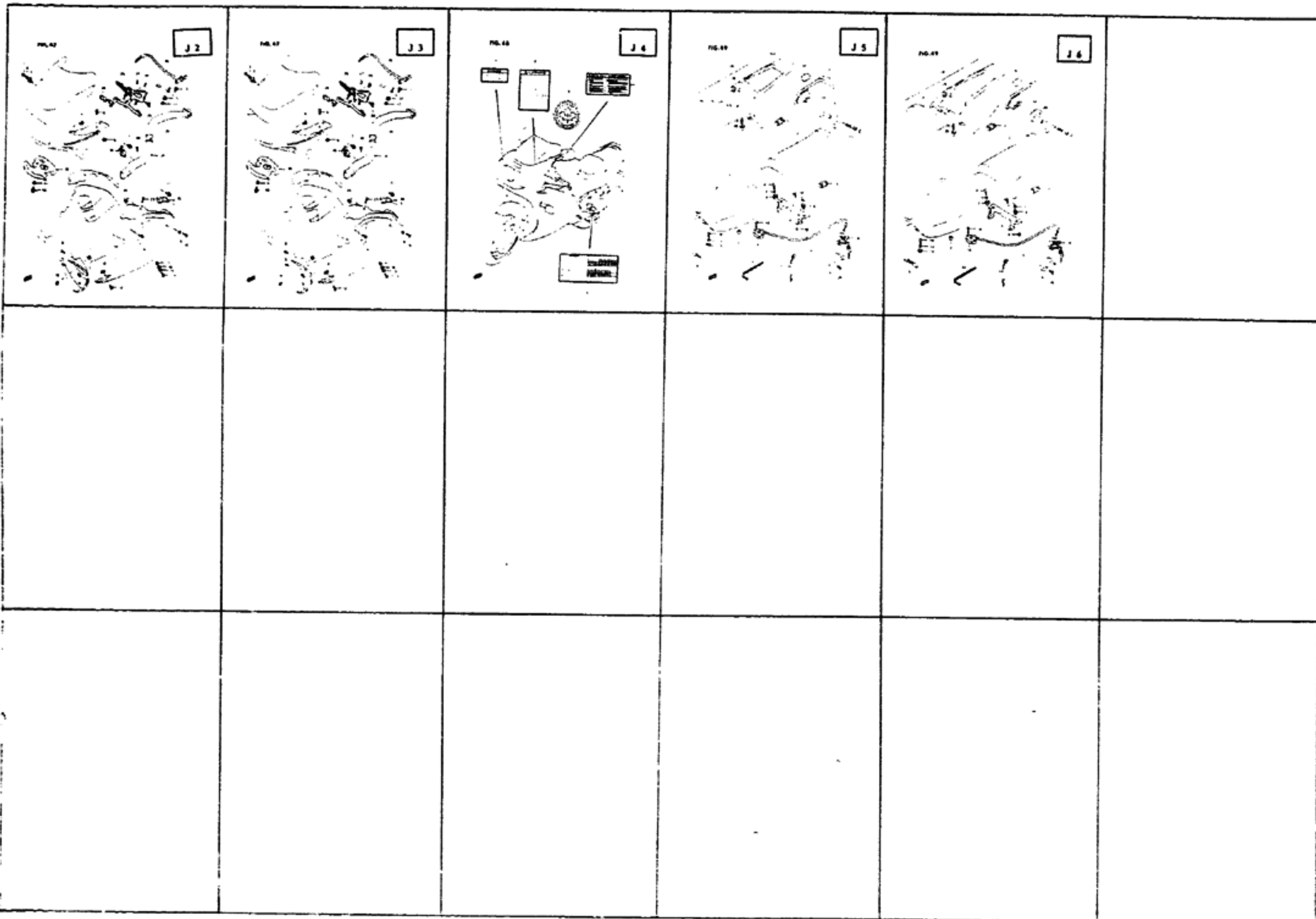
COLOR : G4V = OJW (WHITE), YOP (BLUE)
 : G2P = 33J (BLACK), 22U (MAROON)
 : K1V = OJW (WHITE), YON (BLUE)
 : G2E = 33J (BLACK), 35W (GRAY)

REFER TO FIG. 47 (J- 2) FOR INSTALLATION PARTS

GSX-R1100W E28

101

AIR CLEANER.....	C-11	COWLING BODY.....	I-04	FRAME COVER.....	H-02	FUEL TANK.....	G-09	MUFFLER.....	D-02	REAR MASTER CYLINDER	L-11	STEERING DAMPER.....	K-05
ALTERNATOR.....	E-11	CRANKCASE COVER.....	B-09	FRAME.....	G-02	GEAR SHIFTING.....	E-08	OIL COOLER.....	D-04	REAR SWINGING ARM..	L-02	STEERING STEM.....	K-04
BATTERY.....	F-02	CRANKCASE.....	B-06	FRONT BRAKE HOSE...	K-10	HANDLE LEVER.....	H-16	OIL PAN - OIL PUMP..	B-10	REAR WHEEL.....	L-06	TAIL LAMP.....	F-10
CHAIN.....	C-04	CRANKSHAFT.....	B-12	FRONT CALIPERS.....	K-08	HANDLE SWITCH.....	F-13	OPTIONAL.....	L-13	SEAT.....	J-05	TRANSMISSION.....	E-06
CHAIN SHAFT - VALVE..	C-02	CYLINDER HEAD COVER	B-02	FRONT DAMPER.....	K-02	HANDLEBAR.....	H-14	RADIATOR HOSE.....	D-07	SIGNAL GENERATOR...	E-15	TURNSIGNAL LAMP....	F-09
CARBURETOR FITTINGS	C-09	CYLINDER HEAD.....	S-03	FRONT FENDER.....	H-13	HEADLAMP.....	F-07	RADIATOR.....	D-06	SPEEDOMETER.....	F-04	WATER PUMP.....	D-05
CARBURETOR.....	C-05	CYLINDER.....	B-05	FRONT MASTER CYLIND	K-12	INSTALLATION PARTS..	I-00	REAR CALIPER.....	L-09	STAND.....	G-04	WIRING HARNESS....	F-11
CLUTCH MASTER CYLIN	K-14	ELECTRICAL.....	F-03	FRONT WHEEL.....	K-06	INSTALLATION PARTS..	J-02	REAR CUSHION LEVER..	L-04	STARTER CLUTCH.....	B-14		
CLUTCH.....	E-02	FOOTREST.....	G-05	FUEL COCK.....	G-14	LABEL.....	J-04	REAR FENDER.....	I-02	STARTING MOTOR.....	E-10		

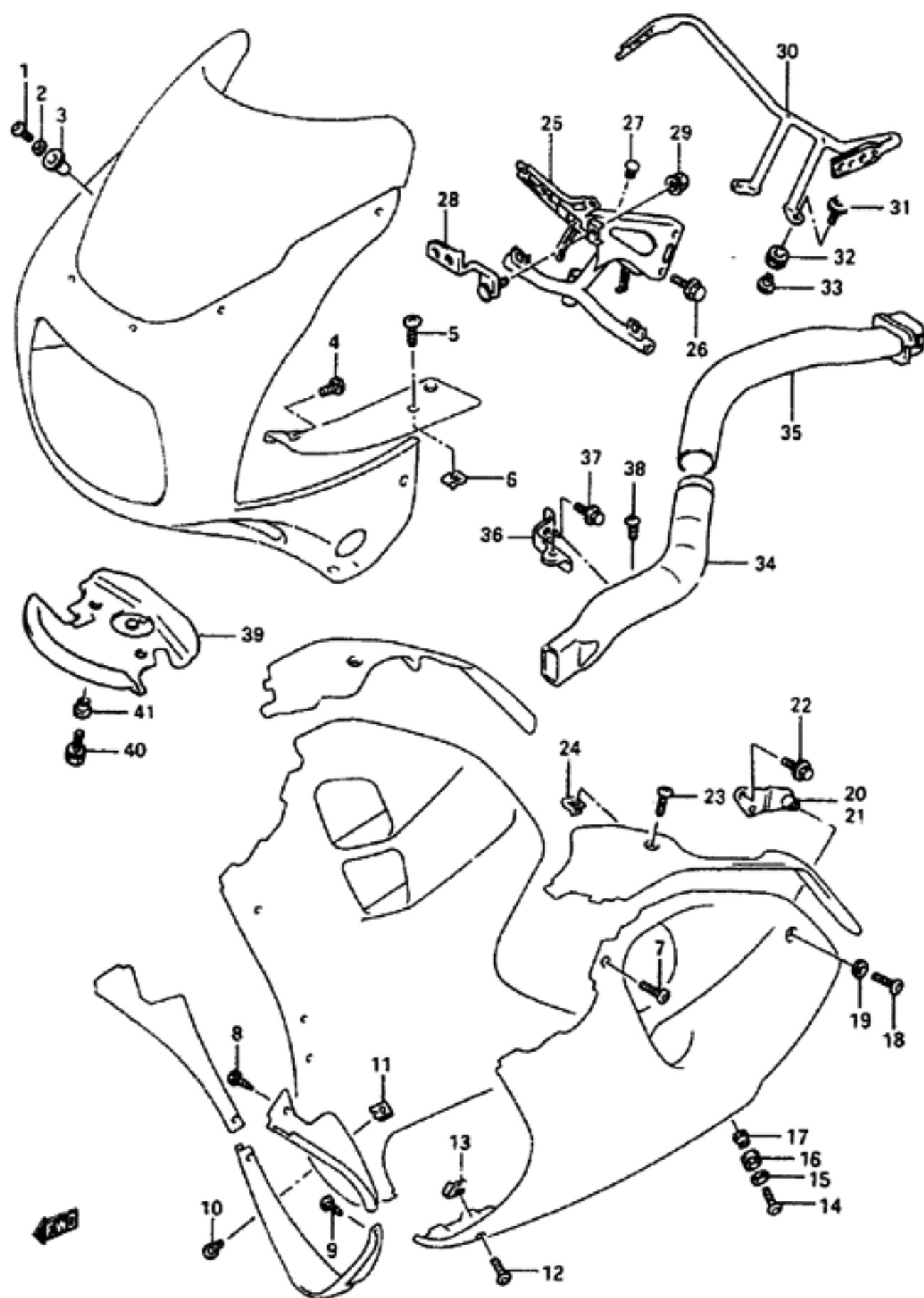


AIR CLEANER.....	C-11	CONVING BODY.....	I-04	FRAME COVER.....	H-02	FUEL TANK.....	G-09	HUFFLER.....	D-02	REAR MASTER CYLINDE	L-11	STEERING DAMPER....	K-05
ALTERNATOR.....	E-11	CRANKCASE COVER....	B-09	FRAME.....	G-02	GEAR SHIFTING.....	E-08	OIL COOLER.....	D-04	REAR SWINGING ARM..	L-02	STEERING STEM.....	K-04
BATTERY.....	F-02	CRANKCASE.....	B-06	FRONT BRAKE HOSE...	K-10	HANDLE LEVER.....	H-16	OIL PAN - OIL PUMP.	B-10	REAR WHEEL.....	L-04	TAIL LAMP.....	F-10
CAN CHAIN.....	C-04	CRANKSHAFT.....	B-12	FRONT CALIPERS.....	K-08	HANDLE SWITCH.....	F-13	OPTIONAL.....	L-13	SEAT.....	J-05	TRANSMISSION.....	E-06
CAN SHAFT - VALVE..	C-02	CYLINDER HEAD COVER	B-02	FRONT DAMPER.....	K-02	HANDLEBAR.....	H-14	RADIATOR HOSE.....	D-07	SIGNAL GENERATOR...	E-15	TUNNSIGNAL LAMP....	F-09
CARBURETOR FITTINGS	C-09	CYLINDER HEAD.....	B-03	FRONT FENDER.....	H-13	HEADLAMP.....	F-07	RADIATOR.....	D-04	SPEEDOMETER.....	F-04	WATER PUMP.....	D-05
CARBURETOR.....	C-05	CYLINDER.....	B-05	FRONT MASTER CYLIND	K-12	INSTALLATION PARTS.	I-08	REAR CALIPER.....	L-09	STAND.....	G-04	WIRING HARNESS....	F-11
CLUTCH MASTER CYLIN	K-14	ELECTRICAL.....	F-03	FRONT WHEEL.....	K-06	INSTALLATION PARTS.	J-02	REAR CUSHION LEVER.	L-04	STARTER CLUTCH.....	B-14		
CLUTCH.....	E-02	FOOTREST.....	G-05	FUEL COCK.....	G-14	LABEL.....	J-04	REAR FENDER.....	I-02	STARTING MOTOR.....	E-10		

FIG. 47

J 2

FIG. 47 (J- 2) INSTALLATION PARTS (MODEL S/T/V/W)



REF. NO.	PART NO.	DESCRIPTION	Q'TY	REMARKS
1	09139-05025	SCREW, SCREEN (5X14)	6	
2	08322-01053	WASHER	6	
3	09159-05019	NUT	6	
4	03541-05103	SCREW, PANEL FRONT (5X10)	2	
5	03241-05123	SCREW, PANEL REAR (5X12)	2	
6-1	0914-05013	NUT	2	MODEL S
6-2	09148-05004	NUT	2	MODEL T/V/W
7	09139-05055	SCREW, COWLING (5X16)	4	
8	03541-05103	SCREW, UNDER INNER (5X10)	4	
9	03541-05103	SCREW, UNDER LH (5X10)	1	
10	09139-05054	SCREW, UNDER RH (5X18)	2	
11	94484-32800	NUT	2	
12	09139-05054	SCREW, UNDER LH (5X16)	1	
13	94484-32800	NUT	1	
14	09139-06029	SCREW, UNDER (6X25)	2	
15	09160-06056	WASHER	2	
16	09320-09016	CUSHION	2	
17	09169-06062	WASHER	2	
18	09139-06078	SCREW, UNDER REAR (6X10)	2	
19-1	09160-06053	WASHER	2	MODEL S/T/V
19-2	09160-06125	WASHER	2	MODEL W
20	94530-46E20	BRACE, UNDER RH	1	
21	94540-46E20	BRACE, UNDER LH	1	
22	01550-08123	BOLT (6X12)	4	

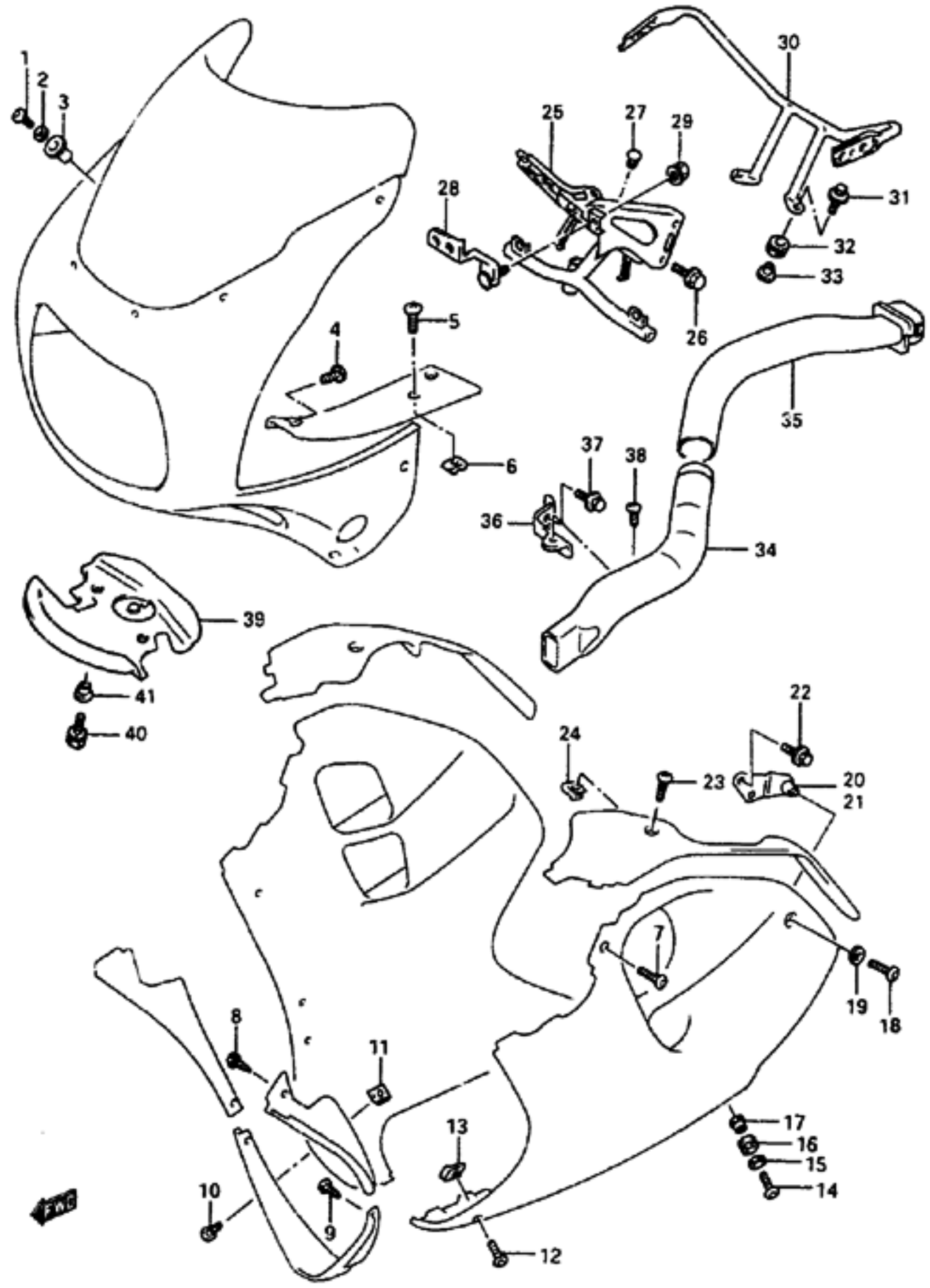
GSX-R1100WV E28

AIR CLEANER.....	C-11	COWLING BODY.....	I-04	FRAME COVER.....	H-02	FUEL TANK.....	G-09	MUFFLER.....	D-02	REAR MASTER CYLINDER	L-11	STEERING DAMPER.....	K-05
ALTERNATOR.....	E-11	CRANKCASE COVER.....	B-09	FRAME.....	G-02	GEAR SHIFTING.....	E-08	OIL COOLER.....	D-04	REAR SWINGING ARM..	L-02	STEERING STEM.....	K-04
BATTERY.....	F-02	CRANKCASE.....	B-06	FRONT BRAKE HOSE...	K-10	HANDLE LEVER.....	H-14	OIL PAN - OIL PUMP..	B-10	REAR WHEEL.....	L-04	TAIL LAMP.....	F-10
CAM CHAIN.....	C-04	CRANKSHAFT.....	B-12	FRONT CALIPERS.....	K-08	HANDLE SWITCH.....	F-13	OPTIONAL.....	L-15	SEAT.....	J-05	TRANSMISSION.....	E-06
CAM SHAFT - VALVE..	C-02	CYLINDER HEAD COVER	B-02	FRONT DAMPER.....	K-02	HANDLEBAR.....	H-14	RADIATOR HOSE.....	D-07	SIGNAL GENERATOR...	E-15	TURNSIGNAL LAMP....	F-09
CARBURETOR FITTINGS	C-09	CYLINDER HEAD.....	B-03	FRONT FENDER.....	H-13	HEADLAMP.....	F-07	RADIATOR.....	D-04	SPEEDOMETER.....	F-04	WATER PUMP.....	D-05
CARBURETOR.....	C-05	ELECTRICAL.....	F-03	FRONT MASTER CYLIND	K-12	INSTALLATION PARTS..	I-08	REAR CALIPER.....	L-09	STAND.....	G-04	WIRING HARNESS....	F-11
CLUTCH MASTER CYLIN	K-14	FOOTREST.....	G-05	FRONT WHEEL.....	K-06	INSTALLATION PARTS..	J-02	REAR CUSHION LEVER..	L-04	STARTER CLUTCH.....	R-14		
CLUTCH.....	E-02			FUEL COCK.....	G-14	LABEL.....	J-04	REAR FENDER.....	I-02	STARTING MOTOR.....	E-18		

FIG. 47

J 3

FIG. 47 (J-3) INSTALLATION PARTS (MODEL S/T/V/W)



REF. NO.	PART NO.	DESCRIPTION	Q'TY	REMARKS
23	03241-05123	SCREW, PANEL LOWER (5X12)	8	
24-1	09148-05013	NUT	8	MODEL S
24-2	09148-05004	NUT	8	MODEL T/V/W
25	94510-48E20	BRACE, COWLING	1	
26	01550-08303	BOLT, BRACE (8X30)	2	
27	09250-09001	CAP, DAMPER BOSS	1	
28	94428-17E21	BRACKET, HEADLAMP	1	
29	08316-10083	NUT	1	
30	94520-48E10	BRACE, COWLING REAR	1	
31	09116-06148	BOLT, BRACE (8X25)	2	
32	09320-09009	CUSHION	2	
33	94529-48E00	WASHER, BRACE INNER	2	
34	94452-48E20	PIPE, AIR INTAKE FRONT LH	1	
35	94453-48E20	PIPE, AIR INTAKE REAR RH	1	
36	94455-17E01	BRACKET, AIR INTAKE LH	1	
37	01550-06123	BOLT, BRACKET (8X12)	1	
38	02142-05123	SCREW, AIR INTAKE (8X12)	1	
39	94457-48E00	COVER, COWLING FRONT	1	
40	01570-06163	BOLT, COVER (8X16)	2	
41	09169-06041	WASHER	2	

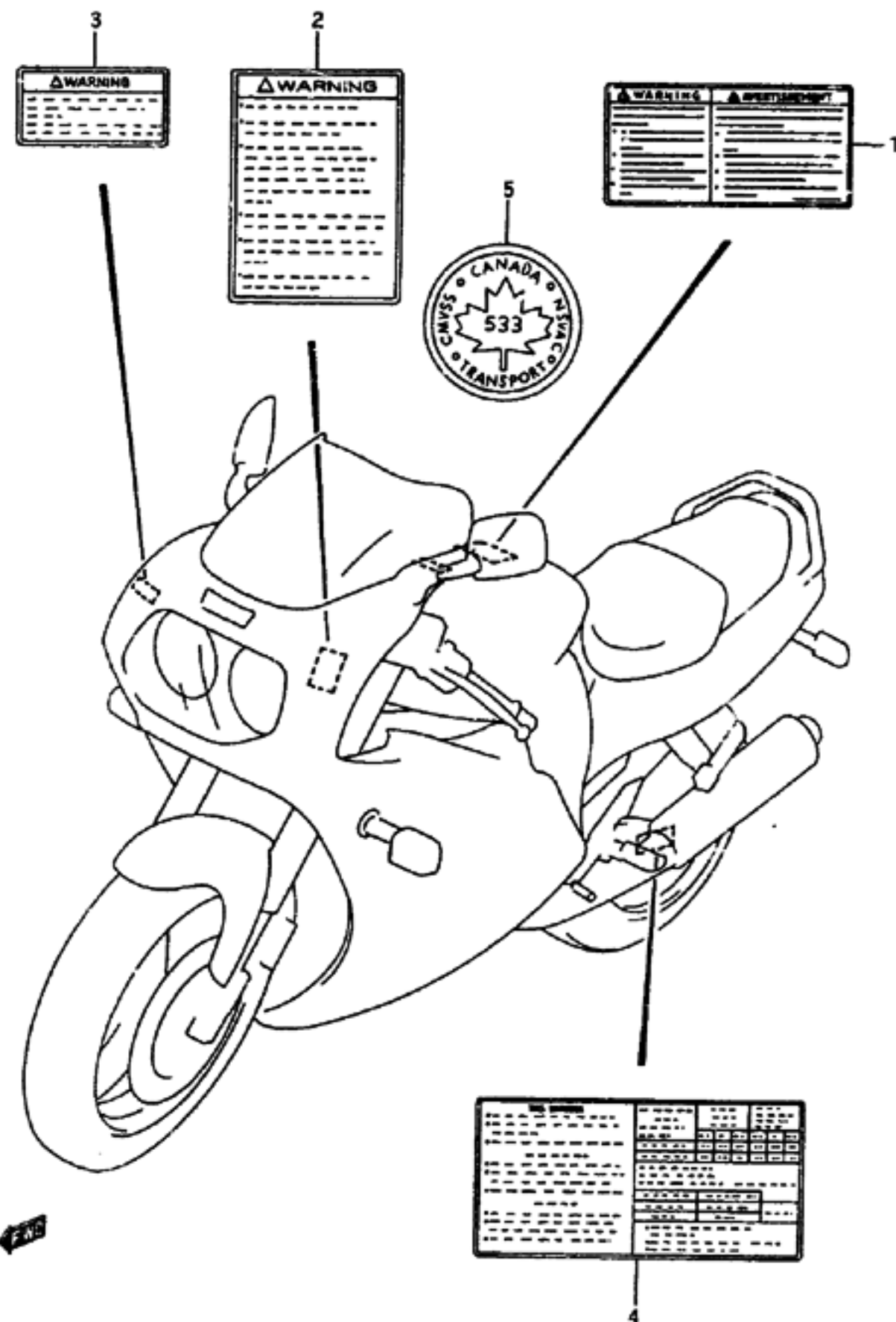
GSX-R1100NW E28
103

AIR CLEANER.....	C-11	COWLING BODY.....	I-04	FRAME COVER.....	H-02	FUEL TANK.....	G-09	MUFFLER.....	D-02	REAR MASTER CYLINDER	L-11	STEERING DAMPER.....	K-05
ALTERNATOR.....	E-11	CRANKCASE COVER.....	B-09	FRAME.....	G-02	GEAR SHIFTING.....	E-08	OIL COOLER.....	D-04	REAR SWINGING ARM..	L-02	STEERING STEM.....	K-04
BATTERY.....	F-02	CRANKCASE.....	B-06	FRONT BRAKE HOSE.....	K-10	HANDLE LEVER.....	H-16	OIL PAN - OIL PUMP..	B-10	REAR WHEEL.....	L-06	TAIL LAMP.....	F-10
CAM CHAIN.....	C-04	CRANKSHAFT.....	B-12	FRONT CALIPERS.....	K-08	HANDLE SWITCH.....	F-13	OPTIONAL.....	L-15	SEAT.....	J-05	TRANSMISSION.....	E-06
CAM SHAFT - VALVE..	C-02	CYLINDER HEAD COVER	B-02	FRONT DAMPER.....	K-02	HANDLEBAR.....	H-14	RADIATOR HOSE.....	D-07	SIGNAL GENERATOR...	E-15	TURN SIGNAL LAMP...	F-09
CARBURETOR FITTINGS	C-09	CYLINDER HEAD.....	B-03	FRONT FENDER.....	H-13	HEADLAMP.....	F-07	RADIATOR.....	D-06	SPEEDOMETER.....	F-04	WATER PUMP.....	D-05
CARBURETOR.....	C-05	CYLINDER.....	B-05	FRONT MASTER CYLIND	K-12	INSTALLATION PARTS..	I-08	REAR CALIPER.....	L-09	STAND.....	G-04	WIRING HARNESS.....	F-11
CLUTCH MASTER CYLIN	K-14	ELECTRICAL.....	F-03	FRONT WHEEL.....	K-06	INSTALLATION PARTS..	J-82	REAR CUSHION LEVER..	L-04	STARTER CLUTCH.....	B-14		
CLUTCH.....	E-02	FOOTREST.....	G-05	FUEL COCK.....	G-14	LABEL.....	J-84	REAR FENDER.....	I-02	STARTING NOTOR.....	E-10		

FIG. 48

J 4

FIG. 48 (J- 4) LABEL



REF. NO.	PART NO.	DESCRIPTION	Q'TY	REMARKS
1-1	68319-40C10	LABEL, WARNING SAFETY	1	MODEL P/R/S
1-2	68319-33E10	LABEL, WARNING SAFETY	1	MODEL T/V/W
2-1	68612-48B00	LABEL, WARNING SCREEN	1	
2-2	68612-46B10	LABEL, WARNING SCREEN (FRENCH)	1	
3-1	68613-40C00	LABEL, WARNING STEERING	1	MODEL P/R/S/T/V
3-2	68613-21E00	LABEL, WARNING STEERING	1	MODEL W
4-1	68332-46E10	LABEL, TIRE AIR PRESSURE	1	MODEL P/R
4-2	68332-46E21	LABEL, TIRE AIR PRESSURE	1	MODEL S/T/V
4-3	68332-46E30	LABEL, TIRE INFORMATION	1	MODEL W
5	68318-26601	PLATE, NATIONAL SAFETY	1	MODEL P/R/S
6-1	99011-46E50-032	MANUAL, OWNER'S	1	MODEL P
6-2	99011-46E51-01L	MANUAL, OWNER'S	1	MODEL R
6-3	99011-46E52-GSW	MANUAL, OWNER'S	1	MODEL S
6-4	99011-46E53-GSW	MANUAL, OWNER'S	1	MODEL T
6-5	99011-46E54-GSW	MANUAL, OWNER'S	1	MODEL V
6-6	99011-46E55-GSW	MANUAL, OWNER'S	1	MODEL W DRAWING NOT SHOWN

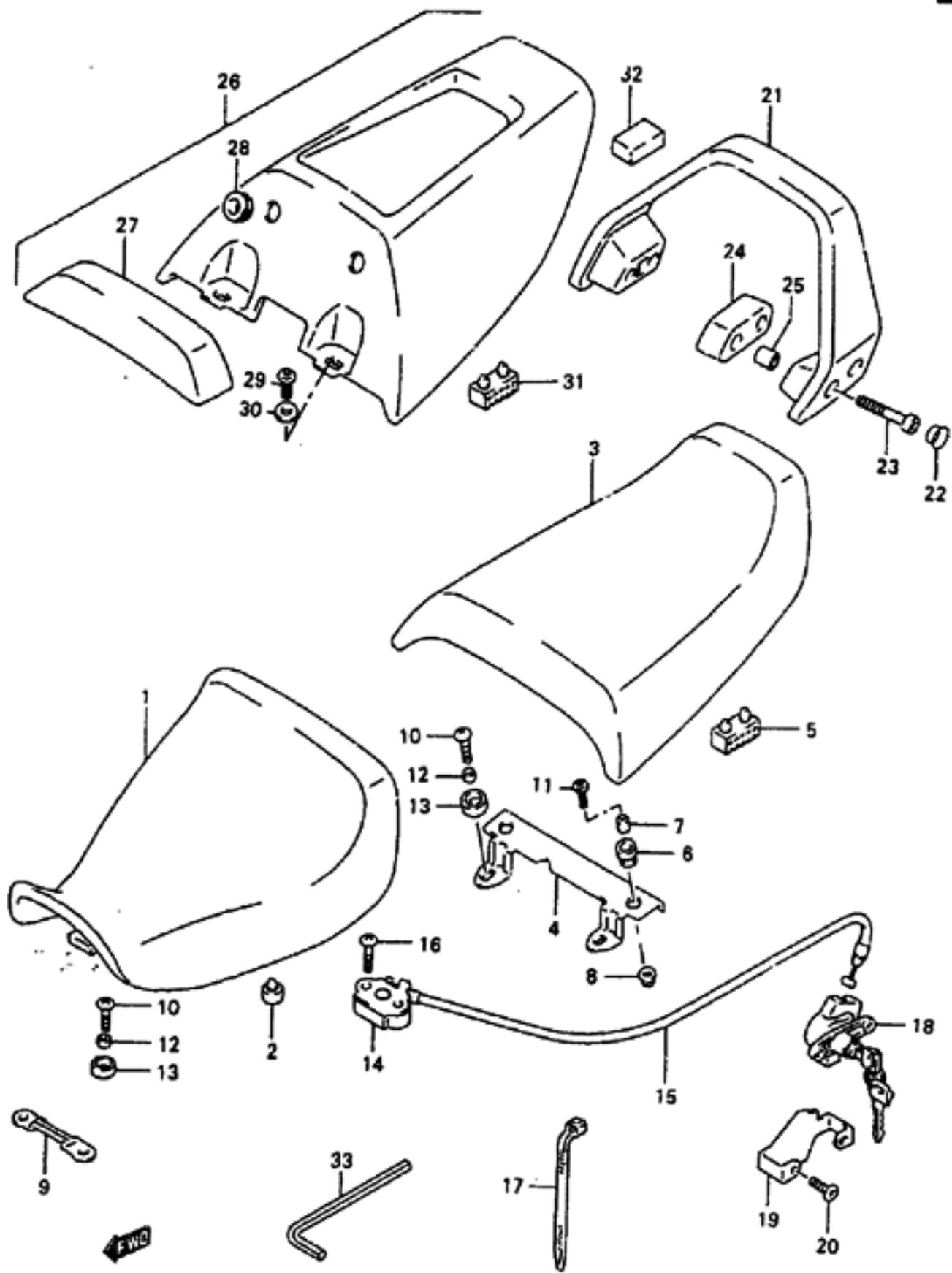
GSX-R1100CW E28

AIR CLEANER.....	C-11	COWLING BODY.....	I-04	FRAME COVER.....	H-02	FUEL TANK.....	G-09	MUFFLER.....	D-02	REAR MASTER CYLINDER	L-11	STEERING DAMPER.....	K-05
ALTERNATOR.....	E-11	CRANKCASE COVER.....	B-09	FRAME.....	G-02	GEAR SHIFTING.....	E-08	OIL COOLER.....	D-04	REAR SWINGING ARM..	L-02	STEERING STEM.....	K-04
BATTERY.....	F-02	CRANKCASE.....	B-06	FRONT BRAKE HOSE...	K-10	HANDLE LEVER.....	H-16	OIL PAN - OIL PUMP..	B-10	REAR WHEEL.....	L-06	TAIL LAMP.....	F-10
CAM CHAIN.....	C-04	CRANKSHAFT.....	B-12	FRONT CALIPERS.....	K-08	HANDLE SWITCH.....	F-15	OPTIONAL.....	L-13	SEAT.....	J-05	TRANSMISSION.....	E-06
CAM SHAFT - VALVE..	C-02	CYLINDER HEAD COVER	B-02	FRONT DAMPER.....	K-02	HANDLEBAR.....	H-14	RADIATOR HOSE.....	D-07	SIGNAL GENERATOR...	E-15	TURN SIGNAL LAMP....	F-09
CARBURETOR FITTINGS	C-09	CYLINDER HEAD.....	B-03	FRONT FENDER.....	H-13	HEADLAMP.....	F-07	RADIATOR.....	D-04	SPEEDOMETER.....	F-04	WATER PUMP.....	D-05
CARBURETOR.....	C-05	CYLINDER.....	B-05	FRONT MASTER CYLIND	K-12	INSTALLATION PARTS..	I-08	REAR CALIPER.....	L-09	STAND.....	G-04	WIRING HARNESS.....	F-11
CLUTCH MASTER CYLIN	K-14	ELECTRICAL.....	F-03	FRONT WHEEL.....	K-06	INSTALLATION PARTS..	J-02	REAR CUSHION LEVER..	L-04	STARTER CLUTCH.....	B-14		
CLUTCH.....	E-02	FOOTREST.....	R-05	FUEL COCK.....	G-14	LABEL.....	J-04	REAR FENDER.....	I-02	STARTING MOTOR.....	E-10		

FIG.49

J 5

FIG.49 (J-5) SEAT



REF. NO.	PART NO.	DESCRIPTION	Q'TY	REMARKS
1	45100-46E00-58R	SEAT ASSY (BLACK)	1	
2	09321-10011	.CUSHION	2	
3-1	45300-46E00-58R	SEAT ASSY, PILLION (BLACK)	1	
3-2	45300-46E00-5FM	SEAT ASSY, PILLION (BLUE)	1	MODEL R FOR M18
4	45321-46E00	.PLATE, SEAT LOCK	1	
5	45149-31300	.CUSHION	2	
6	45215-08800	.CUSHION	2	
7	45216-06800	.SPACER	2	
8	08318-10063	.NUT	2	
9-1	45119-46E00	PLATE, SEAT FRONT	1	MODEL P
9-2	45119-17E00	PLATE, SEAT FRONT	1	MODEL R/S/T/V/W
10-1	02142-06164	SCREW, FRONT	4	MODEL P
10-2	09139-06052	SCREW, FRONT (6X14)	4	MODEL R
10-3	09139-06081	SCREW, FRONT (6X14)	4	MODEL S/T/V/W
11	09139-06027	SCREW, PILLION (6X12)	2	
12	09180-06053	SPACER	4	MODEL P
13	45149-04A00	CUSHION, SEAT SUPPORT	4	
14	45220-46E00	BRACKET, SEAT SUPPORT REAR	1	
15	45280-46E00	CABLE, SEAT LOCK	1	
16-1	02112-06255	SCREW	2	MODEL P
16-2	02122-06253	SCREW	2	MODEL R/S/T/V/W
17	09407-18403	CLAMP	2	MODEL P/R/S
18-1	95700-12851	LOCK SET, SEAT	1	MODEL P/R
18-2	95700-12852	LOCK SET, SEAT	1	MODEL S/T/V/W
19-1	45289-45D00	PLATE, SEAT LOCK GUARD	1	MODEL P
19-2	45289-45D01	PLATE, SEAT LOCK GUARD	1	MODEL R/S/T/V/W
20	09139-06075	SCREW (6X12)	2	

GSX-R1100WW E28

105

AIR CLEANER.....	C-11	COUPLING BODY.....	I-04	FRAME COVER.....	H-02	FUEL TANK.....	G-09	MUFFLER.....	D-02	REAR MASTER CYLINDER	L-11	STEERING DAMPER.....	K-05
ALTERNATOR.....	E-11	CRANKCASE COVER.....	B-09	FRAME.....	G-02	GEAR SHIFTING.....	E-08	OIL COOLER.....	D-04	REAR SWINGING ARM..	L-02	STEERING STEM.....	K-04
BATTERY.....	F-02	CRANKCASE.....	B-06	FRONT BRAKE HOSE...	K-10	HANDLE LEVER.....	H-16	OIL PAN - OIL PUMP..	B-10	REAR WHEEL.....	L-06	TAIL LAMP.....	F-10
CAM CHAIN.....	C-04	CRANKSHAFT.....	B-12	FRONT CALIPERS.....	K-08	HANDLE SWITCH.....	F-13	OPTIONAL.....	L-13	SEAT.....	J-05	TRANSMISSION.....	E-06
CAM SHAFT - VALVE..	C-02	CYLINDER HEAD COVER	B-02	FRONT DANPER.....	K-02	HANDLEBAR.....	H-14	RADIATOR HOSE.....	D-07	SIGNAL GENERATOR...	E-15	TURNSIGNAL LAMP....	F-09
CARBURETOR FITTINGS	C-09	CYLINDER HEAD.....	B-03	FRONT FENDER.....	H-13	HEADLAMP.....	F-07	RADIATOR.....	D-06	SPEEDOMETER.....	F-04	WATER PUMP.....	D-05
CARBURETOR.....	C-05	CYLINDER.....	B-05	FRONT MASTER CYLIND	K-12	INSTALLATION PARTS..	I-08	REAR CALIPER.....	L-09	STAND.....	G-04	WIRING HARNESS....	F-11
CLUTCH MASTER CYLIN	K-14	ELECTRICAL.....	F-03	FRONT WHEEL.....	K-06	INSTALLATION PARTS..	J-02	REAR CUSHION LEVER..	L-04	STARTER CLUTCH.....	B-14		
CLUTCH.....	E-02	FOOTREST.....	G-05	FUEL COCK.....	G-14	LABEL.....	J-04	REAR FENDER.....	I-02	STARTING MOTOR.....	E-10		

FIG.49

J 6

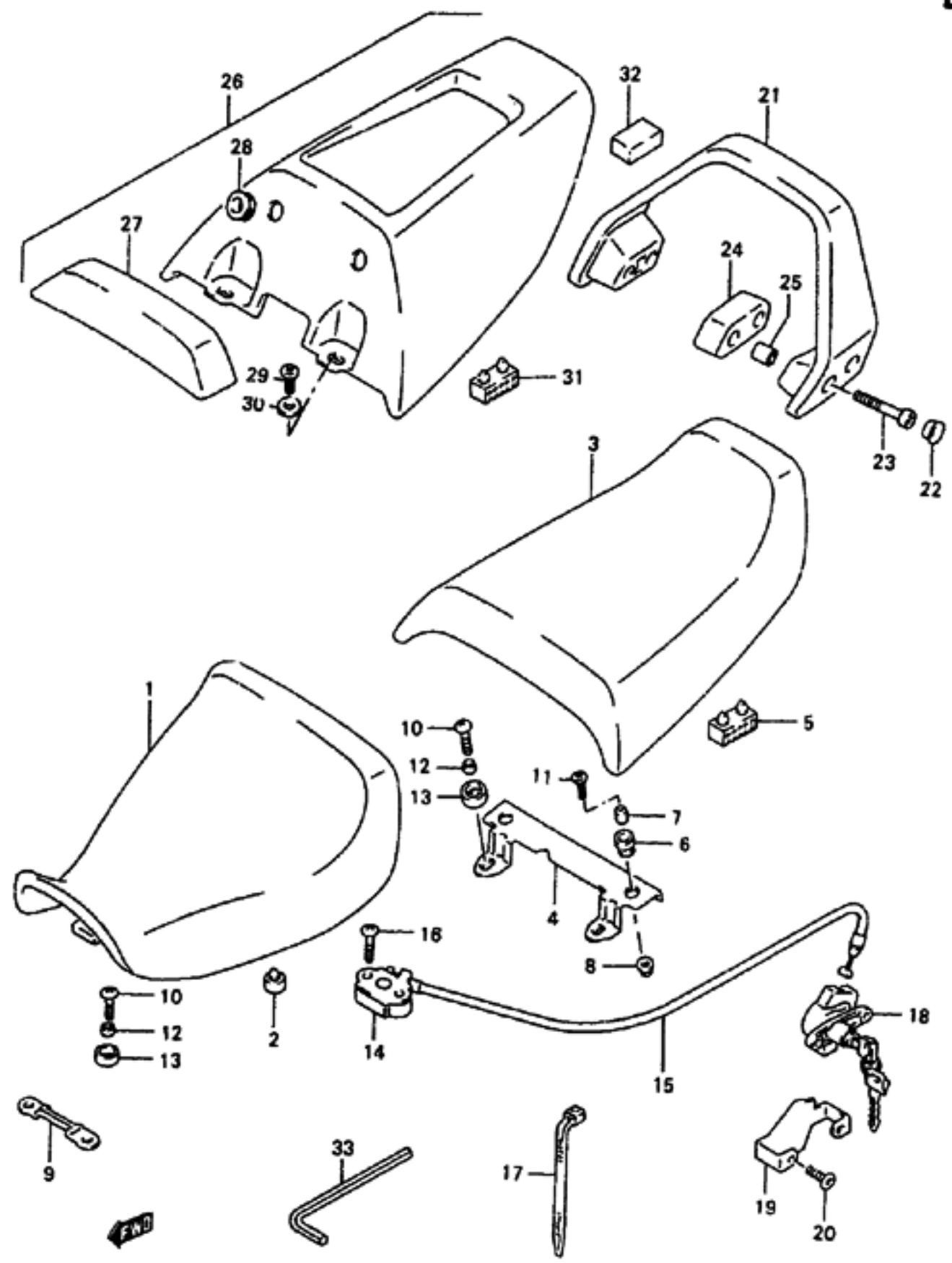


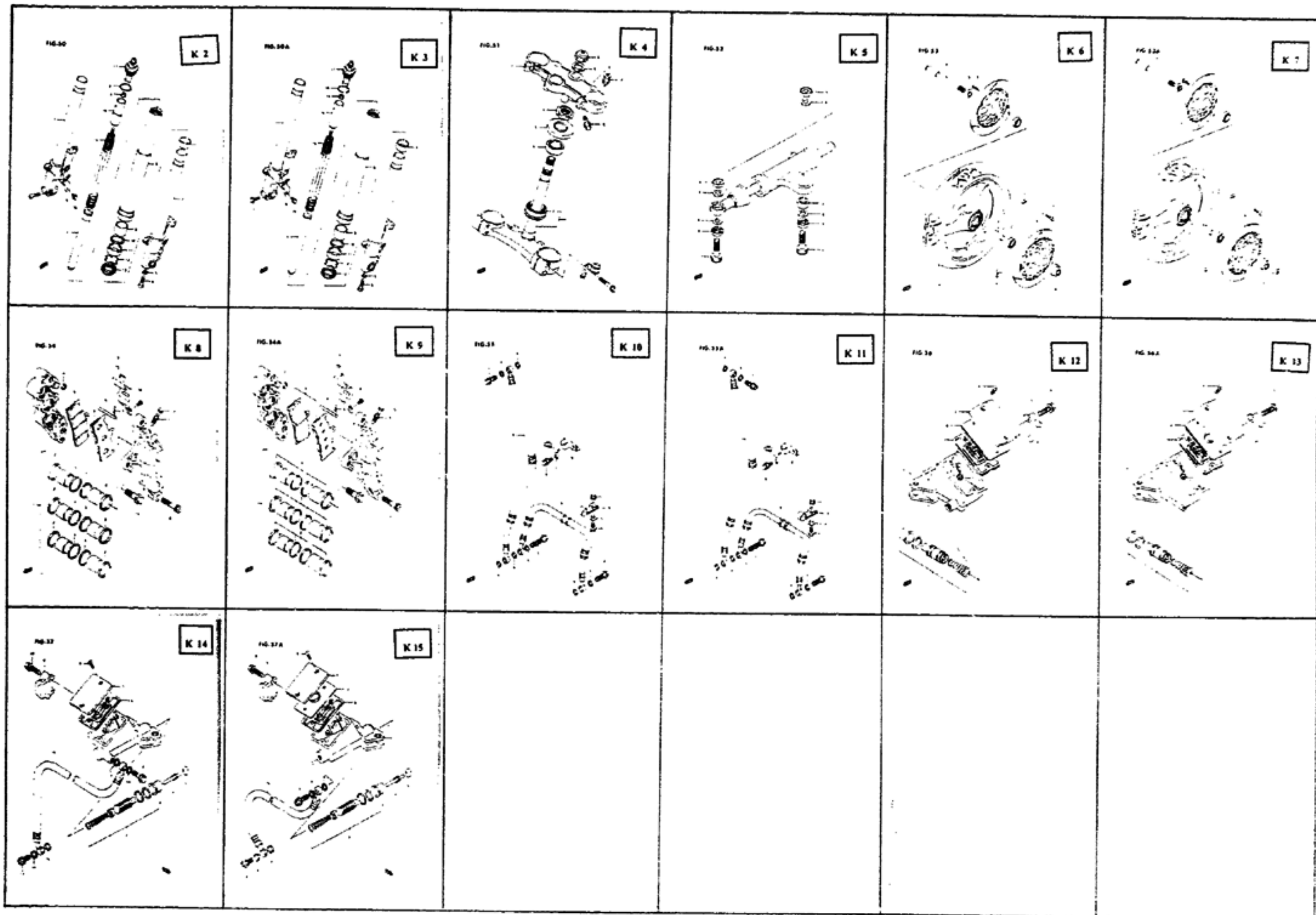
FIG.49 (J- 6) SEAT

REF. NO.	PART NO.	DESCRIPTION	Q'TY	REMARKS
21-1	46211-46E00-0JW	HANDLE, PILLION RIDER (WHITE)	1	FOR #18, E9P, G4V, K1V
21-2	46211-46E00-33J	HANDLE, PILLION RIDER (BLACK)	1	FOR 17U, 33J, A8G, G2P
21-3	46211-46E00-17U	HANDLE, PILLION RIDER (GRAY)	1	FOR C3B
21-4	46211-46E00-35W	HANDLE, PILLION RIDER (GRAY)	1	FOR G2E
22	09250-06004	CAP	4	
23-1	07110-08655	SOLT	4	MODEL P
23-2	07130-08653	BOLT	4	MODEL R/S/T/V/W
24-1	46238-46E00	CUSHION, RH	1	
24-2	46239-46E00	CUSHION, LH	1	
25	09180-08180	SPACER	4	
26-1	45500-46810-0JW	BOX SET, SEAT TAIL (WHITE)	1	OPT. MODEL R/S FOR #18 MODEL V FOR G4V MODEL W FOR K1V
26-2	45500-46810-33J	BOX SET, SEAT TAIL (BLACK)	1	OPT. MODEL P FOR 17U, 33J MODEL R FOR 33J MODEL S FOR A8G MODEL T FOR E9P MODEL V FOR G2P
26-3	45500-46810-17U	BOX SET, SEAT TAIL (GRAY)	1	OPT. MODEL T FOR C3B
26-4	45500-46810-35W	BOX SET, SEAT TAIL (GRAY)	1	OPT. MODEL W FOR G2E
27	46220-46E00-58R	BACKREST, SEAT (BLACK)	1	OPT
28	09320-12031	CUSHION	2	OPT
29	09139-06087	BOLT (6X16)	2	OPT
30	09160-06066	WASHER	2	OPT
31	45149-31300	CUSHION	2	OPT
32	45591-12C00	PROTECTOR	2	OPT
33	09816-00103	HEXAGON, SPANNER, 4	1	

COLOR : #18 = 0JW (WHITE), 1LE (BLUE)
 COLOR : A8G = 33J (BLACK), 1TY (RED)
 COLOR : E9P = 212 (BLUE), 0JW (WHITE)
 COLOR : C3B = 17U (GRAY), 1TU (PURPLE)
 COLOR : G4V = YOP (BLUE), 0JW (WHITE)
 COLOR : G2P = 22U (MARDON), 33J (BLACK)
 COLOR : K1V = YON (BLUE), 0JW (WHITE)
 COLOR : G2E = 35W (GRAY), 33J (BLACK)

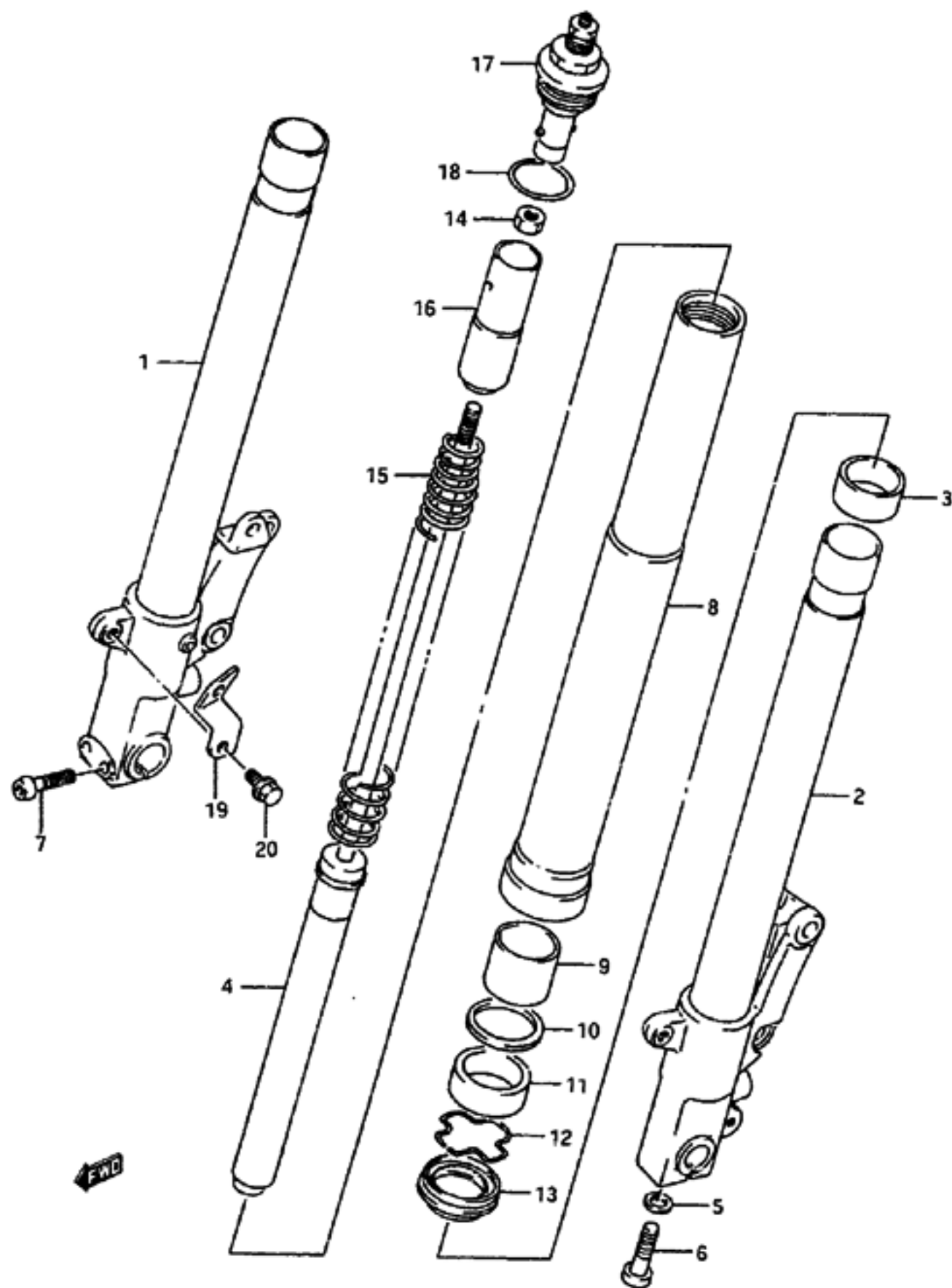
GSX-R1100NW E28

AIR CLEANER.....	C-11	CONVING BODY.....	I-04	FRAME COVER.....	H-02	FUEL TANK.....	G-09	MUFFLER.....	D-02	REAR MASTER CYLINDER	L-11	STEERING DANPER....	K-05
ALTERNATOR.....	E-11	CRANKCASE COVER...	B-09	FRAME.....	G-02	GEAR SHIFTING.....	E-08	OIL COOLER.....	D-04	REAR SWINGING ARM..	L-02	STEERING STEM.....	K-04
BATTERY.....	F-02	CRANKCASE.....	B-06	FRONT BRAKE HOSE...	K-10	HANDLE LEVER.....	H-16	OIL PAN - OIL PUMP..	B-10	REAR WHEEL.....	L-06	TAIL LAMP.....	F-10
CAM CHAIN.....	C-04	CRANKSHAFT.....	B-12	FRONT CALIPERS.....	K-08	HANDLE SWITCH.....	F-13	OPTIONAL.....	L-13	SEAT.....	J-05	TRANSMISSION.....	E-06
CAM SHAFT - VALVE..	C-02	CYLINDER HEAD COVER	B-02	FRONT DAMPER.....	K-02	HANDLEBAR.....	H-14	RADIATOR NOSE.....	D-07	SIGNAL GENERATOR...	E-15	TURNSIGNAL LAMP...	F-09
CARBURETOR FITTINGS	C-09	CYLINDER HEAD.....	B-03	FRONT FENDER.....	H-13	HEADLAMP.....	F-07	RADIATOR.....	D-06	SPEEDOMETER.....	F-04	WATER PUMP.....	D-05
CARBURETOR.....	C-05	CYLINDER.....	B-05	FRONT MASTER CYLIND	K-12	INSTALLATION PARTS..	I-08	REAR CALIPER.....	L-09	STAND.....	G-04	WIRING HARNESS.....	F-11
CLUTCH MASTER CYLIN	K-14	ELECTRICAL.....	F-03	FRONT WHEEL.....	K-06	INSTALLATION PARTS..	J-02	REAR CUSHION LEVER..	L-04	STARTER CLUTCH.....	B-14		
CLUTCH.....	E-02	FOOTREST.....	C-05	FUEL COCK.....	G-14	LABEL.....	J-04	REAR FENDER.....	I-02	STARTING NOTOR.....	E-10		



AIR CLEANER.....	C-11	CONVING BODY.....	I-04	FRAME COVER.....	H-02	FUEL TANK.....	G-09	MUFFLER.....	D-02	REAR MASTER CYLINDE	L-11	STEERING DAMPER.....	K-05
ALTERNATOR.....	E-11	CRANKCASE COVER....	B-09	FRAME.....	G-02	GEAR SHIFTING.....	E-08	OIL COOLER.....	D-04	REAR SWINGING ARM..	L-02	STEERING STEM.....	K-04
BATTERY.....	F-02	CRANKCASE.....	B-06	FRONT BRAKE HOSE...	K-10	HANDLE LEVER.....	H-16	OIL PAN - OIL PUMP..	B-10	REAR WHEEL.....	L-06	TAIL LAMP.....	F-10
CAM CHAIN.....	C-04	CRANKSHAFT.....	B-12	FRONT CALIPERS.....	K-08	HANDLE SWITCH.....	F-13	OPTIONAL.....	L-13	SEAT.....	J-05	TRANSMISSION.....	E-06
CAM SHAFT - VALVE..	C-02	CYLINDER HEAD COVER	B-02	FRONT DAMPER.....	K-02	HANDLEBAR.....	H-14	RADIATOR HOSE.....	D-07	SIGNAL GENERATOR...	E-15	TURN SIGNAL LAMP...	F-09
CARBURETOR FITTINGS	C-09	CYLINDER HEAD.....	B-03	FRONT FENDER.....	H-13	HEADLAMP.....	F-07	RADIATOR.....	D-06	SPEEDOMETER.....	F-04	WATER PUMP.....	D-05
CARBURETOR.....	C-05	CYLINDER.....	B-05	FRONT MASTER CYLIND	K-12	INSTALLATION PARTS..	I-08	REAR CALIPER.....	L-09	STAND.....	G-04	WIRING HARNESS.....	F-11
CLUTCH MASTER CYLIN	K-14	ELECTRICAL.....	F-03	FRONT WHEEL.....	K-06	INSTALLATION PARTS..	J-02	REAR CUSHION LEVER..	L-04	STARTER CLUTCH.....	B-14		
CLUTCH.....	E-02	FOOTREST.....	G-05	FUEL COCK.....	B-14	LABEL.....	J-04	REAR FENDER.....	I-02	STARTING MOTOR.....	E-10		

FIG.50



K 2

FIG.50 (K- 2) FRONT DAMPER (MODEL P/R)

REP. NO.	PART NO.	DESCRIPTION	Q'TY	REMARKS
	51103-46E00	DAMPER ASSY, FRONT FORK RH	1	
	51104-46E00	DAMPER ASSY, FRONT FORK LH	1	
1	51110-46E00	.TUBE, INNER RH	1	
2	51120-46E00	.TUBE, INNER LH	1	
3	51121-28C00	.PISTON	2	
4	51146-46E00	.CYLINDER ASSY	2	
5	51148-40300	.GASKET	2	
6	51147-40C00	.BOLT	2	
7	51766-40C40	.BOLT, INNER TUBE RH	2	
8	51130-46E00	.TUBE, OUTER	2	
9	51167-40C40	.METAL, SLIDE	2	
10	51158-05A00	.WASHER	2	
11	51153-28C00	.SEAL, OIL	2	
12	51156-49440	.RING, SNAP	2	
13	51173-46E00	.SEAL, DUST	2	
14	51352-13A60	.NUT, LOD	2	
15	51171-46E00	.SPRING, MAIN	2	
16	51176-46E00	.SPACER, SPRING	2	
17	51351-46E00	.CAP	2	
18	51117-28C00	.O RING	2	
19-1	51580-17D10	PLATE, FRONT FENDER RH	1	
19-2	51590-17D10	PLATE, FRONT FENDER LH	1	
20	01550-08127	BOLT	2	

REFER TO FIG.50A(K- 3) FOR MODEL S/T/V/W

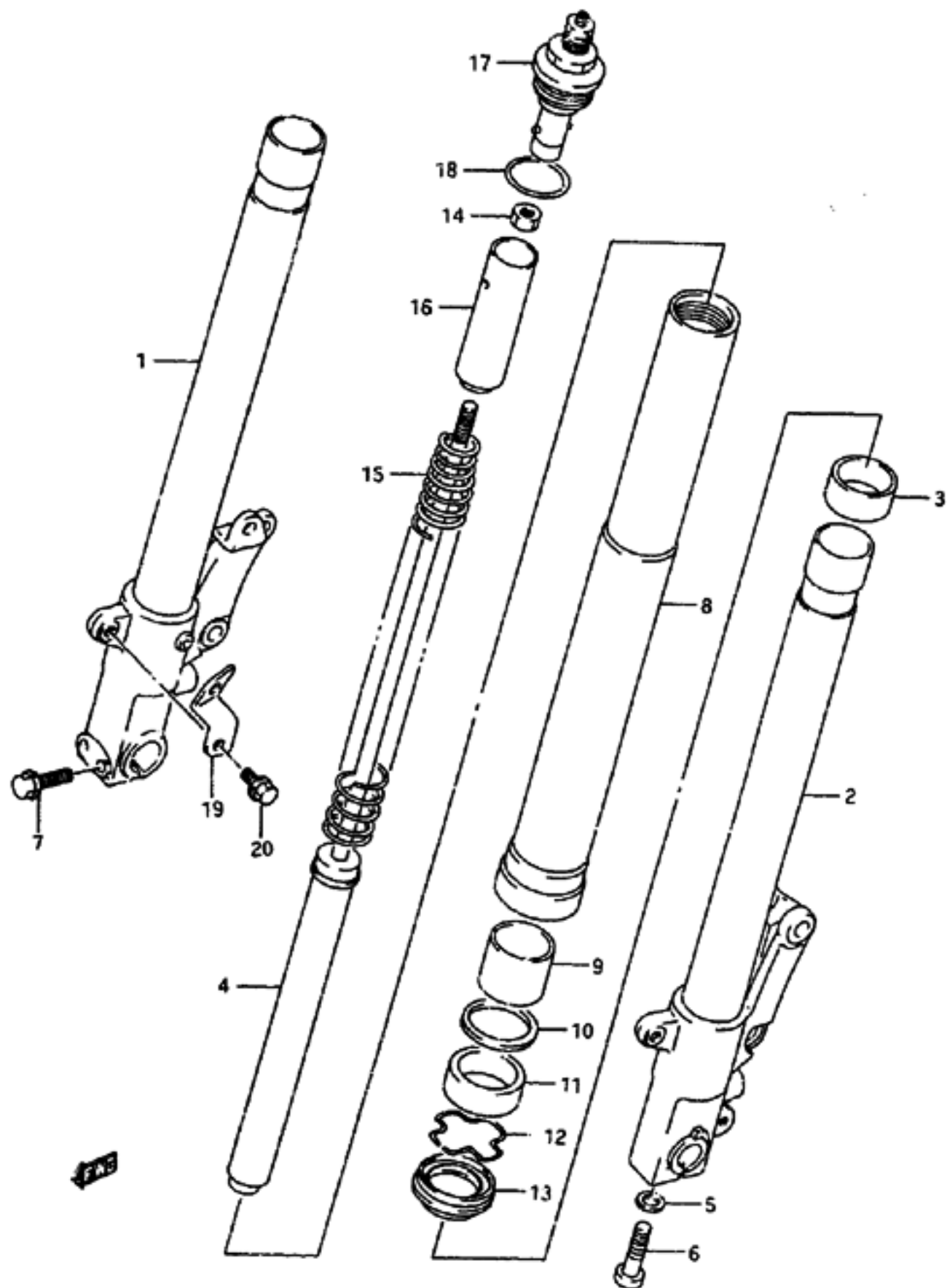
GSX-R1100NW E28

AIR CLEANER.....	C-11	CONRING BODY.....	I-04	FRAME COVER.....	H-02	FUEL TANK.....	G-09	MUFFLER.....	D-02	REAR MASTER CYLINDER	L-11	STEERING DAMPER.....	K-05
ALTERNATOR.....	E-11	CRANKCASE COVER.....	B-09	FRAME.....	G-02	GEAR SHIFTING.....	E-08	OIL COOLER.....	D-04	REAR SWINGING ARM..	L-02	STEERING STEM.....	K-04
BATTERY.....	F-02	CRANKCASE.....	B-06	FRONT BRAKE HOSE.....	K-10	HANDLE LEVER.....	H-16	OIL PAN - OIL PUMP..	B-10	REAR WHEEL.....	L-04	TAIL LAMP.....	F-10
CAM CHAIN.....	C-24	CRANKSHAFT.....	B-12	FRONT CALIPERS.....	K-08	HANDLE SWITCH.....	F-13	OPTIONAL.....	L-13	SEAT.....	J-05	TRANSMISSION.....	E-06
CAM SHAFT - VALVE..	C-02	CYLINDER HEAD COVER	B-02	FRONT DAMPER.....	K-02	HANDLEBAR.....	H-14	RADIATOR HOSE.....	D-07	SIGNAL GENERATOR...	E-15	TURNSIGNAL LAMP....	F-09
CARBURETOR FITTINGS	C-09	CYLINDER HEAD.....	B-03	FRONT FENDER.....	H-13	HEADLAMP.....	F-07	RADIATOR.....	D-04	SPEEDOMETER.....	F-04	WATER PUMP.....	D-05
CARBURETOR.....	C-05	CYLINDER.....	B-05	FRONT MASTER CYLIND	K-12	INSTALLATION PARTS..	I-08	REAR CALIPER.....	L-09	STAND.....	G-04	WIRING HARNESS....	F-11
CLUTCH MASTER CYLIN	K-14	ELECTRICAL.....	F-03	FRONT WHEEL.....	K-06	INSTALLATION PARTS..	J-02	REAR CUSHION LEVER..	L-04	STARTER CLUTCH.....	B-14		
CLUTCH.....	E-02	FOOTREST.....	G-05	FUEL COCK.....	G-14	LABEL.....	J-04	REAR FENDER.....	I-02	STARTING MOTOR.....	C-10		

FIG. 50A

FIG. 50A(K- 3) FRONT DAMPER (MODEL S/T/V/W)

K 3



REF. NO.	PART NO.	DESCRIPTION	Q'TY	REMARKS
	51103-46E20	DAMPER ASSY. FRONT FORK RH	1	
	51104-46E20	DAMPER ASSY. FRONT FORK LH	1	
1	51110-46E20	.TUBE, INNER RH	1	
2	51120-46E20	.TUBE, INNER LH	1	
3	51121-40C00	.PISTON	2	
4	51146-46E20	.CYLINDER ASSY	2	
5	51148-40300	.GASKET	2	
6	51147-40C00	.BOLT	2	
7	01550-08507	.BOLT, INNER TUBE	4	
8	51130-46E20	.TUBE, OUTER	2	
9	51167-46E20	.METAL, SLIDE	2	
10	51158-14200	.WASHER	2	
11	51153-46E20	.SEAL, OIL	2	
12	51156-14200	.RING, SNAP	2	
13	51173-46E20	.SEAL, DUST	2	
14	51352-13A60	.NUT, LOD	2	
15	51171-46E20	.SPRING, MAIN	2	
16	51176-46E20	.SPACER, SPRING	2	
17	51351-46E20	.CAP	2	
18	62278-14100	.O RING	2	
19-1	51580-17D10	PLATE, FRONT FENDER RH	1	
19-2	51590-17D10	PLATE, FRONT FENDER LH	1	
20	01550-08123	BOLT	2	

GSX-R1100NW E28

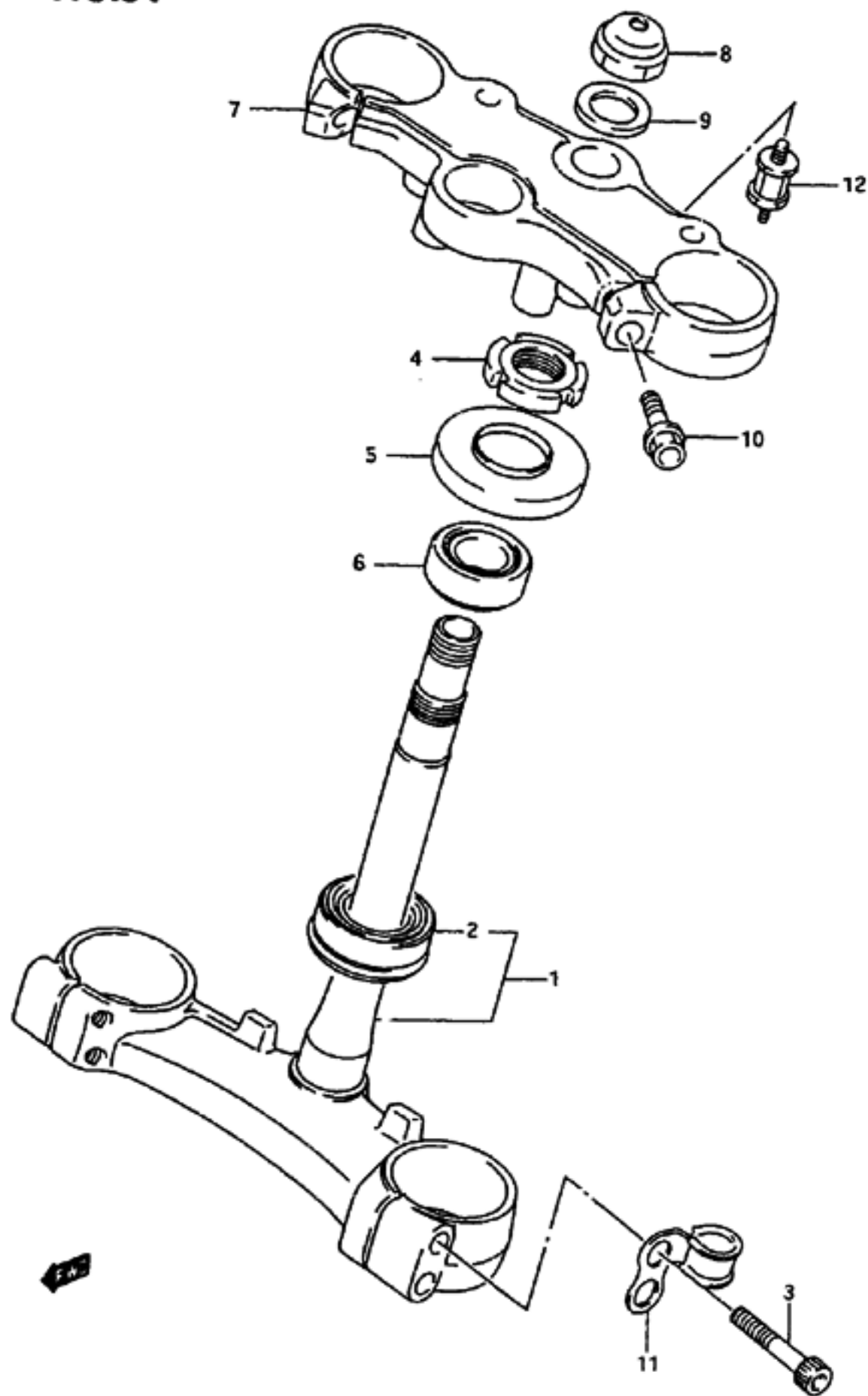
108

AIR CLEANER.....	C-11	COWLING BODY.....	I-04	FRAME COVER.....	H-02	FUEL TANK.....	G-09	MUFFLER.....	D-02	REAR MASTER CYLINDER	L-11	STEERING DAMPER.....	K-05
ALTERNATOR.....	E-11	CRANKCASE COVER.....	B-09	FRAME.....	G-02	REAR SHIFTING.....	E-08	OIL COOLER.....	D-04	REAR SWINGING ARM..	L-02	STEERING STEM.....	K-04
BATTERY.....	F-02	CRANKCASE.....	B-06	FRONT BRAKE HOSE...	K-10	HANDLE LEVER.....	H-16	OIL PAN - OIL PUMP..	B-10	REAR WHEEL.....	L-04	TAIL LAMP.....	F-10
CAM CHAIN.....	C-04	CRANKSHAFT.....	B-12	FRONT CALIPERS.....	K-08	HANDLE SWITCH.....	F-13	OPTIONAL.....	L-13	SEAT.....	J-05	TRANSMISSION.....	E-06
CAM SHAFT - VALVE..	C-02	CYLINDER HEAD COVER	B-02	FRONT DAMPER.....	K-02	HANDLEBAR.....	H-14	RADIATOR HOSE.....	D-07	SIGNAL GENERATOR...	E-15	TURN SIGNAL LAMP...	F-09
CARBURETOR FITTINGS	C-09	CYLINDER HEAD.....	B-03	FRONT FENDER.....	H-13	HEADLAMP.....	F-07	RADIATOR.....	D-04	SPEEDOMETER.....	F-04	WATER PUMP.....	D-05
CARBURETOR.....	C-05	ELECTRICAL.....	B-05	FRONT MASTER CYLIND	K-12	INSTALLATION PARTS..	I-08	REAR CALIPER.....	L-09	STAND.....	G-04	WIRING HARNESS.....	F-11
CLUTCH MASTER CYLIN	K-14	FOOTREST.....	G-05	FRONT WHEEL.....	K-04	INSTALLATION PARTS..	J-02	REAR CUSHION LEVER..	L-04	STARTER CLUTCH.....	B-14		
CLUTCH.....	E-02			FUEL COCK.....	G-14	LABEL.....	J-04	REAR FENDER.....	L-02	STARTING MOTOR.....	E-10		

FIG.51

K 4

FIG.51 (K- 4) STEERING STEM



REF. NO.	PART NO.	DESCRIPTION	Q'TY	REMARKS
1-1	51410-46E00	STEM, STEERING	1	MODEL P/R
1-2	51410-46E20	STEM, STEERING	1	MODEL S/T/V/W
2	09265-30009	BEARING (30X55X17)	1	
3-1	07110-10505	BOLT, LOWER	4	MODEL P/R
3-2	01550-08453	BOLT, LOWER	4	MODEL S/T/V/W
4	51631-28000	NUT, STEERING STEM	1	
5	09285-34009	DUST COVER, STEERING UPPER (34X69X11.9)	1	
6	09265-25019	BEARING (25X47X15)	1	
7-1	51311-46E00	HEAD, STEERING STEM	1	MODEL P/R
7-2	51311-46E20	HEAD, STEERING STEM	1	MODEL S/T/V/W
8	51353-28A10	NUT	1	
9	51356-24B01	WASHER	1	
10-1	51451-46E00	BOLT, UPPER	2	MODEL P/R
10-2	01550-08407	BOLT, UPPER	2	MODEL S/T/V/W
11	34938-17E10	CLAMP, METER CABLE	1	MODEL P/R
12	17788-10D00	CUSHION, METER	2	MODEL P/R

GSX-R1100NW E28

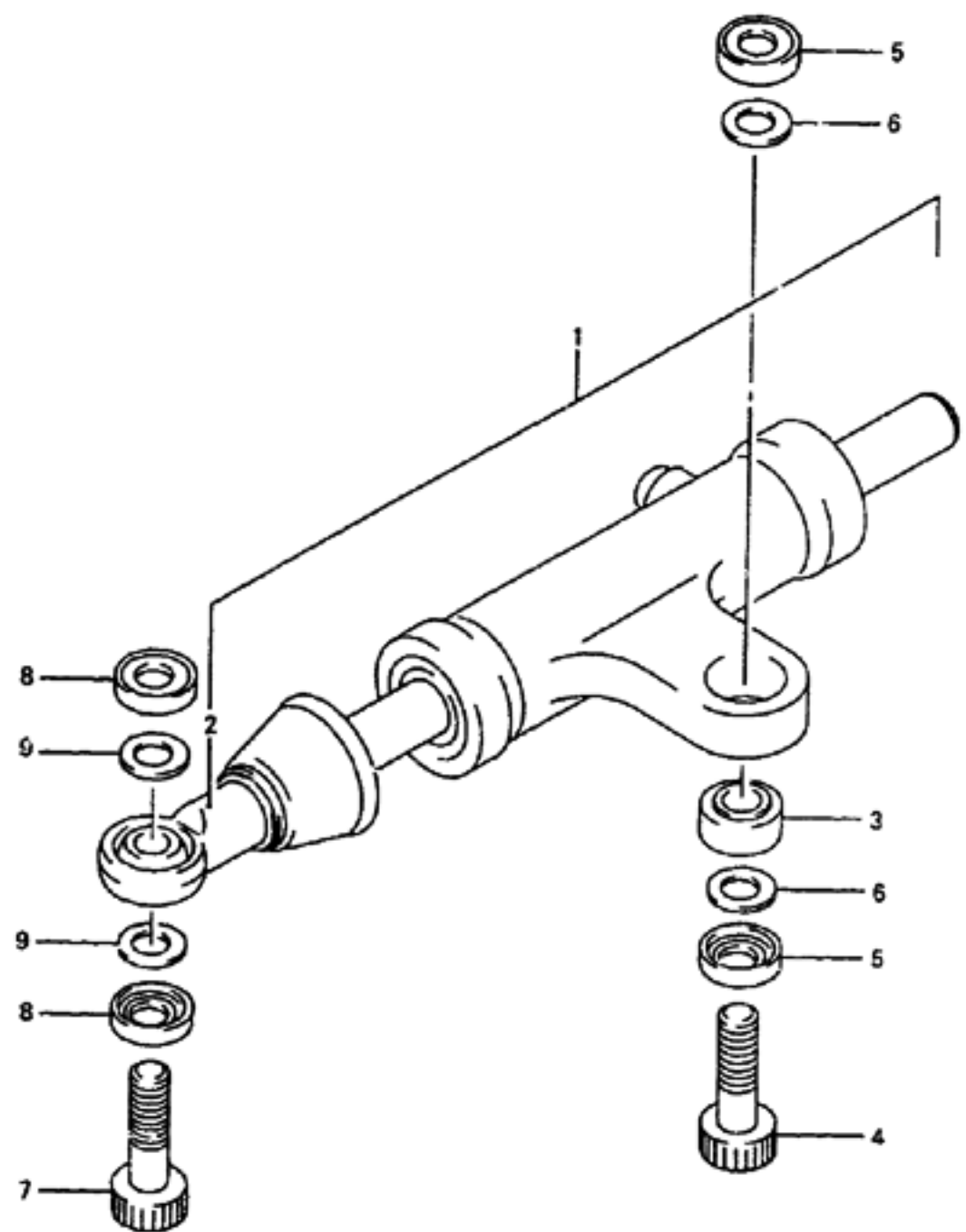
109

AIR CLEANER.....	C-11	COMLING BODY.....	I-04	FRAME COVER.....	H-02	FUEL TANK.....	G-09	MUFFLER.....	D-02	REAR MASTER CYLINDER	L-11	STEERING DAMPER.....	K-05
ALTERNATOR.....	E-11	CRANKCASE COVER.....	B-09	FRAME.....	G-02	GEAR SHIFTING.....	E-08	OIL COOLER.....	D-04	REAR SWINGING ARM..	L-02	STEERING STEM.....	K-04
BATTERY.....	F-02	CRANKCASE.....	B-06	FRONT BRAKE HOSE...	K-10	HANDLE LEVER.....	H-16	OIL PAN - OIL PUMP..	B-10	REAR WHEEL.....	L-06	TAIL LAMP.....	F-10
CAM CHAIN.....	C-04	CRANKSHAFT.....	B-12	FRONT CALIPERS.....	K-08	HANDLE SWITCH.....	F-13	OPTIONAL.....	L-13	SEAT.....	J-05	TRANSMISSION.....	E-06
CAM SHAFT - VALVE..	C-02	CYLINDER HEAD COVER	B-02	FRONT DAMPER.....	K-02	HANDLEBAR.....	H-14	RADIATOR HOSE.....	D-07	SIGNAL GENERATOR...	E-15	TURN SIGNAL LAMP...	F-09
CARBURETOR FITTINGS	C-09	CYLINDER HEAD.....	B-03	FRONT FENDER.....	H-13	HEADLAMP.....	F-07	RADIATOR.....	D-06	SPEEDOMETER.....	F-04	WATER PUMP.....	D-05
CARBURETOR.....	C-05	CYLINDER.....	B-05	FRONT MASTER CYLIND	K-12	INSTALLATION PARTS..	I-08	REAR CALIPER.....	L-09	STAND.....	G-04	WIRING HARNESS.....	F-11
CLUTCH MASTER CYL IN	K-14	ELECTRICAL.....	F-03	FRONT WHEEL.....	K-06	INSTALLATION PARTS..	J-02	REAR CUSHION LEVER..	L-04	STARTER CLUTCH.....	B-14		
CLUTCH.....	E-02	FOOTREST.....	G-05	FUEL COCK.....	G-14	LABEL.....	J-04	REAR FENDER.....	I-02	STARTING MOTOR.....	E-10		

FIG.52

K 5

FIG. 52 (K- 5) STEERING DAMPER



REF. NO.	PART NO.	DESCRIPTION	Q'TY	REMARKS
1	51750-48E00	DAMPER ASSY, STEERING	1	
2	51760-40C01	END, LOD	1	
3	09269-08003	BEARING (8X17.5X11)	1	
4-1	07130-08307	BOLT	1	MODEL P/R
4-2	07130-08303	BOLT	1	MODEL S/T/V/W
5	64339-40410	DUST SEAL	2	
6-1	08221-08126	SHIM	2	MODEL P/R/S/T
6-2	09181-08106	SHIM	2	MODEL V/W
7-1	07130-08307	BOLT	1	MODEL P/R
7-2	07130-08303	BOLT	1	MODEL S/T/V/W
8	64339-40410	DUST SEAL	2	
9-1	08221-08126	SHIM	2	MODEL P/R/S/T
9-2	09181-08106	SHIM	2	MODEL V/W

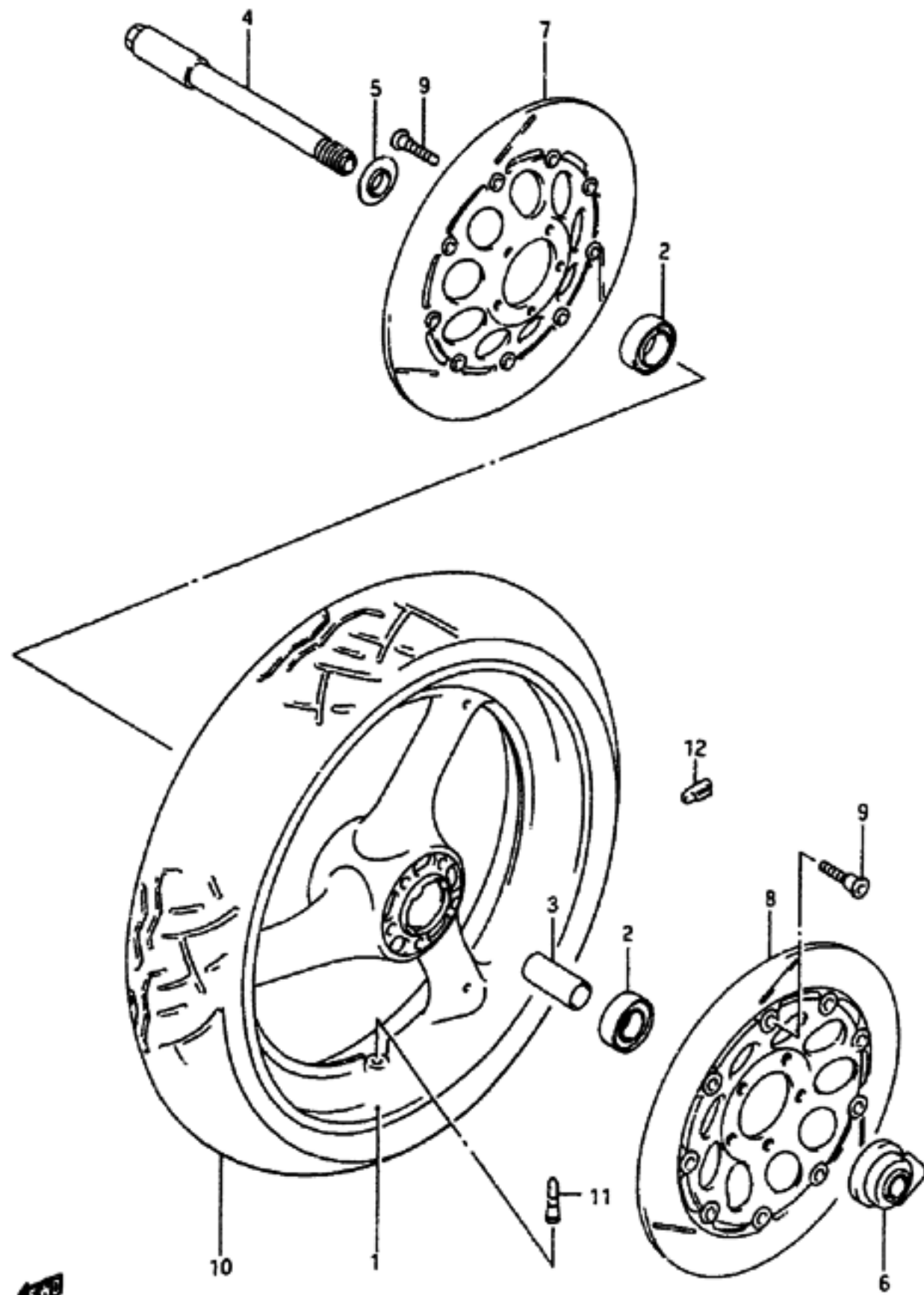
GSX-R1100W E28

AIR CLEANER..... C-11	COWLING BODY..... I-04	FRAME COVER..... H-02	FUEL TANK..... G-09	MUFFLER..... D-02	REAR MASTER CYLINDER..... L-11	STEERING DAMPER..... K-05
ALTERNATOR..... E-11	CRANKCASE COVER..... B-09	FRAME..... G-02	GEAR SHIFTING..... E-08	OIL COOLER..... D-04	REAR SWINGING ARM..... L-02	STEERING STEM..... K-04
BATTERY..... F-02	CRANKCASE..... B-06	FRONT BRAKE HOSE..... K-10	HANDLE LEVER..... H-16	OIL PAN - OIL PUMP..... B-10	REAR WHEEL..... L-06	TAIL LAMP..... F-10
CAM CHAIN..... C-04	CRANKSHAFT..... B-12	FRONT CALIPERS..... K-08	HANDLE SWITCH..... F-13	OPTIONAL..... L-13	SEAT..... J-05	TRANSMISSION..... E-06
CAM SHAFT - VALVE..... C-02	CYLINDER HEAD COVER..... B-02	FRONT DAMPER..... K-02	HANDLEBAR..... H-14	RADIATOR HOSE..... D-07	SIGNAL GENERATOR..... E-15	TURN SIGNAL LAMP..... F-09
CARBURETOR FITTINGS..... C-09	CYLINDER HEAD..... B-03	FRONT FENDER..... H-13	HEADLAMP..... F-07	RADIATOR..... D-06	SPEEDOMETER..... F-04	WATER PUMP..... D-05
CARBURETOR..... C-05	CYLINDER..... B-05	FRONT MASTER CYLINDER..... K-12	INSTALLATION PARTS..... I-08	REAR CALIPER..... L-09	STAND..... G-04	WIRING HARNESS..... F-11
CLUTCH MASTER CYLINDER..... K-14	ELECTRICAL..... F-03	FRONT WHEEL..... K-06	INSTALLATION PARTS..... J-02	REAR CUSHION LEVER..... L-04	STARTER CLUTCH..... B-14	
CLUTCH..... E-02	FOOTREST..... G-05	FUEL COCK..... G-14	LABEL..... J-04	REAR FENDER..... I-12	STARTING MOTOR..... E-10	

FIG.53

K 6

FIG.53 (K- 6) FRONT WHEEL (MODEL P/R)



REF. NO.	PART NO.	DESCRIPTION	Q'TY	REMARKS
1-1	54111-17C10-1MJ	WHEEL, FRONT (17XMT3.50) (BLUE)	1	FOR M18
1-2	54111-17C10-1TU	WHEEL, FRONT (17XMT3.50) (PURPLE)	1	FOR 17U
1-3	54111-17C10-1DR	WHEEL, FRONT (17XMT3.50) (PURPLE)	1	FOR 33J
2	08123-62047	BEARING	2	
3	09180-20103	SPACER (20.8X27.2X74)	1	
4	54711-17D00	AXLE, FRONT	1	
5	54740-17C00	SPACER, BEARING RH	1	
6	54600-17C01	BOX ASSY, SPEEDOMETER GEAR	1	
7	59210-40C11	DISC, FRONT BRAKE RH (SILVER/BLACK)	1	
8	59220-40C11	DISC, FRONT BRAKE LH (SILVER/BLACK)	1	
9-1	09106-08082	BOLT	10	MODEL P
9-2	09106-08125	BOLT	10	MODEL R
10	55110-46E10	TIRE, FRONT (120/70 ZR17 D202FJ) (DUNLOP)	1	
11-1	43130-24A00	VALVE ASSY, WHEEL RIM TR412	1	-43130-24A11
11-2	43130-24A11	VALVE ASSY, WHEEL RIM TR412	1	
12-1	55411-00A00	BALANCER (10G)	0-3	
12-2	55412-00A00	BALANCER (20G)	0-3	
12-3	55413-00A00	BALANCER (30G)	0-3	

REFER TO FIG.53A(K- 7) FOR MODEL S/T/V/W

GSX-R1100NW E28

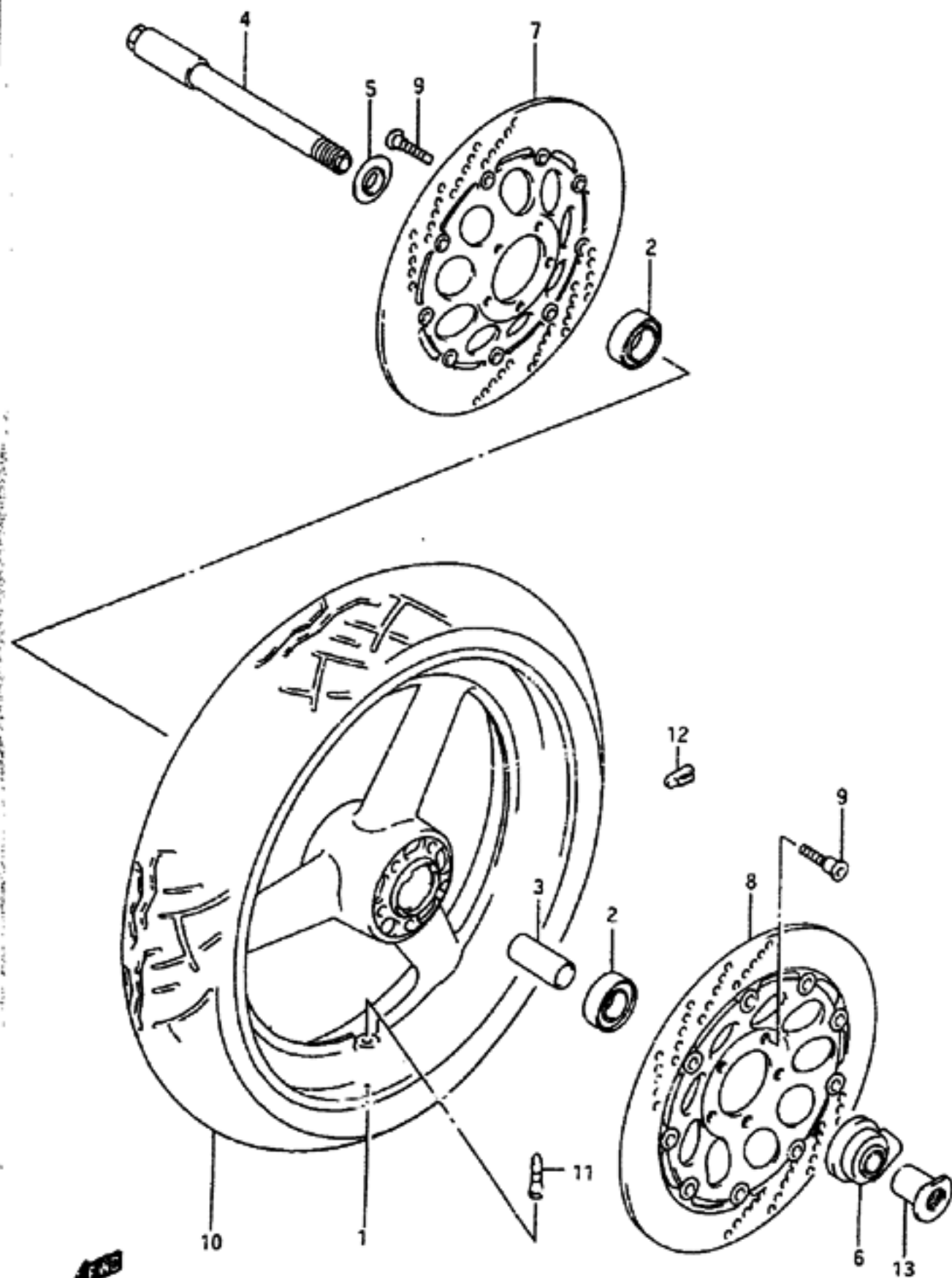
111

AIR CLEANER.....	C-11	CONVING BODY.....	I-04	FRAME COVER.....	H-02	FUEL TANK.....	G-09	MUFFLER.....	D-02	REAR MASTER CYLINDER	L-11	STEERING DAMPER.....	K-05
ALTERNATOR.....	E-11	CRANKCASE COVER.....	B-09	FRAME.....	G-02	GEAR SHIFTING.....	E-08	OIL COOLER.....	D-04	REAR SWINGING ARM..	L-02	STEERING STEM.....	K-04
BATTERY.....	F-02	CRANKCASE.....	B-04	FRONT BRAKE HOSE...	K-10	HANDLE LEVER.....	H-16	OIL PAN - OIL PUMP..	B-10	REAR WHEEL.....	L-06	TAIL LAMP.....	F-10
CAM CHAIN.....	C-04	CRANKSHAFT.....	B-12	FRONT CALIPERS.....	K-08	HANDLE SWITCH.....	F-13	OPTIONAL.....	L-13	SEAT.....	J-05	TRANSMISSION.....	E-06
CAM SHAFT - VALVE..	C-02	CYLINDER HEAD COVER	B-02	FRONT DAMPER.....	K-02	HANDLEBAR.....	H-14	RADIATOR HOSE.....	D-07	SIGNAL GENERATOR...	E-15	TURN SIGNAL LAMP...	F-09
CARBURETOR FITTINGS	C-09	CYLINDER HEAD.....	B-03	FRONT FENDER.....	H-13	HEADLAMP.....	F-07	RADIATOR.....	D-04	SPEEDOMETER.....	F-04	WATER PUMP.....	D-05
CARBURETOR.....	C-05	CYLINDER.....	B-05	FRONT MASTER CYLIND	K-12	INSTALLATION PARTS..	I-08	REAR CALIPER.....	L-09	STAND.....	G-04	WIRING HARNESS.....	F-11
CLUTCH MASTER CYLIN	K-14	ELECTRICAL.....	F-03	FRONT WHEEL.....	K-06	INSTALLATION PARTS..	J-02	REAR CUSHION LEVER..	L-04	STARTER CLUTCH.....	B-14		
CLUTCH.....	E-02	FOOTREST.....	G-05	FUEL COCK.....	G-14	LABEL.....	J-04	REAR FENDER.....	I-02	STARTING MOTOR.....	E-18		

FIG. 53A

K 7

FIG. 53A(K- 7) FRONT WHEEL (MODEL S/T/V/W)



REF. NO.	PART NO.	DESCRIPTION	Q'TY	REMARKS
1-1	54111-17E11-12V	WHEEL, FRONT (17XMT3.50) (GREEN)	1	FOR M18
1-2	54111-17E11-1UL	WHEEL, FRONT (17XMT3.50) (RED)	1	FOR A6G
1-3	54111-17E11-1TU	WHEEL, FRONT (17XMT3.50) (PURPLE)	1	FOR C3B
1-4	54111-17E11-12R	WHEEL, FRONT (17XMT3.50) (SILVER)	1	FOR E9P, G4V, G2P, K1V, Q2E
2	08123-62047	BEARING	2	
3	09180-20103	SPACER (20. BX27. 2X74)	1	
4	54711-17D00	AXLE, FRONT	1	
5	54740-17C00	SPACER, BEARING RH	1	
6	54600-17C01	BOX ASSY, SPEEDOMETER GEAR	1	
7	59210-17E10	DISC, FRONT BRAKE RH (SILVER/BLACK)	1	
8	59220-17E10	DISC, FRONT BRAKE LH (SILVER/BLACK)	1	
9	09106-08125	BOLT	10	
10-1	55110-46E20	TIRE, FRONT 120/70 ZR17 (58W) D204FJ (DUNLOP)	1	
10-2	55110-46E30	TIRE, FRONT (120/70 ZR17 BT50FE) (BRIDGESTONE)	1	MODEL S
11	43130-24A11	VALVE ASSY, WHEEL RIM TR412	1	
12-1	55411-00A00	BALANCER (10G)	0-3	
12-2	55412-00A01	BALANCER (20G)	0-3	
13	54712-46E10	NUT, FRONT AXLE	1	

GSX-R1100WW E28

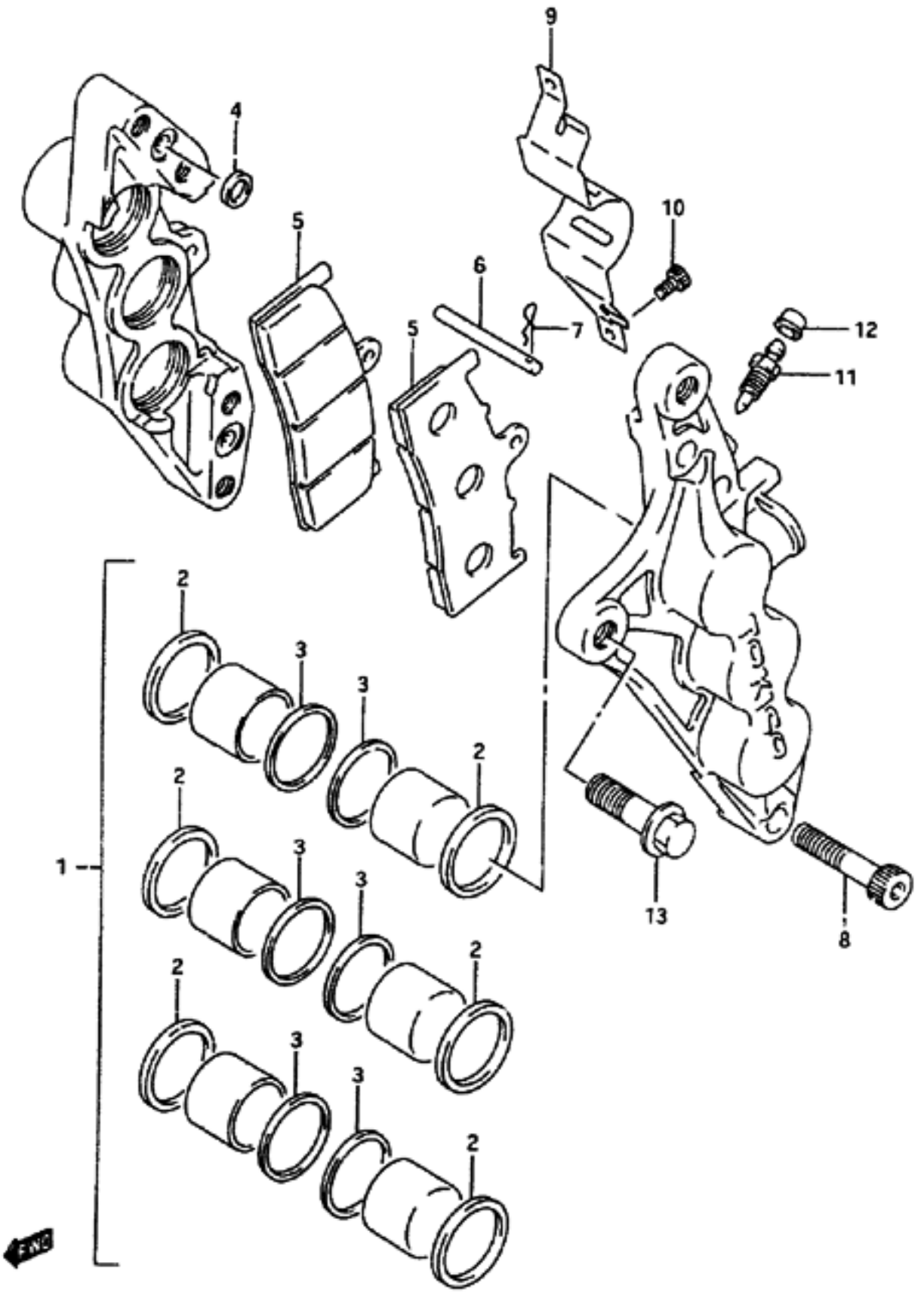
112

AIR CLEANER.....	C-11	COWLING BODY.....	I-04	FRAME COVER.....	H-02	FUEL TANK.....	G-09	MUFFLER.....	D-02	REAR MASTER CYLINDER	L-11	STEERING DAMPER.....	K-05
ALTERNATOR.....	E-11	CRANKCASE COVER.....	B-09	FRAME.....	G-02	GEAR SHIFTING.....	E-08	OIL COOLER.....	D-04	REAR SWINGING ARM..	L-02	STEERING STEM.....	K-04
BATTERY.....	F-02	CRANKCASE.....	B-06	FRONT BRAKE HOSE...	K-10	HANDLE LEVER.....	H-16	OIL PAN - OIL PUMP..	B-10	REAR WHEEL.....	L-06	TAIL LAMP.....	F-10
CAM CHAIN.....	C-04	CRANKSHAFT.....	B-12	FRONT CALIPERS.....	K-08	HANDLE SWITCH.....	F-13	OPTIONAL.....	L-13	SEAT.....	J-05	TRANSMISSION.....	E-06
CAM SHAFT - VALVE..	C-02	CYLINDER HEAD COVER	B-02	FRONT DAMPER.....	K-02	HANDLEBAR.....	H-14	RADIATOR HOSE.....	D-07	SIGNAL GENERATOR...	E-15	TURN SIGNAL LAMP....	F-09
CARBURETOR FITTINGS	C-09	CYLINDER HEAD.....	B-03	FRONT FENDER.....	H-13	HEADLAMP.....	F-07	RADIATOR.....	D-06	SPEEDOMETER.....	F-04	WATER PUMP.....	D-05
CARBURETOR.....	C-05	CYLINDER.....	B-05	FRONT MASTER CYLIND	K-12	INSTALLATION PARTS..	I-08	REAR CALIPER.....	L-09	STAND.....	G-04	WIRING HARNESS.....	F-11
CLUTCH MASTER CYLIN	K-14	ELECTRICAL.....	F-03	FRONT WHEEL.....	K-06	INSTALLATION PARTS..	J-02	REAR CUSHION LEVER..	L-04	STARTER CLUTCH.....	B-14		
CLUTCH.....	E-02	FOOTREST.....	G-05	FUEL COCK.....	G-14	LABEL.....	J-04	REAR FENDER.....	I-02	STARTING MOTOR.....	E-10		

FIG. 54

K 8

FIG. 54 (K- 8) FRONT CALIPERS (MODEL P/R)



REF. NO.	PART NO.	DESCRIPTION	Q'TY	REMARKS
	59100-46E00	CALIPER ASSY, RH	1	
	59300-46E00	CALIPER ASSY, LH	1	
1	59100-46810	. PISTON SET	2	
2	59107-04A00	.. SEAL, PISTON	12	
3	59108-04A00	.. SEAL, WIPER	12	
4	69107-34200	.. SEAL	4	
5	59130-46E00	. PAD	4	--59100-46820
6	69141-45000	. PIN	2	
7	69142-45000	. CLIP	2	
8	59145-00A00	. BOLT	8	
9	59151-46E00	. COVER	2	
10	59153-22D00	. SCREW	4	
11	59121-18410	. BLEEDER	4	
12	59122-18410	. CAP	4	
13-1	01517-10305	BOLT	4	MODEL P
13-2	01550-10303	BOLT	4	MODEL R

REFER TO FIG. 54A(K- 9) FOR MODEL S/T/V/W

GSX-R1100WW E28
113

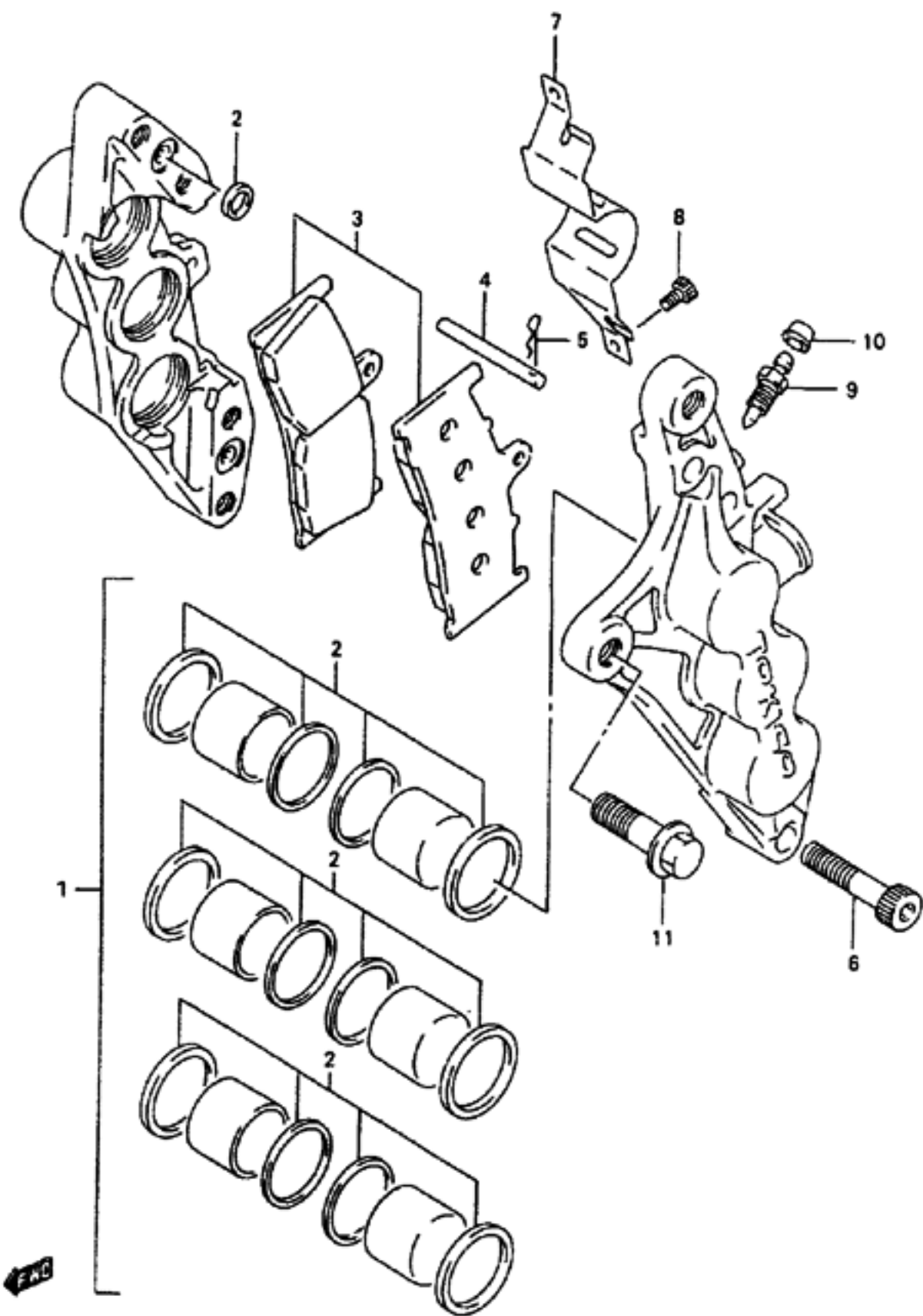
AIR CLEANER.....	C-11	COUPLING BODY.....	I-04	FRAME COVER.....	H-02	FUEL TANK.....	G-09	MUFFLER.....	D-02	REAR MASTER CYLINDER	L-11	STEERING DAMPER.....	K-05
ALTERNATOR.....	E-11	CRANKCASE COVER.....	B-09	FRAME.....	G-02	GEAR SHIFTING.....	E-08	OIL COOLER.....	D-06	REAR SWINGING ARM..	L-02	STEERING STEM.....	K-04
BATTERY.....	F-02	CRANKCASE.....	B-04	FRONT BRAKE HOSE...	K-10	HANDLE LEVER.....	H-16	OIL PAN - OIL PUMP..	B-10	REAR WHEEL.....	L-06	TAIL LAMP.....	F-10
CAN CHAIN.....	C-04	CRANKSHAFT.....	B-12	FRONT CALIPERS.....	K-08	HANDLE SWITCH.....	F-13	OPTIONAL.....	L-15	SEAT.....	J-05	TRANSMISSION.....	E-06
CAN SHAFT - VALVE..	C-02	CYLINDER HEAD COVER	B-02	FRONT DAMPER.....	K-02	HANDLEBAR.....	H-14	RADIATOR HOSE.....	D-07	SIGNAL GENERATOR...	E-15	TURNSIGNAL LAMP...	F-09
CARBURETOR FITTINGS	C-09	CYLINDER HEAD.....	B-03	FRONT FENDER.....	H-13	HEADLAMP.....	F-07	RADIATOR.....	D-04	SPEEDOMETER.....	F-04	WATER PUMP.....	D-05
CARBURETOR.....	C-05	CYLINDER.....	B-05	FRONT MASTER CYLIND	K-12	INSTALLATION PARTS..	I-08	REAR CALIPER.....	L-09	STAN.....	G-04	WIRING HARNESS.....	F-11
CLUTCH MASTER CYLIN	K-14	ELECTRICAL.....	F-03	FRONT WHEEL.....	K-06	INSTALLATION PARTS..	J-02	REAR CUSHION LEVER..	L-04	STARTER CLUTCH.....	B-14		
CLUTCH.....	E-02	FOOTREST.....	G-05	FUEL COCK.....	G-14	LABEL.....	J-04	REAR FENDER.....	I-02	STARTING MOTOR.....	E-10		

FIG. 54A

K 9

FIG. 54A(K- 9) FRONT CALIPERS (MODEL S/T/V/W)

REF. NO.	PART NO.	DESCRIPTION	Q'TY	REMARKS
	59100-46E20	CALIPER ASSY, RH	1	MODEL S
	59300-46E20	CALIPER ASSY, LH	1	MODEL S
	59100-46E21	CALIPER ASSY, RH	1	MODEL T/V/W
	59300-46E21	CALIPER ASSY, LH	1	MODEL T/V/W
1	59100-46810	. PISTON SET	2	
2	59100-04860	. . SEAL SET, PISTON	2	
3	59300-46840	. PAD SET	2	
4	69141-45000	. PIN	2	
5	69142-45000	. CLIP	2	
6-1	59145-00A00	. BOLT	8	MODEL S
6-2	59145-33E00	. BOLT	8	MODEL T/V/W
7	59151-46E00	. COVER	2	
8	59153-22D00	. SCREW	4	
9	59121-18410	. BLEEDER	4	
10	55156-66310	. CAP	4	
11	01550-10303	BOLT	4	



GSX-R1100WW E28

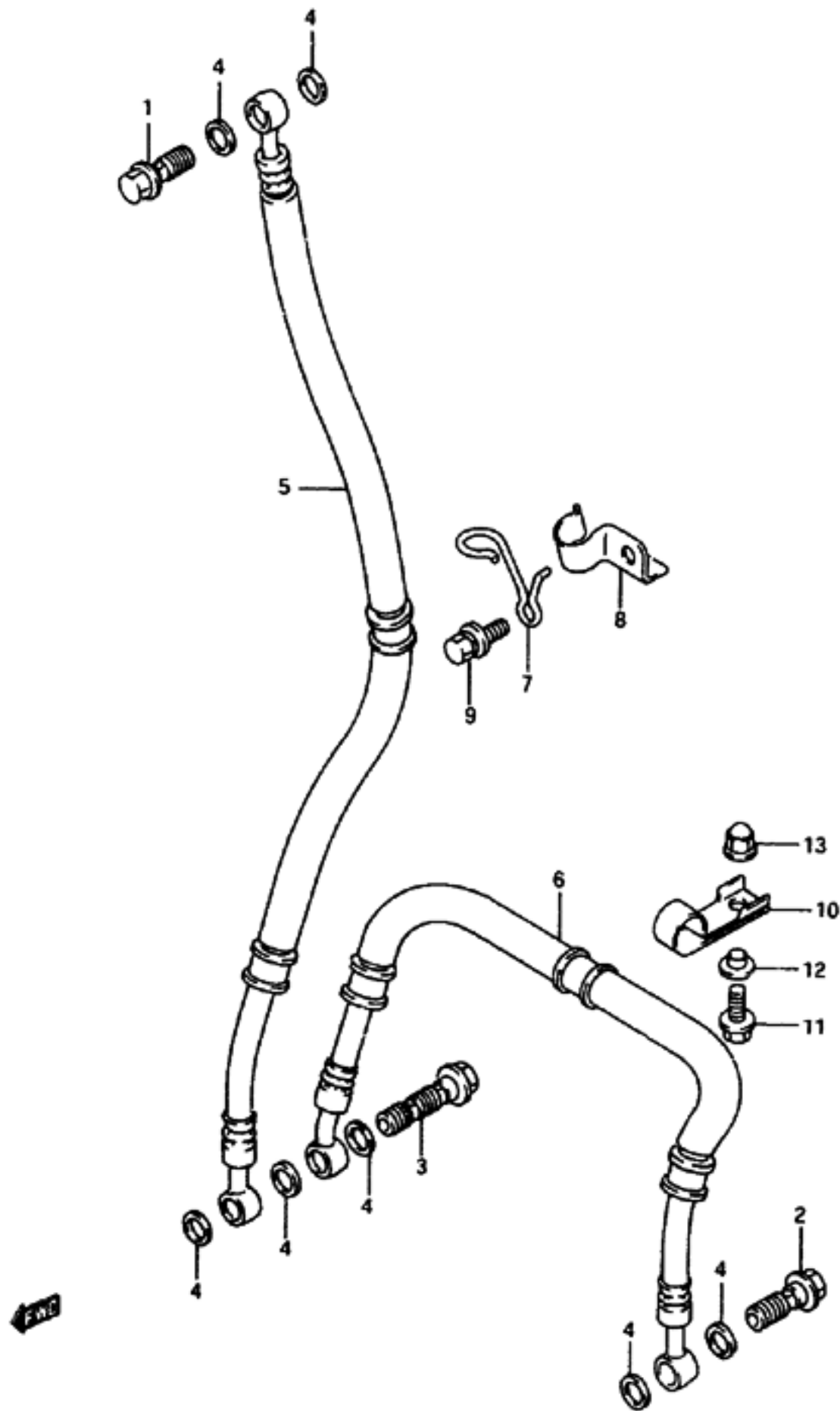
114

AIR CLEANER.....	C-11	COWLING BODY.....	I-04	FRAME COVER.....	H-02	FUEL TANK.....	G-09	MUFFLER.....	D-02	REAR MASTER CYLINDER	L-11	STEERING DAMPER.....	K-05
ALTERNATOR.....	E-11	CRANKCASE COVER.....	B-09	FRAME.....	G-02	GEAR SHIFTING.....	E-08	OIL COOLER.....	D-04	REAR SWINGING ARM..	L-02	STEERING STEM.....	K-04
BATTERY.....	F-02	CRANKCASE.....	B-06	FRONT BRAKE HOSE...	K-10	HANDLE LEVER.....	H-16	OIL PAN - OIL PUMP..	B-10	REAR WHEEL.....	L-06	TAIL LAMP.....	F-10
CAN CHAIN.....	C-04	CRANKSHAFT.....	B-12	FRONT CALIPERS.....	K-08	HANDLE SWITCH.....	F-13	OPTIONAL.....	L-13	SEAT.....	J-05	TRANSMISSION.....	E-06
CAN SHAFT - VALVE..	C-02	CYLINDER HEAD COVER	B-02	FRONT DAMPER.....	K-02	HANDLEBAR.....	H-14	RADIATOR HOSE.....	D-07	SIGNAL GENERATOR...	E-15	TURNSIGNAL LAMP....	F-09
CARBURETOR FITTINGS	C-09	CYLINDER HEAD.....	B-03	FRONT FENDER.....	H-13	HEADLAMP.....	F-07	RADIATOR.....	D-06	SPEEDOMETER.....	F-04	WATER PUMP.....	D-05
CARBURETOR.....	C-05	CYLINDER.....	B-05	FRONT MASTER CYLIND	K-12	INSTALLATION PARTS..	I-08	REAR CALIPER.....	L-09	STAND.....	G-04	WIRING HARNESS.....	F-11
CLUTCH MASTER CYLIND	K-14	ELECTRICAL.....	F-03	FRONT WHEEL.....	K-06	INSTALLATION PARTS..	J-02	REAR CUSHION LEVER..	L-04	STARTER CLUTCH.....	B-14		
CLUTCH.....	E-02	FOOTREST.....	G-05	FUEL COCK.....	G-14	LABEL.....	J-04	REAR FENDER.....	I-02	STARTING MOTOR.....	E-10		

FIG.55

K 10

FIG. 55 (K-10) FRONT BRAKE HOSE (MODEL P/R)



REF. NO.	PART NO.	DESCRIPTION	Q'TY	REMARKS
1-1	09360-10033	BOLT (10X1.25X24)	1	MODEL P
1-2	09360-10040	BOLT (10X1.25X22)	1	MODEL R
2-1	09360-10033	BOLT, LH (10X1.25X24)	1	MODEL P
2-2	09360-10040	BOLT, LH (10X1.25X22)	1	MODEL R
3	09360-10038	BOLT, RH (10X1.25X36)	1	
4	09161-10009	WASHER	7	
5	59480-46E00	HOSE, FRONT BRAKE NO. 1	1	
6	59240-46E00	HOSE, FRONT BRAKE NO. 2	1	
7	59268-46E00	GUIDE, BRAKE HOSE NO. 1	1	
8	59268-38D00	CLAMP, BRAKE HOSE NO. 1	1	
9-1	01174-06165	BOLT	1	MODEL P
9-2	01580-06163	BOLT	1	MODEL R
10	59268-45D00	CLAMP, BRAKE HOSE NO. 2	1	
11-1	01517-06164	SCREW	1	MODEL P
11-2	01550-06163	SCREW	1	MODEL R
12-1	09169-08011	WASHER	1	MODEL P
12-2	09169-06037	WASHER	1	MODEL R
13	09159-06038	NUT	1	

REFER TO FIG. 55A(K-11) FOR MODEL S/T/V/W

GSX-R1100WW E28

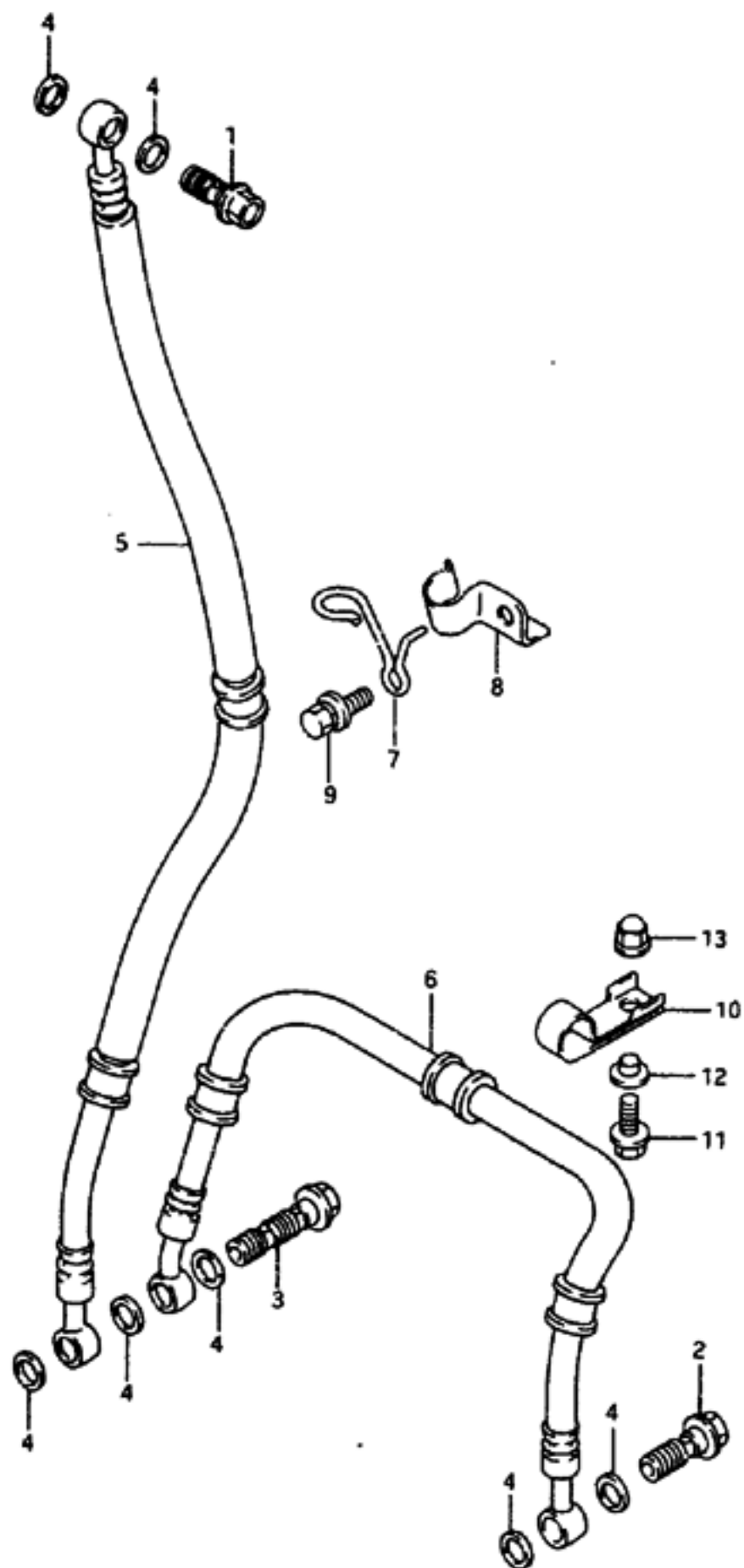
115

AIR CLEANER.....	C-11	COILING BODY.....	I-04	FRAME COVER.....	H-02	FUEL TANK.....	G-09	MUFFLER.....	D-02	REAR MASTER CYLINDER	L-11	STEERING DAMPER.....	K-05
ALTERNATOR.....	E-11	CRANKCASE COVER.....	B-09	FRAME.....	G-02	GEAR SHIFTING.....	E-08	OIL COOLER.....	D-04	REAR SWINGING ARM...	L-02	STEERING STEM.....	K-04
BATTERY.....	F-02	CRANKCASE.....	B-06	FRONT BRAKE HOSE...	K-10	HANDLE LEVER.....	H-16	OIL PAN - OIL PUMP..	B-10	REAR WHEEL.....	L-06	TAIL LAMP.....	F-10
CAM CHAIN.....	C-04	CRANKSHAFT.....	B-12	FRONT CALIPERS.....	K-08	HANDLE SWITCH.....	F-13	OPTIONAL.....	L-13	SEAT.....	J-05	TRANSMISSION.....	E-04
CAM SHAFT - VALVE..	C-02	CYLINDER HEAD COVER	B-02	FRONT DAMPER.....	K-02	HANDLEBAR.....	H-14	RADIATOR HOSE.....	D-07	SIGNAL GENERATOR...	E-15	TURN SIGNAL LAMP....	F-09
CARBURETOR FITTINGS	C-09	CYLINDER HEAD.....	B-03	FRONT FENDER.....	H-13	HEADLAMP.....	F-07	RADIATOR.....	D-04	SPEEDOMETER.....	F-04	WATER PUMP.....	D-05
CARBURETOR.....	C-05	CYLINDER.....	B-05	FRONT MASTER CYLIND	K-12	INSTALLATION PARTS..	I-08	REAR CALIPER.....	L-09	STAND.....	G-04	WIRING HARNESS.....	F-11
CLUTCH MASTER CYLIN	K-14	ELECTRICAL.....	F-03	FRONT WHEEL.....	K-06	INSTALLATION PARTS..	J-02	REAR CUSHION LEVER..	L-04	STARTER CLUTCH.....	B-14		
CLUTCH.....	E-02	FOOTREST.....	G-05	FUEL COCK.....	G-14	LABEL.....	J-04	REAR FENDER.....	I-02	STARTING MOTOR.....	E-14		

FIG. 55A

K 11

FIG. 55A(K-11) FRONT BRAKE HOSE (MODEL S/T/V/W)



REF. NO.	PART NO.	DESCRIPTION	Q'TY	REMARKS
1	09360-10039	BOLT (10X1.00X22)	1	
2	09360-10040	BOLT, LH (10X1.25X22)	1	
3	09360-10038	BOLT, RH (10X1.25X36)	1	
4	09161-10009	WASHER	7	
5	59480-46E10	HOSE, FRONT BRAKE NO. 1	1	
6	59240-46F10	HOSE, FRONT BRAKE NO. 2	1	
7	59268-46E01	GUIDE, BRAKE HOSE NO. 1	1	
8	59266-38C00	CLAMP, BRAKE HOSE NO. 1	1	
9-1	01580-06163	BOLT	1	MODEL S/T/V
9-2	01550-06163	BOLT	1	MODEL W
10	59268-45D00	CLAMP, BRAKE HOSE NO. 2	1	
11	01550-06163	SCREW	1	
12	09169-06037	WASHER	1	
13	09159-06038	NUT	1	

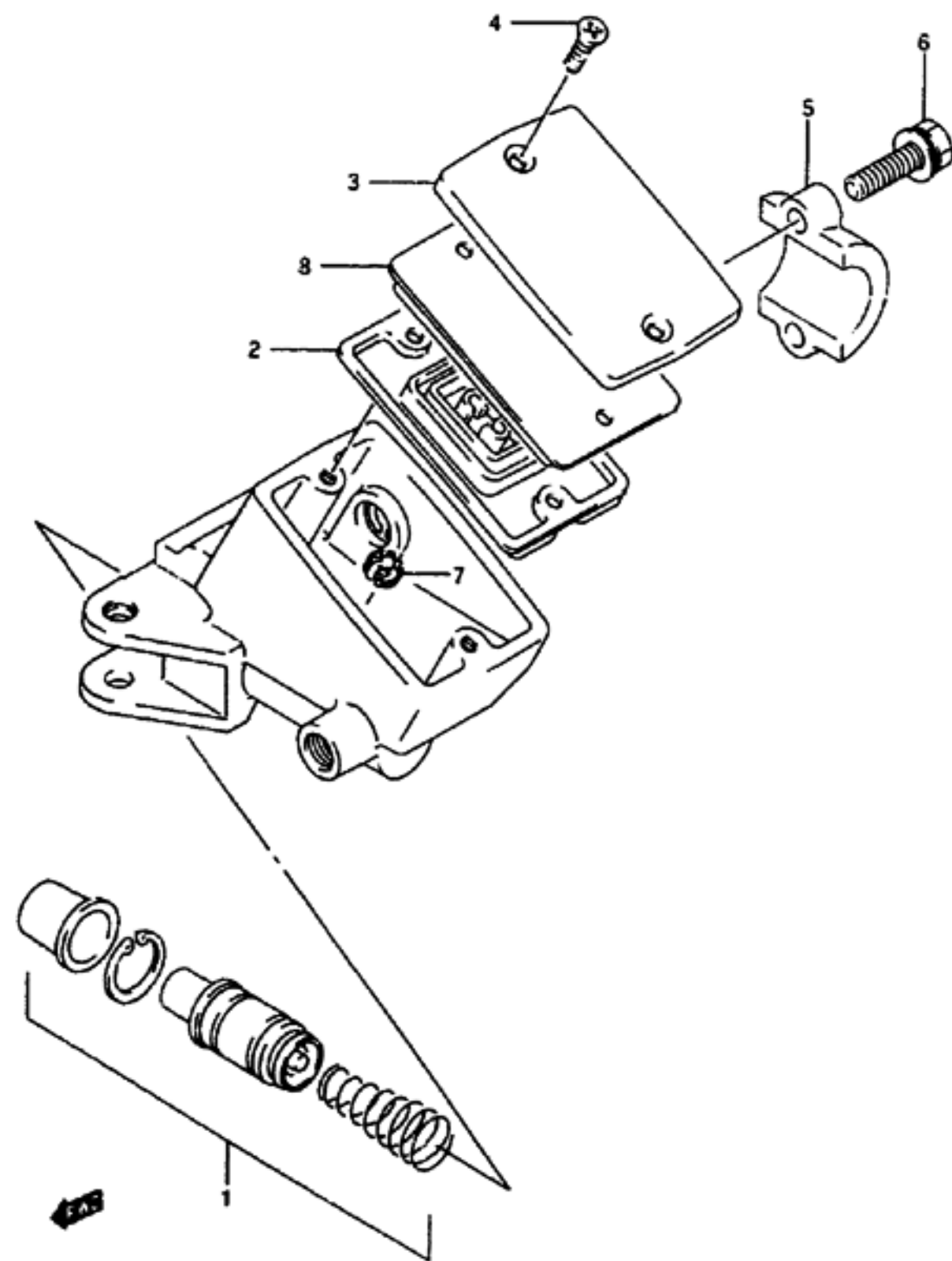
GSX-R1100WW E28

AIR CLEANER.....	C-11	COILING BODY.....	1-04	FRAME COVER.....	H-02	FUEL TANK.....	G-09	MUFFLER.....	D-02	REAR MASTER CYLINDER	L-11	STEERING DAMPER.....	K-03
ALTERNATOR.....	E-11	CRANKCASE COVER.....	B-09	FRAME.....	G-02	GEAR SHIFTING.....	E-08	OIL COOLER.....	D-04	REAR SWINGING ARM..	L-02	STEERING STEM.....	K-04
BATTERY.....	F-02	CRANKCASE.....	B-04	FRONT BRAKE HOSE...	K-10	HANDLE LEVER.....	H-16	OIL PAN - OIL PUMP..	B-10	REAR WHEEL.....	L-06	TAIL LAMP.....	F-10
CAH CHAIN.....	C-04	CRANKSHAFT.....	B-12	FRONT CALIPERS.....	K-08	HANDLE SWITCH.....	F-13	OPTIONAL.....	L-13	SEAT.....	J-05	TRANSMISSION.....	E-04
CAN SHAFT - VALVE..	C-02	CYLINDER HEAD COVER	B-02	FRONT DAMPER.....	K-02	HANDLEBAR.....	H-14	RADIATOR HOSE.....	D-07	SIGNAL GENERATOR...	E-15	TURN SIGNAL LAMP....	F-09
CARBURETOR FITTINGS	C-09	CYLINDER HEAD.....	B-03	FRONT FENDER.....	H-13	HEADLAMP.....	F-07	RADIATOR.....	D-04	SPEEDOMETER.....	F-04	WATER PUMP.....	D-05
CARBURETOR.....	C-05	CYLINDER.....	B-05	FRONT MASTER CYLIND	K-12	INSTALLATION PARTS..	I-08	REAR CALIPER.....	L-09	STAND.....	G-04	WIRING HARNESS.....	F-11
CLUTCH MASTER CYLIN	K-14	ELECTRICAL.....	F-03	FRONT WHEEL.....	K-04	INSTALLATION PARTS..	J-02	REAR CUSHION LEVER..	L-04	STARTER CLUTCH.....	B-14		
CLUTCH.....	E-02	FOOTREST.....	G-05	FUEL COCK.....	G-14	LABEL.....	J-04	REAR FENDER.....	I-02	STARTING MOTOR.....	E-10		

FIG.56

K 12

FIG.56 (K-12) FRONT MASTER CYLINDER (MODEL P/R)



REF. NO.	PART NO.	DESCRIPTION	Q'TY	REMARKS
	59600-46E00	CYLINDER ASSY, FRONT MASTER	1	
1	59600-45860	.PISTON & CUP SET	1	
2	59667-49460	.DIAPHRAGM	1	
3	59669-41C00	.CAP	1	
4	69689-49300	.SCREW	2	
5	59671-19B00	.HOLDER	1	
6	59675-19C00	.BOLT	2	
7	59664-48B00	.PROTECTOR	1	
8	59668-41C00	.PLATE	1	

REFER TO FIG.56A(K-13) FOR MODEL S/T/V/W

GSX-R1100NW E28

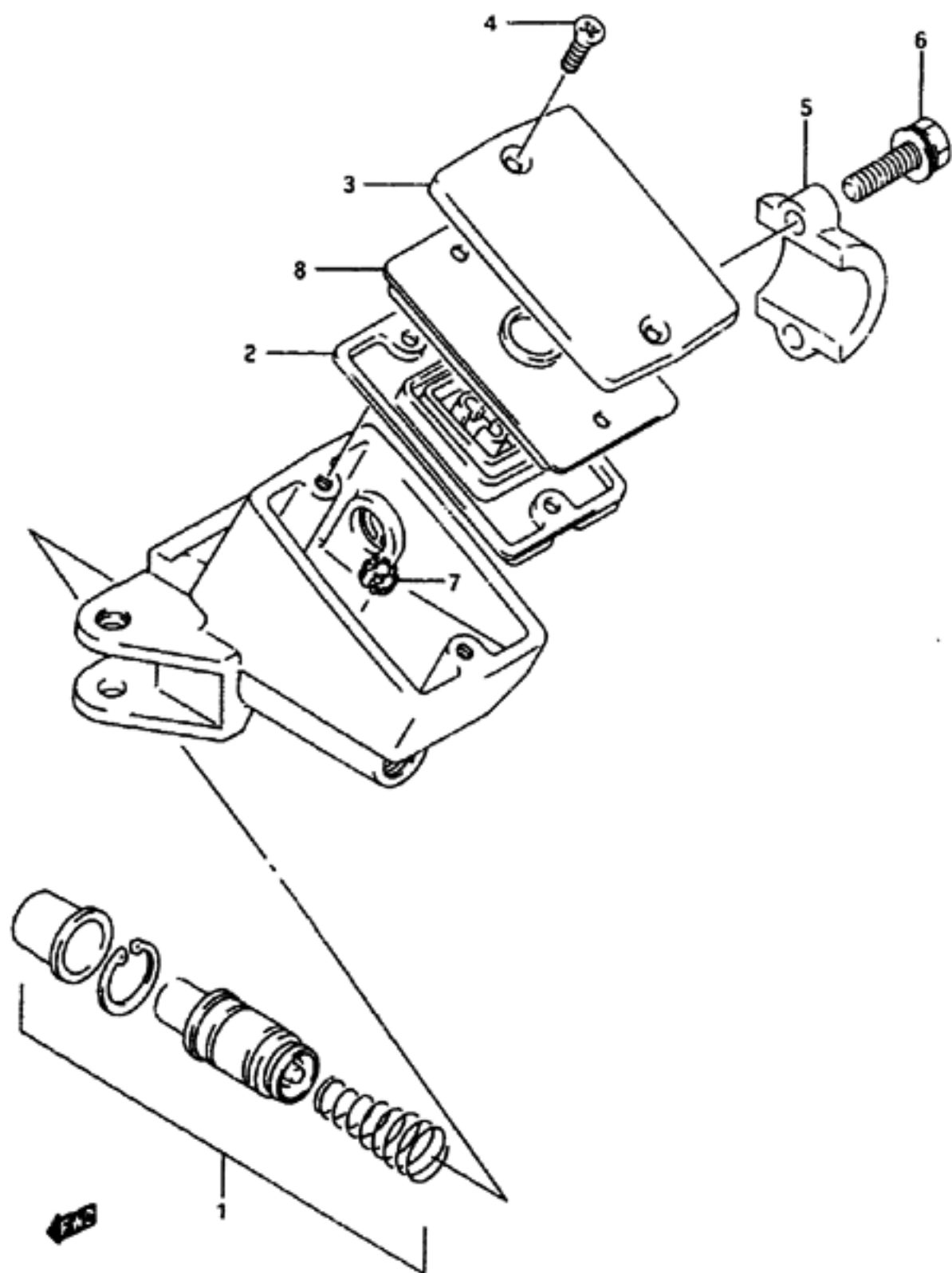
AIR CLEANER.....	C-11	COMLING BODY.....	I-04	FRAME COVER.....	H-02	FUEL TANK.....	G-09	MUFFLER.....	D-02	REAR MASTER CYLINDER	L-11	STEERING DAMPER.....	K-05
ALTERNATOR.....	E-11	CRANKCASE COVER.....	B-09	FRAME.....	G-02	GEAR SHIFTING.....	E-08	OIL COOLER.....	D-04	REAR SWINGING ARM..	L-02	STEERING STEM.....	K-04
BATTERY.....	F-02	CRANKCASE.....	B-04	FRONT BRAKE HOSE...	K-10	HANDLE LEVER.....	H-16	OIL PAN - OIL PUMP..	B-10	REAR WHEEL.....	L-06	TAIL LAMP.....	F-10
CAM CHAIN.....	C-04	CRANKSHAFT.....	B-12	FRONT CALIPERS.....	K-08	HANDLE SWITCH.....	F-13	OPTIONAL.....	L-13	SEAT.....	J-05	TRANSMISSION.....	E-06
CAM SHAFT - VALVE..	C-02	CYLINDER HEAD COVER	B-02	FRONT DAMPER.....	K-02	HANDLEBAR.....	H-14	RADIATOR HOSE.....	D-07	SIGNAL GENERATOR...	E-15	TURN SIGNAL LAMP...	F-09
CARBURETOR FITTINGS	C-09	CYLINDER HEAD.....	B-03	FRONT FENDER.....	H-13	HEADLAMP.....	F-07	RADIATOR.....	D-04	SPEEDOMETER.....	F-04	WATER PUMP.....	D-05
CARBURETOR.....	C-05	CYLINDER.....	B-05	FRONT MASTER CYLIND	K-12	INSTALLATION PARTS..	I-00	REAR CALIPER.....	L-09	STAND.....	G-04	WIRING HARNESS.....	F-11
CLUTCH MASTER CYLIN	K-14	ELECTRICAL.....	F-03	FRONT WHEEL.....	K-04	INSTALLATION PARTS..	J-02	REAR CUSHION LEVER..	L-04	STARTER CLUTCH.....	B-14		
CLUTCH.....	E-02	FOOTREST.....	G-05	FUEL COCK.....	G-14	LABEL.....	J-04	REAR FENDER.....	I-02	STARTING MOTOR.....	E-10		

FIG. 56A

K 13

FIG. 56A(K-13) FRONT MASTER CYLINDER (MODEL S/T/V/W)

REF. NO.	PART NO.	DESCRIPTION	Q'TY	REMARKS
	59600-08C10	CYLINDER ASSY. FRONT MASTER	1	
1	59600-45860	PISTON & CUP SET	1	
2	59667-49460	DIAPHRAGM	1	
3	79669-41C00	CAP	1	
4	69689-49300	SCREW	2	
5	59671-19B00	HOLDER	1	
6	59675-19C00	BOLT	2	
7	59664-48B00	PROTECTOR	1	
8	59668-41C00	PLATE	1	



GSX-R1100WW E28

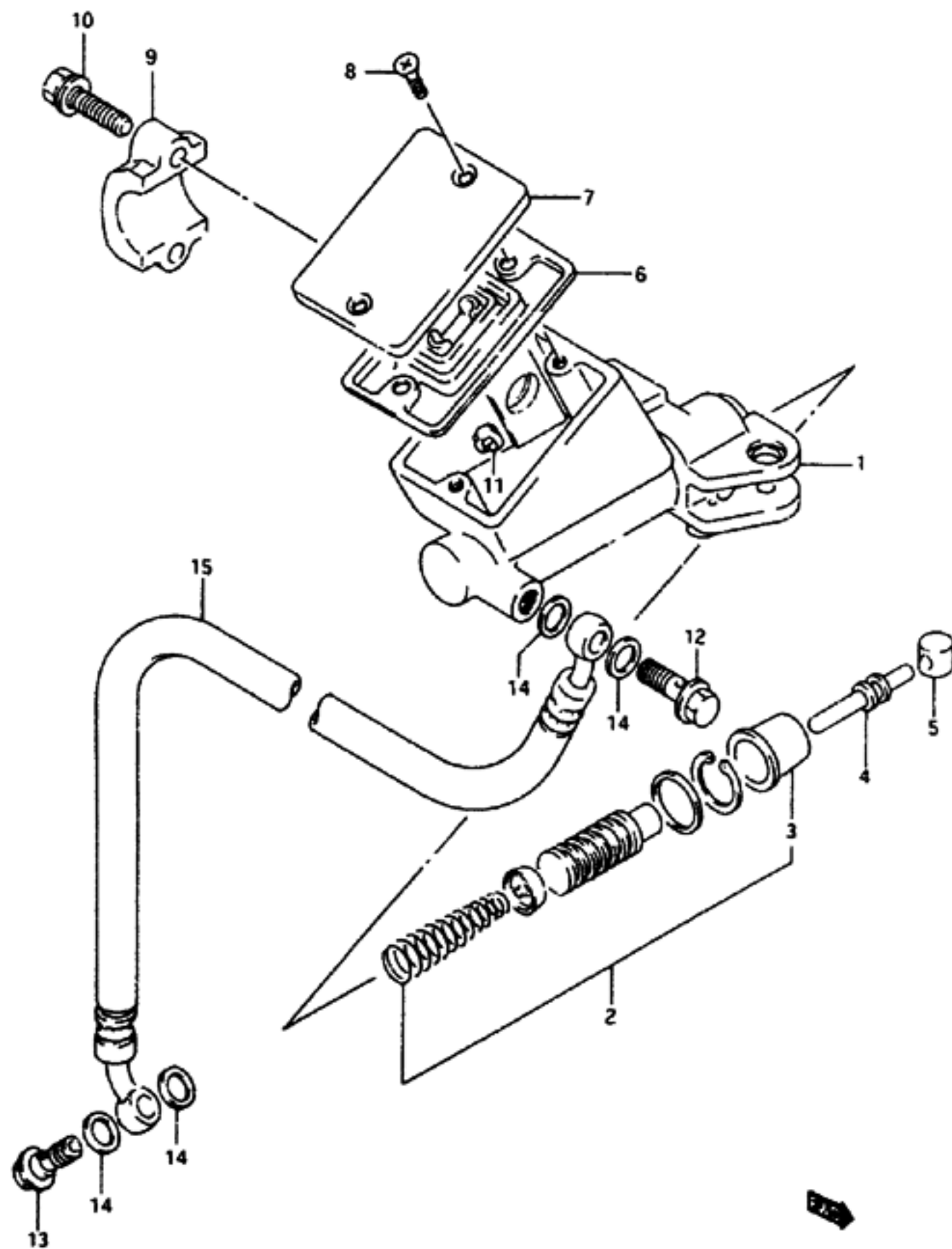
118

AIR CLEANER.....	C-11	COMING BODY.....	I-04	FRAME COVER.....	H-02	FUEL TANK.....	G-09	MUFFLER.....	D-02	REAR MASTER CYLINDER	L-11	STEERING DAMPER.....	K-05
ALTERNATOR.....	E-11	CRANKCASE COVER.....	B-09	FRAME.....	G-02	GEAR SHIFTING.....	E-08	OIL COOLER.....	D-04	REAR SWINGING ARM..	L-02	STEERING STEM.....	K-04
BATTERY.....	F-02	CRANKCASE.....	B-06	FRONT BRAKE HOSE...	K-18	HANDLE LEVER.....	H-16	OIL PAN - OIL PUMP..	B-10	REAR WHEEL.....	L-06	TAIL LAMP.....	F-18
CAM CHAIN.....	C-04	CRANKSHAFT.....	B-12	FRONT CALIPERS.....	X-08	HANDLE SWITCH.....	F-13	OPTIONAL.....	L-13	SEAT.....	J-05	TRANSMISSION.....	E-06
CAM SHAFT - VALVE..	C-02	CYLINDER HEAD COVER	B-02	FRONT DAMPER.....	K-02	HANDLEBAR.....	H-14	RADIATOR HOSE.....	D-07	SIGNAL GENERATOR...	E-15	TURN SIGNAL LAMP....	F-09
CARBURETOR FITTINGS	C-09	CYLINDER HEAD.....	B-03	FRONT FENDER.....	H-13	HEADLAMP.....	F-07	RADIATOR.....	D-06	SPEEDOMETER.....	F-04	WATER PUMP.....	D-05
CARBURETOR.....	C-05	CYLINDER.....	B-05	FRONT MASTER CYLIND	K-12	INSTALLATION PARTS..	I-08	REAR CALIPER.....	L-09	STAND.....	G-04	WIRING HARNESS.....	F-11
CLUTCH MASTER CYLIND	K-14	ELECTRICAL.....	F-03	FRONT WHEEL.....	K-06	INSTALLATION PARTS..	J-02	REAR CUSHION LEVER..	L-04	STARTER CLUTCH.....	B-14		
CLUTCH.....	E-02	FOOTREST.....	G-05	FUEL COCK.....	G-14	LABEL.....	J-04	REAR FENDER.....	I-02	STARTING MOTOR.....	E-10		

FIG.57

K 14

FIG. 57 (K-14) CLUTCH MASTER CYLINDER (MODEL P/R)



REF. NO.	PART NO.	DESCRIPTION	Q'TY	REMARKS
1	59800-46E00	CYLINDER ASSY. CLUTCH MASTER	1	
2	59800-08810	PISTON & CUP SET	1	
3	59686-44300	BOOT	1	
4	59871-08A00	PUSH ROD	1	
5	598J2-08A00	BUSH	1	
6	59667-44B00	DIAPHRAGM	1	
7	69669-24A01	CAP	1	
8	69689-43300	SCREW	2	
9	59671-38500	HOLDER	1	
10	59675-19C00	BOLT	2	
11	59664-48B00	PROTECTOR	1	
12-1	09360-10033	BOLT, UPPER (10X1.25X24)	1	MODEL P
12-2	09360-10040	BOLT, UPPER (10X1.25X22)	1	MODEL R
13-1	09360-10017	BOLT (10X1.00X24)	1	MODEL P
13-2	09360-10039	BOLT (10X1.00X22)	1	MODEL R
14	09161-10009	WASHER	4	
15	59910-46E00	HOSE, CLUTCH	1	

REFER TO FIG 57A(K-15) FOR MODEL S/T/V/W

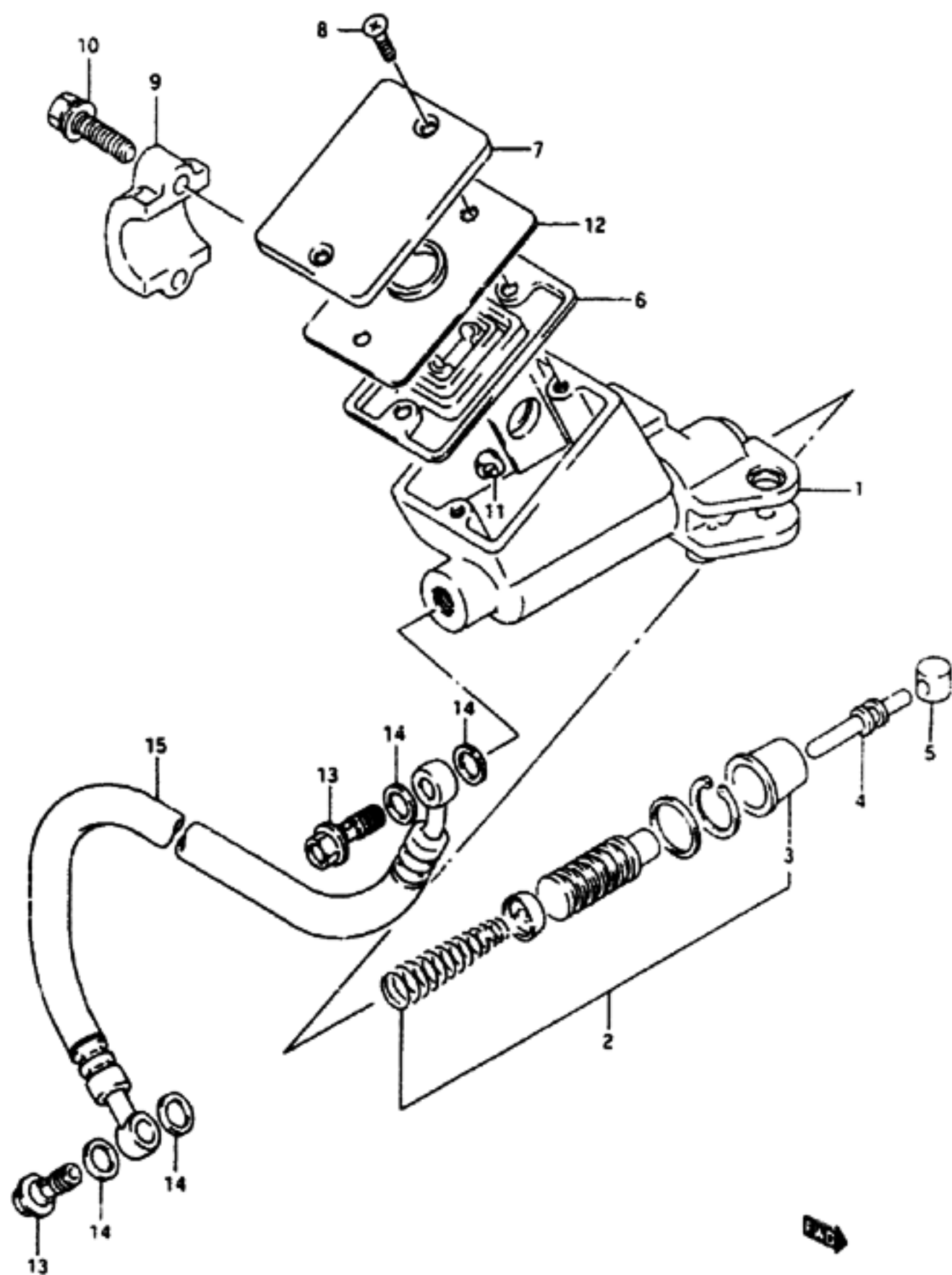
GSX-R1100NW E28

AIR CLEANER.....	C-11	COMING BODY.....	I-04	FRAME COVER.....	H-02	FUEL TANK.....	G-09	PUFFLER.....	D-02	REAR MASTER CYLINDER	L-11	STEERING DAMPER.....	K-05
ALTERNATOR.....	E-11	CRANKCASE COVER.....	B-09	FRAME.....	G-02	GEAR SHIFTING.....	E-08	OIL COOLER.....	D-04	REAR SWINGING ARM..	L-02	STEERING STEN.....	K-04
BATTERY.....	F-02	CRANKCASE.....	B-06	FRONT BRAKE HOSE...	K-10	HANDLE LEVER.....	H-14	OIL PAN - OIL PUMP..	B-10	REAR WHEEL.....	L-06	TAIL LAMP.....	F-10
CAN CHAIN.....	C-04	CRANKSHAFT.....	B-12	FRONT CALIPERS.....	K-08	HANDLE SWITCH.....	F-13	OPTIONAL.....	L-13	SEAT.....	J-05	TRANSMISSION.....	E-04
CAN SHAFT - VALVE..	C-02	CYLINDER HEAD COVER	B-02	FRONT DAMPER.....	K-02	HANDLEBAR.....	H-14	RADIATOR HOSE.....	O-07	SIGNAL GENERATOR...	E-15	TURN SIGNAL LAMP....	F-09
CARBURETOR FITTINGS	C-09	CYLINDER HEAD.....	B-03	FRONT FENDER.....	H-13	HEADLAMP.....	F-07	RADIATOR.....	D-06	SPEEDOMETER.....	F-04	WATER PUMP.....	D-05
CARBURETOR.....	C-05	CYLINDER.....	B-05	FRONT MASTER CYLIND	K-12	INSTALLATION PARTS..	I-08	REAR CALIPER.....	L-09	STAND.....	G-04	WIRING HARNESS.....	F-11
CLUTCH MASTER CYLIN	K-14	ELECTRICAL.....	F-03	FRONT WHEEL.....	K-06	INSTALLATION PARTS..	J-02	REAR CUSHION LEVER..	L-04	STARTER CLUTCH.....	B-14		
CLUTCH.....	E-02	FOOTREST.....	G-05	FUEL COCK.....	G-14	LABEL.....	J-04	REAR FENDER.....	I-02	STARTING MOTOR.....	E-10		

FIG. 57A

K 15

FIG. 57A(K-15) CLUTCH MASTER CYLINDER (MODEL S/T/V/W)

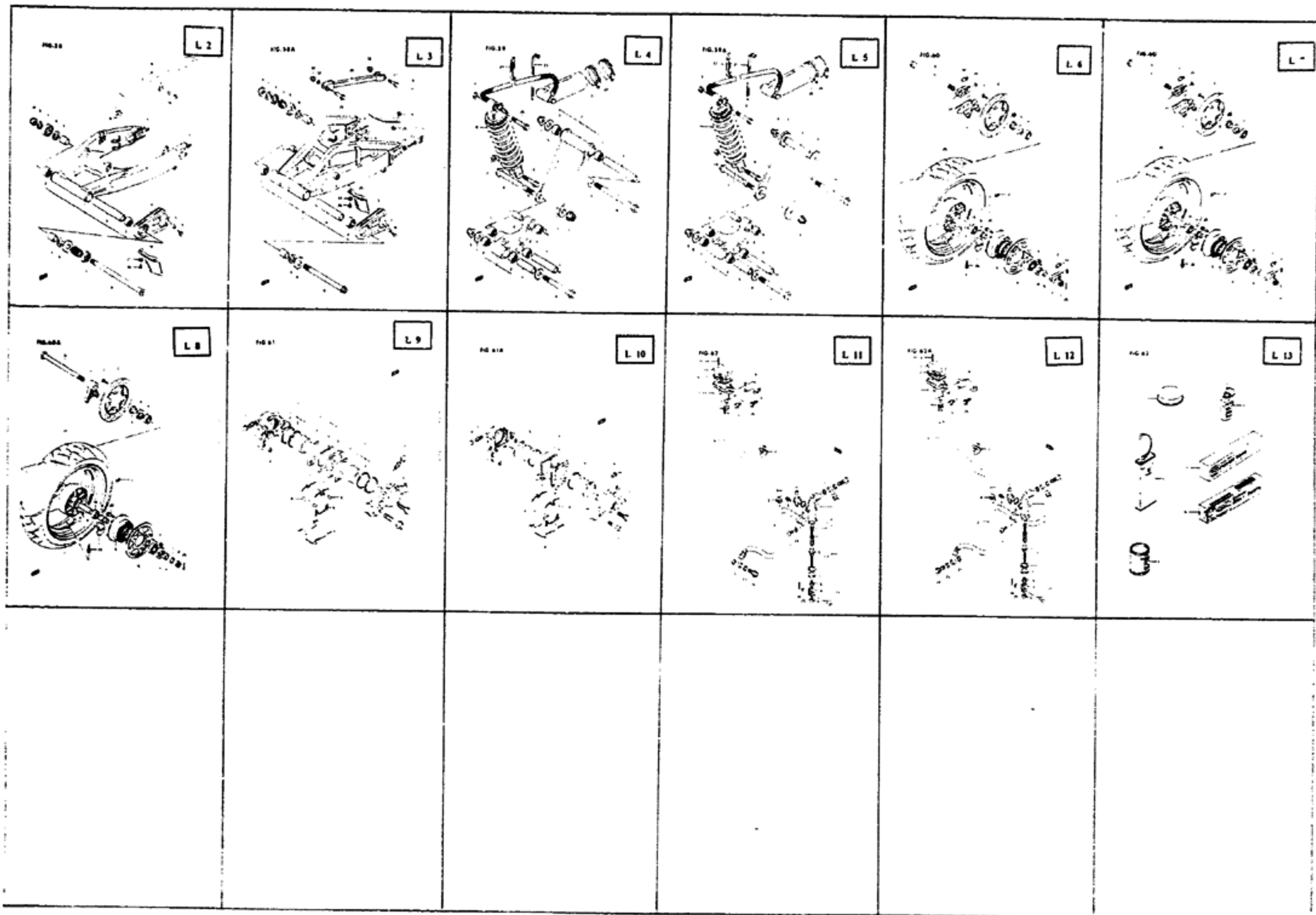


REF. NO.	PART NO.	DESCRIPTION	Q'TY	REMARKS
1	59800-40C12	CYLINDER ASSY. CLUTCH MASTER	1	
2	59800-08810	PISTON & CUP SET	1	
3	59666-44300	BOOT	1	
4	59871-08A00	PUSH ROD	1	
5	59892-08A00	BUSH	1	
6	59667-49450	DIAPHRAGM	1	
7	59669-41C00	CAP	1	
8	69689-49300	SCREW	2	
9	59671-19B00	HOLDER	1	
10	59675-19C00	BOLT	2	
11	59664-48B00	PROTECTOR	1	
12	59668-41C00	PLATE	1	
13	09360-10039	BOLT (10X1.00X22)	2	
14	09161-10009	WASHER	4	
15	59910-46E10	HOSE, CLUTCH	1	

GSX-R1100NW E28

120

AIR CLEANER.....	C-11	COMING BODY.....	I-04	FRAME COVER.....	H-02	FUEL TANK.....	G-09	MAFFLER.....	D-02	REAR MASTER CYLINDER	L-11	STEERING DAMPER.....	K-05
ALTERNATOR.....	E-11	CRANKCASE COVER.....	B-09	FRAME.....	G-02	GEAR SHIFTING.....	E-08	OIL COOLER.....	D-04	REAR SWINGING ARM..	L-02	STEERING STEM.....	K-04
BATTERY.....	F-02	CRANKCASE.....	B-04	FRONT BRAKE HOSE...	K-10	HANDLE LEVER.....	H-16	OIL PAN - OIL PUMP..	B-10	REAR WHEEL.....	L-04	TAIL LAMP.....	F-10
CAN CHAIN.....	C-04	CRANKSHAFT.....	B-12	FRONT CALIPERS.....	K-08	HANDLE SWITCH.....	F-13	OPTIONAL.....	L-13	SEAT.....	J-05	TRANSMISSION.....	E-04
CAN SHAFT - VALVE..	C-02	CYLINDER HEAD COVER	B-02	FRONT DAMPER.....	K-02	HANDLEBAR.....	H-14	RADIATOR HOSE.....	D-07	SIGNAL GENERATOR...	E-10	TURNSIGNAL LAMP...	F-09
CARBURETOR FITTINGS	C-09	CYLINDER HEAD.....	B-03	FRONT FENDER.....	H-13	HEADLAMP.....	F-07	RADIATOR.....	D-04	SPEEDOMETER.....	F-04	WATER PUMP.....	D-05
CARBURETOR.....	C-05	CYLINDER.....	B-05	FRONT MASTER CYLIND	K-12	INSTALLATION PARTS..	I-00	REAR CALIPER.....	L-09	STAND.....	G-04	WIRING HARNESS.....	F-11
CLUTCH MASTER CYLIND	K-14	ELECTRICAL.....	F-03	FRONT WHEEL.....	K-06	INSTALLATION PARTS..	J-02	REAR CUSHION LEV.R.	L-04	STARTER CLUTCH.....	B-14		
CLUTCH.....	E-02	FOOTREST.....	G-05	FUEL COCK.....	G-14	LABEL.....	J-04	REAR FENDER.....	I-02	STARTING ROTOR.....	E-10		

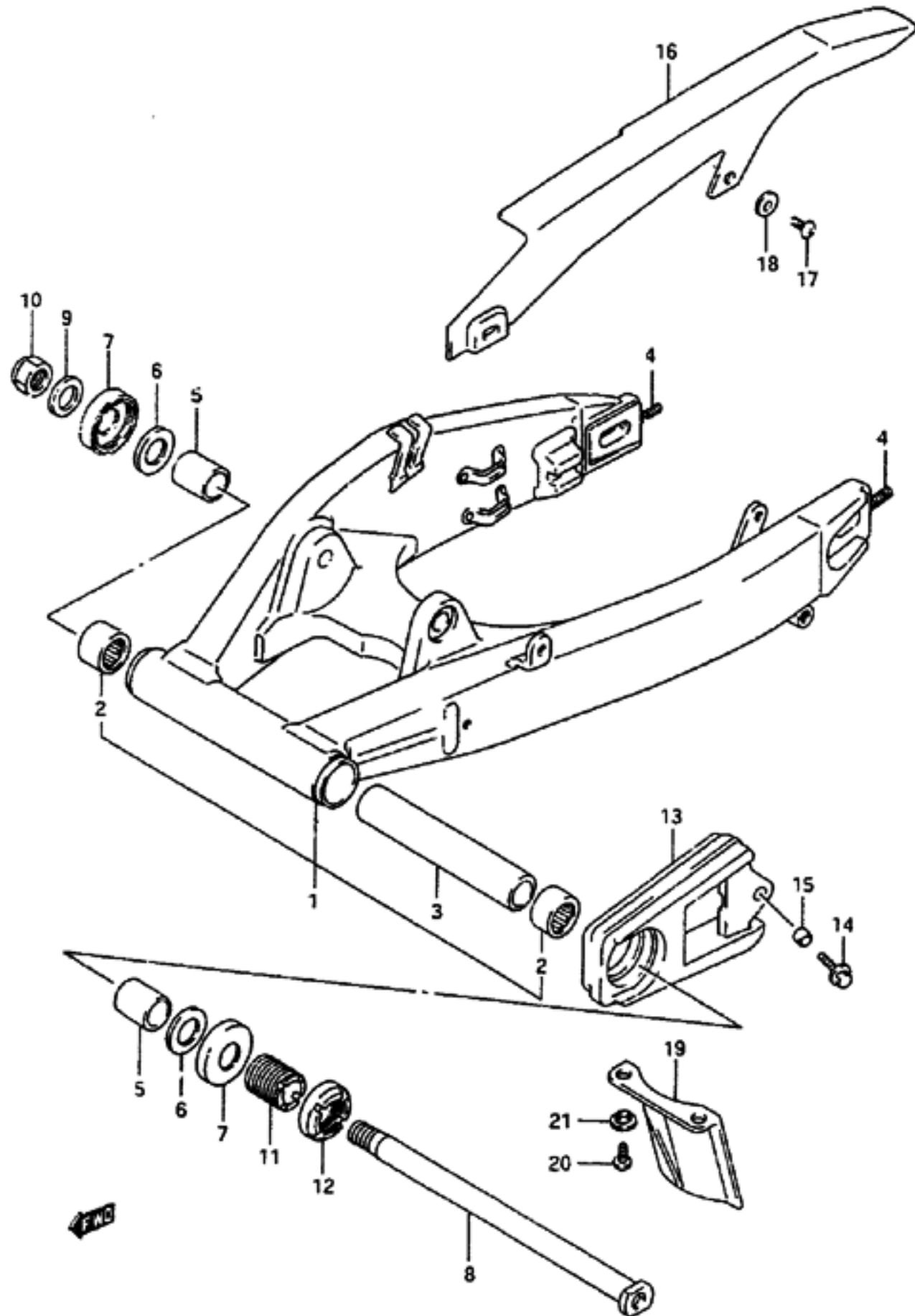


AIR CLEANER.....	C-11	COMING BODY.....	I-04	FRAME COVER.....	H-02	FUEL TANK.....	G-09	MUFFLER.....	D-02	REAR MASTER CYLINDER	L-11	STEERING DAMPER.....	K-05
ALTERNATOR.....	E-11	CRANKCASE COVER.....	B-09	FRAME.....	G-02	GEAR SHIFTING.....	E-08	OIL COOLER.....	D-04	REAR SWINGING ARM..	L-02	STEERING STEM.....	K-04
BATTERY.....	F-02	CRANKCASE.....	B-06	FRONT BRAKE HOSE...	K-10	HANDLE LEVER.....	H-16	OIL PAN - OIL PUMP..	B-10	REAR WHEEL.....	L-06	TAIL LAMP.....	F-10
CAM CHAIN.....	C-04	CRANKSHAFT.....	B-12	FRONT CALIPERS.....	K-08	HANDLE SWITCH.....	F-13	OPTIONAL.....	L-13	SEAT.....	J-05	TRANSMISSION.....	E-06
CAM SHAFT - VALVE..	C-02	CYLINDER HEAD COVER	B-02	FRONT DAMPER.....	K-02	HANDLEBAR.....	H-14	RADIATOR HOSE.....	D-07	SIGNAL GENERATOR...	E-15	TURN SIGNAL LAMP...	F-09
CARBURETOR FITTINGS	C-09	CYLINDER HEAD.....	B-03	FRONT FENDER.....	H-13	HEADLAMP.....	F-07	RADIATOR.....	D-06	SPEEDOMETER.....	F-04	WATER PUMP.....	D-05
CARBURETOR.....	C-05	CYLINDER.....	B-05	FRONT MASTER CYLIND	K-12	INSTALLATION PARTS..	I-08	REAR CALIPER.....	L-09	STAND.....	G-04	WIRING HARNESS.....	F-11
CLUTCH MASTER CYLIN	K-14	ELECTRICAL.....	F-03	FRONT WHEEL.....	K-06	INSTALLATION PARTS..	J-04	REAR CUSHION LEVER..	L-04	STARTER CLUTCH.....	B-14		
CLUTCH.....	E-02	FOOTREST.....	G-05	FUEL COCK.....	G-14	LABEL.....	J-04	REAR FENDER.....	I-02	STARTING MOTOR.....	E-10		

FIG.58

L 2

FIG.58 (L- 2) REAR SWINGING ARM (MODEL P/R)



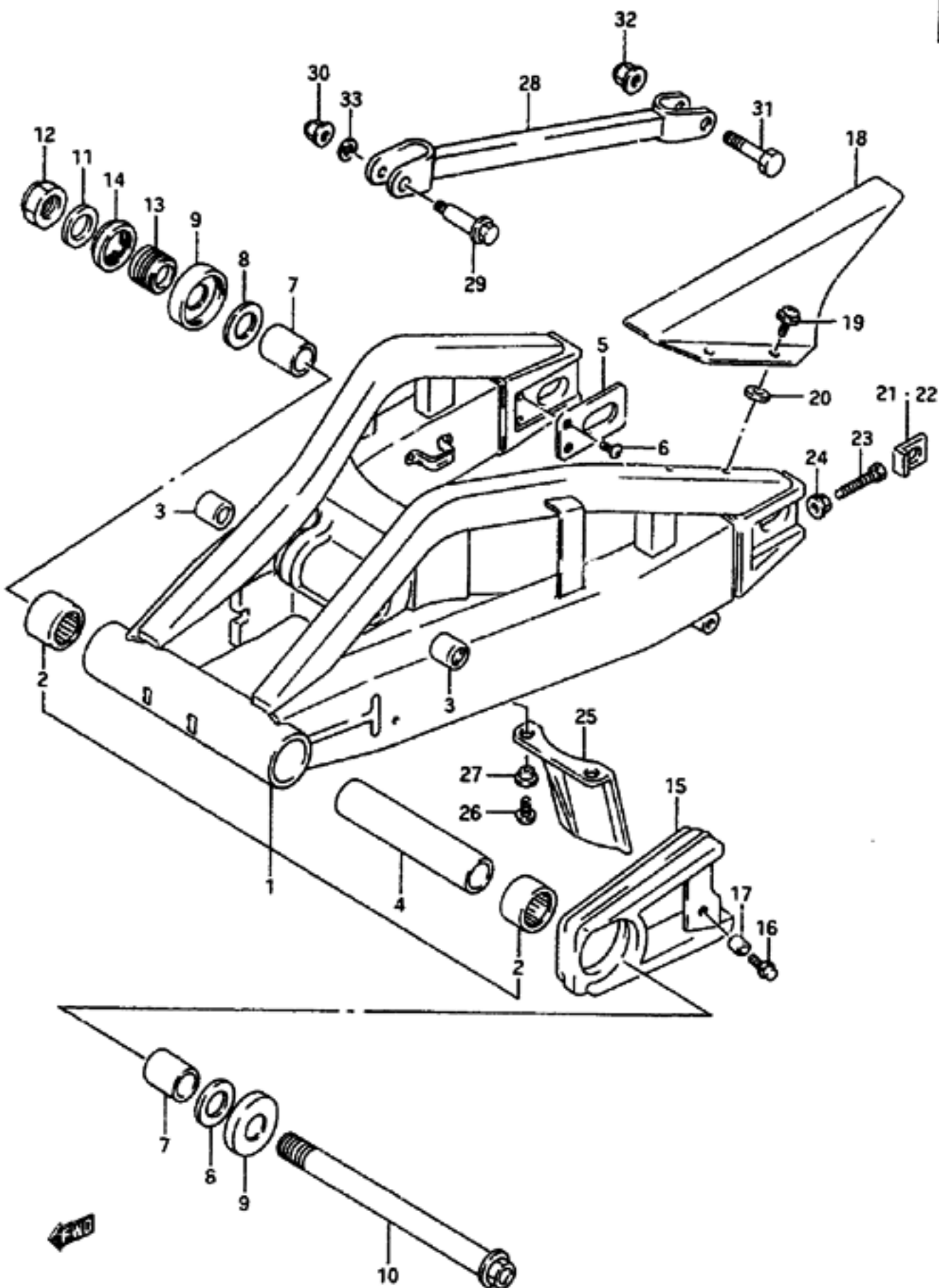
REF. NO.	PART NO.	DESCRIPTION	Q'TY	REMARKS
1	61000-46E00	SWINGING ARM ASSY. REAR	1	
2	09263-25024	.BEARING, PIVOT (25X33X30)	2	
3	61282-17C00	.SPACER, CENTER	1	
4	61431-40C00	.BOLT, STUD	2	
5	61251-17C00	SPACER, BEARING	2	
6	08211-20381	WASHER, THRUST	2	
7	61262-17C00	SEAL, DUST	2	
8	61211-17E01	SHAFT, PIVOT	1	
9-1	08322-11188	WASHER	1	MODEL P
9-2	08322-01183	WASHER	1	MODEL R
10	09159-18007	NUT	1	
11	61213-40C30	BOLT, PIVOT	1	
12	61214-40C30	NUT, PIVOT	1	
13	61273-46E00	BUFFER, CHAIN TOUCH DEFENSE	1	
14	09116-06111	BOLT	1	
15	09180-06002	SPACER	1	
16	61310-17E00	CASE, CHAIN	1	
17-1	02142-06104	SCREW	2	MODEL P
17-2	02142-06103	SCREW	2	MODEL R
18	09169-06026	WASHER	2	
19	63411-42A00	MUDGUARD, REAR UNIT	1	
20-1	02142-05167	SCREW	2	MODEL P
20-2	02142-06163	SCREW	2	MODEL R
21-1	09169-06025	WASHER	2	MODEL P
21-2	09169-06010	WASHER	2	MODEL R

REFER TO FIG.58A(L- 3) FOR MODEL S/T/V/W

GSX-R1100WW E28

AIR CLEANER.....	C-11	COWLING BODY.....	I-04	FRAME COVER.....	H-02	FUEL TANK.....	G-09	MUFFLER.....	D-02	REAR MASTER CYLINDE	L-11	STEERING DAMPER.....	K-05
ALTERNATOR.....	E-11	CRANKCASE COVER....	B-09	FRAME.....	G-02	GEAR SHIFTING.....	E-08	OIL COOLER.....	D-04	REAR SWINGING ARM..	L-02	STEERING STEM.....	K-04
BATTERY.....	F-02	CRANKCASE.....	B-06	FRONT BRAKE HOSE...	K-10	HANDLE LEVER.....	H-16	OIL PAN - OIL PUMP..	B-10	REAR WHEEL.....	L-04	TAIL LAMP.....	F-10
CAM CHAIN.....	C-04	CRANKSHAFT.....	B-12	FRONT CALIPERS.....	K-08	HANDLE SWITCH.....	F-13	OPTIONAL.....	L-13	SEAT.....	J-05	TRANSMISSION.....	E-06
CAM SHAFT - VALVE..	C-02	CYLINDER HEAD COVER	B-02	FRONT DANPER.....	K-02	HANDLEBAR.....	H-14	RADIATOR NOSE.....	D-07	SIGNAL GENERATOR...	E-15	TURN SIGNAL LAMP...	F-09
CARBURETOR FITTINGS	C-09	CYLINDER HEAD.....	B-03	FRONT FENDER.....	H-13	HEADLAMP.....	F-07	RADIATOR.....	D-06	SPEEDOMETER.....	F-04	WATER PUMP.....	D-05
CARBURETOR.....	C-05	CYLINDER.....	B-05	FRONT MASTER CYLIND	K-12	INSTALLATION PARTS..	I-08	REAR CALIPER.....	L-09	STAND.....	G-04	WIRING HARNESS.....	F-11
CLUTCH MASTER CYLIN	K-14	ELECTRICAL.....	F-03	FRONT WHEEL.....	K-06	INSTALLATION PARTS..	J-02	REAR CUSHION LEVER..	L-04	STARTER CLUTCH.....	B-14		
CLUTCH.....	E-02	FOOTREST.....	G-05	FUEL COCK.....	G-14	LABEL.....	J-04	REAR FENDER.....	I-02	STARTING MOTOR.....	E-10		

FIG. 58A



L 3

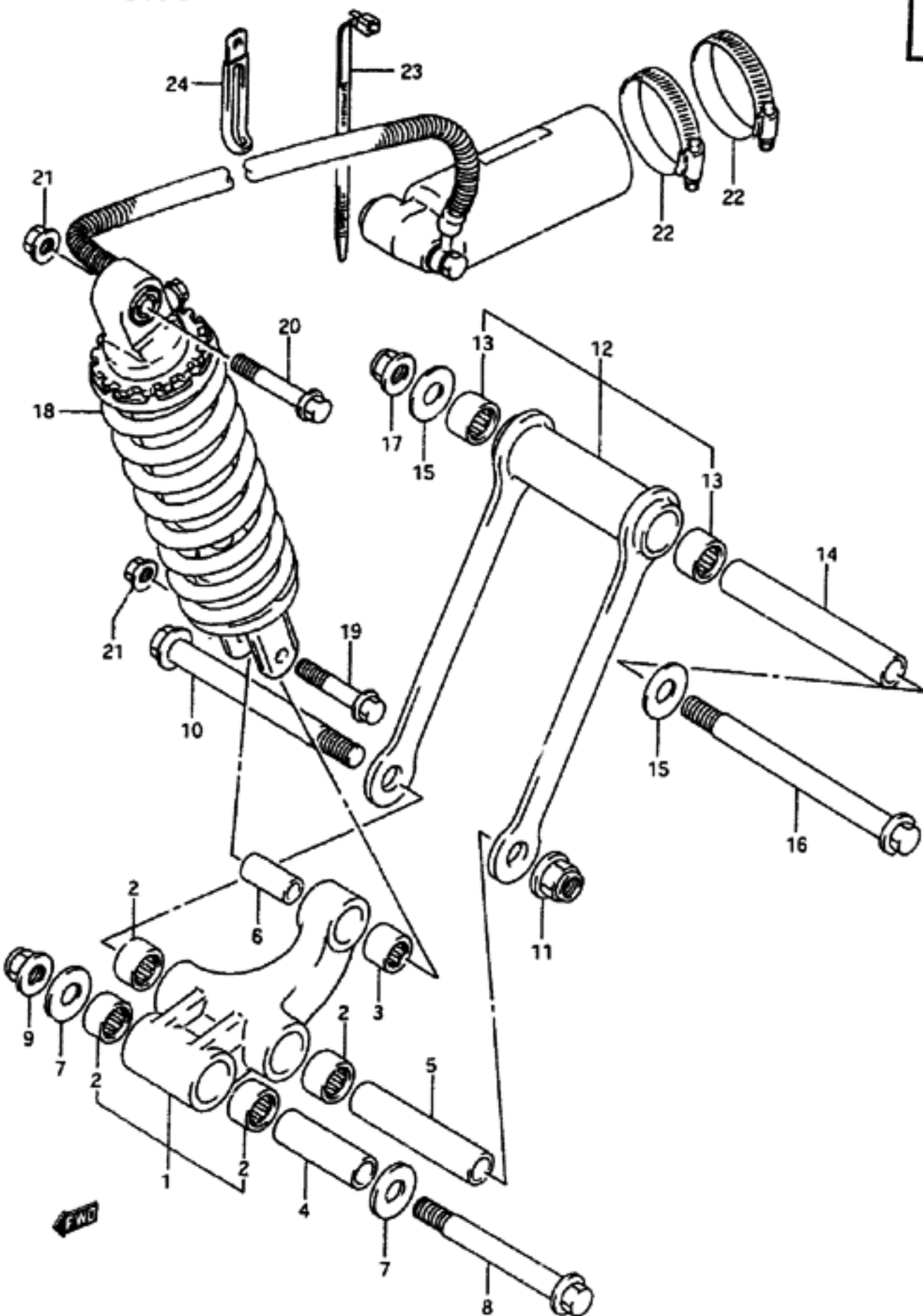
FIG. 58A(L-3) REAR SWINGING ARM (MODEL S/T/V/W)

REF. NO.	PART NO.	DESCRIPTION	Q'TY	REMARKS
1	61000-46E10	SWINGING ARM ASSY, REAR	1	
2	09283-30040	.BEARING, PIVOT (30X40X25)	2	
3	09283-17039	.BEARING, ROD (17X24X20)	2	
4	09180-25099	.SPACER (25.4X31.8X157.90)	1	
5	61124-17E10	PLATE, BRACKET	2	
6	02142-06103	SCREW	4	
7	61251-17E10	SPACER, BEARING	2	
8	08211-25481	WASHER, THRUST	2	
9	61262-17E10	SEAL, DUST	2	
10	61211-17E10	SHAFT, PIVOT	1	
11	09160-25070	WASHER	1	
12	09159-25001	NUT	1	
13	61213-17E10	BOLT, PIVOT	1	
14	61214-17E10	NUT, PIVOT	1	
15	61273-17E11	BUFFER, CHAIN TOUCH DEFENSE	1	
16	09116-06111	BOLT (6X20)	1	
17	09180-06283	SPACER (6.5X10X7)	1	
18	61311-17E10	CASE, CHAIN	1	
19	09136-06022	SCREW (6X20)	2	
20-1	09160-06084	WASHER	2	MODEL S/T/V
20-2	09180-06132	WASHER	2	MODFL W
21	61446-17E10	WASHER, CHAIN ADJUSTER LH	1	LH
22	61446-27C20	WASHER, CHAIN ADJUSTER RH	1	RH
23	09100-08287	BOLT (8X50)	2	
24	08316-10083	NUT	2	
25	63411-42A00	MUD GUARD, REAR UNIT	1	
26	02142-06163	SCREW	2	
27	09169-06010	WASHER	2	
28	64310-46E00	TORQUE LINK, REAR	1	
29-1	09111-08058	BOLT, FRONT (8X44)	1	MODEL S/T
29-2	09111-08083	BOLT, FRONT (8X44)	1	MODEL V/W
30	08319-31087	NUT	1	
31	09103-10019	BOLT, REAR (10X37)	1	
32	08319-31107	NUT	1	
33	08321-01123	LOCK WASHER, FRONT	1	

GSX-R1100NW E28

AIR CLEANER.....	C-11	COWLING BODY.....	I-04	FRAME COVER.....	H-02	FUEL TANK.....	G-09	MUFFLER.....	D-02	REAR MASTER CYLINDER	L-11	STEERING LAMP.....	K-05
ALTERNATOR.....	E-11	CRANKCASE COVER.....	B-09	FRAME.....	G-02	GEAR SHIFTING.....	F-08	OIL COOLER.....	D-04	REAR SWINGING ARM..	L-02	STEERING STEN.....	K-04
BATTERY.....	F-02	CRANKCASE.....	B-06	FRONT BRAKE HOSE...	K-10	HANDLE LEVER.....	H-16	OIL PAN - OIL PUMP..	B-10	REAR WHEEL.....	L-06	TAIL LAMP.....	F-10
CAM CHAIN.....	C-04	CRANKSHAFT.....	B-12	FRONT CALIPERS.....	K-08	HANDLE SWITCH.....	F-13	OPTIONAL.....	L-13	SEAT.....	J-05	TRANSMISSION.....	E-06
CAM SHAFT - VALVE..	C-02	CRANKSHAFT HEAD COVER	B-02	FRONT DAMPER.....	K-02	HANDLEBAR.....	H-14	RADIATOR HOSE.....	D-07	SIGNAL GENERATOR...	E-15	TURN SIGNAL LAMP...	F-09
CARBURETOR FITTINGS	C-09	CYLINDER HEAD.....	B-03	FRONT FENDER.....	H-13	HEADLAMP.....	F-07	RADIATOR.....	D-06	SPEEDOMETER.....	F-04	WATER PUMP.....	D-05
CARBURETOR.....	C-05	CYLINDER.....	B-05	FRONT MASTER CYLIND	K-12	INSTALLATION PARTS..	I-08	REAR CALIPER.....	L-09	STAND.....	G-04	WIRING HARNESS.....	F-11
CLUTCH MASTER CYLIN	K-14	ELECTRICAL.....	F-03	FRONT WHEEL.....	K-06	INSTALLATION PARTS..	J-02	REAR CUSHION LEVER..	L-04	STARTER CLUTCH.....	B-14		
CLUTCH.....	E-02	FOOTREST.....	G-05	FUEL COCK.....	G-14	LABEL.....	J-04	REAR FENDER.....	I-02	STARTING MOTOR.....	E-10		

FIG. 59



L 4

FIG. 59 (L- 4) REAR CUSHION LEVER (MODEL P/R)

REF. NO.	PART NO.	DESCRIPTION	Q'TY	REMARKS
1	62600-40830	LEVER SET, REAR CUSHION	1	
2	09263-20071	.BEARING (20X27X23.5)	4	
3	09263-17034	.BEARING (17X24X26)	1	
4	62317-17C00	SPACER, FRONT	1	
5	62317-40C10	SPACER, CENTER	1	
6	62684-40A10	SPACER, REAR	1	
7	08211-14323	WASHER, FRONT	2	
8	62621-17C00	BOLT, FRONT (14X112)	1	
9	08319-31148	NUT	1	
10	62658-40C10	BOLT, CENTER (14X124)	1	
11	08319-31148	NUT	1	
12	62600-17840	ROD SET, REAR CUSHION LEVER	1	
13	09263-20071	.BEARING (20X27X23.5)	2	
14	09180-14022	SPACER, ROD (14X20X122)	1	
15	08211-14321	WASHER, ROD	2	
16	09103-14019	BOLT, ROD (14X161)	1	
17	08319-31148	NUT	1	
18	62100-46E00	ABSORBER ASSY, REAR SHOCK	1	
19	09103-10027	BOLT, LOWER (10X58)	1	
20-1	09103-10101	BOLT, UPPER (10X54)	1	MODEL P
20-2	09103-10027	BOLT, UPPER (10X58)	1	MODEL R
21	08319-31107	NUT	2	
22	09402-43501	CLAMP	2	
23	09407-18402	CLAMP	1	
24	09404-08413	CLAMP	1	

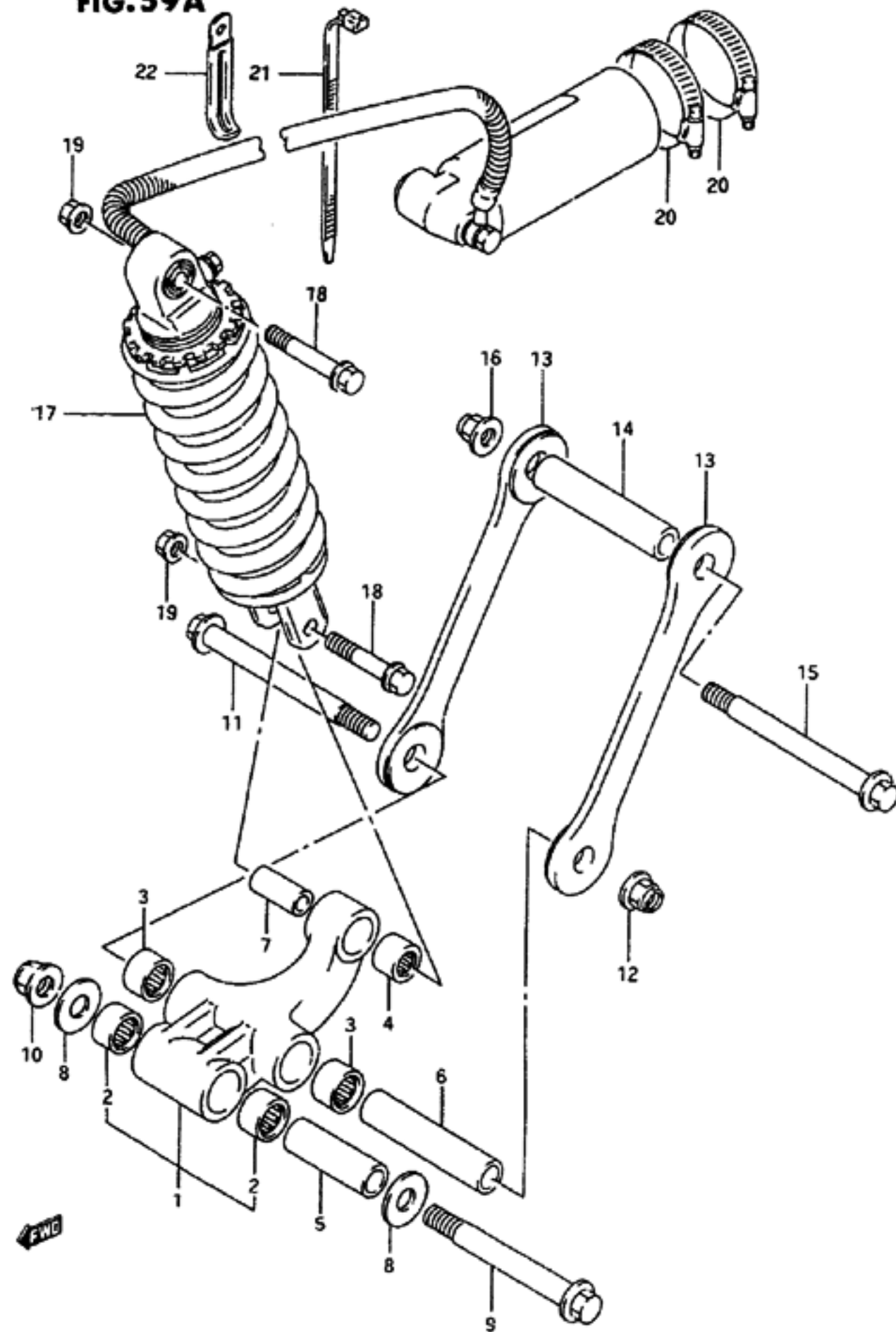
REFER TO FIG. 59A(L- 5) FOR MODEL S/T/V/W

GSX-R1100NW E28

123

AIR CLEANER.....	C-11	COWLING BODY.....	I-04	FRAME COVER.....	H-02	FUEL TANK.....	G-09	MUFFLER.....	D-02	REAR MASTER CYLINDER	L-11	STEERING DAMPER.....	K-05
ALTERNATOR.....	E-11	CRANKCASE COVER.....	B-09	FRAME.....	G-02	GEAR SHIFTING.....	E-08	OIL COOLER.....	C-04	REAR SWINGING ARM..	L-02	STEERING STEM.....	K-04
BATTERY.....	F-02	CRANKCASE.....	B-06	FRONT BRAKE HOSE.....	K-10	HANDLE LEVER.....	H-16	OIL PAN - OIL PUMP..	B-10	REAR WHEEL.....	L-06	TAIL LAMP.....	F-10
CAN CHAIN.....	C-04	CRANKSHAFT.....	B-12	FRONT CALIPERS.....	K-08	HANDLE SWITCH.....	F-13	OPTIONAL.....	L-13	SEAT.....	J-05	TRANSMISSION.....	E-06
CAM SHAFT - VALVE..	C-02	CYLINDER HEAD COVER	B-02	FRONT DAMPER.....	K-02	HANDLEBAR.....	H-14	RADIATOR HOSE.....	D-07	SIGNAL GENERATOR...	E-15	TURNSIGNAL LAMP....	F-09
CARBURETOR FITTINGS	C-09	CYLINDER HEAD.....	B-03	FRONT FENDER.....	H-13	HEADLAMP.....	F-07	RADIATOR.....	D-06	SPEEDOMETER.....	F-04	WATER PUMP.....	D-05
CARBURETOR.....	C-05	CYLINDER.....	B-05	FRONT MASTER CYLIND	K-12	INSTALLATION PARTS..	I-08	REAR CALIPER.....	L-09	STAND.....	G-04	WIRING HARNESS....	F-11
CLUTCH MASTER CYLIN	K-14	ELECTRICAL.....	F-03	FRONT WHEEL.....	K-06	INSTALLATION PARTS..	J-02	REAR CUSHION LEVER..	L-04	STARTER CLUTCH.....	B-14		
CLUTCH.....	E-02	FOOTREST.....	G-05	FUEL COCK.....	G-14	LABEL.....	J-04	REAR FENDER.....	I-02	STARTING MOTOR.....	E-10		

FIG. 59A



L 5

FIG. 59A(L- 5) REAR CUSHION LEVER (MODEL S/T/V/W)

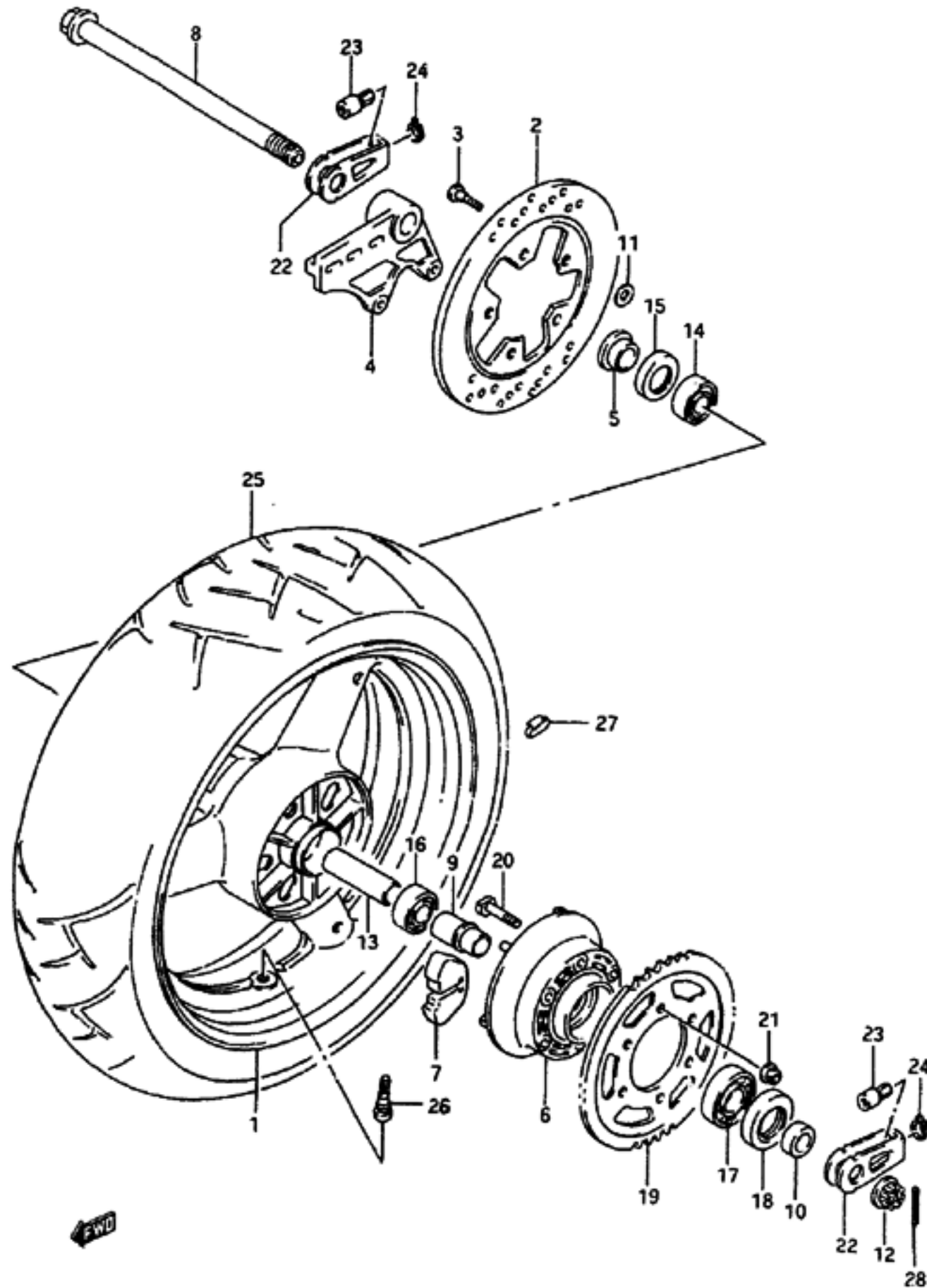
REF. NO.	PART NO.	DESCRIPTION	Q'TY	REMARKS
1	62600-17811	LEVER SET, REAR CUSHION	1	
2	09263-20071	. BEARING, FRONT (20X27X23.5)	2	
3	09263-17039	. BEARING, CENTER (17X24X20)	2	
4	09263-17034	. BEARING, REAR (17X24X26)	1	
5	62317-17000	SPACER, FRONT	1	
6	09180-12122	SPACER, CENTER (12X17X85)	1	
7	62684-40A10	SPACER, REAR	1	
8	08211-14323	WASHER, FRONT	2	
9	62621-17000	BOLT, FRONT (14X112)	1	
10	08319-31148	NUT	1	
11	09103-12037	BOLT, CENTER (12X115)	1	
12	08319-31128	NUT	1	
13	62640-46E10	ROD, REAR CUSHION LEVER	2	
14	09180-12122	SPACER, ROD (12X17X85)	1	
15	09103-12037	BOLT, ROD (12X115)	1	
16	08319-31128	NUT	1	
17	62100-46E10	ABSORBER ASSY, REAR SHOCK	1	
18	09103-10027	BOLT (10X58)	2	
19	08319-31107	NUT	2	
20	09402-50511	CLAMP	2	
21	09407-18403	CLAMP	1	
22	09404-08207	CLAMP	1	

GSX-R1100WW E28

124

AIR CLEANER..... C-11	COWLING BODY..... I-04	FRAME COVER..... H-02	FUEL TANK..... G-09	MUFFLER..... D-02	REAR MASTER CYLINDER..... L-11	STEERING DAMPER..... K-05
ALTERNATOR..... E-11	CRANKCASE COVER..... B-09	FRAME..... G-02	GEAR SHIFTING..... E-08	OIL COOLER..... D-04	REAR SWINGING ARM..... L-02	STEERING STEM..... K-04
BATTERY..... F-02	CRANKCASE..... B-06	FRONT BRAKE HOSE..... K-10	HANDLE LEVER..... H-16	OIL PAN - OIL PUMP..... B-10	REAR WHEEL..... L-06	TAIL LAMP..... F-10
CAN CHAIN..... C-04	CRANKSHAFT..... B-12	FRONT CALIPERS..... K-08	HANDLE SWITCH..... F-13	OPTIONAL..... L-13	SEAT..... J-05	TRANSMISSION..... E-06
CAM SHAFT - VALVE..... C-02	CYLINDER HEAD COVER..... B-02	FRONT DAMPER..... K-02	HANDLEBAR..... H-14	RADIATOR HOSE..... D-07	SIGNAL GENERATOR..... E-15	TURNSIGNAL LAMP..... F-09
CARBURETOR FITTINGS..... C-09	CYLINDER HEAD..... B-03	FRONT FENDER..... H-13	HEADLAMP..... F-07	RADIATOR..... D-06	SPEEDOMETER..... F-04	WATER PUMP..... D-05
CARBURETOR..... C-05	CYLINDER..... B-05	FRONT MASTER CYLINDER..... K-12	INSTALLATION PARTS..... I-08	REAR CALIPER..... L-09	STAND..... G-04	WIRING HARNESS..... F-11
CLUTCH MASTER CYLINDER..... K-14	ELECTRICAL..... F-03	FRONT WHEEL..... K-06	INSTALLATION PARTS..... J-02	REAR CUSHION LEVER..... L-04	STARTER CLUTCH..... B-14	
CLUTCH..... E-02	FOOTREST..... W-05	FUEL COCK..... G-14	LABEL..... J-04	REAR FENDER..... I-02	STARTING MOTOR..... E-10	

FIG.60



L 6

FIG. 60 (L- 6) REAR WHEEL (MODEL P/R)

REF. NO.	PART NO.	DESCRIPTION	Q'TY	REMARKS
1-1	64111-07D10-1MJ	WHEEL, REAR (17XMT5.50) (BLUE)	1	FOR #18
1-2	64111-07D10-1TU	WHEEL, REAR (17XMT5.50) (PURPLE)	1	FOR 17U
1-3	64111-07D10-1DR	WHEEL, REAR (17XMT5.50) (PURPLE)	1	FOR 33J
2	69211-17C10	DISC, REAR BRAKE (BLACK)	1	
3-1	09106-08082	BOLT	5	MODEL P
3-2	09106-08125	BOLT	5	MODEL R
4	69721-17E00	BRACKET, REAR CALIPERS	1	
5	64741-17E00	SPACER, RH	1	
6	64611-17E00	DRUM, SPROCKET	1	
7	64651-17E00	SHOCK ABSORBER, DRUM	6	
8	64711-17E10	AXLE, REAR	1	
9	64733-48B00	RETAINER, DRUM	1	
10	64751-46E00	SPACER, LH	1	
11	09181-10002	SHIM, REAR DISC	5	
12	09141-20004	NUT	1	
13	64731-40C00	SPACER, BEARING	1	
14	09262-20114	BEARING, RH (20X47X14)	1	
15	09285-28001	SEAL, OIL RH (28X47X7)	1	
16	09262-20042	BEARING, LH (20X47X14)	1	
17	09262-25114	BEARING, DRUM (25X62X17)	1	
18	09285-35001	OIL SEAL (35X62X8)	1	

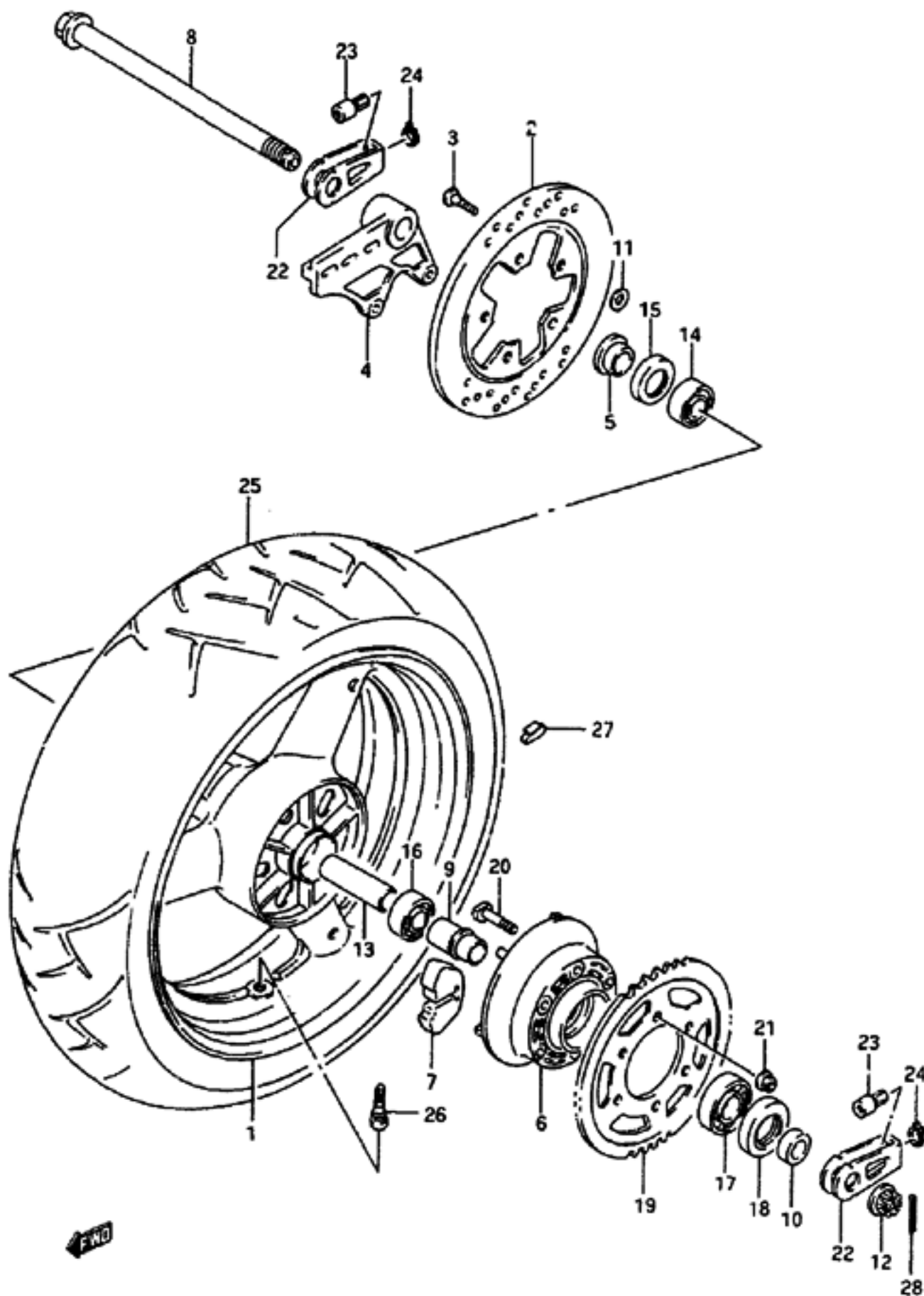
REFER TO FIG. 60A(L- 8) FOR MODEL S/T/V/W

GSX-P:1100W E28

125

AIR CLEANER.....	C-11	CONJUG BODY.....	I-04	FRAME COVER.....	H-02	FUEL TANK.....	G-09	MUFFLER.....	D-02	REAR MASTER CYLINDER	L-11	STEERING DAMPER.....	K-05
ALTERNATOR.....	E-11	CRANKCASE COVER.....	B-09	FRAME.....	G-02	GEAR SHIFTING.....	E-08	OIL COOLER.....	D-04	REAR SWINGING ARM..	L-02	STEERING STEM.....	K-04
BATTERY.....	F-02	CRANKCASE.....	B-06	FRONT BRAKE HOSE..	K-10	HANDLE LEVER.....	H-16	OIL PAN - OIL PUMP..	B-10	REAR WHEEL.....	L-06	TAIL LAMP.....	F-10
CAM CHAIN.....	C-04	CRANKSHAFT.....	B-12	FRONT CALIPERS.....	K-08	HANDLE SWITCH.....	F-13	OPTIONAL.....	L-13	SEAT.....	J-05	TRANSMISSION.....	E-06
CAM SHAFT - VALVE..	C-02	CYLINDER HEAD COVER	B-02	FRONT DAMPER.....	K-02	HANDLEBAR.....	I-14	RADIATOR HOSE.....	D-07	SIGNAL GENERATOR...	E-15	TURN SIGNAL LAMP...	F-09
CARBURETOR FITTINGS	C-09	CYLINDER HEAD.....	B-03	FRONT FENDER.....	H-13	HEADLAMP.....	F-07	RADIATOR.....	D-06	SPEEDOMETER.....	F-04	WATER PUMP.....	D-05
CARBURETOR.....	C-05	CYLINDER.....	B-05	FRONT MASTER CYLIND	K-12	INSTALLATION PARTS..	I-08	REAR CALIPER.....	L-09	STAND.....	G-04	WIRING HARNESS.....	F-11
CLUTCH MASTER CYLIN	K-14	ELECTRICAL.....	F-03	FRONT WHEEL.....	K-04	INSTALLATION PARTS..	J-02	REAR CUSHION LEVER..	L-04	STARTER CLUTCH.....	B-14		
CLUTCH.....	E-02	FOOTREST.....	G-05	FUEL COCK.....	G-14	LABEL.....	J-04	REAR FENDER.....	I-02	STARTING MOTOR.....	E-10		

FIG. 60



L 7

FIG. 80 (L- 7) REAR WHEEL (MODEL P/R)

REF. NO.	PART NO.	DESCRIPTION	Q'TY	REMARKS
19	64511-46E00	SPROCKET, REAR (NT:42)	1	
20	09119-10037	BOLT	6	
21	08319-31107	NUT	6	
22	61411-40C00	ADJUSTER, CHAIN	2	
23	61415-40C00	NUT, ADJUSTER	2	
24	08331-31136	CIRCLIP	2	
25	65110-46E10	TIRE, REAR (180/55 ZR17 D202G) DUNLOP	1	
26-1	43130-24A00	VALVE ASSY, WHEEL RIM TR412	1	-43130-24A11
26-2	43130-24A11	VALVE ASSY, WHEEL RIM TR412	1	
27-1	55411-00A00	BALANCER (10G)	0-3	
27-2	55412-00A00	BALANCER (20G)	0-3	
27-3	55413-00A00	BALANCER (30G)	0-3	
28	04111-40408	PIN, COTTER	1	

REFER TO FIG. 60A(L- 8) FOR MODEL S/T/V/W

GSX-R1100MM E28

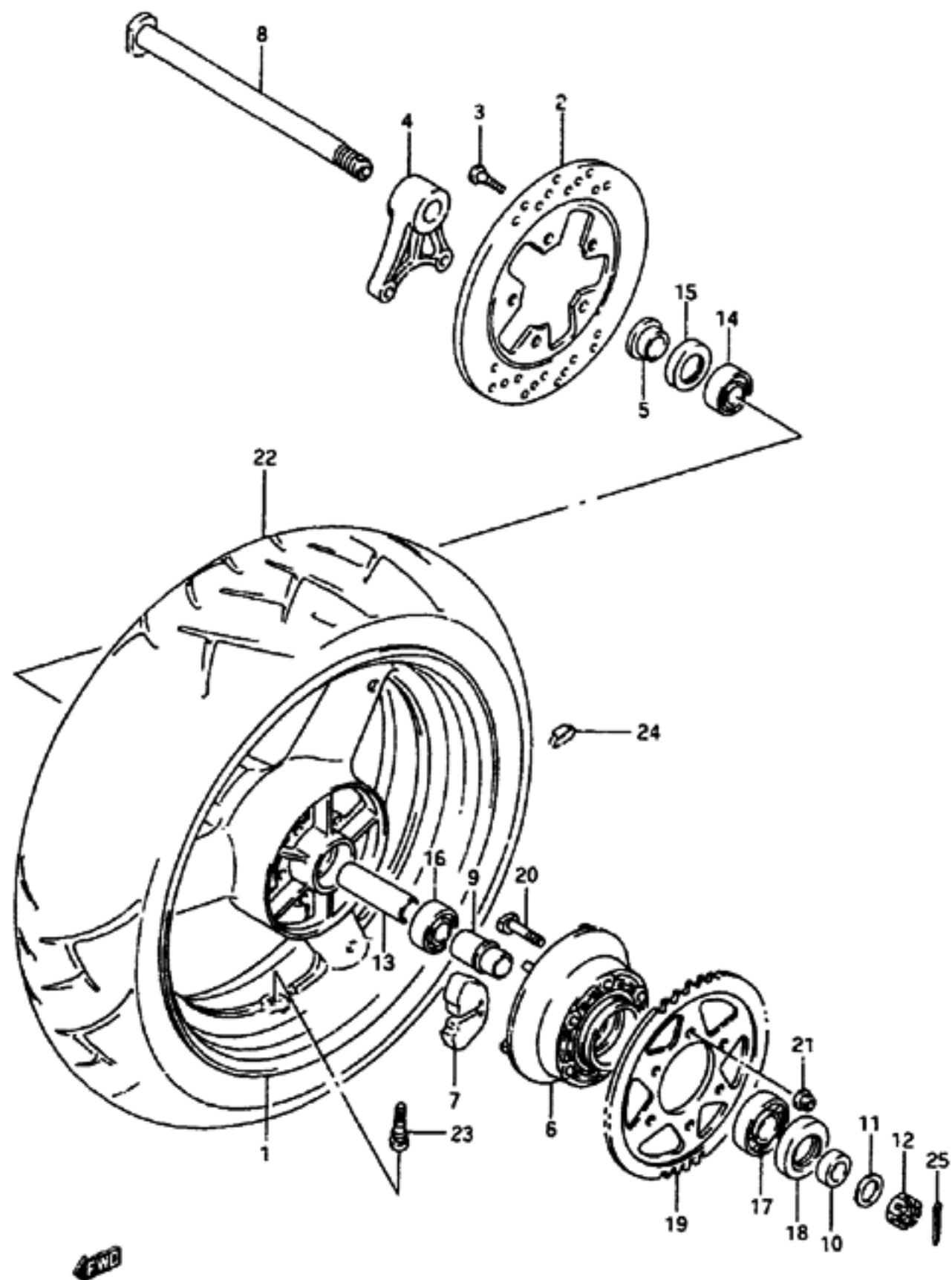
126

AIR CLEANER.....	C-11	COWLING BODY.....	I-04	FRAME COVER.....	H-02	FUEL TANK.....	G-09	MUFFLER.....	D-02	REAR MASTER CYLINDER.....	L-11	STEERING DAMPER.....	K-05
ALTERNATOR.....	E-11	CRANKCASE COVER.....	B-09	FRAME.....	G-02	GEAR SHIFTING.....	E-00	OIL COOLER.....	C-04	REAR SWINGING ARM.....	L-02	STEERING STEM.....	K-04
BATTERY.....	F-02	CRANKCASE.....	B-06	FRONT BRAKE HOSE.....	K-10	HANDLE LEVER.....	H-16	OIL PAN - OIL PUMP.....	B-10	REAR WHEEL.....	L-06	TAIL LAMP.....	F-10
CAM CHAIN.....	C-04	CRANKSHAFT.....	B-12	FRONT CALIPERS.....	K-08	HANDLE SWITCH.....	F-13	OPTIONAL.....	L-13	SEAT.....	J-05	TRANSMISSION.....	E-06
CAM SHAFT - VALVE.....	C-02	CYLINDER HEAD COVER.....	B-02	FRONT DAMPER.....	K-02	HANDLEBAR.....	H-14	RADIATOR HOSE.....	D-07	SIGNAL GENERATOR.....	E-15	TURN SIGNAL LAMP.....	F-09
CARBURETOR FITTINGS.....	C-09	CYLINDER HEAD.....	B-03	FRONT FENDER.....	H-13	HEADLAMP.....	F-07	RADIATOR.....	D-04	SPEEDOMETER.....	F-04	WATER PUMP.....	D-05
CARBURETOR.....	C-05	CYLINDER.....	B-05	FRONT MASTER CYLINDER.....	K-12	INSTALLATION PARTS.....	I-08	REAR CALIPER.....	L-09	STAND.....	G-04	WIRING HARNESS.....	F-11
CLUTCH MASTER CYLINDER.....	K-14	ELECTRICAL.....	F-03	FRONT WHEEL.....	K-06	INSTALLATION PARTS.....	J-02	REAR CUSHION LEVER.....	L-04	STARTER CLUTCH.....	B-14		
CLUTCH.....	E-02	FOOTREST.....	G-05	FUEL COCK.....	G-14	LABEL.....	J-04	REAR FENDER.....	I-02	STARTING MOTOR.....	E-10		

FIG.60A

L 8

FIG. 60A(L- 8) REAR WHEEL (MODEL S/T/V/W)



REF. NO.	PART NO.	DESCRIPTION	Q'TY	REMARKS
1-1	64111-17E11-12V	WHEEL, REAR (17XMT5.50) (GREEN)	1	FOR M18
1-2	64111-17E11-1UL	WHEEL, REAR (17XMT5.50) (RED)	1	FOR A6G
1-3	64111-17E11-1TU	WHEEL, REAR (17XMT5.50) (PURPLE)	1	FOR C3B
1-4	64111-17E11-12R	WHEEL, REAR (17XMT5.50) (SILVER)	1	FOR E9P, G, J, G2P, K1V, G2E
2	69211-21E00	DISC, REAR BRAKE (BLACK)	1	
3	09106-0812G	BOLT	5	
4	89721-46E00	BRACKET, REAR CALIPERS	1	
5	64741-17E00	SPACER, RH	1	
6	64610-46E10	DRUM, SPROCKET	1	
7	64651-17E00	SHOCK ABSORBER, DRUM	6	
8	64711-17E30	AXLE, REAR	1	
9	64733-48B00	RETAINER, DRUM	1	
10	64751-46E00	SPACER, LH	1	
11	09160-18030	WASHER	1	
12	08314-40183	NUT	1	
13	64731-40G00	SPACER, BEARING	1	
14	09262-20114	BEARING, RH (20X47X14)	1	
15	09285-28001	SEAL, OIL RH (28X47X7)	1	
16	09262-20042	BEARING, LH (20X47X14)	1	
17	09262-25114	BEARING, DRUM (25X62X17)	1	
18	09285-35001	OIL SEAL (35X62X8)	1	
19	64511-46E10	SPROCKET, REAR (NT:44)	1	
20	09119-10037	BOLT	6	
21	08319-31107	NUT	6	
22-1	65110-46E20	TIRE, REAR 180/55 ZR17 (73W) DUNLOP	1	
22-2	65110-46E30	TIRE, REAR (180/55 ZR17 BT50R) (BRIDGESTONE)	1	MODEL S
23	43130-24A11	VALVE ASSY, WHEEL RIM TR412	1	
24-1	55411-00A00	BALANCER (103)	0-3	
24-2	55412-00A01	BALANCER (206)	0-3	
25	04111-40408	PIN, COTTER	1	

GSX-P1100WW E28

127

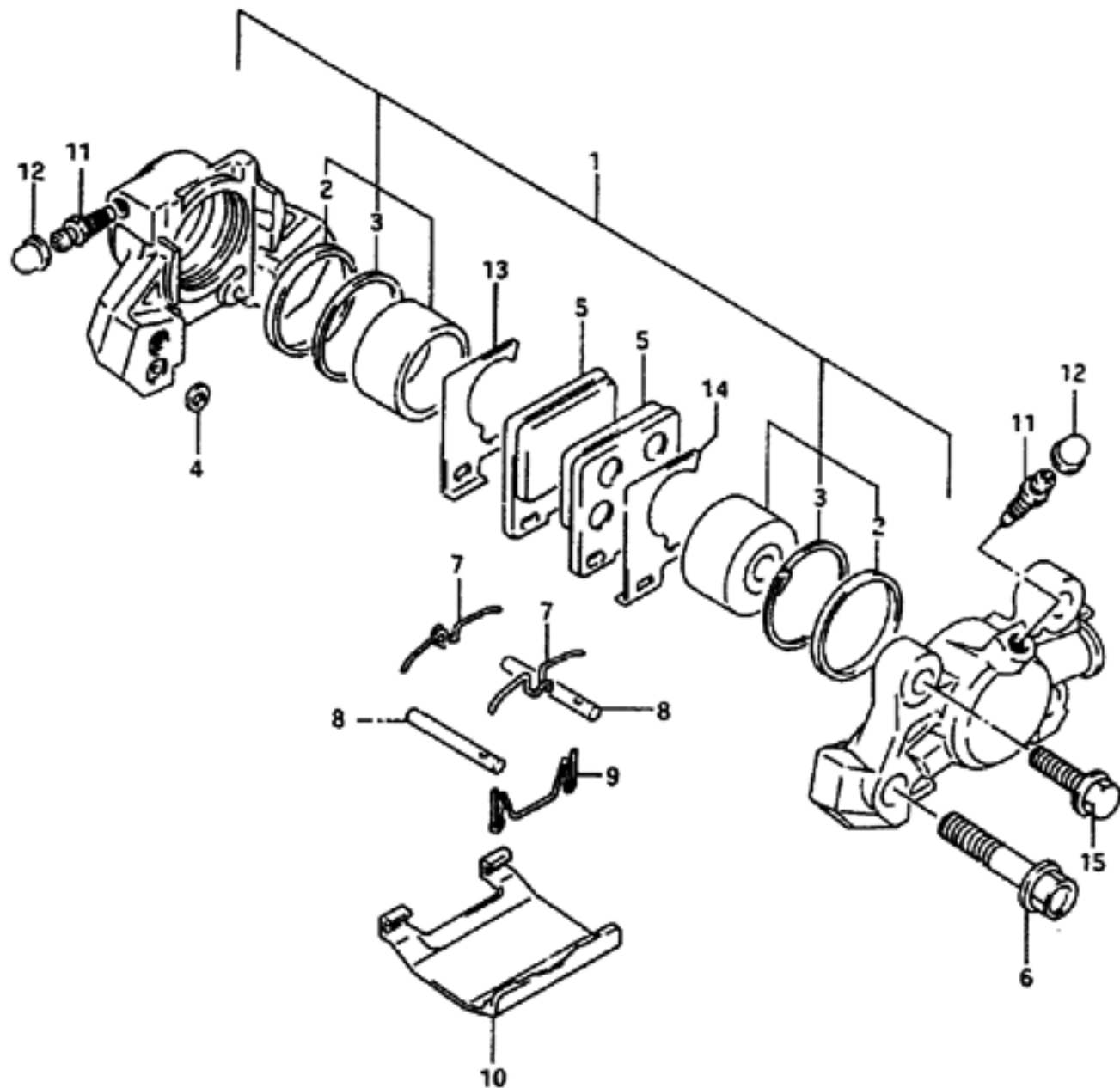
AIR CLEANER.....	C-11	COILING BODY.....	I-04	FRAME COVER.....	H-02	FUEL TANK.....	G-09	MUFFLER.....	D-02	REAR MASTER CYLINDER	L-11	STEERING DAMPER.....	K-05
ALTERNATOR.....	E-11	CRANKCASE COVER.....	B-09	FRAME.....	G-02	GEAR SHIFTING.....	E-08	OIL COOLER.....	D-04	REAR SWINGING ARM..	L-02	STEERING STEM.....	K-04
BATTERY.....	F-02	CRANKCASE.....	B-06	FRONT BRAKE HOSE...	K-10	HANDLE LEVER.....	H-16	OIL PAN - OIL PUMP, B-	B-10	REAR WHEEL.....	L-06	TAIL LAMP.....	F-10
CAM CHAIN.....	C-04	CRANKSHAFT.....	B-12	FRONT CALIPERS.....	K-08	HANDLE SWITCH.....	F-13	OPTIONAL.....	L-13	SEAT.....	J-05	TRANSMISSION.....	E-06
CAM SHAFT - VALVE..	C-02	CYLINDER HEAD COVER	B-02	FRONT DAMPER.....	K-02	HANDLEBAR.....	H-14	RADIATOR HOSE.....	D-07	SIGNAL GENERATOR...	E-15	URNSIGNAL LAMP.....	F-09
CARBURETOR FITTINGS	C-09	CYLINDER HEAD.....	B-03	FRONT FENDER.....	H-13	HEADLAMP.....	F-07	RADIATOR.....	D-04	SPEEDOMETER.....	F-04	WATER PUMP.....	D-05
CARBURETOR.....	C-05	CYLINDER.....	B-05	FRONT MASTER CYLIND	K-12	INSTALLATION PARTS, I-	I-08	REAR CALIPER.....	L-09	STAND.....	G-04	WIRING HARNESS.....	F-11
CLUTCH MASTER CYLIN	K-14	ELECTRICAL.....	F-03	FRONT WHEEL.....	K-04	INSTALLATION PARTS, J-	J-02	REAR CUSHION LEVER, L-	L-04	STARTER CLUTCH.....	B-14		
CLUTCH.....	E-02	FOOTREST.....	G-05	FUEL COCK.....	G-14	LABEL.....	J-04	REAR FENDER.....	L-02	STARTING MOTOR.....	E-10		

FIG.61

L 9

FIG.61 (L- P) REAR CALIPER (MODEL P/R)

REF. NO.	PART NO.	DESCRIPTION	Q'TY	REMARKS
	69100-46E00	CALIPER ASSY, REAR	1	
1	69100-32810	. PISTON SET	1	
2	59107-18410	. . SEAL	2	
3	69108-32800	. . BOOT	2	
4	69107-34200	. . SE/L	1	
5	59130-30821	. PAD	2	-59100-30820
6	59145-17C00	. BOLT	2	
7	59143-16700	. SPRING	2	
8	69141-46E00	. PIN	2	
9	69142-46E00	. CLIP	1	
10	59151-16701	. COVER	1	
11	59121-18410	. BLEEDER	2	
12	59122-18410	. CAP	2	
13	59371-20C00	. SHIM, INNER	1	
14	59381-20C00	. SHIM, OUTER	1	
15-1	01517-08304	BOLT	2	MODEL P
15-2	01550-08303	BOLT	2	MODEL R



REFER TO FIG.61A(L-10) FOR MODEL S/T/V/W

GSX-R1100NW E28

128

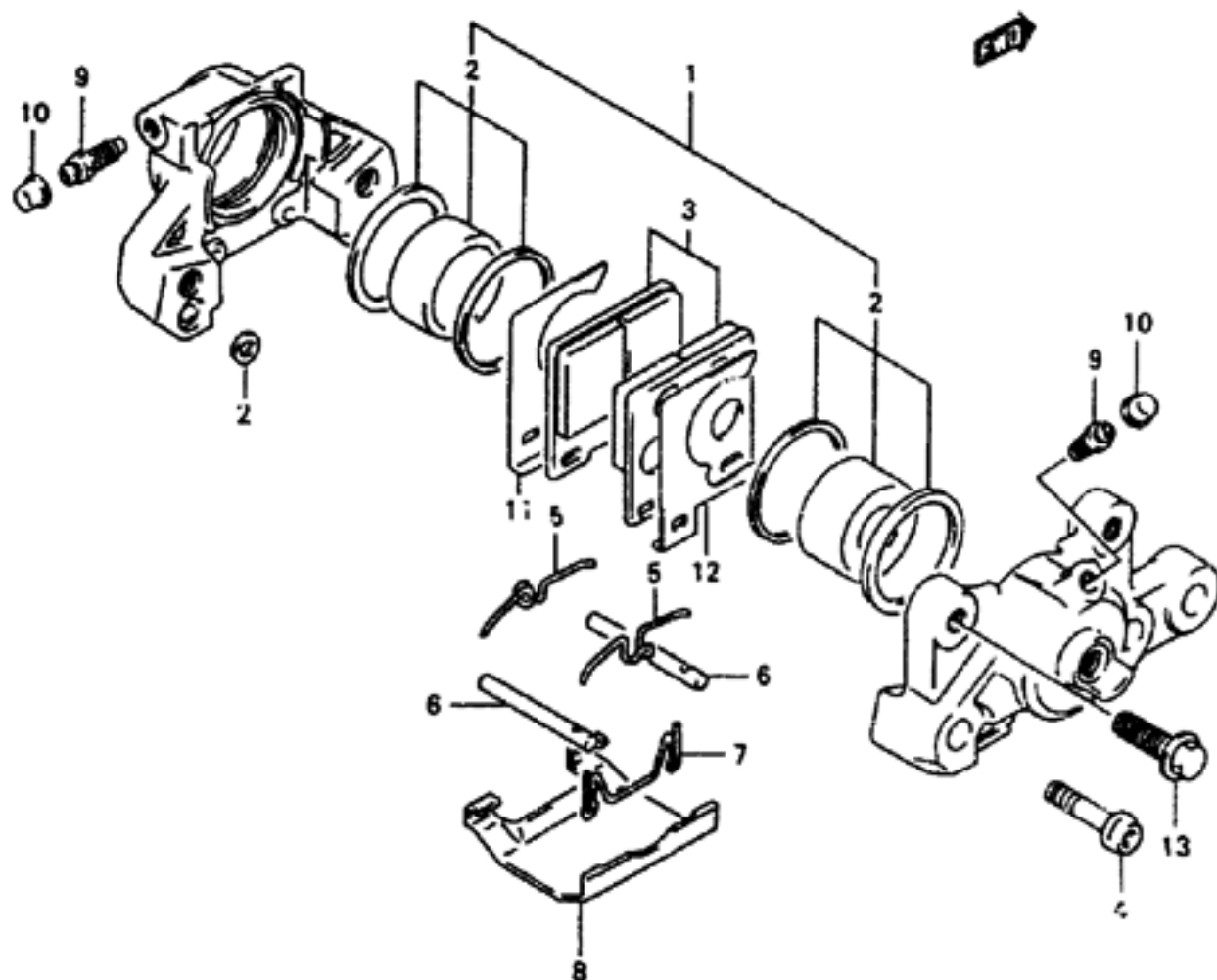
AIR CLEANER.....	C-11	COMLING BODY.....	I-04	FRAME COVER.....	H-02	FUEL TANK.....	G-09	MUFFLER.....	D-02	REAR MASTER CYLIND	L-11	STEERING DAMPER....	K-05
ALTERNATOR.....	E-11	CRANKCASE COVER...	B-09	FRAME.....	G-02	GEAR SHIFTING.....	E-08	OIL COOLER.....	D-04	REAR SWINGING ARM..	L-02	STEERING STEM.....	K-04
BATTERY.....	F-02	CRANKCASE.....	B-06	FRONT BRAKE HOSE...	K-10	HANDLE LEVER.....	M-16	OIL PAN - OIL PUMP.	B-10	REAR WHEEL.....	L-06	TAIL LAMP.....	F-10
CAM CHAIN.....	C-04	CRANKSHAFT.....	B-12	FRONT CALIPERS.....	K-08	HANDLE SWITCH.....	F-13	OPTIGNAL.....	L-15	SEAT.....	J-05	TRANSMISSION.....	E-06
CAM SHAFT - VALVE..	C-02	CYLINDER HEAD COVER	B-02	FRONT DAMPER.....	K-02	HANDLEBAR.....	H-14	RADIATOR HOSE.....	D-07	SIGNAL GENERATOR...	E-15	TURN SIGNAL LAMP...	F-09
CARBURETOR FITTINGS	C-09	CYLINDER HEAD.....	B-03	FRONT FENDER.....	H-13	HEADLAMP.....	F-07	RADIATOR.....	D-06	SPEEDOMETER.....	F-04	WATER PUMP.....	D-05
CARBURETOR.....	C-05	CYLINDER.....	B-05	FRONT MASTER CYLIND	K-12	INSTALLATION PARTS.	I-08	REAR CALIPER.....	L-09	STAND.....	G-04	WIRING HARNESS.....	F-11
CLUTCH MASTER CYLIN	K-14	ELECTRICAL.....	F-03	FRONT WHEEL.....	K-06	INSTALLATION PARTS.	J-02	REAR CUSHION LEVER.	L-04	STARTER CLUTCH.....	B-14		
CLUTCH.....	E-02	FOOTREST.....	G-05	FUEL COCK.....	G-14	LABEL.....	J-04	REAR FENDER.....	I-02	STARTING MOTOR.....	E-10		

FIG. 61A

L 10

FIG. 61A(L-10) REAR CALIPER (MODEL S/T/V/W)

REF. NO.	PART NO.	DESCRIPTION	Q'TY	REMARKS
	69100-05C41	CALIPER ASSY. REAR	1	
1-1	69100-32810	.PISTON SET	1	MODEL S MODEL T ~F. NO. 101527
1-2	69100-05850	.PISTON SET	1	MODEL T F. NO. 101528~ MODEL V/W
2	69100-32820	.SEAL SET, PISTON	1	
3	69100-05830	.PAD SET	1	
4-1	59145-16700	.BOLT	2	MODEL S MODEL T ~F. NO. 101527
4-2	59145-05C50	.BOLT	2	MODEL T F. NO. 101528~ MODEL V/W
5	59143-16700	.SPRING	2	
6	69141-46E01	.PIN	2	
7	69142-46E01	.CLIP	1	
8	59151-16701	.COVER	1	
9	59121-18410	.BLEEDER	2	
10	55156-88310	.CAP	2	
11	59371-20C00	.SHIM, INNER	1	
12	59381-20C00	.SHIM, OUTER	1	
13	01550-08303	BOLT	2	

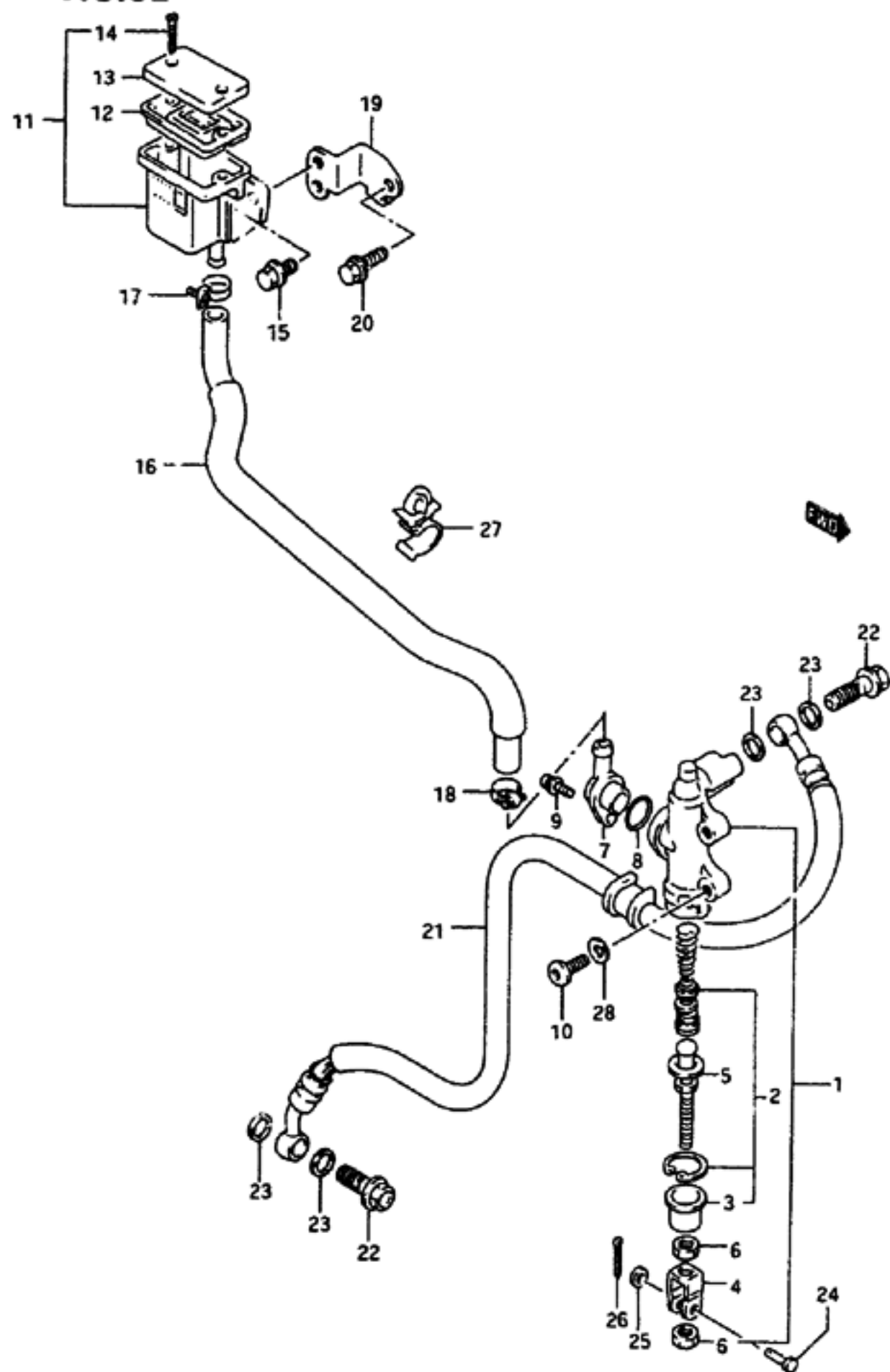


GSX-R1100NW E28

129

AIR CLEANER.....	C-11	COMLING BODY.....	I-04	FRAME COVER.....	H-02	FUEL TANK.....	G-09	MUFFLER.....	D-02	REAR MASTER CYLINDER	L-11	STEERING DAMPER....	K-05
ALTERNATOR.....	E-11	CRANKCASE COVER....	B-09	FRAME.....	G-02	GEAR SHIFTING.....	E-08	OIL COOLER.....	D-04	REAR SWINGING ARM..	L-02	STEERING STEM.....	K-04
BATTERY.....	F-02	CRANKCASE.....	B-06	FRONT BRAKE HOSE...	K-10	HANDLE LEVER.....	H-16	OIL PAN ~ OIL PUMP..	B-10	REAR WHEEL.....	L-06	TAIL LAMP.....	F-10
CAN CHAIN.....	C-04	CRANKSHAFT.....	B-12	FRONT CALIPERS.....	K-08	HANDLE SWITCH.....	F-13	OPTICAL.....	L-13	SEAT.....	J-05	TRANSMISSION.....	E-06
CAN SHAFT - VALVE..	C-02	CYLINDER HEAD COVER	B-02	FRONT DAMPER.....	K-02	HANDLEBAR.....	H-14	RADIATOR HOSE.....	D-07	SIGNAL GENERATOR...	E-15	TURNSIGNAL LAMP....	F-09
CARBURETOR FITTINGS	C-09	CYLINDER HEAD.....	B-03	FRONT FENDER.....	H-13	HEADLAMP.....	F-07	RADIATOR.....	D-04	SPEEDOMETER.....	F-04	WATER PUMP.....	D-05
CARBURETOR.....	C-05	CYLINDER.....	B-05	FRONT MASTER CYLIND	K-12	INSTALLATION PARTS..	I-08	REAR CALIPER.....	L-09	STAND.....	G-04	WIRING HARNESS....	F-11
CLUTCH MASTER CYLIN	K-14	ELECTRICAL.....	F-03	FRONT WHEEL.....	K-06	INSTALLATION PARTS..	J-02	REAR CUSHION LEVER..	L-04	STARTER CLUTCH.....	B-14		
CLUTCH.....	E-02	FOOTREST.....	G-05	FUEL COCK.....	G-14	LABEL.....	J-04	REAR FENDER.....	I-02	STARTING MOTOR.....	E-10		

FIG.62



L 11

FIG. 62 (L-11) REAR MASTER CYLINDER (MODEL P/R)

REF. NO.	PART NO.	DESCRIPTION	Q'TY	REMARKS
1	69500-17E00	CYLINDER ASSY. REAR MASTER	1	
2	69600-04820	. PISTON / CAP SET	1	
3	69691-00A00	. . BOOT	1	
4	69692-27A30	. YOKE	1	
5	69670-17E00	. ROD, PUSH	1	
6	69693-05A00	. NUT	2	
7	69672-05A00	. CONNECTOR	1	
8	69685-34200	. O RING	1	
9	02112-7412C	. SCREW	1	
10	09139-08009	BOLT (8X22)	2	
11	69740-24A01	TANK ASSY. REAR RESERVOIR	1	
12	59687-04700	. DIAPHRAGM	1	
13	59689-05D00	. CAP	1	
14	69689-04A00	SCREW	2	
15-1	01517-06127	BOLT	1	MODEL P
15-2	01550-06123	BOLT	1	MODEL R
16	69731-17E00	HOSE, RESERVOIR TANK	1	
17	09400-16302	CLAMP, UPPER	1	
18	09402-15502	CLAMP, LOWER	1	
19	69750-46E00	PLATE, RESERVOIR TANK	1	
20-1	01517-08207	BOLT, PLATE	1	MODEL P
20-2	01550-08163	BOLT, PLATE	1	MODEL R
21	69480-48C00	HOSE, REAR BRAKE	1	
22-1	09360-10017	BOLT (10X1.00X24)	2	MODEL P
22-2	09360-10039	BOLT (10X1.00X22)	2	MODEL R
23	09161-10009	WASHER (10X15X1.5)	4	
24	09200-08037	PIN	1	
25-1	08322-21087	WASHER	1	MODEL P
25-2	08322-01083	WASHER	1	MODEL R
26	04111-20158	PIN, COTTER	1	
27	09403-16307	GUIDE, RESERVOIR TANK HOSE	1	
28-1	08321-21088	LOCK WASHER	2	MODEL P
28-2	08321-01083	LOCK WASHER	2	MODEL R

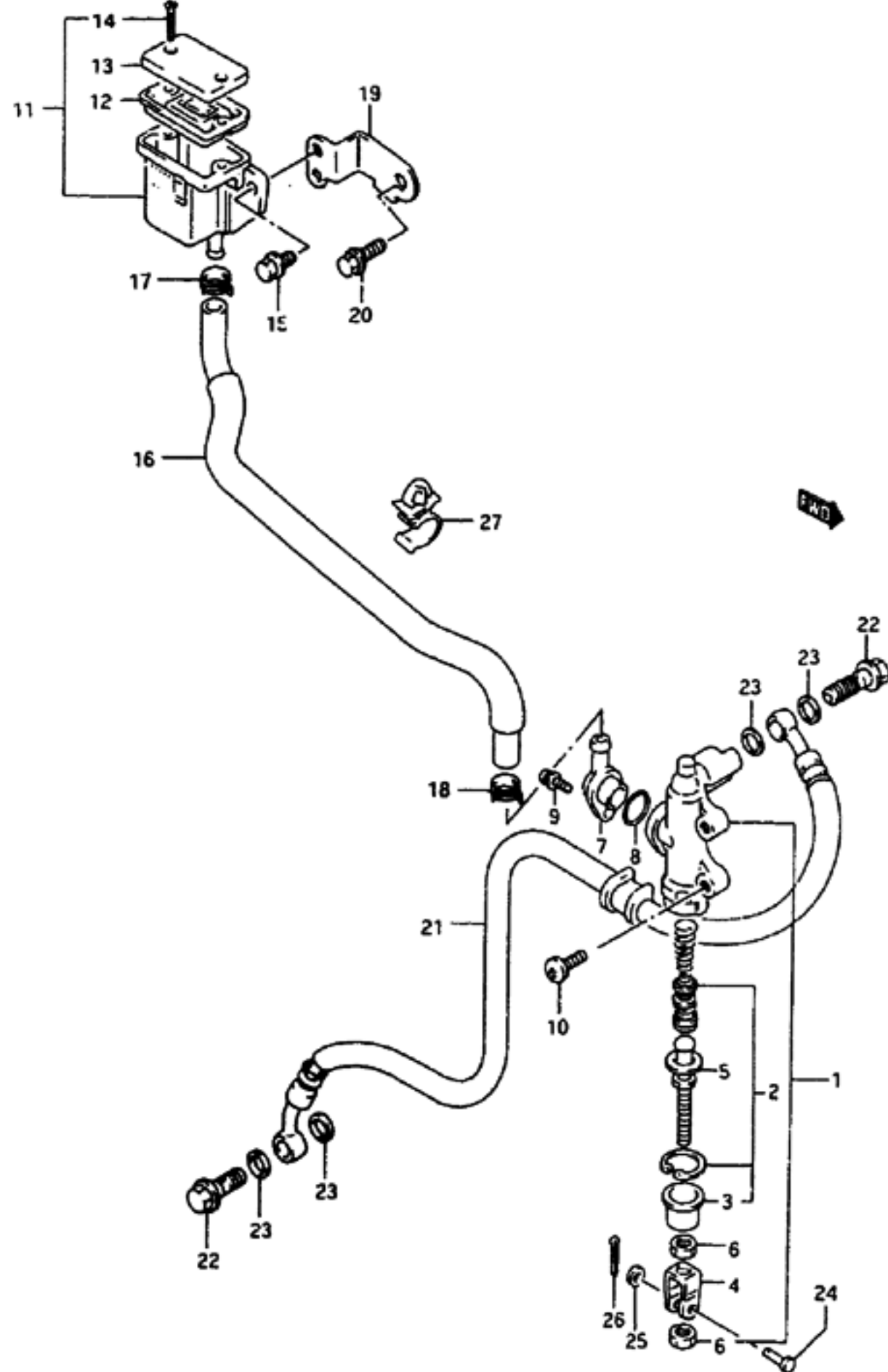
REFER TO FIG. 62A(L-12) FOR MODEL S/T/V/W

GSX-R1100% E28

130

AIR CLEANER.....	C-11	COMLING BODY.....	I-04	FRAME COVER.....	H-02	FUEL TANK.....	G-09	MUFFLER.....	D-02	REAR MASTER CYLINDER	L-11	STEERING DAMPER.....	K-05
ALTERNATOR.....	E-11	CRANKCASE COVER.....	B-09	FRAME.....	G-02	GEAR SHIFTING.....	E-08	OIL COOLER.....	D-04	REAR SWINGING ARM..	L-02	STEERING STEM.....	K-04
BATTERY.....	F-02	CRANKCASE.....	B-06	FRONT BRAKE HOSE...	K-10	HANDLE LEVER.....	H-16	OIL PAN - OIL PUMP..	B-10	REAR WHEEL.....	L-04	TAIL LAMP.....	F-10
CAN CHAIN.....	C-04	CRANKSHAFT.....	B-12	FRONT CALIPERS.....	K-08	HANDLE SWITCH.....	F-13	OPTIONAL.....	L-13	SEAT.....	J-05	TRANSMISSION.....	E-04
CAN SHAFT - VALVE..	C-02	CYLINDER HEAD COVER	B-02	FRONT DAMPER.....	K-02	HANDLEBAR.....	H-14	RADIATOR HOSE.....	D-07	SIGNAL GENERATOR...	E-15	TURN SIGNAL LAMP...	F-09
CARBURETOR FITTINGS	C-09	CYLINDER HEAD.....	B-03	FRONT FENDER.....	H-13	HEADLAMP.....	F-07	RADIATOR.....	D-04	SPEEDOMETER.....	F-04	WATER PUMP.....	D-05
CARBURETOR.....	C-05	CYLINDER.....	B-05	FRONT MASTER CYLIND	X-12	INSTALLATION PARTS..	I-08	REAR CALIPER.....	L-09	STAND.....	G-04	WIRING HARNESS.....	F-11
CLUTCH MASTER CYLIN	K-14	ELECTRICAL.....	F-03	FRONT WHEEL.....	K-06	INSTALLATION PARTS..	J-02	REAR CUSHION LEVER..	L-04	STARTER CLUTCH.....	B-14		
CLUTCH.....	E-02	FOOTREST.....	G-05	FUEL COCK.....	G-14	LABEL.....	J-04	REAR FENDER.....	I-02	STARTING MOTOR.....	E-10		

FIG. 62A



L 12

FIG. 62A(L-12) REAR MASTER CYLINDER (MODEL S/T/V/W)

REF. NO.	PART NO.	DESCRIPTION	Q'TY	REMARKS
1	69600-17E00	CYLINDER ASSY. REAR MASTER	1	
2	69600-04820	. PISTON / CAP SET	1	
3	69691-00A00	. . BOOT	1	
4	69692-27A30	. YOKE	1	
5	69670-17E0C	. ROD. PUSH	1	
6	69693-05A00	. NUT	2	
7	69672-05A00	. CONNECTOR	1	
8	69686-34200	. O RING	1	
9	02112-74123	. SCREW	1	
10	09106-08118	BOLT (8X20)	2	
11	69740-24A01	TANK ASSY. REAR RESERVOIR	1	
12	59667-04700	. DIAPHRAGM	1	
13	59669-05D00	. CAP	1	
14	69689-04A00	. SCREW	2	
15	01550-08163	BOLT	1	
16	69731-17E00	HOSE, RESERVOIR TANK	1	
17	09401-13417	CLAMP, UPPER	1	
18	09401-13417	CLAMP, LOWER	1	
19	69750-46E00	PLATE, RESERVOIR TANK	1	
20	01550-08163	BOLT, PLATE	1	
21	69480-46E10	HOSE, REAR BRAKE	1	
22	09360-10039	BOLT (10X1.00X22)	2	
23	09161-10009	WASHER (10X15X1.5)	4	
24	09200-06037	PIN	1	
25	08322-01063	WASHER	1	
26	04111-20158	PIN, COTTER	1	
27	09403-16307	GUIDE, RESERVOIR TANK HOSE	1	

GSX-R1100W E28

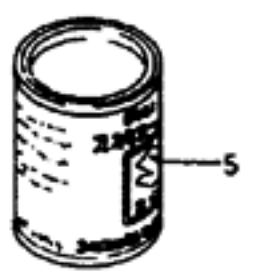
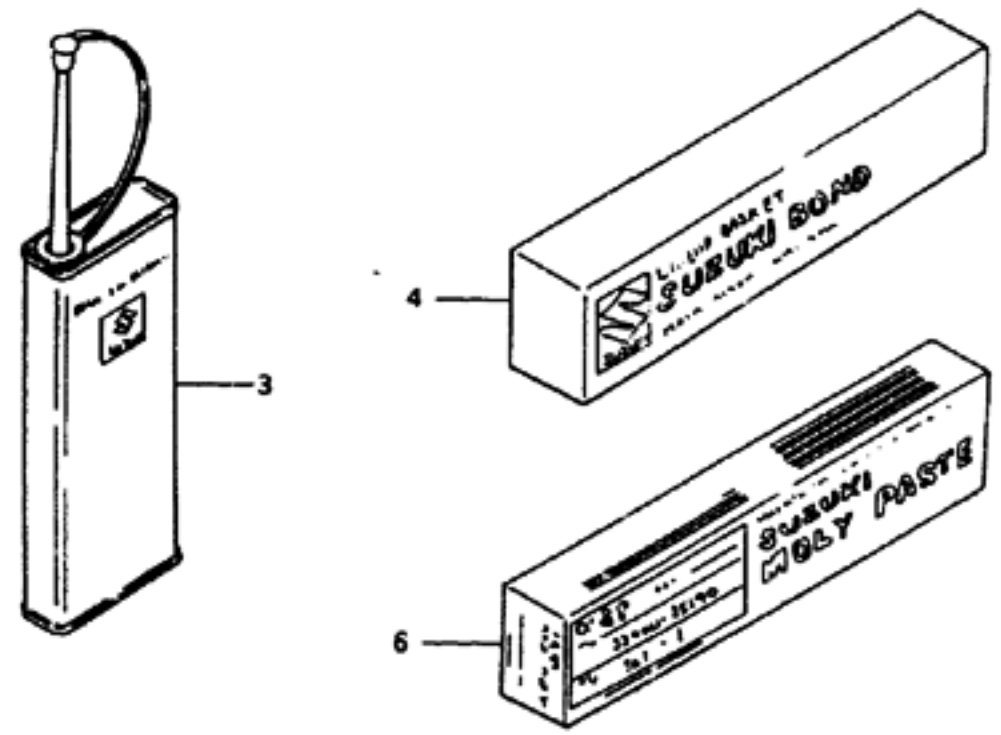
131

AIR CLEANER.....	C-11	COILING BODY.....	I-04	FRAME COVER.....	H-02	FUEL TANK.....	G-09	MUFFLER.....	D-02	REAR MASTER CYLINDER	L-11	STEERING DAMPER.....	K-05
ALTERNATOR.....	E-11	CRANKCASE COVER.....	B-09	FRAME.....	G-02	GEAR SHIFTING.....	E-08	OIL COOLER.....	D-04	REAR SWINGING ARM..	L-02	STEERING STEN.....	K-04
BATTERY.....	F-02	CRANKCASE.....	B-06	FRONT BRAKE HOSE...	K-18	HANDLE LEVER.....	H-16	OIL PAN - OIL PUMP..	B-10	REAR WHEEL.....	L-04	TAIL LAMP.....	F-10
CAN CHAIN.....	C-04	CRANKSHAFT.....	B-12	FRONT CALIPERS.....	K-08	HANDLE SWITCH.....	F-13	OPTIONAL.....	L-13	SEAT.....	J-05	TRANSMISSION.....	E-04
CAN SHAFT - VALVE..	C-02	CYLINDER HEAD COVER	B-02	FRONT DAMPER.....	K-02	HANDLEBAR.....	H-14	RADIATOR HOSE.....	D-07	SIGNAL GENERATOR...	E-15	TURNSIGNAL LAMP....	F-09
CARBURETOR FITTINGS	C-09	CYLINDER HEAD.....	B-03	FRONT FENDER.....	H-13	HEADLAMP.....	F-07	RADIATOR.....	D-06	SPEEDOMETER.....	F-04	WATER PUMP.....	D-05
CARBURETOR.....	C-05	ELECTRICAL.....	F-03	FRONT MASTER CYLIND	K-12	INSTALLATION PARTS..	I-08	REAR CALIPER.....	L-09	STAND.....	G-04	WIRING HARNESS.....	F-11
CLUTCH MASTER CYLIN	K-14	FOOTREST.....	G-05	FRONT WHEEL.....	K-06	INSTALLATION PARTS..	J-02	REAR CUSHION LEVER..	L-04	STARTER CLUTCH.....	B-14		
CLUTCH.....	E-02			FUEL COCK.....	G-14	LABEL.....	J-04	REAR FENDER.....	I-02	STARTING MOTOR.....	E-19		

FIG.63

L 13

FIG. 63 (L-13) OPTIONAL



REF. NO.	PART NO.	DESCRIPTION	Q'TY	REMARKS
1	99000-25110	SUZUKI PBC GREASE	1 20G	
2-1	99104-32020	THREAD LOCK SUPER (1333)	1 50G	
2-2	99104-32030	THREAD LOCK SUPER (1363A)	1 50G	
2-3	99000-32050	THREAD LOCK SUPER (1342)	1 50G	
2-4	99000-32100	THREAD LOCK SUPER (1305)	1 50G	
2-5	99000-32130	THREAD LOCK SUPER (1360)	1 50G	
3	99000-32040	THREAD LOCK CEMENT	1 200G	
4	99000-31140	SUZUKI BOND (1207B)	1 100G	
5	99000-25030	SUZUKI SUPER GREASE	1 150G	
6	99000-25140	SUZUKI MOLY PASTE	1 50G	

GSX-R1100W E28

AIR CLEANER.....	C-11	COMING BODY.....	I-04	FRAME COVER.....	H-02	FUEL TANK.....	G-09	MUFFLER.....	D-02	REAR MASTER CYLINDE	L-11	STEERING DAMPER....	K-05
ALTERNATOR.....	E-11	CRANKCASE COVER...	B-09	FRAME.....	C-02	GEAR SHIFTING.....	E-08	OIL COOLER.....	D-04	REAR SWINGING ARM..	L-02	STEERING STEN.....	K-04
BATTERY.....	F-02	CRANKCASE.....	B-04	FRONT BRAKE HOSE...	K-10	HANDLE LEVER.....	H-16	OIL PAN - OIL PUMP..	B-10	REAR WHEEL.....	L-06	TAIL LAMP.....	F-10
CAM CHAIN.....	C-04	CRANKSHAFT.....	B-12	FRONT CALIPERS.....	K-08	HANDLE SWITCH.....	F-13	OPTIONAL.....	L-13	SEAT.....	J-05	TRANSMISSION.....	E-04
CAM SHAFT - VALVE..	C-02	CYLINDER HEAD COVER	B-02	FRONT DAMPER.....	K-02	HANDLEBAR.....	H-14	RADIATOR HOSE.....	D-07	SIGNAL GENERATOR...	E-15	TURN SIGNAL LAMP...	F-09
CARBURETOR FITTINGS	C-09	CYLINDER HEAD.....	B-03	FRONT FENDER.....	H-13	HEADLAMP.....	F-07	RADIATOR.....	D-15	SPEEDOMETER.....	F-04	WATER PUMP.....	D-05
CARBURETOR.....	C-05	CYLINDER.....	B-05	FRONT MASTER CYLIND	K-12	INSTALLATION PARTS..	I-00	REAR CALIPER.....	L-09	STAND.....	G-04	WIRING HARNESS.....	F-11
CLUTCH MASTER CYLIN	K-14	ELECTRICAL.....	F-03	FRONT WHEEL.....	K-06	INSTALLATION PARTS..	J-02	REAR CUSHION LEVER..	L-04	STARTER CLUTCH.....	B-14		
CLUTCH.....	E-02	FOOTREST.....	G-05	FUEL COCK.....	G-14	LABEL.....	J-04	REAR FENDER.....	I-02	STARTING MOTOR.....	E-10		

PART NO.	ADDRESS NO.	PART NO.	ADDRESS NO.	PART NO.	ADDRESS NO.
31585-85251	E-13	33120-17E20	E-15		F-6
31586-17E00	E-11	33410-17E00	F-3	34198-17E00	F-4
	E-13	33410-46E00	F-3		F-6
31587-85250	E-11	33419-17E00	F-3	34220-46E10	F-4
	E-13	33420-17E00	F-3	34220-46E11	F-6
31611-17E00	E-11	33510-17E00	F-3	34249-17E00	F-4
	E-13	33510-17E10	F-3		F-6
31612-06800	E-11	33510-17E11	F-3	34249-17E10	F-4
	E-13	33541-20C00	F-3	34383-09400	F-4
31612-48800	F-11	33542-38800	F-3		F-6
31613-27410	E-13	33543-17E00	F-3	34420-17E00	F-4
	E-11	33543-17E01	F-3		F-6
	E-13	33610-07D10	F-2	34810-40C01	G-14
31615-48800	E-11	33610-17E10	F-2	34825-40C00	G-14
	E-13	33624-01D10	F-2	34850-05A10	D-8
31613-82610	E-11	33624-38400	F-2	34850-50A00	D-8
	E-13	33624-43500	F-2		D-10
31614-17E00	E-11	33651-37000	F-2	34910-17E01	F-5
	E-13	33690-17E00	F-2	34910-24D10	F-6
31621-27A00	E-11	33819-46E00	F-3	34938-17E10	K-4
31656-48800	E-13	33810-46E01	F-3	34938-17E30	F-6
	E-11	33820-46E00	F-2	34938-46E00	F-5
	E-13	33820-46E01	F-2	34938-46E10	F-6
31687-17E00	E-11	33860-46E00	F-2	34939-45000	F-5
	E-13	34111-46E10	F-4		F-6
31688-27A00	E-11		F-6	34950-46E10	F-4
	E-13	34120-46E10	F-4	34955-17E00	F-6
31692-17E00	E-11	34120-46E11	F-6	34955-29850	F-4
31710-17E02	E-11	34124-17E00	F-4	34960-46E10	F-4
31710-17E30	E-13		F-6		F-6
31780-27X50	E-13	34131-19800	F-6	34961-17E01	F-4
31780-48800	E-11	34131-33450	F-4		F-6
31800-07D00	F-3		F-6	34981-13A00	F-4
31841-07D00	F-3	34132-17E00	F-4	35100-17E00-999	F-7
31861-17E20	F-12		F-6	35100-18E00-999	F-8
31892-07D00	F-3	34149-17E00	F-4	35173-18E00	F-8
32500-27A00	E-11	34149-19D00	F-6	35173-41C00	F-7
	E-13	34150-17E00	F-4	35250-33C10	F-7
32900-46E00	E-15	34150-17E30	F-6	35601-01D10	F-9
32900-46E40	E-15	34170-46E10	F-4	35601-17C41	F-9
32900-46E50	E-15	34170-46E30	F-6	35601-29E10	F-9
32931-17E00	E-15	34176-17E10	F-4	35601-29E30	F-9
32980-40C01	E-15	34176-46E00	F-4	35603-21E00	F-9
33110-17E00	E-15	34181-17E00	F-4	35612-17C20	F-9
33120-17E00	E-15	34186-17E00	F-4	35613-27A00	F-9

GSX-R1100W E28

5

M-05

3

PART NO.	ADDRESS NO.	PART NO.	ADDRESS NO.	PART NO.	ADDRESS NO.
35623-27A00	F-9	37100-33D00	F-11	41940-17E00	G-3
35627-27A02	F-9	37100-46E20	F-12	41950-17E00	G-3
35652-17C20	F-9	37100-46E21	F-12	41961-46E20	G-3
35674-27A01	F-9	37146-26D10	F-11	41971-46E20	G-3
35695-17C00	F-9	37146-46E00	F-12	42100-17C00	G-4
35710-17E30	F-10	37200-17E31	F-13	42310-46E00	G-4
35718-17E00	F-10	37200-17E40	F-13	42310-46E01	G-4
35725-40511	F-9	37200-17E41	F-13	42310-46E10	G-4
35765-48821	F-10	37400-17E31	F-13	42330-46E00	G-4
35927-46E30	F-10	37560-38A00	F-13	43110-46E00	G-4
35950-43431	F-7	37564-26E00	F-13	43110-46E01	G-4
	F-8	37720-48800	E-9	43111-46E10	G-4
35956-17D00	F-7	37730-31E00	E-9	43130-24A00	K-6
	F-8	37730-51E01	E-9		L-7
35957-17D00	F-7	37740-24A00	F-11	43130-24A11	K-6
35978-00A21	F-8		F-12		K-7
	F-10	37820-33D00	B-11		L-7
35978-24D60	F-10	37840-26X50	F-12		L-8
35974-18D10	F-10	37840-32C01	F-11	43250-33C00	F-11
36110-17E00	F-7	38502-17E00	F-11		F-12
36118-41C00	F-7	38502-17E12	F-12	43261-17C00	G-4
36300-46820	F-4	38610-26E00	F-9	43511-48C00	G-5
	F-6	38610-45D01	F-9		G-7
36386-17E00	F-4	38740-24B10	F-11	43511-46E00	G-5
	F-6	38740-24X50	F-12	43511-46E10	G-7
36386-17E80	F-4			43521-40C00	G-5
36610-46E10	F-11				G-7
36610-46E12	F-11			43522-46E00	G-5
36610-46E20	F-12	40000		43522-46E10	G-7
36620-17E00	F-12			43529-17B00	G-2
36620-17E10	F-11	41100-46820	G-2	43530-27E00	G-7
36680-46E00	F-12	41100-46830	G-2	43530-46E01	G-5
36680-46E10	F-12	41100-46840	G-2	43532-17E00	G-5
36687-17E00	F-11	41200-46E00	G-2	43534-46E00	G-5
36687-17E10	F-11	41200-46E20	G-2		G-7
36851-17E10	F-12	41540-17E00	G-3	43535-46E00	G-5
36851-46E00	F-11	41540-17E50	G-3		G-7
36852-19D00	F-12	41540-17E61	G-3	43540-46E01	G-5
36852-46E20	F-11	41550-49200	G-3	43540-46E10	G-7
36852-46E10	F-12	41550-49201	G-3	43550-40C11	G-6
36920-02200	F-12	41560-17E00	G-3		G-8
	G-3	41560-17E50	G-3	43550-46E00	G-5
36920-10800	F-11	41911-17E00	G-2		G-7
	F-12	41921-17E00	G-2	43560-46E00	G-5
37100-26D02	F-11	41931-17E00	G-2		G-7

GSX-R1100W E28

6

M-05

PART NO.	ADDRESS NO.	PART NO.	ADDRESS NO.	PART NO.	ADDRESS NO.
09320-08018	H-4 H-6 H-8 H-10	09352-50903-600 09352-70103-008	C-10 B-10 B-11 B-12 B-13	09402-30502 09402-32511 09402-33502	D-7 D-9 D-5
09320-08051	F-7			09402-38511	D-7 D-5
09320-09009	F-8 G-10 G-11 G-12 G-13	09352-70103-600 09354-50103-600 09340-10017 09340-10033	G-14 B-4 K-14 L-11 K-10	09402-43501 09402-50511 09402-52208 09402-56208	D-9 L-4 L-5 B-4 B-4
09320-09016	I-9 J-3 H-2 H-3 H-4	09360-10038 09360-10039	K-14 K-10 K-11 K-11 K-14	09402-64203 09402-64208 09402-68208 09403-16307	C-11 C-11 C-11 L-11 L-12
	H-5 H-6 H-7 H-8 H-9	09360-10040	K-15 L-11 L-12 K-10 K-11	09404-06402 09404-06404 09404-06413 09404-06426	E-9 E-9 F-3 F-11 C-12
09320-09034	H-10 H-11 I-8 J-2 F-7	09360-16002 09380-28008 09381-20004 09381-84002	K-14 E-4 B-13 E-2	09404-06429 09404-06431	E-9 F-11 E-9 F-6 E-9
09320-09041 09320-10015 09320-10038	F-4 D-4 G-10 G-11 G-12	09390-52003 09390-62012 09390-70001	E-4 E-12 E-14 E-6 E-7	09404-06433	F-3 F-12 C-12 E-9 F-12
09320-12031 09320-12053 09320-12062	G-13 J-6 D-6 D-2 D-3	09400-16302 09401-08407 09401-08411 09401-10201 09401-10403	L-11 D-8 D-10 B-14 B-14	09404-06435 09404-08207 09404-08413 09404-10205 09407-11401	F-12 L-5 L-4 F-11 F-12
09320-14017	G-10 G-11 G-12 G-13	09401-11101 09401-13417 09401-16401	C-11 C-11 C-11	09407-11402 09407-14403	F-11 F-12 F-11 F-12
09321-06026	F-10		C-12	09407-18402	D-8
09321-10011 09352-50823-600	J-5 G-9 G-11 G-12 G-13	09401-26404 09402-15502 09402-25502 09402-28511	D-5 D-9 L-11 D-7 D-9	09407-18403	L-4 D-10 F-11 F-12 J-5

GSX-R1100W E28

PART NO.	ADDRESS NO.	PART NO.	ADDRESS NO.	PART NO.	ADDRESS NO.
09407-18403 09407-22404	L-5 D-4 D-8 D-9 D-4	09482-80460 09482-80461 09491-23017 09491-24013 09491-24016	B-3 B-7 C C-5 C-7		
09407-25401	D-4				
	D-9 F-11 F-12 H-14 I-2	09491-25010 09491-25011 09492-30010 09492-40014 09493-24077	C-5 C-5 C-7 C-5 C-6		
09409-06307	I-2				
09409-06322 09409-06322-5PK 09440-04003 09440-04010 09440-05003	I-2 I-3 E-8 E-9 B-6	09493-24010 09493-26007 09493-28012	C-8 B-7 B-7 B-8 B-7		
	G-8 G-14 G-14 F-11 F-12	09493-80008 09494-00800 09494-00851 09494-00857 09800-20857	B-7 C-5 C-7 C-5 I-2		
09440-13038 09440-13047 09443-06012	G-8 G-14 G-14 F-11 F-12				
09443-13018 09443-14058 09443-19011 09444-20003 09448-18022	G-4 G-4 G-4 E-8 G-7	09800-21008 09800-21035 09816-00103	I-2 I-3 I-2 J-6		
09448-19020	B-5 G-7				
09462-08015 09462-08034 09471-12045	F-2 G-3 F-9				
09471-12060 09471-12077 09471-12081	F-7 F-8 F-4 F-6 F-7				
09471-12103 09471-12108 09471-12128	F-4 F-6 F-4 F-6 F-10				
09481-30201 09482-00456 09482-00457 09482-00458 09482-00459	F-3 B-3 B-3 B-3 B-3				

GSX-R1100W E28