

PREFACE

When it becomes necessary to replace parts on SUZUKI MOTORCYCLES, always use SUZUKI GENUINE PARTS which have passed a strict inspection which guarantees quality and performance.

This parts catalogue covers the list of all service parts for SUZUKI GSF1200K1, GSF1200SK1, GSF1200K2, GSF1200SK2.

INSTRUCTIONS FOR QUOTING THE CATALOGUE

1. DIMENSIONS

Dimensions of the parts in this catalogue are indicated in unit millimeters.

2. ABBREVIATIONS

Abbreviations used in this catalogue are as follows:

- AR : As required
- ASSY : Assembly
- E. No. : Engine number
- F. No. : Frame number
- d : Diameter of material
- ID : Inside diameter
- OD : Outside diameter
- L : Length
- LH : Left hand side
- RH : Right hand side
- ~100045 : Up to F.No.100045
- 100046~ : From F.No.100046
- 12 x 34 x 5.6..... Figures in the description column  
| | | show the dimensions of parts.  
ID OD T(or W,L)
- NT : Number of teeth
- OPT : Optional
- OS : Over size
- STD : Standard
- T : Thickness
- US : Under size
- W : Width
- P28 : Canada specification
- P3 : Federal specification

3. INNER PARTS OF ASSEMBLY

Part name with a dot (.) in front as shown in the description column indicates the component of the assembly also available individually.

4. MODIFICATION NOTICE

A parts bulletin will be sent to you on all occasions when changes in parts occur, including interchangeable modifications between new parts and old ones.

5. NOTE

- 5-1. There are some different parts from those of production models among spare parts for the administrative reasons and common use of them with other models.
- 5-2. In respect of rubber hoses and vinyl tubes, please be sure to use them by cutting off according to the length mentioned on parts catalogue or what is actually required on the vehicle.
- 5-3. Note that the drawings on the illustration page are for ready reference of spare parts number, not to be used as an assembly manual. When assembling, use "SUZUKI SERVICE MANUAL".

6. SERIAL FRAME NUMBER

GSF1200K1/SK1 : JS1GV77A 12100001~  
GSF1200K2/SK2 : JS1GV77A 22100001~

AIR CLEANER.....	C-07	COWLING BODY.....	I-02	FRAME COVER.....	H-03	GASKET SET.....	B-02	OIL COOLER.....	C-08	SEAT TAIL COVER.....	J-03	TRANSMISSION.....	D-04
ALTERNATOR.....	E-03	COWLING INSTALLATIO	I-04	FRAME.....	G-02	GEAR SHIFTING.....	D-06	OIL PAN.....	B-09	SEAT.....	J-02	TURN SIGNAL LAMP...	F-04
BATTERY.....	E-06	CRANKCASE COVER...	B-08	FRONT BRAKE HOSE...	K-04	HANDLE LEVER.....	H-10	OIL PUMP.....	B-10	SECOND AIR.....	C-10	WIRING HARNESS.....	F-07
CAM CHAIN.....	C-03	CRANKCASE.....	B-06	FRONT CALIPERS.....	K-03	HANDLE SWITCH.....	F-09	OPTIONAL.....	L-07	SIGNAL GENERATOR...	E-04		
CAM SHAFT / VALVE...	C-02	CRANKSHAFT.....	B-11	FRONT DAMPER.....	J-07	HANDLEBAR.....	H-09	REAR CALIPER.....	L-05	SPEEDOMETER.....	E-07		
CANISTER.....	H-02	CYLINDER HEAD COVER	B-03	FRONT FENDER.....	H-07	HEADLAMP HOUSING...	H-08	REAR CUSHION LEVER	L-03	STAND.....	G-04		
CARBURETOR FITTING	C-06	CYLINDER HEAD.....	B-04	FRONT MASTER CYLIND	K-05	HEADLAMP.....	F-02	REAR FENDER.....	H-11	STARTER CLUTCH.....	B-12		
CARBURETOR.....	C-04	CYLINDER.....	B-05	FRONT WHEEL.....	K-02	LABEL.....	I-05	REAR MASTER CYLIND	L-06	STARTING MOTOR.....	E-02		
CLUTCH MASTER CYLIN	K-07	ELECTRICAL.....	E-05	FUEL COCK.....	G-08	MANUAL BOX.....	H-05	REAR SWINGING ARM..	L-02	STEERING STEM.....	J-08		
CLUTCH.....	D-02	FOOTREST.....	G-05	FUEL TANK.....	G-07	MUFFLER.....	C-08	REAR WHEEL.....	L-04	TAIL LAMP.....	F-06		

**COLOR CODE CHART**

CODE	COLOR
BH4	T15,W05
DL2	0AT,YC6
DL3	YN9,YD8
DL4	0AT,24G,33J
DL5	0AT,24G,Y7H
DL6	0AT,1ZZ,YC6
DL7	YN7,0RN,YD8
GW2	0AT,17U,33J
GW3	YN7,24G,YD8
GW5	YN7,YD8
HG8	0AT,YL9,Y7H
M2R	0AT,33J
M2S	0AT,Y7H
T15	BLACK (LEATHER)
W05	BLACK (LEATHER)
YC6	CANDY VELVETY RED
YD8	SONIC SILVER METALLIC
YJX	SUZUKI DEEP BLUE (1LF)
YL9	NORSE BLUE METALLIC
YN7	HIRE LINE CHROME BLACK NO.2
YN9	LT50 BLUE GRADATION (TAPE)
YUX	SONIC SILVER METALLIC (YD8)
YWX	DARK SPACE BLUE
Y7H	DARK SPACE BLUE
Y7L	SATURN BLACK METALLIC
0AT	SILVER
0RN	ASPHALT SILVER(TAPE)
00B	MARBLE RIO ORANGE
019	BLACK
1ZZ	URBAN MIDIAM GRAY METALLIC
13L	BRIGHT SILVER METALLIC
17U	GRAY METALLIC
24G	LEGATO GOLD METALLIC
291	BLACK (SEMI-GLOSS)
33J	PEARL NOVELTY BLACK
35W	CHARCOAL GRAY METALLIC NO.2
5ES	OFF BLACK
5PK	BLACK

**MILLIMETER → INCH CONVERSION CHART  
TABLEAU DE CONVERSION DE MILLIMETRES → POUCES**

	0	1	2	3	4	5	6	7	8	9
00	.000	.039	.079	.118	.157	.197	.238	.278	.315	.354
10	.394	.433	.472	.512	.551	.591	.630	.669	.709	.748
20	.787	.827	.866	.906	.945	.984	1.024	1.063	1.102	1.142
30	1.181	1.220	1.260	1.299	1.339	1.378	1.417	1.457	1.496	1.535
40	1.575	1.614	1.654	1.693	1.732	1.772	1.811	1.850	1.890	1.929
50	1.969	2.008	2.047	2.087	2.126	2.165	2.205	2.244	2.283	2.323
60	2.362	2.402	2.441	2.480	2.520	2.559	2.598	2.638	2.677	2.717
70	2.756	2.795	2.835	2.874	2.913	2.953	2.992	3.031	3.071	3.110
80	3.150	3.189	3.228	3.268	3.307	3.346	3.386	3.425	3.465	3.504
90	3.543	3.583	3.622	3.661	3.701	3.740	3.780	3.819	3.858	3.898

How to read  
Mode de lecture

	0	1	2	3	4
00	...	...	...	...	...
10	...	...	...	...	...
20	...	...	0.906	...	...
30	...	...	...	...	...

23 millimeters equal 0.906 inch  
23 millimètres égalent 0.906 pouce

Contents are subject to change without notice or obligation.

Les matières traitées sont susceptibles d'être modifiées sans préavis obligation de notre part.

AIR CLEANER.....	C-07	COWLING BODY.....	I-02	FRAME COVER.....	H-03	GASKET SET.....	B-02	OIL COOLER.....	C-08	SEAT TAIL COVER.....	J-03	TRANSMISSION.....	D-04
ALTERNATOR.....	E-03	COWLING INSTALLATIO	I-04	FRAME.....	G-02	GEAR SHIFTING.....	D-06	OIL PAN.....	B-09	SEAT.....	J-02	TURN SIGNAL LAMP...	F-04
BATTERY.....	E-08	CRANKCASE COVER.....	B-08	FRONT BRAKE HOSE.....	K-04	HANDLE LEVER.....	H-10	OIL PUMP.....	B-10	SECOND AIR.....	C-10	WIRING HARNESS.....	F-07
CAM CHAIN.....	C-03	CRANKCASE.....	B-06	FRONT CALIPERS.....	K-03	HANDLE SWITCH.....	F-09	OPTIONAL.....	L-07	SIGNAL GENERATOR...	E-04		
CAM SHAFT / VALVE.....	C-02	CRANKSHAFT.....	B-11	FRONT DAMPER.....	J-07	HANDLEBAR.....	H-09	REAR CALIPER.....	L-05	SPEEDOMETER.....	E-07		
CANISTER.....	H-02	CYLINDER HEAD COVER	B-03	FRONT FENDER.....	H-07	HEADLAMP HOUSING...	H-06	REAR CUSHION LEVER.	L-03	STAND.....	G-04		
CARBURETOR FITTING.	C-06	CYLINDER HEAD.....	B-04	FRONT MASTER CYLIND	K-05	HEADLAMP.....	F-02	REAR FENDER.....	H-11	STARTER CLUTCH.....	B-12		
CARBURETOR.....	C-04	CYLINDER.....	B-05	FRONT WHEEL.....	K-02	LABEL.....	I-05	REAR MASTER CYLINDE	L-06	STARTING MOTOR.....	E-02		
CLUTCH MASTER CYLIN	K-07	ELECTRICAL.....	E-05	FUEL COCK.....	G-09	MANUAL BOX.....	H-05	REAR SWINGING ARM..	L-02	STEERING STEM.....	J-08		
CLUTCH.....	D-02	FOOTREST.....	G-05	FUEL TANK.....	G-07	MUFFLER.....	C-06	REAR WHEEL.....	L-04	TAIL LAMP.....	F-06		



**SUZUKI. 2001 SUZUKI SERVICE/OWNERS MANUAL  
PART NUMBER LISTING  
SERVICE PUBLICATIONS #1-REVISED 2/01**

- \* USE THIS PART NUMBER LISTING TO ORDER SUZUKI SET-UP MANUALS, SERVICE MANUALS SERVICE MANUAL SUPPLEMENTS, AND OWNERS MANUALS.
- \* PART NUMBER PREFIX SHOWN AT THE TOP OF EACH COLUMN INDICATES THE TYPE OF MANUAL.  
(EXAMPLE: 99500 = SERVICE MANUAL, 99011 = OWNERS MANUAL, ETC.....)
- \* CHECK FOOT-NOTES TO SEE IF A BINDER OR SUPPLEMENT IS REQUIRED FOR SERVICE MANUALS. FOOT-NOTES ALSO INDICATE OWNERS MANUAL GUIDELINES.
- \* PRICES FOR ALL MANUALS ARE LISTED IN THE MOTORCYCLE PARTS PRICE GUIDE.

AIR CLEANER.....	C-07	COWLING BODY.....	I-02	FRAME COVER.....	H-03	GASKET SET.....	B-02	OIL COOLER.....	C-06	SEAT TAIL COVER.....	J-03	TRANSMISSION.....	D-04
ALTERNATOR.....	E-03	COWLING INSTALLATIO	I-04	FRAME.....	G-02	GEAR SHIFTING.....	D-06	OIL PAN.....	B-09	SEAT.....	J-02	TURN SIGNAL LAMP.....	F-04
BATTERY.....	E-06	CRANKCASE COVER.....	B-08	FRONT BRAKE HOSE.....	K-04	HANDLE LEVER.....	H-10	OIL PUMP.....	B-10	SECOND AIR.....	C-10	WIRING HARNESS.....	F-07
CAM CHAIN.....	C-03	CRANKCASE.....	B-06	FRONT CALIPERS.....	K-03	HANDLE SWITCH.....	F-09	OPTIONAL.....	L-07	SIGNAL GENERATOR.....	E-04		
CAM SHAFT / VALVE.....	C-02	CRANKSHAFT.....	B-11	FRONT DAMPER.....	J-07	HANDLEBAR.....	H-09	REAR CALIPER.....	L-05	SPEEDOMETER.....	E-07		
CANISTER.....	H-02	CYLINDER HEAD COVER	B-03	FRONT FENDER.....	H-07	HEADLAMP HOUSING.....	H-06	REAR CUSHION LEVER.....	L-03	STAND.....	G-04		
CARBURETOR FITTING.....	C-06	CYLINDER HEAD.....	B-04	FRONT MASTER CYLIND	K-05	HEADLAMP.....	F-02	REAR FENDER.....	H-11	STARTER CLUTCH.....	B-12		
CARBURETOR.....	C-04	CYLINDER.....	B-05	FRONT WHEEL.....	K-02	LABEL.....	I-05	REAR MASTER CYLIND	L-06	STARTING MOTOR.....	E-02		
CLUTCH MASTER CYLIN	K-07	ELECTRICAL.....	E-05	FUEL COCK.....	G-09	MANUAL BOX.....	H-05	REAR SWINGING ARM.....	L-02	STEERING STEM.....	J-08		
CLUTCH.....	D-02	FOOTREST.....	G-05	FUEL TANK.....	G-07	MUFFLER.....	C-06	REAR WHEEL.....	L-04	TAIL LAMP.....	F-06		

## 2001 SERVICE PUBLICATIONS

Model / Year K1 / 2001	Set-Up / PDI Guide	Service Manual	Service Manual Supplement	Owner's Manual	Owner's Manual Supplement	Owner's Maintenance Manual
JR50K1	99505-J1100-03E	99500-20180-01E <sup>4</sup>	N/A	99011-04447-03A	N/A	N/A
JR80K1	99505-01091-03E	99500-20200-01E <sup>4</sup>	N/A	99011-03460-03A	N/A	N/A
DR200SEK1	99505-01040-03E	99500-41102-03E <sup>4</sup>	N/A	99011-42A53-03A	N/A	N/A
DR-Z250K1	99505-01171-03E	99500-42150-03E <sup>4</sup>	N/A	99011-13E60-03A	N/A	N/A
DR-Z400K1	99505-01180-03E	99500-43021-03E <sup>4</sup>	N/A	99011-29F51-03A	N/A	N/A
DR-Z400EK1	99505-01180-03E	99500-43021-03E <sup>4</sup>	N/A	99011-29F51-03A	N/A	N/A
DR-Z400SK1	99505-01200-03E	99500-43030-03E <sup>4</sup>	N/A	99011-29F61-03A	N/A	N/A
DR650SEK1	99505-01030-03E	99500-46033-03E <sup>4</sup>	N/A	99011-32E55-03A	N/A	N/A
RM80K1	99505-01139-03E					99011-02B76-03A <sup>5</sup>
RM125K1	99505-01111-03E					99011-36F50-03A <sup>5</sup>
RM250K1	99505-01051-03E					99011-37F50-03A <sup>5</sup>
GS500K1	99505-01131-03E	99500-34069-03E <sup>4</sup>	N/A	99011-01062-03A	N/A	N/A
GSF600SK1	99505-01170-03E	99500-36100-03E <sup>4</sup>	N/A	99011-31F51-03A	N/A	N/A
GSF1200K1	99505-01011-03E	99500-39200-03E <sup>4</sup>	99501-39320-03E	99011-31F60-03A	N/A	N/A
GSF1200SK1	99505-01021-03E	99500-39200-03E <sup>4</sup>	N/A	99011-31F60-03A	N/A	N/A
GSX600FK1	99505-01158-03E	99500-35072-03E <sup>4</sup>	N/A	99011-19C63-03A	N/A	N/A
GSX750FK1	99505-01188-03E	99500-37103-03E <sup>4</sup>	N/A	99011-20C63-03A	N/A	N/A
SV650K1	99505-01249-03E	99500-36091-03E <sup>4</sup>	N/A	99011-20F52-03A	N/A	N/A
SV650SK1	99505-01101-03E	99500-36091-03E <sup>4</sup>	99501-36090-03E	99011-20F52-03A	N/A	N/A
TL1000SK1	99505-01148-03E	99500-39144-03E <sup>4</sup>	N/A	99011-02F55-03A	N/A	N/A
GSX1300RK1	99505-01289-03E	99500-39181-03E <sup>4</sup>	99501-39310-03E	99011-24F52-03A	N/A	N/A
GSX-R600K1	99505-01121-03E	99500-35080-03E <sup>4</sup>	N/A	99011-39F50-03A	N/A	N/A
GSX-R750K1	99505-01210-03E	99500-37111-03E <sup>4</sup>	N/A	99011-33F50-03A	N/A	N/A
GSX-R1000K1	99505-01151-03E	99500-39210-01E <sup>5</sup>	N/A	99011-40F50-03A	N/A	N/A
TL1000RK1	99505-01258-03E	99500-39170-03E <sup>4</sup>	N/A	99011-02F63-03A	N/A	N/A
GZ250K1	99505-01109-03E	99500-32101-03E <sup>4</sup>	N/A	99011-13F52-03A	N/A	N/A
LS650PK1	99505-01038-03E	99500-36081-03E <sup>4</sup>	N/A	99011-24C56-03A	N/A	N/A
VS800GLK1	99505-01010-03E	99500-38026-03E <sup>4</sup>	N/A	99011-39A60-03A	N/A	N/A
VS1400GLPK1	99505-01000-03E	99500-39152-03E <sup>4</sup>	N/A	99011-38B64-03A	N/A	N/A
VZ800K1	99505-01090-03E	99500-38033-03E <sup>4</sup>	N/A	99011-48E54-03A	N/A	N/A
VL800K1	99505-01161-03E	99500-38040-01E <sup>5</sup>	N/A	99011-41F50-03A	N/A	N/A
VL1500K1	99505-01178-03E	99500-39162-03E <sup>4</sup>	N/A	99011-10F53-03A	N/A	N/A
LT80K1	99505-01009-03E	99500-20191-01E <sup>5</sup>	N/A	99011-43F50-03A	N/A	N/A
LT-F180K1	99505-01129-03E	99500-41111-01E <sup>5</sup>	N/A	99011-02C71-03A	N/A	N/A
LT-F250K1	99505-01071-03E	99500-42142-01E <sup>5</sup>	N/A	99011-20B72-03A	N/A	N/A
LT-F250FK1	99505-01071-03E	99500-42142-01E <sup>5</sup>	N/A	99011-19B72-03A	N/A	N/A
LT-F300FK1	99505-01081-03E	99500-42122-01E <sup>5</sup>	N/A	99011-19B72-03A	N/A	N/A
LT-A500FK1	99505-01061-03E	99500-44032-01E <sup>5</sup>	N/A	99011-09F51-03A	N/A	N/A
LT-F500FK1	99505-01041-03E	99500-44023-01E <sup>5</sup>	N/A	99011-09F53-03A	N/A	N/A

(1) - SUPPLEMENT FOR THIS YEAR MODEL IS ALREADY INCLUDED IN THE LATEST VERSION OF THE SERVICE MANUAL, BUT MAY STILL BE AVAILABLE SEPARATELY. (2) - USE THIS OWNER'S MANUAL AS A GUIDE ONLY. (3) - USE THE PREFIX GIVEN INSTEAD OF THE ONE AT THE TOP OF THE COLUMN. (4) - MANUAL REQUIRES BINDER #99935-01841. (5) - MANUAL IS BOUND, DOES NOT REQUIRE A BINDER. MULTIPLE OR LARGER MANUALS CAN BE STORED TOGETHER IN BINDER #99935-01842.

AIR CLEANER.....	C-07	COWLING BODY.....	I-02	FRAME COVER.....	H-03	GASKET SET.....	B-02	OIL COOLER.....	C-09	SEAT TAIL COVER.....	J-03	TRANSMISSION.....	D-04
ALTERNATOR.....	E-03	COWLING INSTALLATIO.....	I-04	FRAME.....	G-02	GEAR SHIFTING.....	D-06	OIL PAN.....	B-09	SEAT.....	J-02	TURN SIGNAL LAMP.....	F-04
BATTERY.....	E-06	CRANKCASE COVER.....	B-08	FRONT BRAKE HOSE.....	K-04	HANDLE LEVER.....	H-10	OIL PUMP.....	B-10	SECOND AIR.....	C-10	WIRING HARNESS.....	F-07
CAM CHAIN.....	C-03	CRANKCASE.....	B-08	FRONT CALIPERS.....	K-03	HANDLE SWITCH.....	F-09	OPTIONAL.....	L-07	SIGNAL GENERATOR.....	E-04		
CAM SHAFT / VALVE.....	L-02	CRANKSHAFT.....	B-11	FRONT DAMPER.....	J-07	HANDLEBAR.....	H-09	REAR CALIPER.....	L-05	SPEEDOMETER.....	E-07		
CANISTER.....	H-02	CYLINDER HEAD COVER.....	B-03	FRONT FENDER.....	H-07	HEADLAMP HOUSING.....	H-06	REAR CUSHION LEVER.....	L-03	STAND.....	G-04		
CARBURETOR FITTING.....	C-06	CYLINDER HEAD.....	B-04	FRONT MASTER CYLIND.....	K-05	HEADLAMP.....	F-02	REAR FENDER.....	H-11	STARTER CLUTCH.....	B-12		
CARBURETOR.....	C-04	CYLINDER.....	B-05	FRONT WHEEL.....	K-02	LABEL.....	I-05	REAR MASTER CYLIND.....	L-06	STARTING MOTOR.....	E-02		
CLUTCH MASTER CYLIN.....	K-07	ELECTRICAL.....	E-05	FUEL COCK.....	G-09	MANUAL BOX.....	H-05	REAR SWINGING ARM.....	L-02	STEERING STEM.....	J-08		
CLUTCH.....	D-02	FOOTREST.....	G-06	FUEL TANK.....	G-07	MUFFLER.....	C-08	REAR WHEEL.....	L-04	TAIL LAMP.....	F-06		



# SUZUKI 2000 Motorcycle & ATV Service and Owner's Manual Listing

Model	Owner's Manual	Service Manual	S/M Supplement	Note
JR50Y	99011-04447-03A	99500-20180-01E	None	Bound manual
DS80Y	99011-03458-03A	99500-20172-03E	None	Bound manual
DR200SEY	99011-42A52-03A	99500-41102-03E	None	S/M needs binder 99935-01842
DR-Z400Y/EY	99011-29F50-03A	99500-43020-01E	None	Bound manual
DR-Z400SY	99011-29F00-03A	99500-43030-03E	None	S/M needs binder 99935-01842
DR650SEY	99011-32E54-03A	99500-46033-03E	None	S/M needs binder 99935-01842
RM80Y	99011-02B75-03A	Service Manual is included in Owner's Manual		Bound manual
RM125Y	99011-36E54-03A	Service Manual is included in Owner's Manual		Bound manual
RM250Y	99011-37E54-03A	Service Manual is included in Owner's Manual		Bound manual
GZ250Y	99011-13F51-03A	99500-32100-03E	None	S/M needs binder 99935-01842
GS500EY	99011-01D61-03A	99500-34069-03E	None	S/M needs binder 99935-01842
GSF600SY	99011-31F50-03A	99500-36100-03E	None	S/M needs binder 99935-01842
GSX600FY	99011-19C62-03A	99500-35071-03E	None	S/M needs binder 99935-01842
GSX-R600Y	99011-34E53-03A	99500-35062-03E	None	S/M needs binder 99935-01842
LS650PY	99011-24C55-03A	99500-36081-03E	None	S/M needs binder 99935-01842
SV650Y	99011-20F51-03A	99500-36090-03E	None	S/M needs binder 99935-01042
GSX750FY	99011-20C62-03A	99500-37101-03E	None	S/M needs binder 99935-01842
GSX-R750Y	99011-33F50-03A	99500-37110-03E	None	S/M needs binder 99935-01842
VS800GLY	99011-39A59-03A	99500-38025-03E	None	S/M needs binder 99935-01842
VZ800Y	99011-48E53-03A	99500-38032-03E	None	S/M needs binder 99935-01842
TL1000SY	99011-02F53-03A	99500-39141-03E	99501-39290-03E	S/M needs binder 99935-01842
TL1000RY	99011-02F62-03A	99500-39170-03E	None	S/M needs binder 99935-01842
GSF1200SY	99011-27E54-03A	99500-39134-03E	None	S/M needs binder 99935-01842
GSX1300RY	99011-24F51-03A	99500-39180-03E	99501-39300-03E	S/M needs binder 99935-01842
VS1400GLPY	99011-38B63-03A	99500-39151-03E	None	S/M needs binder 99935-01842
VL1500Y	99011-10F52-03A	99500-39162-03E	None	S/M needs binder 99935-01842
LT80Y	99011-40C64-03A	99500-20159-01E	None	Bound manual
LT-F160Y	99011-02C70-03A	99500-41099-01E	None	Bound manual
LT-F250Y	99011-20B71-03A	99500-42140-01E	99501-42180-01E	Bound manual
LT-F250FY	99011-19B71-03A	99500-42140-01E	99501-42180-01E	Bound manual
LT-F300FY	99011-19B71-03A	99500-42130-01E	99501-42190-01E	Bound manual
LT-F500FY	99011-09F52-03A	99500-44021-01E	None	Bound manual
LT-A500FY	99011-09F60-03A	99500-44030-01E	None	Bound manual

Your Suzuki dealer can order you manuals for other model year motorcycles and ATVs.  
Please contact your dealer and have him/her check the Service Publications Bulletin - #1 Manual Listing for ordering information.

AIR CLEANER.....	C-07	COWLING BODY.....	I-02	FRAME COVER.....	H-03	GASKET SET.....	B-02	OIL COOLER.....	C-09	SEAT TAIL COVER.....	J-03	TRANSMISSION.....	D-04
ALTERNATOR.....	E-03	COWLING INSTALLATIO	I-04	FRAME.....	G-02	GEAR SHIFTING.....	D-08	OIL PAN.....	B-09	SEAT.....	J-02	TURN SIGNAL LAMP.....	F-04
BATTERY.....	E-08	CRANKCASE COVER.....	B-08	FRONT BRAKE HOSE.....	K-04	HANDLE LEVER.....	H-10	OIL PUMP.....	B-10	SECOND AIR.....	C-10	WIRING HARNESS.....	F-07
CAM CHAIN.....	C-03	CRANKCASE.....	B-06	FRONT CALIPERS.....	K-03	HANDLE SWITCH.....	F-09	OPTIONAL.....	L-07	SIGNAL GENERATOR.....	E-04		
CAM SHAFT / VALVE.....	C-02	CRANKSHAFT.....	B-11	FRONT DAMPER.....	J-07	HANDLEBAR.....	H-09	REAR CALIPER.....	L-05	SPEEDOMETER.....	E-07		
CANISTER.....	H-02	CYLINDER HEAD COVER	B-03	FRONT FENDER.....	H-07	HEADLAMP HOUSING.....	H-06	REAR CUSHION LEVER	L-03	STAND.....	G-04		
CARBURETOR FITTING.....	C-06	CYLINDER HEAD.....	B-04	FRONT MASTER CYLIND	K-05	HEADLAMP.....	F-02	REAR FENDER.....	H-11	STARTER CLUTCH.....	B-12		
CARBURETOR.....	C-04	CYLINDER.....	B-05	FRONT WHEEL.....	K-02	LABEL.....	L-05	REAR MASTER CYLINDE	L-06	STARTING MOTOR.....	E-02		
CLUTCH MASTER CYLIN	K-07	ELECTRICAL.....	E-05	FUEL COCK.....	G-09	MANUAL BOX.....	H-05	REAR SWINGING ARM..	L-02	STEERING STEM.....	J-08		
CLUTCH.....	D-02	FOOTREST.....	G-05	FUEL TANK.....	G-07	MUFFLER.....	C-08	REAR WHEEL.....	L-04	TAIL LAMP.....	F-06		

MODEL/ YEAR X/1999	SET-UP MANUAL 99505-	SERVICE MANUAL 99500-	SERVICE MANUAL SUPPLEMENT 99501-	OWNERS MANUAL 99011-	OWNERS MANUAL SUPPLEMENT 99016-	OWNERS MAINTENANCE MANUAL 99011-
JR50X	01067-03E	20160-01E		04445-03A		02B74-03A 36E53-03A 37E53-03A
DS80X	01117-03E	20172-03E		03457-03A		
DR200SEX	01126-03E	41101-03E (4)		42A51-03A		
DR350X	01187-03E	43018-03E (4)		14D69-03A		
DR350SEX	01099-03E	43018-03E (4)		14D95-03A		
DR650SEX	01206-03E	46032-03E (4)		32E53-03A		
RM80X	01139-03E					
RM125X	01159-03E					
RM250X	01189-03E					
GZ250X	01109-03E	32100-03E (4)		13F50-03A		
GS500EX	01027-03E	34068-03E (4)		01D80-03A		
GSF800SX	01167-03E	35042-03E (4)		27E53-03A		
SV650X	01249-03E	38090-03E (4)		20F50-03A		
GSF1200SX	01297-03E	39133-03E (4)		27E53-03A		
LS650FX	01038-03E	38080-03E (4)		24C54-03A		
VS800GLPX	01106-03E	38023-03E (4)		39A58-03A		
VS1400GLPX	01047-03E	39150-03E (4)		39B62-03A		
VZ800GLX	01227-03E	38031-03E (4)		48E52-03A		
VL1500X	01178-03E	39160-03E (4)		10F51-03A		
GSX600FX	01158-03E	35070-03E (4)		19C61-03A		
GSX750FX	01188-03E	37100-03E (4)		20C61-03A		
GSX-R600X	01237-03E	35061-03E (4)		34E52-03A		
GSX-R750X	01098-03E	37082-03E (4)		33E53-03A		
GSX1300RX	01269-01E	29180-03E (4)		24F50-03A		
TL1000SX	01148-03E	39141-03E (4)	39280-03E	02F53-03A		
TL1000RX	01258-03E	39170-03E (4)		02F61-03A		
LT80X	01009-03E	20158-01E		40B62-03A		
LT-F160X	01129-03E	41098-01E		02C68-03A		
LT-F250X	01069-03E	42140-01E		20B70-03A		
LT-F250FX	01069-03E	42140-01E		19B70-03A		
LT-F300FX	01059-03E	42130-01E		19B70-03A		
LT-F500FX	01138-03E	44020-01E		09F51-03A		

(1) - SERVICE MANUAL SUPPLEMENT FOR THIS YEAR MODEL IS ALREADY INCLUDED IN THE LATEST VERSION OF THE SERVICE MANUAL, BUT IS STILL AVAILABLE SEPARATELY.  
(2) - USE THIS OWNER'S MANUAL AS A GUIDE ONLY. (3) - USE THE PREFIX GIVEN INSTEAD OF THE ONE AT THE TOP OF THE COLUMN. (4) - THIS MANUAL REQUIRES BINDER # 99935-01841. NOTE: ATV SERVICE MANUALS ARE BOUND AND DO NOT REQUIRE A BINDER, HOWEVER, SEVERAL CAN BE STORED TOGETHER IN BINDER #99935-01842.

MODEL/ YEAR W/98	SET-UP MANUAL 99505-	SERVICE MANUAL 99500-	SERVICE MANUAL SUPPLEMENT 99501-	OWNERS MANUAL 99011-	OWNERS MANUAL SUPPLEMENT 99016-	OWNERS MAINTENANCE MANUAL 99011-
JR50W	01067-03E	20160-01E		04445-03A		02B73-03A 36E52-03A 37E52-03A 05D59-03A
DS80W	01117-03E	20019-03E		03456-03A		
DR200SEW	01126-03E	41101-03E (4)		42A50-03A		
DR350W	01187-03E	43018-03E (4)	43070-03E	14D68-03A		
DR350SEW	01186-03E	43018-03E (4)	43070-03E	14D94-03A		
DR650SEW	01206-03E	46032-03E (4)		32E52-03A		
RM80W	01096-03E					
RM125W	01236-03E					
RM250W	01217-03E					
RMX250W	01256-03E					
GS500EW	01027-03E	34068-03E (4)		01D59-03A		
GSF600SW	01167-03E	35040-03E (4)		27E52-03A		
GSF1200SW	01147-03E	39132-03E (4)		27E52-03A		
LS650PW	01038-03E	38065-03E (4)		24C53-03A		
VS800GLPW	01106-03E	38022-03E (4)		39A57-03A		
VS1400GLPW	01047-03E	39079-03E (4)		38B61-03A		
VZ800GLW	01227-03E	38030-03E (4)		48E51-03A		
VL1500W	01178-03E	39160-03E (4)		10F5C-03A		
GSX600FW	01158-03E	35070-03E (4)		19C60-03A		
GSX750FW	01188-03E	37100-03E (4)		20C60-03A		
GSX-R600W	01237-03E	35060-03E (4)	35150-03E	34E51-03A		
GSX-R750W	01098-03E	37081-03E (4)	37200-03E	33E52-03A		
GSX-R1100WW	01235-03E	39113-03E (4)		48E55-03A		
TL1000SW	01148-03E	39140-03E (4)	39270-03E	02F52-03A		
TL1000RW	TBA	39170-03E (4)		02F60-03A		
LT80W	01044-03E	20158-01E		40B62-03A		
LT-F160W	01054-03E	41097-01E		02C68-03A		
LT-F250W	01066-03E	42097-01E		20B61-03A		
LT-4WDW	01007-03E	42058-01E		19B52-03A		
LT-F4WDXW	01076-03E	42058-01E		19B52-03A		
LT-F500FW	01138-03E	44020-01E		09F50-03A		

(1) - SERVICE MANUAL SUPPLEMENT FOR THIS YEAR MODEL IS ALREADY INCLUDED IN THE LATEST VERSION OF THE SERVICE MANUAL, BUT IT IS STILL AVAILABLE SEPARATELY.  
(2) - USE THIS OWNER'S MANUAL AS A GUIDE ONLY. (3) - USE THE PREFIX GIVEN INSTEAD OF THE ONE AT THE TOP OF THE COLUMN. (4) - THIS MANUAL REQUIRES BINDER # 99935-01841. NOTE: ATV SERVICE MANUALS ARE BOUND AND DO NOT REQUIRE A BINDER, HOWEVER, SEVERAL CAN BE STORED TOGETHER IN BINDER #99935-01842.

AIR CLEANER.....	C-07	COWLING BODY.....	I-02	FRAME COVER.....	H-03	GASKET SET.....	B-02	OIL COOLER.....	C-09	SEAT TAIL COVER.....	J-03	TRANSMISSION.....	D-04
ALTERNATOR.....	E-03	COWLING INSTALLATIO	I-04	FRAME.....	G-02	GEAR SHIFTING.....	D-06	OIL PAN.....	B-09	SEAT.....	J-02	TURN SIGNAL LAMP...	F-04
BATTERY.....	E-06	CRANKCASE COVER.....	B-08	FRONT BRAKE HOSE...	K-04	HANDLE LEVER.....	H-10	OIL PUMP.....	B-10	SECOND AIR.....	C-00	WIRING HARNESS.....	F-07
CAM CHAIN.....	C-03	CRANKCASE.....	B-06	FRONT CALIPERS.....	K-03	HANDLE SWITCH.....	F-09	OPTIONAL.....	L-07	SIGNAL GENERATOR.....	F-04		
CAM SHAFT / VALVE.....	C-02	CRANKSHAFT.....	B-11	FRONT DAMPER.....	J-07	HANDLEBAR.....	H-09	REAR CALIPER.....	L-05	SPEEDOMETER.....	E-07		
CANISTER.....	H-02	CYLINDER HEAD COVER	B-03	FRONT FENDER.....	H-07	HEADLAMP HOUSING.....	H-06	REAR CUSHION LEVER.....	L-03	STAND.....	G-04		
CARBURETOR FITTING.....	C-06	CYLINDER HEAD.....	B-04	FRONT MASTER CYLIND	K-05	HEADLAMP.....	F-02	REAR FENDER.....	H-11	STARTER CLUTCH.....	B-12		
CARBURETOR.....	C-04	CYLINDER.....	B-05	FRONT WHEEL.....	K-02	LABEL.....	I-05	REAR MASTER CYLINDE	L-06	STARTING MOTOR.....	E-02		
CLUTCH MASTER CYLIN	K-07	ELECTRICAL.....	E-05	FUEL COCK.....	G-09	MANUAL BOX.....	H-05	REAR SWINGING ARM.....	L-02	STEERING STEM.....	J-08		
CLUTCH.....	D-02	FOOTREST.....	G-05	FUEL TANK.....	G-07	MUFFLER.....	C-08	REAR WHEEL.....	L-04	TAIL LAMP.....	F-06		



MODEL/ YEAR V/97	SET-UP MANUAL 99505-	SERVICE MANUAL 99500-	SERVICE MANUAL SUPPLEMENT 99501-	OWNERS MANUAL 99011-	OWNERS MANUAL SUPPLEMENT 99016-	OWNERS MAINTENANCE MANUAL 99011-
JR50V	01067-03E	20160-01E		04444-03A		
DS80V	01117-03E	20019-03E		03455-03A		
DR200SEV	01126-03E	41101-03E (4)		42A26-03A		
DR350V	01187-03E	43016-03E (4)	43060-03E	14D67-03A		
DR350SEV	01186-03E	43016-03E (4)	43060-03E	14D93-03A		
DR650SEV	01206-03E	46030-03E (4)		32E51-03A		
RM80V	01096-03E					02B72-03A
RM125V	01236-03E					36E51-03A
RM250V	01217-03E					37E51-03A
RMX250V	01256-03E					05D56-03A
GN125EV	01246-03E	31007-03E (4)		05351-03A		
GS500EV	01027-03E	34068-03E (4)		01D58-03A		
GSF600SV	01167-03E	35040-03E (4)		27E51-03A		
GSF1200SV	01147-03E	39131-03E (4)		27E51-03A		
GSF1200SAV	01297-03E	39131-03E (4)	39260-03E	27E71-03A		
LS650PV	01107-03E	36065-03E (4)		24C52-03A		
VS800GLPV	01106-03E	38020-03E (4)		39A56-03A		
VS1400GLPV	01047-03E	39078-03E (4)	39250-03E	38B60-03A		
VZ800GLV	01227-03E	38030-03E (4)		48E50-03A		
GSX600FV	01067-03E	35027-03E (4)	35120-03E	20C58-03A		
GSX750FV	01017-03E	37067-03E (4)		20C58-03A		
RF900RV	01097-03E	39122-03E (4)		31E53-03A		
GSX-R600V	01237-03E	35060-03E (4)		34E50-03A		
GSX-R750V	01266-03E	37081-03E (4)		33E51-03A		
GSX-R1100WV	01235-03E	39113-03E (4)		46E54-03A		
TL1000SV	01287-03E	39140-03E (4)		02F51-03A		
LT80V	01044-03E	20158-01E		40B61-03A		
LT-F160V	01054-03E	41097-01E		02C67-03A		
LT-F250V	01066-03E	42097-01E		20B60-03A		
LT-4WDV	01007-03E	42058-01E		19B51-03A		
LT-F4WDV	01076-03E	42058-01E		19B51-03A		

(1) - SERVICE MANUAL SUPPLEMENT FOR THIS YEAR MODEL IS ALREADY INCLUDED IN THE LATEST VERSION OF THE SERVICE MANUAL, BUT IS STILL AVAILABLE SEPARATELY. (2) - USE THIS OWNER'S MANUAL AS A GUIDE ONLY. (3) - USE THE PREFIX GIVEN INSTEAD OF THE ONE AT THE TOP OF THE COLUMN. (4) - THIS MANUAL REQUIRES BINDER # 99935-01941. NOTE: ATV SERVICE MANUALS ARE BOUND AND DO NOT REQUIRE A BINDER, HOWEVER, SEVERAL CAN BE STORED TOGETHER IN BINDER #99935-01942.

MODEL/ YEAR T/96	SET-UP MANUAL 99505-	SERVICE MANUAL 99500-	SERVICE MANUAL SUPPLEMENT 99501-	OWNERS MANUAL 99011-	OWNERS MANUAL SUPPLEMENT 99016-	OWNERS MAINTENANCE MANUAL 99011-
JR50T	01144-03E	20160-01E		04443-03A		
DS80T	01105-03E	20019-03E		03454-03A		
DR125SET	01194-03E	31030-03E (4)		42A27-03A		
DR200SET	01126-03E	41101-03E (4)		42A27-03A		
DR350T	01145-03E	43016-03E (4)		14D66-03A		
DR350SET	01186-03E	43016-03E (4)		14D92-03A		
DR650SET	01206-03E	46030-03E (4)		32E50-03A		
RM80T	01096-03E					02B71-03A
RM125T	01236-03E					36E50-03A
RM250T	01286-03E					37E50-03A
RMX250T	01256-03E					05D67-03A
GN125ET	01246-03E	31007-03E (4)		05350-03A		
GS500ET	01045-03E	34068-03E (4)	34120-03E (1)	01D57-03A		
GSF600ST	01006-03E	35040-03E (4)		26E51-03A		
LS650PT	01275-03E	36065-03E (4)	36080-03E (1)	24C51-03A		
VS800GLPT	01106-03E	38020-03E (4)	38080-03E (1)	39A55-03A		
VS1400GLPT	01046-03E	39078-03E (4)	39230-03E (1)	38B59-03A		
GSX600FT	01086-03E	35027-03E (4)	35120-03E	20C57-03A		
GSX750FT	01036-03E	37067-03E (4)	37190-03E (1)	20C57-03A		
RF600RT	01205-03E	35033-03E (4)	35130-03E (1)	31E52-03A		
RF900RT	01265-03E	39122-03E (4)	39240-03E (1)	31E52-03A		
GSX-R750T	01266-03E	37081-03E (4)		33E50-03A		
GSX-R1100WT	01235-03E	39113-03E (4)		46E53-03A		
LT80T	01044-03E	20158-01E		40B60-03A		
LT-F160T	01054-03E	41097-01E		02C66-03A		
LT-F250T	01066-03E	42097-01E		20B58-03A		
LT-4WDT	01016-03E	42058-01E		19B50-03A		
LT-F4WDXT	01076-03E	42058-01E		19B50-03A		

(1) - SERVICE MANUAL SUPPLEMENT FOR THIS YEAR MODEL IS ALREADY INCLUDED IN THE LATEST VERSION OF THE SERVICE MANUAL, BUT IT IS STILL AVAILABLE SEPARATELY. (2) - USE THIS OWNER'S MANUAL AS A GUIDE ONLY. (3) - USE THE PREFIX GIVEN INSTEAD OF THE ONE AT THE TOP OF THE COLUMN. (4) - THIS MANUAL REQUIRES BINDER # 99935-01941. NOTE: ATV SERVICE MANUALS ARE BOUND AND DO NOT REQUIRE A BINDER, HOWEVER, SEVERAL CAN BE STORED TOGETHER IN BINDER #99935-01942.

AIR CLEANER.....	C-07	COWLING BODY.....	H-02	FRAME COVER.....	H-03	GASKET SET.....	B-02	OIL COOLER.....	C-09	SEAT TAIL COVER.....	J-03	TRANSMISSION.....	D-04
ALTERNATOR.....	E-03	COWLING INSTALLATIO.....	H-04	FRAME.....	G-02	GEAR SHIFTING.....	D-06	OIL PAN.....	B-09	SEAT.....	J-02	TURN SIGNAL LAMP.....	F-04
BATTERY.....	E-06	CRANKCASE COVER.....	B-08	FRONT BRAKE HOSE.....	K-04	HANDLE LEVER.....	H-10	OIL PUMP.....	B-10	SECOND AIR.....	C-10	WIRING HARNESS.....	F-07
CAM CHAIN.....	C-03	CRANKCASE.....	B-06	FRONT CALIPERS.....	K-03	HANDLE SWITCH.....	F-09	OPTIONAL.....	L-07	SIGNAL GENERATOR.....	E-04		
CAM SHAFT / VALVE.....	C-02	CRANKSHAFT.....	B-11	FRONT DAMPER.....	J-07	HANDLEBAR.....	H-09	REAR CALIPER.....	L-05	SPEEDOMETER.....	E-07		
CANISTER.....	H-02	CYLINDER HEAD COVER.....	B-03	FRONT FENDER.....	H-07	HEADLAMP HOUSING.....	H-06	REAR CUSHION LEVER.....	L-03	STAND.....	G-04		
CARBURETOR FITTING.....	C-06	CYLINDER HEAD.....	B-04	FRONT MASTER CYLIND.....	K-05	HEADLAMP.....	F-02	REAR FENDER.....	H-11	STARTER CLUTCH.....	B-12		
CARBURETOR.....	C-04	CYLINDER.....	B-05	FRONT WHEEL.....	K-02	LABEL.....	H-05	REAR MASTER CYLINDE.....	L-06	STARTING MOTOR.....	E-02		
CLUTCH MASTER CYLIN.....	K-07	ELECTRICAL.....	E-05	FUEL COCK.....	G-09	MANUAL BOX.....	H-05	REAR SWINGING ARM.....	L-02	STEERING STEM.....	J-08		
CLUTCH.....	D-02	FOOTREST.....	G-05	FUEL TANK.....	G-07	MUFFLER.....	C-08	REAR WHEEL.....	L-04	TAIL LAMP.....	F-06		

MODEL/ YEAR S/95	SET-UP MANUAL 99505-	SERVICE MANUAL 99500-	SERVICE MANUAL SUPPLEMENT 99501-	OWNERS MANUAL 99011-	OWNERS MANUAL SUPPLEMENT 99016-	OWNERS MAINTENANCE MANUAL 99011-
JR50S	01144-03E	20160-01E		04442-03A		
DS80S	01105-03E	20019-03E		03463-03A		
DR125SES	01194-03E	31030-03E (4)	41130-03E	44A26-03A		
DR250SES	01185-03E	42114-03E (4)	42170-03E (1)	15D82-03A		
DR350S	01145-03E	43018-03E (4)		14D85-03A		
DR350SES	01304-03E	43018-03E (4)	43040-03E (1)	14D91-03A		
DR650SES	01294-03E	46022-03E (4)	46060-03E	12E81-03A		
RM70S	01094-03E					0287C-03A
RM125S	01175-03E					43D53-03A
RM250S	01155-03E					28E52-03A
RMX250S	01135-03E					05D56-03A
GN125S	01004-03E	31006-03E (4)	31020-03E (1)	05329-03A		
GS500ES	01045-03E	34068-03E (4)	34110-03E (1)	01D56-03A		
LS650PS	01275-03E	38065-03E (4)	38070-03E (1)	24C60-03A		
VS800GLPS	01085-03E	38020-03E (4)		39A54-03A		
VS1400GLPS	01043-03E	39078-03E (4)	39210-03E (1)	38B58-03A		
GSX600FS	01124-03E	35027-03E (4)	35080-03E (1)	19C57-03A		
GSX750FS	01063-03E	37067-03E (4)	37180-03E (1)	20C56-03A		
RF600RS	01205-03E	35033-03E (4)	35090-03E (1)	21E52-03A		
RF900RS	01265-03E	39122-03E (4)	39200-03E (1)	31E51-03A		
GSX-R750WS	01165-03E	37073-03E (4)	37170-03E (1)	17E51-03A		
GSX-R1100WS	01235-03E	39113-03E (4)		48E52-03A		
LT80S	01044-03E	20158-01E		40B59-03A		
LT-F160S	01054-03E	41097-01E		02C65-03A		
LT-F250S	01055-03E	42097-01E		20B57-03A		
LT-4WDS	01025-03E	42058-01E		19B28-03A		
LT-F4WDXS	01075-03E	42058-01E		19B38-03A		

(1) - SERVICE MANUAL SUPPLEMENT FOR THIS YEAR MODEL IS ALREADY INCLUDED IN THE LATEST VERSION OF THE SERVICE MANUAL, BUT IS STILL AVAILABLE SEPARATELY.  
(2) - USE THE OWNER'S MANUAL AS A GUIDE ONLY. (3) - USE THE PREFIX GIVEN INSTEAD OF THE ONE AT THE TOP OF THE COLUMN. (4) - THIS MANUAL REQUIRES BINDER # 99836-01841. NOTE: ATV SERVICE MANUALS ARE BOUND AND DO NOT REQUIRE A BINDER, HOWEVER, SEVERAL CAN BE STORED TOGETHER IN BINDER #99836-01842.

MODEL/ YEAR R/94	SET-UP MANUAL 99505-	SERVICE MANUAL 99500-	SERVICE MANUAL SUPPLEMENT 99501-	OWNERS MANUAL 99011-	OWNERS MANUAL SUPPLEMENT 99016-	OWNERS MAINTENANCE MANUAL 99011-
JR50R	01144-03E	20160-01E		04441-03A		
DS80R	01143-03E	20019-03E		03452-03A		
DR125SER	01194-03E	31030-03E (4)		44A25-03A		
DR250SER	01293-03E	42113-03E (4)		15D81-03A		
DR350R	01184-03E	43018-03E (4)		14D84-03A		
DR350SER	01304-03E	43018-03E (4)		14D90-03A		
DR650SER	01294-03E	46022-03E (4)		12E81-03A		
RMB0R	01094-03E					02B26-03A
RM125R	01204-03E					43D52-03A
RM250R	NLA					28E51-03A
RMX250R	NLA					05D56-03A
GN125ER	01004-03E	31006-03E (4)		05328-03A		
GS500ER	NLA	34068-03E (4)		01D55-03A		
VS800GLPR	01182-03E	38020-03E (4)		39A53-03A		
VS1400GLPR	01043-03E	39078-03E (4)		38B57-03A		
GSX600FR	01124-03E	35027-03E (4)		19C56-03A		
GSX750FR	01063-03E	37067-03E (4)		20C55-03A		
RF600RR	01224-03E	35033-03E (4)		21E51-03A		
RF900RR	01284-03E	39122-03E (4)		31E50-03A		
GSX-R750WR	01234-03E	37073-03E (4)		17E50-03A		
GSX-R1100WR	01383-03E	39113-03E (4)		48E51-03A		
LT80R	01044-03E	20158-01E		NLA USE "S" MODEL		
LT-F160R	01054-03E	41097-01E		02C64-03A		
LT-F250R	01084-03E	42097-01E		20B56-03A		
LT-4WDR	NLA	42058-01E		19B27-03A		
LT-F4WDXR	01073-03E	42058-01E		19B37-03A		

(1) - SERVICE MANUAL SUPPLEMENT FOR THIS YEAR MODEL IS ALREADY INCLUDED IN THE LATEST VERSION OF THE SERVICE MANUAL, BUT IS STILL AVAILABLE SEPARATELY.  
(2) - USE THE OWNER'S MANUAL AS A GUIDE ONLY. (3) - USE THE PREFIX GIVEN INSTEAD OF THE ONE AT THE TOP OF THE COLUMN. (4) - THIS MANUAL REQUIRES BINDER # 99836-01841. NOTE: ATV SERVICE MANUALS ARE BOUND AND DO NOT REQUIRE A BINDER, HOWEVER, SEVERAL CAN BE STORED TOGETHER IN BINDER #99836-01842.

AIR CLEANER.....	C-07	COWLING BODY.....	F-02	FRAME COVER.....	H-03	GASKET SET.....	B-02	OIL COOLER.....	C-09	SEAT TAIL COVER.....	J-03	TRANSMISSION.....	D-04
ALTERNATOR.....	E-03	COWLING INSTALLATIO	F-04	FRAME.....	G-02	GEAR SHIFTING.....	D-06	OIL PAN.....	B-09	SEAT.....	J-02	TURN SIGNAL LAMP.....	F-04
BATTERY.....	E-06	CRANKCASE COVER.....	B-08	FRONT BRAKE HOSE.....	K-04	HANDLE LEVER.....	H-10	OIL PUMP.....	B-10	SECOND AIR.....	C-10	WIRING HARNESS.....	F-07
CAM CHAIN.....	C-03	CRANKCASE.....	B-06	FRONT CALIPERS.....	K-03	HANDLE SWITCH.....	F-09	OPTIONAL.....	L-07	SIGNAL GENERATOR.....	E-04		
CAM SHAFT / VALVE.....	C-02	CRANKSHAFT.....	B-11	FRONT DAMPER.....	J-07	HANDLEBAR.....	H-09	REAR CALIPER.....	L-06	SPEEDOMETER.....	E-04		
CANISTER.....	H-02	CYLINDER HEAD COVER	B-03	FRONT FENDER.....	H-07	HEADLAMP.....	H-06	REAR CUSHION LEVER	L-03	STAND.....	G-04		
CARBURETOR FITTING	C-06	CYLINDER HEAD.....	B-04	FRONT MASTER CYLIND	K-05	HEADLAMP HOUSING...	H-06	REAR FENDER.....	H-11	STARTER CLUTCH.....	B-12		
CARBURETOR.....	C-04	CYLINDER.....	B-05	FRONT WHEEL.....	K-02	LABEL.....	I-05	REAR MASTER CYLINDE	L-06	STARTING MOTOR.....	E-02		
CLUTCH MASTER CYLIN	K-07	ELECTRICAL.....	E-05	FUEL COCK.....	G-09	MANUAL BOX.....	H-05	REAR SWINGING ARM	L-02	STEERING STEM.....	J-08		
CLUTCH.....	D-02	FOOTREST.....	G-05	FUEL TANK.....	G-07	MUFFLER.....	C-06	REAR WHEEL.....	L-04	TAIL LAMP.....	F-06		



MODEL/ YEAR P/93	SET-UP MANUAL 99505-	SERVICE MANUAL 99500-	SERVICE MANUAL SUPPLEMENT 99501-	OWNERS MANUAL 99011-	OWNERS MANUAL SUPPLEMENT 99016-	OWNERS MAINTENANCE MANUAL 99011-
JR50P	NLA	20180-01E		04440-03A		
DS80P	01143-03E	20019-03E		03451-03A		
DR250P	01152-03E	42114-03E (4)		15063-03A		
DR250SEP	01293-03E	42114-03E (4)		15080-03A		
DR350P	01092-03E	43016-03E (4)		14063-03A		
DR350SP	01112-03E	43016-03E (4)		14073-03A		
DR650SP	NLA	46022-03E (4)		12E51-03A		
RM80P	01051-03E					02827-03A
RM125P	01223-03E					43051-03A
RM250P	NLA					28E50-03A
RMX250P	01301-03E					05054-03A
GN125EP	01041-03E	31008-03E (4)		05327-03A		
GSF400P	01072-03E	33022-03E (4)		10D53-03A		
GS500EP	NLA	34068-03E (4)		01D54-03A		
VS800GLPP	01182-03E	38020-03E (4)		39A52-03A		
VS1400GLPP	01043-03E	39078-03E (4)		38856-03A		
VX800P	NLA	38013-03E (4)		45C53-03A		
GSX600FP	01202-03E	35027-03E (4)		19C66-03A		
GSX750FP	01063-03E	37067-03E (4)		20C54-03A		
GSX1100FP	01200-03E	39085-03E (4)		48856-03A		
GSX1100GP	01192-03E	39103-03E (4)		28D52-03A		
GSX-R600WP	01292-03E	36071-03E (4)		18E51-03A		
GSX-R750WP	01133-03E	37073-03E (4)		07F51-03A		
GSX-R1100WP	01383-03E	39113-03E (4)		46E60-03A		
LT80P	01001-03E	20158-01E		40857-03A		
LT-F160P	01281-03E	41097-01E		02C62-03A		
LT230EP	01153-03E	42075-01E		35B26-03A		
LT-F250P	01261-03E	42097-01E		20B55-03A		
LT4WDP	NLA	42058-01E		19B26-03A		
LT-F4WDXP	01073-03E	42058-01E		19B38-03A		

(1) = SERVICE MANUAL SUPPLEMENT FOR THIS YEAR MODEL IS ALREADY INCLUDED IN THE LATEST VERSION OF THE SERVICE MANUAL, BUT IS STILL AVAILABLE SEPARATELY. (2) = USE THIS OWNER'S MANUAL AS A GUIDE ONLY. (3) = USE THE PREFIX GIVEN INSTEAD OF THE ONE AT THE TOP OF THE COLUMN. (4) = THIS MANUAL REQUIRES BINDER # 99935-01841. NOTE: ATV SERVICE MANUALS ARE BOUND AND DO NOT REQUIRE A BINDER, HOWEVER, SEVERAL CAN BE STORED TOGETHER IN BINDER #99935-01842.

MODEL/ YEAR N/92	SET-UP MANUAL 99505-	SERVICE MANUAL 99500-	SERVICE MANUAL SUPPLEMENT 99501-	OWNERS MANUAL 99011-	OWNERS MANUAL SUPPLEMENT 99016-	OWNERS MAINTENANCE MANUAL 99011-
JR50N	NLA	20180-01E		04441-03A		
DS80N	NLA	20019-03E		03450-03A		
DR250N	01152-03E	42114-03E (4)		15062-03A		
DR250SN	01172-03E	42114-03E (4)		15072-03A		
DR350N	01092-03E	43016-03E (4)		14062-03A		
DR350SN	01112-03E	43016-03E (4)		14072-03A		
DR650SN	01242-03E	46022-03E (4)		12E51-03A		
RM80N	01051-03E					02826-03A
RM125N	01082-03E					43D50-03A
RM250N	NLA					28C53-03A
RMX250N	01301-03E					05D53-03A
GN125EN	01041-03E	31008-03E (4)		05326-03A		
GSF400N	01072-03E	33022-03E (4)		10D52-03A		
GS500EN	01042-03E	34068-03E (4)		01D53-03A		
VS800GLPN	01182-03E	38020-03E (4)		39A50-03A		
VS1400GLPN	01320-03E	39078-03E (4)		38855-03A		
VX800N	NLA	38013-03E (4)		45C52-03A		
GSX600FN	01202-03E	35027-03E (4)		19C54-03A		
GSX750FN	NLA	37067-03E (4)		20C53-03A		
GSX1100FN	NLA	39085-03E (4)		48855-03A		
GSX1100GN	01192-03E	39103-03E (4)		28F51-03A		
GSX-R600WN	01292-03E	36071-03E (4)		18L50-03A		
GSX-R750N	01311-03E	37066-03E (4)		17C54-03A		
GSX-R1100N	01321-03E	39092-03E (4)		40C53-03A		
LT80N	01001-03E	20158-01E		40856-03A		
LT160EN	NLA	41097-01E		02C54-03A		
LT-F160N	01281-03E	41097-01E		02C61-03A		
LT230EN	NLA	42075-01E		35B25-03A		
LT-F250N	01261-03E	42097-01E		20B54-03A		
LT4WDN	NLA	42058-01E		19B25-03A		
LT-F4WDXN	01241-03E	42058-01E		19B35-03A		
LT250RN	NLA	22065-01E		19A27-03A		

(1) = SERVICE MANUAL SUPPLEMENT FOR THIS YEAR MODEL IS STILL AVAILABLE SEPARATELY, BUT IS ALREADY INCLUDED IN THE LATEST VERSION OF THE SERVICE MANUAL. (2) = USE THIS OWNER'S MANUAL AS A GUIDE ONLY. (3) = USE THE PREFIX GIVEN INSTEAD OF THE ONE AT THE TOP OF THE COLUMN. (4) = THIS MANUAL REQUIRES BINDER # 99935-01841. ATV MANUALS ARE BOUND, BUT SEVERAL CAN BE STORED TOGETHER IN BINDER #99935-01842.

AIR CLEANER.....	C-07	COWLING BODY.....	I-02	FRAME COVER.....	H-03	GASKET SET.....	B-02	OIL COOLER.....	C-09	SEAT TAIL COVER.....	J-03	TRANSMISSION.....	D-04
ALTERNATOR.....	E-03	COWLING INSTALLATIO.....	I-04	FRAME.....	G-02	GEAR SHIFTING.....	D-08	OIL PAN.....	B-09	SEAT.....	J-02	TURN SIGNAL LAMP.....	F-04
BATTERY.....	E-06	CRANKCASE COVER.....	B-08	FRONT BRAKE HOSE.....	K-04	HANDLE LEVER.....	H-10	OIL PUMP.....	B-10	SECOND AIR.....	C-10	WIRING HARNESS.....	F-07
CAM CHAIN.....	C-03	CRANKCASE.....	B-06	FRONT CALIPERS.....	K-03	HANDLE SWITCH.....	F-09	OPTONAL.....	L-07	SIGNAL GENERATOR.....	E-04		
CAM SHAFT / VALVE.....	C-02	CRANKSHAFT.....	B-11	FRONT DAMPER.....	J-07	HANDLEBAR.....	H-09	REAR CALIPER.....	L-05	SPEEDOMETER.....	E-07		
CANISTER.....	H-02	CYLINDER HEAD COVER.....	B-03	FRONT FENDER.....	H-07	HEADLAMP HOUSING.....	H-06	REAR CUSHION LEVER.....	L-03	STAND.....	G-04		
CARBURETOR FITTING.....	C-06	CYLINDER HEAD.....	B-04	FRONT MASTER CYLIND.....	K-05	HEADLAMP.....	F-02	REAR FENDER.....	H-11	STARTER CLUTCH.....	B-12		
CARBURETOR.....	C-04	CYLINDER.....	B-05	FRONT WHEEL.....	K-02	LABEL.....	I-05	REAR MASTER CYLINDE.....	L-06	STARTING MOTOR.....	E-02		
CLUTCH MASTER CYLIN.....	K-07	ELECTRICAL.....	E-05	FUEL COCK.....	G-09	MANUAL BOX.....	H-05	REAR SWINGING ARM.....	L-02	STEERING S'EM.....	J-08		
CLUTCH.....	D-02	FOOTREST.....	G-05	FUEL TANK.....	G-07	MUFFLER.....	C-06	REAR WHEEL.....	L-04	TAIL LAMP.....	F-06		

MODEL/ YEAR M/91	SET-UP MANUAL 99505-	SERVICE MANUAL 99500-	SERVICE MANUAL SUPPLEMENT 99501-	OWNERS MANUAL 99011-	OWNERS MANUAL SUPPLEMENT 99016-	OWNERS MAINTENANCE MANUAL 99011-
FA50M	01341-03E	10067-03E		02232-03A		
JR50M	NLA	20160-01E		NLA USE "N" MODEL		
DS80M	NLA	20019-03E		03428-03A		
DR250M	NLA	42114-03E (4)		15061-03A		
DR250SM	NLA	42114-03E (4)		15071-03A		
DR350M	NLA	43016-03E (4)		14061-03A		
DR350SM	NLA	43016-03E (4)		14071-03A		
DR650SM	NLA	46011-03E (4)		14A26-03A		
RM80M	01051-03E					02B25-03A
RM125M	01161-03E					27C52-03A
RM250M	NLA					28C52-03A
RMX250M	01301-03E					05D52-03A
GN125EM	01041-03E	31006-03E (4)		05324-03A		
GSF400M	01141-03E	33022-03E (4)		10051-03A		
GS500EM	NLA	34068-03E (4)		01052-03A		
VS750GLPM	01191-03E	38020-03E (4)		38A37-03A		
VS1400GLPM	01320-03E	39078-03E (4)		38B54-03A		
VX800M	NLA	38013-03E (4)		45C51-03A		
GSX600FM	NLA	35027-03E (4)		19C53-03A		
GSX750FM	NLA	37067-03E (4)		20C53-03A		
GSX1100FM	NLA	39085-03E (4)		48B54-03A		
GSX1100GM	NLA	39103-03E (4)		26D60-03A		
GSX-R750M	01311-03E	37056-03E (4)		17C54-03A		
GSX-R1100M	01321-03E	39092-03E (4)		40C52-03A		
LT80M	01001-03E	20158-01E		NLA USE "S" MODEL		
LT160EM	NLA	41097-01E		02C53-03A		
LT-F160EM	01281-03E	41097-01E		02C60-03A		
LT230EM	NLA	42075-01E		35B24-03A		
LT-F250M	01261-03E	42097-01E		NLA USE "M" MODEL		
LT4WDM	01201-03E	42058-01E		19B24-03A		
LT-F4WDXM	01241-03E	42058-01E		19B34-03A		
LT250RM	NLA	22065-01E		19A26-03A		

(1) - SERVICE MANUAL SUPPLEMENT FOR THIS YEAR MODEL IS ALREADY INCLUDED IN THE LATEST VERSION OF THE SERVICE MANUAL, BUT IS STILL AVAILABLE SEPARATELY.  
(2) - USE THIS OWNER'S MANUAL AS A GUIDE ONLY. (3) - USE THE PREFIX GIVEN INSTEAD OF THE ONE AT THE TOP OF THE COLUMN. (4) - THIS MANUAL REQUIRES BINDER # 99935-01841. NOTE: ATV SERVICE MANUALS ARE BOUND AND DO NOT REQUIRE A BINDER, HOWEVER, SEVERAL CAN BE STORED TOGETHER IN BINDER #99935-01842.

MODEL/ YEAR L/90	SET-UP MANUAL 99505-	SERVICE MANUAL 99500-	SERVICE MANUAL SUPPLEMENT 99501-	OWNERS MANUAL 99011-	OWNERS MANUAL SUPPLEMENT 99016-	OWNERS MAINTENANCE MANUAL 99011-
FA50L	NLA	10067-03E		02231-03A		
JR50L	NLA	20160-01E		04437-03A		
DS80L	NLA	20019-03E		03427-03A		
DR100L	NLA	41034-03E (4)		05257-03A		
DR250L	NLA	42114-03E (4)		15060-03A		
DR250SL	NLA	42114-03E (4)		15070-03A		
DR350L	NLA	43016-03E (4)		14060-03A		
DR350SL	NLA	43016-03E (4)		14070-03A		
DR650SL	NLA	46011-03E (4)		14A25-03A		
RM80L	NLA					02B24-03A
RM125L	NLA					27C51-03A
RM250L	01230-03E					28C51-03A
RMX250L	01310-03E					05D51-03A
GS500EL	NLA	34068-03E (4)		01D51-03A		
VS750GLPL	NLA	38020-03E (4)		38A36-03A		
VS1400GLPL	01320-03E	39078-03E (4)		38B53-03A		
VX800L	NLA	38013-03E (4)		45C50-03A		
GSX600FL	NLA	35027-03E (4)		19C52-03A		
GSX750FL	NLA	37067-03E (4)		20C53-03A		
GSX1100FL	NLA	39085-03E (4)		48B53-03A		
GSX-R750L	01290-03E	37056-03E (4)		17C52-03A		
GSX-R1100L	01260-03E	39092-03E (4)		40C51-03A		
LT80L	NLA	20158-01E		40B54-03A		
LT160EL	NLA	41096-01E		02C52-03A		
LT230EL	NLA	42075-01E		35B23-03A		
LT250SL	NLA	42101-01E		25C51-03A		
LT-F250L	NLA	42097-01E		20B52-03A		
LT-4WDL	NLA	42058-01E		19B23-03A		
LT250RL	NLA	22065-01E		19A25-03A		
LT500RL	NLA	24014-01E		43B62-03A		

(1) - SERVICE MANUAL SUPPLEMENT FOR THIS YEAR MODEL IS ALREADY INCLUDED IN THE LATEST VERSION OF THE SERVICE MANUAL, BUT IT IS STILL AVAILABLE SEPARATELY.  
(2) - USE THIS OWNER'S MANUAL AS A GUIDE ONLY. (3) - USE THE PREFIX GIVEN INSTEAD OF THE ONE AT THE TOP OF THE COLUMN. (4) - THIS MANUAL REQUIRES BINDER # 99935-01841. NOTE: ATV SERVICE MANUALS ARE BOUND AND DO NOT REQUIRE A BINDER, HOWEVER, SEVERAL CAN BE STORED TOGETHER IN BINDER #99935-01842.

A 10

AIR CLEANER.....	C-07	COWLING BODY.....	I-02	FRAME COVER.....	H-03	GASKET SET.....	B-02	OIL COOLER.....	C-08	SEAT TAIL COVER.....	J-03	TRANSMISSION.....	D-04
ALTERNATOR.....	E-03	COWLING INSTALLATIO.....	I-04	FRAME.....	G-02	GEAR SHIFTING.....	D-06	OIL PAN.....	B-09	SEAT.....	J-02	TURN SIGNAL LAMP.....	F-04
BATTERY.....	E-06	CRANKCASE COVER.....	B-08	FRONT BRAKE HOSE.....	K-04	HANDLE LEVER.....	H-10	OIL PUMP.....	B-10	SECOND AIR.....	C-10	WIRING HARNESS.....	F-07
CAM CHAIN.....	C-03	CRANKCASE.....	B-06	FRONT CALIPERS.....	K-03	HANDLE SWITCH.....	F-09	OPTIONAL.....	L-07	SIGNAL GENERATOR.....	E-04		
CAM SHAFT / VALVE.....	C-02	CRANKSHAFT.....	B-11	FRONT DAMPER.....	J-07	HANDLEBAR.....	H-09	REAR CALIPER.....	L-06	SPEEDOMETER.....	E-07		
CANISTER.....	H-02	CYLINDER HEAD COVER.....	B-03	FRONT FENDER.....	H-07	HEADLAMP HOUSING.....	H-06	REAR CUSHION LEVER.....	L-03	STAND.....	G-04		
CARBURETOR FITTING.....	C-06	CYLINDER HEAD.....	B-04	FRONT MASTER CYLIND.....	K-05	HEADLAMP.....	F-02	REAR FENDER.....	H-11	STARTER CLUTCH.....	B-12		
CARBURETOR.....	C-04	CYLINDER.....	B-05	FRONT WHEEL.....	K-02	LABEL.....	I-05	REAR MASTER CYLINDE.....	L-08	STARTING MOTOR.....	E-02		
CLUTCH MASTER CYLIN.....	K-07	ELECTRICAL.....	E-05	FUEL COCK.....	G-09	MANUAL BOX.....	H-05	REAR SWINGING ARM.....	L-02	STEERING STEM.....	J-08		
CLUTCH.....	D-02	FOOTREST.....	G-05	FUEL TANK.....	G-07	MUFFLER.....	C-06	REAR WHEEL.....	L-04	TAIL LAMP.....	F-06		



MODEL/ YEAR K/89	SET-UP MANUAL 99505-	SERVICE MANUAL 99500-	SERVICE MANUAL SUPPLEMENT 99501-	OWNERS MANUAL 99011-	OWNERS MANUAL SUPPLEMENT 99016-	OWNERS MAINTENANCE MANUAL 99011-
FA50K	NLA	10067-03E		NLA		
JR50K	NLA	20160-01E		04438-03A		
DS90K	NLA	20019-03E		03426-03A		
DR100K	NLA	41034-03E (4)		05255-03A		
RM80K	NLA					02B23-03A
RM125K	NLA					27C50-03A
RM250K	NLA					28C60-03A
RMX250K	NLA					05D70-03A
GS500EK	NLA	34068-03E (4)		01D50-03A		
VS750GLPK	NLA	38020-03E (4)		38A35-03A		
GSX600FK	NLA	35027-03E (4)		19C51-03A		
GSX750FK	NLA	37067-03E (4)		20C50-03A		
GSX1100FK	NLA	39085-03E (4)		48B52-03A		
GSX-R750K	NLA	37056-03E (4)		17C51-03A		
GSX-R1100K	NLA	39092-03E (4)		40C50-03A		
LT80K	NLA	20158-01E		40B53-03A		
LT180EK	NLA	41096-01E		02C51-03A		
LT230EK	NLA	42075-01E		35B22-03A		
LT250SK	NLA	42101-01E		26C50-03A		
LT-F250K	NLA	42097-01E		20B51-03A		
LT300EK	NLA	42082-01E		41B52-03A		
LT-4WDK	NLA	42058-01E		19B22-03A		
LT250RK	NLA	22065-01E		19A24-03A		
LT500RK	NLA	24014-C:2		43B61-03A		

(1) - SERVICE MANUAL SUPPLEMENT FOR THIS YEAR MODEL IS ALREADY INCLUDED IN THE LATEST VERSION OF THE SERVICE MANUAL, BUT IS STILL AVAILABLE SEPARATELY. (2) - USE THIS OWNER'S MANUAL AS A GUIDE ONLY. (3) - USE THE PREFIX GIVEN INSTEAD OF THE ONE AT THE TOP OF THE COLUMN. (4) - THIS MANUAL REQUIRES BINDER # 99938-01B41. NOTE: ATV SERVICE MANUALS ARE BOUND AND DO NOT REQUIRE A BINDER, HOWEVER, SEVERAL CAN BE STORED TOGETHER IN BINDER #99938-01B42.

MODEL/ YEAR J/88	SET-UP MANUAL 99505-	SERVICE MANUAL 99500-	SERVICE MANUAL SUPPLEMENT 99501-	OWNERS MANUAL 99011-	SERVICE MANUAL SUPPLEMENT 99016-	OWNERS MAINTENANCE MANUAL 99011-
FA50J	NLA	10067-03E		02229-03A		
JR50J	NLA	20160-01E		04435-03A		
SP125J	NLA	41082-03E (4)		44A23-03A		
SP200J	NLA	41072-03E (4)		42A23-03A		
DS90J	NLA	20019-03E		03426-03A		
DR100J	NLA	41034-03E (4)		05255-03A		
DR125J	NLA	41082-03E (4)		44A33-03A		
DR200J	NLA	41072-03E (4)		42A33-03A		
RM80J	NLA					02B22-03A
RM125J	NLA					01B22-03A
RM250J	NLA					28C50-03A
GN250J	NLA	32023-03E (4)		38324-03A		
GS450LJ	NLA	34025-03E (4)		44B35-03A		
LS650J	NLA	36065-03E (4)		24B22-03A		
VS750GLPJ	NLA	38020-03E (4)		38A34-03A		
VS1400GLPJ	NLA	39078-03E (4)		NLA USE "L" MODEL		
GSX600FJ	NLA	35027-03E (4)		19C50-03A		
GSX1100FJ	NLA	39085-03E (4)		48B51-03A		
GSX-R750J	NLA	37056-03E (4)		17C50-03A		
GSX-R1100J	NLA	39062-03E (4)		06B22-03A		
GV1400GDJ	NLA	39052-03E (4)		24A22-03A		
LT80J	NLA	20158-01E		40B51-03A		
LT230EJ	NLA	42075-01E		35B21-03A		
LT230SJ	NLA	42034-01E		22A23-03A		
LT-F250J	NLA	42097-01E		20B50-03A		
LT-4WDJ	NLA	42058-01E		19B21-03A		
LT300EJ	NLA	42082-01E		41B51-03A		
LT250RJ	NLA	22065-01E		19A23-03A		
LT500RJ	NLA	24014-01E		43B60-03A		

(1) - SERVICE MANUAL SUPPLEMENT FOR THIS YEAR MODEL IS ALREADY INCLUDED IN THE LATEST VERSION OF THE SERVICE MANUAL, BUT IS STILL AVAILABLE SEPARATELY. (2) - USE THIS OWNER'S MANUAL AS A GUIDE ONLY. (3) - USE THE PREFIX GIVEN INSTEAD OF THE ONE AT THE TOP OF THE COLUMN. (4) - THIS MANUAL REQUIRES BINDER # 99938-01B41. NOTE: ATV SERVICE MANUALS ARE BOUND AND DO NOT REQUIRE A BINDER, HOWEVER, SEVERAL CAN BE STORED TOGETHER IN BINDER #99938-01B42.

AIR CLEANER.....	C-07	COWLING BODY.....	I-02	FRAME COVER.....	H-03	GASKET SET.....	B-02	OIL COOLER.....	C-09	SEAT TAIL COVER.....	J-03	TRANSMISSION.....	D-04
ALTERNATOR.....	E-03	COWLING INSTALLATIO.....	I-04	FRAME.....	G-02	GEAR SHIFTING.....	D-06	OIL PAN.....	B-09	SEAT.....	J-02	TURN SIGNAL LAMP.....	F-04
BATTERY.....	C-08	CRANKCASE COVER.....	B-08	FRONT BRAKE HOSE.....	K-04	HANDLE LEVER.....	H-10	OIL PUMP.....	B-10	SECOND AIR.....	C-10	WIRING HARNESS.....	F-07
CAM CHAIN.....	C-03	CRANKCASE.....	B-06	FRONT CALIPERS.....	K-03	HANDLE SWITCH.....	F-09	OPTIONAL.....	L-07	SIGNAL GENERATOR.....	E-04		
CAM SHAFT / VALVE.....	C-02	CRANKSHAFT.....	B-11	FRONT DAMPER.....	J-07	HANDLEBAR.....	H-09	REAR CALIPER.....	L-05	SPEEDOMETER.....	E-07		
CANISTER.....	H-02	CYLINDER HEAD COVER.....	B-03	FRONT FENDER.....	H-07	HEADLAMP HOUSING.....	H-06	REAR CUSHION LEVER.....	L-03	STAND.....	G-04		
CARBURETOR FITTING.....	C-06	CYLINDER HEAD.....	B-04	FRONT MASTER CYLIND.....	K-05	HEADLAMP.....	F-02	REAR FENDER.....	H-11	STARTER CLUTCH.....	B-12		
CARBURETOR.....	C-04	CYLINDER.....	B-05	FRONT WHEEL.....	K-02	LABEL.....	I-05	REAR MASTER CYLINDE.....	L-06	STARTING MOTOR.....	E-02		
CLUTCH MASTER CYLIN.....	K-07	ELECTRICAL.....	E-05	FUEL COCK.....	G-09	MANUAL BOX.....	H-05	REAR SWINGING ARM.....	-02	STEERING STEM.....	J-08		
CLUTCH.....	D-02	FOOTREST.....	G-05	FUEL TANK.....	G-07	MUFFLER.....	C-08	REAR WHEEL.....	L-04	TAIL LAMP.....	F-06		

MODEL/ YEAR H/87	SET-UP MANUAL 99505-	SERVICE MANUAL 99500-	SERVICE MANUAL SUPPLEMENT 99501-	OWNERS MANUAL 99011-	SERVICE MANUAL SUPPLEMENT 99016-	OWNERS MAINTENANCE MANUAL 99011-
FA50H	NLA	10067-03E		02226-03A		
JR50H	NLA	20160-01E		04434-03A		
GSX-R50(RB50)	NLA	40000-01E		28850-03A		
SP125H	NLA	41082-03E (4)		44A22-03A		
SP200H	NLA	41072-03E (4)		42A21-03A		
DS80H	NLA	20019-03E		03424-03A		
DR100H	NLA	41034-03E (4)		NLA		
DR125H	NLA	41082-03E (4)		44A32-03A		
DR200H	NLA	41072-03E (4)		42A32-03A		
RM80H	NLA					02821-03A
RM125H	NLA					NLA
RM250H	NLA					00822-03A
GS450LH	NLA	34025-03E (4)		44935-03A		
LS650PH/FH	NLA	36065-03E (4)		NLA USE "J" MODEL		
VS700GLPH/FH	NLA	38020-03E (4)		38A22-03A		
VS1400GLPH/FH	NLA	39078-03E (4)		38B50-03A		
GSX-R750H	NLA	37033-03E (4)		NLA		
GSX-R1100H	NLA	39062-03E (4)		06821-03A		
GV1400GDH	NLA	39052-03E (4)		24A21-03A		
GV1400GCH	NLA	39052-03E (4)		24A21-03A		
LT50H	NLA	20125-03E		04233-03A		
LT80H	NLA	20158-01E		40850-03A		
LT125H	NLA	41013-03E		18924-03A		
LT185H	NLA	41054-01E		24423-03A		
LT-F230H	NLA	42042-01E		18821-03A		
LT230EH	NLA	42075-01E		NLA		
LT230SH	NLA	42034-01E		22A22-03A		
LT300EH	NLA	42082-01E		41850-03A		
LT-4WDH	NLA	42058-01E		19820-03A		
LT250RH	NLA	22085-01E		19A22-03A		
LT500RH	NLA	24014-01E		43850-03A		

(1) - SERVICE MANUAL SUPPLEMENT FOR THIS YEAR MODEL IS ALREADY INCLUDED IN THE LATEST VERSION OF THE SERVICE MANUAL, BUT IS STILL AVAILABLE SEPARATELY.  
(2) - USE THIS OWNER'S MANUAL AS A GUIDE ONLY. (3) - USE THE PREFIX GIVEN INSTEAD OF THE ONE AT THE TOP OF THE COLUMN. (4) - THIS MANUAL REQUIRES BINDER # 99835-01841. NOTE: ATV SERVICE MANUALS ARE BOUND AND DO NOT REQUIRE A BINDER, HOWEVER, SEVERAL CAN BE STORED TOGETHER IN BINDER #99835-01842.

MODEL/ YEAR G/86	SET-UP MANUAL 99505-	SERVICE MANUAL 99500-	SERVICE MANUAL SUPPLEMENT 99501-	OWNERS MANUAL 99011-	SERVICE MANUAL SUPPLEMENT 99016-	OWNERS MAINTENANCE MANUAL 99011-
FA50G	NLA	10067-03E		NLA		
JR50G	NLA	20160-01E		04433-03A		
SP125G	NLA	41082-03E (4)		44A21-03A		
SP200G	NLA	41072-03E (4)		42A21-03A		
DS80G	NLA	20019-03E		NLA		
DR100G	NLA	41034-03E (4)		NLA USE "L" MODEL		
DR125G	NLA	41082-03E (4)		44A31-03A		
DR200G	NLA	41072-03E (4)		42A31-03A		
RM80G	NLA					02820-03A
RM125G	NLA					01820-03A
RM250G	NLA					00820-03A
GS450LG	NLA	34025-03E (4)		NLA USE "H" MODEL		
GS550LG	NLA	35012-03E (4)		43533-03A		
GS550ESG	NLA	35012-03E (4)		43423-03A		
LS650PG	NLA	36065-03E (4)		24820-03A		
LS650FG	NLA	36065-03E (4)		24820-03A		
VS700GLPG	NLA	38020-03E (4)		38A20-03A		
VS700GLFG	NLA	38020-03E (4)		38A20-03A		
VS700GLEPG	NLA	38020-03E (4)		38A20-03A		
VS700GLEFG	NLA	38020-03E (4)		38A20-03A		
GSX-R750G	NLA	37033-03E (4)		28A20-03A		
GSX-R750RG	NLA	37033-03E (4)		28A30-03A		
GSX-R1100G	NLA	39062-03E (4)		06820-03A		
GS1150EG	NLA	39032-03E (4)		00A22-03A		
GV1200GLG	NLA	39041-03E (4)		05A21-03A		
GV1400GTG	NLA	39052-03E (4)		NLA USE "H" MODEL		
GV1400GDG	NLA	39052-03E (4)		NLA USE "H" MODEL		
GV1400GCG	NLA	39052-03E (4)		NLA USE "H" MODEL		
ALT125G	NLA	41022-03E		24323-03A		
LT50G	NLA	20125-03E		04232-03A		
LT125G	NLA	41013-03E		18923-03A		
LT185G	NLA	41054-01E		24422-03A		
LT230GEG	NLA	42022-01E		18A21-03A		
LT-F230G	NLA	42042-01E		18820-03A		
LT230SG	NLA	42034-01E		22A21-03A		
LT250EFG	NLA	42011-01E		NLA		
LT250RG	NLA	22041-01E		19A21-03A		

(1) - SERVICE MANUAL SUPPLEMENT FOR THIS YEAR MODEL IS ALREADY INCLUDED IN THE LATEST VERSION OF THE SERVICE MANUAL, BUT IS STILL AVAILABLE SEPARATELY.  
(2) - USE THIS OWNER'S MANUAL AS A GUIDE ONLY. (3) - USE THE PREFIX GIVEN INSTEAD OF THE ONE AT THE TOP OF THE COLUMN. (4) - THIS MANUAL REQUIRES BINDER # 99835-01841. NOTE: ATV SERVICE MANUALS ARE BOUND AND DO NOT REQUIRE A BINDER, HOWEVER, SEVERAL CAN BE STORED TOGETHER IN BINDER #99835-01842.

AIR CLEANER.....	C-07	COWLING BODY.....	I-02	FRAME COVER.....	H-03	GASKET SET.....	B-02	OIL COOLER.....	C-09	SEAT TAIL COVER.....	J-03	TRANSMISSION.....	D-04
ALTERNATOR.....	E-03	COWLING INSTALLATIO	I-04	FRAME.....	G-02	GEAR SHIFTING.....	D-06	OIL PAN.....	B-09	SEAT.....	J-02	TURN SIGNAL LAMP.....	F-04
BATTERY.....	E-08	CRANKCASE COVER.....	B-08	FRONT BRAKE HOSE.....	K-04	HANDLE LEVER.....	H-10	OIL PUMP.....	B-10	SECOND AIR.....	C-10	WIRING HARNESS.....	F-07
CAM SHAFT.....	C-03	CRANKCASE.....	B-06	FRONT CALIPERS.....	K-03	HANDLE SWITCH.....	F-09	OPTIONAL.....	L-07	SIGNAL GENERATOR.....	E-04		
CAM SHAFT / VALVE.....	C-02	CRANKSHAFT.....	B-11	FRONT DAMPER.....	J-07	HANDLEBAR.....	H-09	REAR CALIPER.....	L-05	SPEEDOMETER.....	E-07		
CANISTER.....	H-02	CYLINDER HEAD COVER	B-03	FRONT FENDER.....	H-07	HEADLAMP HOUSING.....	H-06	REAR CUSHION LEVER.....	L-03	STAND.....	G-04		
CARBURETOR FITTING.....	C-06	CYLINDER HEAD.....	B-04	FRONT MASTER CYLIND	K-05	HEADLAMP.....	F-02	REAR FENDER.....	H-11	STARTER CLUTCH.....	B-12		
CARBURETOR.....	C-04	CYLINDER.....	B-05	FRONT WHEEL.....	K-02	LABEL.....	I-05	REAR MASTER CYLINDE	L-06	STARTING MOTOR.....	E-02		
CLUTCH MASTER CYLIN	K-07	ELECTRICAL.....	E-05	FUEL COCK.....	G-09	MANUAL BOX.....	H-05	REAR SWINGING ARM.....	L-02	STEERING STEM.....	J-08		
CLUTCH.....	D-02	FOOTREST.....	G-05	FUEL TANK.....	G-07	MUFFLER.....	C-08	REAR WHEEL.....	L-04	TAIL LAMP.....	F-06		



MODEL/ YEAR F/85	SET-UP MANUAL 99505-	SERVICE MANUAL 99500-	SERVICE MANUAL SUPPLEMENT 99501-	OWNERS MANUAL 99011-	SERVICE MANUAL SUPPLEMENT 99016-	OWNERS MAINTENANCE MANUAL 99011-
FA50F	NLA	10067-03E		02226-03A		
JR50F	NLA	20160-01E		NLA		
SP250F	NLA	42002-03E (4)		38223-03A		
SP600F	NLA	NLA		14A20-03A		
DS90F	NLA	20019-03E		03427-03A		
DR100F	NLA	41034-03E (4)		NLA		
DR250F	NLA	42002-03E (4)		NLA		
RM80F	NLA					20923-03A
RM125F	NLA					14621-03A
RM250F	NLA					14621-03A
GN250F	NLA	32023-03E (4)		38323-03A		
GS300LF	NLA	32013-03E (4)		NLA		
GS450LF	NLA	34025-03F (4)		44932-03A		
GS450GAF	NLA	34041-03E (4)		NLA		
GS550EF	NLA	35012-03E (4)		43422-03A		
GS550ESF	NLA	35012-03E (4)		43422-03A		
GS550LF	NLA	35012-03E (4)		43532-03A		
GS700EF	NLA	37022-03E (4)		NLA		
GS700ESF	NLA	J7022-03E (4)		NLA		
GS1150EF	NLA	39032-03E (4)		NLA		
GS1150ESF	NLA	39032-03E (4)		NLA		
GV700GLF	NLA	36040-03E (4)		07A20-03A		
GV1200GLF	NLA	39041-03E (4)		NLA USE "G" MODEL		
ALT125F	NLA	41022-03E		24322-03A		
ALT185F	NLA	41060-01E		24330-03A		
LT50F	NLA	20125-03E		04231-03A		
LT125F	NLA	41013-03E		18922-03A		
LT185F	NLA	41054-01E		24421-03A		
LT230GEF	NLA	42022-01E		18A20-03A		
LT230SF	NLA	42034-01E		22A20-03A		
LT250EF	NLA	42011-01E		24520-03A		
LT250EFF	NLA	42011-01E		24520-00A		
LT250RF	NLA	22041-01E		19A20-03A		

(1) - SERVICE MANUAL SUPPLEMENT FOR THIS YEAR MODEL IS ALREADY INCLUDED IN THE LATEST VERSION OF THE SERVICE MANUAL, BUT IS STILL AVAILABLE SEPARATELY.  
(2) - USE THIS OWNER'S MANUAL AS A GUIDE ONLY. (3) - USE THE PREFIX GIVEN INSTEAD OF THE ONE AT THE TOP OF THE COLUMN. (4) - THIS MANUAL REQUIRES BINDER # 99928-01841. NOTE: ATV SERVICE MANUALS ARE BOUND AND DO NOT REQUIRE A BINDER, HOWEVER, SEVERAL CAN BE STORED TOGETHER IN BINDER #99928-01842.

MODEL/ YEAR E/84	SET-UP MANUAL 99505-	SERVICE MANUAL 99500-	SERVICE MANUAL SUPPLEMENT 99501-	OWNERS MANUAL 99011-	OWNERS MANUAL SUPPLEMENT 99016-	OWNERS MAINTENANCE MANUAL 99011-
FA50E	NLA	10067-03E		NLA USE "F" MODEL (2)		
ALT50E	NLA	NLA		04630-03A		
ALT125E	NLA	41022-03E		NLA		
LT50E	NLA	20125-03E		04230-03A		
LT125E	NLA	41013-03E		18921-03A		
LT185E	NLA	41054-01E		24420-03A		
DR100E	NLA	41034-03E (4)		NLA		
DR125E	NLA	41001-03E (4)		05232-03A		
RM80E	NLA					20922-03A
RM125E	NLA					14520-03A
RM250E	NLA					NLA
RM500E	NLA					14223-03A
PE175E	NLA					NLA
GS550ESE	NLA	35012-03E (4)		43421-03A		
GS1100GKE	NLA	39022-03E (4)		49432-03A		
GS1150ESE	NLA	39032-03E (4)		NLA		

(1) - SERVICE MANUAL SUPPLEMENT FOR THIS YEAR MODEL IS ALREADY INCLUDED IN THE LATEST VERSION OF THE SERVICE MANUAL, BUT IT IS STILL AVAILABLE SEPARATELY.  
(2) - USE THIS OWNER'S MANUAL AS A GUIDE ONLY. (3) - USE THE PREFIX GIVEN INSTEAD OF THE ONE AT THE TOP OF THE COLUMN. (4) - THIS MANUAL REQUIRES BINDER # 99928-01841. NOTE: ATV SERVICE MANUALS ARE BOUND AND DO NOT REQUIRE A BINDER, HOWEVER, SEVERAL CAN BE STORED TOGETHER IN BINDER #99928-01842.

AIR CLEANER.....	C-07
ALTERNATOR.....	E-03
BATTERY.....	E-06
CAM SHAFT.....	C-03
CAM SHAFT / VALVE.....	C-02
CANISTER.....	H-02
CARBURETOR FITTING.....	C-06
CARBURETOR.....	C-04
CLUTCH MASTER CYLIND.....	K-07
CLUTCH.....	D-02

COWLING BODY.....	H-02
COWLING INSTALLATION.....	H-04
CRANKCASE COVER.....	B-08
CRANKCASE.....	B-06
CRANKSHAFT.....	B-11
CYLINDER HEAD COVER.....	B-03
CYLINDER HEAD.....	B-04
CYLINDER.....	B-05
ELECTRICAL.....	E-05
FOOTREST.....	G-05

FRAME COVER.....	H-03
FRAME.....	G-02
FRONT BRAKE HOSE.....	K-04
FRONT CALIPERS.....	K-03
FRONT DAMPER.....	J-07
FRONT FENDER.....	H-07
FRONT MASTER CYLINDER.....	K-05
FRONT WHEEL.....	K-02
FUEL COCK.....	G-09
FUEL TANK.....	G-07

GASKET SET.....	B-02
GEAR SHIFTING.....	D-06
HANDLE LEVER.....	H-10
HANDLE SWITCH.....	F-09
HANDLEBAR.....	H-09
HEADLAMP HOUSING.....	H-06
HEADLAMP.....	F-02
LABEL.....	F-05
MANUAL BOX.....	H-05
MUFFLER.....	C-08

OIL COOLER.....	C-09
OIL PAN.....	B-09
OIL PUMP.....	B-10
OPTIONAL.....	L-07
REAR CALIPER.....	L-05
REAR CUSHION LEVER.....	L-03
REAR FENDER.....	H-11
REAR MASTER CYLINDER.....	L-08
REAR SWINGING ARM.....	L-02
REAR WHEEL.....	L-04

SEAT TAIL COVER.....	J-03
SEAT.....	J-02
SECOND AIR.....	C-10
SIGNAL GENERATOR.....	E-04
SPEEDOMETER.....	E-07
STAND.....	G-04
STARTER CLUTCH.....	B-12
STARTING MOTOR.....	E-02
STEERING STEM.....	J-08
TAIL LAMP.....	F-06

TRANSMISSION.....	D-04
TURN SIGNAL LAMP.....	F-04
WIRING HARNESS.....	F-07

MODEL/ YEAR D/83	SET-UP MANUAL 99505-	SERVICE MANUAL 99500-	SERVICE MANUAL SUPPLEMENT 99501-	OWNERS MANUAL 99011-	OWNERS MANUAL SUPPLEMENT 99016-	OWNERS MAINTENANCE MANUAL 99011-
ALT50	NLA	NLA		04830-03A		
ALT125	NLA	41022-03F		NLA		
DR1000	NLA	41034-03E (4)		NLA		
DR1250	NLA	41001-03E (4)		NLA-USE "E" MODEL (2)		
DR2500	NLA	42002-03E (4)		38231-03A		
DR5000	NLA	NLA		NLA		
DS800	NLA	20019-03E		NLA-USE "F" MODEL (2)		
FA500	NLA	10067-03E (4)		NLA-USE "F" MODEL (2)		
FZ500	NLA	10054-03E (4)		NLA		
GN1250	NLA	31008-03E (4)		05321-03A		
GN2500	NLA	32023-03E (4)		38231-03A		
GN4500	NLA	36031-03E (4)		15520-03A		
GN650XD	NLA	36031-03E (4)		15520-03A		
GS300LD	NLA	32013-03E (4)		11921-03A		
GS450ED	NLA	34025-03E (4)		44430-03A		
GS450GAD	NLA	34041-03E (4)		NLA		
GS450LD	NLA	34025-03E (4)		44930-03A		
GS450TXD	NLA	34025-03E (4)		44740-02A		
GS550ED	NLA	36012-03E (4)		43420-03A		
GS550ESD	NLA	36012-03E (4)		43420-03A		
GS550LD	NLA	36012-03E (4)		43830-03A		
GS550PD	NLA	36002-03E (4)		34222-03A		
GS550GLD	NLA	36002-03E (4)		NLA		
GS550MD	NLA	36002-03E (4)		NLA		
GS750ED	NLA	37022-03E (4)		31320-03A		
GS750ESD	NLA	37022-03E (4)		31320-03A		
GS750SD	NLA	37013-03E (4)		48521-03A		
GS750TD	NLA	37013-03E (4)		NLA		
GS850GD	NLA	38002-03E (4)		NLA		
GS850GLD	NLA	38002-03E (4)		NLA		
GS1100ESD	NLA	39012-03E (4)		49521-03A		
GS1100ESD	NLA	39012-03E (4)		NLA		
GS1100GSD	NLA	39022-03E (4)		NLA		
GS1100GLD	NLA	39022-03E (4)		49071-03A		
GS1100GRD	NLA	39022-03E (4)		NLA		
GS1100PSD	NLA	39012-03E (4)		NLA		
JRS500	NLA	20160-01E (4)		NLA		
LT1250	NLA	41013-03E		NLA-USE "E" MODEL (2)		
PE1750	NLA					NLA
RM600	NLA					NLA
RM800	NLA					NLA-USE "E" MODEL (2)
RM1250	NLA					14123-03A
RM2500	NLA					14321-03A
RM5000	NLA					NLA-USE "E" MODEL (2)
SP1000	NLA	41034-03E (4)		05240-03A		
SP1250	NLA	41001-03E (4)		05221-03A		
SP2500	NLA	42002-03E (4)		NLA		
SP5000	NLA			NLA		
XN950	NLA	NLA		NLA		

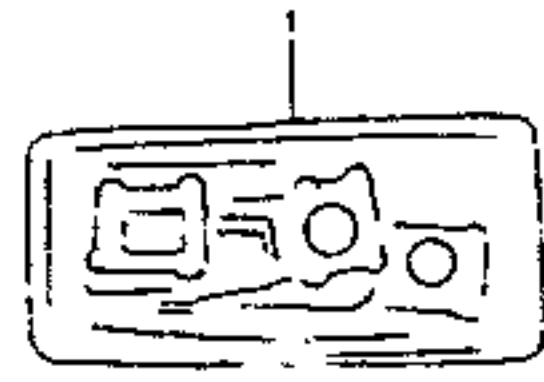
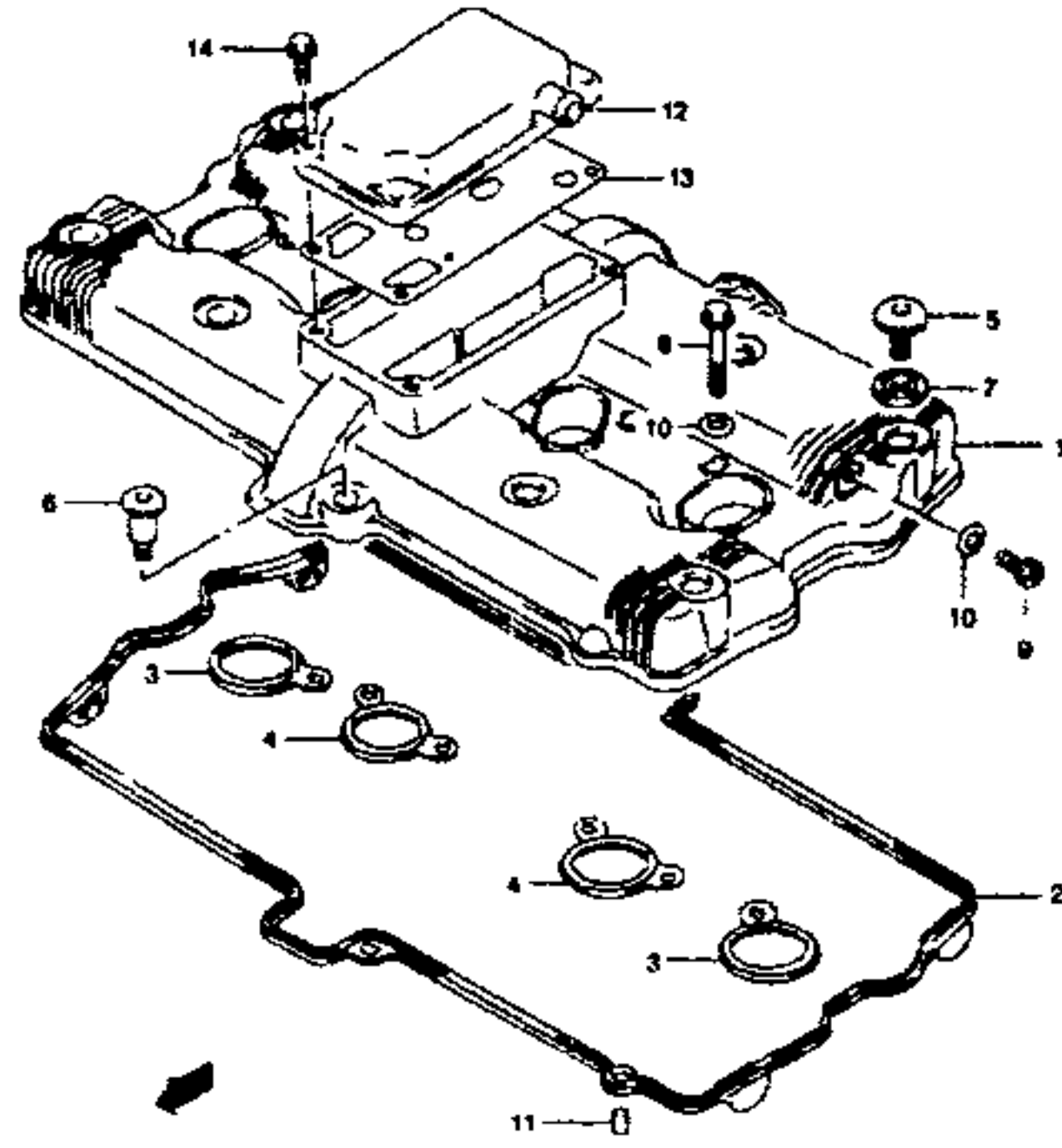
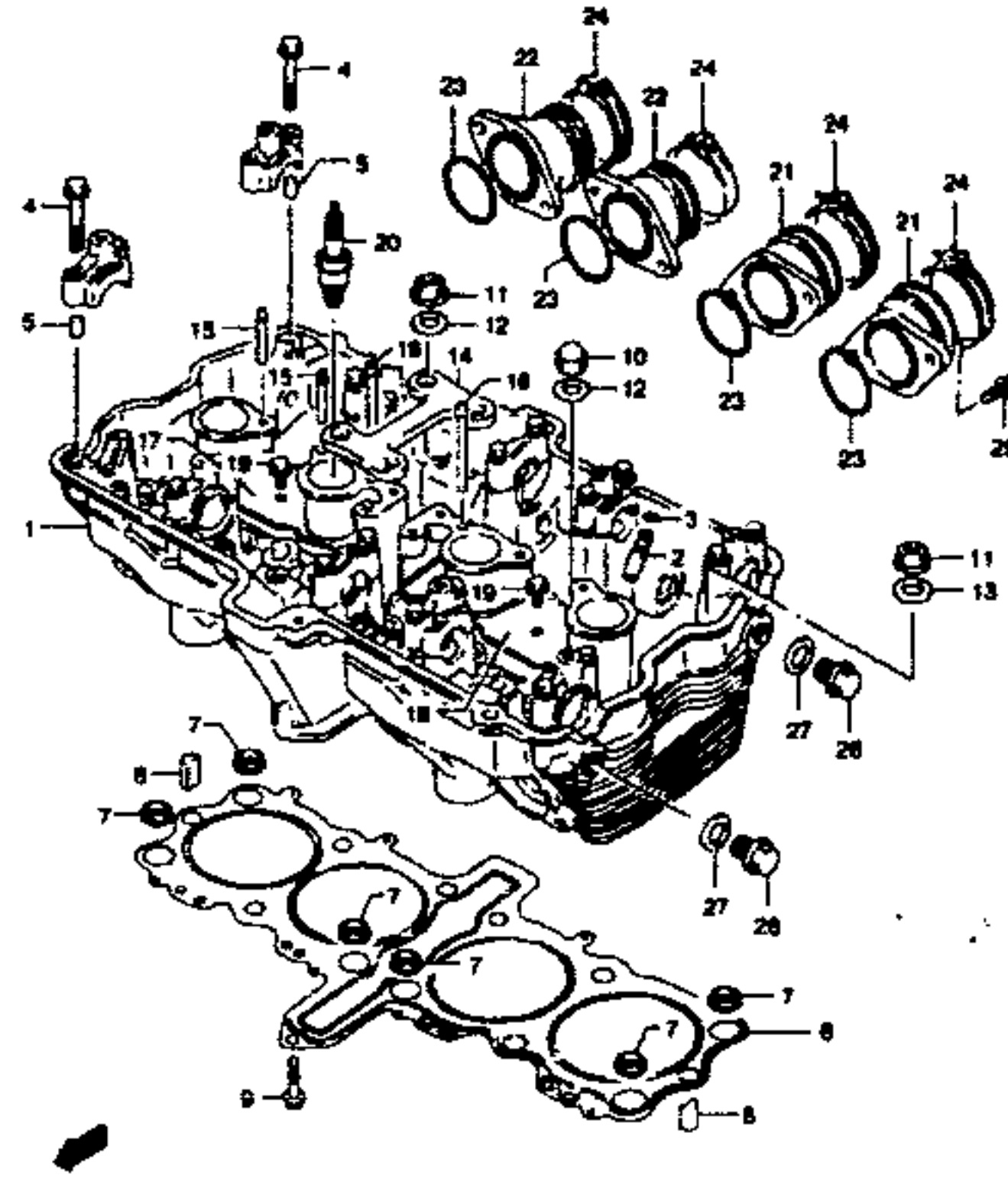
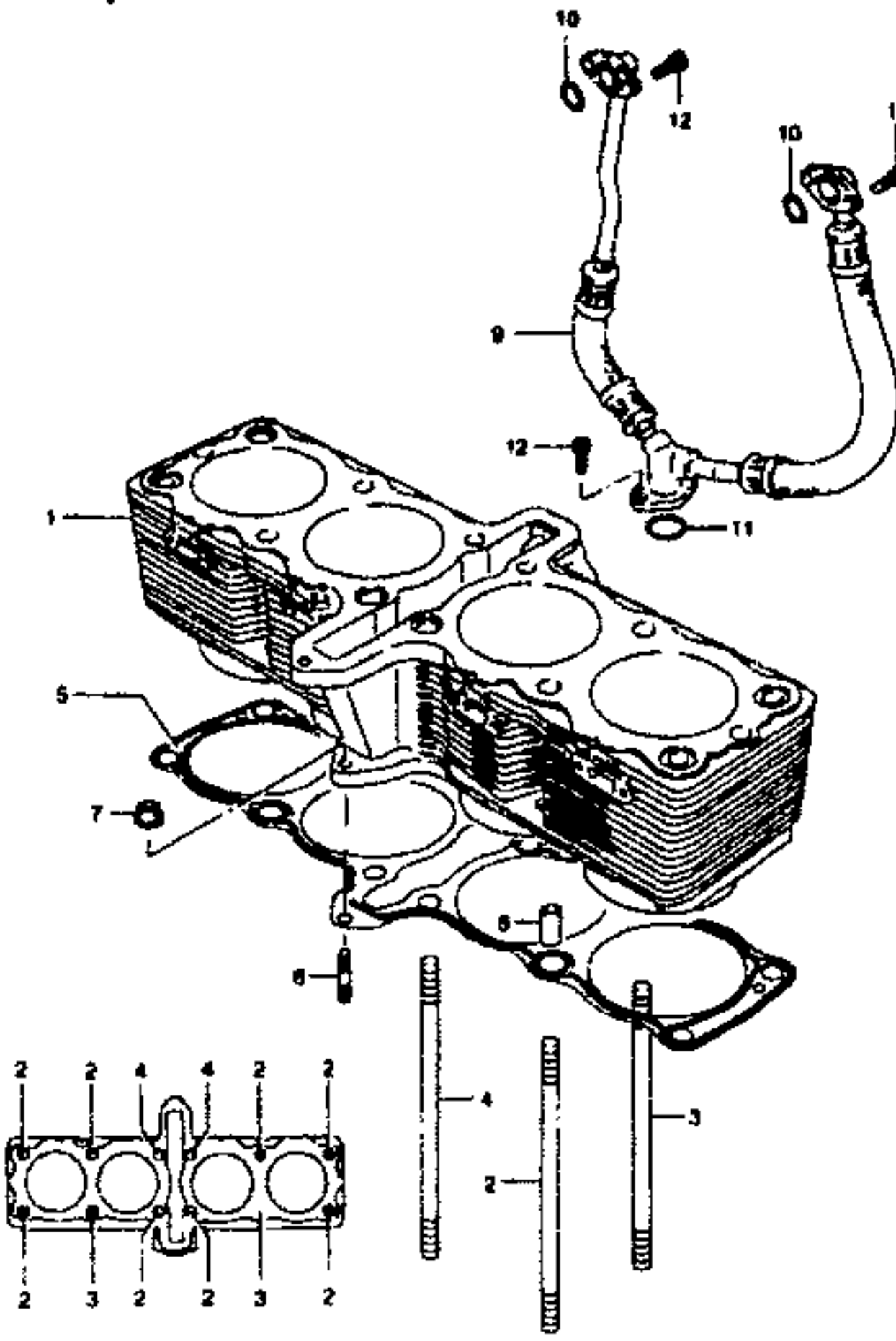
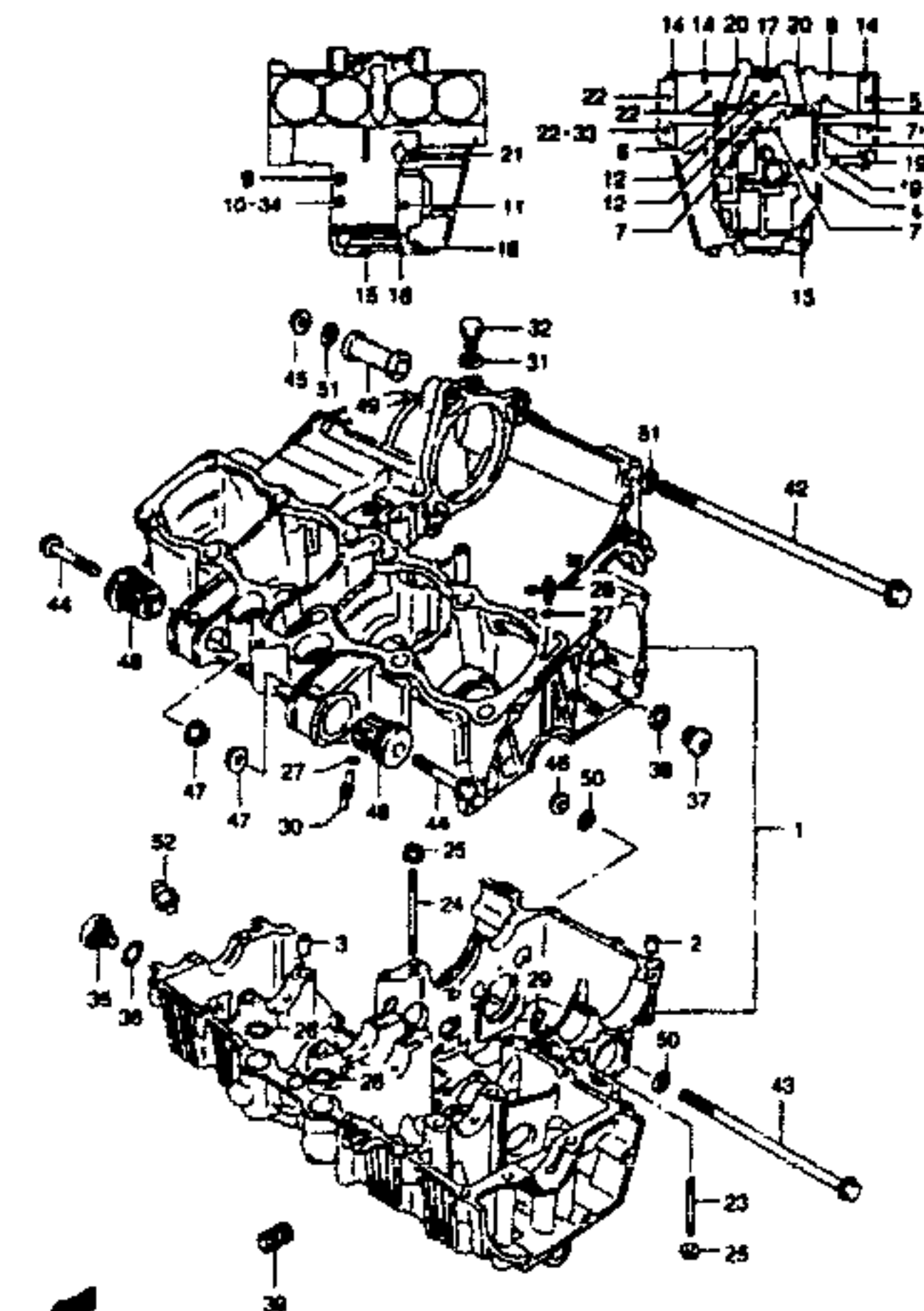
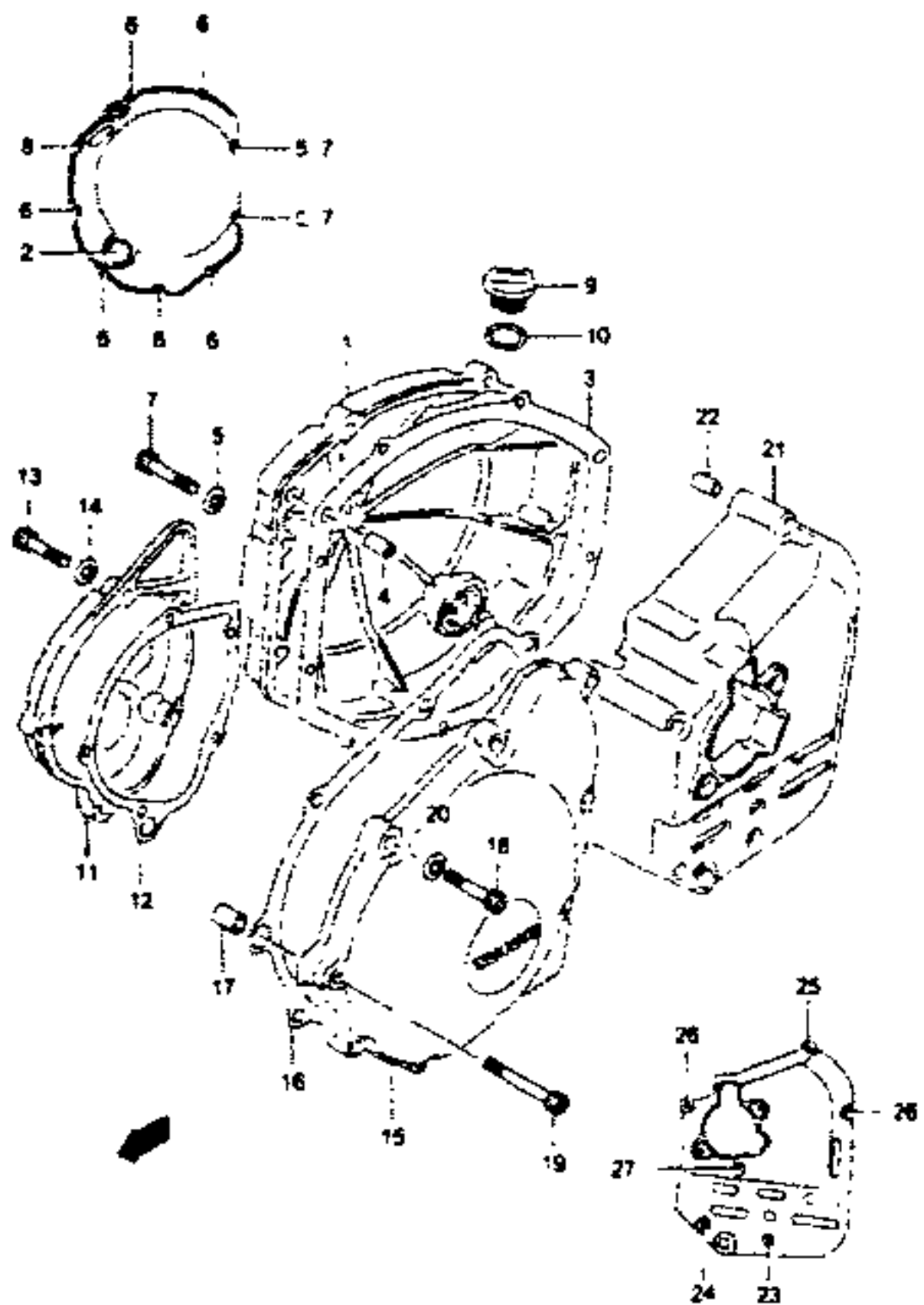
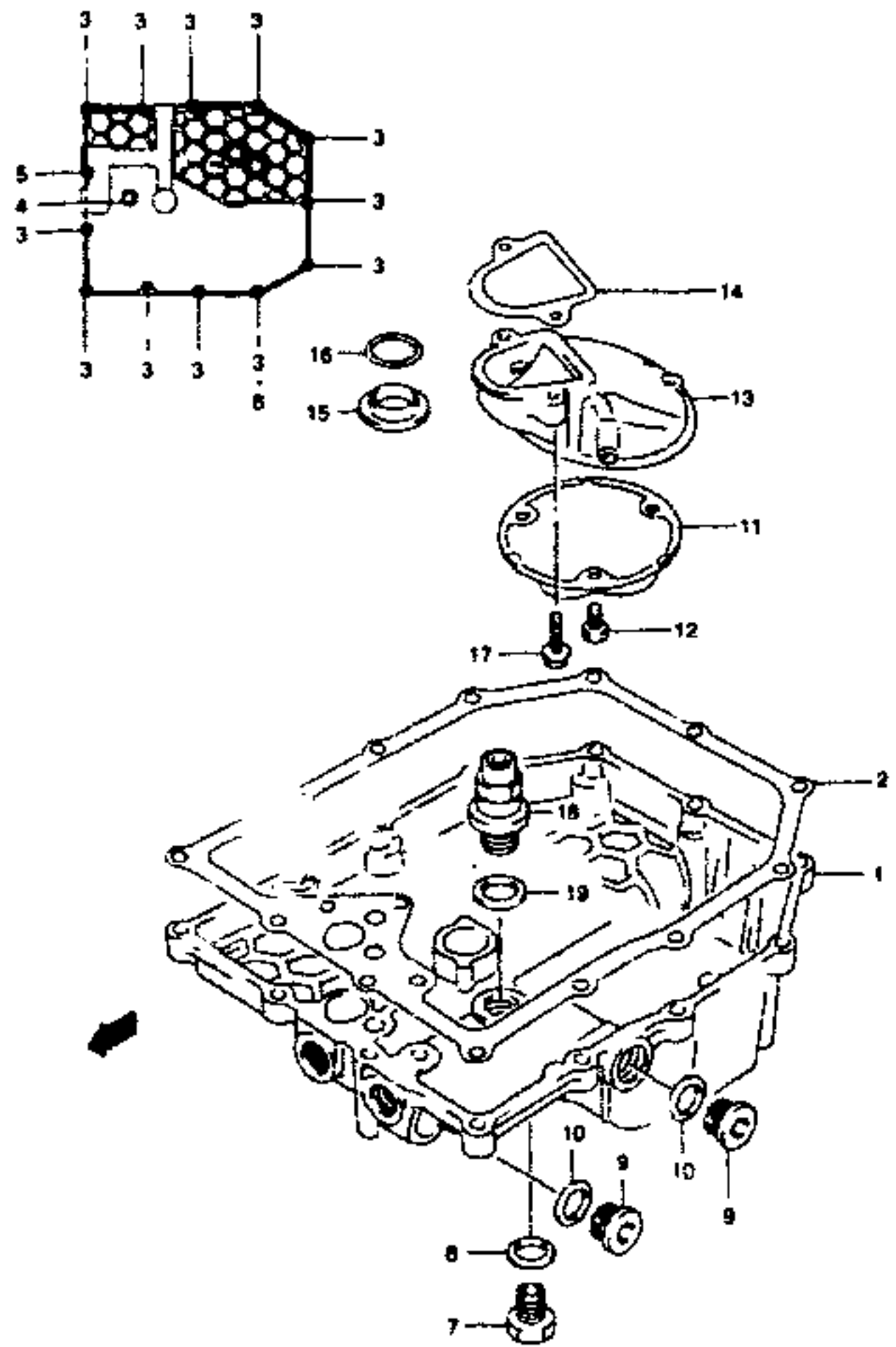
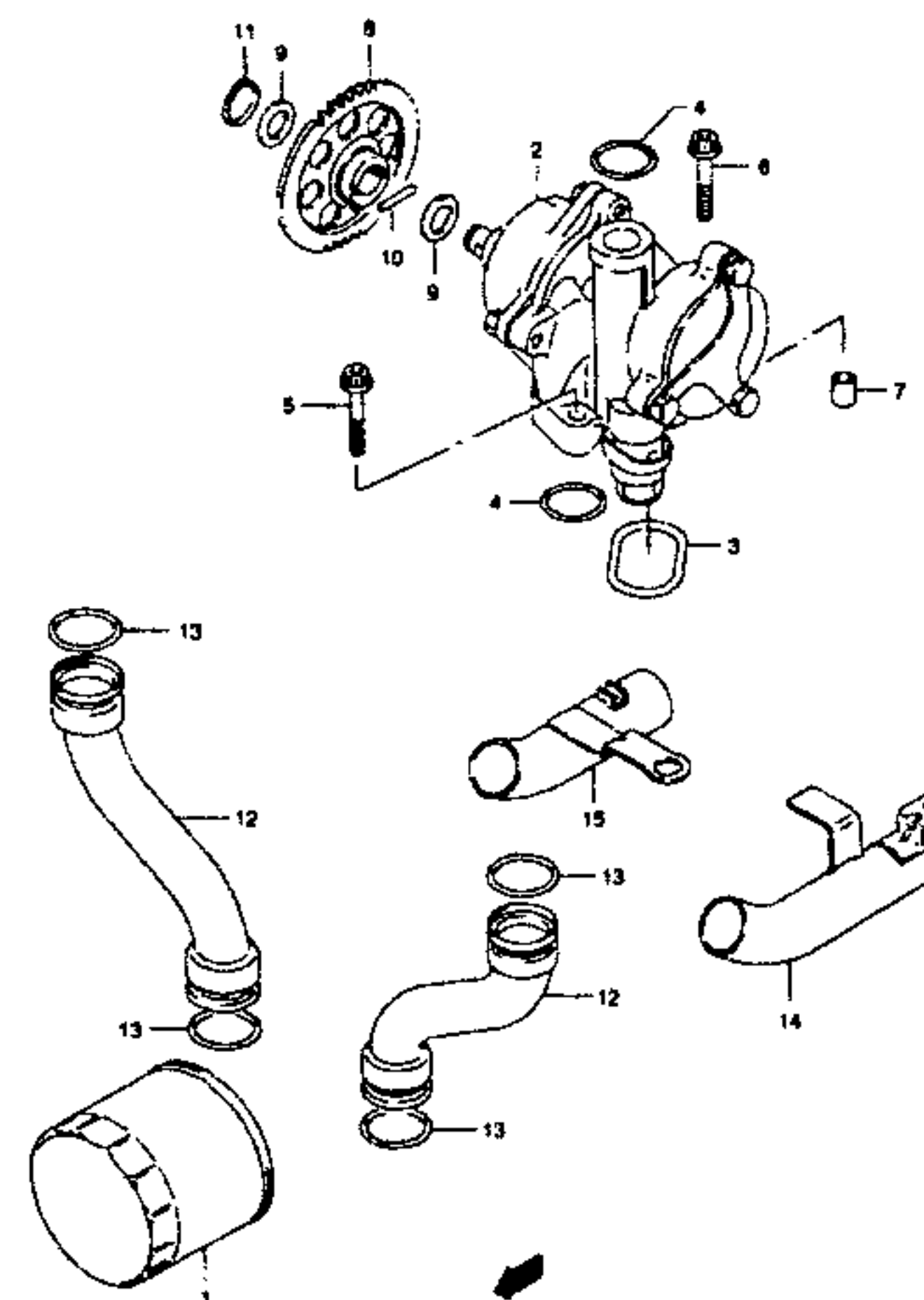
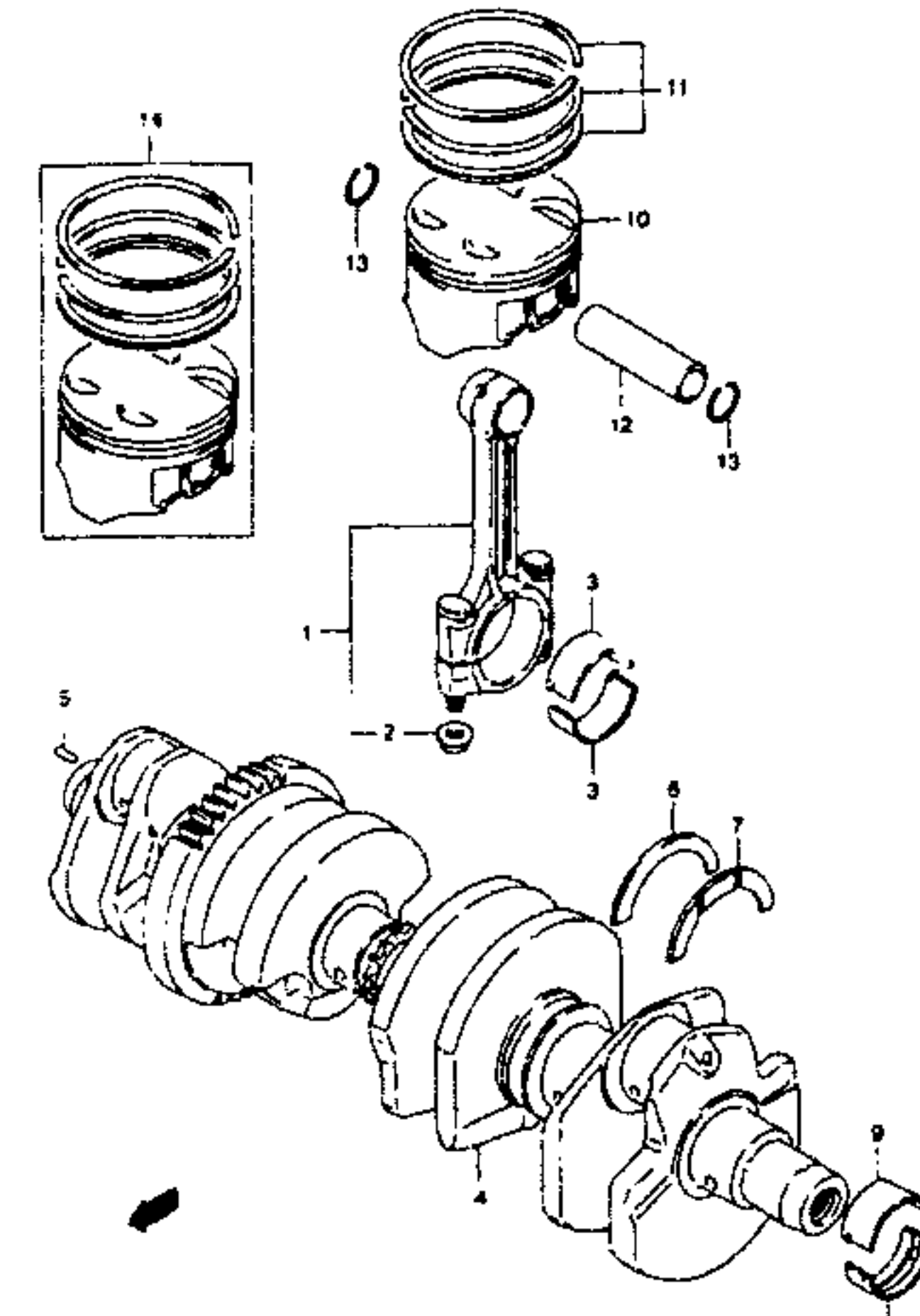
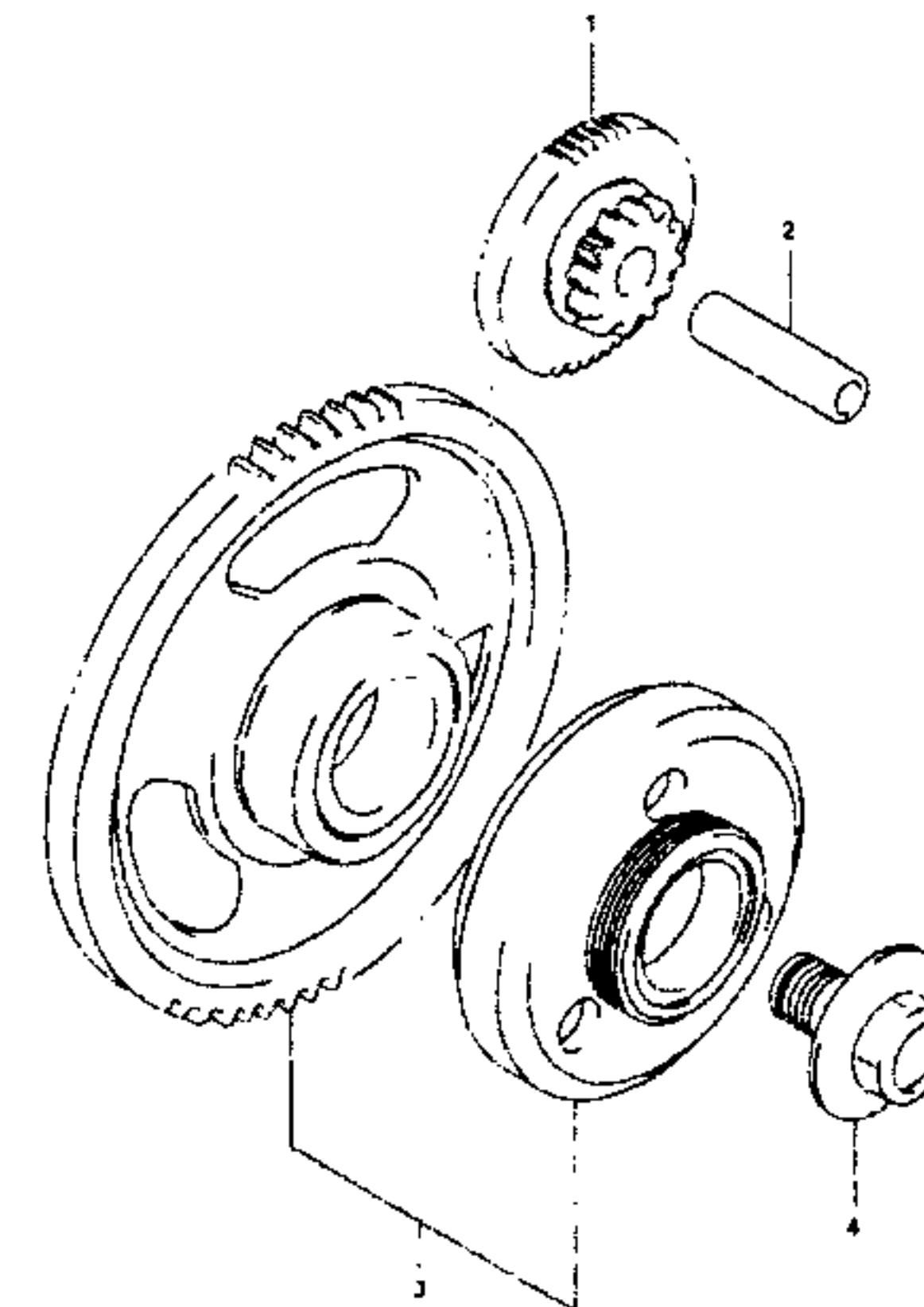
(1) - SERVICE MANUAL SUPPLEMENT FOR THIS YEAR MODEL IS ALREADY INCLUDED IN THE LATEST VERSION OF THE SERVICE MANUAL, BUT IS STILL AVAILABLE SEPARATELY.  
(2) - USE THIS OWNER'S MANUAL AS A GUIDE ONLY. (3) - USE THE PREFIX GIVEN INSTEAD OF THE ONE AT THE TOP OF THE COLUMN. (4) - THIS MANUAL REQUIRES BINDER # 99935-01841. NOTE: ATV SERVICE MANUALS ARE BOUND AND DO NOT REQUIRE A BINDER, HOWEVER, SEVERAL CAN BE STORED TOGETHER IN BINDER #99935-01842.

MODEL/ YEAR Z/82	SET-UP MANUAL 99505-	SERVICE MANUAL 99500-	SERVICE MAN. SUPPLEMENT 99501-	OWNERS MANUAL 99011-	OWNERS MANUAL SUPPLEMENT 99016-	OWNERS MAINTENANCE MANUAL 99011-
DR125Z	NLA	41001-03E (4)		NLA-USE "E" MODEL (2)		
DR250Z	NLA	42002-03E (4)		NLA-USE "D" MODEL (2)		
DR500Z	NLA	NLA		NLA		
DS80Z	NLA	20019-03E		48432-03A		
FA50Z	NLA	10067-03E		NLA-USE "F" MODEL (2)		
FZ50Z	NLA	10054-03E		NLA		
GN125Z	NLA	31008-03E (4)		NLA-USE "D" MODEL (2)		
GN250Z	NLA	32023-03E (4)		NLA-USE "F" MODEL (2)		
GN400TZ	NLA	NLA		37322-03A		
GS300LZ	NLA	32013-03E (4)		NLA-USE "F" MODEL (2)		
GS450EZ	NLA	34025-03E (4)		44123-03A		
GS450LZ	NLA	34025-03E (4)		NLA		
GS450TZ	NLA	34025-03E (4)		44321-03A		
GS450TXZ	NLA	34025-03E (4)		44321-03A		
GS450GAZ	NLA	34041-03E (4)		NLA		
GS550LZ	NLA	35003-01E (4)		NLA		
GS550MZ	NLA	35003-01E (4)		47721-03A		
GS650EZ	NLA	36011-03E (4)		34521-03A		
GS650GZ	NLA	36002-03E (4)		NLA-USE "D" MODEL (2)		
GS650GLZ	NLA	36002-03E (4)		NLA		
GS750EZ	NLA	37013-03E (4)		NLA		
GS750TZ	NLA	37013-03E (4)		NLA-USE "D" MODEL (2)		
GS850GZ	NLA	38002-03E (4)		NLA-USE "D" MODEL (2)		
GS850GLZ	NLA	38002-03E (4)		NLA-USE "D" MODEL (2)		
GS1000SZ	NLA	39012-03E (4)		NLA		
GS1100EZ	NLA	39012-03E (4)		NLA-USE "D" MODEL (2)		
GS1100GZ	NLA	39022-03E (4)		NLA		
GS1100GLZ	NLA	39022-03E (4)		NLA-USE "D" MODEL (2)		
GS1100GKZ	NLA	39022-03E (4)		NLA		
JRS50Z	NLA	20160-01E (4)		NLA		
PE175Z	NLA					NLA
RM60Z	NLA					NLA
RM80Z	NLA					20420-03A
RM125Z	NLA					NLA
RM250Z	NLA					NLA-USE "D" MODEL (2)
RM485Z	NLA					NLA
RS175Z	NLA					NLA
SP125Z	NLA	41001-03E (4)		NLA		
SP250Z	NLA	42002-03E (4)		NLA		
SP500Z	NLA	NLA		NLA-USE "D" MODEL (2)		

(1) - SERVICE MANUAL SUPPLEMENT FOR THIS YEAR MODEL IS ALREADY INCLUDED IN THE LATEST VERSION OF THE SERVICE MANUAL, BUT IS STILL AVAILABLE SEPARATELY.  
(2) - USE THIS OWNER'S MANUAL AS A GUIDE ONLY. (3) - USE THE PREFIX GIVEN INSTEAD OF THE ONE AT THE TOP OF THE COLUMN. (4) - THIS MANUAL REQUIRES BINDER # 99935-01841. NOTE: ATV SERVICE MANUALS ARE BOUND AND DO NOT REQUIRE A BINDER, HOWEVER, SEVERAL CAN BE STORED TOGETHER IN BINDER #99935-01842.

AIR CLEANER.....	C-07	COWLING BODY.....	H-02	FRAME COVER.....	H-03	GASKET SET.....	B-02	OIL COOLER.....	C-08	SEAT TAIL COVER.....	J-03	TRANSMISSION.....	D-04
ALTERNATOR.....	E-03	COWLING INSTALLATIO.....	H-04	FRAME.....	G-02	GEAR SHIFTING.....	D-06	OIL PAN.....	B-09	SEAT.....	J-02	TURN SIGNAL LAMP.....	F-04
BATTERY.....	E-06	CRANKCASE COVER.....	B-08	FRONT BRAKE HOSE.....	K-04	HANDLE LEVER.....	H-10	OIL PUMP.....	B-10	SECOND AIR.....	C-10	WIRING HARNESS.....	F-07
CAM CHAIN.....	C-03	CRANKCASE.....	B-06	FRONT CALIPERS.....	K-03	HANDLE SWITCH.....	F-09	OPTIONAL.....	L-07	SIGNAL GENERATOR.....	E-04		
CAM SHAFT / VALVE.....	C-02	CRANKSHAFT.....	B-11	FRONT DAMPER.....	J-07	HANDLEBAR.....	H-09	REAR CALIPER.....	L-05	SPEEDOMETER.....	E-07		
CANISTER.....	H-02	CYLINDER HEAD COVER.....	B-03	FRONT FENDER.....	H-07	HEADLAMP HOUSING.....	H-08	REAR CUSHION LEVER.....	L-03	STAND.....	G-04		
CARBURETOR FITTING.....	C-08	CYLINDER HEAD.....	B-04	FRONT MASTER CYLIND.....	K-05	HEADLAMP.....	F-02	REAR FENDER.....	H-11	STARTER CLUTCH.....	B-12		
CARBURETOR.....	C-04	CYLINDER.....	B-05	FRONT WHEEL.....	K-02	LABEL.....	H-05	REAR MASTER CYLIND.....	L-06	STARTING MOTOR.....	E-02		
CLUTCH MASTER CYLIN.....	K-07	ELECTRICAL.....	E-05	FUEL COCK.....	G-09	MANUAL BOX.....	H-05	REAR SWINGING ARM.....	L-02	STEERING STEM.....	J-08		
CLUTCH.....	D-02	FOOTREST.....	G-05	FUEL TANK.....	G-07	MUFFLER.....	C-08	REAR WHEEL.....	L-04	TAIL LAMP.....	F-06		

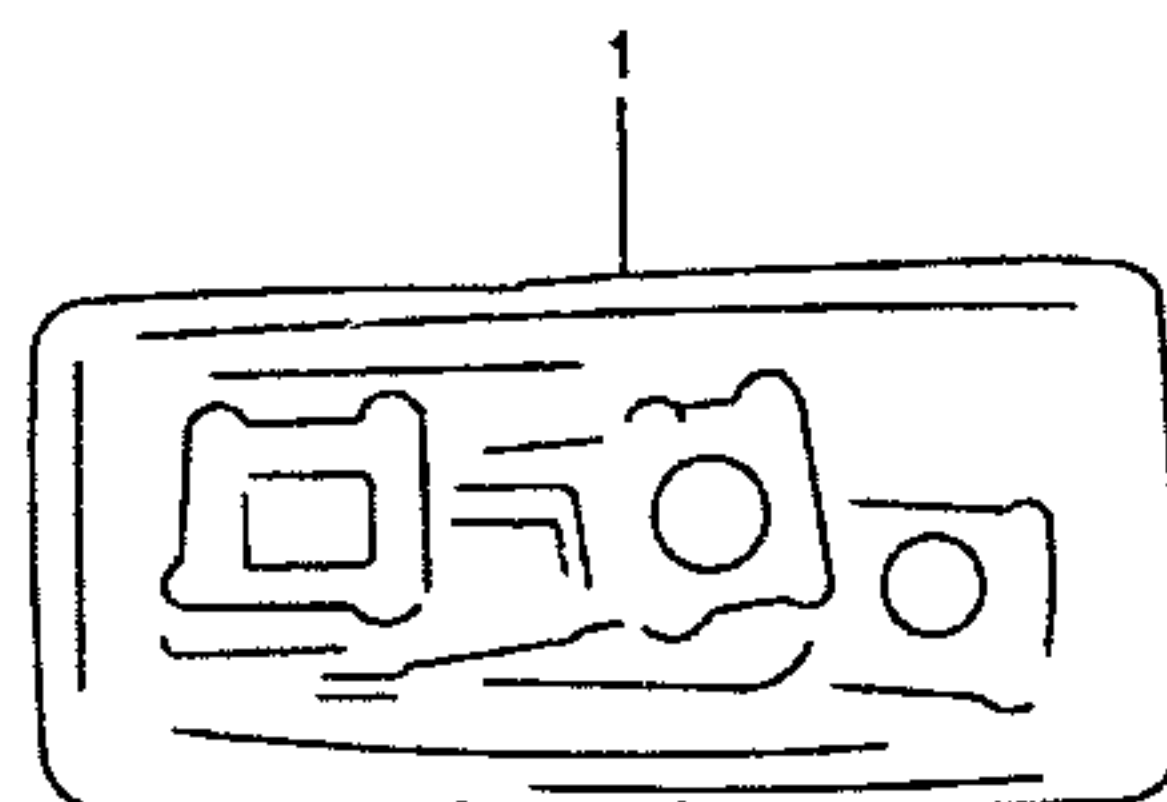


**FIG.1**GSF1200SK1 E03 E28\_00\*  
GASKET SET**B 2****FIG.1A**GSF1200SK1 E03 E28\_001A  
CYLINDER HEAD COVER**B 3****FIG.2**GSF1200SK1 E03 E28\_002  
CYLINDER HEAD**B 4****FIG.3**GSF1200SK1 E03 E28\_003  
CYLINDER**B 5****FIG.4**GSF1200SK1 E03 E28\_004  
CRANKCASE**B 6****FIG.5**GSF1200SK1 E03 E28\_005  
CRANKCASE COVER**B 8****FIG.6**GSF1200SK1 E03 E28\_006  
OIL PAN**B 9****FIG.7**GSF1200SK1 E03 E28\_007  
OIL PUMP**B 10****FIG.8**GSF1200SK1 E03 E28\_008  
CRANKSHAFT**B 11****FIG.9**GSF1200SK1 E03 E28\_009  
STARTER CLUTCH**B 12****B 1**

AIR CLEANER.....	C-07	COWLING BODY.....	I-02	FRAME COVER.....	H-03	GASKET SET.....	B-02	OIL COOLER.....	C-09	SEAT TAIL COVER.....	J-03	TRANSMISSION.....	D-04
ALTERNATOR.....	E-03	COWLING INSTALLATIO	I-04	FRAME.....	G-02	GEAR SHIFTING.....	D-06	OIL PAN.....	B-09	SEAT.....	J-02	TURN SIGNAL LAMP...	F-04
BATTERY.....	E-08	CRANKCASE COVER.....	B-08	FRONT BRAKE HOSE...	K-04	HANDLE LEVER.....	H-10	OIL PUMP.....	B-10	SECOND AIR.....	C-10	WIPING HARNESS.....	F-07
CAM CHAIN.....	C-03	CRANKCASE.....	B-06	FRONT CALIPERS.....	K-03	HANDLE SWITCH.....	F-09	OPTIONAL.....	L-07	SIGNAL GENERATOR...	E-04		
CAM SHAFT / VALVE..	C-02	CRANKSHAFT.....	B-11	FRONT DAMPER.....	J-07	HANDLEBAR.....	H-09	REAR CALIPER.....	L-02	SPEEDOMETER.....	E-07		
CANISTER.....	H-02	CYLINDER HEAD COVER	B-03	FRONT FENDER.....	H-07	HEADLAMP HOUSING...	H-06	REAR CUSHION LEVER	L-03	STAND.....	G-04		
CARBURETOR FITTING	C-08	CYLINDER HEAD.....	B-04	FRONT MASTER CYLIND	K-05	HEADLAMP.....	F-02	REAR FENDER.....	H-11	STARTER CLUTCH.....	B-12		
CARBURETOR.....	C-04	CYLINDER.....	B-05	FRONT WHEEL.....	K-02	LABEL.....	I-05	REAR MASTER CYLINDE	L-06	STARTING MOTOR.....	E-02		
CLUTCH MASTER CYLIN	K-07	ELECTRICAL.....	E-05	FUEL COCK.....	G-09	MANUAL BOX.....	H-05	REAR SWINGING ARM..	L-02	STEERING STEM.....	J-08		
CLUTCH.....	D-02	FOOTREST.....	G-05	FUEL TANK.....	G-07	MUFFLER.....	C-08	REAR WHEEL.....	L-04	TAIL LAMP.....	F-06		

FIG.1

Fig.1 ( B-2 ) GASKET SET



Ref #	Part Number	Description	Qty	Remarks
1	11400-32890	GASKET SET	1	OPT
2	11141-32F00	GASKET, CYLINDER HEAD	1	NOT SHOWN
3	11143-32F00	O RING, HEAD GASKET	5	NOT SHOWN
4	11173-06B02	GASKET, CYLINDER HEAD COVER	1	NOT SHOWN
5	11177-17E00	GASKET, BREATHER COVER	1	NOT SHOWN
6	11178-27A01	GASKET, HEAD COVER NO.2	2	NOT SHOWN
7	11179-27A02	GASKET, HEAD COVER NO.3	2	NOT SHOWN
8	11241-32F00	GASKET, CYLINDER	1	NOT SHOWN
9	11482-27A20	GASKET, CYLINDER COVER	1	NOT SHOWN
10	11483-48B20	GASKET, CYLINDER GEAR COVER	1	NOT SHOWN
11	11489-27A20	GASKET, OIL PAN	1	NOT SHOWN
12	11491-27A30	GASKET, SIGNAL GENERATOR COVE	1	NOT SHOWN
13	12837-27A10	GASKET, TENSIONER ADJUSTER	1	NOT SHOWN
14	14181-18C00	GASKET, EXHAUST PIPE	4	NOT SHOWN
15	16491-27A01	O RING, OIL PUMP	1	NOT SHOWN
16	16528-27A20	GASKET, OIL STRAINER PROTECTO	1	NOT SHOWN
17	16529-27A01	GASKET, OIL OUTLET	1	NOT SHOWN
18	09161-11008	WASHER	8	NOT SHOWN
19	09280-42003	O RING	4	NOT SHOWN

GSF1200SK1 E03 E28\_001  
GASKET SET

1 GSF1200, S K2 E3, E33

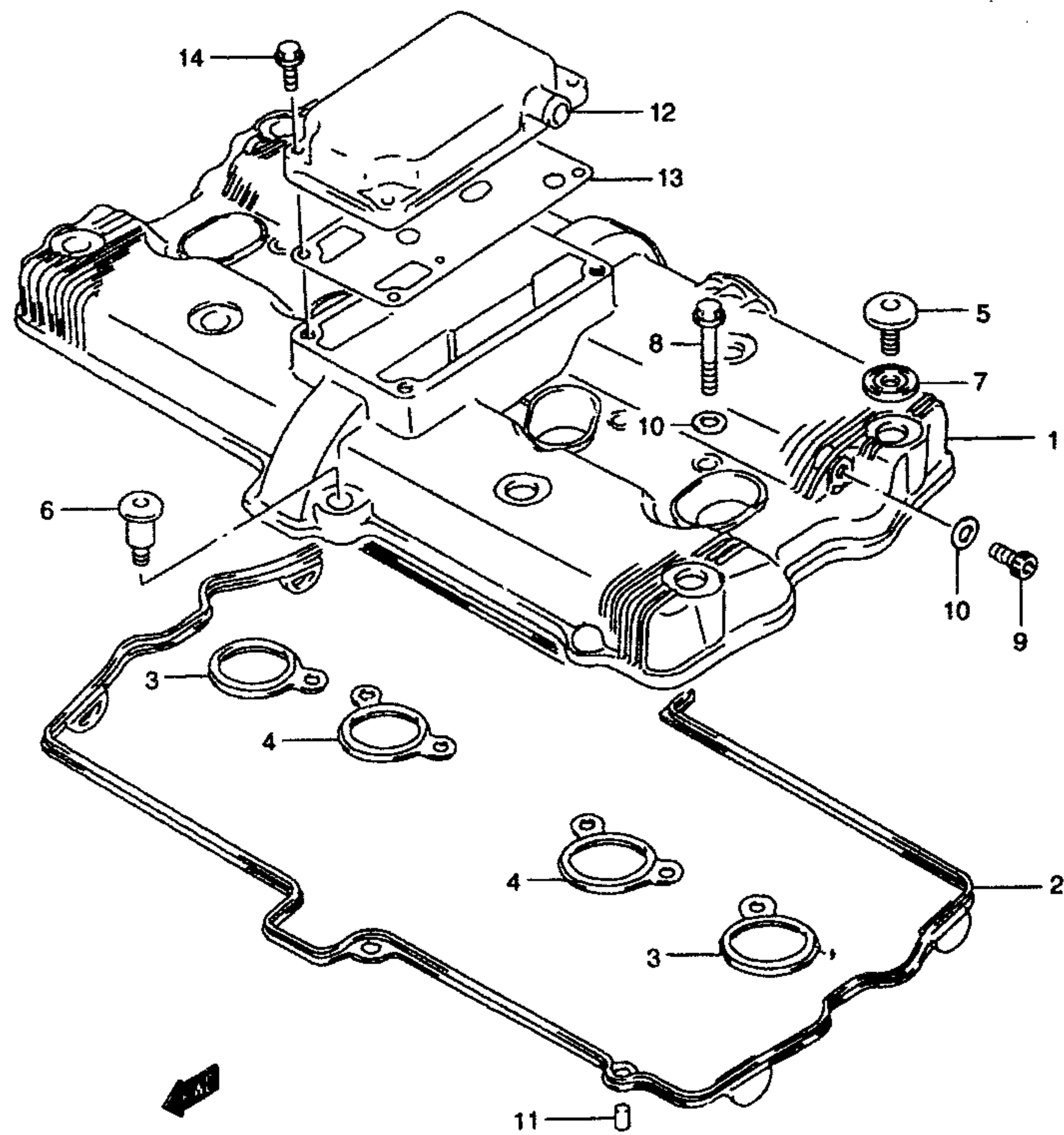
B 2

AIR CLEANER.....	C-07	COWLING BODY.....	H-02	FRAME COVER.....	H-03	GASKET SET.....	B-02	OIL COOLER.....	C-09	SEAT TAIL COVER.....	J-03	TRANSMISSION.....	D-04
ALTERNATOR.....	E-03	COWLING INSTALLATIO	H-04	FRAME.....	G-02	GEAR SHIFTING.....	D-06	OIL PAN.....	B-09	SEAT.....	J-02	TURN SIGNAL LAMP...	F-04
BATTERY.....	E-08	CRANKCASE COVER.....	B-08	FRONT BRAKE HOSE...	K-04	HANDLE LEVER.....	H-10	OIL PUMP.....	B-10	SECOND AIR.....	C-10	WIRING HARNESS.....	F-07
CAM CHAIN.....	C-03	CRANKCASE.....	B-06	FRONT CALIPERS.....	K-03	HANDLE SWITCH.....	F-09	OPTIONAL.....	L-07	SIGNAL GENERATOR...	E-04		
CAM SHAFT / VALVE..	C-02	CRANKSHAFT.....	B-11	FRONT DAMPER.....	J-07	HANDLEBAR.....	H-09	REAR CALIPER.....	L-05	SPEEDOMETER.....	E-07		
CANISTER.....	H-02	CYLINDER HEAD COVER	B-03	FRONT FENDER.....	H-07	HEADLAMP HOUSING..	H-06	REAR CUSHION LEVER.	L-03	STAND.....	G-04		
CARBURETOR FITTING.	C-06	CYLINDER HEAD.....	B-04	FRONT MASTER CYLIND	K-05	HEADLAMP.....	F-02	REAR FENDER.....	H-11	STARTER CLUTCH.....	B-12		
CARBURETOR.....	C-04	CYLINDER.....	B-05	FRONT WHEEL.....	K-02	LABEL.....	H-05	REAR MASTER CYLINDE	L-06	STARTING MOTOR.....	E-02		
CLUTCH MASTER CYLIN	K-07	ELECTRICAL.....	E-05	FUEL COCK.....	G-08	MANUAL BOX.....	H-05	REAR SWINGING ARM..	L-02	STEERING STEM.....	J-08		
CLUTCH.....	D-02	FOOTREST.....	G-05	FUEL TANK.....	G-07	MUFFLER.....	C-08	REAR WHEEL.....	L-04	TAIL LAMP.....	F-06		



FIG.1A

Fig.1A ( B-3 ) CYLINDER HEAD COVER



Ref #	Part Number	Description	Qty	Remarks
1	11171-27E00	COVER, CYLINDER HEAD	1	
2	11173-06B02	GASKET	1	
3	11178-27A01	GASKET, HEAD COVER NO.2	2	
4	11179-27A02	GASKET, HEAD COVER NO.3	2	
5	09106-07009	BOLT (L:5.5)	8	
6	09106-07010	BOLT (L:19)	2	
7	09161-11008	WASHER	8	
8	11181-27E00	BOLT, UNION	4	
9	07130-08123	BOLT	2	
10	09168-08029	GASKET (8.2X16X1)	6	
11	04221-08129	PIN	2	
12	11176-26D00	COVER, BREATHER	1	
13	11177-17E00	GASKET	1	
14	01550-06253	BOLT	4	

GSF1200SK1 E03 E28\_001A  
CYLINDER HEAD COVER

GSF1200, S K2 E3, E33

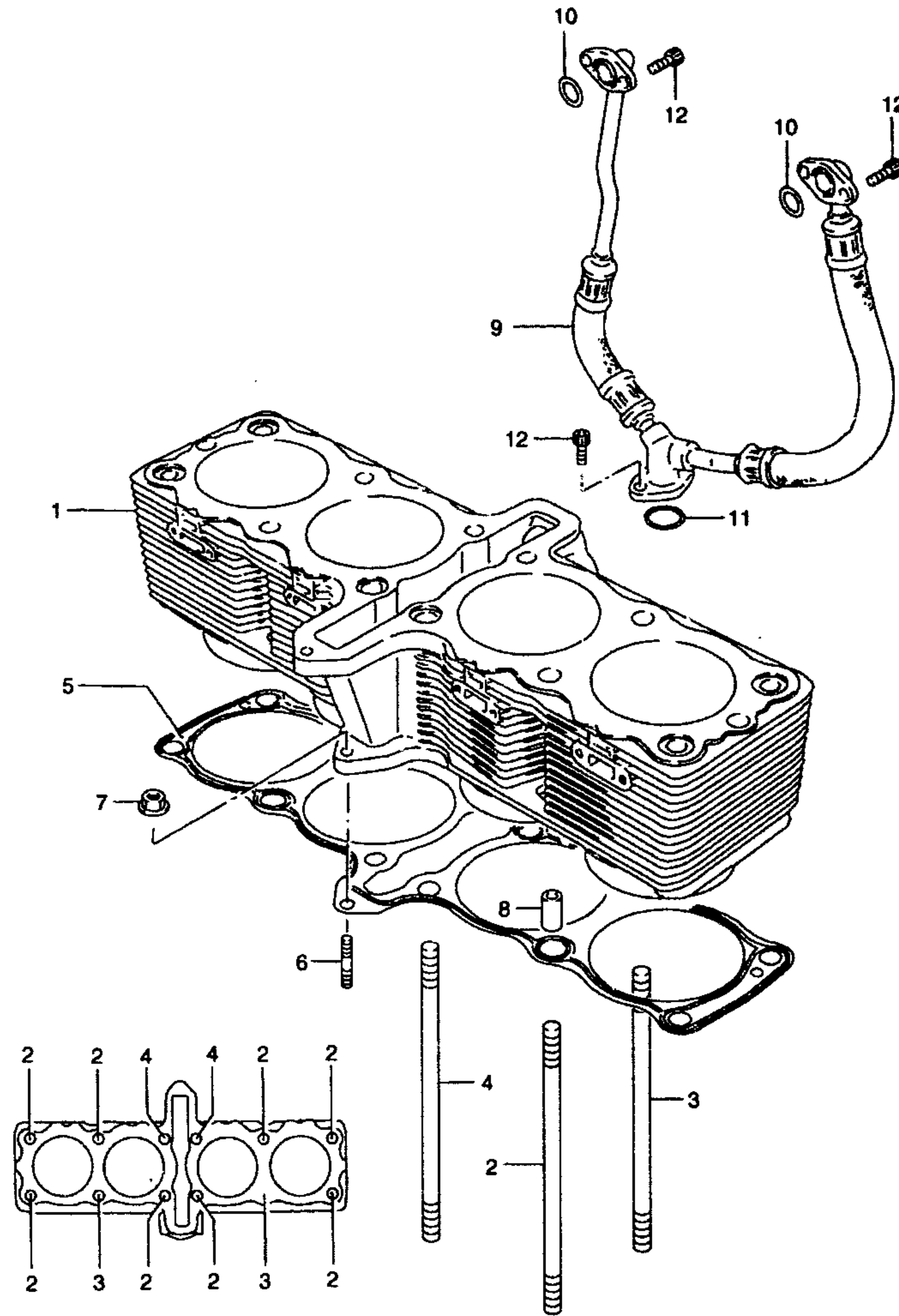
AIR CLEANER.....	C-07	COWLING BODY.....	H-02	FRAME COVER.....	H-03	GASKET SET.....	B-02	OIL COOLER.....	C-09	SEAT TAIL COVER....	J-03	TRANSMISSION.....	D-04
ALTERNATOR.....	E-03	COWLING INSTALLATIO	H-04	FRAME.....	G-02	GEAR SHIFTING.....	D-08	OIL PAN.....	B-09	SEAT.....	J-02	TURN SIGNAL LAMP...	F-04
BATTERY.....	E-06	CRANKCASE COVER.....	B-08	FRONT BRAKE HOSE...	K-04	HANDLE LEVER.....	H-10	OIL PUMP.....	B-10	SECOND AIR.....	C-10	WIRING HARNESS....	F-07
CAM CHAIN.....	C-03	CRANKCASE.....	B-06	FRONT CALIPERS.....	K-03	HANDLE SWITCH.....	F-09	OPTIONAL.....	L-07	SIGNAL GENERATOR...	E-04		
CAM SHAFT / VALVE..	C-02	CRANKSHAFT.....	B-11	FRONT DAMPER.....	J-07	HANDLEBAR.....	H-09	REAR CALIPER.....	L-05	SPEEDOMETER.....	E-07		
CANISTER.....	H-02	CYLINDER HEAD COVER	B-03	FRONT FENDER.....	H-07	HEADLAMP HOUSING..	H-08	REAR CUSHION LEVER	L-03	STAND.....	G-04		
CARBURETOR FITTING.	C-08	CYLINDER HEAD.....	B-04	FRONT MASTER CYLIND	K-05	HEADLAMP.....	F-02	REAR FENDER.....	H-11	STARTER CLUTCH....	B-12		
CARBURETOR.....	C-04	CYLINDER.....	B-05	FRONT WHEEL.....	K-02	LABEL.....	I-05	REAR MASTER CYLINDE	L-06	STARTING MOTOR....	E-02		
CLUTCH MASTER CYLIN	K-07	ELECTRICAL.....	E-05	FUEL COCK.....	G-09	MANUAL BOX.....	H-05	REAR SWINGING ARM..	L-02	STEERING STEM....	J-08		
CLUTCH.....	D-02	FOOTREST.....	G-05	FUEL TANK.....	G-07	MUFFLER.....	C-06	REAR WHEEL.....	L-04	TAIL LAMP.....	F-06		





FIG.3

Fig.3 ( B-5 ) CYLINDER



Ref #	Part Number	Description	Qty	Remarks
1	11210-27E11-0F0	CYLINDER	1	
2	09108-10081	STUD BOLT (10X164)	8	
3	09108-10099	STUD BOLT (10X157)	2	
4	09108-10108	STUD BOLT (10X168)	2	
5	11241-32F00	GASKET, CYLINDER	1	
6	01421-06203	STUD BOLT	1	
7	08316-10063	NUT	1	
8	09206-13017	PIN	2	
9	11328-48B04	HOSE, OIL HEAD COOLER	1	
10	09280-14011	O RING (D:2.5, ID:13.8)	2	
11	09280-15007	O RING (D:2.4, ID:15.8)	1	
12	07130-06163	BOLT	6	

GSF1200SK1 E03 E28\_003  
CYLINDER

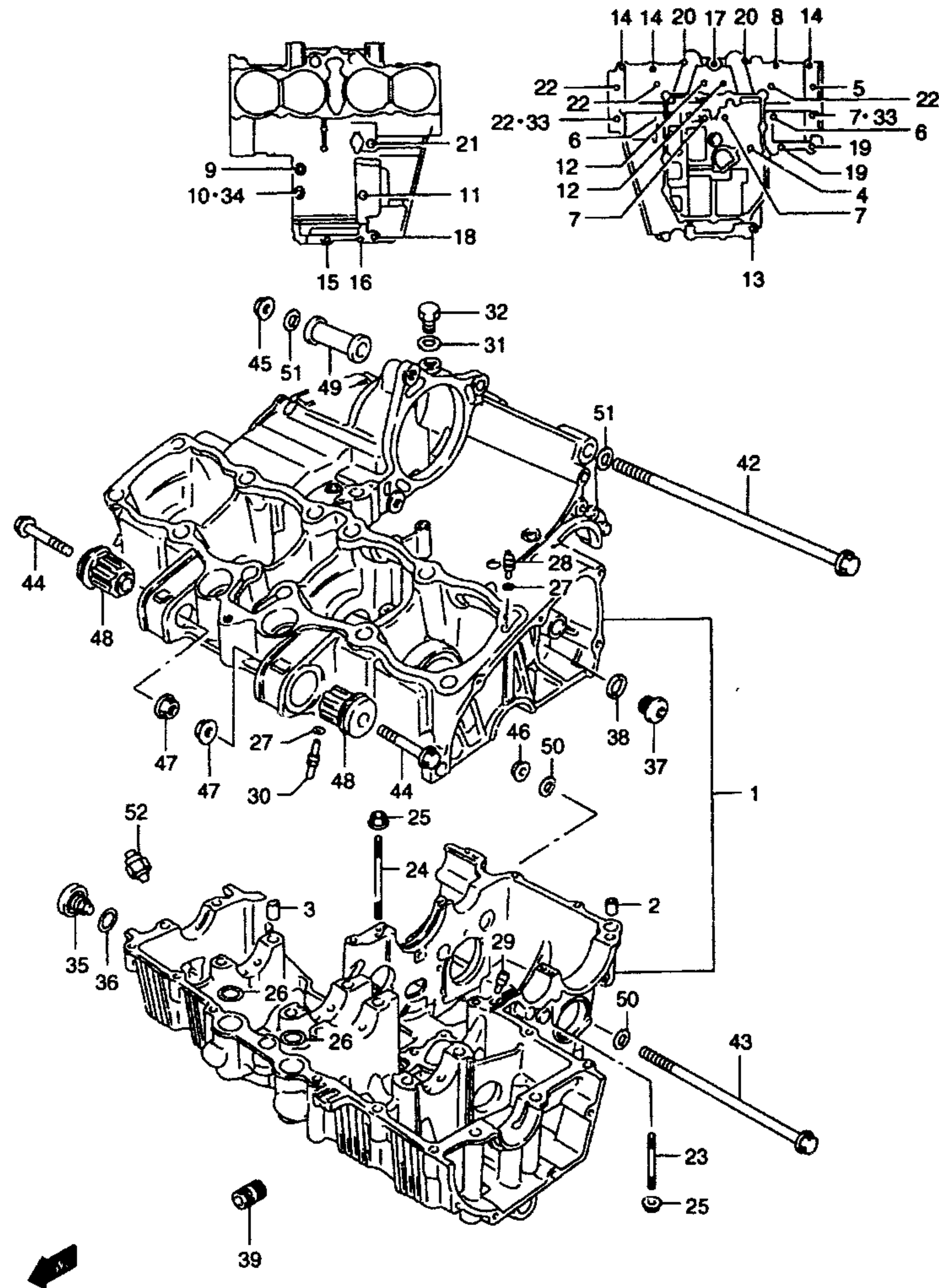
4 GSF1200, S K2 E3, E33

B 5

AIR CLEANER.....	C-07	COWLING BODY.....	I-02	FRAME COVER.....	H-03	GASKET SET.....	B-02	OIL COOLER.....	C-08	SEAT TAIL COVER...	J-03	TRANSMISSION.....	D-04
ALTERNATOR.....	E-03	COWLING INSTALLATIO	I-04	FRAME.....	G-02	GEAR SHIFTING.....	D-08	OIL PAN.....	B-09	SEAT.....	J-02	TURN SIGNAL LAMP...	F-04
BATTERY.....	E-06	CRANKCASE COVER.....	B-08	FRONT BRAKE HOSE...	K-04	HANDLE LEVER.....	H-10	OIL PUMP.....	B-10	SECOND AIR.....	C-10	WIRING HARNESS.....	F-07
CAM CHAIN.....	C-03	CRANKCASE.....	B-06	FRONT CALIPERS.....	K-03	HANDLE SWITCH.....	F-09	OPTIONAL.....	L-07	SIGNAL GENERATOR...	E-04		
CAM SHAFT / VALVE..	C-02	CRANKSHAFT.....	B-11	FRONT DAMPER.....	J-07	HANDLEBAR.....	H-09	REAR CALIPER.....	L-06	SPEEDOMETER.....	E-07		
CANISTER.....	H-02	CYLINDER HEAD COVER	B-03	FRONT FENDER.....	H-07	HEADLAMP HOUSING..	H-06	REAR CUSHION LEVER	L-03	STAND.....	G-04		
CARBURETOR FITTING.	C-06	CYLINDER HEAD.....	B-04	FRONT MASTER CYLIND	K-05	HEADLAMP.....	F-02	REAR FENDER.....	H-11	STARTER CLUTCH.....	B-12		
CARBURETOR.....	C-04	CYLINDER.....	B-05	FRONT WHEEL.....	K-02	LABEL.....	I-05	REAR MASTER CYLINDE	L-06	STARTING MOTOR.....	E-02		
CLUTCH MASTER CYLIN	K-07	ELECTRICAL.....	E-05	FUEL COCK.....	G-08	MANUAL BOX.....	H-05	REAR SWINGING ARM..	L-02	STEERING STEM.....	J-08		
CLUTCH.....	D-02	FOOTREST.....	G-05	FUEL TANK.....	G-07	MUFFLER.....	C-08	REAR WHEEL.....	L-04	TAIL LAMP.....	F-06		

FIG.4

Fig.4 ( B-6 ) CRANKCASE



Ref #	Part Number	Description	Qty	Remarks
1	11301-27830	CRANKCASE SET	1	* SEE NOTE
2	09206-13004	.PIN (13X22)	2	
3	09206-11017	.PIN (11X20)	2	
4	09103-06163	.BOLT (6X105)	1	
5	09103-08097	.BOLT (8X105)	1	
6	09103-08182	.BOLT (8X125)	2	
7	09103-08098	.BOLT (8X115)	3	
8	01550-06353	.BOLT	1	
9	07130-06403	.BOLT	1	
10	07120-06553	.BOLT	1	
11	07130-06653	.BOLT	1	
12	07130-08653	.BOLT	2	
13	01550-08603	.BOLT	1	
14	01550-06353	.BOLT	3	
15	01550-06403	.BOLT	1	
16	01550-06403	.BOLT	1	
17	01550-06503	.BOLT	1	
18	01550-06603	.BOLT	1	
19	01550-06553	.BOLT	2	
20	01550-06703	.BOLT	2	
21	01550-06803	.BOLT	1	
22	09103-08066	.BOLT (8X95)	4	
23	01421-06408	.STUD BOLT	1	
24	01421-06608	.STUD BOLT	1	
25	08316-10063	.NUT	2	
26	09280-21008	.O RING (D:2.5, ID:21)	2	
27	09280-04004	.O RING (D:1.2, ID:4)	6	
28	09493-14002	.JET	2	
29	09493-24010	.JET	2	
30	09493-26007	.JET	4	
31	09168-12002	.GASKET	1	
32	09247-12103	.PLUG	1	
33	09168-08021	.GASKET	2	
34	09168-06018	.GASKET	1	
35	09248-16003	.PLUG	1	
36	09280-17002	.O RING (D:2.4, ID:16.8)	1	
37	09248-14010	.PLUG	1	
38	09168-14002	.GASKET	1	
39	16591-06B00	.UNION, OIL FILTER STAND	1	
40	12228-48B00-0E0	.BEARING, CRANK THRUST (GREEN)	1	

RH  
SEE ILLUSTRATION ON  
FIG. 8 (B-10)

\*\* SPECIAL NOTE ENGINE CASES AND FRAMES FOR THIS MODEL MUST BE ORDERED ON THE FRAME/ENGINE CASE ORDER FORM (99924-FC003). IF YOU HAVE ANY QUESTIONS REGARDING THESE PROCEDURES, PLEASE CALL YOUR PARTS COORDINATOR BEFORE PLACING YOUR ORDER.

GSF1200SK1 E03 E28\_004  
CRANKCASE

5 GSF1200, S K2 E3, E33

AIR CLEANER.....	C-07	COWLING BODY.....	I-02	FRAME COVER.....	H-03	GASKET SET.....	B-02	OIL COOLER.....	C-09	SEAT TAIL COVER.....	J-03	TRANSMISSION.....	D-04
ALTERNATOR.....	E-03	COWLING INSTALLATIO	I-04	FRAME.....	G-02	GEAR SHIFTING.....	D-06	OIL PAN.....	B-09	SEAT.....	J-02	TURN SIGNAL LAMP..	F-04
BATTERY.....	E-06	CRANKCASE COVER.....	B-08	FRONT BRAKE HOSE..	K-04	HANDLE LEVER.....	H-10	OIL PUMP.....	B-10	SECOND AIR.....	C-10	WIRING HARNESS....	F-07
CAM CHAIN.....	C-03	CRANKCASE.....	B-06	FRONT CALIPERS.....	K-03	HANDLE SWITCH.....	F-09	OPTIONAL.....	L-07	SIGNAL GENERATOR...	E-04		
CAM SHAFT / VALVE..	C-02	CRANKSHAFT.....	B-11	FRONT DAMPER.....	J-07	HANDLEBAR.....	H-09	REAR CALIPER.....	L-05	SPEEDOMETER.....	E-07		
CANISTER.....	H-02	CYLINDER HEAD COVER	B-03	FRONT FENDER.....	H-07	HEADLAMP HOUSING..	H-06	REAR CUSHION LEVER.	L-03	STAND.....	G-04		
CARBURETOR FITTING.	C-06	CYLINDER HEAD.....	B-04	FRONT MASTER CYLIND	K-05	HEADLAMP.....	F-02	REAR FENDER.....	H-11	STARTER CLUTCH.....	B-12		
CARBURETOR.....	C-04	CYLINDER.....	B-05	FRONT WHEEL.....	K-02	LABEL.....	I-05	REAR MASTER CYLINDE	L-06	STARTING MOTOR.....	E-02		
CLUTCH MASTER CYLIN	K-07	ELECTRICAL.....	E-05	FUEL COCK.....	G-09	MANUAL BOX.....	H-05	REAR SWINGING ARM..	L-02	STEERING STEM.....	J-08		
CLUTCH.....	D-02	FOOTREST.....	G-05	FUEL TANK.....	G-07	MUFFLER.....	C-06	REAR WHEEL.....	L-04	TAIL LAMP.....	F-06		



FIG.4

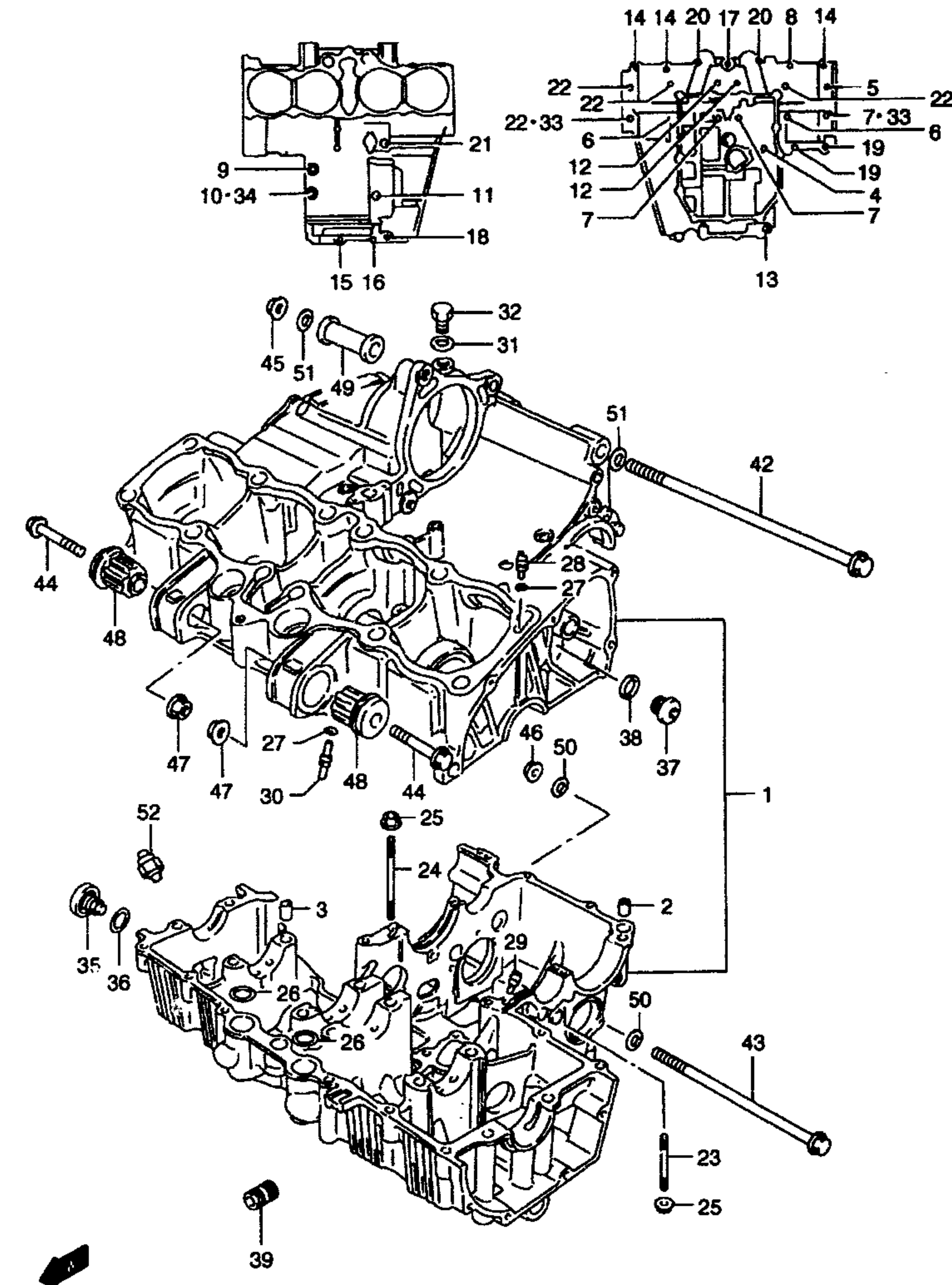


Fig.4 ( B-7 ) CRANKCASE

Ref #	Part Number	Description	Qty	Remarks
41-1	12228-48B00-0A0	.BEARING, CRANK THRUST (PINK)	1	LH SEE ILLUSTRATION ON FIG.8 (B-10)
41-2	12228-48B00-0B0	.BEARING, CRANK THRUST (BROWN)	1	
41-3	12228-48B00-0C0	.BEARING, CRANK THRUST (RED)	1	
41-4	12228-48B00-0D0	.BEARING, CRANK THRUST (YELLOW)	1	
41-5	12228-48B00-0E0	.BEARING, CRANK THRUST (GREEN)	1	
41-6	12228-48B00-0F0	.BEARING, CRANK THRUST (BLUE)	1	
41-7	12228-48B00-0G0	.BEARING, CRANK THRUST (ORANGE)	1	
41-8	12228-48B00-0H0	.BEARING, CRANK THRUST (BLACK)	1	
42	09103-10136	BOLT (10X180)	1	
43	09100-12053	BOLT (12X140)	1	
44	09103-10289	BOLT	2	
45	09159-10058	NUT	1	
46	08319-31128	NUT	1	
47	08316-10103	NUT	2	
48	11681-06B00	BUSH, ENGINE MOUNT	2	
49	11610-20C00	SPACER, ENGINE MOUNT	1	
50	08322-01123	WASHER	2	
51	08322-01103	WASHER	2	
52	37820-33D10	SWITCH ASSY, OIL PRESSURE	1	

GSF1200SK1 E03 E28\_004  
CRANKCASE

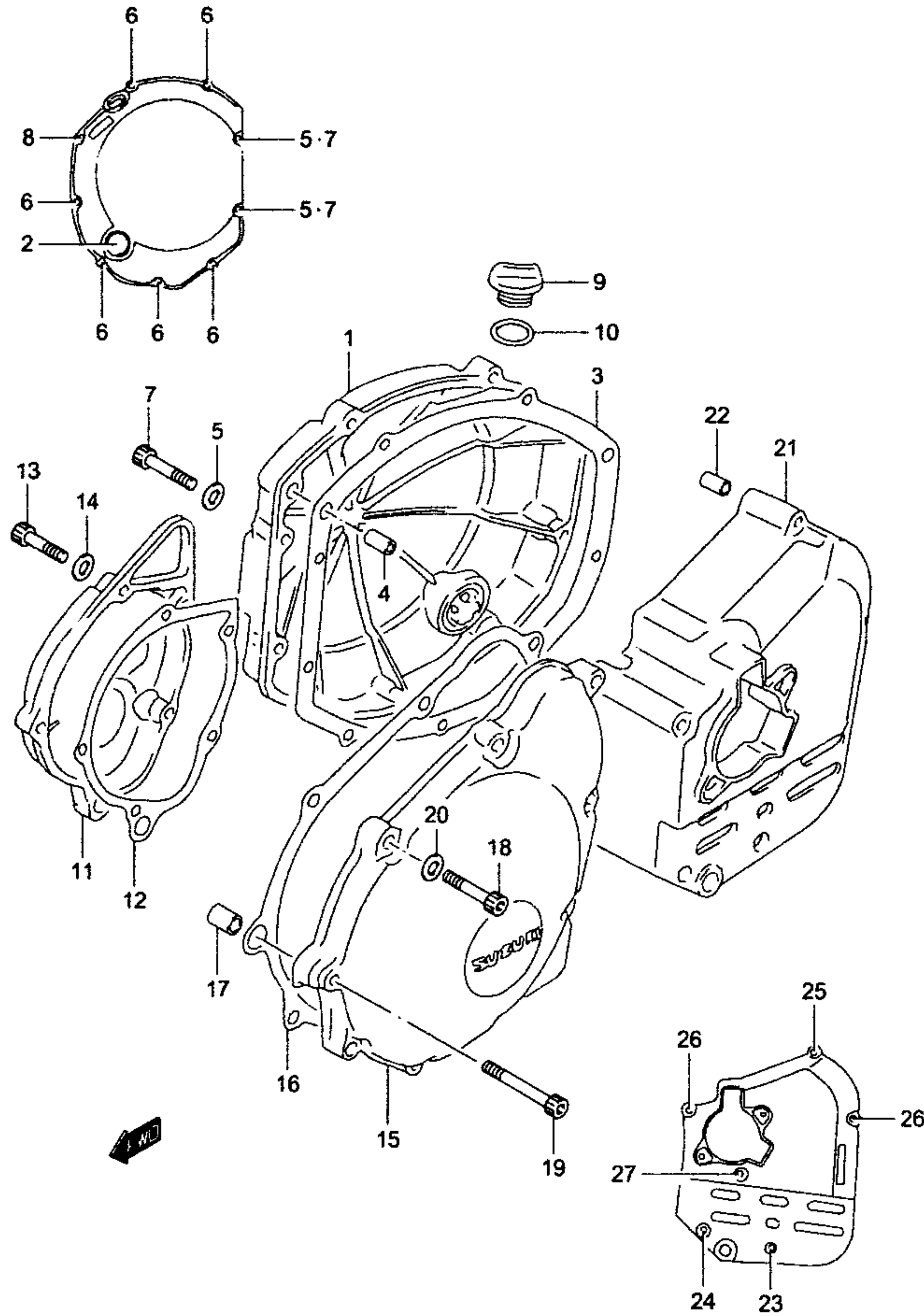
6 GSF1200, S K2 E3, E33

B7

AIR CLEANER.....	C-07	COWLING BODY.....	I-02	FRAME COVER.....	H-03	GASKET SET.....	B-02	OIL COOLER.....	C-09	SEAT TAIL COVER....	J-03	TRANSMISSION.....	D-04
ALTERNATOR.....	E-03	COWLING INSTALLATIO	I-04	FRAME.....	G-02	GEAR SHIFTING.....	D-08	OIL PAN.....	B-09	SEAT.....	J-02	TURN SIGNAL LAMP...	F-04
BATTERY.....	E-06	CRANKCASE COVER....	B-08	FRONT BRAKE HOSE..	K-04	HANDLE LEVER.....	H-10	OIL PUMP.....	B-10	SECOND AIR.....	C-10	WIRING HARNESS....	F-07
CAM CHAIN.....	C-03	CRANKCASE.....	B-06	FRONT CALIPERS....	K-03	HANDLE SWITCH.....	F-09	OPTIONAL.....	L-07	SIGNAL GENERATOR...	E-04		
CAM SHAFT / VALVE..	C-02	CRANKSHAFT.....	B-11	FRONT DAMPER.....	J-07	HANDLEBAR.....	H-09	REAR CALIPER.....	L-05	SPEEDOMETER.....	E-07		
CANISTER.....	H-02	CYLINDER HEAD COVER	B-03	FRONT FENDER.....	H-07	HEADLAMP HOUSING..	H-08	REAR CUSHION LEVER	L-03	STAND.....	G-04		
CARBURETOR FITTING	C-06	CYLINDER HEAD.....	B-04	FRONT MASTER CYLIND	K-05	HEADLAMP.....	F-02	REAR FENDER.....	H-11	STARTER CLUTCH....	B-12		
CARBURETOR.....	C-04	CYLINDER.....	B-05	FRONT WHEEL.....	K-02	LABEL.....	I-05	REAR MASTER CYLINDE	L-06	STARTING MOTOR....	E-02		
CLUTCH MASTER CYLIN	K-07	ELECTRICAL.....	E-05	FUEL COCK.....	G-09	MANUAL BOX.....	H-05	REAR SWINGING ARM..	L-02	STEERING STEM....	J-08		
CLUTCH.....	D-02	FOOTREST.....	G-05	FUEL TANK.....	G-07	MUFFLER.....	C-08	REAR WHEEL.....	L-04	TAIL LAMP.....	F-06		

FIG.5

Fig.5 ( B-8 ) CRANKCASE COVER



Ref #	Part Number	Description	Qty	Remarks
1	11340-26E20	COVER, CLUTCH	1	
2	11971-33210	.LENS, OIL LEVEL CHECK	1	
3	11482-27A20	GASKET	1	
4	04211-09189	PIN	2	
5	09168-06023	GASKET (5.8X13X1.2)	2	
6	07130-06253	BOLT	6	
7	07130-06303	BOLT	2	
8	07130-06353	BOLT	1	
9	09259-20008	PLUG	1	
10	09280-17003	O RING (D:3.1, ID:16.8)	1	
11	11381-26E21	COVER, SIGNAL GENERATOR	1	
12	11491-27A30	GASKET	1	
13	09106-06082	BOLT	5	
14	09168-06023	GASKET (5.8X13X1.2)	1	
15	11351-26E20	COVER, STARTER GEAR	1	
16	11483-48B20	GASKET	1	
17	09206-11017	PIN	1	
18	07130-06253	BOLT	8	
19	07130-06403	BOLT	1	
20	09168-06023	GASKET (5.8X13X1.2)	1	
21	11360-27E10	COVER, ENGINE SPROCKET	1	
22	04211-09129	PIN	2	
23	07130-06453	BOLT	1	
24	07130-06353	BOLT	1	
25	07130-06553	BOLT	1	
26	07130-06703	BOLT	2	
27	07130-06753	BOLT	1	

GSF1200SK1 E03 E28\_005  
CRANKCASE COVER

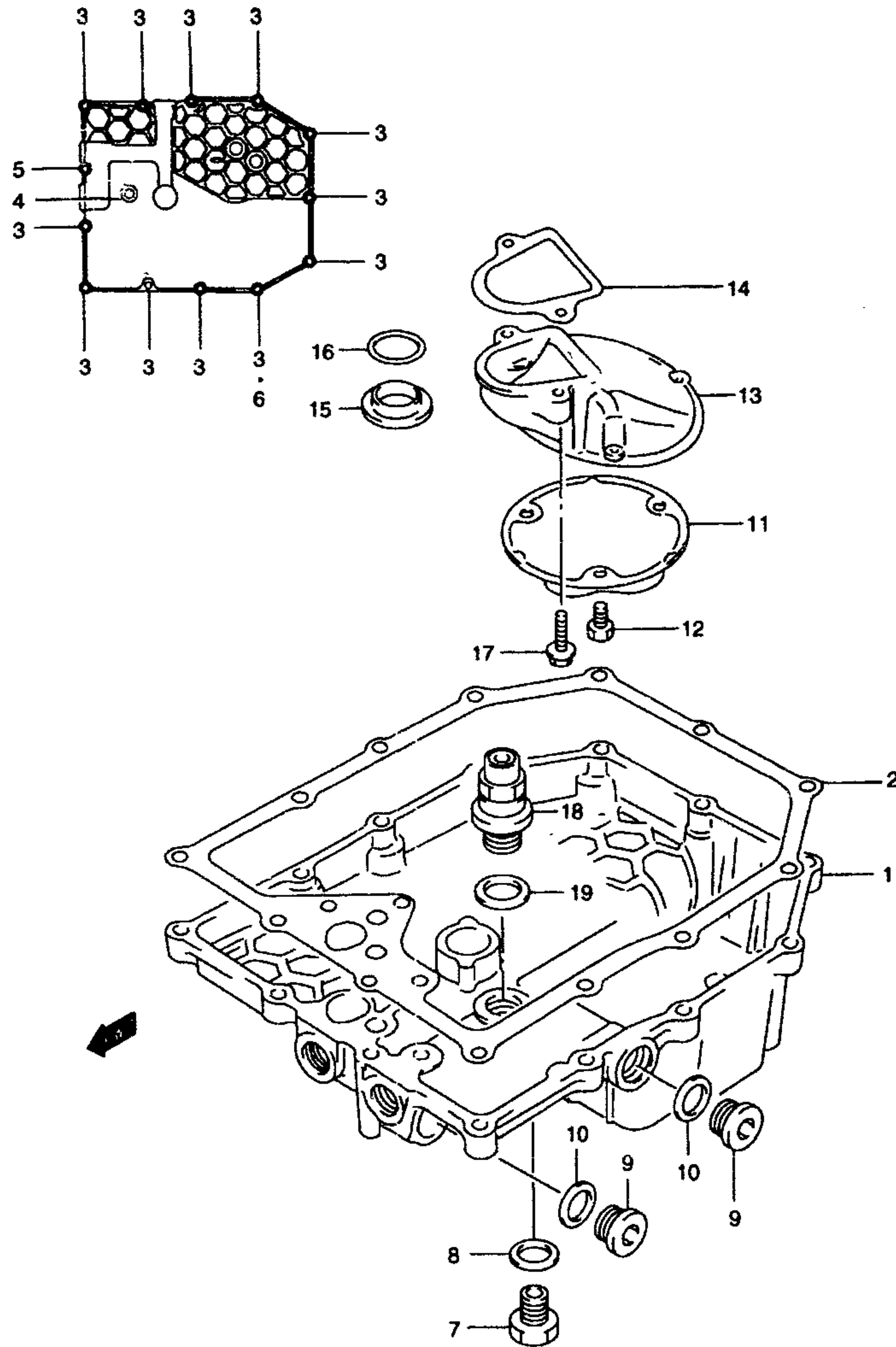
7 GSF1200, S K2 E3, E33

AIR CLEANER.....	C-07	COWLING BODY.....	I-02	FRAME COVER.....	H-03	GASKET SET.....	B-02	OIL COOLER.....	C-08	SEAT TAIL COVER...	J-03	TRANSMISSION.....	D-04
ALTERNATOR.....	E-03	COWLING INSTALLATIO	I-04	FRAME.....	G-02	GEAR SHIFTING.....	D-08	OIL PAN.....	B-09	SEAT.....	J-02	TURN SIGNAL LAMP...	F-04
BATTERY.....	E-06	CRANKCASE COVER...	B-08	FRONT BRAKE HOSE...	K-04	HANDLE LEVER.....	H-10	OIL PUMP.....	B-10	SECOND AIR.....	C-10	WIRING HARNESS....	F-07
CAM CHAIN.....	C-03	CRANKCASE.....	B-06	FRONT CALIPERS.....	K-03	HANDLE SWITCH.....	F-09	OPTIONAL.....	L-07	SIGNAL GENERATOR...	E-04		
CAM SHAFT / VALVE..	C-02	CRANKSHAFT.....	B-11	FRONT DAMPER.....	J-07	HANDLEBAR.....	H-09	REAR CALIPER.....	L-05	SPEEDOMETER.....	E-07		
CANISTER.....	H-02	CYLINDER HEAD COVER	B-03	FRONT FENDER.....	H-07	HEADLAMP HOUSING...	H-08	REAR CUSHION LEVER	L-03	STAND.....	G-04		
CARBURETOR FITTING	C-06	CYLINDER HEAD.....	B-04	FRONT MASTER CYLIND	K-05	HEADLAMP.....	F-02	REAR FENDER.....	H-11	STARTER CLUTCH....	B-12		
CARBURETOR.....	C-04	CYLINDER.....	B-05	FRONT WHEEL.....	K-02	LABEL.....	I-05	REAR MASTER CYLINDE	L-08	STARTING MOTOR....	E-02		
CLUTCH MASTER CYLIN	K-07	ELECTRICAL.....	E-05	FUEL COCK.....	G-09	MANUAL BOX.....	H-05	REAR SWINGING ARM..	L-02	STEERING STEM.....	J-08		
CLUTCH.....	D-02	FOOTREST.....	G-05	FUEL TANK.....	G-07	MUFFLER.....	C-08	REAR WHEEL.....	L-04	TAIL LAMP.....	F-06		



**FIG.6**

Fig.6 ( B-9 ) OIL PAN



Ref #	Part Number	Description	Qty	Remarks
1-1	11511-26E00	PAN, OIL	1	MODEL K1
1-2	11511-26E01	PAN, OIL	1	MODEL K2
2	11489-27A20	GASKET	1	
3	01550-06253	BOLT	12	
4	01550-06303	BOLT	1	
5	01550-06503	BOLT	1	
6	09168-06023	GASKET (5.8X13X1.2)	1	
7	09247-14002	PLUG, DRAIN	1	
8	09168-14002	GASKET	1	
9	09248-16012	PLUG, OIL GALLERY	2	
10	09168-16002	GASKET	2	
11	16520-09301	STRAINER, OIL	1	
12	01570-06123	BOLT	3	
13	16525-06B00	PROTECTOR, OIL STRAINER	1	
14	16528-27A20	GASKET, PROTECTOR	1	
15	16529-27A01	GASKET, OIL OUTLET	1	
16	09280-18009	O RING (D:3.2, ID:17.8)	1	
17	01550-06253	BOLT	2	
18	16440-17C01	VALVE ASSY, OIL RELIEF	1	
19	09168-16002	GASKET	1	

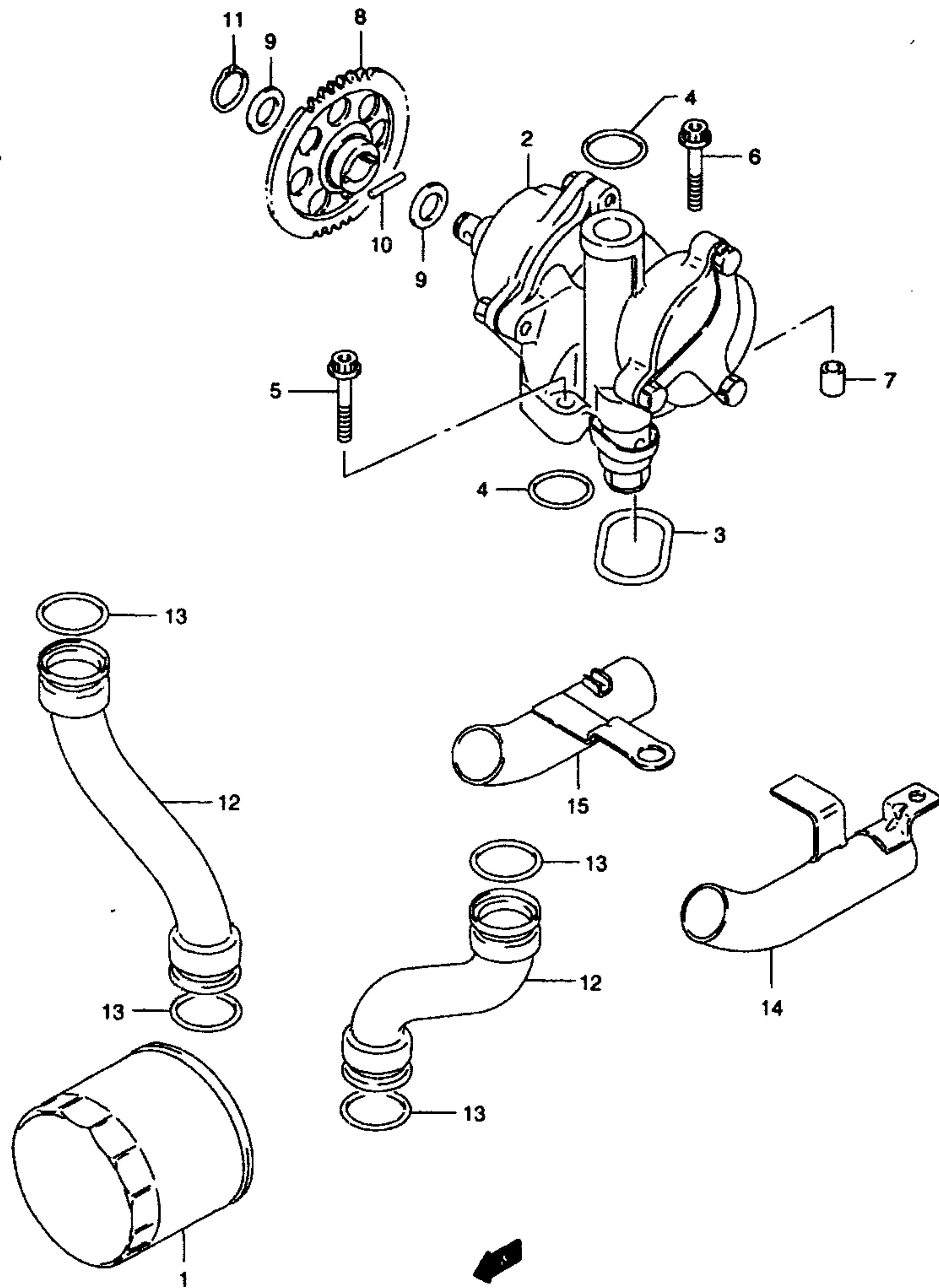
GSF1200SK1 E03 E28\_006  
OIL PAN

8 GSF1200, S K2 E3, E33

AIR CLEANER.....	C-07	COWLING BODY.....	I-02	FRAME COVER.....	H-03	GASKET SET.....	B-02	OIL COOLER.....	C-09	SEAT TAIL COVER.....	J-03	TRANSMISSION.....	D-04
ALTERNATOR.....	E-03	COWLING INSTALLATIO	I-04	FRAME.....	G-02	GEAR SHIFTING.....	D-06	OIL PAN.....	B-09	SEAT.....	J-02	TURN SIGNAL LAMP...	F-04
BATTERY.....	E-06	CRANKCASE COVER.....	B-08	FRONT BRAKE HOSE...	K-04	HANDLE LEVER.....	H-10	OIL PUMP.....	B-10	SECOND AIR.....	C-10	WIRING HARNESS.....	F-07
CAM CHAIN.....	C-03	CRANKCASE.....	B-06	FRONT CALIPERS.....	K-03	HANDLE SWITCH.....	F-09	OPTIONA.....	L-07	SIGNAL GENERATOR...	E-04		
CAM SHAFT / VALVE..	C-02	CRANKSHAFT.....	B-11	FRONT DAMPER.....	J-07	HANDLEBAR.....	H-09	REAR CALIPER.....	L-05	SPEEDOMETER.....	E-07		
CANISTER.....	H-02	CYLINDER HEAD COVER	B-03	FRONT FENDER.....	H-07	HEADLAMP HOUSING...	H-06	REAR CUSHION LEVER	L-03	STAND.....	G-04		
CARBURETOR FITTING	C-06	CYLINDER HEAD.....	B-04	FRONT MASTER CYLIND	K-05	HEADLAMP.....	F-02	REAR FENDER.....	H-11	STARTER CLUTCH.....	B-12		
CARBURETOR.....	C-04	CYLINDER.....	B-05	FRONT WHEEL.....	K-02	LABEL.....	I-05	REAR MASTER CYLINDE	L-06	STARTING MOTOR.....	E-02		
CLUTCH MASTER CYLIN	K-07	ELECTRICAL.....	E-05	FUEL COCK.....	G-09	MANUAL BOX.....	H-05	REAR SWINGING ARM..	L-02	STEERING STEM.....	J-06		
CLUTCH.....	D-02	FOOTREST.....	G-05	FUEL TANK.....	G-07	MUFFLER.....	C-08	REAR WHEEL.....	L-04	TAIL LAMP.....	F-06		

**FIG.7**

Fig.7 ( B-10) OIL PUMP



Ref #	Part Number	Description	Qty	Remarks
1	16510-34E00	FILTER ASSY, ENGINE OIL	1	
2	16400-06B30	PUMP ASSY, OIL	1	
3	16491-27A01	O RING, PUMP	1	
4	09280-18009	O RING (D:3.2, ID:17.8)	2	
5	09106-06089	BOLT (6X30)	2	
6	09106-06088	BOLT (6X35)	1	
7	04211-09129	PIN	2	
8	16332-19C00	GEAR, PUMP DRIVEN (NT:37)	1	
9	08221-12205	SHIM	2	
10	09261-05006	PIN	1	
11	08331-31126	CIRCLIP	1	
12	16481-48B01	PIPE, OUTLET	2	
13	09280-22016	O RING (D:3.7, ID:21.7)	4	
14	16530-27A02	PIPE, OUTLET UNDER LH	1	
15	16540-27A02	PIPE, OUTLET UNDER RH	1	

GSF1200SK1 E03 E28\_007  
OIL PUMP

9 GSF1200, S K2 E3, E33

B 10

AIR CLEANER.....	C-07	COWLING BODY.....	I-02	FRAME COVER.....	H-03	GASKET SET.....	B-02	OIL COOLER.....	C-09	SEAT TAIL COVER.....	J-03	TRANSMISSION.....	D-04
ALTERNATOR.....	E-03	COWLING INSTALLATIO	I-04	FRAME.....	G-02	GEAR SHIFTING.....	D-06	OIL PAN.....	B-09	SEAT.....	J-02	TURN SIGNAL LAMP.....	F-04
BATTERY.....	E-06	CRANKCASE COVER.....	B-08	FRONT BRAKE HOSE.....	K-04	HANDLE LEVER.....	H-10	OIL PUMP.....	B-10	SECOND AIR.....	C-10	WIRING HARNESS.....	F-07
CAM CHAIN.....	C-03	CRANKCASE.....	B-06	FRONT CALIPERS.....	K-03	HANDLE SWITCH.....	F-09	OPTIONAL.....	L-07	SIGNAL GENERATOR.....	E-04		
CAM SHAFT / VALVE.....	C-02	CRANKSHAFT.....	B-11	FRONT DAMPER.....	J-07	HANDLEBAR.....	H-09	REAR CALIPER.....	L-05	SPEEDOMETER.....	E-07		
CANISTER.....	H-02	CYLINDER HEAD COVER	B-03	FRONT FENDER.....	H-07	HEADLAMP HOUSING.....	H-06	REAR CUSHION LEVER.....	L-03	STAND.....	G-04		
CARBURETOR FITTING.....	C-06	CYLINDER HEAD.....	B-04	FRONT MASTER CYLIND	K-05	HEADLAMP.....	F-02	REAR FENDER.....	H-11	STARTER CLUTCH.....	B-12		
CARBURETOR.....	C-04	CYLINDER.....	B-05	FRONT WHEEL.....	K-02	LABEL.....	I-05	REAR MASTER CYLINDE	L-06	STARTING MOTOR.....	E-02		
CLUTCH MASTER CYLIN	K-07	ELECTRICAL.....	E-05	FUEL COCK.....	G-09	MANUAL BOX.....	H-05	REAR SWINGING ARM.....	L-02	STEERING STEM.....	J-08		
CLUTCH.....	D-02	FOOTREST.....	G-05	FUEL TANK.....	G-07	MUFFLER.....	C-06	REAR WHEEL.....	L-04	TAIL LAMP.....	F-06		



FIG.8

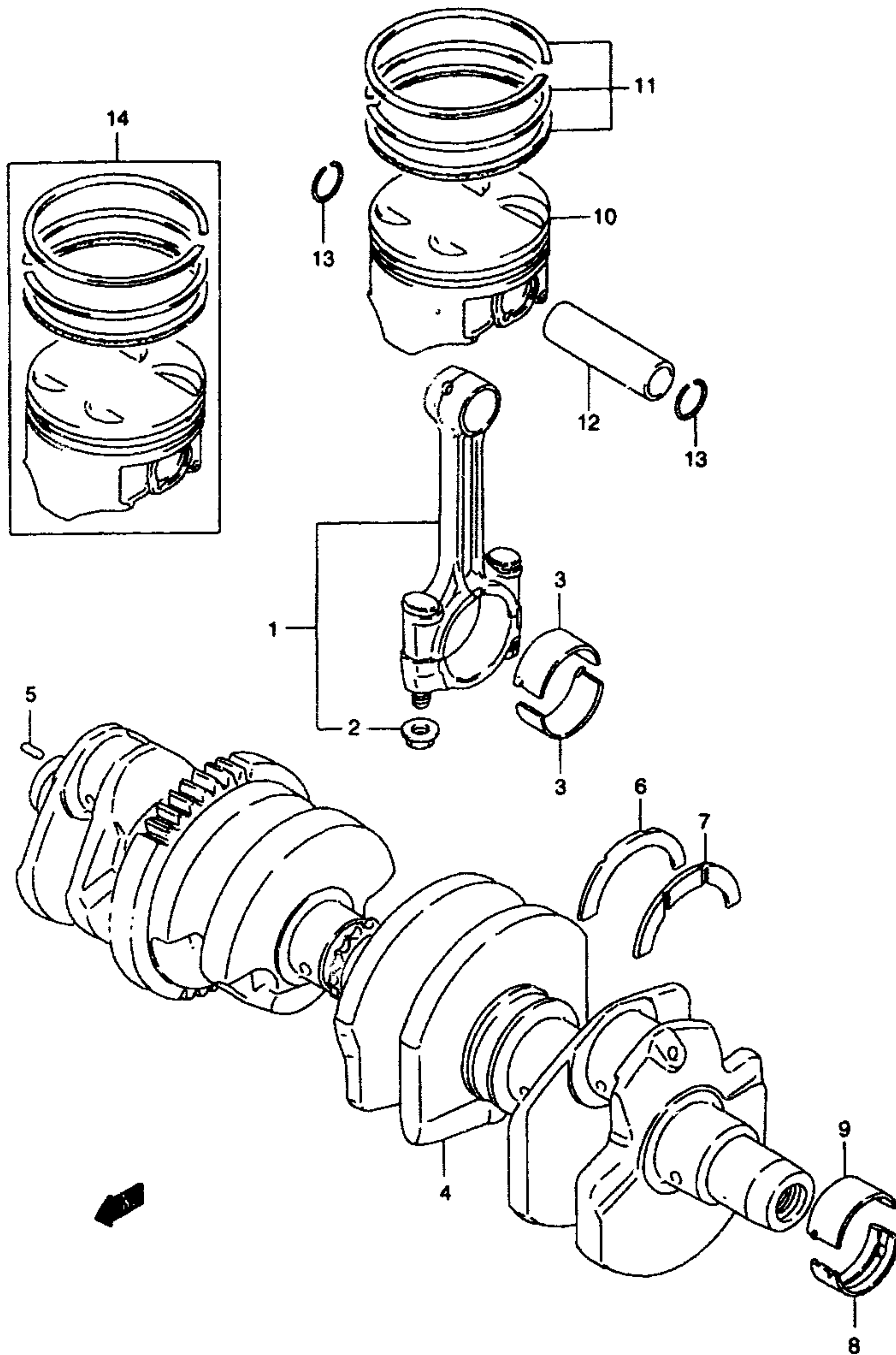


Fig.8 ( B-11) CRANKSHAFT

Ref #	Part Number	Description	Qty	Remarks
1	12160-40C03	ROD ASSY, CONNECTING	4	
2	09159-09001	.NUT	8	
3-1	12164-46E01-0A0	BEARING (GREEN)	8	*SEE NOTE
3-2	12164-46E01-0B0	BEARING (BLACK)	8	*SEE NOTE
3-3	12164-46E01-0C0	BEARING (BROWN)	8	*SEE NOTE
3-4	12164-46E01-0D0	BEARING (YELLOW)	8	*SEE NOTE
4	12000-27831	CRANKSHAFT SET	1	
5	04221-04089	.PIN	1	
6	12228-48B00-0E0	.BEARING, CRANK THRUST (GREEN)	1	RH
7-1	12228-48B00-0A0	.BEARING, CRANK THRUST (PINK)	1	LH
7-2	12228-48B00-0B0	.BEARING, CRANK THRUST (BROWN)	1	LH
7-3	12228-48B00-0C0	.BEARING, CRANK THRUST (RED)	1	LH
7-4	12228-48B00-0D0	.BEARING, CRANK THRUST (YELLOW)	1	LH
7-5	12228-48B00-0E0	.BEARING, CRANK THRUST (GREEN)	1	LH
7-6	12228-48B00-0F0	.BEARING, CRANK THRUST (BLUE)	1	LH
7-7	12228-48B00-0G0	.BEARING, CRANK THRUST (ORANGE)	1	LH
7-8	12228-48B00-0H0	.BEARING, CRANK THRUST (BLACK)	1	LH
8-1	12229-06B00-0A0	BEARING, CRANKSHAFT (GREEN)	6	LOWER *SEE NOTE
8-2	12229-06B00-0B0	BEARING, CRANKSHAFT (BLACK)	6	LOWER *SEE NOTE
8-3	12229-06B00-0C0	BEARING, CRANKSHAFT (BROWN)	6	LOWER *SEE NOTE
8-4	12229-06B00-0D0	BEARING, CRANKSHAFT (YELLOW)	6	LOWER *SEE NOTE
9-1	12229-06B10-0A0	BEARING, CRANKSHAFT (GREEN)	6	UPPER *SEE NOTE
9-2	12229-06B10-0B0	BEARING, CRANKSHAFT (BLACK)	6	UPPER *SEE NOTE
9-3	12229-06B10-0C0	BEARING, CRANKSHAFT (BROWN)	6	UPPER *SEE NOTE
9-4	12229-06B10-0D0	BEARING, CRANKSHAFT (YELLOW)	6	UPPER *SEE NOTE
10	12111-27E02-0F0	PISTON	4	
11	12140-27E20	RING SET, PISTON	4	
12	12151-05A00	PIN, PISTON	4	
13	09381-20004	CIRCLIP	8	
14	12100-27E01-050	PISTON SET (OS:0.5)	4	OPT

\*\* SPECIAL NOTE  
THERE IS A BEARING KIT AVAILABLE FOR THIS MODEL. PART NUMBER 99104-BRKT-002. REFER TO BULLETIN 431-92-02.

GSF1200SK1 E03 E28\_008  
CRANKSHAFT

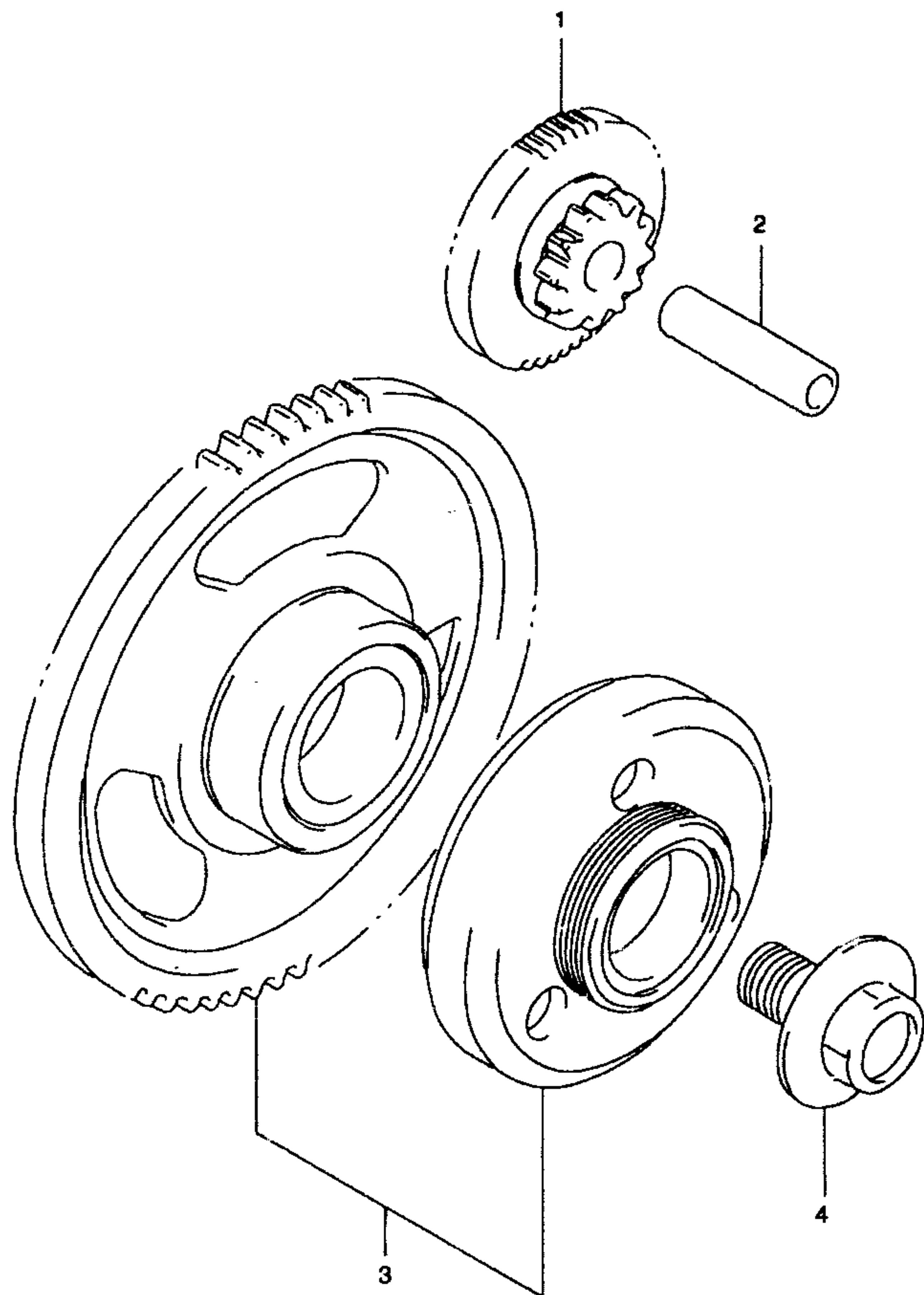
10 GSF1200, S K2 E3, E33

B 11

AIR CLEANER.....	C-07	COWLING BODY.....	I-02	FRAME COVER.....	H-03	GASKET SET.....	B-02	OIL COOLER.....	C-08	SEAT TAIL COVER.....	J-03	TRANSMISSION.....	D-04
ALTERNATOR.....	E-03	COWLING INSTALLATIO	I-04	FRAME.....	G-02	GEAR SHIFTING.....	D-06	OIL PAN.....	B-08	SEAT.....	J-02	TURN SIGNAL LAMP.....	F-04
BATTERY.....	E-06	CRANKCASE COVER.....	B-08	FRONT BRAKE HOSE.....	K-04	HANDLE LEVER.....	H-10	OIL PUMP.....	B-10	SECOND AIR.....	C-10	WIRING HARNESS.....	F-07
CAM CHAIN.....	C-03	CRANKCASE.....	B-06	FRONT CALIPERS.....	K-03	HANDLE SWITCH.....	F-09	OPTIONAL.....	L-07	SIGNAL GENERATOR.....	E-04		
CAM SHAFT / VALVE.....	C-02	CRANKSHAFT.....	B-11	FRONT DAMPER.....	J-07	HANDLEBAR.....	H-09	REAR CALIPER.....	L-05	SPEEDOMETER.....	E-07		
CANISTER.....	H-02	CYLINDER HEAD COVER	B-03	FRONT FENDER.....	H-07	HEADLAMP HOUSING...	H-06	REAR CUSHION LEVER.	L-03	STAND.....	G-04		
CARBURETOR FITTING.	C-06	CYLINDER HEAD.....	B-04	FRONT MASTER CYLIND	K-05	HEADLAMP.....	F-02	REAR FENDER.....	H-11	STARTER CLUTCH.....	B-12		
CARBURETOR.....	C-04	CYLINDER.....	B-05	FRONT WHEEL.....	K-02	LABEL.....	I-05	REAR MASTER CYLINDE	L-06	STARTING MOTOR.....	E-02		
CLUTCH MASTER CYLIN	K-07	ELECTRICAL.....	E-05	FUEL COCK.....	G-09	MANUAL BOX.....	H-05	REAR SWINGING ARM.	L-02	STEERING STEM.....	J-08		
CLUTCH.....	D-02	FOOTREST.....	G-05	FUEL TANK.....	G-07	MUFFLER.....	C-08	REAR WHEEL.....	L-04	TAIL LAMP.....	F-06		

**FIG.9**

Fig.9 ( B-12) STARTER CLUTCH



Ref #	Part Number	Description	Qty	Remarks
1	12611-06B00	GEAR, STARTER ILDE (NT:12/53)	1	
2	09206-11014	PIN	1	
3	12600-27830	CLUTCH SET, STARTER	1	
4	09103-14005	BOLT (14X21)	1	

GSF1200SK1 E03 E28\_009  
STARTER CLUTCH

11 GSF1200, S K2 E3, E33

B 12

AIR CLEANER.....	C-07	COWLING BODY.....	H-02	FRAME COVER.....	H-03	GASKET SET.....	B-02	OIL COOLER.....	C-09	SEAT TAIL COVER...	J-03	TRANSMISSION.....	D-04
ALTERNATOR.....	E-03	COWLING INSTALLATIO	I-04	FRAME.....	G-02	GEAR SHIFTING.....	D-06	OIL PAN.....	B-09	SEAT.....	J-02	TURN SIGNAL LAMP...	F-04
BATTERY.....	E-06	CRANKCASE COVER...	B-08	FRONT BRAKE HOSE...	K-04	HANDLE LEVER.....	H-10	OIL PUMP.....	B-10	SECOND AIR.....	C-10	WIRING HARNESS...	F-07
CAM CHAIN.....	C-03	CRANKCASE.....	B-06	FRONT CALIPERS.....	K-03	HANDLE SWITCH.....	F-09	OPTIONAL.....	L-07	SIGNAL GENERATOR...	E-04		
CAM SHAFT / VALVE..	C-02	CRANKSHAFT.....	B-11	FRONT DAMPER.....	J-07	HANDLEBAR.....	H-09	REAR CALIPER.....	L-05	SPEEDOMETER.....	E-07		
CANISTER.....	H-02	CYLINDER HEAD COVER	B-03	FRONT FENDER.....	H-07	HEADLAMP HOUSING...	H-08	REAR CUSHION LEVER.	L-03	STAND.....	G-04		
CARBURETOR FITTING.	C-06	CYLINDER HEAD.....	B-04	FRONT MASTER CYLIND	K-05	HEADLAMP.....	F-02	REAR FENDER.....	H-11	STARTER CLUTCH....	B-12		
CARBURETOR.....	C-04	CYLINDER.....	B-05	FRONT WHEEL.....	K-02	LABEL.....	I-05	REAR MASTER CYLINDE	L-08	STARTING MOTOR....	E-02		
CLUTCH MASTER CYLIN	K-07	ELECTRICAL.....	E-05	FUEL COCK.....	G-08	MANUAL BOX.....	H-05	REAR SWINGING ARM	L-02	STEERING STEM....	J-08		
CLUTCH.....	D-02	FOOTREST.....	G-05	FUEL TANK.....	G-07	MUFFLER.....	C-08	REAR WHEEL.....	L-04	TAIL LAMP.....	F-06		



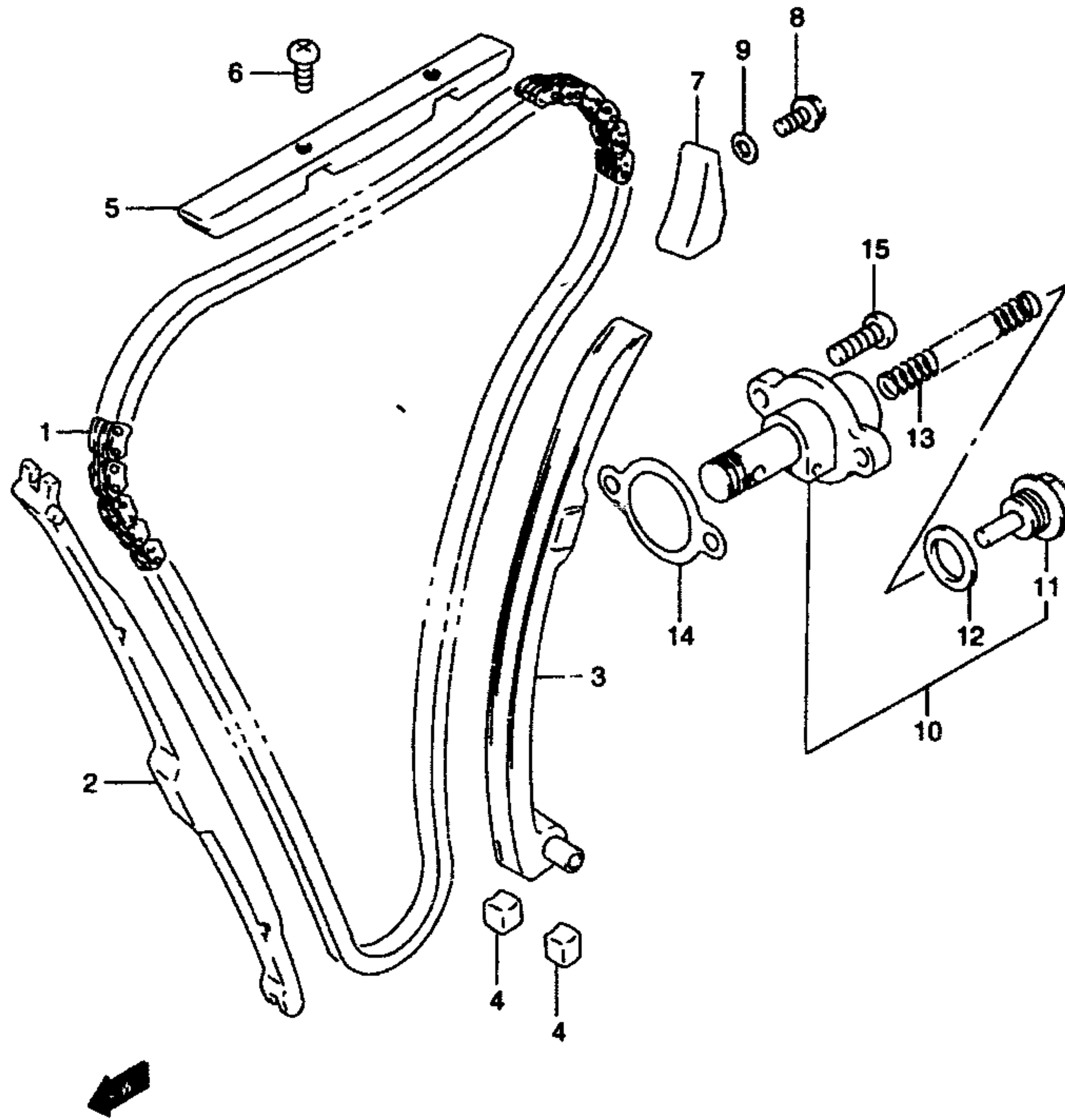






FIG.11

Fig.11 ( C-3 ) CAM CHAIN



Ref #	Part Number	Description	Qty	Remarks
1	12760-26D00	CHAIN, CAM SHAFT DRIVE	1	
2	12771-26D00	GUIDE, CAM CHAIN NO.1	1	
3	12810-26D00	TENSIONER, CAM CHAIN	1	
4	12814-34200	CUSHION	2	
5	12782-05A01	GUIDE, CAM CHAIN NO.2	1	
6	02112-06103	SCREW	2	
7	12791-27A00	GUIDE, CAM CHAIN NO.3	1	
8	01550-06103	BOLT	1	
9	09168-06023	GASKET	1	
10	12830-46E10	ADJUSTER ASSY, TENSIONER	1	
11	12834-27A00	. PLUG	1	
12	12832-27A00	. GASKET	1	
13	12833-26D10	. SPRING	1	
14	12837-27A10	GASKET	1	
15	07130-06253	BOLT	2	

GSF1200SK1 E03 E28\_011  
CAM CHAIN

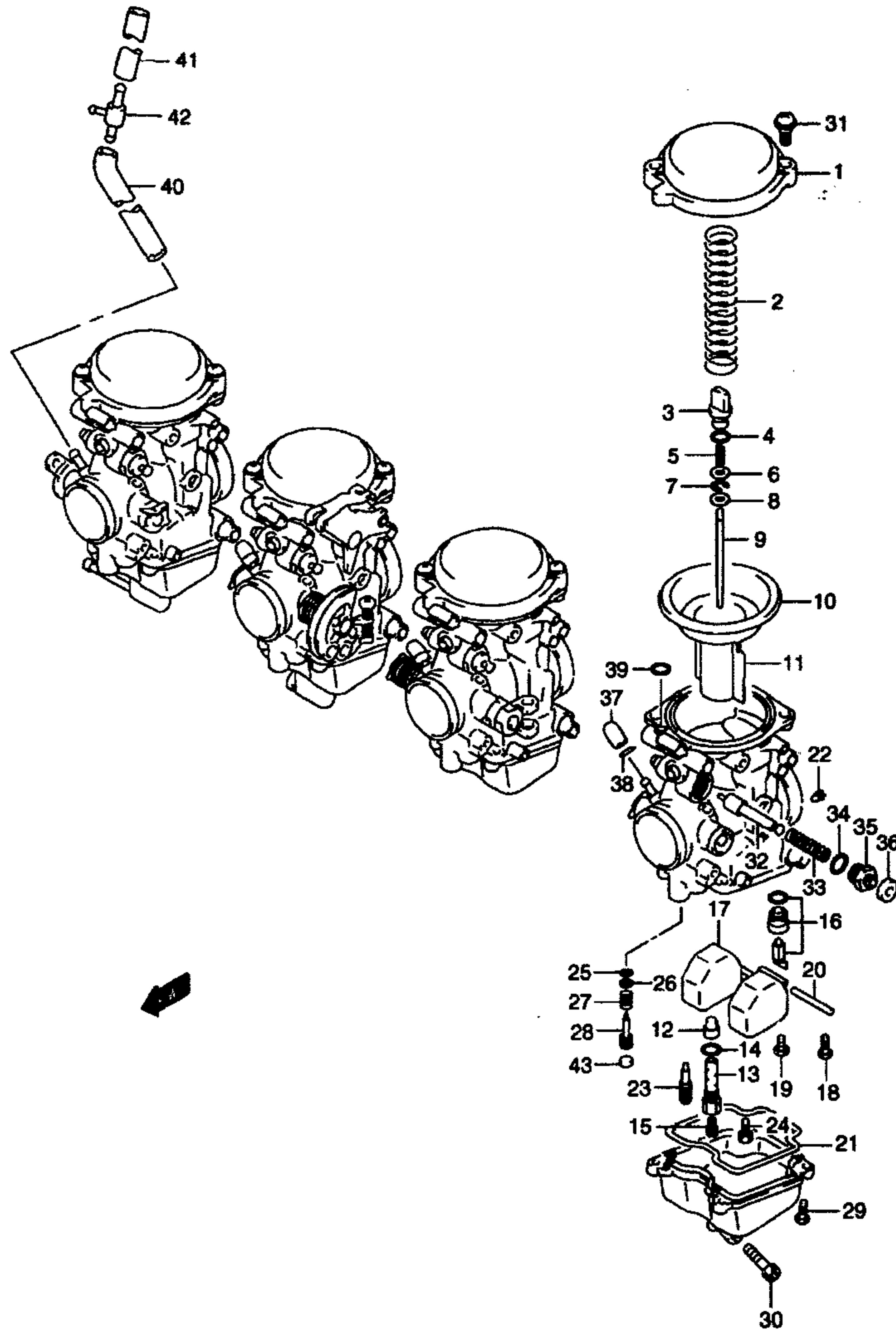
13 GSF1200, S K2 E3, E33

C3

AIR CLEANER.....	C-07	COWLING BODY.....	I-02	FRAME COVER.....	H-03	GASKET SET.....	B-02	OIL COOLER.....	C-09	SEAT TAIL COVER.....	J-03	TRANSMISSION.....	D-04
ALTERNATOR.....	E-03	COWLING INSTALLATIO	I-04	FRAME.....	G-02	GEAR SHIFTING.....	D-06	OIL PAN.....	B-08	SEAT.....	J-02	TURN SIGNAL LAMP.....	F-04
BATTERY.....	E-06	CRANKCASE COVER.....	B-08	FRONT BRAKE HOSE.....	K-04	HANDLE LEVER.....	H-10	OIL PUMP.....	B-10	SECOND AIR.....	C-10	WIRING HARNESS.....	F-07
CAM CHAIN.....	C-03	CRANKCASE.....	B-06	FRONT CALPERS.....	K-03	HANDLE SWITCH.....	F-09	OPTIONAL.....	L-07	SIGNAL GENERATOR.....	E-04		
CAM SHAFT / VALVE.....	C-02	CRANKSHAFT.....	B-11	FRONT DAMPER.....	J-07	HANDLEBAR.....	H-09	REAR CALIPER.....	L-05	SPEEDOMETER.....	E-07		
CANISTER.....	H-02	CYLINDER HEAD COVER	B-03	FRONT FENDER.....	H-07	HEADLAMP HOUSING.....	H-08	REAR CUSHION LEVER.....	L-03	STAND.....	G-04		
CARBURETOR FITTING.....	C-06	CYLINDER HEAD.....	B-04	FRONT MASTER CYLIND	K-05	HEADLAMP.....	F-02	REAR FENDER.....	H-11	STARTER CLUTCH.....	B-12		
CARBURETOR.....	C-04	CYLINDER.....	B-05	FRONT WHEEL.....	K-02	LABEL.....	I-05	REAR MASTER CYLINDE	L-08	STARTING MOTOR.....	E-02		
CLUTCH MASTER CYLIN	K-07	ELECTRICAL.....	E-05	FUEL COCK.....	G-09	MANUAL BOX.....	H-05	REAR SWINGING ARM.....	L-02	STEERING STEM.....	J-08		
CLUTCH.....	D-02	FOOTREST.....	G-05	FUEL TANK.....	G-07	MUFFLER.....	C-08	REAR WHEEL.....	L-04	TAIL LAMP.....	F-06		

FIG.12

Fig.12 ( C-4 ) CARBURETOR



Ref #	Part Number	Description	Qty	Remarks
	13201-32F10	CARBURETOR ASSY, LH	1	E3,E28
	13201-32F20	CARBURETOR ASSY, LH	1	E33
	13202-32F10	CARBURETOR ASSY, ML	1	E3,E28
	13202-32F20	CARBURETOR ASSY, ML	1	E33
	13203-32F10	CARBURETOR ASSY, MR	1	E3,E28
	13203-32F20	CARBURETOR ASSY, MR	1	E33
	13204-32F10	CARBURETOR ASSY, RH	1	E3,E28
	13204-32F20	CARBURETOR ASSY, RH	1	E33
1	13502-08F00	.DIAOGRAGN COVER	4	
2	13573-33E00	.SPRING	4	
3	13418-33E00	.HOLDER	4	
4	09280-05004	.O RING (D:1.9, ID:4.8)	4	
5	13481-33E00	.SPRING	4	
6	13382-19E00	.WASHER	4	
7	13394-17E60	.E RING, MULTI PULL JET NOZZL	4	
8	13387-44030	.RING	4	
9	13383-32F10	.NEEDLE, JET	4	5C71-1
10	13507-17C01	.DIAPHRAGM	4	
11	13501-08F00	.VALVE, PISTON	4	
12	09494-00921	.JET, NEEDLE (P-OM)	4	
13	13385-08F00	.HOLDER, JET	4	
14	13246-43010	.O RING	4	
15	09491-20019	.JET, MAIN (100)	4	
16	13370-08F50	.VALVE ASSY, NEEDLE	4	
17	13250-04F00	.FLOAT ASSY	4	
18	02112-04083	.SCREW	4	
19	13602-05A10	.SCREW	4	
20	13254-01010	.PIN, FLOAT	4	
21	13258-04F00	.GASKET	4	
22	09493-34004	.JET, PILOT AIR (1.7)	4	
23	09492-15017	.JET, PILOT (15)	4	
24	09491-60010	.JET, MAIN (60)	4	
25	13295-29900	.O RING	4	
26	13291-29900	.WASHER	4	
27	13268-48700	.SPRING	4	
28	13279-19F10	.ADJUSTER	4	3.0
29	02112-04107	.SCREW	16	
30	13247-02340	.SCREW, DRAIN	4	
31	13247-33E00	.SCREW	8	
32	13411-05300	.PLUNGER	4	
33	13417-26D00	.SPRING	4	
34	13278-47090	.O RING	4	

GSF1200SK1 E03 E28\_012  
CARBURETOR

14 GSF1200, S K2 E3, E33

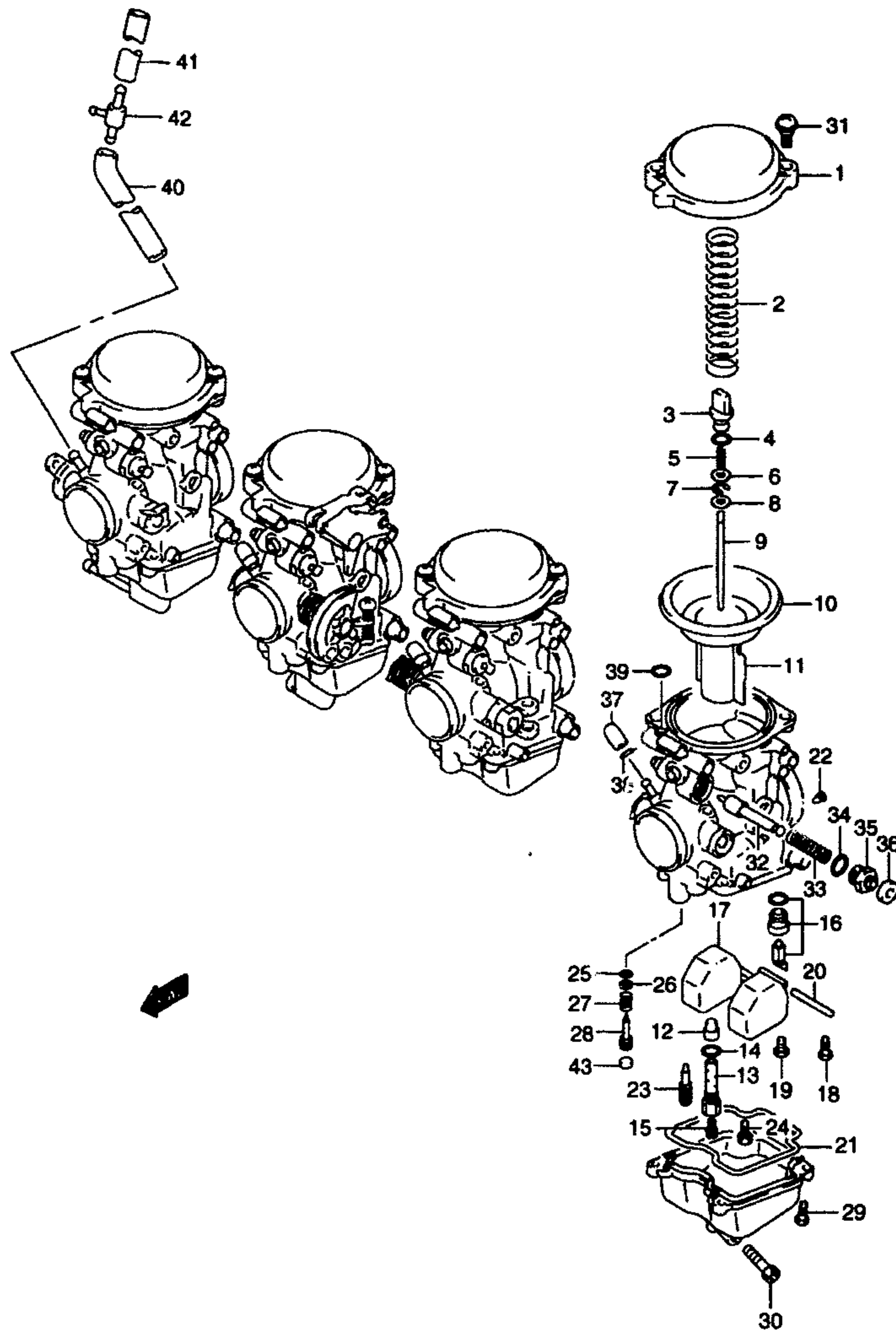
C4

AIR CLEANER.....	C-07	COWLING BODY.....	I-02	FRAME COVER.....	H-03	GASKET SET.....	B-02	OIL COOLER.....	C-09	SEAT TAIL COVER...	J-03	TRANSMISSION.....	D-04
ALTERNATOR.....	E-03	COWLING INSTALLATIO	I-04	FRAME.....	G-02	GEAR SHIFTING.....	D-06	OIL PAN.....	B-09	SEAT.....	J-02	TURN SIGNAL LAMP...	F-04
BATTERY.....	E-08	CRANKCASE COVER...	B-08	FRONT BRAKE HOSE...	K-04	HANDLE LEVER.....	H-10	OIL PUMP.....	B-10	SECOND AIR.....	C-10	WIRING HARNESS.....	F-07
CAM CHAIN.....	C-03	CRANKCASE.....	B-06	FRONT CALIPERS.....	K-03	HANDLE SWITCH.....	F-09	OPTIONAL.....	L-07	SIGNAL GENERATOR...	E-04		
CAM SHAFT / VALVE..	C-02	CRANKSHAFT.....	B-11	FRONT DAMPER.....	J-07	HANDLEBAR.....	H-09	REAR CALIPER.....	L-05	SPEEDOMETER.....	E-07		
CANISTER.....	H-02	CYLINDER HEAD COVER	B-03	FRONT FENDER.....	H-07	HEADLAMP HOUSING...	H-06	REAR CUSHION LEVER.	L-03	STAND.....	G-04		
CARBURETOR FITTING.	C-06	CYLINDER HEAD.....	B-04	FRONT MASTER CYLIND	K-05	HEADLAMP.....	F-02	REAR FENDER.....	H-11	STARTER CLUTCH....	B-12		
CARBURETOR.....	C-04	CYLINDER.....	B-05	FRONT WHEEL.....	K-02	LABEL.....	I-05	REAR MASTER CYLINDE	L-06	STARTING MOTOR....	E-02		
CLUTCH MASTER CYLIN	K-07	ELECTRICAL.....	E-05	FUEL COCK.....	G-09	MANUAL BOX.....	H-05	REAR SWINGING ARM..	L-02	STEERING STEM....	J-08		
CLUTCH.....	D-02	FOOTREST.....	G-05	FUEL TANK.....	G-07	MUFFLER.....	C-08	REAR WHEEL.....	L-04	TAIL LAMP.....	F-06		



FIG.12

Fig.12 ( C-5 ) CARBURETOR



Ref #	Part Number	Description	Qty	Remarks
35	13418-44080	.GUIDE SCREW	4	
36	13682-31210	.CAP, STARTER VALVE	4	
37	13274-84000	.CAP	3	LH,ML,MR
38	09401-06101	.CLIP	3	LH,ML,MR
39	13295-33010	.O RING	4	
40	09352-50903-600	.HOSE (5X9X600)	1	L: 600->175
41	13683-32F00	.HOSE, BOOST (4X8)	1	
42	13685-48B00	.NIPPLE	1	
43	13281-05A00	.PLUG	4	

GSF1200SK1 E03 E28\_012  
CARBURETOR

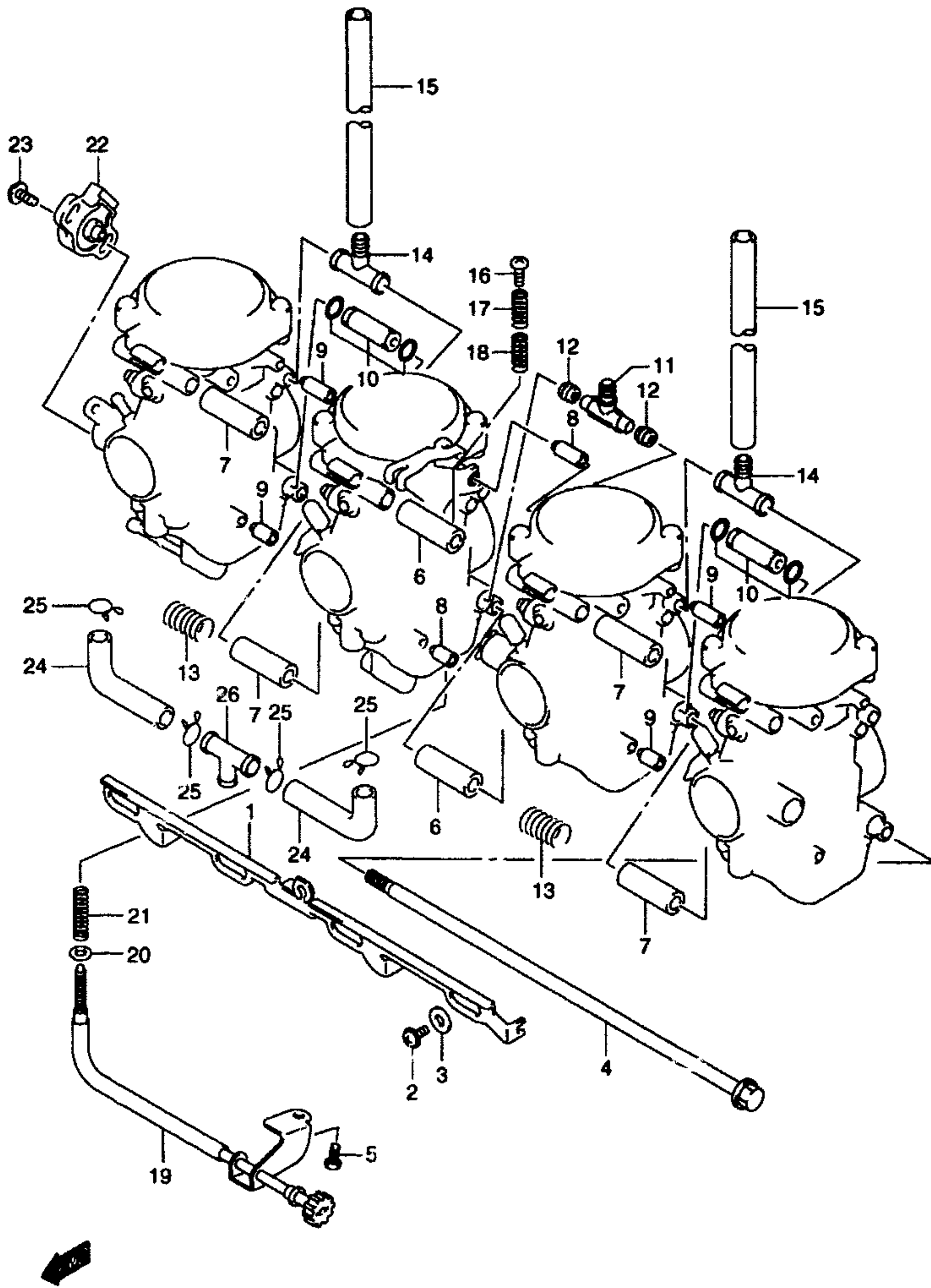
15 GSF1200, S K2 E3, E33

C5

AIR CLEANER.....	C-07	COWLING BODY.....	H-02	FRAME COVER.....	H-03	GASKET SET.....	B-02	OIL COOLER.....	C-09	SEAT TAIL COVER....	J-03	TRANSMISSION.....	D-04
ALTERNATOR.....	E-03	COWLING INSTALLATIO	H-04	FRAME.....	G-02	GEAR SHIFTING.....	D-06	OIL PAN.....	B-09	SEAT.....	J-02	TURNO SIGNAL LAMP..	F-04
BATTERY.....	E-06	CRANKCASE COVER.....	B-08	FRONT BRAKE HOSE...	K-04	HANDLE LEVER.....	H-10	OIL PUMP.....	B-10	SECOND AIR.....	C-10	WIRING HARNESS....	F-07
CAM CHAIN.....	C-03	CRANKCASE.....	B-06	FRONT CALIPERS.....	K-03	HANDLE SWITCH.....	F-09	OPTIONAL.....	L-07	SIGNAL GENERATOR...	E-04		
CAM SHAFT / VALVE..	C-02	CRANKSHAFT.....	B-11	FRONT DAMPER.....	J-07	HANDLEBAR.....	H-09	REAR CALIPER.....	L-05	SPEEDOMETER.....	E-07		
CANISTER.....	H-02	CYLINDER HEAD COVER	B-03	FRONT FENDER.....	H-07	HEADLAMP HOUSING..	H-08	REAR CUSHION LEVER	L-03	STAND.....	G-04		
CARBURETOR FITTING.	C-06	CYLINDER HEAD.....	B-04	FRONT MASTER CYLIND	K-05	HEADLAMP.....	F-02	REAR FENDER.....	H-11	STARTER CLUTCH....	B-12		
CARBURETOR.....	C-04	CYLINDER.....	B-05	FRONT WHEEL.....	K-02	LABEL.....	I-05	REAR MASTER CYLIND	L-06	STARTING MOTOR....	E-02		
CLUTCH MASTER CYLIN	K-07	ELECTRICAL.....	E-05	FUEL COCK.....	G-08	MANUAL BOX.....	H-05	REAR SWINGING ARM..	L-02	STEERING STEM....	J-08		
CLUTCH.....	D-02	FOOTREST.....	G-05	FUEL TANK.....	G-07	MUFFLER.....	C-08	REAR WHEEL.....	L-04	TAIL LAMP.....	F-06		

FIG.13

Fig.13 ( C-6 ) CARBURETOR FITTING



Ref #	Part Number	Description	Qty	Remarks
1	13413-19E00	LEVER	1	
2	13602-04F00	SCREW	3	
3	13557-33E00	PACKING	3	
4	13612-33E00	BOLT	2	
5	02112-05087	SCREW	1	
6	13685-19E20	PIPE	2	
7	13685-34E00	PIPE	4	
8	13685-19E00	ROD	2	
9	13685-19E30	ROD	4	
10	13685-08F00	PIPE	2	
11	13685-32F00	NIPPLE	1	
12	13673-44B00	SEAL	2	
13	13573-06C10	SPRING	2	
14	13683-01DB0	HOSE	2	
15	13683-40C10	HOSE (7X10.2X350)	2	
16	13267-44B00	SCREW	3	
17	13271-44B00	SPRING	3	
18	13268-96111	SPRING	3	
19	13267-32F00	ADJUST SCREW ASSY	1	
20	13432-32F00	WASHER	1	
21	13268-32F00	SPRING	1	
22	13550-13D60	SENSOR ASSY, THROTTLE	1	
23	13605-20C00	SCREW, SENSOR	2	
24	13684-48B10	HOSE	4	E33
25	09401-10410	CLIP	8	E33
26	13685-48B00	NIPPLE	2	E33

GSF1200SK1 E03 E28\_013  
CARBURETOR FITTING

16 GSF1200, S K2 E3, E33

AIR CLEANER.....	C-07	COWLING BODY.....	I-02	FRAME COVER.....	H-03	GASKET SET.....	B-02	OIL COOLER.....	C-09	SEAT TAIL COVER...	J-03	TRANSMISSION.....	D-04
ALTERNATOR.....	E-03	COWLING INSTALLATIO	I-04	FRAME.....	G-02	GEAR SHIFTING.....	D-08	OIL PAN.....	B-09	SEAT.....	J-02	TURN SIGNAL LAMP...	F-04
BATTERY.....	E-08	CRANKCASE COVER...	B-08	FRONT BRAKE HOSE...	K-04	HANDLE LEVER.....	H-10	OIL PUMP.....	B-10	SECOND AIR.....	C-10	WIRING HARNESS.....	F-07
CAM CHAIN.....	C-03	CRANKCASE.....	B-06	FRONT CALIPERS.....	K-03	HANDLE SWITCH.....	F-09	OPTIONAL.....	L-07	SIGNAL GENERATOR...	E-04		
CAM SHAFT / VALVE...	C-02	CRANKSHAFT.....	B-11	FRONT DAMPER.....	J-07	HANDLEBAR.....	H-09	REAR CALIPER.....	L-05	SPEEDOMETER.....	E-07		
CANISTER.....	H-02	CYLINDER HEAD COVER	B-03	FRONT FENDER.....	H-07	HEADLAMP HOUSING...	H-06	REAR CUSHION LEVER.	L-03	STAND.....	G-04		
CARBURETOR FITTING.	C-06	CYLINDER HEAD.....	B-04	FRONT MASTER CYLIND	K-05	HEADLAMP.....	F-02	REAR FENDER.....	H-11	STARTER CLUTCH.....	B-12		
CARBURETOR.....	C-04	CYLINDER.....	B-05	FRONT WHEEL.....	K-02	LABEL.....	I-05	REAR MASTER CYLINDE	L-06	STARTING MOTOR.....	E-02		
CLUTCH MASTER CYLIN	K-07	ELECTRICAL.....	E-05	FUEL COCK.....	G-06	MANUAL BOX.....	H-05	REAR SWINGING ARM.	L-02	STEERING STEM.....	J-08		
CLUTCH.....	D-02	FOOTREST.....	G-05	FUEL TANK.....	G-07	MUFFLER.....	C-08	REAR WHEEL.....	L-04	TAIL LAMP.....	F-06		



FIG.14

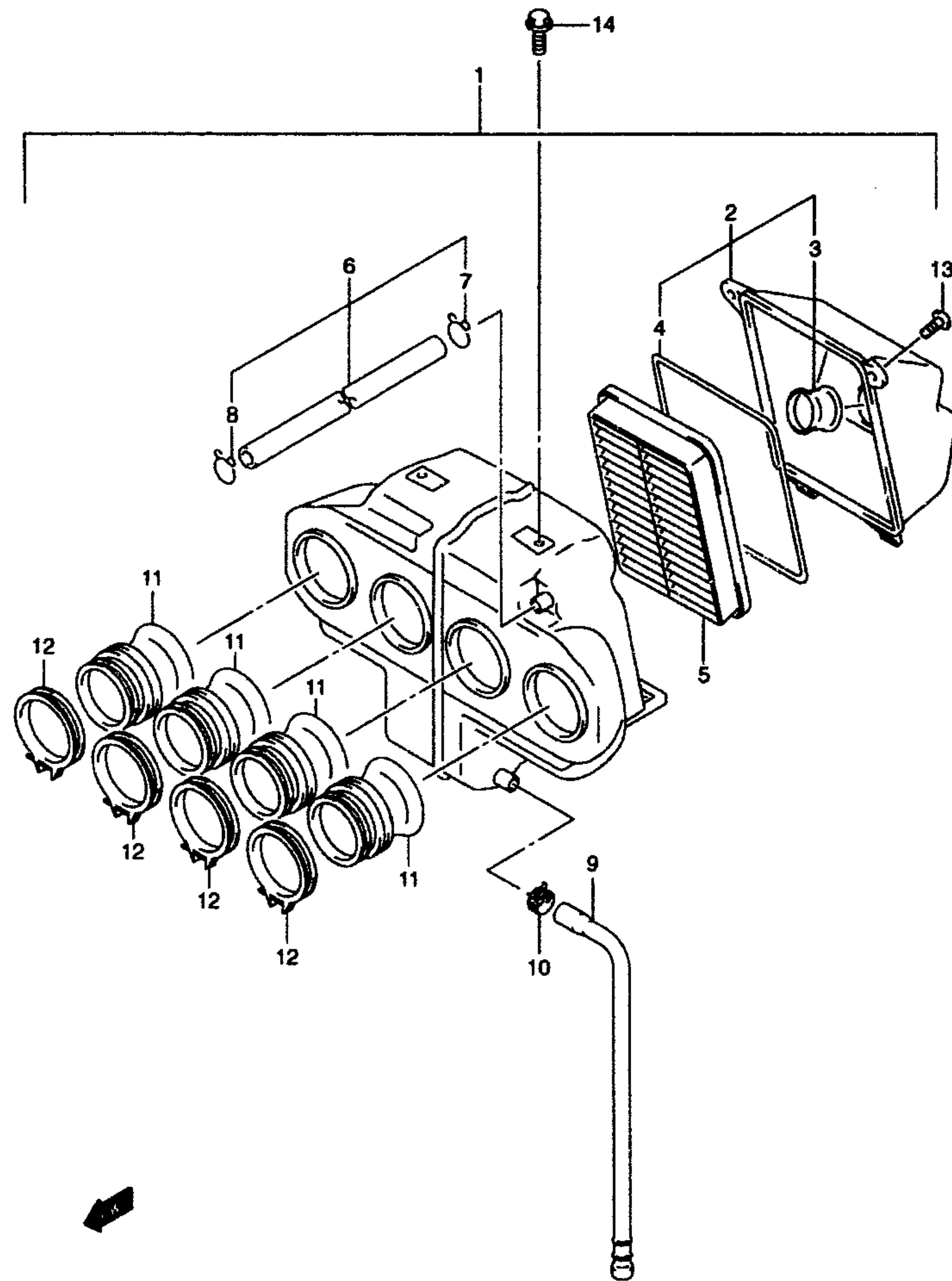


Fig.14 ( C-7 ) AIR CLEANER

Ref #	Part Number	Description	Qty	Remarks
1	13700-32F00	CLEANER ASSY, AIR	1	
2	13740-32F00	.CAP, AIR CLEANER	1	
3	13891-31E10	..TUBE, INLET	1	
4	13746-31F00	..GASKET, AIR CLEANER CAP	1	
5	13780-31F00	.FILTER, AIR	1	
6	13850-31F00	.TUBE, BREATHER	1	
7	09401-14404	..CLIP	1	
8	09401-16401	..CLIP	1	
9	13870-21458	.TUBE, DRAIN	1	
10	09401-13417	.CLIP	1	
11	13881-32F00	.TUBE, OUTLET	4	
12	09402-54208	.CLAMP	4	
13	02142-05123	.SCREW	2	
14	01550-06123	BOLT	2	

GSF1200SK1 E03 E28\_014  
AIR CLEANER

17 GSF1200, S K2 E3, E33

C7

AIR CLEANER.....	C-07	COWLING BODY.....	H-02	FRAME COVER.....	H-03	GASKET SET.....	B-02	OIL COOLER.....	C-08	SEAT TAIL COVER....	J-03	TRANSMISSION.....	D-04
ALTERNATOR.....	E-03	COWLING INSTALLATIO	H-04	FRAME.....	G-02	GEAR SHIFTING.....	D-08	OIL PAN.....	B-09	SEAT.....	J-02	TURN SIGNAL LAMP...	F-04
BATTERY.....	E-08	CRANKCASE COVER...	B-08	FRONT BRAKE HOSE...	K-04	HANDLE LEVER.....	H-10	OIL PUMP.....	B-10	SECOND AIR.....	C-10	WIRING HARNESS....	F-07
CAM CHAIN.....	C-03	CRANKCASE.....	B-08	FRONT CALIPERS.....	K-03	HANDLE SWITCH.....	F-09	OPTIONAL.....	L-07	SIGNAL GENERATOR ..	E-04		
CAM SHAFT / VALVE..	C-02	CRANKSHAFT.....	B-11	FRONT DAMPER.....	J-07	HANDLEBAR.....	H-09	REAR CALIPER.....	L-05	SPEEDOMETER.....	E-07		
CANISTER.....	H-02	CYLINDER HEAD COVER	B-03	FRONT FENDER.....	H-07	HEADLAMP HOUSING...	H-08	REAR CUSHION LEVER.	L-03	STAND.....	G-04		
CARBURETOR FITTING.	C-08	CYLINDER HEAD.....	B-04	FRONT MASTER CYLIND	K-06	HEADLAMP.....	F-02	REAR FENDER.....	H-11	STARTER CLUTCH.....	B-12		
CARBURETOR.....	C-04	CYLINDER.....	B-05	FRONT WHEEL.....	K-02	LABEL.....	F-05	REAR MASTER CYLINDE	L-06	STARTING MOTOR.....	E-02		
CLUTCH MASTER CYLIN	K-07	ELECTRICAL.....	E-05	FUEL COCK.....	G-09	MANUAL BOX.....	H-05	REAR SWINGING ARM..	L-02	STEERING STEM.....	J-08		
CLUTCH.....	D-02	FOOTREST.....	G-05	FUEL TANK.....	G-07	MUFFLER.....	C-08	REAR WHEEL.....	L-04	TAIL LAMP.....	F-06		





FIG.16

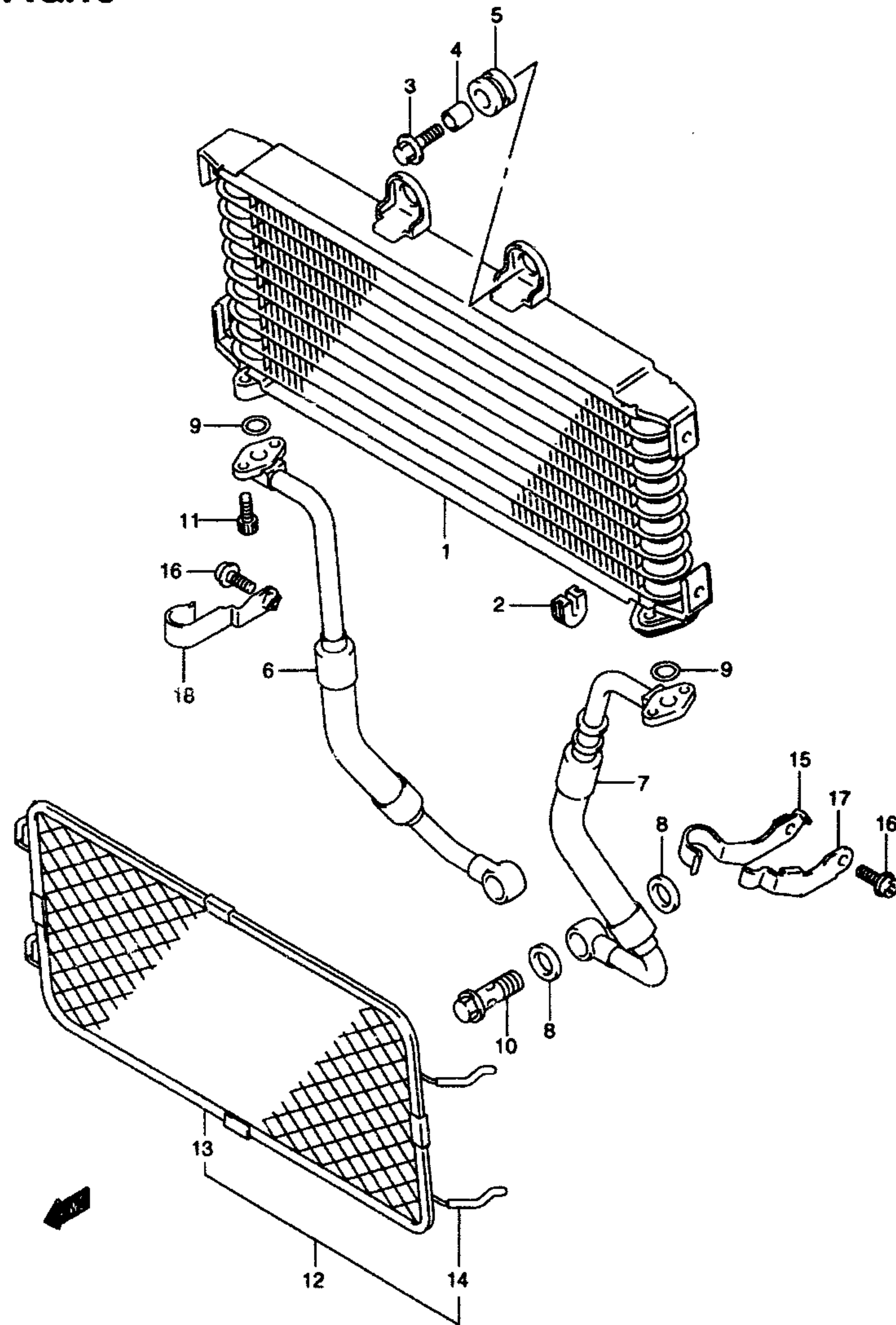


Fig.16 ( C-9 ) OIL COOLER

Ref #	Part Number	Description	Qty	Remarks
1-1	16600-32F10	COOLER ASSY, OIL	1	MODEL K1
1-2	16600-47F00	COOLER ASSY, OIL	1	MODEL K2
2	16628-27A00	CUSHION	2	
3-1	09116-06115	BOLT (6X20)	2	MODEL K1
3-2	09116-06167	BOLT (6X20)	2	MODEL K2
4	09180-06310	SPACER (6.5X10X10)	2	
5	09320-10015	CUSHION	2	
6-1	16460-32F00	HOSE, OIL COOLER RH	1	MODEL K1
6-2	16460-47F00	HOSE, OIL COOLER RH	1	MODEL K2
7-1	16470-32F00	HOSE, OIL COOLER LH	1	MODEL K1
7-2	16470-47F00	HOSE, OIL COOLER LH	1	MODEL K2
8	09168-16002	GASKET (16X22X2)	4	
9	09280-12012	O RING (D:2.4, ID:11.8)	2	
10	09360-16002	BOLT (16X32)	2	
11	07130-06163	BOLT	4	
12	16650-32F00	GUARD, OIL COOLER	1	
13	17765-09F00	.PROTECTOR, CENTER	2	
14	09352-30503-600	.HOSE (3X5X600)	4	L: 600->40
15	16490-32F01	CLAMP, OIL HOSE LH	1	
16-1	09106-06099	BOLT	1	MODEL K1
16-2	09106-06099	BOLT	2	MODEL K2
17	16492-32F00	GUIDE, OIL HOSE LH	1	
18	16490-47F00	CLAMP, OIL HOSE	1	MODEL K2

GSF1200SK1 E03 E28\_016  
OIL COOLER

19 GSF1200, S K2 E3, E33

AIR CLEANER.....	C-07	COWLING BODY.....	I-02	FRAME COVER.....	H-03	GASKET SET.....	B-02	OIL COOLER.....	C-09	SEAT TAIL COVER.....	J-03	TRANSMISSION.....	D-04
ALTERNATOR.....	E-03	COWLING INSTALLATIO	I-04	FRAME.....	G-02	GEAR SHIFTING.....	D-06	OIL PAN.....	B-09	SEAT.....	J-02	TURN SIGNAL LAMP...	F-04
BATTERY.....	E-06	CRANKCASE COVER...	B-08	FRONT BRAKE HOSE...	K-04	HANDLE LEVER.....	H-10	OIL PUMP.....	B-10	SECOND AIR.....	C-10	WIRING HARNESS.....	F-07
CAM CHAIN.....	C-03	CRANKCASE.....	B-06	FRONT CALIPERS.....	K-03	HANDLE SWITCH.....	F-09	OPTIONAL.....	L-07	SIGNAL GENERATOR...	E-04		
CAM SHAFT / VALVE..	C-02	CRANKSHAFT.....	B-11	FRONT DAMPER.....	J-07	HANDLEBAR.....	H-09	REAR CALIPER.....	L-05	SPEEDOMETER.....	E-07		
CANISTER.....	H-02	CYLINDER HEAD COVER	B-03	FRONT FENDER.....	H-07	HEADLAMP HOUSING...	H-06	REAR CUSHION LEVER.	L-03	STAND.....	G-04		
CARBURETOR FITTING.	C-06	CYLINDER HEAD.....	B-04	FRONT MASTER CYLIND	K-05	HEADLAMP.....	F-02	REAR FENDER.....	H-11	STARTER CLUTCH....	B-12		
CARBURETOR.....	C-04	CYLINDER.....	B-05	FRONT WHEEL.....	K-02	LABEL.....	I-05	REAR MASTER CYLIND	L-06	STARTING MOTOR....	E-02		
CLUTCH MASTER CYLIN	K-07	ELECTRICAL.....	E-05	FUEL COCK.....	G-09	MANUAL BOX.....	H-05	REAR SWINGING ARM..	L-02	STEERING STEM.....	J-08		
CLUTCH.....	D-02	FOOTREST.....	G-05	FUEL TANK.....	G-07	MUFFLER.....	C-06	REAR WHEEL.....	L-04	TAIL LAMP.....	F-06		

FIG.17

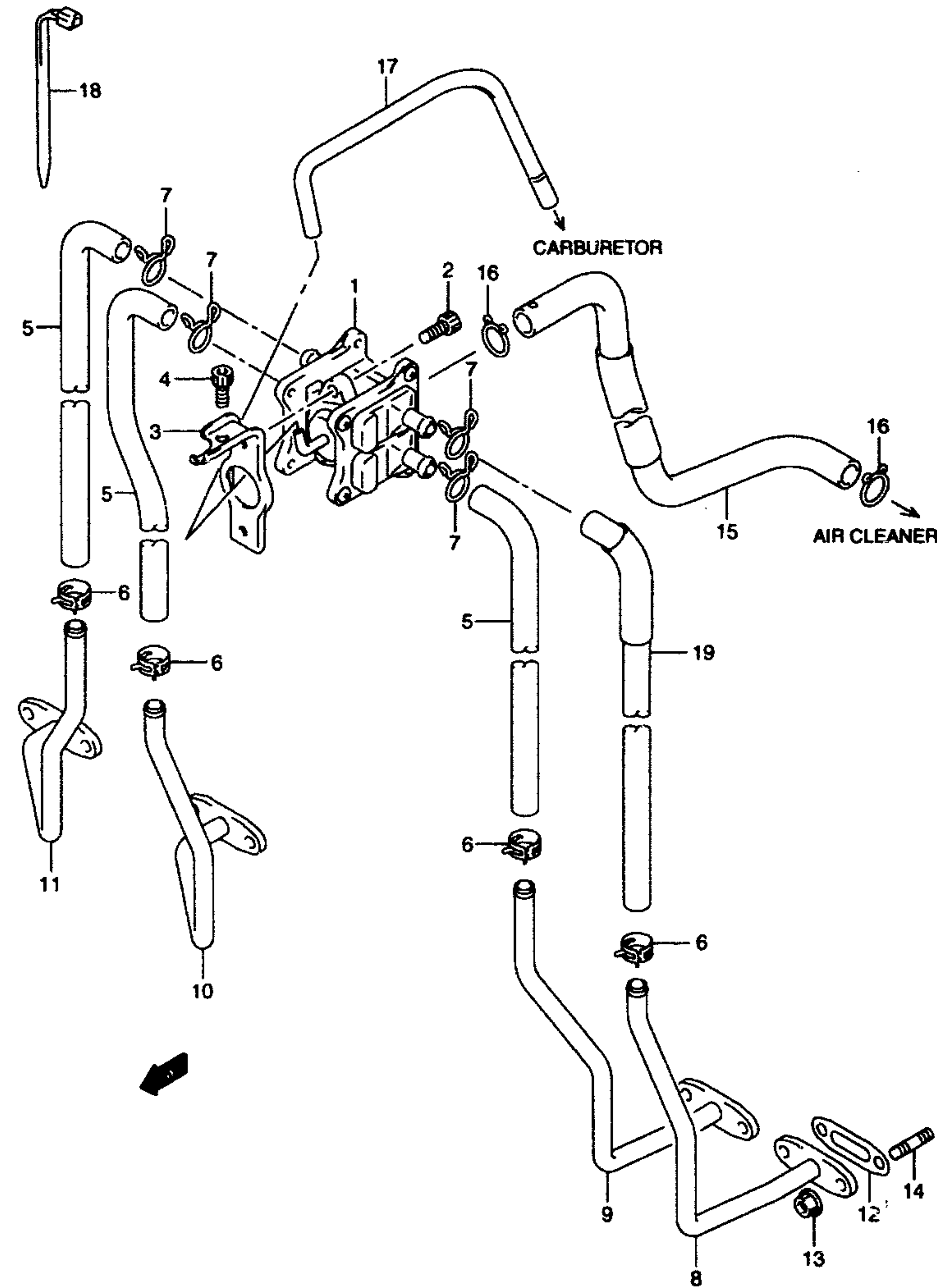


Fig.17 ( C-10) SECOND AIR

Ref #	Part Number	Description	Qty	Remarks
1	18450-33E12	VALVE ASSY, 2ND AIR	1	
2	07130-06163	BOLT	2	
3	18610-31F00	BRACKET, 2ND AIR	1	
4	07120-06103	BOLT	1	
5	18461-31F00	HOSE, 2ND AIR VALVE NO.1	3	
6	09401-13417	CLIP	4	
7	09401-13409	CLIP	4	
8	18410-31F00	PIPE, 2ND AIR NO.1	1	
9	18420-31F00	PIPE, 2ND AIR NO.2	1	
10	18430-31F00	PIPE, 2ND AIR NO.3	1	
11	18440-31F00	PIPE, 2ND AIR NO.4	1	
12	18441-17C10	GASKET, 2ND AIR PIPE	4	
13	08316-10063	NUT	8	
14	01421-06163	STUD BOLT	8	
15	18711-31F00	HOSE, 2ND AIR CLEANER	1	
16	09401-15101	CLIP	2	
17	09359-40701-600	HOSE (4X7X600)	1	L: 600->180
18	09407-18402	CLAMP (L:165)	1	
19	18460-32F00	HOSE, 2ND AIR VALVE NO.1	1	

GSF1200SK1 E03 E28\_017  
2ND AIR

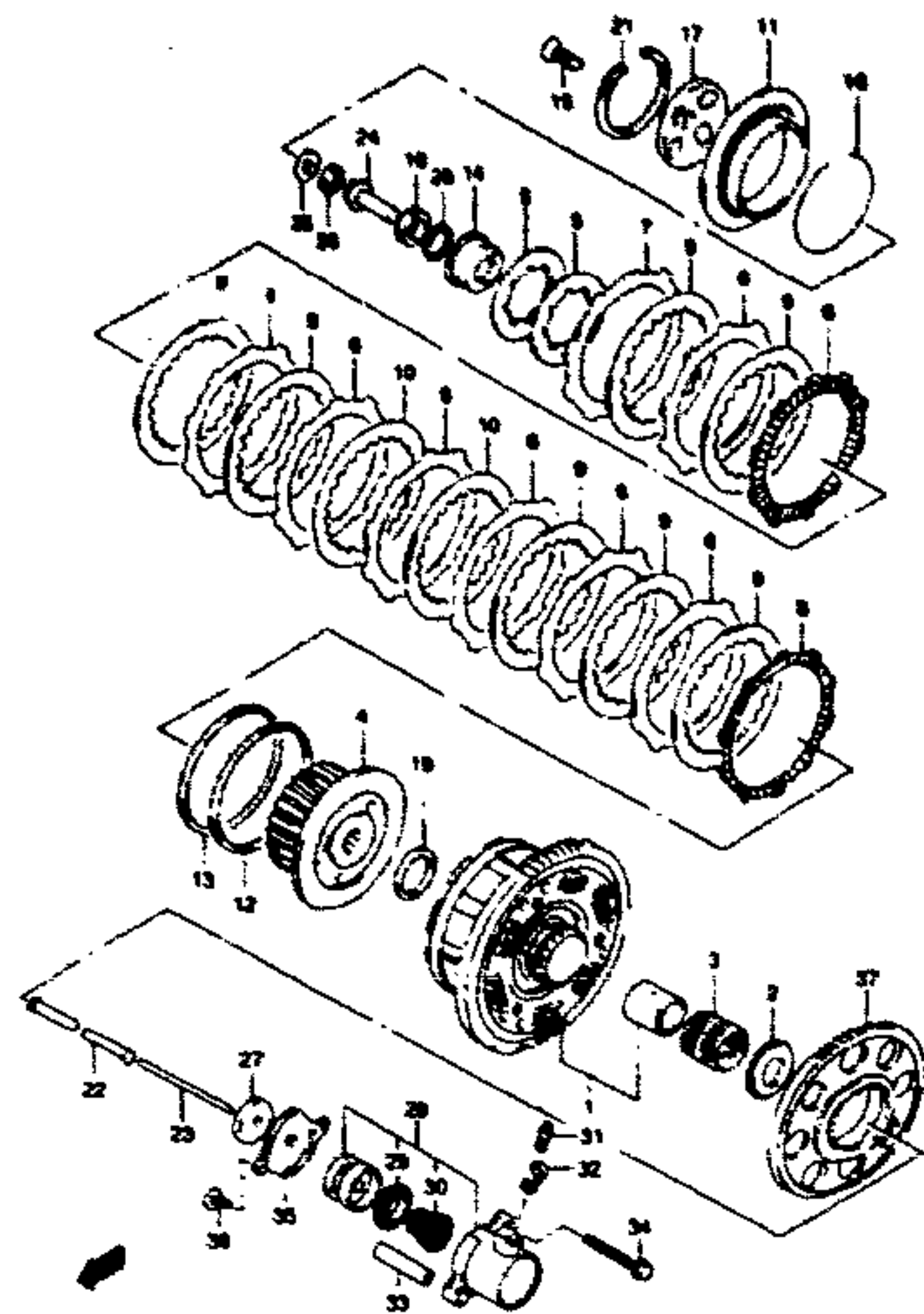
20 GSF1200, S K2 E3, E33

C 10

AIR CLEANER.....	C-07	COWLING BODY.....	I-02	FRAME COVER.....	H-03	GASKET SET.....	B-02	OIL COOLER.....	C-09	SEAT TAIL COVER.....	J-03	TRANSMISSION.....	D-04
ALTERNATOR.....	E-03	COWLING INSTALLATIO.....	I-04	FRAME.....	G-02	GEAR SHIFTING.....	D-06	OIL PAN.....	B-09	SEAT.....	J-02	TURN SIGNAL LAMP.....	F-04
BATTERY.....	E-06	CRANKCASE COVER.....	B-08	FRONT BRAKE HOSE.....	K-04	HANDLE LEVER.....	H-10	OIL PUMP.....	B-10	SECOND AIR.....	C-10	WIRING HARNESS.....	F-07
CAM CHAIN.....	C-03	CRANKCASE.....	B-06	FRONT CALIPERS.....	K-03	HANDLE SWITCH.....	F-09	OPTIONAL.....	L-07	SIGNAL GENERATOR.....	E-04		
CAM SHAFT / VALVE.....	C-02	CRANKSHAFT.....	B-11	FRONT DAMPER.....	J-07	HANDLEBAR.....	H-09	REAR CALIPER.....	L-05	SPEEDOMETER.....	E-07		
CANISTER.....	H-02	CYLINDER HEAD COVER.....	B-03	FRONT FENDER.....	H-07	HEADLAMP HOUSING.....	H-06	REAR CUSHION LEVER.....	L-03	STAND.....	G-04		
CARBURETOR FITTING.....	C-06	CYLINDER HEAD.....	B-04	FRONT MASTER CYLIND.....	K-05	HEADLAMP.....	F-02	REAR FENDER.....	H-11	STARTER CLUTCH.....	B-12		
CARBURETOR.....	C-04	CYLINDER.....	B-05	FRONT WHEEL.....	K-02	LABEL.....	I-05	REAR MASTER CYLINDOE.....	L-06	STARTING MOTOR.....	E-02		
CLUTCH MASTER CYLIN.....	K-07	ELECTRICAL.....	E-05	FUEL COCK.....	G-09	MANUAL BOX.....	H-05	REAR SWINGING ARM.....	L-02	STEERING STEM.....	J-08		
CLUTCH.....	D-02	FOOTREST.....	G-05	FUEL TANK.....	G-07	MUFFLER.....	C-06	REAR WHEEL.....	L-04	TAIL LAMP.....	F-06		



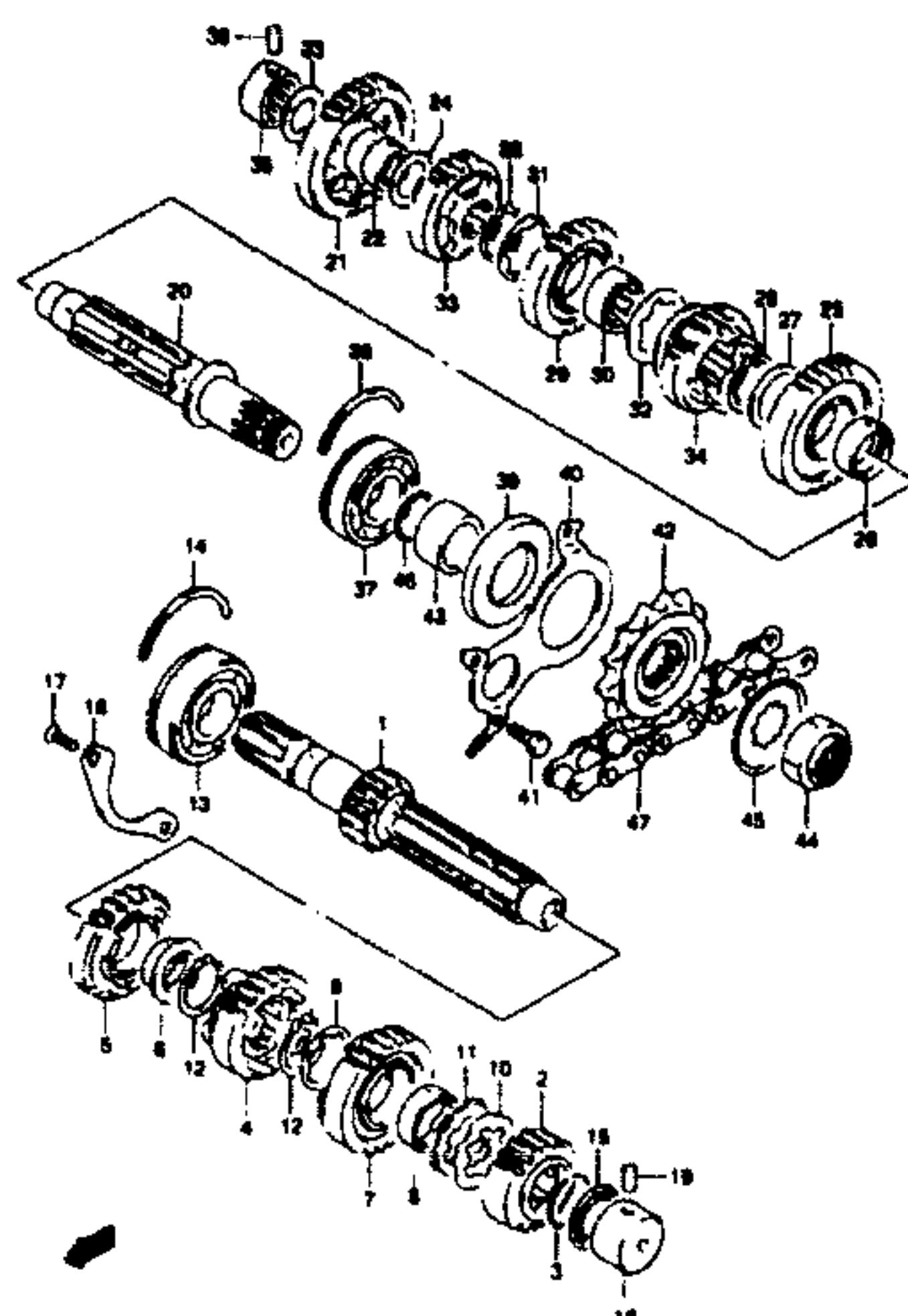
FIG.18



GSF1200SK1 E03 E28\_018  
CLUTCH

D 2

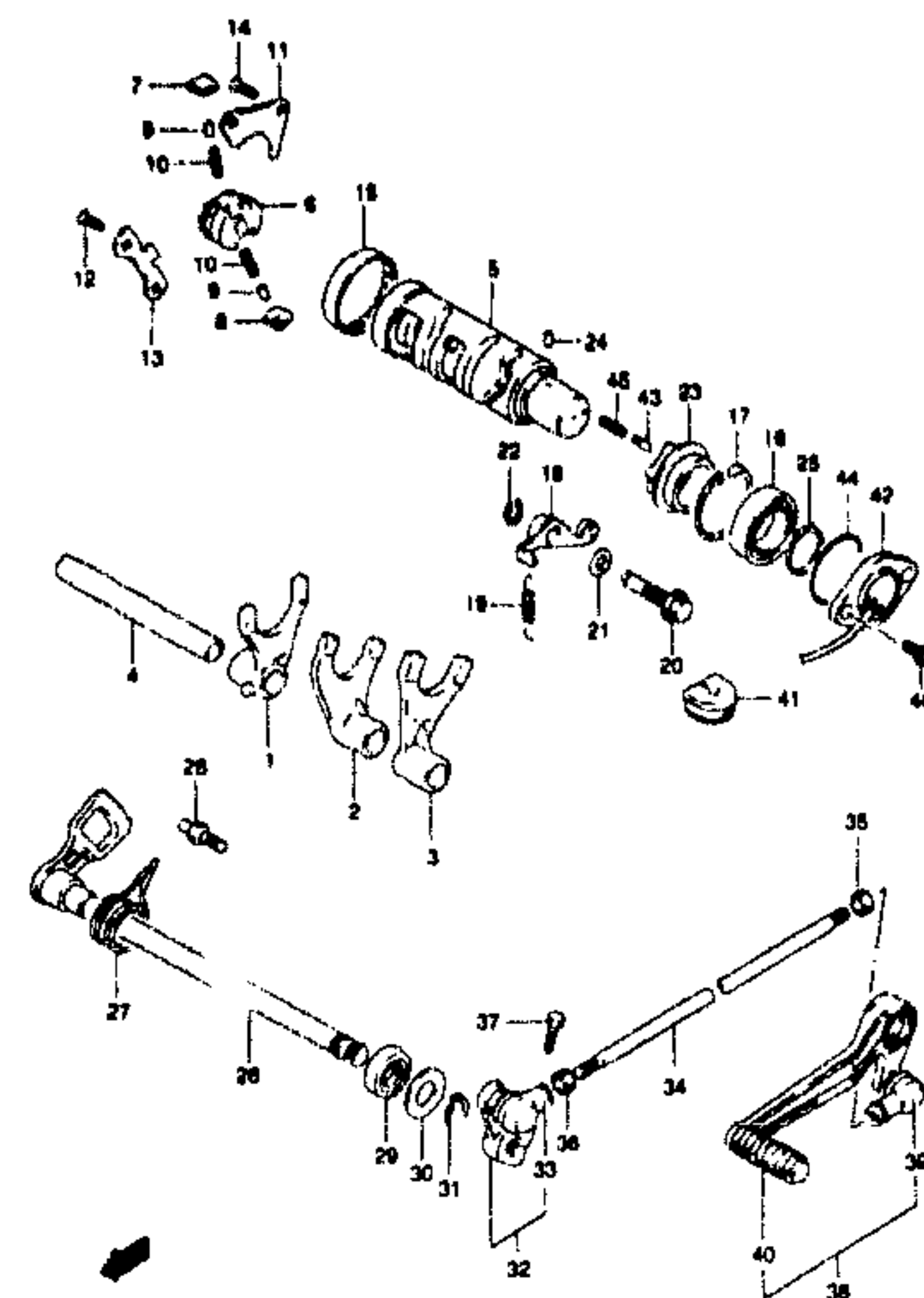
FIG.19



GSF1200SK1 E03 E28\_019  
TRANSMISSION

D 4

FIG.20



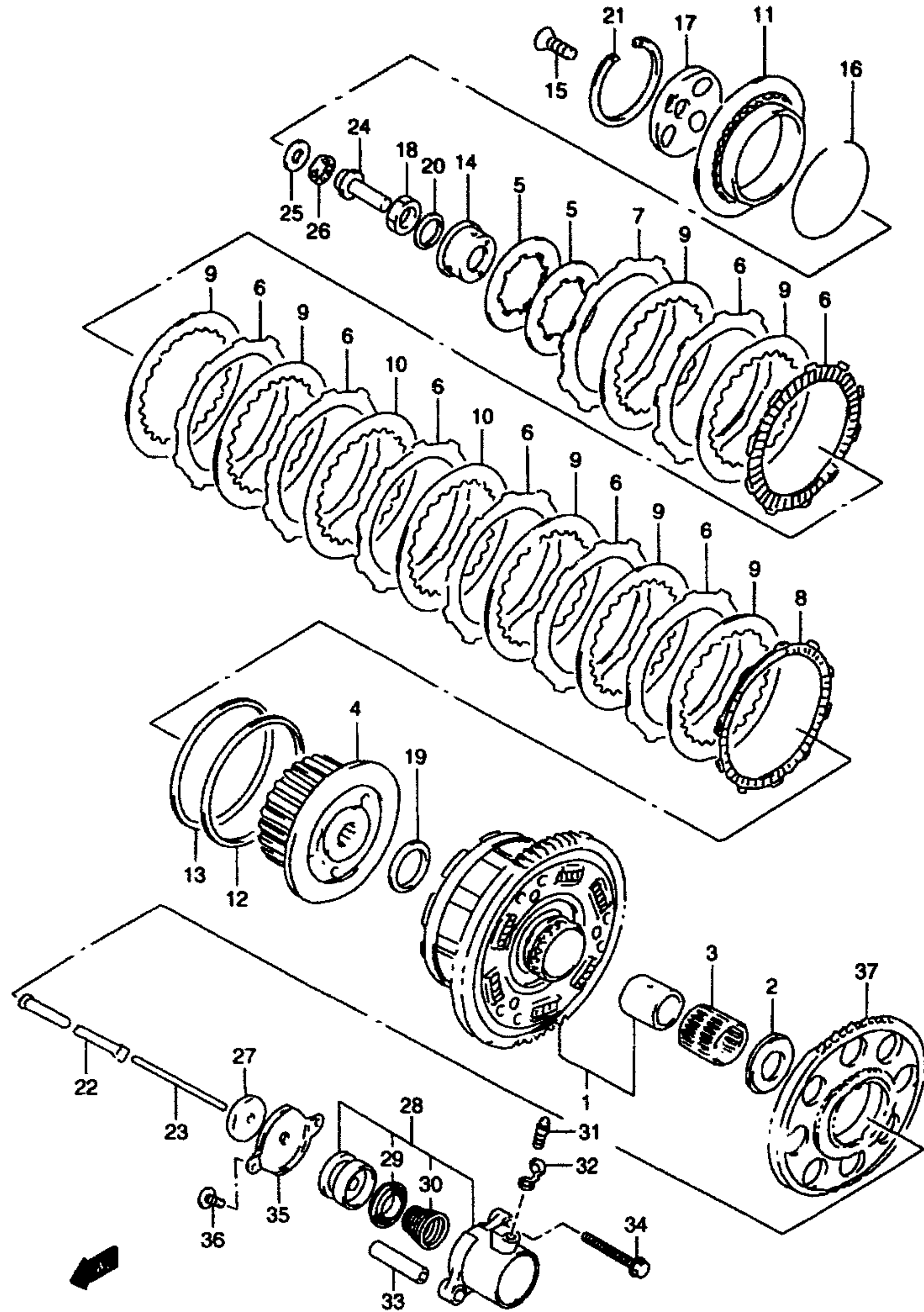
D 6

D 1

AIR CLEANER.....	C-07	COWLING BODY.....	I-02	FRAME COVER.....	H-03	GASKET SET.....	B-02	OIL COOLER.....	C-09	SEAT TAIL COVER....	J-03	TRANSMISSION.....	D-04
ALTERNATOR.....	E-03	COWLING INSTALLATIO	I-04	FRAME.....	G-02	GEAR SHIFTING.....	D-08	OIL PAN.....	B-09	SEAT.....	J-02	TURN SIGNAL LAMP ..	F-04
BATTERY.....	E-06	CRANKCASE COVER....	B-08	FRONT BRAKE HOSE...	K-04	HANDLE LEVER.....	H-10	OIL PUMP.....	B-10	SECOND AIR.....	C-10	WIRING HARNESS....	F-07
CAM CHAIN.....	C-03	CRANKCASE.....	B-06	FRONT CALIPERS.....	K-03	HANDLE SWITCH.....	F-09	OPTIONAL.....	L-07	SIGNAL GENERATOR...	E-04		
CAM SHAFT / VALVE..	C-02	CRANKSHAFT.....	B-11	FRONT DAMPER.....	J-07	HANDLEBAR.....	H-09	REAR CALIPER.....	L-05	SPEEDOMETER.....	E-07		
CANISTER.....	H-02	CYLINDER HEAD COVER	B-03	FRONT FENDER.....	H-07	HEADLAMP HOUSING ..	H-08	REAR CUSHION LEVER	L-03	STAND.....	G-04		
CARBURETOR FITTING	C-06	CYLINDER HEAD.....	B-04	FRONT MASTER CYLIND	K-05	HEADLAMP.....	F-02	REAR FENDER.....	H-11	STARTER CLUTCH.....	B-12		
CARBURETOR.....	C-04	CYLINDER.....	B-05	FRONT WHEEL.....	K-02	LABEL.....	I-05	REAR MASTER CYLINDE	L-06	STARTING MOTOR.....	E-02		
CLUTCH MASTER CYLIN	K-07	ELECTRICAL.....	E-05	FUEL COCK.....	G-09	MANUAL BOX.....	H-05	REAR SWINGING ARM..	L-02	STEERING STEM.....	J-08		
CLUTCH.....	D-02	FOOTREST.....	G-05	FUEL TANK.....	G-07	MUFFLER.....	C-08	REAR WHEEL.....	L-04	TAIL LAMP.....	F-06		

FIG.18

Fig.18 ( D-2 ) CLUTCH



Ref #	Part Number	Description	Qty	Remarks
1	21200-31861	GEAR ASSY, PRIMARY DRIVEN	1	NT:72
2	09160-25037	WASHER (25.1X54X2.5)	1	
3	09263-35017	BEARING (35X40X35.8)	1	
4	21410-31E50	HUB, CLUTCH SLEEVE	1	
5	09164-47001	SPRING, CLUTCH	2	
6	21441-31E70	PLATE, CLUTCH DRIVE NO.1	8	
7	21441-31E60	PLATE, CLUTCH DRIVE NO.2	1	
8	21442-31E21	PLATE, CLUTCH DRIVE NO.3	1	
9	21451-31E00	PLATE, CLUTCH DRIVEN NO.1	7	T:1.6
10	21451-31E10	PLATE, CLUTCH DRIVEN NO.2	2	T:2.0
11	21462-31E20	DISK, CLUTCH PRESSURE	1	
12	21471-31E20	SEAT, CLUTCH PLATE	1	
13	21472-02F00	WASHER, CLUTCH PLATE	1	
14	21611-31E30	HOLDER, CLUTCH SPRING	1	
15	21614-31E20	SCREW, CLUTCH SPRING	2	
16	21623-31E20	SEAT, CLUTCH SPRING	1	
17	21463-40C01	LIFTER, CLUTCH RELEASE	1	
18	09159-24010	NUT, CLUTCH SLEEVE HUB	1	
19	09160-25056	WASHER, CLUTCH SLEEVE	1	25X50X2.5
20	09164-24006	WASHER, CLUTCH WAVE	1	24.2X35X2
21	09381-84003	CIRCLIP, CLUTCH PRESSURE	1	
22	23110-38B00	ROD, CLUTCH PUSH RH	1	
23	23111-31301	ROD, CLUTCH PUSH LH	1	
24	23121-31E00	PIECE, CLUTCH PUSH	1	
25	09160-15045	WASHER, CLUTCH PUSH	1	15.5X28X1
26	09263-15003	BEARING, CLUTCH PUSH	1	15X28X2
27	09285-06015	SEAL, CLUTCH PUSH ROD	1	6X34X5.5
28	23160-08A02	CYLINDER, CLUTCH RELEASE	1	

GSF1200SK1 E03 E28\_018  
CLUTCH

21 GSF1200, S K2 E3, E33

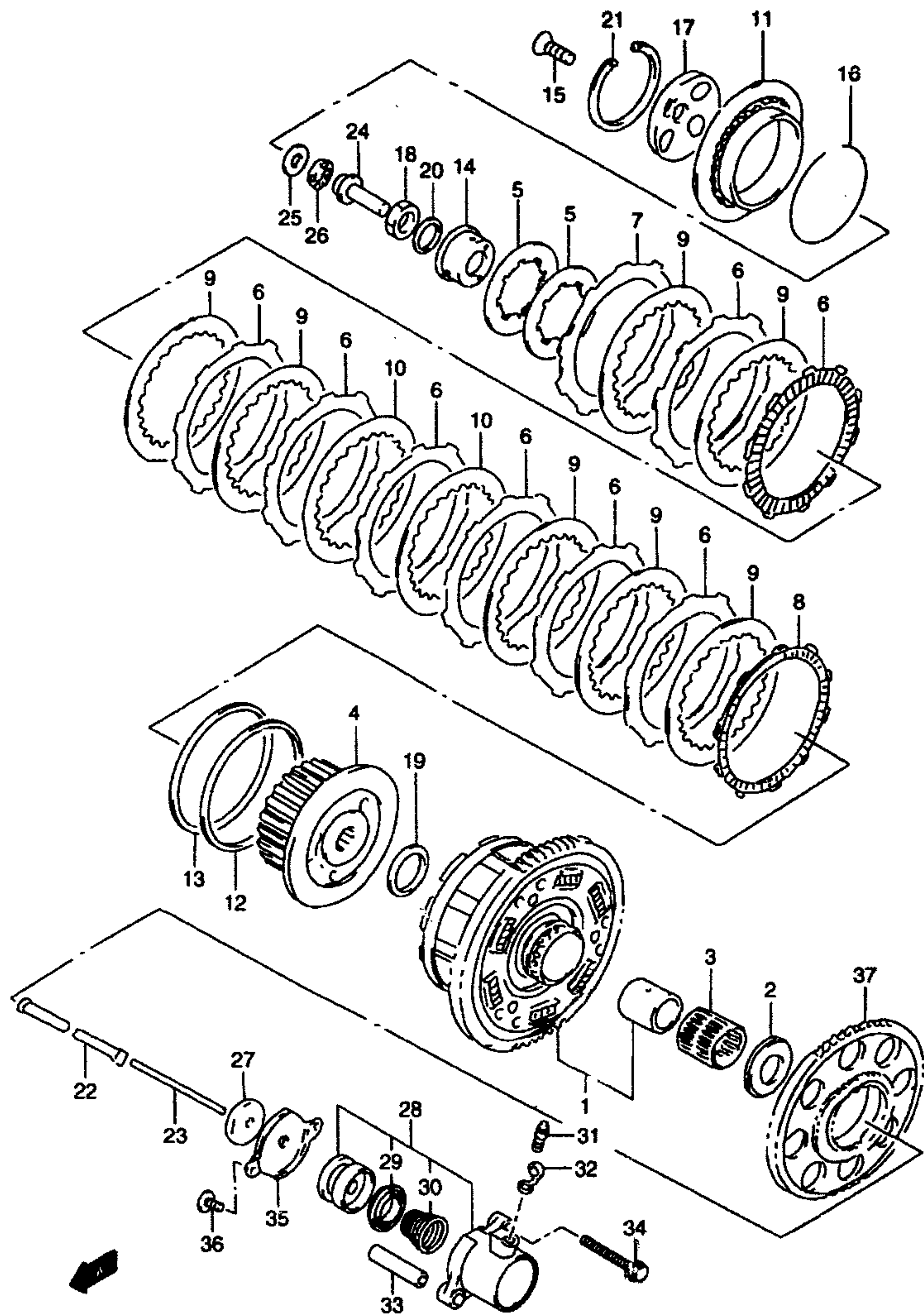
D2

AIR CLEANER.....	C-07	COWLING BODY.....	I-02	FRAME COVER.....	H-03	GASKET SET.....	B-02	OIL COOLER.....	C-09	SEAT TAIL COVER.....	J-03	TRANSMISSION.....	D-04
ALTERNATOR.....	E-03	COWLING INSTALLATIO	I-04	FRAME.....	G-02	GEAR SHIFTING.....	D-06	OIL PAN.....	B-09	SEAT.....	J-02	TURN SIGNAL LAMP.....	F-04
BATTERY.....	E-03	CRANKCASE COVER.....	B-08	FRONT BRAKE HOSE.....	K-04	HANDLE LEVER.....	H-10	OIL PUMP.....	B-10	SECOND AIR.....	C-10	WIRING HARNESS.....	F-07
CAM CHAIN.....	C-03	CRANKCASE.....	B-06	FRONT CALIPERS.....	K-03	HANDLE SWITCH.....	F-09	OPTIONAL.....	L-07	SIGNAL GENERATOR.....	E-04		
CAM SHAFT / VALVE.....	C-02	CRANKSHAFT.....	B-11	FRONT DAMPER.....	J-07	HANDLEBAR.....	H-09	REAR CALIPER.....	L-05	SPEEDOMETER.....	E-07		
CANISTER.....	H-02	CYLINDER HEAD COVER	B-03	FRONT FENDER.....	H-07	HEADLAMP HOUSING.....	H-06	REAR CUSHION LEVER.....	L-03	STAND.....	G-04		
CARBURETOR FITTING.....	C-06	CYLINDER HEAD.....	B-04	FRONT MASTER CYLIND	K-05	HEADLAMP.....	F-02	REAR FENDER.....	H-11	STARTER CLUTCH.....	B-12		
CARBURETOR.....	C-04	CYLINDER.....	B-05	FRONT WHEEL.....	K-02	LABEL.....	L-05	REAR MASTER CYLINDE	L-08	STARTING MOTOR.....	E-02		
CLUTCH MASTER CYLIN	K-07	ELECTRICAL.....	E-05	FUEL COCK.....	G-09	MANUAL BOX.....	H-05	REAR SWINGING ARM.....	L-02	STEERING STEM.....	J-08		
CLUTCH.....	D-02	FOOTREST.....	G-05	FUEL TANK.....	G-07	MUFFLER.....	C-06	REAR WHEEL.....	L-04	TAIL LAMP.....	F-06		



FIG.18

Fig.18 ( D-3 ) CLUTCH



Ref #	Part Number	Description	Qty	Remarks
29	23163-05A00	.CUP	1	
30	23164-05A00	.SPRING	1	
31	59121-01A00	.BLEEDER	1	
32	59122-01A00	.CAP, BLEEDER	1	
33	04211-09129	KNOCK PIN	2	
34	07130-06253	BOLT	2	
35	23117-46E00	COVER, CLUTCH RELEASE	1	
36	02112-06103	SCREW	2	
37	22721-27A03	GEAR, GENERATOR DRIVE	1	NT:68/34

GSF1200SK1 E03 E28\_018  
CLUTCH

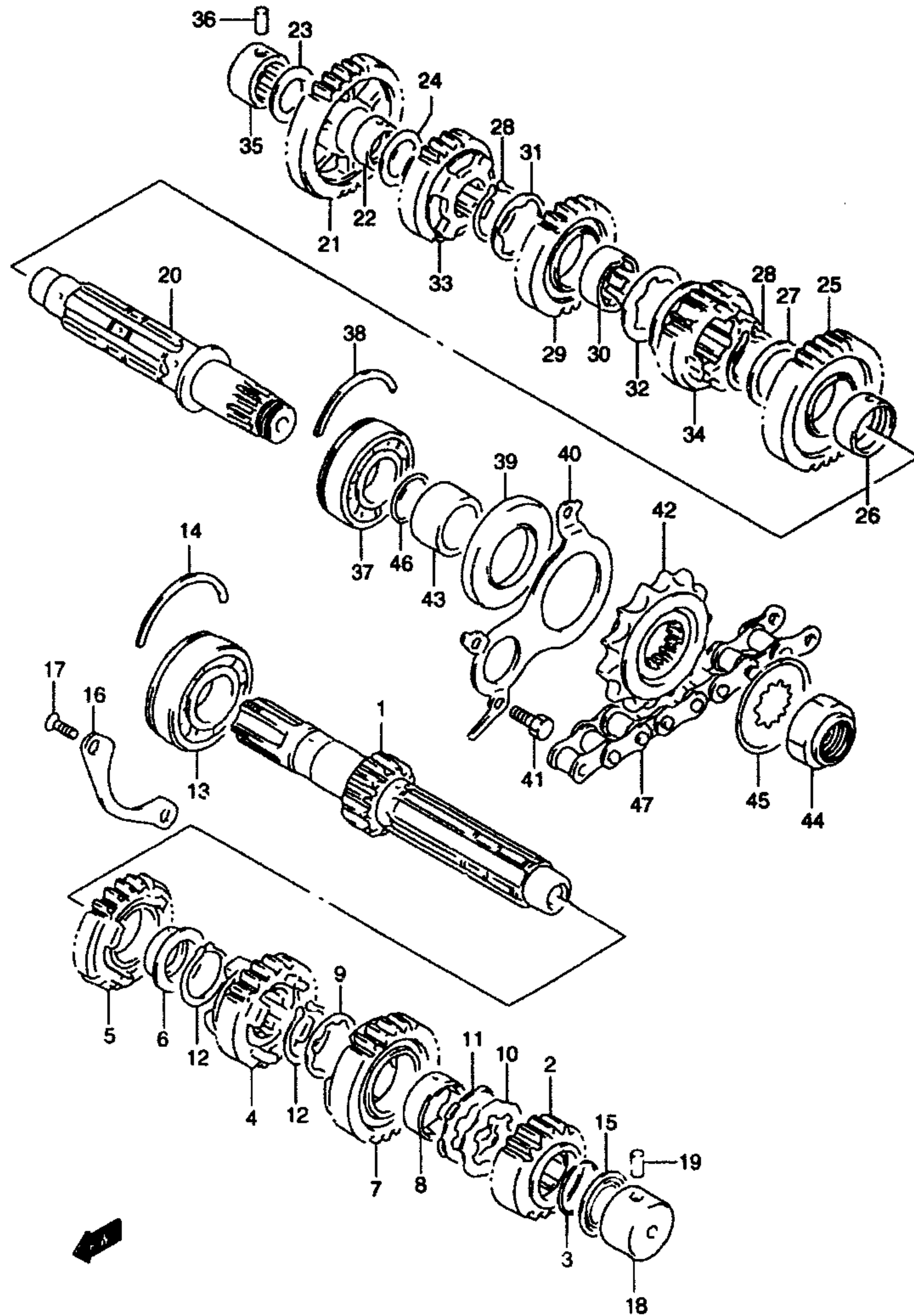
22 GSF1200, S K2 E3, E33

D 3

AIR CLEANER.....	C-07	COWLING BODY.....	I-02	FRAME COVER.....	H-03	GASKET SET.....	B-02	OIL COOLER.....	C-09	SEAT TAIL COVER.....	J-03	TRANSMISSION.....	D-04
ALTERNATOR.....	E-03	COWLING INSTALLATIO	I-04	FRAME.....	G-02	GEAR SHIFTING.....	D-06	OIL PAN.....	B-09	SEAT.....	J-02	TURN SIGNAL LAMP...	F-04
BATTERY.....	E-08	CRANKCASE COVER.....	B-08	FRONT BRAKE HOSE.....	K-04	HANDLE LEVER.....	H-10	OIL PUMP.....	B-10	SECOND AIR.....	C-10	WIRING HARNESS.....	F-07
CAM CHAIN.....	C-03	CRANKCASE.....	B-06	FRONT CALIPERS.....	K-03	HANDLE SWITCH.....	F-09	OPTIONAL.....	L-07	SIGNAL GENERATOR.....	E-04		
CAM SHAFT / VALVE.....	C-02	CRANKSHAFT.....	B-11	FRONT DAMPER.....	J-07	HANDLEBAR.....	H-09	REAR CALIPER.....	L-05	SPEEDOMETER.....	E-07		
CANISTER.....	H-02	CYLINDER HEAD COVER	B-03	FRONT FENDER.....	H-07	HEADLAMP HOUSING...	H-06	REAR CUSHION LEVER.	L-03	STAND.....	G-04		
CARBURETOR FITTING.	C-06	CYLINDER HEAD.....	B-04	FRONT MASTER CYLIND	K-05	HEADLAMP.....	F-02	REAR FENDER.....	H-11	STARTER CLUTCH.....	B-12		
CARBURETOR.....	C-04	CYLINDER.....	B-05	FRONT WHEEL.....	K-02	LABEL.....	I-05	REAR MASTER CYLINDE	L-08	STARTING MOTOR.....	E-02		
CLUTCH MASTER CYLIN	K-07	ELECTRICAL.....	E-05	FUEL COCK.....	G-09	MANUAL BOX.....	H-05	REAR SWINGING ARM..	L-02	STEERING STEM.....	J-08		
CLUTCH.....	D-02	FCOTREST.....	G-06	FUEL TANK.....	G-07	MUFFLER.....	C-08	REAR WHEEL.....	L-04	TAIL LAMP.....	F-06		

FIG.19

Fig.19 ( D-4 ) TRANSMISSION



Ref #	Part Number	Description	Qty	Remarks
1	24121-40C21	SHAFT, COUNTER (NT:13)	1	
2	24221-40C00	GEAR, 2ND DRIVE (NT:19)	1	
3	09380-25013	SNAP RING	1	
4	24231-48B01	GEAR, 3RD DRIVE (NT:20)	1	
5	24241-48B10	GEAR, 4TH DRIVE (NT:22)	1	
6	09301-25001	BUSH	1	
7	24251-48B02	GEAR, 5TH DRIVE (NT:23)	1	
8	24252-48B00	BUSH, 5TH DRIVE GEAR	1	
9	09167-25021	WASHER (25.1X33X1)	1	
10	09167-25013	WASHER (25.1X41X1.5)	1	
11	09169-25001	WASHER (25.1X37X1)	1	
12	09380-25003	SNAP RING	2	
13	09262-25051	BEARING (25X62X17)	1	
14	09390-62012	C RING	1	
15	09285-20006	OIL SEAL (20X31.2X2.7)	1	
16	24741-27A00	RETAINER, CNTR SHAFT BEARING	1	
17	09126-06011	SCREW (6X12)	2	
18	09263-20049	BEARING (20X34X17.5)	1	
19	04221-07129	KNOCK PIN	1	
20	24131-40C21	SHAFT, DRIVE	1	
21	24311-48B20	GEAR, 1ST DRIVEN (NT:31)	1	
22	24312-02F00	BUSH, 1ST DRIVEN	1	
23	09181-20251	THRUST WASHER (20X34X1.0)	1	
24	09181-22223	THRUST WASHER (22X34X1.0)	1	
25	24321-48B10	GEAR, 2ND DRIVEN (NT:31)	1	
26	09300-28002	BUSH, 2ND	1	
27	09181-28167	WASHER (28X36X1.0)	1	
28	08331-31286	CIRCLIP	2	
29	24331-48B03	GEAR, 3RD DRIVEN (NT:25)	1	
30	24332-48B01	BUSH, 3RD DRIVEN GEAR	1	
31	09167-28001	LOCK WASHER	1	
32	09167-28008	WASHER (34X46X2)	1	
33	24341-06B01	GEAR, 4TH DRIVEN (NT:23)	1	
34	24351-48B05	GEAR, 5TH DRIVEN (NT:21)	1	
35	09263-20040	BEARING (20X34X20)	1	
36	04221-07209	PIN	1	

GSF1200SK1 E03 E28\_019  
TRANSMISSION

23 GSF1200, S K2 E3, E33

D4

AIR CLEANER.....	C-07	COWLING BODY.....	I-02	FRAME COVER.....	H-03	GASKET SET.....	B-02	OIL COOLER.....	C-09	SEAT TAIL COVER.....	J-03	TRANSMISSION.....	D-04
ALTERNATOR.....	E-03	COWLING INSTALLATIO	I-04	FRAME.....	G-02	GEAR SHIFTING.....	D-08	OIL PAN.....	B-09	SEAT.....	J-02	TURN SIGNAL LAMP.....	F-04
BATTERY.....	E-08	CRANKCASE COVER.....	B-08	FRONT BRAKE HOSE.....	K-04	HANDLE LEVER.....	H-10	OIL PUMP.....	B-10	SECOND AIR.....	C-10	WIRING HARNESS.....	F-07
CAM CHAIN.....	C-03	CRANKCASE.....	B-06	FRONT CALIPERS.....	K-03	HANDLE SWITCH.....	F-09	OPTIONAL.....	L-07	SIGNAL GENERATOR...	E-04		
CAM SHAFT / VALVE..	C-02	CRANKSHAFT.....	B-11	FRONT DAMPER.....	J-07	HANDLEBAR.....	H-09	REAR CALIPER.....	L-05	SPEEDOMETER.....	E-07		
CANISTER.....	H-02	CYLINDER HEAD COVER	B-03	FRONT FENDER.....	H-07	HEADLAMP HOUSING...	H-08	REAR CUSHION LEVER..	L-03	STAND.....	G-04		
CARBURETOR FITTING..	C-06	CYLINDER HEAD.....	B-04	FRONT MASTER CYLIND	K-05	HEADLAMP.....	F-02	REAR FENDER.....	H-11	STARTER CLUTCH.....	B-12		
CARBURETOR.....	C-04	CYLINDER.....	B-05	FRONT WHEEL.....	K-02	LABEL.....	L-05	REAR MASTER CYLINDE	L-08	STARTING MOTOR.....	E-02		
CLUTCH MASTER CYLIN	K-07	ELECTRICAL.....	E-05	FUEL COCK.....	G-08	MANUAL BOX.....	H-05	REAR SWINGING ARM..	L-02	STEERING STEM.....	J-08		
CLUTCH.....	D-02	FOOTREST.....	G-05	FUEL TANK.....	G-07	MUFFLER.....	C-08	REAR WHEEL.....	L-04	TAIL LAMP.....	F-06		



FIG.19

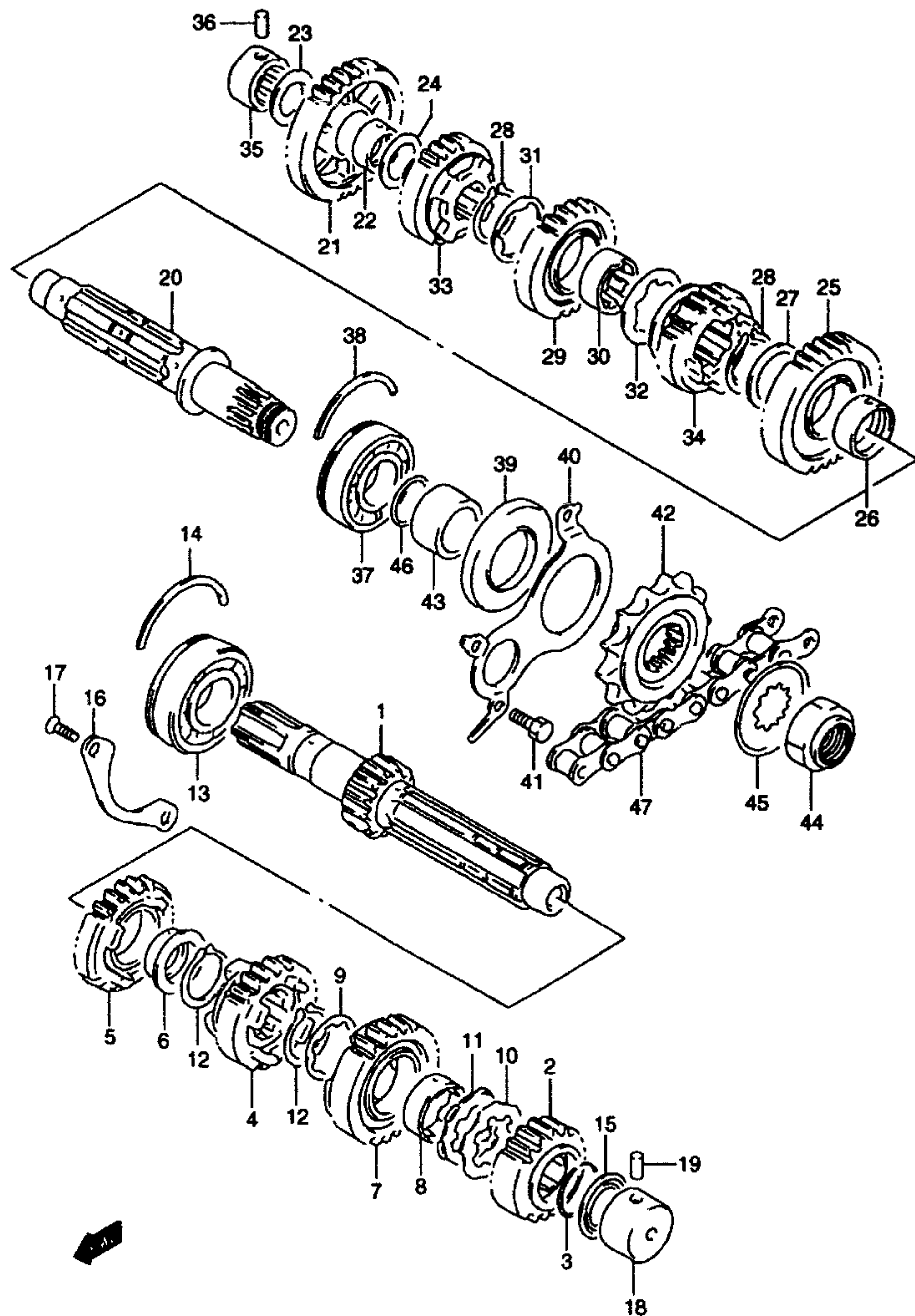


Fig.19 ( D-5 ) TRANSMISSION

Ref #	Part Number	Description	Qty	Remarks
37	09267-25011	BEARING (25X62X21.6)	1	
38	09390-62012	C RING	1	
39	09283-34005	OIL SEAL (34X62X6)	1	
40	24751-40C01	RETAINER, DRIVE SHAFT OIL SEA	1	
41	01500-06123	BOLT	4	
42	27510-17C10	SPROCKET, ENGINE (NT:15)	1	
43	09180-25100	SPACER (25X34X19)	1	
44	09159-20004	NUT	1	
45	09167-25019	WASHER (25.3X41.6X1)	1	
46	09280-25001	O RING (D:1, ID:24.5)	1	
47	27600-24F10-110	CHAIN ASSY, RKGB50GSVZ3,110LE	1	

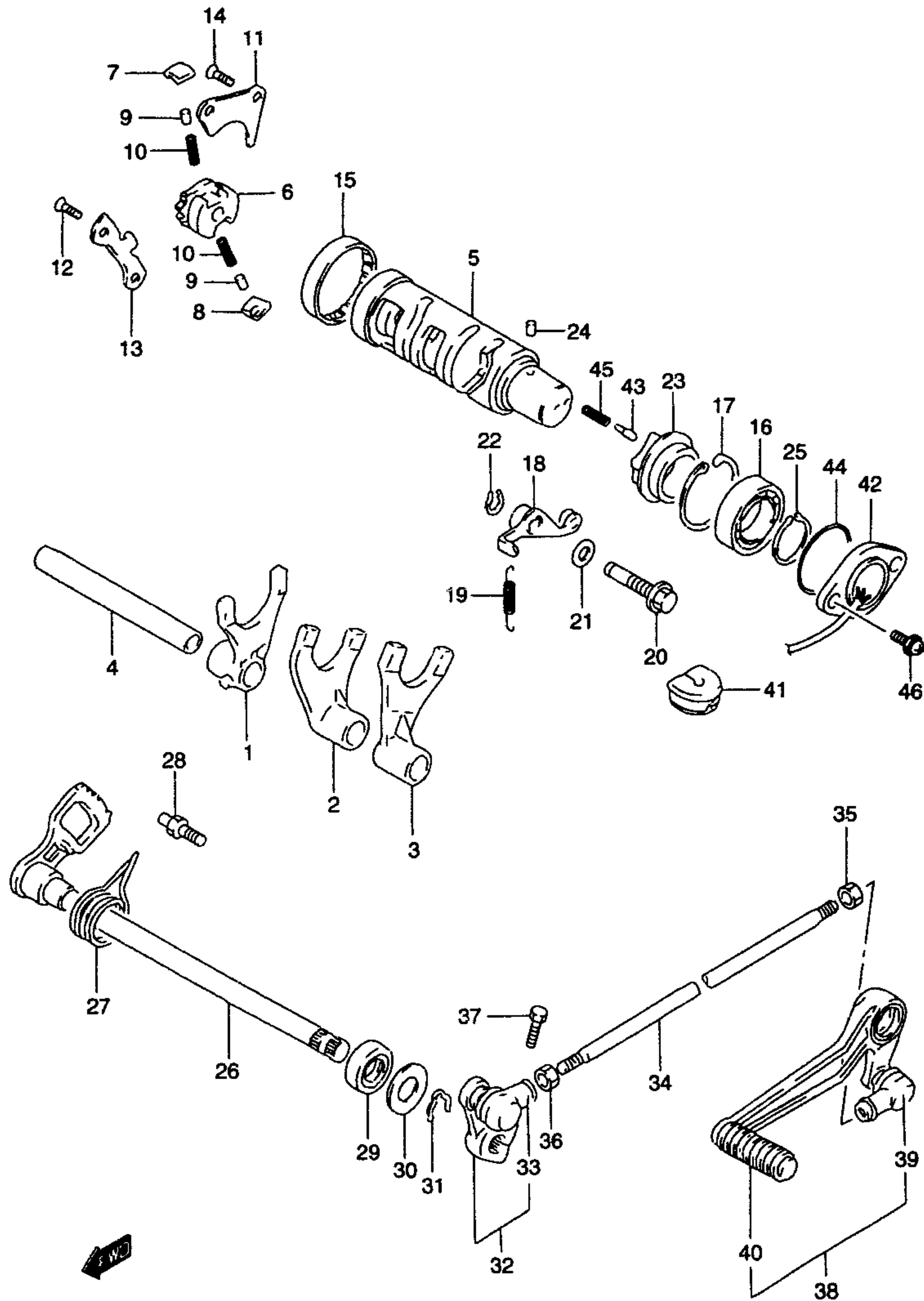
GSF1200SK1 E03 E28\_019  
TRANSMISSION

24 GSF1200, S K2 E3, E33

AIR CLEANER.....	C-07	COWLING BODY.....	I-02	FRAME COVER.....	H-03	GASKET SET.....	B-02	OIL COOLER.....	C-09	SEAT TAIL COVER....	J-03	TRANSMISSION.....	D-04
ALTERNATOR.....	E-03	COWLING INSTALLATIO	I-04	FRAME.....	G-02	GEAR SHIFTING.....	O-08	OIL PAN.....	B-09	SEAT.....	J-02	TURN SIGNAL LAMP...	F-04
BATTERY.....	E-06	CRANKCASE COVER....	B-08	FRONT BRAKE HOSE...	K-04	HANDLE LEVER.....	H-10	OIL PUMP.....	B-10	SECOND AIR.....	C-10	WIRING HARNESS....	F-07
CAM CHAIN.....	C-03	CRANKCASE.....	B-06	FRONT CALIPERS....	K-03	HANDLE SWITCH....	F-09	OPTIONAL.....	L-07	SIGNAL GENERATOR...	E-04		
CAM SHAFT / VALVE..	C-02	CRANKSHAFT.....	B-11	FRONT DAMPER.....	J-07	HANDLEBAR.....	H-09	REAR CALIPER.....	L-05	SPEEDOMETER.....	E-07		
CANISTER.....	H-02	CRANKSHAFT.....	B-11	FRONT FENDER.....	H-07	HEADLAMP HOUSING..	H-06	REAR CUSHION LEVER.	L-03	STAND.....	G-04		
CARBURETOR FITTING.	C-06	CYLINDER HEAD COVER	B-03	FRONT MASTER CYLIND	K-05	HEADLAMP.....	F-02	REAR FENDER.....	H-11	STARTER CLUTCH....	B-12		
CARBURETOR.....	C-04	CYLINDER HEAD.....	B-04	FRONT WHEEL.....	K-02	LABEL.....	I-05	REAR MASTER CYLINDE	L-06	STARTING MOTOR....	E-02		
CLUTCH MASTER CYLIN	K-07	CYLINDER.....	B-05	FUEL COCK.....	G-09	MANUAL BOX.....	H-05	REAR SWINGING ARM..	L-02	STEERING STEM....	J-08		
CLUTCH.....	D-02	ELECTRICAL.....	E-05	FUEL TANK.....	G-07	MUFFLER.....	C-08	REAR WHEEL.....	L-04	TAIL LAMP.....	F-06		

FIG.20

Fig.20 ( D-6 ) GEAR SHIFTING

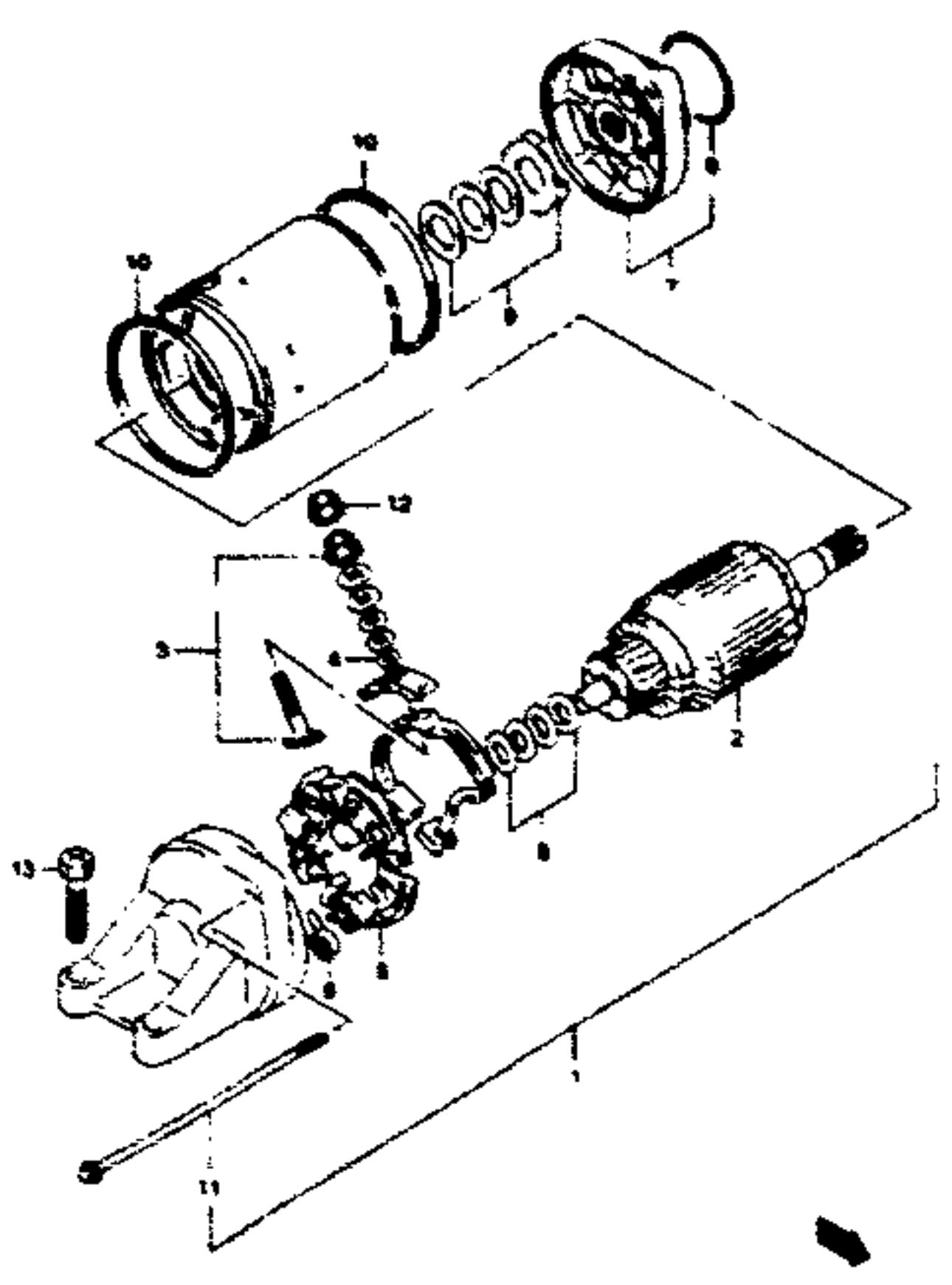
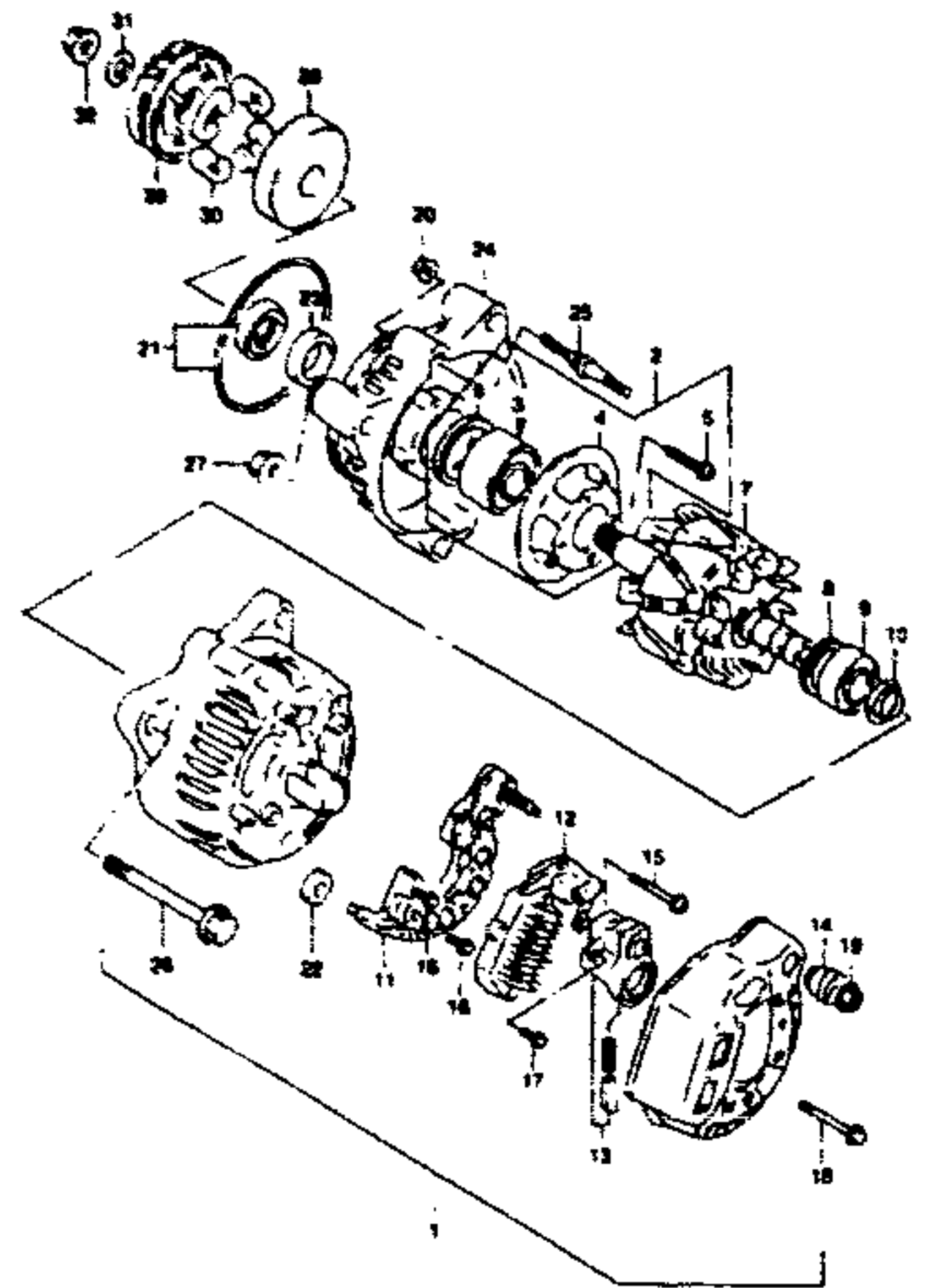
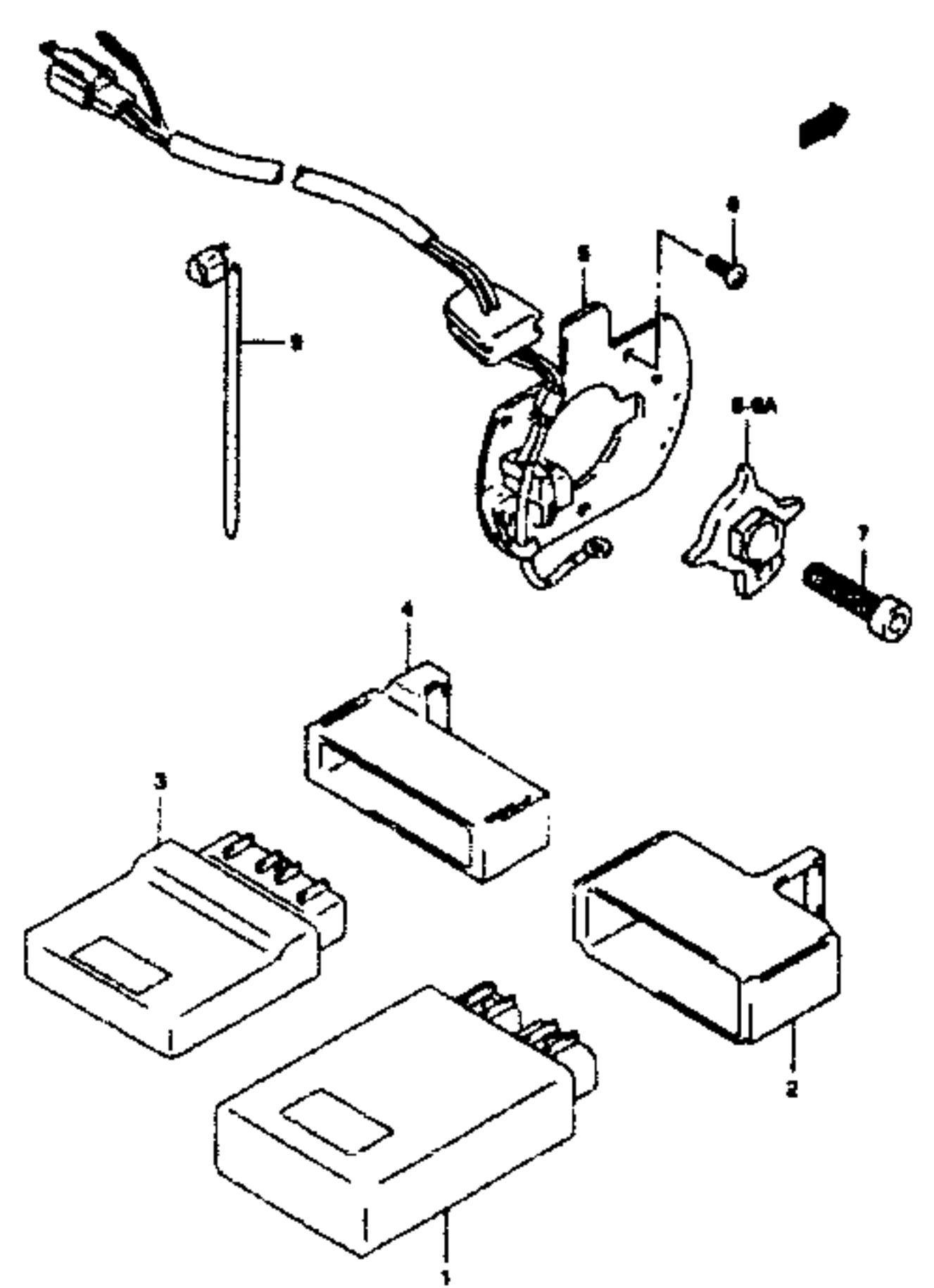
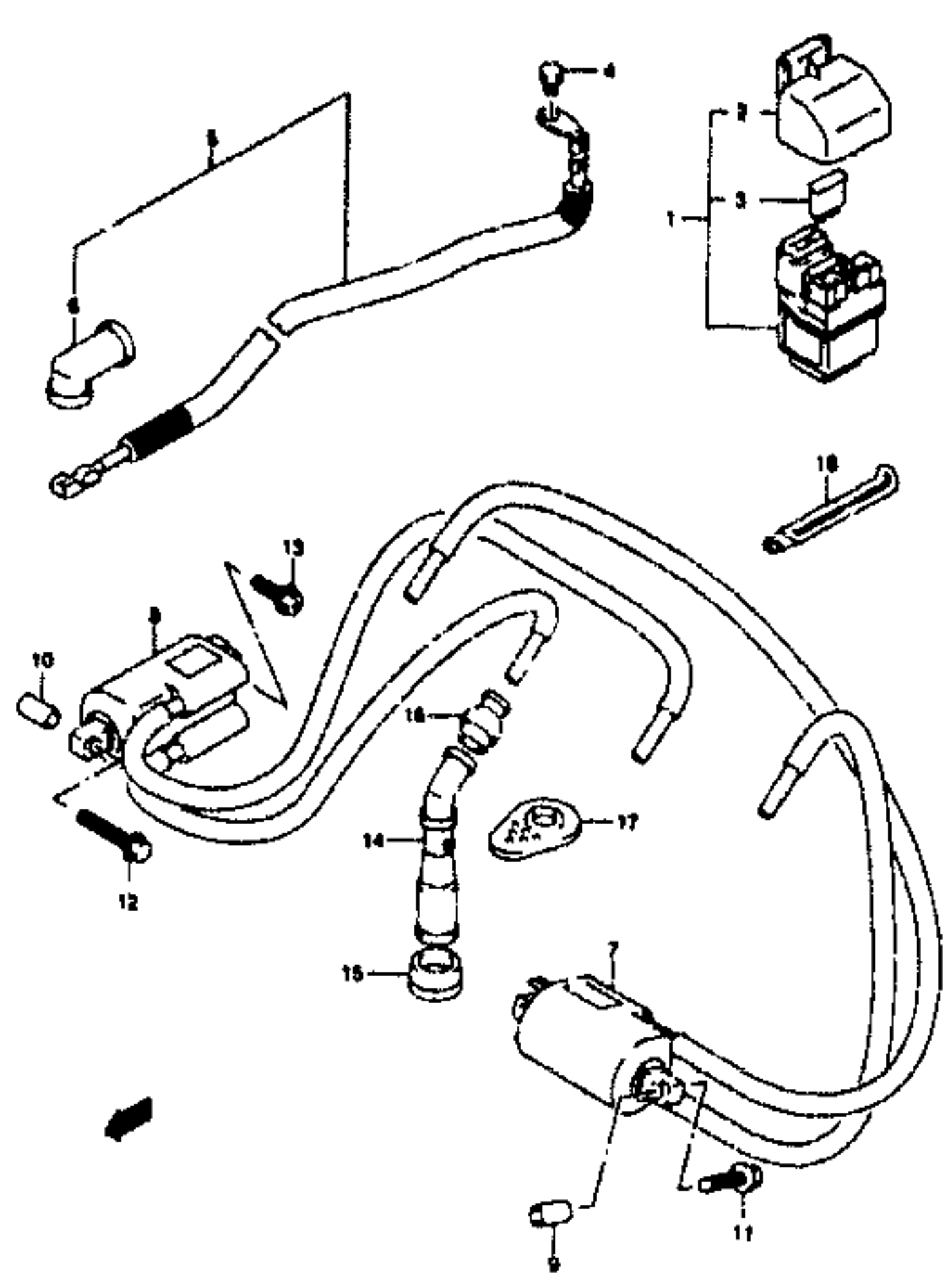
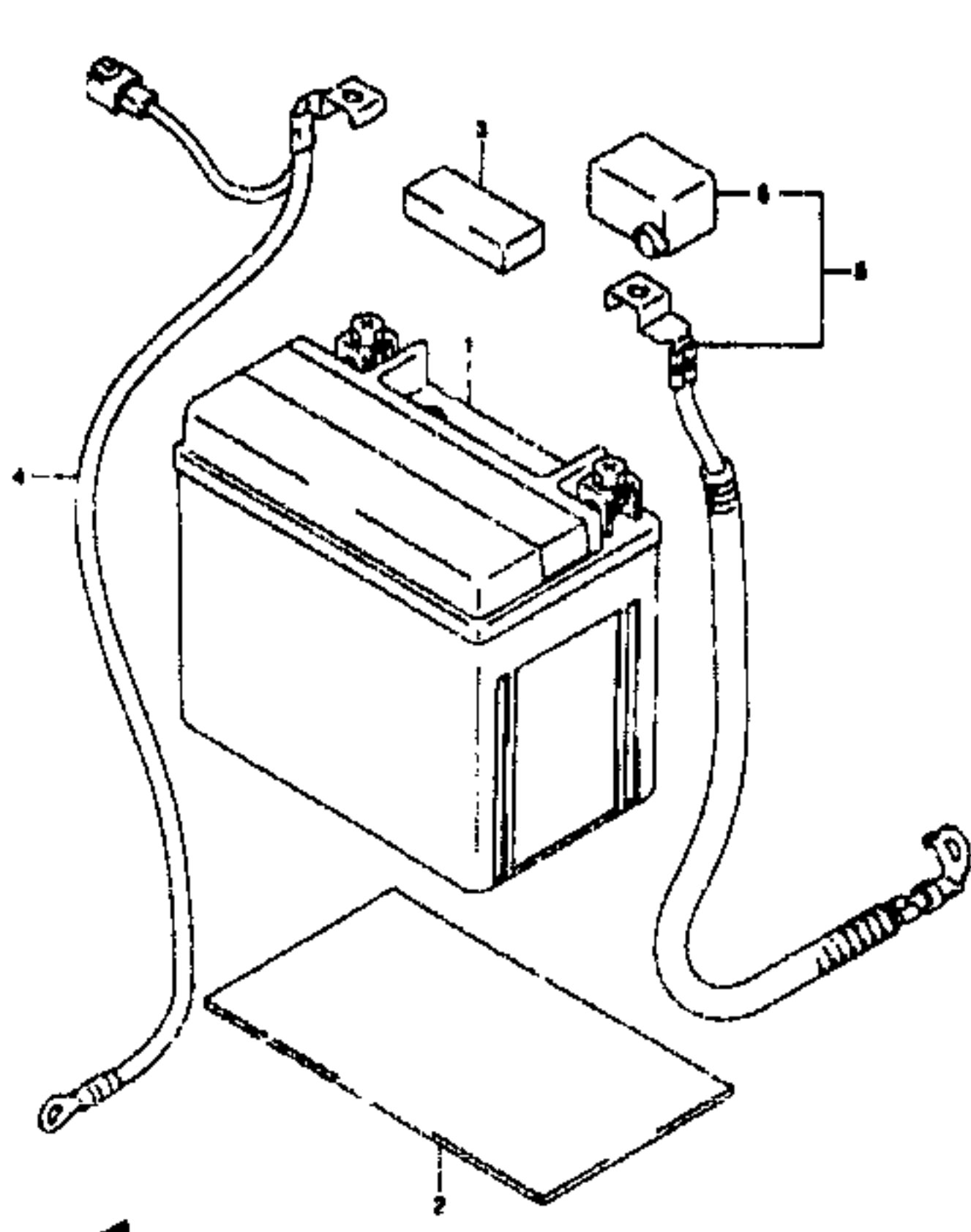
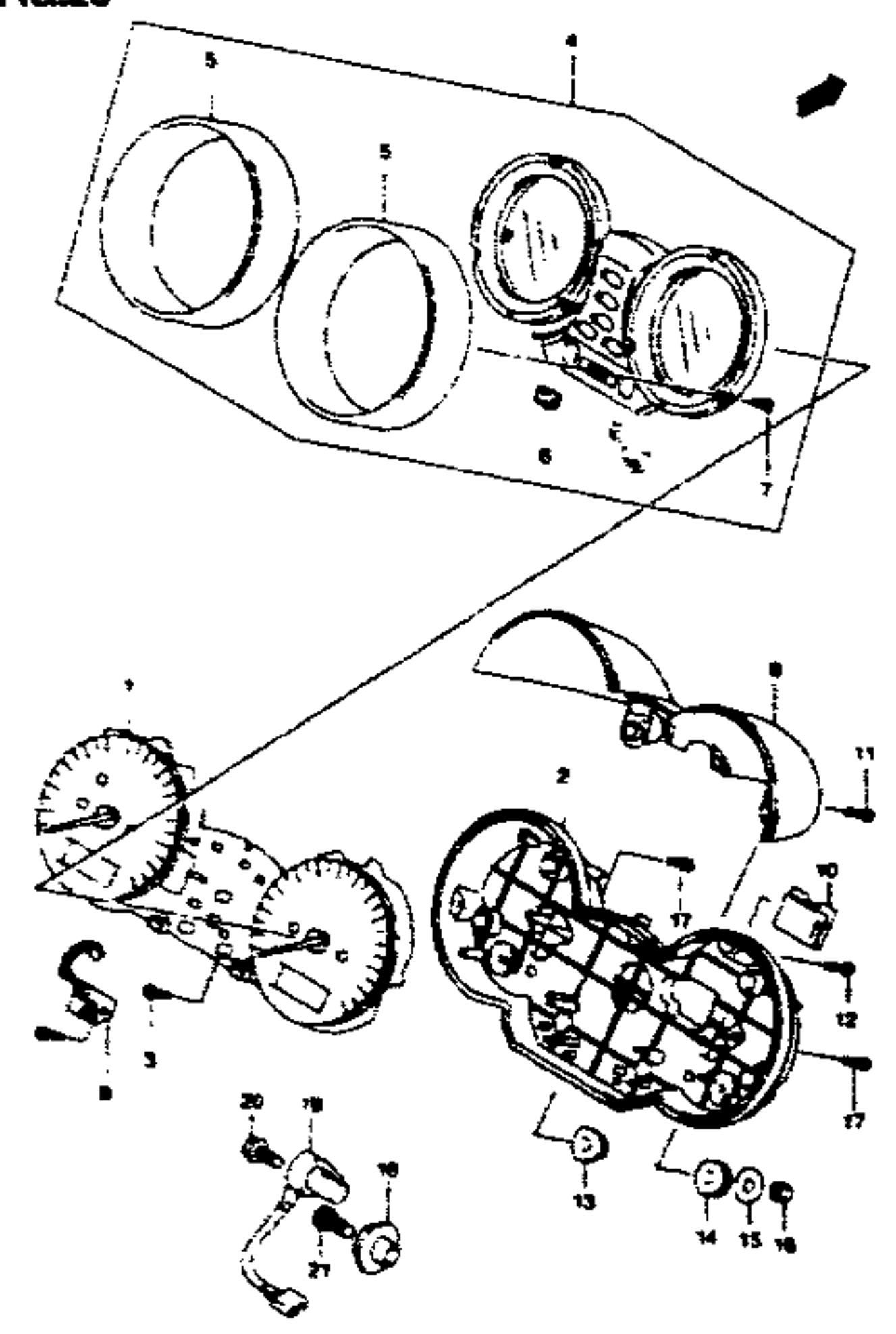
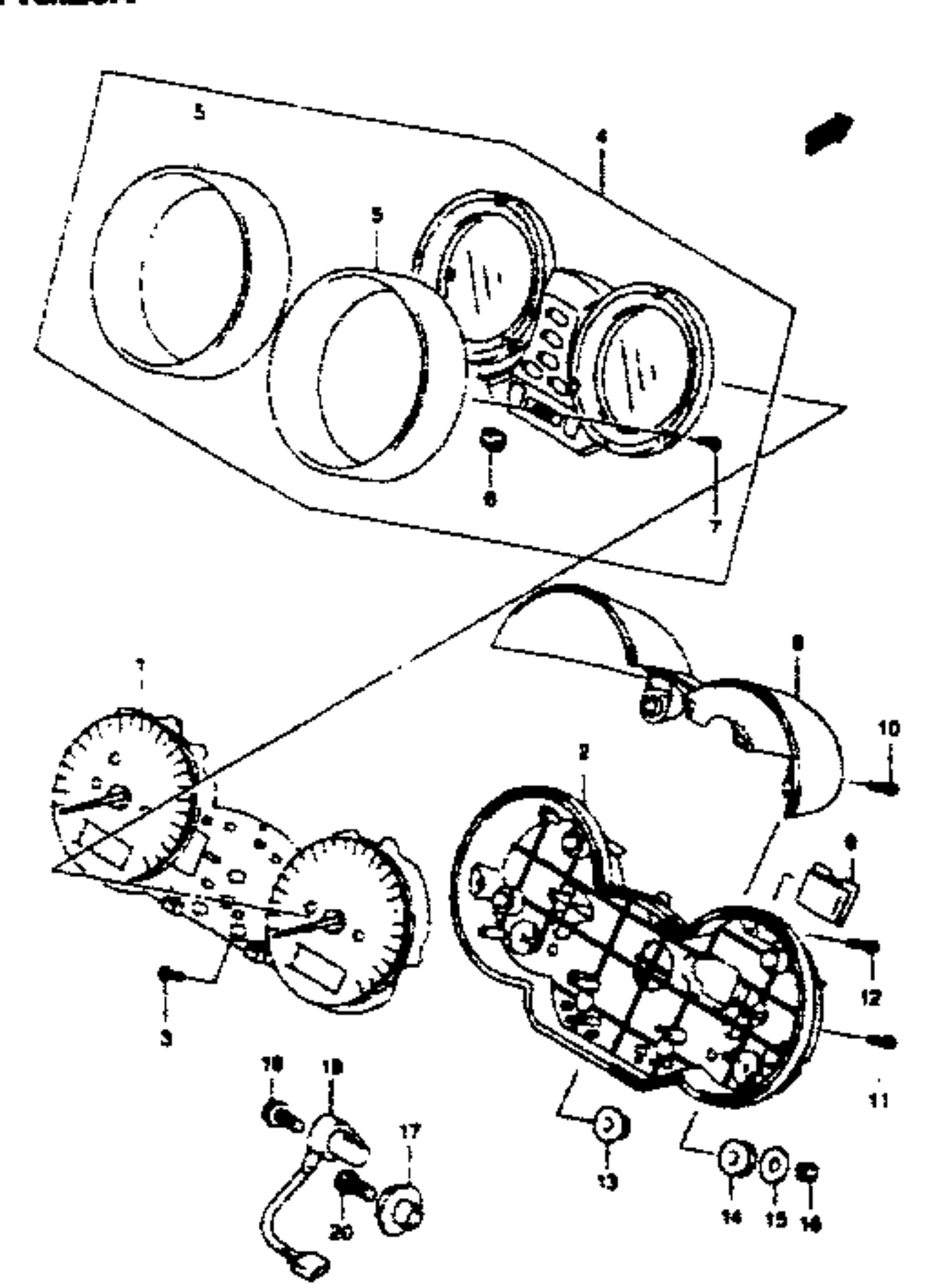
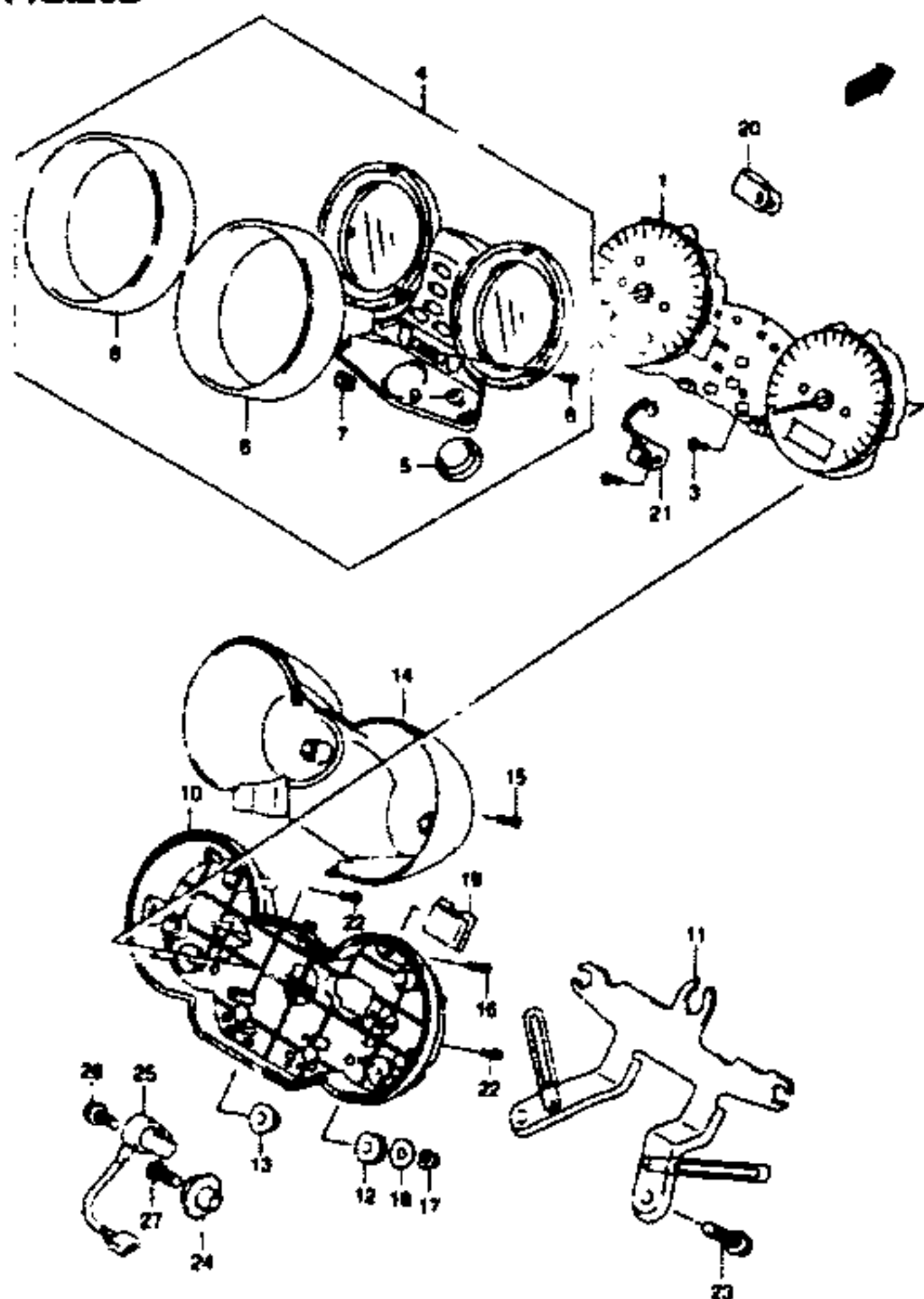
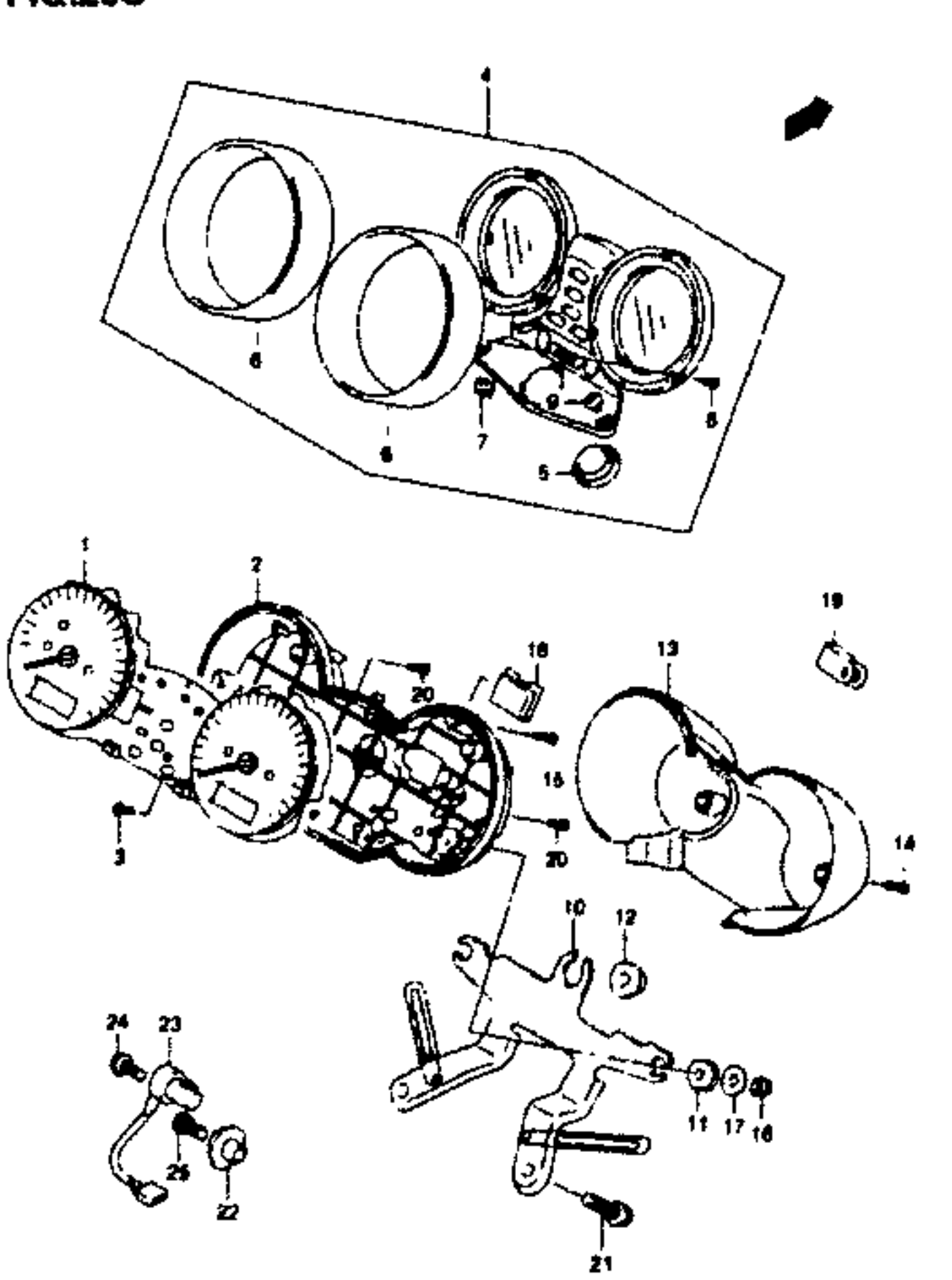


Ref #	Part Number	Description	Qty	Remarks
1	25211-06B01	FORK, GEAR SHIFT NO.1	1	
2	25221-06B00	FORK, GEAR SHIFT NO.2	1	
3	25231-06B00	FORK, GEAR SHIFT NO.3	1	
4	25411-27A00	SHAFT, GEAR SHIFT FORK (L:126)	1	
5	25310-06B03	CAM, GEAR SHIFT	1	
6	25322-31310	GEAR, GEAR SHIFT CAM DRIVEN	1	
7	25323-34201	POLE, GEAR SHIFT NO.1	1	
8	25324-34201	POLE, GEAR SHIFT NO.2	1	
9	09261-05003	ROLLER (5X8)	2	
10	09440-04003	SPRING	2	
11	25331-31301	LIFTER, GEAR SHIFT POLE	1	
12	09126-06011	SCREW (6X12)	2	
13	25341-27A00	GUIDE, GEAR SHIFT CAM	1	
14	09126-06011	SCREW (6X12)	2	
15	09263-43001	BEARING (43X49X12)	1	
16	08113-69050	BEARING	1	
17	08331-41426	CIRCLIP	1	
18	25350-27A10	STOPPER, GEAR SHIFT CAM	1	
19	09443-09033	SPRING	1	
20	25353-27A00	SHAFT, GEAR SHIFT CAM STOPPER	1	
21	09168-10002	GASKET (10X14X3.6)	1	
22	08331-31086	CIRCLIP	1	
23	25381-38400	PLATE, STOPPER	1	
24	04221-04069	PIN	1	
25	08331-31256	CIRCLIP	1	
26	25510-19C01	SHAFT, GEAR SHIFT	1	
27	09444-26017	SPRING	1	
28	25671-01011	STOPPER, GEAR SHIFT	1	
29	09285-12002	OIL SEAL (12X22X9)	1	
30	09160-12090	WASHER (12.5X26X1.6)	1	
31	08331-31126	CIRCLIP	1	
32	25520-22A00	ARM, GEAR SHIFT LINK	1	
33	25526-47000	.COVER, DUST	1	
34	25525-26E01	ROD, GEAR SHIFT LINK	1	
35	09140-06011	NUT	1	
36	08310-00067	NUT	1	
37	01500-06203	BOLT	1	
38	25600-33E00	LEVER ASSY, GEAR SHIFT	1	
39	25526-47000	.COVER, DUST	1	
40	25652-20C00	.RUBBER	1	
41	33885-27A01	GROMMET, LEAD WIRE	1	
42	37720-20C10	BASE ASSY, GEAR SHIFT TERM	1	
43	09209-05011	CONTACT	1	
44	09280-35006	O RING (D:2.40, ID:35.5)	1	
45	09440-04010	SPRING	2	
46	02112-75163	SCREW	2	

25 GSF1200, S K2 E3, E33

AIR CLEANER.....	C-07	COWLING BODY.....	I-02	FRAME COVER.....	H-03	GASKET SET.....	B-02	OIL COOLER.....	C-09	SEAT TAIL COVER.....	J-03	TRANSMISSION.....	D-04
ALTERNATOR.....	E-03	COWLING INSTALLATIO	I-04	FRAME.....	G-02	GEAR SHIFTING.....	D-06	OIL PAN.....	B-09	SEAT.....	J-02	TURN SIGNAL LAMP.....	F-04
BATTERY.....	E-08	CRANKCASE COVER.....	B-08	FRONT BRAKE HOSE.....	K-04	HANDLE LEVER.....	H-10	OIL PUMP.....	B-10	SECOND AIR.....	C-10	WIRING HARNESS.....	F-07
CAM CHAIN.....	C-03	CRANKCASE.....	B-08	FRONT CALIPERS.....	K-03	HANDLE SWITCH.....	F-09	OPTIONAL.....	L-07	SIGNAL GENERATOR.....	E-04		
CAM SHAFT / VALVE.....	C-02	CRANKSHAFT.....	B-11	FRONT DAMPER.....	J-07	HANDLEBAR.....	H-09	REAR CALIPER.....	L-05	SPEEDOMETER.....	E-07		
CANISTER.....	H-02	CYLINDER HEAD COVER.....	B-03	FRONT FENDER.....	H-07	HEADLAMP HOUSING.....	H-06	REAR CUSHION LEVER.....	L-03	STAND.....	G-04		
CARBURETOR FITTING.....	C-06	CYLINDER HEAD.....	B-04	FRONT MASTER CYLIND	K-05	HEADLAMP.....	F-02	REAR FENDER.....	H-11	STARTER CLUTCH.....	B-12		
CARBURETOR.....	C-04	CYLINDER.....	B-05	FRONT WHEEL.....	K-02	LABEL.....	I-05	REAR MASTER CYLINDE	L-08	STARTING MOTOR.....	E-02		
CLUTCH MASTER CYLIN	K-07	ELECTRICAL.....	E-05	FUEL COCK.....	G-09	MANUAL BOX.....	H-05	REAR SWINGING ARM.....	L-02	STEERING STEM.....	J-08		
CLUTCH.....	D-02	FOOTREST.....	G-05	FUEL TANK.....	G-07	MUFFLER.....	C-06	REAR WHEEL.....	L-04	TAIL LAMP.....	F-08		

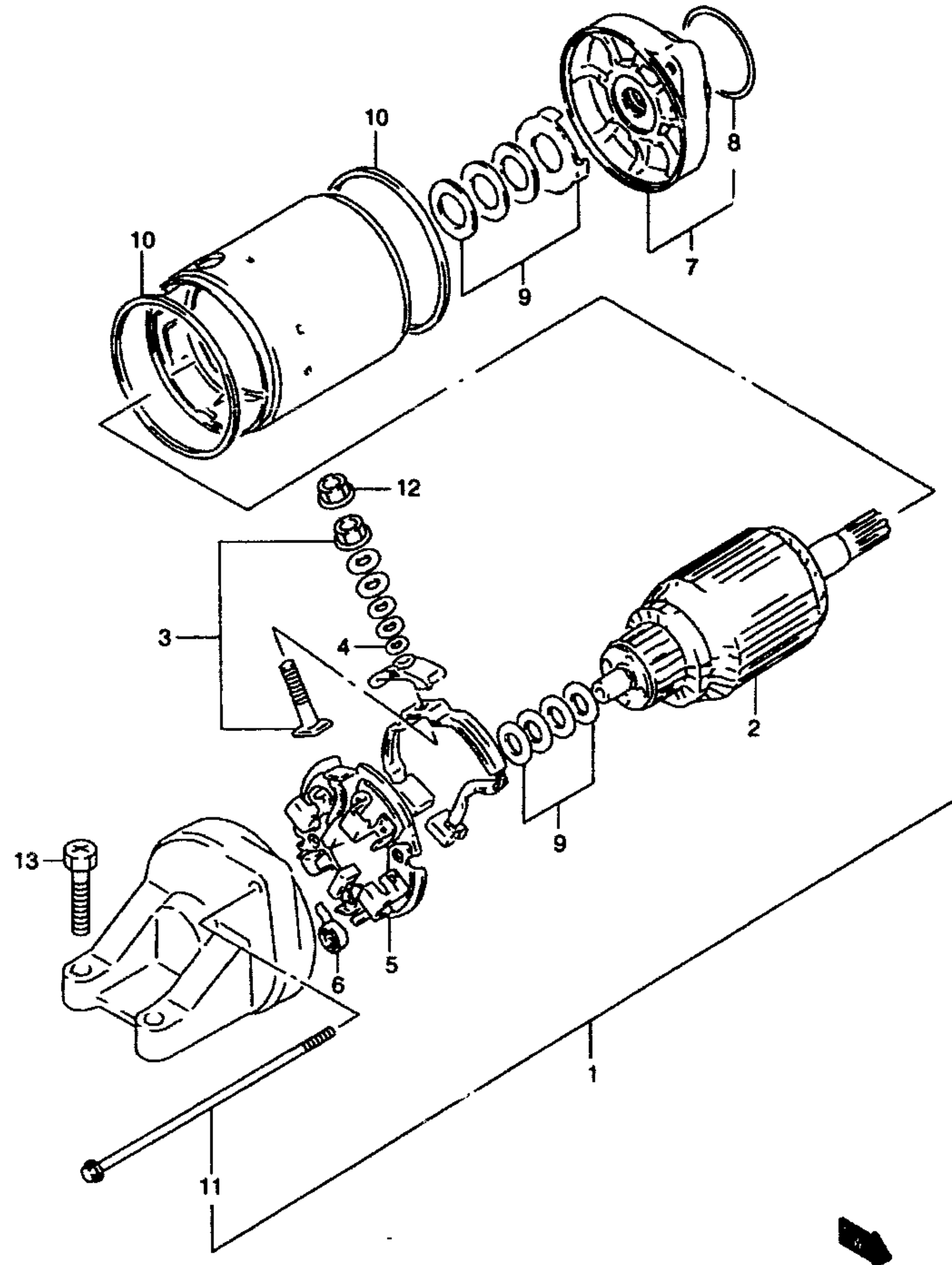


**FIG.21****E 2**GSF1200SK1 E03 E28\_021  
STARTING MOTOR**FIG.22****E 3**GSF1200SK1 E03 E28\_022  
ALTERNATOR**FIG.23****E 4**GSF1200SK1 E03 E28\_023  
SIGNAL GENERATOR**FIG.24****E 5**GSF1200SK1 E03 E28\_024  
ELECTRICAL**FIG.25****E 6**GSF1200SK1 E03 E28\_025  
BATTERY**FIG.26****E 7**GSF1200SK1 E03 E28\_026  
SPEEDOMETER**FIG.26A****E 8**GSF1200SK1 E03 E28\_026A  
SPEEDOMETER**FIG.26B****E 9**GSF1200SK1 E03 E28\_026B  
SPEEDOMETER**FIG.26C****E 10**GSF1200SK1 E03 E28\_026C  
SPEEDOMETER

AIR CLEANER.....	C-07	COWLING BODY.....	I-02	FRAME COVER.....	H-03	GASKET SET.....	B-02	OIL COOLER.....	C-09	SEAT TAIL COVER...	J-03	TRANSMISSION.....	D-04
ALTERNATOR.....	E-03	COWLING INSTALLATIO	I-04	FRAME.....	G-02	GEAR SHIFTING.....	D-08	OIL PAN.....	B-09	SEAT.....	J-02	TURN SIGNAL LAMP...	F-04
BATTERY.....	E-06	CRANKCASE COVER...	B-08	FRONT BRAKE HOSE...	K-04	HANDLE LEVER.....	H-10	OIL PUMP.....	B-10	SECOND AIR.....	C-10	WIRING HARNESS....	F-07
CAM CHAIN.....	C-03	CRANKCASE.....	B-06	FRONT CALIPERS.....	K-03	HANDLE SWITCH.....	F-09	OPTIONAL.....	L-07	SIGNAL GENERATOR...	E-04		
CAM SHAFT / VALVE..	C-02	CRANKSHAFT.....	B-11	FRONT DAMPER.....	J-07	HANDLEBAR.....	H-09	REAR CALIPER.....	L-05	SPEEDOMETER.....	E-07		
CANISTER.....	H-02	CYLINDER HEAD COVER	B-03	FRONT FENDER.....	H-07	HEADLAMP HOUSING...	H-08	REAR CUSHION LEVER	L-03	STAND.....	G-04		
CARBURETOR FITTING	C-06	CYLINDER HEAD.....	B-04	FRONT MASTER CYLIND	K-05	HEADLAMP.....	F-02	REAR FENDER.....	H-11	STARTER CLUTCH....	B-12		
CARBURETOR.....	C-04	CYLINDER.....	B-05	FRONT WHEEL.....	K-02	LABEL.....	I-05	REAR MASTER CYLINDE	L-08	STARTING MOTOR...	E-02		
CLUTCH MASTER CYL.	K-07	ELECTRICAL.....	E-05	FUEL COCK.....	G-09	MANUAL BOX.....	H-05	REAR SWINGING ARM..	L-02	STEERING STEM.....	J-06		
CLUTCH.....	D-02	FOOTREST.....	G-05	FUEL TANK.....	G-07	MUFFLER.....	C-08	REAR WHEEL.....	L-04	TAIL LAMP.....	F-06		

FIG.21

Fig.21 ( E-2 ) STARTING MOTOR



Ref #	Part Number	Description	Qty	Remarks
1	31100-26D10	MOTOR ASSY, STARTING	1	
2	31310-40C02	.ARMATURE	1	
3	31130-38B00	.TERMINAL SET, BRUSH	1	
4	31143-49040	.O RING	1	
5	31132-38B00	.HOLDER SET, BRUSH	1	
6	31135-38B00	.SPRING, BRUSH	4	
7	31150-26D00	.BRACKET ASSY, FRONT	1	
8	31156-48B00	..O RING	1	
9	31170-19B10	.WASHER SET	1	
10	31264-31300	.O RING	2	
11	31280-26D00	.BOLT	2	
12	08361-35068	NUT	1	
13	09128-06024	BOLT (6X25)	2	

GSF1200SK1 E03 E28\_021  
STARTING MOTOR

26 GSF1200, S K2 E3, E33

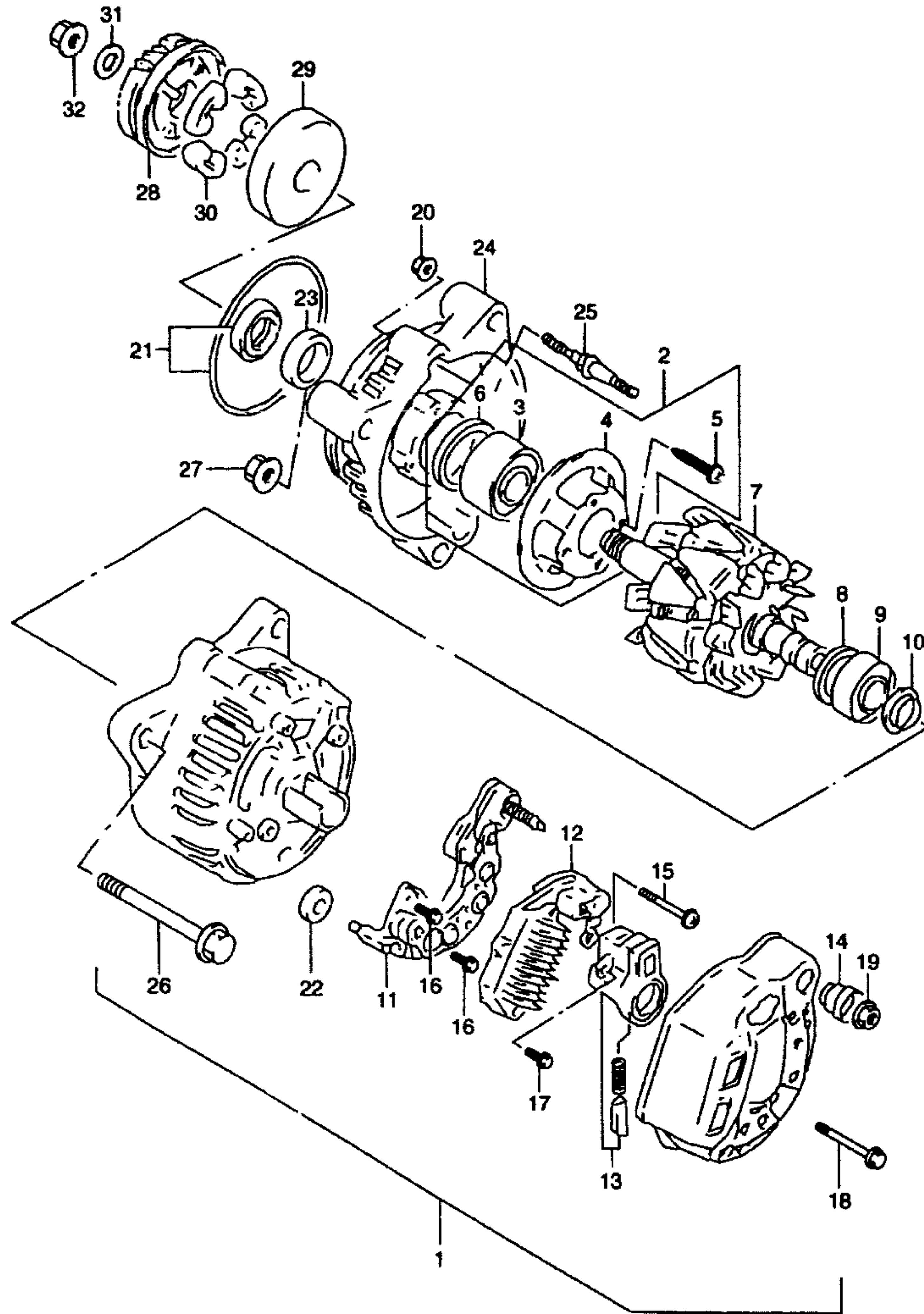
E2

AIR CLEANER.....	C-07	COWLING BODY.....	L-02	FRAME COVER.....	H-03	GASKET SET.....	B-02	OIL COOLER.....	C-09	SEAT TAIL COVER.....	J-03	TRANSMISSION.....	D-04
ALTERNATOR.....	E-03	COWLING INSTALLATIO	L-04	FRAME.....	G-02	GEAR SHIFTING.....	D-06	OIL PAN.....	B-09	SEAT.....	J-02	TURN SIGNAL LAMP...	F-04
BATTERY.....	E-08	CRANKCASE COVER...	B-08	FRONT BRAKE HOSE...	K-04	HANDLE LEVER.....	H-10	OIL PUMP.....	B-10	SECOND AIR.....	C-10	WIRING HARNESS.....	F-07
CAM CHAIN.....	C-03	CRANKCASE.....	B-06	FRONT CALIPERS.....	K-03	HANDLE SWITCH.....	F-09	OPTIONAL.....	L-07	SIGNAL GENERATOR...	E-04		
CAM SHAFT / VALVE...	C-02	CRANKSHAFT.....	B-11	FRONT DAMPER.....	J-07	HANDLEBAR.....	H-09	REAR CALIPER.....	L-05	SPEEDOMETER.....	E-07		
CANISTER.....	H-02	CYLINDER HEAD COVER	B-03	FRONT FENDER.....	H-07	HEADLAMP HOUSING...	H-06	REAR CUSHION LEVER.	L-03	STAND.....	G-04		
CARBURETOR FITTING.	C-08	CYLINDER HEAD.....	B-04	FRONT MASTER CYLIND	K-05	HEADLAMP.....	F-02	REAR FENDER.....	H-11	STARTER CLUTCH....	B-12		
CARBURETOR.....	C-04	CYLINDER.....	B-05	FRONT WHEEL.....	K-02	LABEL.....	I-05	REAR MASTER CYLINDE	L-08	STARTING MOTOR....	E-02		
CLUTCH MASTER CYLIN	K-07	ELECTRICAL.....	E-05	FUEL COCK.....	G-09	MANUAL BOX.....	H-05	REAR SWINGING ARM..	L-02	STEERING STEM....	J-08		
CLUTCH.....	D-02	FOOTREST.....	G-05	FUEL TANK.....	G-07	MUFFLER.....	C-08	REAR WHEEL.....	L-04	TAIL LAMP.....	F-08		



FIG.22

Fig.22 ( E-3 ) ALTERNATOR



Ref #	Part Number	Description	Qty	Remarks
1	31400-03F03	ALTERNATOR ASSY (BLACK)	1	
2	31580-03F00	.FRAME, DRIVE END	1	
3	31612-06B00	..BEARING	1	
4	31585-03F00	..RETAINER	1	
5	31586-03F00	..SCREW (4X14)	4	
6	31613-48B00	..COVER, BEARING	1	
7	31710-03F00	.ROTOR ASSY	1	
8	31613-82610	.COVER, BEARING	1	
9	31612-48B00	.BEARING	1	
10	31613-27A10	.COVER, NO.2	1	
11	31621-03F00	.HOLDER, RECTIFIER	1	
12	32500-03F00	.REGULATOR ASSY	1	
13	31656-03F00	.HOLDER, BRUSH	1	
14	31514-85250	.INSULATOR, TERMINAL.	1	
15	02112-34253	.SCREW	1	
16	02112-04063	.SCREW	6	
17	02112-04087	.SCREW	1	
18	02112-04253	.SCREW	3	
19	08361-15063	.NUT	1	
20	08316-10053	.NUT	2	
21	31780-27X50	.SERVICE KIT, A	1	FOR O RING
22	31780-03F02	.SERVICE KIT, B	1	FOR DAMPER RUBBER
23	31776-06B00	.SPACER	1	
24	31611-03F01	.FRAME, END	1	
25	31587-85250	..STUD BOLT	2	
26	01550-08653	BOLT	3	
27	08361-35068	NUT	1	
28	22730-27A05	GEAR, GENERATOR DRIVEN	1	
29	22733-27A05	HOUSING, GENERATOR GEAR DAMPE	1	
30	21231-06B00	DAMPER, GENERATOR DRIVEN	4	
31	08211-10283	WASHER	1	
32	08316-20103	NUT	1	

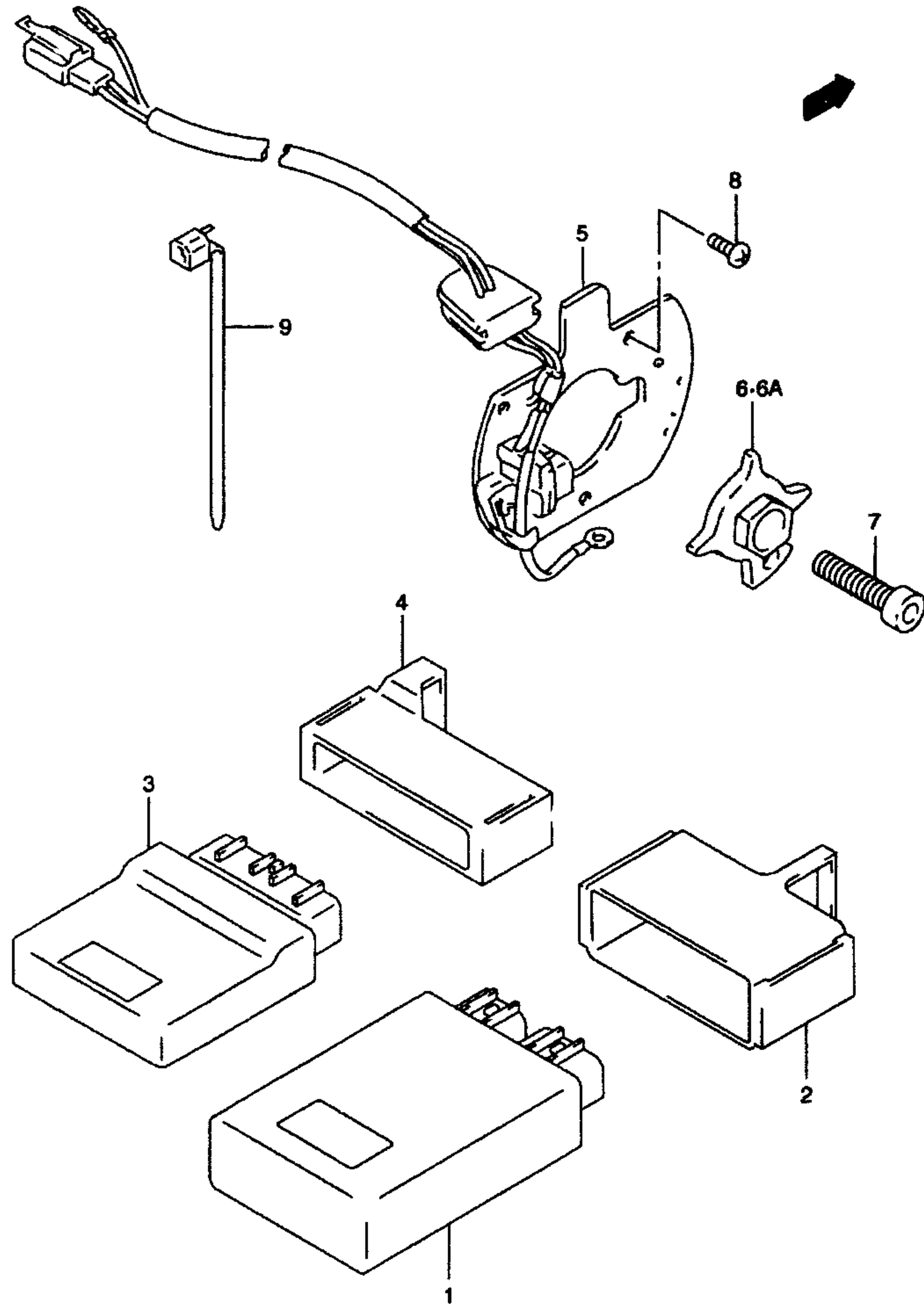
GSF1200SK1 E03 E28\_022  
ALTERNATOR

27 GSF1200, S K2 E3, E33

E3

AIR CLEANER.....	C-07	COWLING BODY.....	I-02	FRAME COVER.....	H-03	GASKET SET.....	B-02	OIL COOLER.....	C-09	SEAT TAIL COVER....	J-03	TRANSMISSION.....	D-04
ALTERNATOR.....	E-03	COWLING INSTALLATIO	I-04	FRAME.....	G-02	GEAR SHIFTING.....	D-06	OIL PAN.....	B-09	SEAT.....	J-02	TURN SIGNAL LAMP...	F-04
BATTERY.....	E-08	CRANKCASE COVER...	B-08	FRONT BRAKE HOSE...	K-04	HANDLE LEVER.....	H-10	OIL PUMP.....	B-10	SECOND AIR.....	C-10	WIRING HARNESS....	F-07
CAM CHAIN.....	C-03	CRANKCASE.....	B-08	FRONT CALIPERS....	K-03	HANDLE SWITCH.....	F-09	OPTIONAL.....	L-07	SIGNAL GENERATOR...	E-04		
CAM SHAFT / VALVE..	C-02	CRANKSHAFT.....	B-11	FRONT DAMPER.....	J-07	HANDLEBAR.....	H-09	REAR CALIPER.....	L-05	SPEEDOMETER.....	E-07		
CANISTER.....	H-02	CYLINDER HEAD COVER	B-03	FRONT FENDER.....	H-07	HEADLAMP HOUSING..	H-06	REAR CUSHION LEVER.	L-03	STAND.....	G-04		
CARBURETOR FITTING.	C-06	CYLINDER HEAD.....	B-04	FRONT MASTER CYLIND	K-05	HEADLAMP.....	F-02	REAR FENDER.....	H-11	STARTER CLUTCH....	B-12		
CARBURETOR.....	C-04	CYLINDER.....	B-05	FRONT WHEEL.....	K-02	LABEL.....	I-05	REAR MASTER CYLINDE	L-06	STARTING MOTOR....	E-02		
CLUTCH MASTER CYLIN	K-07	ELECTRICAL.....	E-05	FUEL COCK.....	G-08	MANUAL BOX.....	H-05	REAR SWINGING ARM..	L-02	STEERING STEM....	J-08		
CLUTCH.....	D-02	FOOTREST.....	G-05	FUEL TANK.....	G-07	MUFFLER.....	C-08	REAR WHEEL.....	L-04	TAIL LAMP.....	F-08		

FIG.23



Ref #	Part Number	Description	Qty	Remarks
1	32900-31F50	IGNITER ASSY	1	MODEL K1
2	32980-40C01	CUSHION, IGNITER	1	MODEL K1
3	32900-31FD0	IGNITER ASSY	1	MODEL K2
4	32980-41F00	COVER, IGNITER	1	MODEL K2
5	33110-31F00	STATOR, SIGNAL GENERATOR	1	
6	33120-19C20	ROTOR, SIGNAL GENERATOR	1	MODEL K1
6A	33120-48B20	ROTOR, SIGNAL GENERATOR	1	MODEL K2
7	07130-08303	BOLT	1	
8	02112-05103	SCREW	3	
9	09407-14403	CLAMP (L:125)	1	

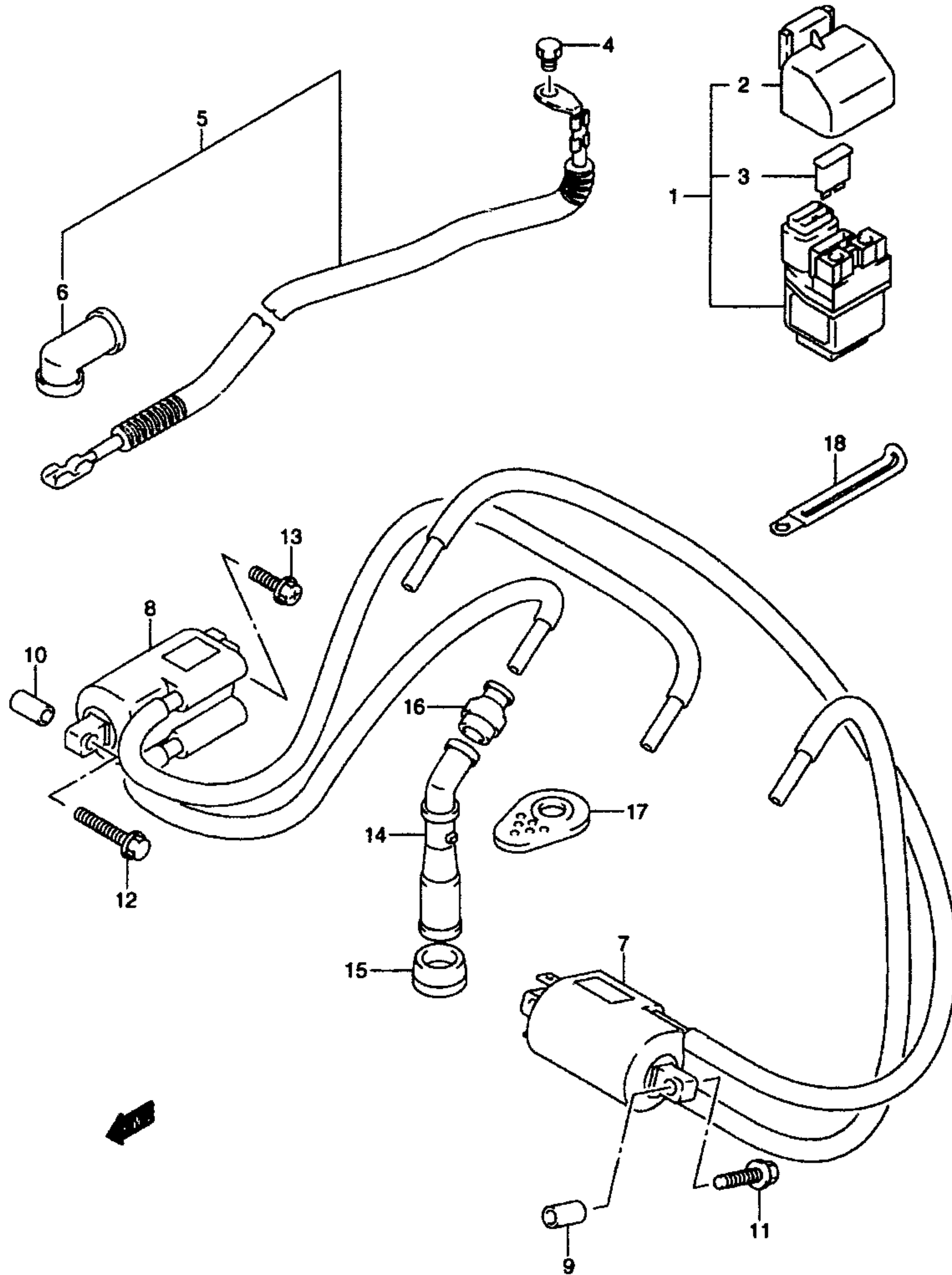
GSF1200SK1 E03 E28\_023  
SIGNAL GENERATOR

28 GSF1200, S K2 E3, E33

AIR CLEANER.....	C-07	COWLING BODY.....	I-02	FRAME COVER.....	H-03	GASKET SET.....	B-02	OIL COOLER.....	C-09	SEAT TAIL COVER.....	J-03	TRANSMISSION.....	D-04
ALTERNATOR.....	E-03	COWLING INSTALLATIO	I-04	FRAME.....	G-02	GEAR SHIFTING.....	D-06	OIL PAN.....	B-09	SEAT.....	J-02	TURN SIGNAL LAMP...	F-04
BATTERY.....	E-08	CRANKCASE COVER...	B-08	FRONT BRAKE HOSE...	K-04	HANDLE LEVER.....	H-10	OIL PUMP.....	B-10	SECOND AIR.....	C-10	WIRING HARNESS.....	F-07
CAM CHAIN.....	C-03	CRANKCASE.....	B-06	FRONT CALIPERS.....	K-03	HANDLE SWITCH.....	F-09	OPTIONAL.....	L-07	SIGNAL GENERATOR...	E-04		
CAM SHAFT / VALVE..	C-02	CRANKSHAFT.....	B-11	FRONT DAMPER.....	J-07	HANDLEBAR.....	H-09	REAR CALIPER.....	L-05	SPEEDOMETER.....	E-07		
CANISTER.....	H-02	CYLINDER HEAD COVER	B-03	FRONT FENDER.....	H-07	HEADLAMP HOUSING...	H-06	REAR CUSHION LEVER.	L-03	STAND.....	G-04		
CARBURETOR FITTING.	C-08	CYLINDER HEAD.....	B-04	FRONT MASTER CYLIND	K-05	HEADLAMP.....	F-02	REAR FENDER.....	H-11	STARTER CLUTCH.....	B-12		
CARBURETOR.....	C-04	CYLINDER.....	B-05	FRONT WHEEL.....	K-02	LABEL.....	I-05	REAR MASTER CYLINDE	L-06	STARTING MOTOR.....	E-02		
CLUTCH MASTER CYLIN	K-07	ELECTRICAL.....	E-05	FUEL COCK.....	G-09	MANUAL BOX.....	H-05	REAR SWINGING ARM..	L-02	STEERING STEM.....	J-08		
CLUTCH.....	D-02	FOOTREST.....	G-05	FUEL TANK.....	G-07	MUFFLER.....	C-08	REAR WHEEL.....	L-04	TAIL LAMP.....	F-06		



FIG.24



Ref #	Part Number	Description	Qty	Remarks
1	31800-26E00	RELAY ASSY, STARTING MOTOR	1	
2	31861-26E00	.COVER	1	
3	09481-30101	.FUSE (30A)	2	
4	09128-06013	SCREW (6X8)	2	
5	33810-32F00	WIRE, STARTER MOTOR LEAD	1	
6	31861-48B10	.CAP, STARTER MOTOR LEAD	1	
7	33410-26E01	COIL ASSY, IGNITION	1	
8	33420-31F00	COIL ASSY, IGNITION	1	
9	09180-06095	SPACER (6X12X10)	2	
10	09180-06195	SPACER (6.4X10X18)	1	
11	01550-06253	BOLT	2	
12	01550-06353	BOLT	1	
13	02162-06203	BOLT	1	
14	33510-48B10	CAP, SPARK PLUG	4	
15	33541-23E01	SEAL, SPARK PLUG CAP	4	
16	33542-38B00	SEAL, HIGH TENSION CORD	4	
17	33543-32F00	COVER, SPARK PLUG CAP	4	
18	09404-06432	CLAMP (L:80)	1	

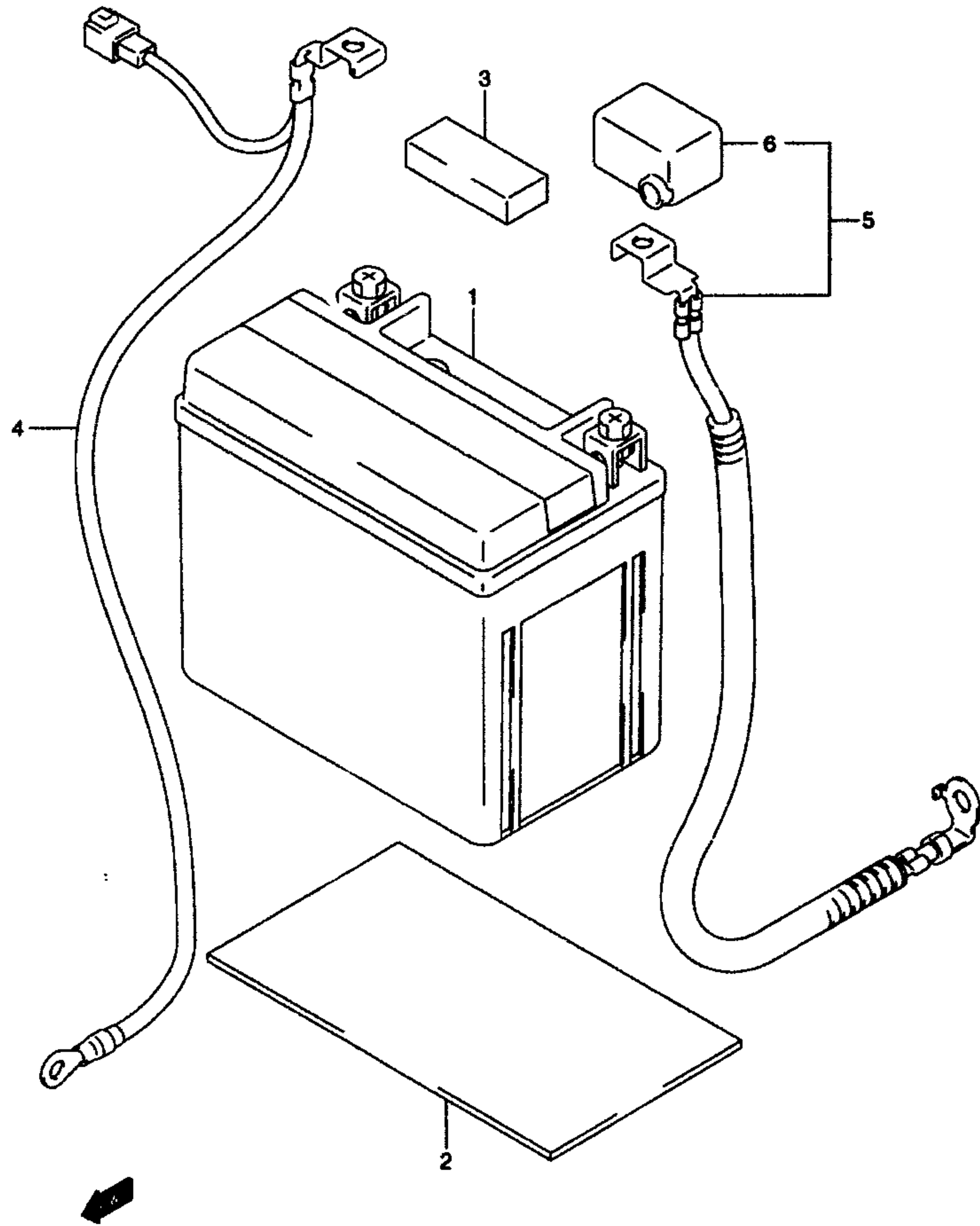
GSF1200SK1 E03 E28\_024  
ELECTRICAL

29 GSF1200, S K2 E3, E33

AIR CLEANER.....	C-07	COWLING BODY.....	I-02	FRAME COVER.....	H-03	GASKET SET.....	B-02	OIL COOLER.....	C-09	SEAT TAIL COVER....	J-03	TRANSMISSION.....	G-04
ALTERNATOR.....	E-03	COWLING INSTALLATIO	I-04	FRAME.....	G-02	GEAR SHIFTING.....	D-06	OIL PAN.....	B-09	SEAT.....	J-02	TURN SIGNAL LAMP...	F-04
BATTERY.....	E-06	CRANKCASE COVER....	B-08	FRONT BRAKE HOSE...	K-04	HANDLE LEVER.....	H-10	OIL PUMP.....	B-10	SECOND AIR.....	C-10	WIRING HARNESS....	F-07
CAM CHAIN.....	C-03	CRANKCASE.....	B-06	FRONT CALIPERS.....	K-03	HANDLE SWITCH.....	F-09	OPTIONAL.....	L-07	SIGNAL GENERATOR...	E-04		
CAM SHAFT / VALVE...	C-02	CRANKSHAFT.....	B-11	FRONT DAMPER.....	J-07	HANDLEBAR.....	H-09	REAR CALIPER.....	L-05	SPEEDOMETER.....	E-07		
CANISTER.....	H-02	CYLINDER HEAD COVER	B-03	FRONT FENDER.....	H-07	HEADLAMP HOUSING..	H-06	REAR CUSHION LEVER.	L-03	STAND.....	G-04		
CARBURETOR FITTING.	C-06	CYLINDER HEAD.....	B-04	FRONT MASTER CYLIND	K-05	HEADLAMP.....	F-02	REAR FENDER.....	H-11	STARTER CLUTCH....	B-12		
CARBURETOR.....	C-04	CYLINDER.....	B-05	FRONT WHEEL.....	K-02	LABEL.....	I-05	REAR MASTER CYLINDE	L-06	STARTING MOTOR....	E-02		
CLUTCH MASTER CYLIN	K-07	ELECTRICAL.....	E-05	FUEL COCK.....	G-09	MANUAL BOX.....	H-05	REAR SWINGING ARM..	L-02	STEERING STEM.....	J-06		
CLUTCH.....	D-02	FOOTREST.....	G-05	FUEL TANK.....	G-07	MUFFLER.....	C-08	REAR WHEEL.....	L-04	TAIL LAMP.....	F-06		

FIG.25

Fig.25 ( E-6 ) BATTERY



Ref #	Part Number	Description	Qty	Remarks
1	33610-17E10	BATTERY ASSY	1	
1	33610-17E10	(YTX12-BS, 12V, 10AH)		
2	33651-37000	PROTECTOR (170X95X3)	4	CUT AS REQUIRED PROFILE (115X50), (90X20)
3	33652-31F00	PROTECTOR (20X50X11)	1	
4	33860-32000	WIRE, BATTERY (-)	1	
5	33820-31F00	WIRE, BATTERY (+) LEAD	1	
6	33624-16E00	.CAP, BATTERY (+) TERMINAL	1	

GSF1200SK1 E03 E28\_025  
BATTERY

30 GSF1200, S K2 E3, E33

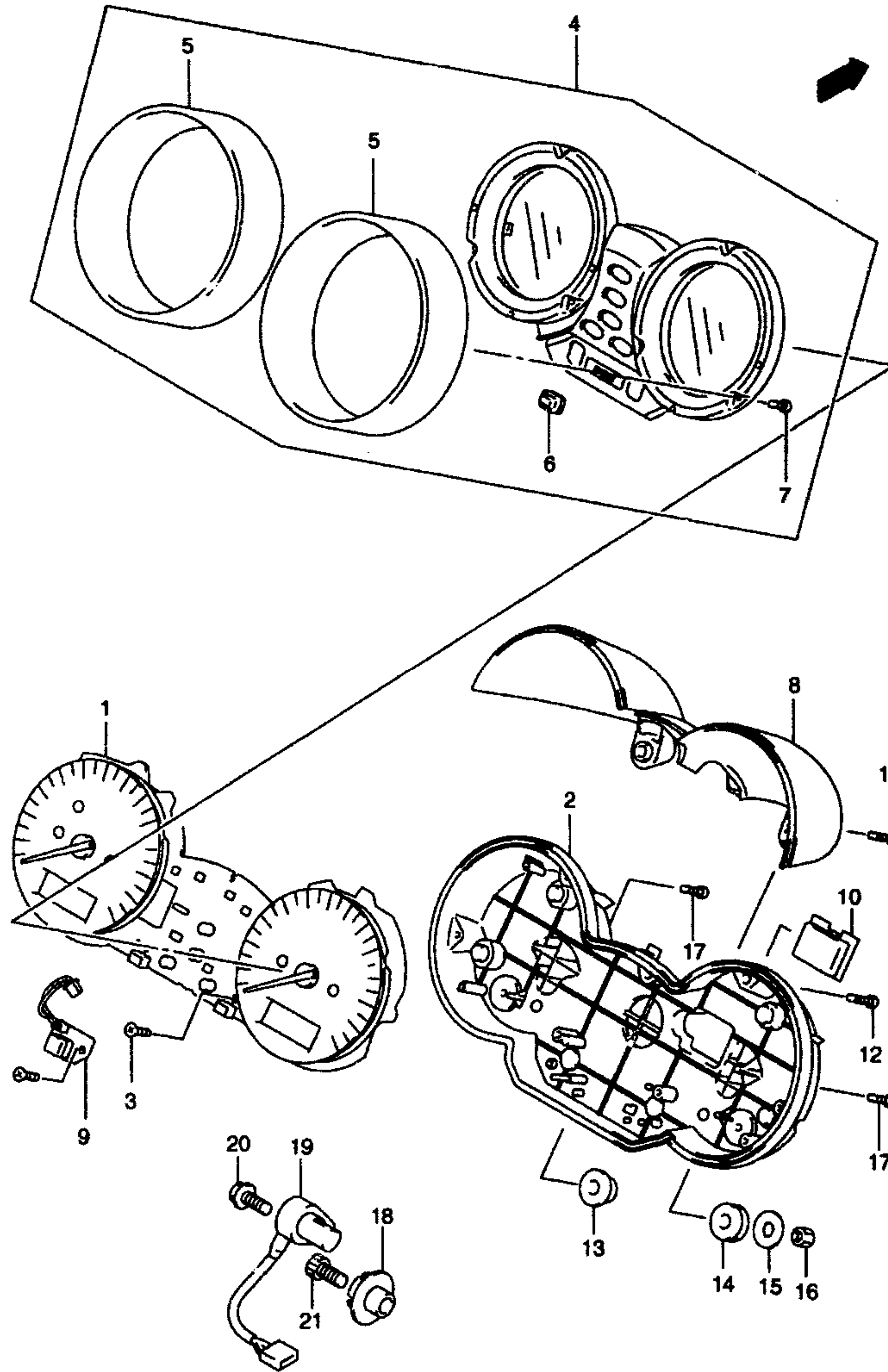
E 6

AIR CLEANER.....	C-07	COWLING BODY.....	I-02	FRAME COVER.....	H-03	GASKET SET.....	B-02	OIL COOLER.....	C-09	SEAT TAIL COVER.....	J-03	TRANSMISSION.....	D-04
ALTERNATOR.....	E-03	COWLING INSTALLATIO	I-04	FRAME.....	G-02	GEAR SHIFTING.....	D-06	OIL PAN.....	B-09	SEAT.....	J-02	TURN SIGNAL LAMP...	F-04
BATTERY.....	E-06	CRANKCASE COVER...	B-08	FRONT BRAKE HOSE...	K-04	HANDLE LEVER.....	H-10	OIL PUMP.....	B-10	SECOND AIR.....	C-10	WIRING HARNESS.....	F-07
CAM CHAIN.....	C-03	CRANKCASE.....	B-06	FRONT CALIPERS.....	K-03	HANDLE SWITCH.....	F-09	OPTIONAL.....	L-07	SIGNAL GENERATOR...	E-04		
CAM SHAFT / VALVE...	C-02	CRANKSHAFT.....	B-11	FRONT DAMPER.....	J-07	HANDLEBAR.....	H-09	REAR CALIPER.....	L-05	SPEEDOMETER.....	E-07		
CANISTER.....	H-02	CYLINDER HEAD COVER	B-03	FRONT FENDER.....	H-07	HEADLAMP HOUSING...	H-06	REAR CUSHION LEVER	L-03	STAND.....	G-04		
CARBURETOR FITTING	C-06	CYLINDER HEAD.....	B-04	FRONT MASTER CYLIND	K-05	HEADLAMP.....	F-02	REAR FENDER.....	H-11	STARTER CLUTCH...	B-12		
CARBURETOR.....	C-04	CYLINDER.....	B-05	FRONT WHEEL.....	K-02	LABEL.....	I-05	REAR MASTER CYLINDE	L-06	STARTING MOTOR...	E-02		
CLUTCH MASTER CYLIN	K-07	ELECTRICAL.....	E-06	FUEL COCK.....	G-09	MANUAL BOX.....	I-05	REAR SWINGING ARM...	L-02	STEERING STEM...	J-08		
CLUTCH.....	D-02	FOOTREST.....	G-06	FUEL TANK.....	G-07	MUFFLER.....	C-18	REAR WHEEL.....	L-04	TAIL LAMP.....	F-06		



FIG.26

Fig.26 ( E-7 ) SPEEDOMETER (GSF1200SK1)



Ref #	Part Number	Description	Qty	Remarks
1-1	34120-31F60	SPEEDOMETER (MILE/KILO)	1	
1-2	34120-31F50	SPEEDOMETER (KILO)	1	E28
2	34111-31F10	LOWER CASE ASSY	1	
3	34149-17E10	SCREW (4X14)	2	
4-1	34150-31F10	UPPER CASE ASSY	1	
4-2	34150-31F30	UPPER CASE ASSY	1	E28
5	34193-31F10	.RING	2	
6	34124-31F10	.RUBBER, SWITCH	2	
7	34183-31F10	.SCREW (2.3X8)	6	
8-1	34152-31F10	COVER	1	
8-2	34152-31F30	COVER	1	E28
9	34177-31F10	SWITCH, PRINT CIRCUIT	2	
10	34198-19F20	GROMMET	1	
11	34149-31F10	SCREW, PAN HEAD (3X14)	2	
12	09132-03008	SCREW (3X16)	7	
13	34955-13E00	CUSHION, METER NO.2	1	
14	34189-32B00	CUSHION, METER NO.1	2	
15	09160-05037	WASHER, METER (5.5X16X1.20)	2	
16	08310-00053	NUT	2	
17	34383-31F10	SCREW (3X14)	2	
18	34981-35F00	ROTOR, SPEED	1	
19	34990-33E10	SENSOR, SPEED	1	
20	07120-05123	BOLT, SPEED SENSOR	1	
21	07130-08253	BOLT, SPEED ROTOR	1	

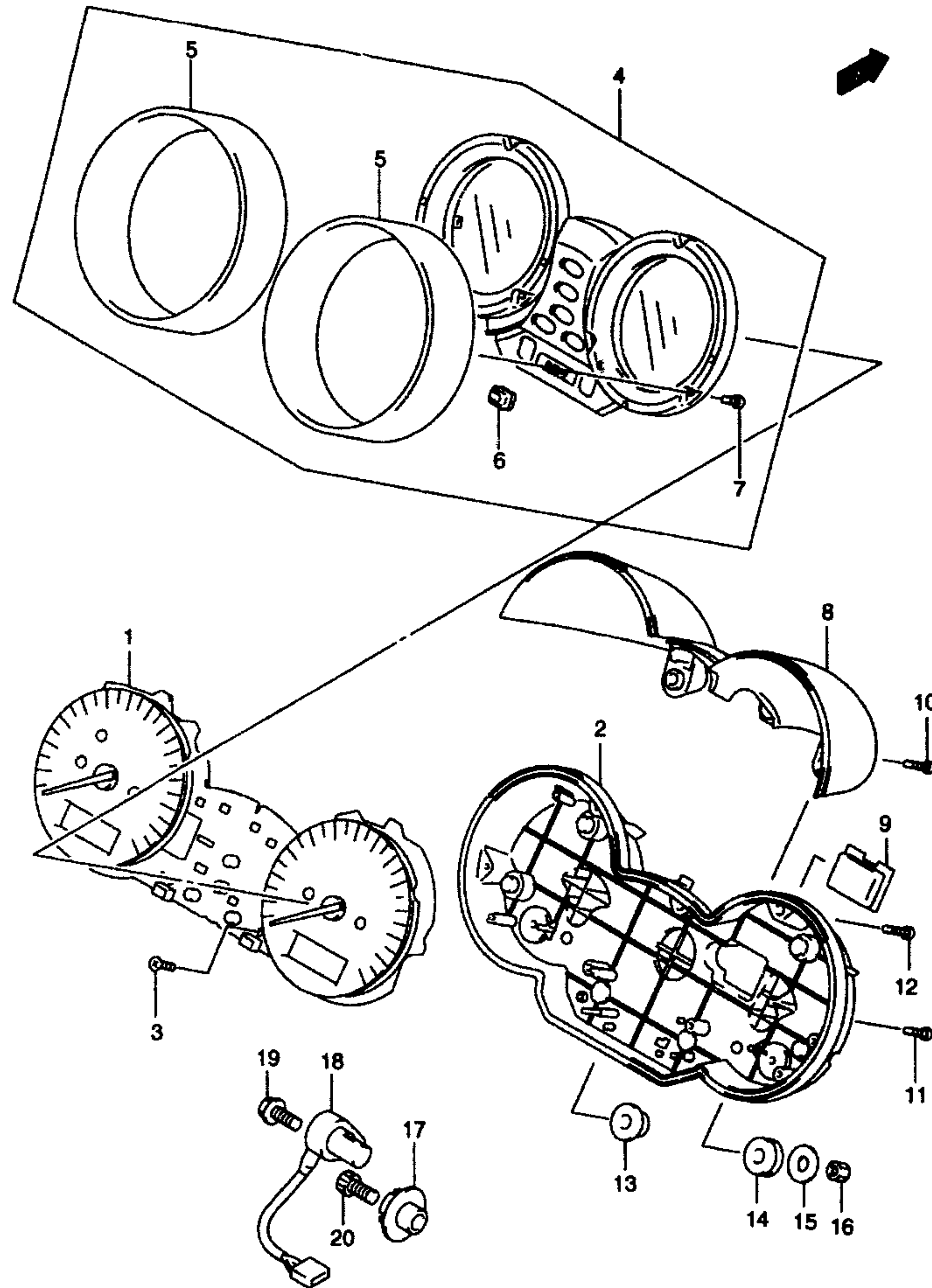
GSF1200SK1 E03 E28\_026  
SPEEDOMETER

31 GSF1200, S K2 E3, E33

E7

AIR CLEANER.....	C-07	COWLING BODY.....	I-02	FRAME COVER.....	H-03	GASKET SET.....	B-02	OIL COOLER.....	C-09	SEAT TAIL COVER.....	J-05	TRANSMISSION.....	D-04
ALTERNATOR.....	E-03	COWLING INSTALLATIO	I-04	FRAME.....	G-02	GEAR SHIFTING.....	D-06	OIL PAN.....	B-09	SEAT.....	J-02	TURN SIGNAL LAMP..	F-04
BATTERY.....	E-06	CRANKCASE COVER.....	B-08	FRONT BRAKE HOSE...	K-04	HANDLE LEVER.....	H-10	OIL PUMP.....	B-10	SECOND AIR.....	C-10	WIRING HARNESS....	F-07
CAM CHAIN.....	C-03	CRANKCASE.....	B-06	FRONT CALIPERS.....	K-03	HANDLE SWITCH.....	F-08	OPTIONAL.....	L-07	SIGNAL GENERATOR..	E-04		
CAM SHAFT / VALVE..	C-02	CRANKSHAFT.....	B-11	FRONT DAMPER.....	J-07	HANDLEBAR.....	H-09	REAR CALIPER.....	L-05	SPEEDOMETER.....	E-07		
CANISTER.....	H-02	CYLINDER HEAD COVER	B-03	FRONT FENDER.....	H-07	HEADLAMP HOUSING..	H-06	REAR CUSHION LEVER	L-03	STAND.....	G-04		
CARBURETOR FITTING	C-06	CYLINDER HEAD.....	B-04	FRONT MASTER CYLIND	K-05	HEADLAMP.....	F-02	REAR FENDER.....	H-11	STARTER CLUTCH....	B-12		
CARBURETOR.....	C-04	CYLINDER.....	B-05	FRONT WHEEL.....	K-02	LABEL.....	I-05	REAR MASTER CYLIND	L-06	STARTING MOTOR....	E-02		
CLUTCH MASTER CYLN	K-07	ELECTRICAL.....	E-05	FUEL COCK.....	G-09	MANUAL BOX.....	H-05	REAR SWINGING ARM..	L-02	STEERING STEM....	J-08		
CLUTCH.....	D-02	FOOTREST.....	G-06	FUEL TANK.....	G-07	MUFFLER.....	C-08	REAR WHEEL.....	L-04	TAIL LAMP.....	F-06		

FIG.26A



Ref #	Part Number	Description	Qty	Remarks
1-1	34120-32F10	SPEEDOMETER (MILE/KILO)	1	
1-2	34120-32F00	SPEEDOMETER (KILO)	1	E28
2	34111-32F00	LOWER CASE ASSY	1	
3	34149-17E10	SCREW (4X14)	2	
4	34150-32F30	UPPER CASE ASSY	1	
5	34193-31F10	.RING	2	
6	34124-32F00	.RUBBER, SWITCH	2	
7	34183-31F10	.SCREW (2.3X8)	6	
8	34152-31F30	COVER	1	
9	34198-19F20	GROMMET	1	
10	34149-31F10	SCREW, PAN HEAD (3X14)	2	
11	34383-31F10	SCREW (3X16)	4	
12	09132-03008	SCREW (3X16)	7	
13	34955-13E00	CUSHION, METER NO.2	1	
14	34189-32B00	CUSHION, METER NO.1	2	
15	09160-05037	WASHER, METER (5.5X16X1.20)	2	
16	08310-00053	NUT	2	
17	34981-35F00	ROTOR, SPEED	1	
18	34990-35F00	SENSOR, SPEED	1	
19	07120-05123	BOLT, SPEED SENSOR	1	
20	07130-08253	BOLT, SPEED ROTOR	1	

GSF1200SK1 E03 E28\_026A  
SPEEDOMETER

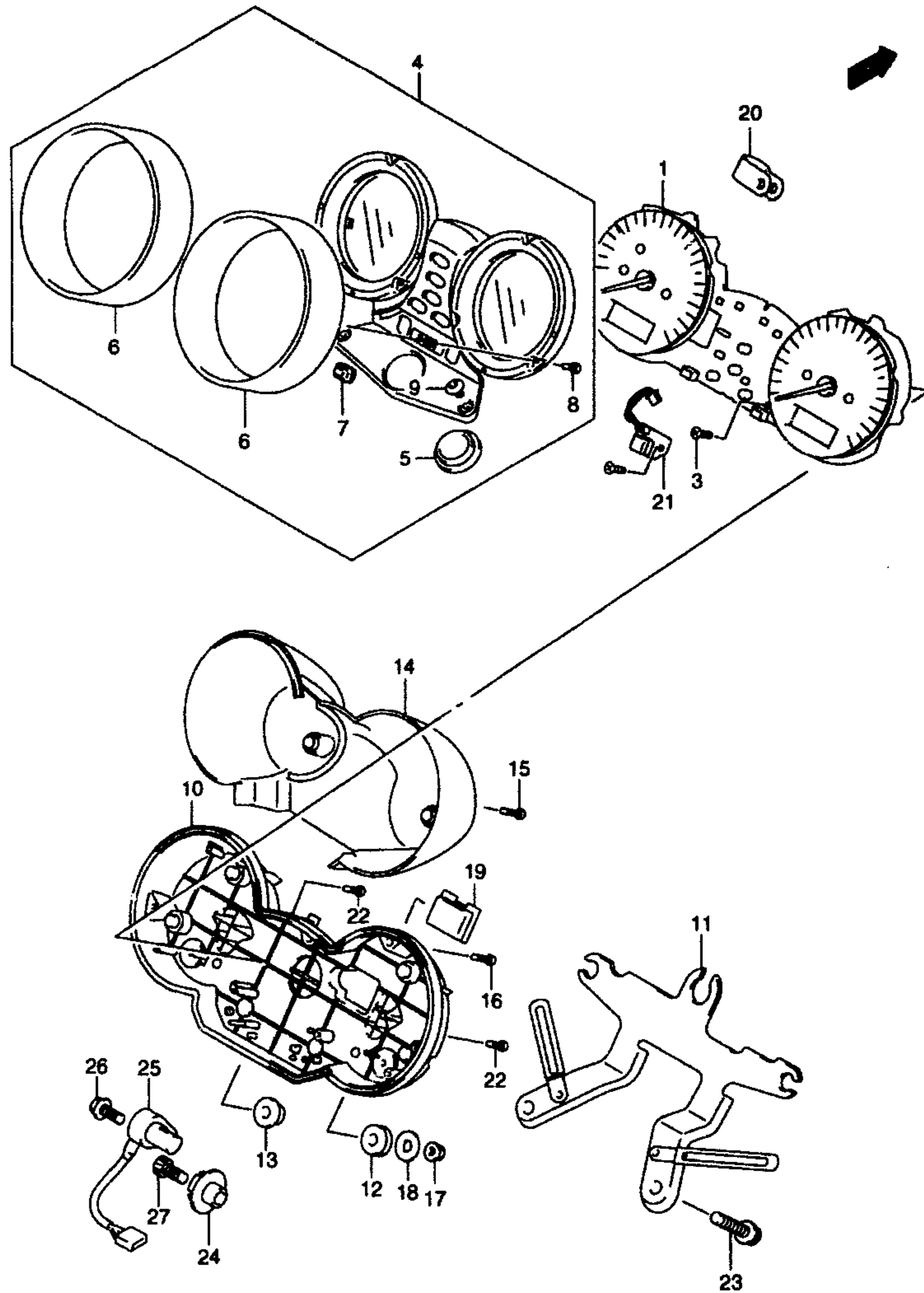
32 GSF1200, S K2 E3, E33

AIR CLEANER.....	C-07	COWLING BODY.....	I-02	FRAME COVER.....	H-03	GASKET SET.....	B-02	OIL COOLER.....	C-08	SEAT TAIL COVER...	J-03	TRANSMISSION.....	D-04
ALTERNATOR.....	E-03	COWLING INSTALLATIO	I-04	FRAME.....	G-02	GEAR SHIFTING.....	D-08	OIL PAN.....	B-08	SEAT.....	J-02	TURN SIGNAL LAMP...	F-04
BATTERY.....	E-08	CRANKCASE COVER.....	B-08	FRONT BRAKE HOSE...	K-04	HANDLE LEVER.....	H-10	OIL PUMP.....	B-10	SECOND AIR.....	C-10	WIRING HARNESS.....	F-07
CAM CHAIN.....	C-03	CRANKCASE.....	B-08	FRONT CALIPERS.....	K-03	HANDLE SWITCH.....	F-09	OPTIONAL.....	L-07	SIGNAL GENERATOR...	E-04		
CAM SHAFT / VALVE..	C-02	CRANKSHAFT.....	B-11	FRONT DAMPER.....	J-07	HANDLEBAR.....	H-09	REAR CALIPER.....	L-06	SPEEDOMETER.....	E-07		
CANISTER.....	H-02	CYLINDER HEAD COVER	B-03	FRONT FENDER.....	H-07	HEADLAMP HOUSING..	H-06	REAR CUSHION LEVER.	L-03	STAND.....	G-04		
CARBURETOR FITTING.	C-08	CYLINDER HEAD.....	B-04	FRONT MASTER CYLIND	K-05	HEADLAMP.....	F-02	REAR FENDER.....	H-11	STARTER CLUTCH.....	B-12		
CARBURETOR.....	C-04	CYLINDER.....	B-05	FRONT WHEEL.....	K-02	LABEL.....	I-05	REAR MASTER CYLINDE	L-06	STARTING MOTOR.....	E-02		
CLUTCH MASTER CYLIN	K-07	ELECTRICAL.....	E-05	FUEL COCK.....	G-09	MANUAL BOX.....	H-05	REAR SWINGING ARM..	L-02	STEERING STEM.....	J-08		
CLUTCH.....	D-02	FOOTREST.....	G-05	FUEL TANK.....	G-07	MUFFLER.....	C-08	REAR WHEEL.....	L-04	TAIL LAMP.....	F-06		



FIG.26B

Fig.26B ( E-9 ) SPEEDOMETER (GSF1200K1)



Ref #	Part Number	Description	Qty	Remarks
1	34120-31F60	SPEEDOMETER (MILE/KILO)	1	
2	34111-31F10	LOWER CASE ASSY	1	
3	34149-17E10	SCREW (4X14)	3	
4	34150-31F10	UPPER CASE ASSY	1	
5	34188-31F10	.DAMPER	1	
6	34193-31F10	.RINT	2	
7	34124-31F10	.RUBBER, SWITCH	2	
8	34183-31F10	.SCREW (2.3X8)	6	
9	34199-31F10	.TAPPING, CAP (5X10.2)	2	
10	34111-31F10	LOWER CASE ASSY	1	
11	34950-31F10	BRACKET	1	
12	34189-32B00	CUSHION	3	
13	34955-13E00	DAMPER	1	
14	34152-31F10	COVER	1	
15	34149-31F10	SCREW, PAN HEAD (3X14)	2	
16	09132-03008	SCREW (3X16)	7	
17	08310-00057	NUT	2	
18	09160-05013	WASHER (5.2X16X1)	3	
19	34198-19F20	GROMMET	1	
20	34179-21F00	CLAMP	1	
21	34177-31F10	SWITCH, PRINT CIRCUIT	2	
22	34383-31F10	SCREW, PAN HEAD (3X16)	4	
23	07120-06163	BOLT, SPEEDOMETER	2	
24	34981-35F00	ROTOR, SPEED	1	
25	34990-33E10	SENSOR, SPEED	1	
26	07120-05123	BOLT, SPEED SENSOR	1	
27	07130-08253	BOLT, SPEED ROTOR	1	

GSF1200SK1 E03 E28\_026B  
SPEEDOMETER

33 GSF1200, S K2 E3, E33

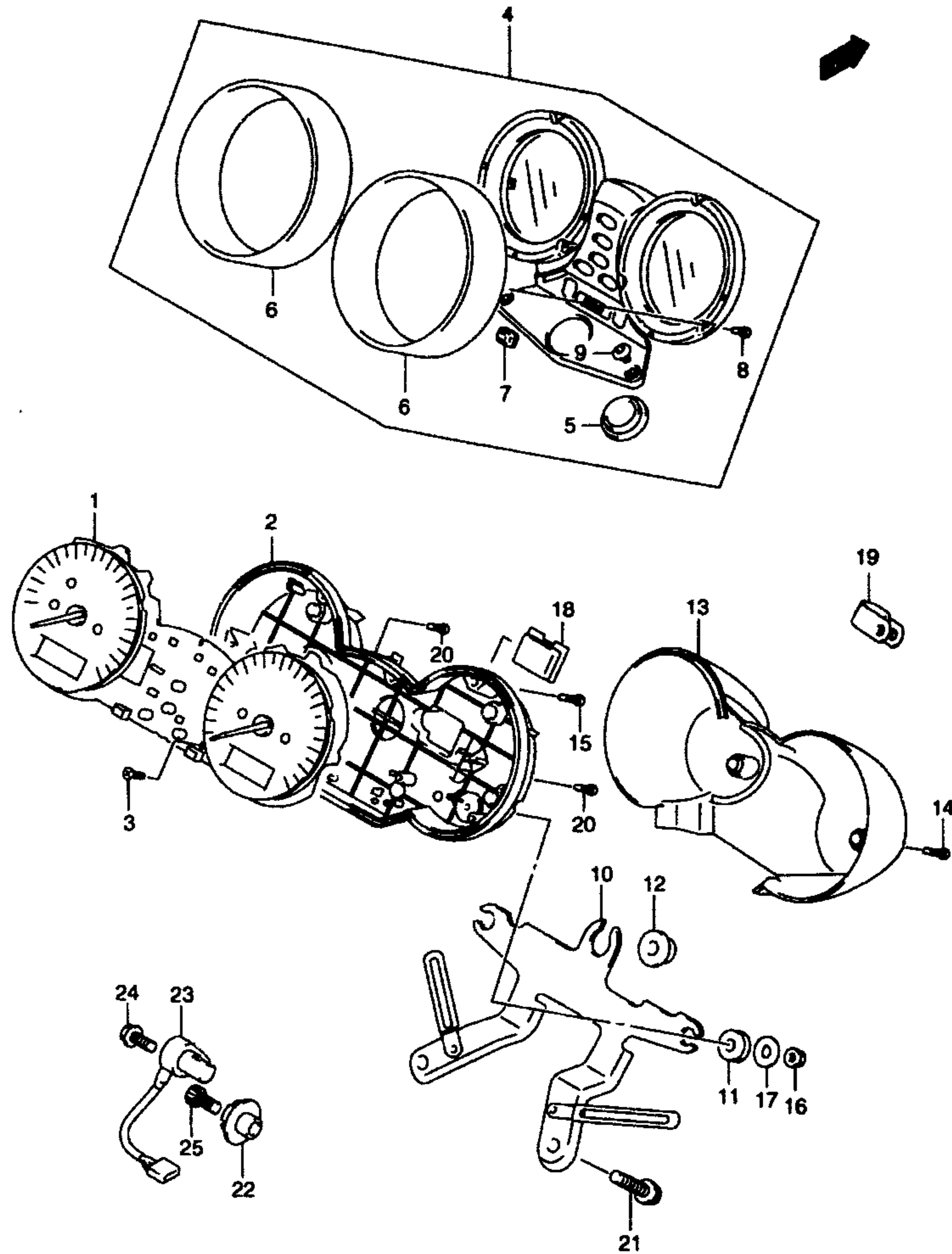
AIR CLEANER.....	C-07	COWLING BODY.....	I-02	FRAME COVER.....	H-03	GASKET SET.....	B-02	OIL COOLER.....	C-09	SEAT TAIL COVER.....	J-03	TRANSMISSION.....	D-04
ALTERNATOR.....	E-03	COWLING INSTALLATIO	I-04	FRAME.....	G-02	GEAR SHIFTING.....	D-06	OIL PAN.....	B-09	SEAT.....	J-02	TURN SIGNAL LAMP...	F-04
BATTERY.....	E-06	CRANKCASE COVER...	B-08	FRONT BRAKE HOSE...	K-04	HANDLE LEVER.....	H-10	OIL PUMP.....	B-10	SECOND AIR.....	C-10	WIRING HARNESS.....	F-07
CAM CHAIN.....	C-03	CRANKCASE.....	B-06	FRONT CALIPERS.....	K-03	HANDLE SWITCH.....	F-09	OPTIONAL.....	L-07	SIGNAL GENERATOR...	E-04		
CAM SHAFT / VALVE..	C-02	CRANKSHAFT.....	B-11	FRONT DAMPER.....	J-07	HANDLEBAR.....	H-09	REAR CALIPER.....	L-05	SPEEDOMETER.....	E-07		
CANISTER.....	H-02	CRANKSHAFT HEAD COVER	B-03	FRONT FENDER.....	H-07	HEADLAMP HOUSING...	H-06	REAR CUSHION LEVER..	L-03	STAND.....	G-04		
CARBURETOR FITTING.	C-06	CYLINDER HEAD.....	B-04	FRONT MASTER CYLIND	K-05	HEADLAMP.....	F-02	REAR FENDER.....	H-11	STARTER CLUTCH.....	B-12		
CARBURETOR.....	C-04	CYLINDER.....	B-05	FRONT WHEEL.....	K-02	LABEL.....	I-05	REAR MASTER CYLIND	L-06	STARTING MOTOR.....	E-02		
CLUTCH MASTER CYLIN	K-07	ELECTRICAL.....	E-05	FUEL COCK.....	G-09	MANUAL BOX.....	H-05	REAR SWINGING ARM..	L-02	STEERING STEM.....	J-08		
CLUTCH.....	D-02	FOOTREST.....	G-06	FUEL TANK.....	G-07	MUFFLER.....	C-06	REAR WHEEL.....	L-04	TAIL LAMP.....	F-06		

FIG.26C

Fig.26C

( E-10)

SPEEDOMETER (GSF1200K2)



Ref #	Part Number	Description	Qty	Remarks
1	34120-32F10	SPEEDOMETER (MILE/KILO)	1	
2	34111-32F00	LOWER CASE ASSY	1	
3	34149-17E10	SCREW (4X14)	3	
4	34150-32F00	UPPER CASE ASSY	1	
5	34188-31F10	.DAMPER	1	
6	34193-31F10	.RING	2	
7	34124-32F00	.RUBBER, SWITCH	2	
8	34183-31F10	.SCREW (2.3X8)	6	
9	34199-31F10	.TAPPING, CAP (5X10.2)	2	
10	34950-31F10	BRACKET	1	
11	34189-32B00	CUSHION	3	
12	34955-13E00	DAMPER	1	
13	34152-31F10	COVER	1	
14	34149-31F10	SCREW, PAN HEAD (3X14)	2	
15	09132-03008	SCREW (3X16)	7	
16	08310-00057	NUT	2	
17	09160-05013	WASHER (5.2X16X1)	3	
18	34198-19F20	GROMMET	1	
19	34179-21F00	CLAMP	1	
20	34383-31F10	SCREW, PAN HEAD (3X16)	4	
21	07120-06163	BOLT, SPEEDOMETER	2	
22	34981-35F00	ROTOR, SPEED	1	
23	34990-35F00	SENSOR, SPEED	1	
24	07120-05123	BOLT, SPEED SENSOR	1	
25	07130-08253	BOLT, SPEED ROTOR	1	

GSF1200SK1 E03 E28\_026C  
SPEEDOMETER

34 GSF1200, S K2 E3, E33

E 10

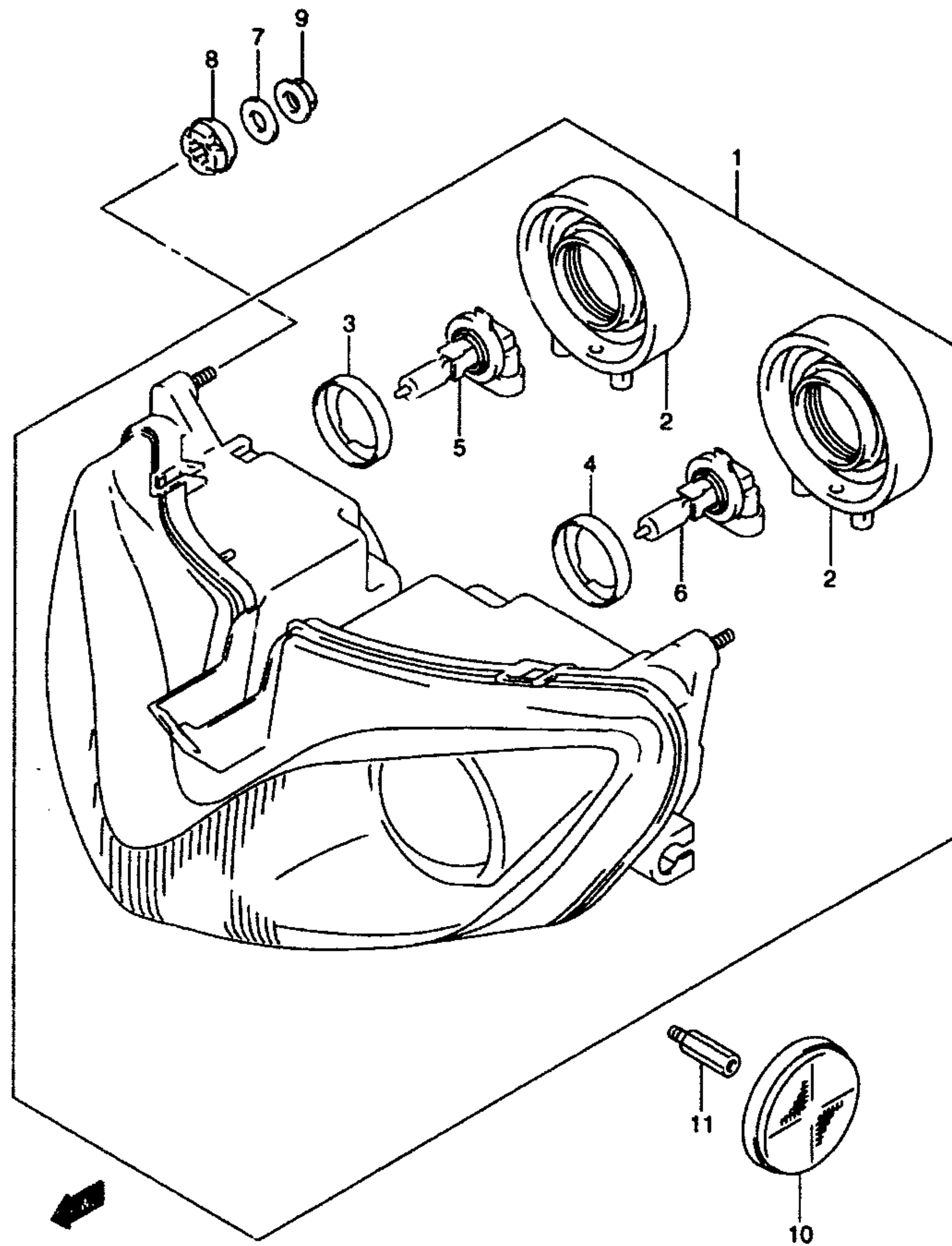
AIR CLEANER.....	C-07	COWLING BODY.....	I-02	FRAME COVER.....	H-03	GASKET SET.....	B-02	OIL COOLER.....	C-09	SEAT TAIL COVER.....	J-03	TRANSMISSION.....	D-04
ALTERNATOR.....	E-03	COWLING INSTALLATIO	I-04	FRAME.....	G-02	GEAR SHIFTING.....	D-08	OIL PAN.....	B-09	SEAT.....	J-02	TURN SIGNAL LAMP.....	F-04
BATTERY.....	E-06	CRANKCASE COVER.....	B-08	FRONT BRAKE HOSE.....	K-04	HANDLE LEVER.....	H-10	OIL PUMP.....	B-10	SECOND AIR.....	C-10	WIRING HARNESS.....	F-07
CAM CHAIN.....	C-03	CRANKCASE.....	B-06	FRONT CALIPERS.....	K-03	HANDLE SWITCH.....	F-09	OPTIONAL.....	L-07	SIGNAL GENERATOR.....	E-04		
CAM SHAFT / VALVE.....	C-02	CRANKSHAFT.....	B-11	FRONT DAMPER.....	J-07	HANDLEBAR.....	H-09	REAR CALIPER.....	L-05	SPEEDOMETER.....	E-07		
CANISTER.....	H-02	CYLINDER HEAD COVER	B-03	FRONT FENDER.....	H-07	HEADLAMP HOUSING...	H-06	REAR CUSHION LEVER.	L-03	STAND.....	G-04		
CARBURETOR FITTING.	C-06	CYLINDER HEAD.....	B-04	FRONT MASTER CYLIND	K-05	HEADLAMP.....	F-02	REAR FENDER.....	H-11	STARTER CLUTCH.....	B-12		
CARBURETOR.....	C-04	CYLINDER.....	B-05	FRONT WHEEL.....	K-02	LABEL.....	I-05	REAR MASTER CYLINDE	L-06	STARTING MOTOR.....	E-02		
CLUTCH MASTER CYLIN	K-07	ELECTRICAL.....	E-05	FUEL COCK.....	G-09	MANUAL BOX.....	H-05	REAR SWINGING ARM..	L-02	STEERING STEM.....	J-08		
CLUTCH.....	D-02	FOOTREST.....	G-05	FUEL TANK.....	G-07	MUFFLER.....	C-06	REAR WHEEL.....	L-04	TAIL LAMP.....	F-06		





FIG.27

Fig.27 ( F-2 ) HEADLAMP (GSF1200SK1/SK2)



Ref #	Part Number	Description	Qty	Remarks
1	35100-31F30-999	HEADLAMP ASSY	1	
2	35125-24F00	.SOCKET, COVER	2	
3	35127-31F50	.RING, RH	1	
4	35327-31F50	.RING, LH	1	
5	09471-12151	BULB (12V,60W,HB3,P20D)	1	PURCHASE LOCALLY FOR HIGH BEAM
6	09471-12150	BULB (12V,51W,HB4,P22D)	1	PURCHASE LOCALLY FOR LOW BEAM
7	09160-06088	WASHER (6.5X20X1.6)	4	
8	09320-09010	CUSHION	4	
9	08316-10063	NUT	4	
10	35950-14A00	REFLEX REFLECTOR ASSY, FRONT	2	
11-1	35959-05900	BOLT	2	MODEL K1
11-2	09119-05023	BOLT	2	MODEL K2

GSF1200SK1 E03 E28\_027  
HEADLAMP

35 GSF1200, S K2 E3, E33

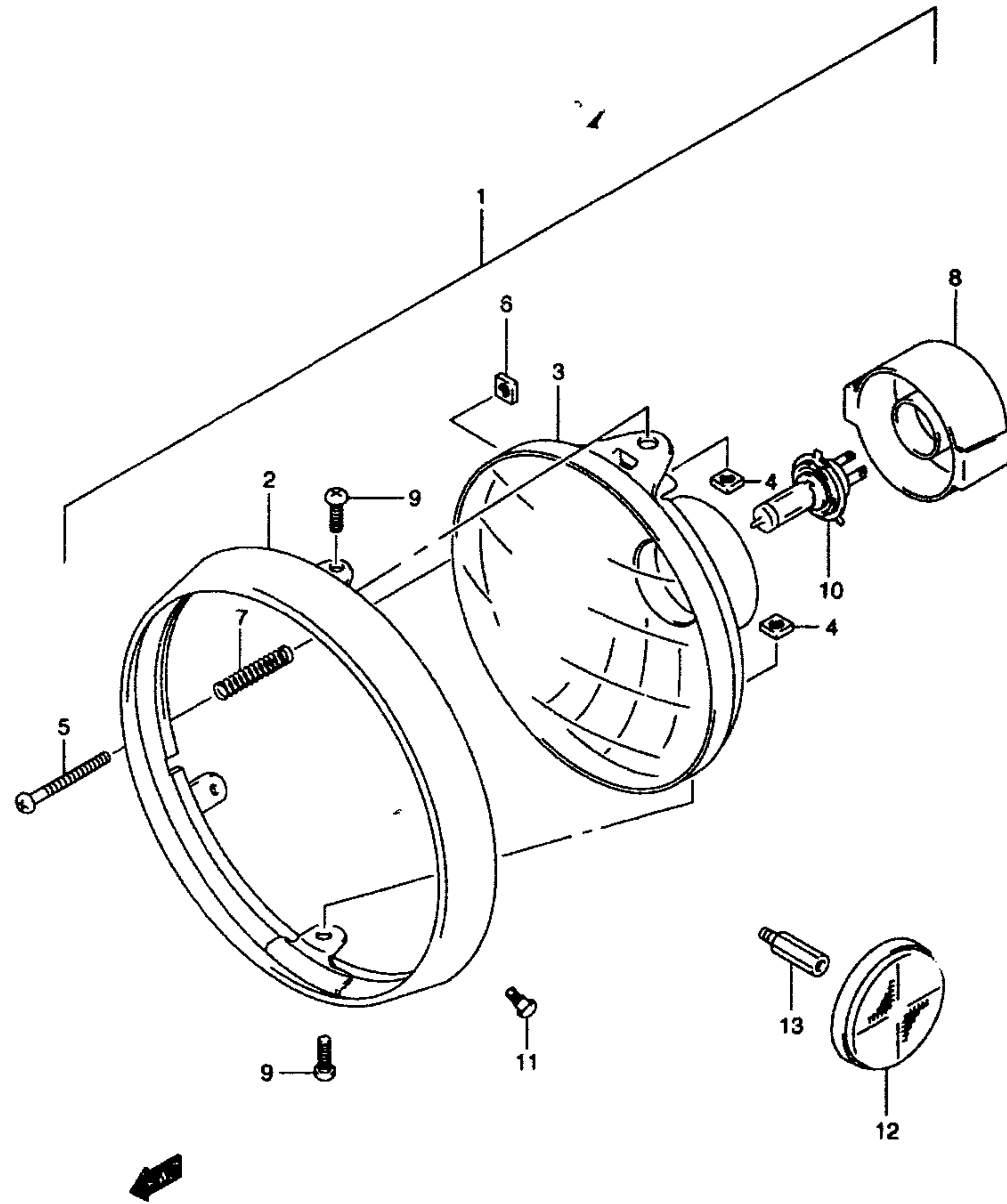
F2

AIR CLEANER.....	C-07	COWLING BODY.....	I-02	FRAME COVER.....	H-03	GASKET SET.....	B-02	OIL COOLER.....	C-09	SEAT TAIL COVER....	J-03	TRANSMISSION.....	D-04
ALTERNATOR.....	E-03	COWLING INSTALLATIO	I-04	FRAME.....	G-02	GEAR SHIFTING.....	D-06	OIL PAN.....	B-09	SEAT.....	J-02	TURN SIGNAL LAMP...	F-04
BATTERY.....	E-08	CRANKCASE COVER...	B-08	FRONT BRAKE HOSE...	K-04	HANDLE LEVER.....	H-10	OIL PUMP.....	B-10	SECOND AIR.....	C-10	WIRING HARNESS.....	F-07
CAM CHAIN.....	C-03	CRANKCASE.....	B-08	FRONT CALIPERS.....	K-03	HANDLE SWITCH.....	F-09	OPTIONAL.....	L-07	SIGNAL GENERATOR...	E-04		
CAM SHAFT / VALVE..	C-02	CRANKSHAFT.....	B-11	FRONT DAMPER.....	J-07	HANDLEBAR.....	H-09	REAR CALIPER.....	L-05	SPEEDOMETER.....	E-07		
CANISTER.....	H-02	CYLINDER HEAD COVER	B-03	FRONT FENDER.....	H-07	HEADLAMP HOUSING...	H-08	REAR CUSHION LEVER	L-03	STAND.....	G-04		
CARBURETOR FITTING	C-06	CYLINDER HEAD.....	B-04	FRONT MASTER CYLIND	K-05	HEADLAMP.....	F-02	REAR FENDER.....	H-11	STARTER CLUTCH....	B-12		
CARBURETOR.....	C-04	CYLINDER.....	B-05	FRONT WHEEL.....	K-02	LABEL.....	I-05	REAR MASTER CYLINDE	L-06	STARTING MOTOR....	E-02		
CLUTCH MASTER CYLIN	K-07	ELECTRICAL.....	E-05	FUEL COCK.....	G-09	MANUAL BOX.....	H-05	REAR SWINGING ARM..	L-02	STEERING STEM....	J-08		
CLUTCH.....	D-02	FOOTREST.....	G-05	FUEL TANK.....	G-07	MUFFLER.....	C-06	REAR WHEEL.....	L-04	TAIL LAMP.....	F-06		



FIG.27A

Fig.27A ( F-3 ) HEADLAMP (GSF1200K1/K2)



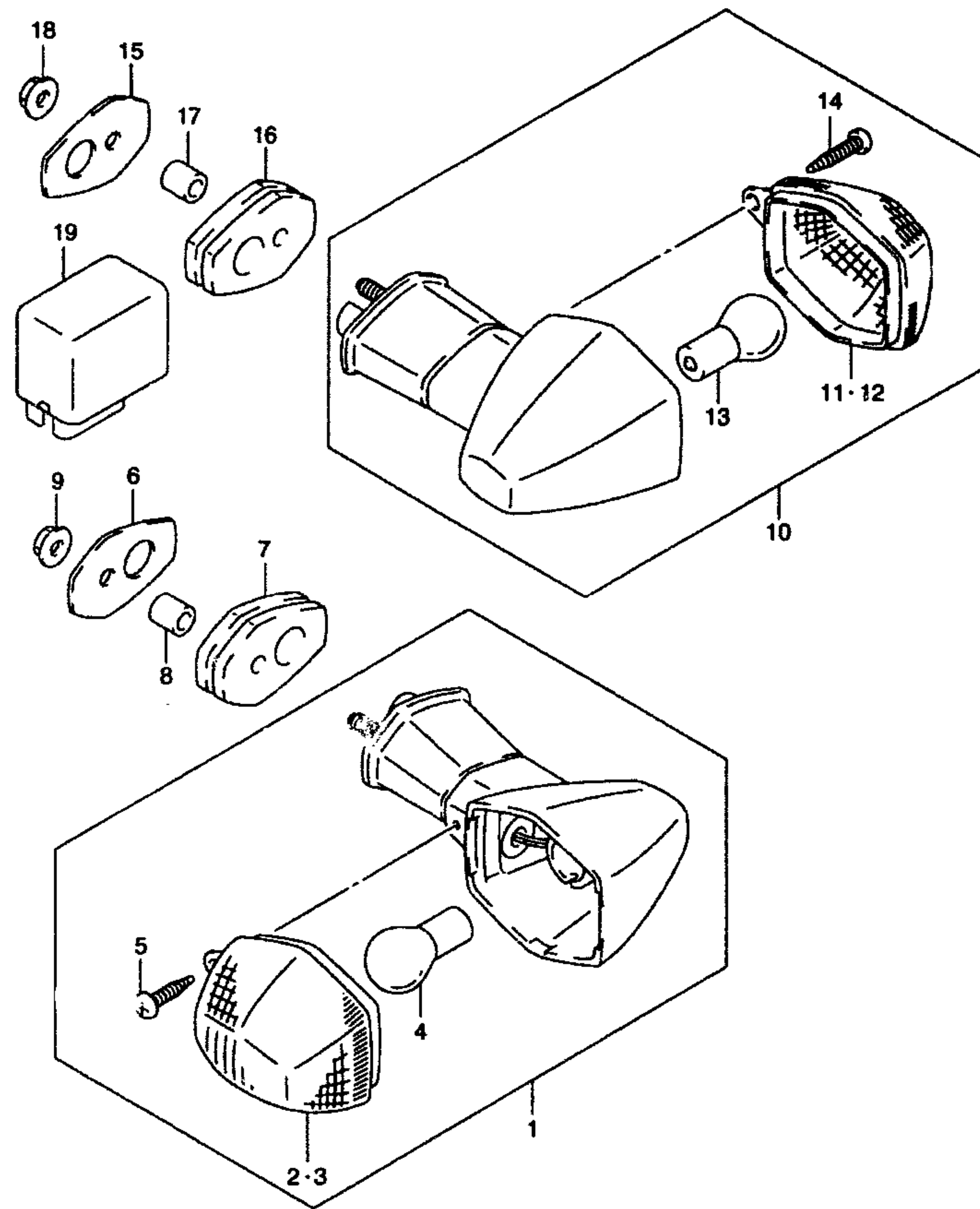
Ref #	Part Number	Description	Qty	Remarks
1	35100-19F00-999	HEADLAMP ASSY	1	
2	35111-19F00	.RIM	1	
3	35121-19F00	.LAMP UNIT	1	
4	35135-45900	.NUT	2	
5	35151-19F00	.SCREW, ADJUSTING	1	
6	35152-45600	.NUT	1	
7	35154-13F00	.SPRING	1	
8	35174-19F00	.COVER, SOCKET	1	
9	35181-19F00	.SCREW (5X16)	2	
10	09471-12185	BULB (12V,60/55W)	1	
11	09139-05038	SCREW, HEADLAMP	2	
12	35950-14A00	REFLEX-REFLECTOR ASSY, FR SID	2	
13-1	35959-05900	BOLT	2	MODEL K1
13-2	09119-05023	BOLT	2	MODEL K2

GSF1200SK1 E03 E28\_027A  
HEADLAMP

36 GSF1200, S K2 E3, E33

F3

AIR CLEANER.....	C-07	COWLING BODY.....	I-02	FRAME COVER.....	H-03	GASKET SET.....	B-02	OIL COOLER.....	C-09	SEAT TAIL COVER....	J-03	TRANSMISSION.....	D-04
ALTERNATOR.....	E-03	COWLING INSTALLATIO	I-04	FRAME.....	G-02	GEAR SHIFTING.....	D-06	OIL PAN.....	B-09	SEAT.....	J-02	TURIN SIGNAL LAMP..	F-04
BATTERY.....	E-06	CRANKCASE COVER....	B-08	FRONT BRAKE HOSE...	K-04	HANDLE LEVER.....	H-10	OIL PUMP.....	B-10	SECOND AIR.....	C-10	WIRING HARNESS....	F-07
CAM CHAIN.....	C-03	CRANKCASE.....	B-06	FRONT CALIPERS.....	K-03	HANDLE SWITCH.....	F-09	OPTIC V.....	L-07	SIGNAL GENERATOR...	E-04		
CAM SHAFT / VALVE..	C-02	CRANKSHAFT.....	B-11	FRONT DAMPER.....	J-07	HANDLEBAR.....	H-09	REAR CALIPER.....	L-06	SPEEDOMETER.....	E-07		
CANISTER.....	H-02	CYLINDER HEAD COVER	B-03	FRONT FENDER.....	H-07	HEADLAMP HOUSING..	H-08	REAR CUSHION LEVER.	L-03	STAND.....	G-04		
CARBURETOR FITTING.	C-06	CYLINDER HEAD.....	B-04	FRONT MASTER CYLIND	K-05	HEADLAMP.....	F-02	REAR FENDER.....	H-11	STARTER CLUTCH....	B-12		
CARBURETOR.....	C-04	CYLINDER.....	B-05	FRONT WHEEL.....	K-02	LABEL.....	I-05	REAR MASTER CYLINDE	L-06	STARTING MOTOR....	E-02		
CLUTCH MASTER CYLIN	K-07	ELECTRICAL.....	E-05	FUEL COCK.....	G-09	MANUAL BOX.....	H-05	REAR SWINGING ARM..	L-02	STEERING STEM....	J-08		
CLUTCH.....	D-02	FOOTREST.....	G-05	FUEL TANK.....	G-07	MUFFLER.....	C-08	REAR WHEEL.....	L-04	TAIL LAMP.....	F-08		



Ref #	Part Number	Description	Qty	Remarks
1-1	35601-31F10	LAMP ASSY, FRONT TURN RH	1	
1-2	35602-31F10	LAMP ASSY, FRONT TURN LH	1	
2	35612-31F30	.LENS, RH	2	
3	35632-31F30	.LENS, LH	1	
4	09471-12045	.BULB (12V,21W)	2	
5	03242-04163	.SCREW	2	
6	35629-31F00	PLATE, FRONT TURN	2	
7	35690-31F00	CUSHION	2	
8	09180-05301	SPACER (5.5X9.5X10)	2	
9	08316-10053	NUT	2	
10-1	35603-31F30	LAMP ASSY, REAR TURN RH	1	
10-2	35604-31F30	LAMP ASSY, REAR TURN LH	1	
11	35632-31F30	.LENS, RH	1	
12	35612-31F30	.LENS, LH	1	
13	09471-12045	.BULB (12V,21W)	2	
14	03242-04163	.SCREW	2	
15	35629-31F00	PLATE, REAR TURN	2	
16	35690-31F00	CUSHION	2	
17	09180-05301	SPACER (5.5X9.5X10)	2	
18	08316-10053	NUT	2	
19	38610-03F00	RELAY ASSY, TURNSIGNAL	1	

GSF1200SK1 E03 E28\_028  
TURNSIGNAL LAMP

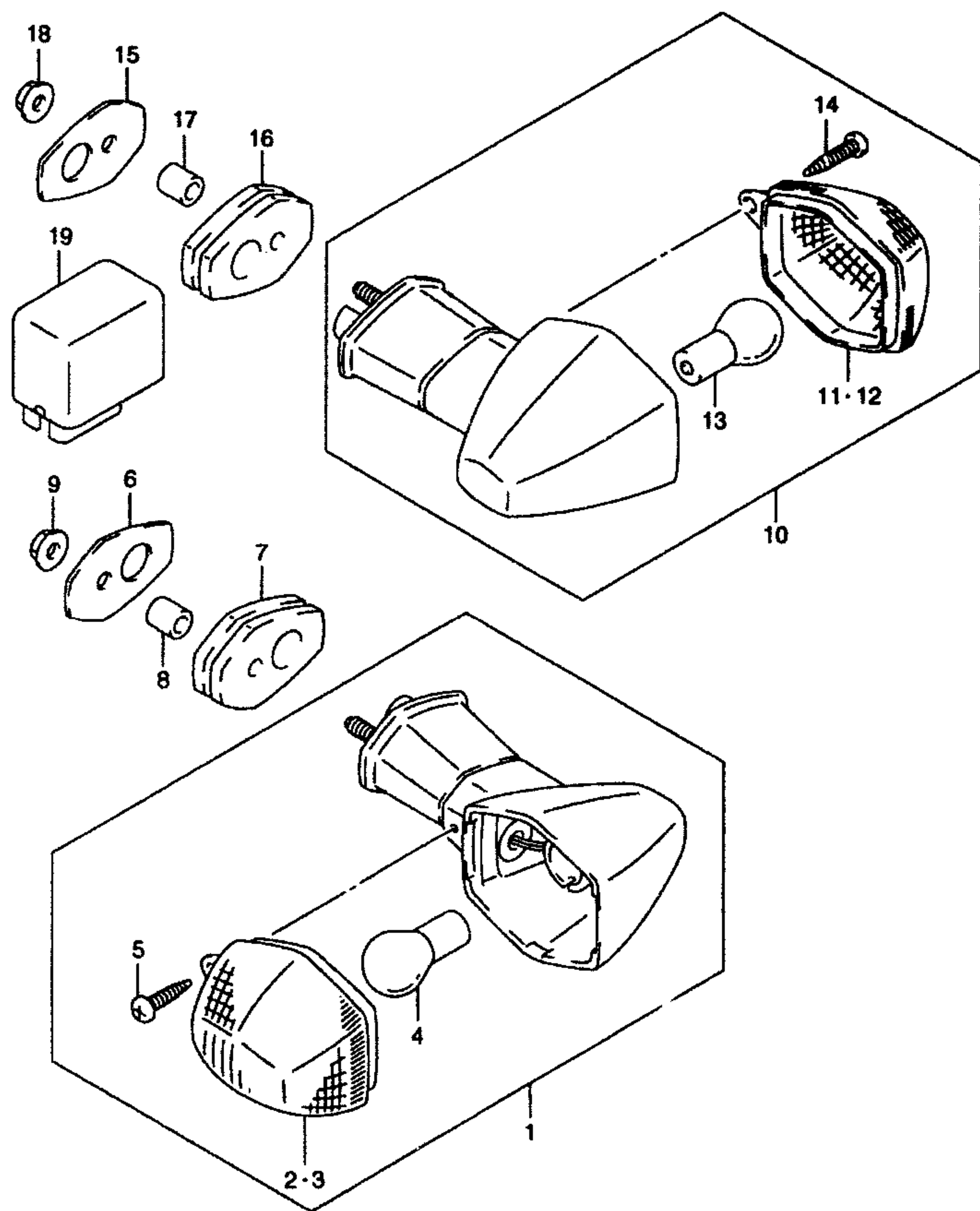
37 GSF1200, S K2 E3, E33

AIR CLEANER.....	C-07	COWLING BODY.....	I-02	FRAME COVER.....	H-03	GASKET SET.....	B-02	OIL COOLER.....	C-09	SEAT TAIL COVER....	J-03	TRANSMISSION.....	D-04
ALTERNATOR.....	E-03	COWLING INSTALLATIO	I-04	FRAME.....	G-02	GEAR SHIFTING.....	D-06	OIL PAN.....	B-09	SEAT.....	J-02	TURN SIGNAL LAMP...	F-04
BATTERY.....	E-06	CRANKCASE COVER.....	B-06	FRONT BRAKE HOSE...	K-04	HANDLE LEVER.....	H-10	OIL PUMP.....	B-10	SECOND AIR.....	C-10	WIRING HARNESS....	F-07
CAM CHAIN.....	C-03	CRANKCASE.....	B-06	FRONT CALIPERS.....	K-03	HANDLE SWITCH.....	F-09	OPTIONAL.....	L-07	SIGNAL GENERATOR...	E-04		
CAM SHAFT / VALVE..	C-02	CRANKSHAFT.....	J-11	FRONT DAMPER.....	J-07	HANDLEBAR.....	H-09	REAR CALIPER.....	L-05	SPEEDOMETER.....	E-07		
CANISTER.....	H-02	CYLINDER HEAD COVER	B-03	FRONT FENDER.....	H-07	HEADLAMP HOUSING..	H-06	REAR CUSHION LEVER	L-03	STAND.....	G-04		
CARBURETOR FITTING	C-06	CYLINDER HEAD.....	B-04	FRONT MASTER CYLIND	K-05	HEADLAMP.....	F-02	REAR FENDER.....	H-11	STARTER CLUTCH....	B-12		
CARBURETOR.....	C-04	CYLINDER.....	B-05	FRONT WHEEL.....	K-02	LABEL.....	I-05	REAR MASTER CYLINDE	L-08	STARTING MOTOR....	E-02		
CLUTCH MASTER CYLIN	K-07	ELECTRICAL.....	E-05	FUEL COCK.....	G-06	MANUAL BOX.....	H-05	REAR SWINGING ARM..	L-02	STEERING STEM....	J-08		
CLUTCH.....	D-02	FOOTREST.....	G-05	FUEL TANK.....	G-07	MUFFLER.....	C-08	REAR WHEEL.....	L-04	TAIL LAMP.....	F-06		



FIG.28A

Fig.28A ( F-5 ) TURN SIGNAL LAMP (GSF1200K1/K2)



Ref #	Part Number	Description	Qty	Remarks
1-1	35601-31FA0	LAMP ASSY, FRONT TURN RH	1	
1-2	35602-31FA0	LAMP ASSY, FRONT TURN LH	1	
2	35612-31F30	.LENS, RH	1	
3	35632-31F30	.LENS, LH	1	
4	09471-12045	.BULB (12V,21W)	2	
5	03242-04163	.SCREW	2	
6	35629-31F00	PLATE, FRONT TURN	2	
7	35690-31F50	CUSHION	2	
8	09180-05301	SPACER (5.5X9.5X10)	2	
9	08316-10053	NUT	2	
10-1	35603-31F30	LAMP ASSY, REAR TURN RH	1	
10-2	35604-31F30	LAMP ASSY, REAR TURN LH	1	
11	35632-31F30	.LENS, RH	1	
12	35612-31F30	.LENS, LH	1	
13	09471-12045	.BULB (12V,21W)	2	
14	03242-04163	.SCREW	2	
15	35629-31F00	PLATE, REAR TURN	2	
16	35690-31F00	CUSHION	2	
17	09180-05301	SPACER (5.5X9.5X10)	2	
18	08316-10053	NUT	2	
19	38610-03F00	RELAY ASSY, TURN SIGNAL	1	

GSF1200SK1 E03 E28\_028A  
TURN SIGNAL LAMP

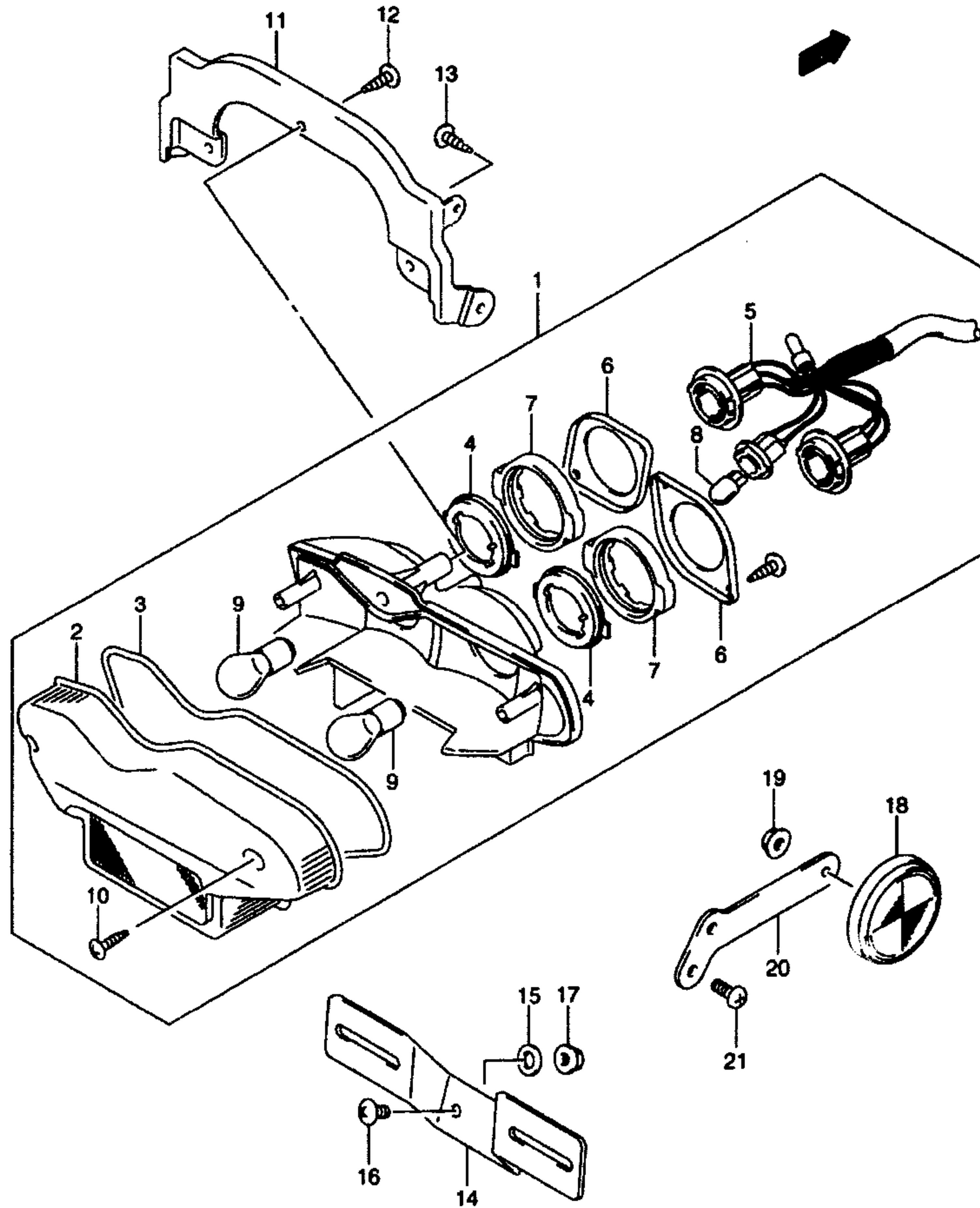
38 GSF1200, S K2 E3, E33

F5

AIR CLEANER.....	C-07	COWLING BODY.....	I-02	FRAME COVER.....	H-03	GASKET SET.....	B-02	OIL COOLER.....	C-09	SEAT TAIL COVER.....	J-03	TRANSMISSION.....	D-04
ALTERNATOR.....	E-03	COWLING INSTALLATIO	I-04	FRAME.....	G-02	GEAR SHIFTING.....	D-08	OIL PAN.....	B-09	SEAT.....	J-02	TURN SIGNAL LAMP.....	F-04
BATTERY.....	E-08	CRANKCASE COVER....	B-08	FRONT BRAKE HOSE...	K-04	HANDLE LEVER.....	H-10	OIL PUMP.....	B-10	SECOND AIR.....	C-10	WIRING HARNESS.....	F-07
CAM CHAIN.....	C-03	CRANKCASE.....	B-08	FRONT CALIPERS.....	K-03	HANDLE SWITCH.....	F-09	OPTIONAL.....	L-07	SIGNAL GENERATOR...	E-04		
CAM SHAFT / VALVE..	C-02	CRANKSHAFT.....	B-11	FRONT DAMPER.....	J-07	HANDLEBAR.....	H-09	REAR CALIPER.....	L-05	SPEEDOMETER.....	E-07		
CANISTER.....	H-02	CYLINDER HEAD COVER	B-03	FRONT FENDER.....	H-07	HEADLAMP HOUSING...	H-08	REAR CUSHION LEVER.	L-03	STAND.....	G-04		
CARBURETOR FITTING.	C-06	CYLINDER HEAD.....	B-04	FRONT MASTER CYLIND	K-05	HEADLAMP.....	F-02	REAR FENDER.....	H-11	STARTER CLUTCH.....	B-12		
CARBURETOR.....	C-04	CYLINDER.....	B-05	FRONT WHEEL.....	K-02	LABEL.....	I-05	REAR MASTER CYLINDE	L-08	STARTING MOTOR.....	E-02		
CLUTCH MASTER CYLIN	K-07	ELECTRICAL.....	E-05	FUEL COCK.....	G-09	MANUAL BOX.....	H-05	REAR SWINGING ARM..	L-02	STEERING STEM.....	J-08		
CLUTCH.....	D-02	FOOTREST.....	G-05	FUEL TANK.....	G-07	MUFFLER.....	C-08	REAR WHEEL.....	L-04	TAIL LAMP.....	F-06		

FIG.29

Fig.29 ( F-6 ) TAIL LAMP



Ref #	Part Numbe.	Description	Qty	Remarks
1	35710-31F31	LAMP ASSY, REAR COMBINATION	1	
2	35712-31F30	.LENS	1	
3	35713-21F00	.GASKET	1	
4	35716-48B21	.PLATE, NO.1	2	
5	35718-24F00	.SOCKET & CORD	1	
6	35736-48B21	.PLATE, NO.2	2	
7	35765-48B21	.CUSHION	2	
8	09471-12081	.BULB (12V,5W)	1	
9	09471-12083	.BULB (12V,21/5W)	2	
10	03211-04207	.SCREW	2	
11	35726-31F00	BRACKET, REAR COMP	1	
12	03541-05163	SCREW, REAR COMB	3	
13	03541-05163	SCREW, REAR BRACKET	4	
14	35927-48B30	BRACKET, LICENSE BRACKET	1	
15	09160-06088	WASHER	2	
16	02142-06163	SCREW	2	
17	08316-10063	NUT	2	
18	35970-14A20	REFLECTOR ASSY, REAR SIDE	2	
19	08316-10053	NUT	2	
20-1	35975-31F00	BRACKET, RR SIDE RH	1	
20-2	35976-31F00	BRACKET, RR SIDE LH	1	
21	02142-06123	SCREW	4	

GSF1200SK1 E03 E28\_029  
TAIL LAMP

39 GSF1200, S K2 E3, E33

F6

AIR CLEANER.....	C-07	COWLING BODY.....	I-02	FRAME COVER.....	H-03	GASKET SET.....	B-02	OIL COOLER.....	C-09	SEAT TAIL COVER.....	J-03	TRANSMISSION.....	D-04
ALTERNATOR.....	E-03	COWLING INSTALLATIO	I-04	FRAME.....	G-02	GEAR SHIFTING.....	D-08	OIL PAN.....	B-09	SEAT.....	J-02	TURN SIGNAL LAMP.....	F-04
BATTERY.....	E-08	CRANKCASE COVER.....	B-08	FRONT BRAKE HOSE...	K-04	HANDLE LEVER.....	H-10	OIL PUMP.....	B-10	SECOND AIR.....	C-10	WIRING HARNESS.....	F-07
CAM CHAIN.....	C-03	CRANKCASE.....	B-06	FRONT CALIPEPS.....	K-03	HANDLE SWITCH.....	F-09	OPTIONAL.....	L-07	SIGNAL GENERATOR...	E-04		
CAM SHAFT / VALVE...	C-02	CRANKSHAFT.....	B-11	FRONT DAMPER.....	J-07	HANDLEBAR.....	H-09	REAR CALIPER.....	L-05	SPEEDOMETER.....	E-07		
CANISTER.....	H-02	CYLINDER HEAD COVER	B-03	FRONT FENDER.....	H-07	HEADLAMP HOUSING...	H-06	REAR CUSHION LEVER..	L-03	STAND.....	G-04		
CARBURETOR FITTING..	C-06	CYLINDER HEAD.....	B-04	FRONT MASTER CYLIND	K-05	HEADLAMP.....	F-02	REAR FENDER.....	H-11	STARTER CLUTCH.....	B-12		
CARBURETOR.....	C-04	CYLINDER.....	B-05	FRONT WHEEL.....	K-02	LABEL.....	I-05	REAR MASTER CYLINDE	L-08	STARTING MOTOR.....	E-02		
CLUTCH MASTER CYLIN	K-07	ELECTRICAL.....	E-05	FUEL COCK.....	G-08	MANUAL BOX.....	H-05	REAR SWINGING ARM..	L-02	STEERING STEM.....	J-08		
CLUTCH.....	D-02	FOOTREST.....	G-05	FUEL TANK.....	G-07	MUFFLER.....	C-08	REAR WHEEL.....	L-04	TAIL LAMP.....	F-06		



FIG.30

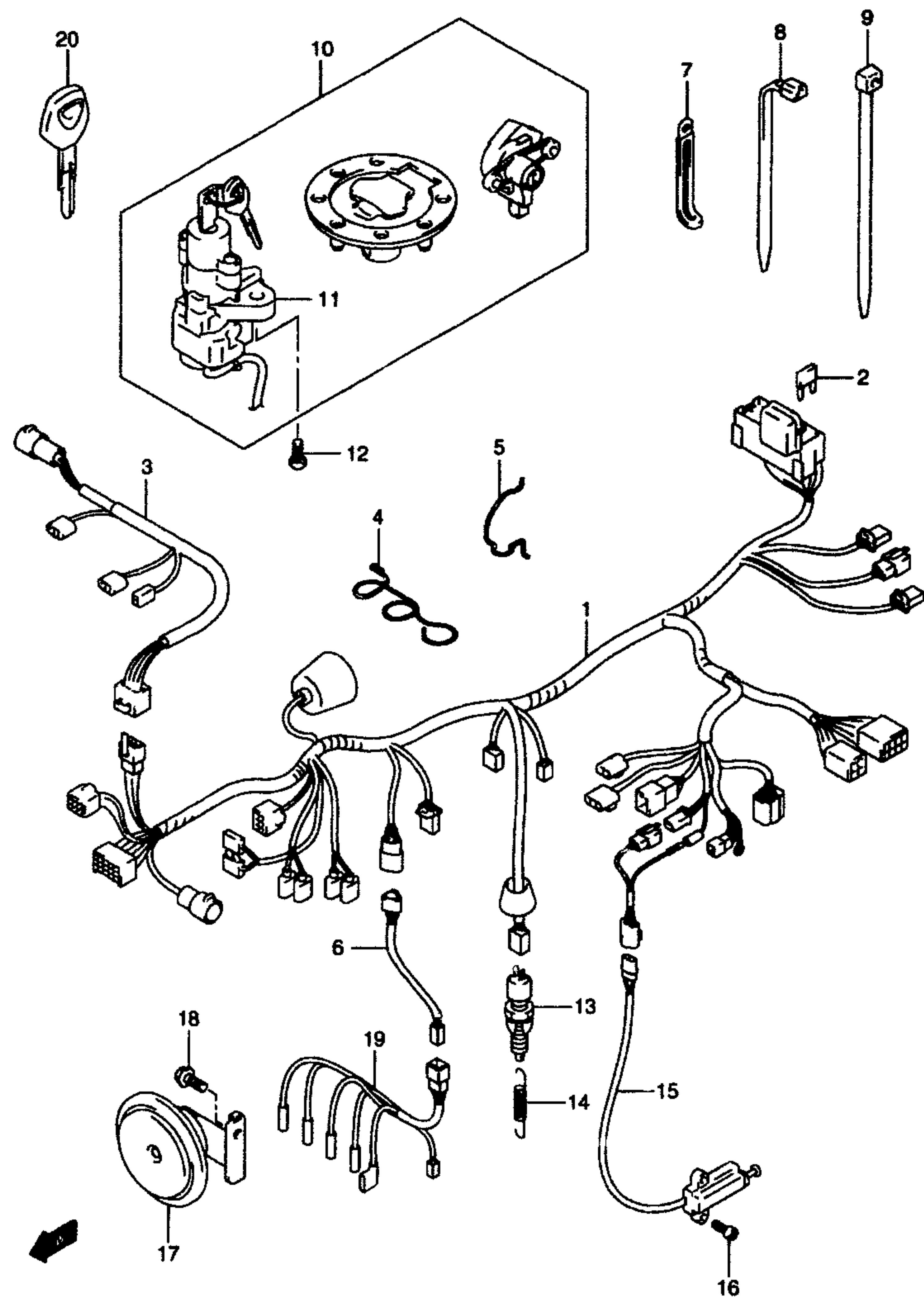


Fig.30 ( F-7 ) WIRING HARNESS (GSF1200SK1/SK2)

Ref #	Part Number	Description	Qty	Remarks
1-1	36610-31F60	HARNESS, WIRING	1	MODEL K1
1-2	36610-31FE0	HARNESS, WIRING	1	MODEL K2
2-1	09481-10501	. FUSE (10A)	2	
2-2	09481-15501	. FUSE (15A)	3	
3	36620-31F50	HARNESS, WIRING NO.2	1	
4	36619-31F00	GUIDE, WIRING HARNESS	1	
5	36619-31F20	GUIDE, WIRING HARNESS	1	
6	36853-31F00	WIRE, TPS LEAD	1	
7-1	09404-06432	CLAMP (L:80)	1	
7-2	09404-06434	CLAMP (L:95)	1	
8-1	09407-11402	CLAMP (L:75)	1	
8-2	09407-14403	CLAMP (L:125)	4	
8-3	09407-18402	CLAMP (L:165)	9	
9	09407-14407	CLAMP (L:145)	1	
10-1	37103-33890	LOCK SET	1	
10-2	37104-33810	LOCK SET	1	E33
11	37100-33E20	. LOCK ASSY, STEERING	1	
12	09139-08016	SCREW	2	
13	37740-24A00	SWITCH ASSY, STOP LAMP	1	
14	09443-06054	SPRING, STOP LAMP	1	
15	37840-44X50	SWITCH ASSY, SIDE STAND	1	
16	07120-06203	SCREW, SIDE STAND	2	
17	38500-31F00	HORN ASSY, LOW PITCHED	1	
18	01550-06123	BOLT, HORN	1	
19	36856-21E00	WIRE, CARB HEATER	1	OPT
20	37146-33E00	KEY, BLANK	1	OPT

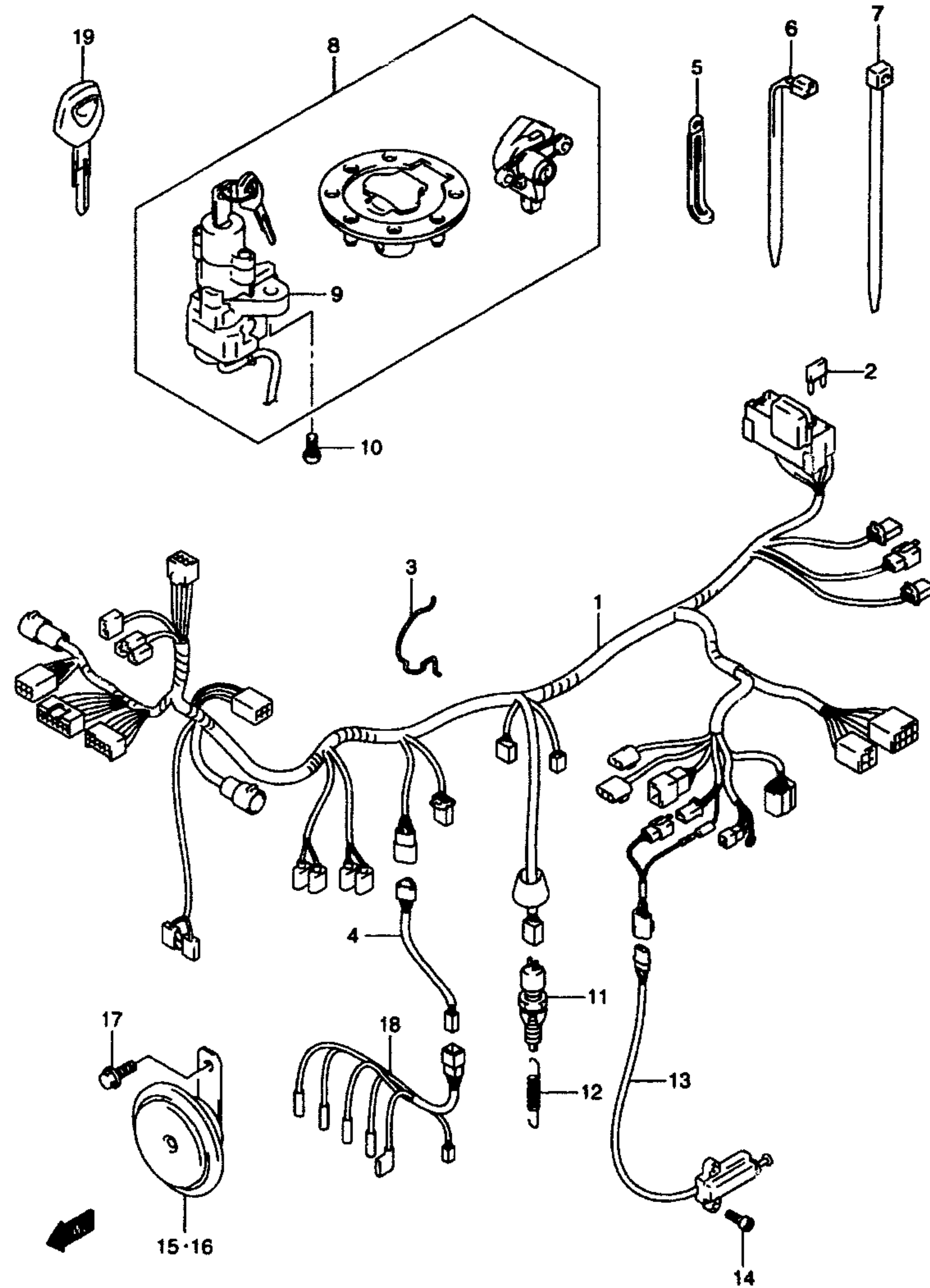
GSF1200SK1 E03 E28\_030  
WIRING HARNESS

40 GSF1200, S K2 E3, E33

AIR CLEANER.....	C-07	COWLING BODY.....	H-02	FRAME COVER.....	H-03	GASKET SET.....	B-02	OIL COOLER.....	C-08	SEAT TAIL COVER.....	J-03	TRANSMISSION.....	D-04
ALTERNATOR.....	E-03	COWLING INSTALLATIO	H-04	FRAME.....	G-02	GEAR SHIFTING.....	D-08	OIL PAN.....	B-09	SEAT.....	J-02	TURN SIGNAL LAMP.....	F-04
BATTERY.....	E-08	CRANKCASE COVER.....	B-08	FRONT BRAKE HOSE.....	K-04	HANDLE LEVER.....	H-10	OIL PUMP.....	B-10	SECOND AIR.....	C-10	WIRING HARNESS.....	F-07
CAM CHAIN.....	C-03	CRANKCASE.....	B-06	FRONT CALIPERS.....	K-03	HANDLE SWITCH.....	F-09	OPTIONAL.....	L-07	SIGNAL GENERATOR.....	E-04		
CAM SHAFT / VALVE.....	C-32	CRANKSHAFT.....	B-11	FRONT DAMPER.....	J-07	HANDLEBAR.....	H-09	REAR CALIPER.....	L-06	SPEEDOMETER.....	F-07		
CANISTER.....	H-02	CYLINDER HEAD COVER	B-03	FRONT FENDER.....	H-07	HEADLAMP HOUSING.....	H-08	REAR CUSHION LEVER.....	L-03	STAND.....	G-04		
CARBURETOR FITTING.....	C-08	CYLINDER HEAD.....	B-04	FRONT MASTER CYLIND	K-05	HEADLAMP.....	F-02	REAR FENDER.....	H-11	STARTER CLUTCH.....	B-12		
CARBURETOR.....	C-04	CYLINDER.....	B-06	FRONT WHEEL.....	K-02	LABEL.....	I-05	REAR MASTER CYLINDE	L-08	STARTING MOTOR.....	E-02		
CLUTCH MASTER CYLIN	K-07	ELECTRICAL.....	E-05	FUEL COCK.....	G-08	MANUAL BOX.....	H-05	REAR SWINGING ARM.....	L-02	STEERING STEM.....	J-08		
CLUTCH.....	D-02	FOOTREST.....	G-05	FUEL TANK.....	G-07	MUFFLER.....	C-08	REAR WHEEL.....	L-04	TAIL LAMP.....	F-06		

**FIG.30A**

Fig.30A ( F-8 ) WIRING HARNESS (GSF1200K1/K2)



Ref #	Part Number	Description	Qty	Remarks
1-1	36610-31F20	HARNESS, WIRING	1	MODEL K1
1-2	36610-31FC0	HARNESS, WIRING	1	MODEL K2
2-1	09481-10501	. FUSE (10A)	2	
2-2	09481-15501	. FUSE (15A)	3	
3	36619-31F20	GUIDE, WIRING HARNESS	1	
4	36853-31F00	WIRE, TPS LEAD	1	MODEL K1
5-1	09404-06432	CLAMP (L:80)	1	
5-2	09404-06434	CLAMP (L:95)	1	
5-3	09404-08207	CLAMP (L:97)	2	
6-1	09407-14403	CLAMP (L:125)	1	
6-2	09407-18402	CLAMP (L:165)	6	
6-3	09407-11402	CLAMP (L:75)	1	
7	09407-14407	CLAMP (L:145)	1	
8-1	37104-33850	LOCK SET	1	
8-2	37104-33890	LOCK SET	1	E33
9	37100-33E60	. LOCK ASSY, STEERING	1	
10	09139-08016	SCREW	2	
11	37740-24A00	SWITCH ASSY, STOP LAMP	1	
12	09443-06054	SPRING, STOP LAMP	1	
13	37840-44X50	SWITCH ASSY, SIDE STAND	1	
14	07120-06203	SCREW, SIDE STAND	2	
15	38500-20E00	HORN ASSY, LOW	2	
16	38501-27E00	HORN ASSY, HIGH	1	
17	01550-08123	BOLT, HORN	2	
18	36856-21E00	WIRE, CARB HEATER	1	OPT
19	37146-33E00	KEY, BLANK	1	OPT

GSF1200SK1 E03 E28\_030A  
WIRING HARNESS

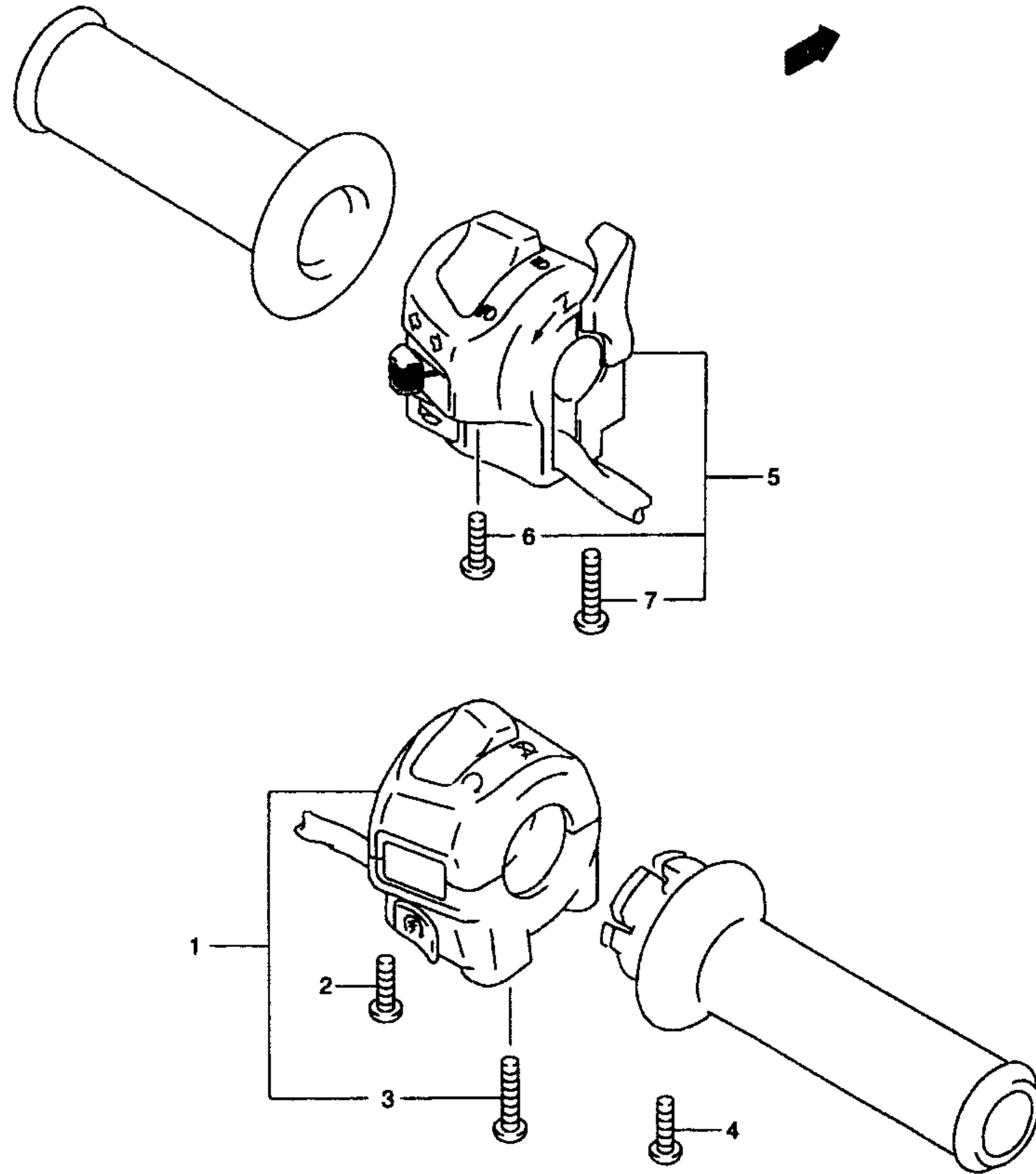
41 GSF1200, S K2 E3, E33

AIR CLEANER.....	C-07	COWLING BODY.....	I-02	FRAME COVER.....	H-03	GASKET SET.....	B-02	OIL COOLER.....	C-09	SEA / TAIL COVER.....	I-03	TRANSMISSION.....	D-04
ALTERNATOR.....	E-03	COWLING INSTALLATIO	I-04	FRAME.....	G-02	GEAR SHIFTING.....	D-08	OIL PAN.....	B-09	SEAT.....	J-02	TURN SIGL AL LAMP...	F-04
BATTERY.....	E-06	CRANKCASE COVER....	B-08	FRONT BRAKE HOSE...	K-04	HANDLE LEVER.....	H-10	OIL PUMP.....	B-10	SECOND AIR.....	C-10	WIRING HARNESS.....	F-07
CAM CHAIN.....	C-03	CRANKCASE.....	B-06	FRONT CALIPERS.....	K-03	HANDLE SWITCH.....	F-09	OPTIONAL.....	L-07	SIGNAL GENERATOR...	F-04		
CAM SHAFT / VALVE..	C-02	CRANKSHAFT.....	B-11	FRONT DAMPER.....	J-07	HANDLEBAR.....	H-09	REAR CALIPER.....	L-05	SPEEDOMETER.....	E-07		
CANISTER.....	H-02	CYLINDER HEAD COVER	B-03	FRONT FENDER.....	H-07	HEADLAMP HOUSING..	H-06	REAR CUSHION LEVER	L-03	STAND.....	G-04		
CARBURETOR FITTING	C-06	CYLINDER HEAD.....	B-04	FRONT MASTER CYLIND	K-05	HEADLAMP.....	F-02	REAR FENDER.....	H-11	STARTER CLUTCH.....	B-12		
CARBURETOR.....	C-04	CYLINDER.....	B-05	FRONT WHEEL.....	K-02	LABEL.....	L-05	REAR MASTER CYLIND	L-06	STARTING MOTOR.....	E-02		
CLUTCH MASTER CYLIN	K-07	ELECTRICAL.....	E-05	FUEL COCK.....	G-09	MANUAL BOX.....	H-05	REAR SWINGING ARM..	L-02	STEERING STEM.....	J-08		
CLUTCH.....	D-02	FOOTREST.....	G-05	FUEL TANK.....	G-07	MUFFLER.....	C-08	REAR WHEEL.....	L-04	TAIL LAMP.....	F-06		



**FIG.31**

Fig.31 ( F-9 ) HANDLE SWITCH



Ref #	Part Number	Description	Qty	Remarks
1	37200-27E31	SWITCH ASSY, HANDLE RH	1	
2	02112-05303	.SCREW	1	
3	02112-05503	.SCREW	1	
4	02112-051	SCREW, THROTTLE	1	
5-1	37400-24F30	SWITCH ASSY, HANDLE LH	1	GSF1200SK1/SK2
5-2	37400-31F30	SWITCH ASSY, HANDLE LH	1	GSF1200K1/K2
6	02112-05253	.SCREW	1	
7	02112-05453	.SCREW	1	

GSF1200SK1 E03 E28\_031  
HANDLE SWITCH

42 GSF1200, S K2 E3, E33

F9

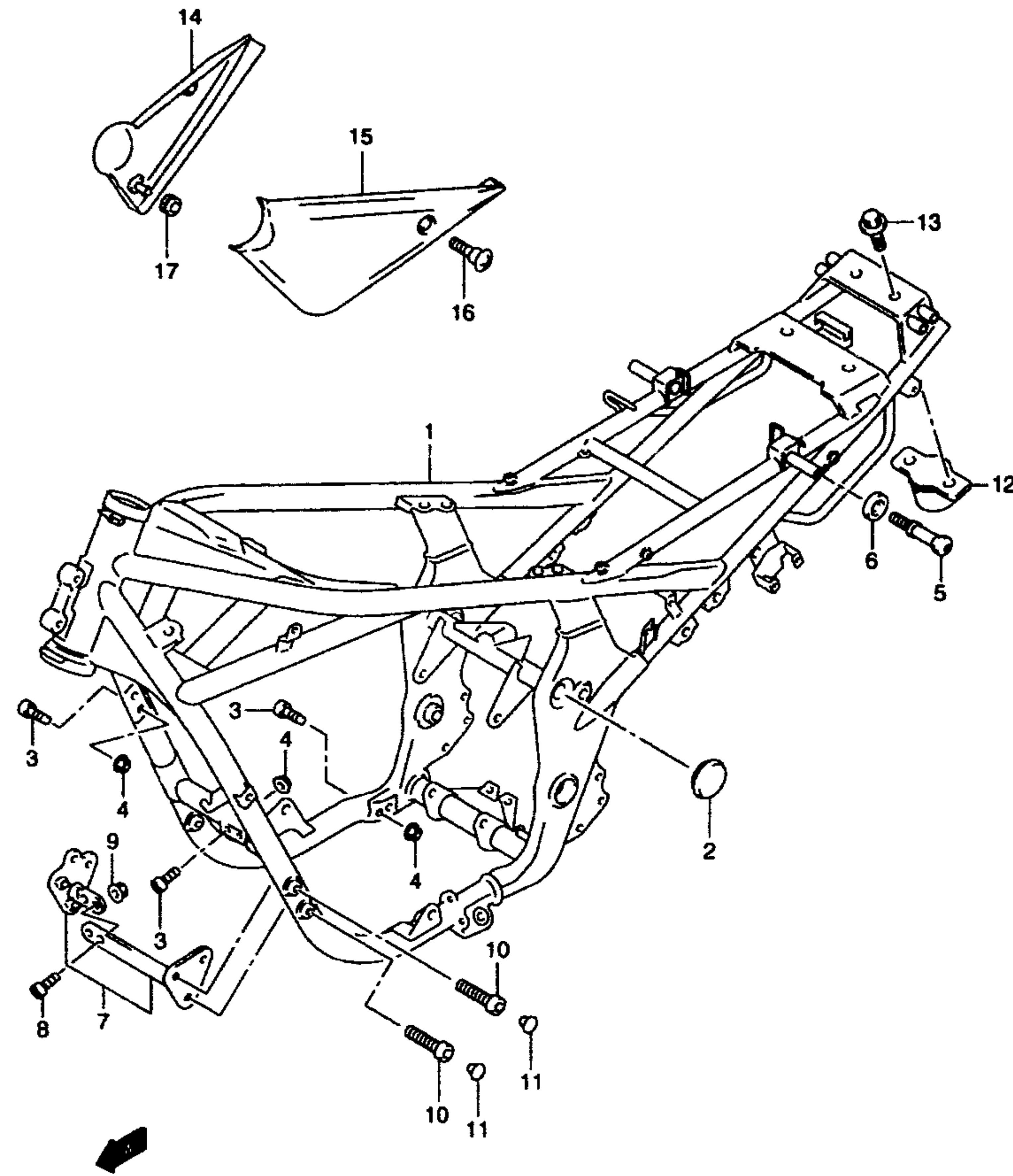
AIR CLEANER.....	C-07	COWLING BODY.....	I-02	FRAME COVER.....	H-03	GASKET SET.....	B-02	OIL COOLER.....	C-09	SEAT TAIL COVER...	J-03	TRANSMISSION.....	D-04
ALTERNATOR.....	E-03	COWLING INSTALLATIO	I-04	FRAME.....	G-02	GEAR SHIFTING.....	D-06	OIL PAN.....	B-08	SEAT.....	J-02	TURN SIGNAL LAMP...	F-04
BATTERY.....	E-06	CRANKCASE COVER...	B-08	FRONT BRAKE HOSE...	K-04	HANDLE LEVER.....	H-10	OIL PUMP.....	B-10	SECOND AIR.....	C-10	WIRING HARNESS...	F-07
CAM CHAIN.....	C-03	CRANKCASE.....	B-08	FRONT CALIPERS.....	K-03	HANDLE SWITCH.....	F-09	OPTIONAL.....	L-07	SIGNAL GENERATOR...	E-04		
CAM SHAFT / VALVE...	C-02	CRANKSHAFT.....	B-11	FRONT DAMPER.....	J-07	HANDLEBAR.....	H-09	REAR CALIPER.....	L-05	SPEEDOMETER.....	E-07		
CANISTER.....	H-02	CYLINDER HEAD COVER	B-03	FRONT FENDER.....	H-07	HEADLAMP HOUSING...	H-06	REAR CUSHION LEVER.	L-03	STAND.....	G-04		
CARBURETOR FITTING.	C-06	CYLINDER HEAD.....	B-04	FRONT MASTER CYLIND	K-05	HEADLAMP.....	F-02	REAR FENDER.....	H-11	STARTER CLUTCH.....	B-12		
CARBURETOR.....	C-04	CYLINDER.....	B-05	FRONT WHEEL.....	K-02	LABEL.....	I-05	REAR MASTER CYLINDE	L-08	STARTING MOTOR.....	E-02		
CLUTCH MASTER CYLIN	K-07	ELECTRICAL.....	E-05	FUEL COCK.....	G-08	MANUAL BOX.....	H-05	REAR SWINGING ARM.	L-02	STEERING STEM.....	J-08		
CLUTCH.....	D-02	FOOTREST.....	G-05	FUEL TANK.....	G-07	MUFFLER.....	C-08	REAR WHEEL.....	L-04	TAIL LAMP.....	F-08		





FIG.32

Fig.32 ( G-2 ) FRAME (MODEL K1)



Ref #	Part Number	Description	Qty	Remarks
1-1	41100-32F00-33J	FRAME (BLACK)	1	GSF1200SK1 E28 GSF1200K1 E3,E33 * SEE NOTE
1-2	41100-32F00-YC6	FRAME (RED)	1	
1-3	41100-32F00-YD8	FRAME (SILVER)	1	GSF1200SK1 E3,E33* SEE NOTE
2	43585-03F00	CAP, FRAME BODY	2	
3	09106-10068	BOLT (10X37)	6	
4	08319-31103	NUT	6	
5	46315-31F00	HOOK, SEAT RAIL	2	
6	46317-31F00	WASHER, HOOK	2	
7-1	41900-32F00-33J	PLATE, ENGINE MOUNT (BLACK)	1	GSF1200SK1 E28 GSF1200K1 E3,E33
7-2	41900-32F00-YC6	PLATE, ENGINE MOUNT (RED)	1	
7-3	41900-32F00-YD8	PLATE, ENGINE MOUNT (SILVER)	1	GSF1200SK1 E3,E33
8	07120-10303	.BOLT	2	
9	08319-31103	.NUT	2	
10	07130-08503	BOLT	4	
11	09250-08016	CAP	4	
12	42550-32F00	DAMPER, FRAME REAR	1	
13	01550-06123	BOLT	2	
14	47511-32F00-291	COVER, FRAME HEAD RH (BLACK)	1	GSF1200K1 E3,E33
15	47521-32F00-291	COVER, FRAME HEAD LH (BLACK)	1	GSF1200K1 E3,E33
16	09139-05021	SCREW	2	GSF1200K1 E3,E33
17	09320-08013	CUSHION	2	GSF1200K1 E3,E33

\*\* SPECIAL NOTE: ENGINE CASES AND FRAMES FOR THIS MODEL MUST BE ORDERED ON THE FRAME/ENGINE CASE ORDER FORM (99924-FC003). IF YOU HAVE ANY QUESTIONS REGARDING THESE PROCEDURES, PLEASE CALL YOUR PARTS COORDINATOR BEFORE PLACING YOUR ORDER.

GSF1200SK1 E03 E28\_032  
FRAME

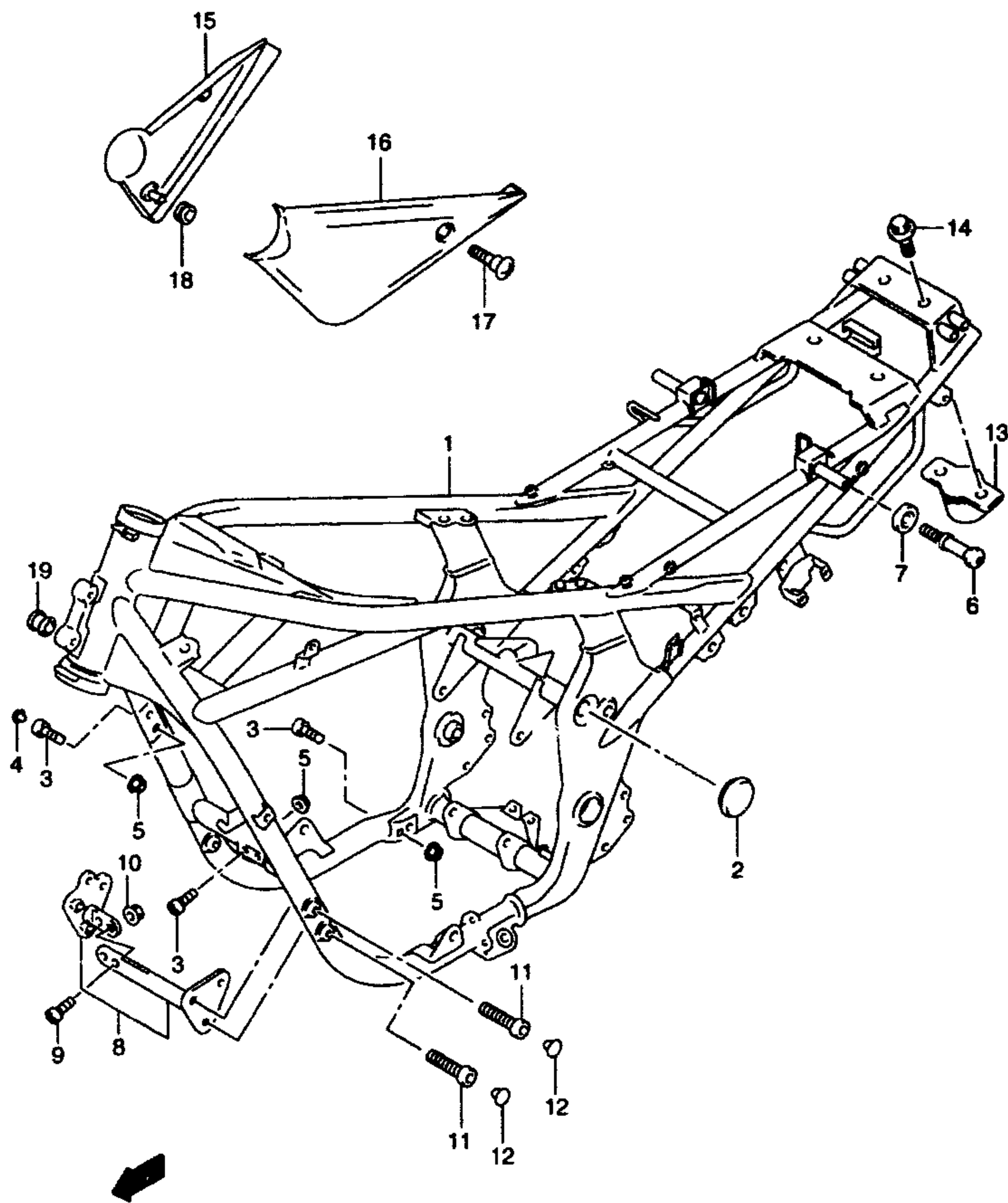
43 GSF1200, S K2 E3, E33

G2

AIR CLEANER.....	C-07	COWLING BODY.....	I-02	FRAME COVER.....	H-03	GASKET SET.....	B-02	OIL COOLER.....	C-09	SEAT TAIL COVER.....	J-03	TRANSMISSION.....	D-04
ALTERNATOR.....	E-03	COWLING INSTALLATIO	I-04	FRAME.....	G-02	GEAR SHIFTING.....	D-08	OIL PAN.....	B-09	SEAT.....	J-02	TURN SIGNAL LAMP...	F-04
BATTERY.....	E-06	CRANKCASE COVER.....	B-08	FRONT BRAKE HOSE...	K-04	HANDLE LEVER.....	H-10	OIL PUMP.....	K-04	SECOND AIR.....	C-10	WIRING HARNESS.....	F-07
CAM CHAIN.....	C-03	CRANKCASE.....	B-06	FRONT CALIPERS.....	K-03	HANDLE SWITCH.....	F-09	OPTIONAL.....	L-07	SIGNAL GENERATOR...	E-04		
CAM SHAFT / VALVE..	C-02	CRANKSHAFT.....	B-11	FRONT DAMPER.....	J-07	HANDLEBAR.....	H-09	REAR CALIPER.....	L-05	SPEEDOMETER.....	E-07		
CANISTER.....	H-02	CYLINDER HEAD COVER	B-03	FRONT FENDER.....	H-07	HEADLAMP HOUSING..	H-08	REAR CUSHION LEVER..	L-03	STAND.....	G-04		
CARBURETOR FITTING..	C-06	CYLINDER HEAD.....	B-04	FRONT MASTER CYLIND	K-05	HEADLAMP.....	F-02	REAR FENDER.....	H-11	STARTER CLUTCH.....	B-12		
CARBURETOR.....	C-04	CYLINDER.....	B-05	FRONT WHEEL.....	K-02	LABEL.....	I-05	REAR MASTER CYLIND	L-08	STARTING MOTOR.....	E-02		
CLUTCH MASTER CYLIN	K-07	ELECTRICAL.....	E-05	FUEL COCK.....	G-06	MANUAL BOX.....	H-05	REAR SWINGING ARM..	L-02	STEERING STEM.....	J-08		
CLUTCH.....	D-02	FOOTREST.....	G-05	FUEL TANK.....	G-07	MUFFLER.....	C-08	REAR WHEEL.....	L-04	TAIL LAMP.....	F-06		

FIG.32A

Fig.32A ( G-3 ) FRAME (MODEL K2)



Ref #	Part Number	Description	Qty	Remarks
1-1	41100-32F00-33J	FRAME (BLACK)	1	* SEE NOTE
1-2	41100-32F00-Y7H	FRAME (BLUE)	1	* SEE NOTE
1-3	41100-32F00-YD8	FRAME (SILVER)	1	* SEE NOTE
2	43585-03F00	CAP, FRAME BODY	2	
3	09106-10068	BOLT (10X37)	6	
4	09250-08012	CAP, RH	4	
5	08319-31103	NUT	6	
6	46315-31F00	HOOK, SEAT RAIL	2	
7	46317-31F00	WASHER, HOOK	2	
8-1	41900-47F00-33J	PLATE, ENGINE MOUNT (BLACK)	1	
8-2	41900-47F00-Y7H	PLATE, ENGINE MOUNT (BLUE)	1	
8-3	41900-47F00-YD8	PLATE, ENGINE MOUNT (SILVER)	1	
9	07120-10303	.BOLT	2	
10	08319-31103	.NUT	2	
11	07130-08503	BOLT	4	
12	09250-08016	CAP	4	
13	42550-32F00	DAMPER, FRAME REAR	1	
14	01550-06123	BOLT	2	
15	47511-32F00-291	COVER, FRAME HEAD RH (BLACK)	1	GSF1200K2 E3,E33
16	47521-32F00-291	COVER, FRAME HEAD LH (BLACK)	1	GSF1200K2 E3,E33
17	09139-05021	SCREW	2	GSF1200K2 E3,E33
18	09020-08013	CUSHION	2	GSF1200K2 E3,E33
19	94561-32F00	CUSHION	1	GSF1200K2 E3,E33

\*\* SPECIAL NOTE: ENGINE CASES AND FRAMES FOR THIS MODEL MUST BE ORDERED ON THE FRAME/ENGINE CASE ORDER FORM (99924-FC003). IF YOU HAVE ANY QUESTIONS REGARDING THESE PROCEDURES, PLEASE CALL YOUR PARTS COORDINATOR BEFORE PLACING YOUR ORDER.

GSF1200SK1 E03 E28\_032A  
FRAME

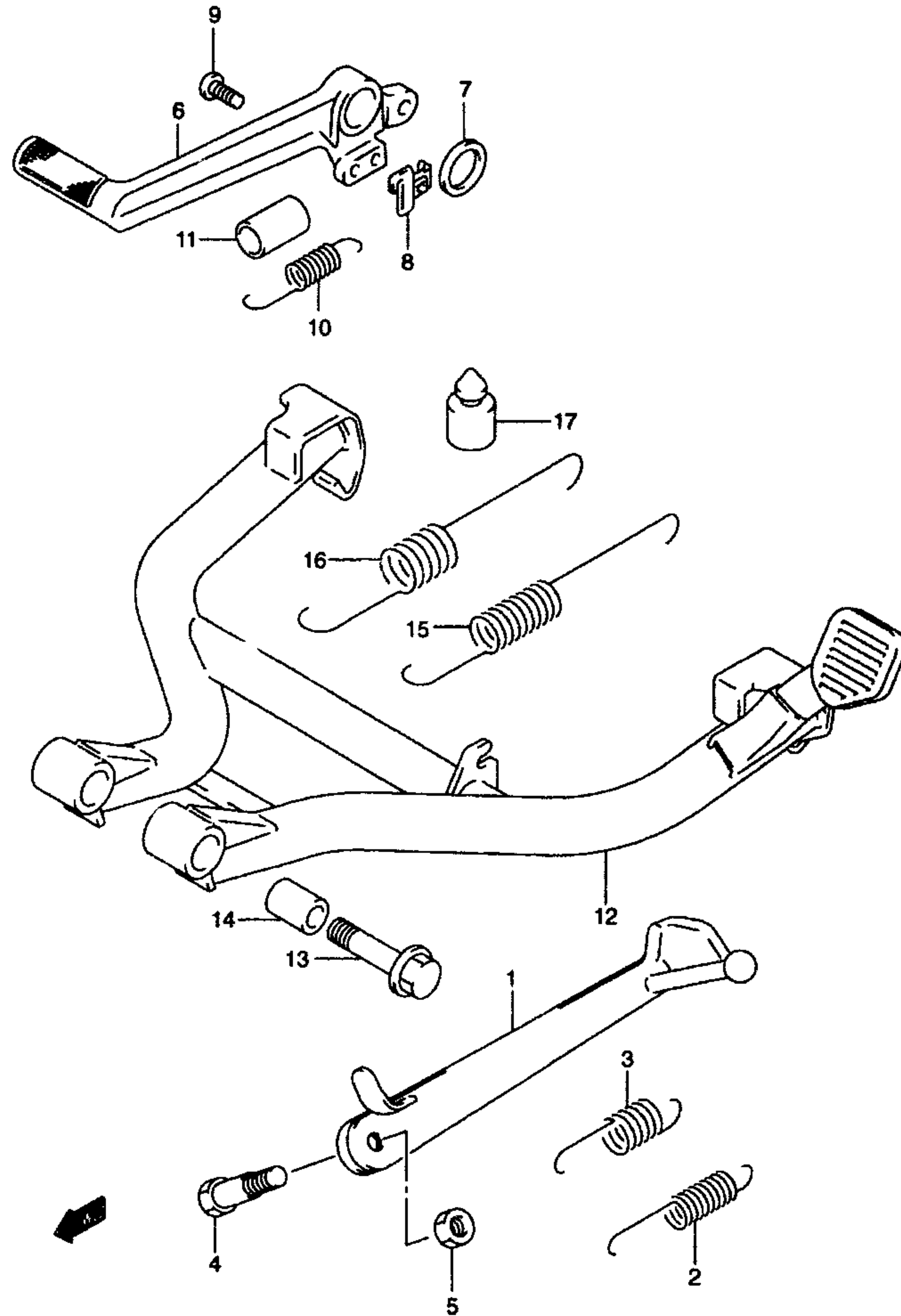
44 GSF1200, S K2 E3, E33

AIR CLEANER.....	C-07	COWLING BODY.....	I-02	FRAME COVER.....	H-03	GASKET SET.....	B-02	OIL COOLER.....	C-09	SEAT TAIL COVER.....	J-03	TRANSMISSION.....	D-04
ALTERNATOR.....	E-03	COWLING INSTALLATIO.....	I-04	FRAME.....	G-02	GEAR SHIFTING.....	D-08	OIL PAN.....	B-09	SEAT.....	J-02	TURN SIGNAL LAMP.....	F-04
BATTERY.....	E-08	CRANKCASE COVER.....	B-08	FRONT BRAKE HOSE.....	K-04	HANDLE LEVER.....	H-10	OIL PUMP.....	B-10	SECOND AIR.....	C-10	WIRING HARNESS.....	F-07
CAM CHAIN.....	C-03	CRANKCASE.....	B-06	FRONT CALIPERS.....	K-03	HANDLE SWITCH.....	F-09	OPTIONAL.....	L-07	SIGNAL GENERATOR.....	E-04		
CAM SHAFT / VALVE.....	C-02	CRANKSHAFT.....	B-11	FRONT DAMPER.....	J-07	HANDLEBAR.....	H-09	REAR CALIPER.....	L-05	SPEEDOMETER.....	E-07		
CANISTER.....	H-02	CRANKSHAFT HEAD COVER.....	B-03	FRONT FENDER.....	H-07	HEADLAMP HOUSING.....	H-06	REAR CUSHION LEVER.....	L-03	STAND.....	G-04		
CARBURETOR FITTING.....	C-06	CYLINDER HEAD.....	B-04	FRONT MASTER CYLIND.....	K-05	HEADLAMP.....	F-02	REAR FENDER.....	H-11	FRONT CLUTCH.....	B-12		
CARBURETOR.....	C-04	CYLINDER HEAD.....	B-04	FRONT WHEEL.....	K-02	LABEL.....	I-05	REAR MASTER CYLINDE.....	L-06	STARTING MOTOR.....	E-02		
CLUTCH MASTER CYLIN.....	K-07	ELECTRICAL.....	E-05	FUEL COCK.....	G-09	MANUAL BOX.....	H-05	REAR SWINGING ARM.....	L-02	STARTING RING STEM.....	J-08		
CLUTCH.....	D-02	FOOTREST.....	G-05	FUEL TANK.....	G-07	MUFFLER.....	C-08	REAR WHEEL.....	L-04	TAIL LAMP.....	F-06		



FIG.33

Fig.33 ( G-4 ) STAND



Ref #	Part Number	Description	Qty	Remarks
1	42310-32F00	STAND, PROP	1	
2	09443-12048	SPRING, INNER	1	
3	09443-19010	SPRING, OUTER	1	
4	09111-10058	BOLT	1	
5	42321-03FK0	NUT	1	
6	43111-31E01	PEDAL, BRAKE	1	
7	09160-18022	WASHER	1	
8	43560-32C00	BRACKET, STOP SWITCH	1	
9	02112-05163	SCREW	1	
10	09443-13029	SPRING	1	
11	43261-17C00	TUBE, SPRING GUIDE	1	
12	42100-31F00	STAND, CENTER	1	
13	09103-10126	BOLT	2	
14	09180-10113	SPACER	2	
15	09443-14059	SPRING, INNER	1	
16	09443-22013	SPRING, OUTER	1	
17	09321-10032	CUSHION	1	

GSF1200SK1 E03 E28\_033  
STAND

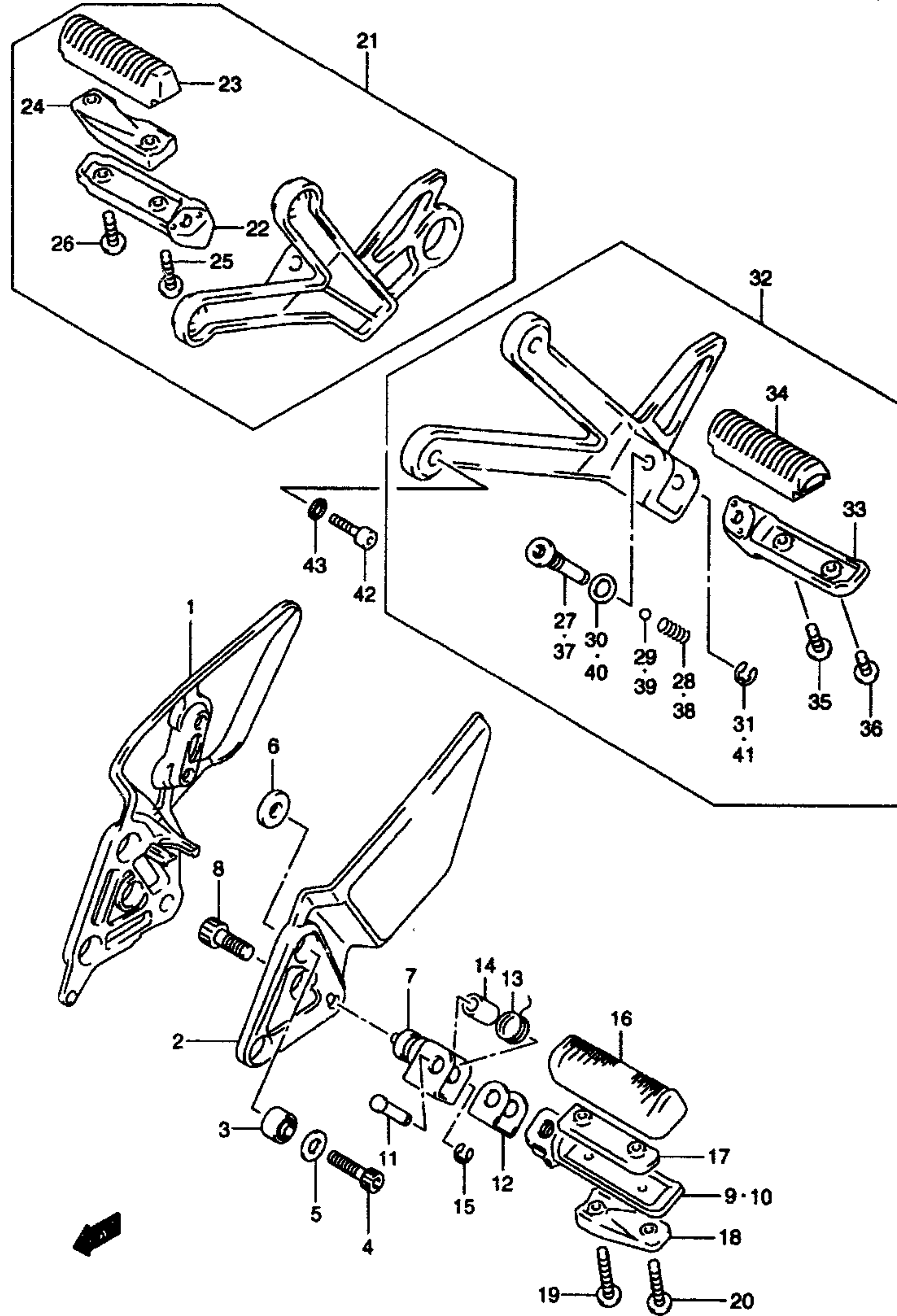
45 GSF1200, S K2 E3, E33

G4

AIR CLEANER.....	C-07	COWLING BODY.....	L-02	FRAME COVER.....	H-03	GASKET SET.....	B-02	OIL COOLER.....	C-09	SEAT TAIL COVER...	J-03	TRANSMISSION.....	D-04
ALTERNATOR.....	E-03	COWLING INSTALLATIO	L-04	FRAME.....	G-02	GEAR SHIFTING.....	D-08	OIL PAN.....	B-08	SEAT.....	J-02	TURN SIGNAL LAMP...	F-04
BATTERY.....	E-06	CRANKCASE COVER...	B-08	FRONT BRAKE HOSE...	K-04	HANDLE LEVER.....	H-10	OIL PUMP.....	B-10	SECOND AIR.....	C-10	WIRING HARNESS.....	F-07
CAM CHAIN.....	C-03	CRANKCASE.....	B-08	FRONT CALIPERS.....	K-03	HANDLE SWITCH.....	F-09	OPTIONAL.....	L-07	SIGNAL GENERATOR...	E-04		
CAM SHAFT / VALVE	C-02	CRANKSHAFT.....	B-11	FRONT DAMPER.....	J-07	HANDLEBAR.....	H-09	REAR CALIPER.....	L-05	SPEEDOMETER.....	E-07		
CANISTER.....	H-02	CYLINDER HEAD COVER	B-03	FRONT FENDER.....	H-07	HEADLAMP HOUSING...	H-06	REAR CUSHION LEVER	L-03	STAND.....	G-04		
CARBURETOR FITTING	C-06	CYLINDER HEAD.....	B-04	FRONT MASTER CYLIND	K-05	HEADLAMP.....	F-02	REAR FENDER.....	H-11	STARTER CLUTCH.....	B-12		
CARBURETOR.....	C-04	CYLINDER.....	B-05	FRONT WHEEL.....	K-02	LABEL.....	I-05	REAR MASTER CYLINDE	L-06	STARTING MOTOR.....	E-02		
CLUTCH MASTER CYLIN	K-07	ELECTRICAL.....	E-05	FUEL COCK.....	G-09	MANUAL BOX.....	H-05	REAR SWINGING ARM..	L-02	STEERING STEM.....	J-08		
CLUTCH.....	D-02	FOOTREST.....	G-05	FUEL TANK.....	G-07	MUFFLER.....	C-08	REAR WHEEL.....	L-04	TAIL LAMP.....	F-06		

**FIG.34**

Fig.34 ( G-5 ) FOOTREST



Ref #	Part Number	Description	Qty	Remarks
1	43511-26E02	BRACKET, FOOTREST RH	1	
2	43521-26E01	BRACKET, FOOTREST LH	1	
3	09319-08045	BUSH	6	
4	09106-08147	BOLT (8X30)	6	
5	09161-13005	WASHER, OUTER	6	
6	09161-17002	WASHER, INNER	6	
7	43530-27E00	HOLDER, FOOTREST	2	
8	09106-10064	BOLT	2	
9	43511-40C00	BAR, FOOTREST RH	1	
10	43521-40C00	BAR, FOOTREST LH	1	
11	09208-08010	PIN	2	
12	43570-46E20	CUSHION, FRONT FOOTREST	2	
13	09448-18022	SPRING	2	
14	09180-08149	SPACER (8.1X12X22)	2	
15	08332-11063	E RING	2	
16	43550-31F00	RUBBER, FOOTREST	2	
17	43534-46E10	BALANCER, FOOTREST UPPER	2	
18	43536-31E20	BALANCER, FOOTREST LOWER	2	
19	02142-05403	SCREW, INNER	2	
20	02142-05353	SCREW, OUTER	2	
21	43600-32F00	FOOTREST ASSY, PILLION RH	1	
22	43610-40C00	.BAR, PILLION FOOTREST RH	1	
23	43550-40C11	.RUBBER, FOOTREST	1	
24	43536-32F00	.BALANCER, PILLION LOWER	1	
25	02142-05303	.SCREW, INNER	1	
26	02142-05253	.SCREW, OUTER	1	
27	43642-40C00	.BOLT, PILLION FOOTREST	1	
28	09440-05003	.SPRING	1	
29	06111-07004	.BALL	1	
30	09160-10126	.WASHER (10.5X24X1.6)	1	
31	03332-11063	.E RING	1	

GSF1200SK1 E03 E28\_034  
FOOTREST

46 GSF1200, S K2 E3, E33

AIR CLEANER.....	C-07	COWLING BODY.....	I-02	FRAME COVER.....	H-03	GASKET SET.....	B-02	OIL COOLER.....	C-09	SEAT TAIL COVER.....	J-03	TRANSMISSION.....	D-04
ALTERNATOR.....	E-03	COWLING INSTALLATIO	I-04	FRAME.....	G-02	GEAR SHIFTING.....	D-06	OIL PAN.....	B-09	SEAT.....	J-02	TURN SIGNAL LAMP...	F-04
BATTERY.....	E-06	CRANKCASE COVER...	B-08	FRONT BRAKE HOSE...	K-04	HANDLE LEVER.....	H-10	OIL PUMP.....	B-10	SECOND AIR.....	C-10	WIRING HARNESS.....	F-07
CAM CHAIN.....	C-03	CRANKCASE.....	B-08	FRONT CALIPERS.....	K-03	HANDLE SWITCH.....	F-09	OPTIONAL.....	L-07	SIGNAL GENERATOR...	E-04		
CAM SHAFT / VALVE..	C-02	CRANKSHAFT.....	B-11	FRONT DAMPER.....	J-07	HANDLEBAR.....	H-09	REAR CALIPER.....	L-05	SPEEDOMETER.....	E-07		
CANISTER.....	H-02	CYLINDER HEAD COVER	B-03	FRONT FENDER.....	H-07	HEADLAMP HOUSING...	H-06	REAR CUSHION LEVER.	L-03	STAND.....	G-04		
CARBURETOR FITTING.	C-08	CYLINDER HEAD.....	B-04	FRONT MASTER CYLIND	K-05	HEADLAMP.....	F-02	REAR FENDER.....	H-11	STARTER CLUTCH.....	B-12		
CARBURETOR.....	C-04	CYLINDER.....	B-05	FRONT WHEEL.....	K-02	LABEL.....	I-05	REAR MASTER CYLINDE	L-08	STARTING MOTOR.....	E-02		
CLUTCH MASTER CYLIN	K-07	ELECTRICAL.....	E-05	FUEL COCK.....	G-09	MANUAL BOX.....	H-05	REAR SWINGING ARM..	L-02	STEERING STEM.....	J-08		
CLUTCH.....	D-02	FOOTREST.....	G-05	FUEL TANK.....	G-07	MUFFLER.....	C-08	REAR WHEEL.....	L-04	TAIL LAMP.....	F-08		



FIG.34

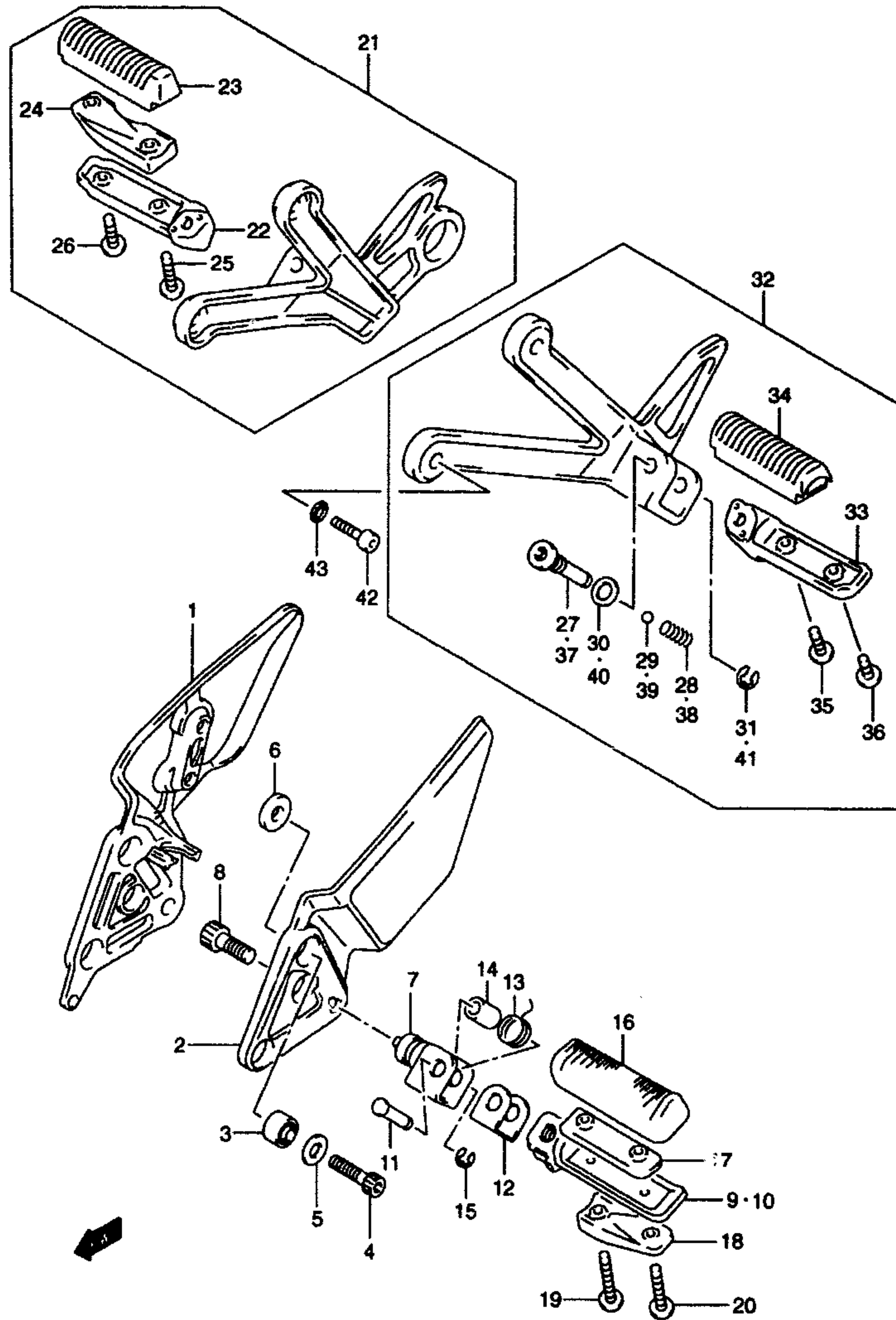


Fig.34 ( G-6 ) FOOTREST

Ref #	Part Number	Description	Qty	Remarks
32	43700-32F00	FOOTREST ASSY, PILLION LH	1	
33	43620-40C00	.BAR, PILLION FOOTREST LH	1	
34	43550-40C11	.RUBBER, FOOTREST	1	
35	02142-05203	.SCREW, INNER	1	
36	02142-05163	.SCREW, OUTER	1	
37	43642-40C00	.BOLT, PILLION FOOTREST	1	
38	09440-05003	.SPRING	1	
39	06111-07004	.BALL	1	
40	09160-10126	.WASHER (10.5X24X1.6)	1	
41	08332-11063	.E RING	1	
42	09106-08097	BOLT (8X25)	4	
43	09164-08015	WASHER	4	

GSF1200SK1 E03 E28\_034  
FOOTREST

47 GSF1200, S K2 E3, E33

AIR CLEANER.....	C-07	COWLING BODY.....	I-02	FRAME COVER.....	H-03	GASKET SET.....	B-02	OIL COOLER.....	C-09	SEAT TAIL COVER.....	J-03	TRANSMISSION.....	D-04
ALTERNATOR.....	E-03	COWLING INSTALLATIO	I-04	FRAME.....	G-02	GEAR SHIFTING.....	D-06	OIL PAN.....	B-09	SEAT.....	J-02	TURN SIGNAL LAMP...	F-04
BATTERY.....	E-06	CRANKCASE COVER...	B-08	FRONT BRAKE HOSE...	K-04	HANDLE LEVER.....	H-10	OIL PUMP.....	B-10	SECOND AIR.....	C-10	WIRING HARNESS.....	F-07
CAM CHAIN.....	C-03	CRANKCASE.....	B-08	FRONT CALIPERS.....	K-03	HANDLE SWITCH.....	F-09	OPTIONAL.....	L-07	SIGNAL GENERATOR...	E-04		
CAM SHAFT / VALVE..	C-02	CRANKSHAFT.....	B-11	FRONT DAMPER.....	J-07	HANDLEBAR.....	H-09	REAR CALIPER.....	L-05	SPEEDOMETER.....	E-07		
CANISTER.....	H-02	CYLINDER HEAD COVER	B-03	FRONT FENDER.....	H-07	HEADLAMP HOUSING...	H-06	REAR CUSHION LEVER	L-03	STAND.....	G-04		
CARBURETOR FITTING	C-06	CYLINDER HEAD.....	B-04	FRONT MASTER CYLIND	K-05	HEADLAMP.....	F-02	REAR FENDER.....	H-11	STARTER CLUTCH.....	B-12		
CARBURETOR.....	C-04	ELECTRICAL.....	E-05	FRONT WHEEL.....	K-02	LABEL.....	I-05	REAR MASTER CYLINDE	L-06	STARTING MOTOR.....	E-02		
CLUTCH MASTER CYLIN	K-07	FOOTREST.....	G-05	FUEL COCK.....	G-08	MANUAL BOX.....	H-05	REAR SWINGING ARM..	L-02	STEERING STEM.....	J-08		
CLUTCH.....	D-02			FUEL TANK.....	G-07	MUFFLER.....	C-08	REAR WHEEL.....	L-04	TAIL LAMP.....	F-06		

FIG.35

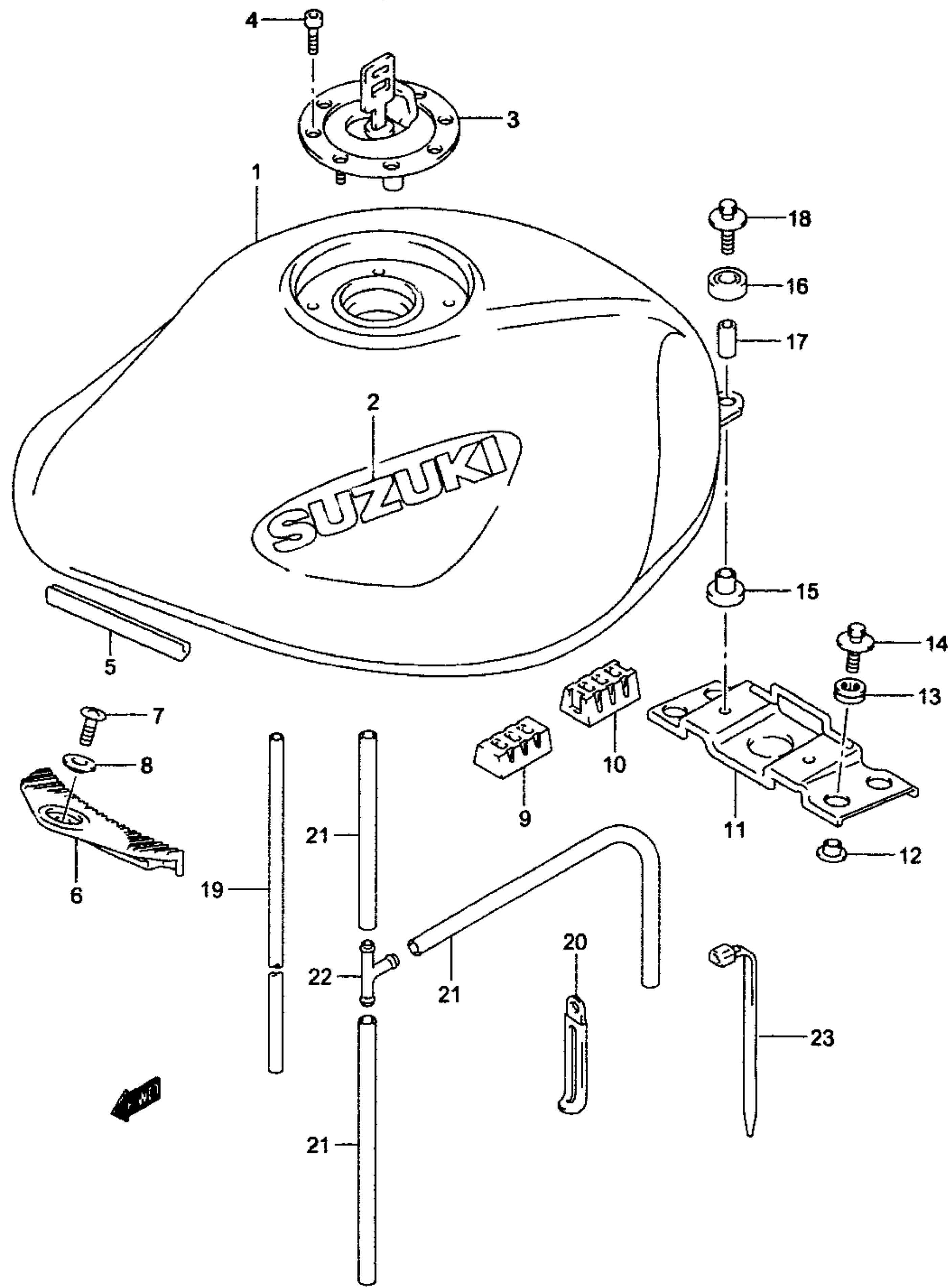


Fig.35 ( G-7 ) FUEL TANK (MODEL K1)

Ref #	Part Number	Description	Qty	Remarks
1-1	44100-31F30-33J	TANK ASSY, FUEL (BLACK)	1	GSF1200SK1 E28 GSF1200K1 E3
1-2	44100-31F30-YC6	TANK ASSY, FUEL (RED)	1	E3, E28
1-3	44100-31F30-YD8	TANK ASSY, FUEL (SILVER)	1	GSF1200SK1 E3
1-4	44100-31F40-33J	TANK ASSY, FUEL (BLACK)	1	GSF1200K1 E33
1-5	44100-31F40-YC6	TANK ASSY, FUEL (RED)	1	E33
1-6	44100-31F40-YD8	TANK ASSY, FUEL (SILVER)	1	GSF1200SK1 E33
2-1	68271-04A10-0AT	.EMBLEM, FUEL TANK (CHROME)	2	FOR 33J, YC6
2-2	68271-04A10-YN7	.EMBLEM, FUEL TANK (BLACK)	2	FOR YD8
3-1	44201-33810	CAP SET, FUEL TANK	1	E3, E28
3-2	44200-33830	CAP SET, FUEL TANK	1	E33
4	09106-05017	BOLT (L:20)	4	
5	68241-04X50-00B	MOLDING	1	
6	44511-27E00	CUSHION, FUEL TANK FRONT	1	
7	02142-05103	SCREW, FRONT	1	
8	09169-05012	WASHER	1	
9	45149-45330	CUSHION, SIDE	2	
10	44541-31F00	CUSHION, FUEL TANK SIDE	2	
11	44550-31F01	BRACKET, REAR	1	
12	09169-06062	WASHER, LOWER	4	
13	09320-09009	CUSHION, BRACKET	4	
14	09116-06146	BOLT, BRACKET	4	
15	09320-10038	CUSHION, LOWER	2	
16	44512-42E00	CUSHION, UPPER	2	
17	09180-06271	SPACER (6.5X9X18)	2	
18	09116-06172	BOLT (6X30)	2	
19	09352-70113-00B	HOSE (L:2000->680)	1	
20	09404-10417	CLAMP	1	
21-1	09352-50823-600	HOSE, NO.1 (L:600->200)	1	
21-2	09352-50823-600	HOSE, NO.2 (L:600->300)	1	
21-3	09352-50823-600	HOSE, NO.3 (L:600->480)	1	
22	09367-06002	3 WAY	1	
23	09407-14403	CLAMP	1	

GSF1200SK1 E03 E28\_035  
FUEL TANK

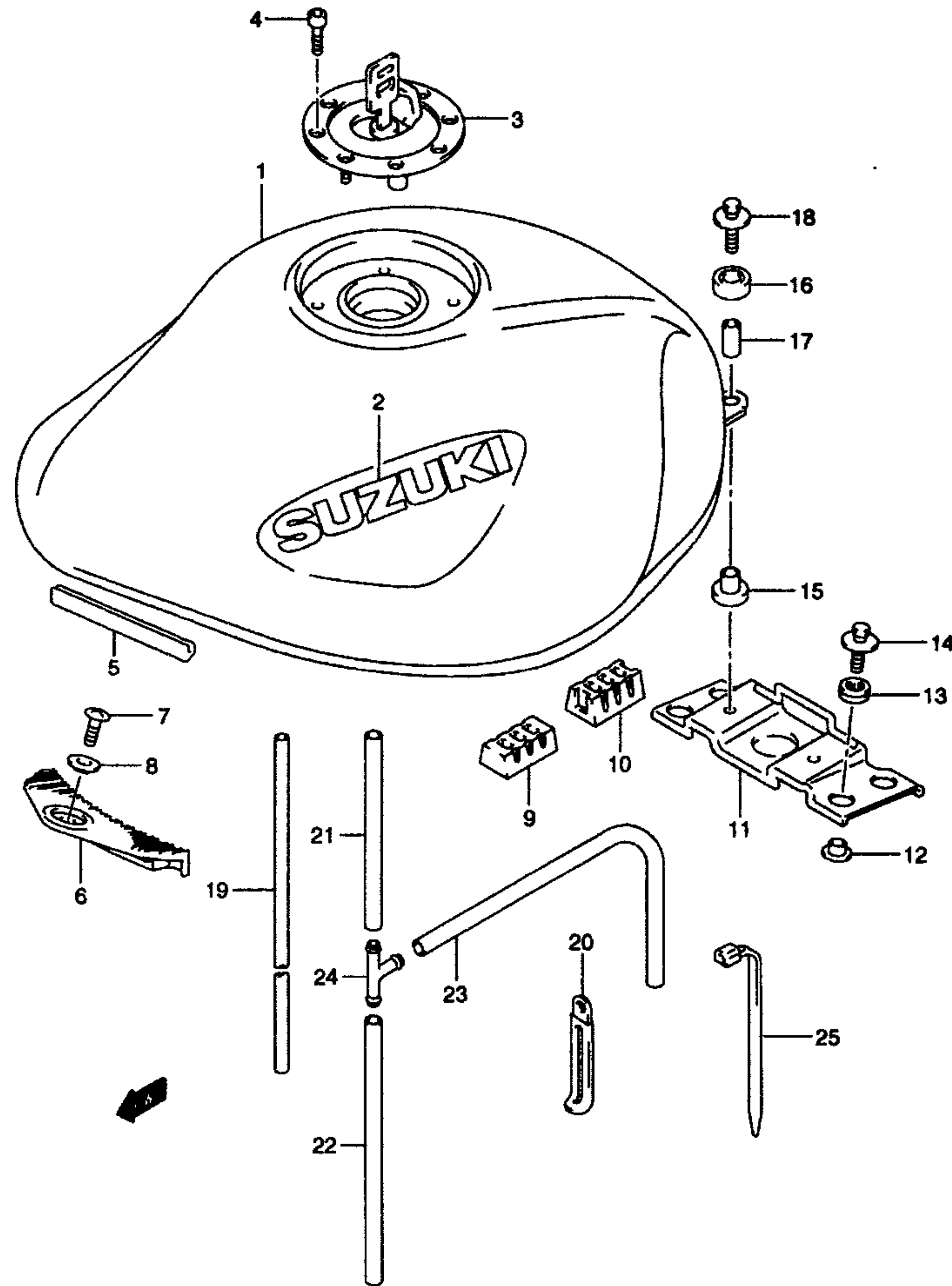
48 GSF1200, S K2 E3, E33

AIR CLEANER.....	C-07	COWLING BODY.....	I-02	FRAME COVER.....	H-03	GASKET SET.....	B-02	OIL COOLER.....	C-09	SEAT TAIL COVER.....	J-03	TRANSMISSION.....	D-04
ALTERNATOR.....	E-03	COWLING INSTALLATIO	I-04	FRAME.....	G-02	GEAR SHIFTING.....	D-08	OIL PAN.....	B-09	SEAT.....	J-02	TURN SIGNAL LAMP...	F-04
BATTERY.....	E-06	CRANKCASE COVER.....	B-08	FRONT BRAKE HOSE...	K-04	HANDLE LEVER.....	H-10	OIL PUMP.....	B-10	SECOND AIR.....	C-10	WIRING HARNESS.....	F-07
CAM CHAIN.....	C-03	CRANKCASE.....	B-06	FRONT CALIPERS.....	K-03	HANDLE SWITCH.....	F-09	OPTIONAL.....	L-07	SIGNAL GENERATOR...	E-04		
CAM SHAFT / VALVE..	C-02	CRANKSHAFT.....	B-11	FRONT DAMPER.....	J-07	HANDLEBAR.....	H-09	REAR CALIPER.....	L-06	SPEEDOMETER.....	E-07		
CANISTER.....	H-02	CYLINDER HEAD COVER	B-03	FRONT FENDER.....	H-07	HEADLAMP HOUSING..	H-06	REAR CUSHION LEVER..	L-03	STAND.....	G-04		
CARBURETOR FITTING..	C-06	CYLINDER HEAD.....	B-04	FRONT MASTER CYLIND	K-05	HEADLAMP.....	F-02	REAR FENDER.....	H-11	STARTER CLUTCH.....	B-12		
CARBURETOR.....	C-04	CYLINDER.....	B-05	FRONT WHEEL.....	K-02	LABEL.....	I-05	REAR MASTER CYLIND	L-06	STARTING MOTOR.....	E-02		
CLUTCH MASTER CYLIN	K-07	ELECTRICAL.....	E-05	FUEL COCK.....	G-09	MANUAL BOX.....	H-05	REAR SWINGING ARM..	L-02	STEERING STEM.....	J-08		
CLUTCH.....	D-02	FOOTREST.....	G-06	FUEL TANK.....	G-07	MUFFLER.....	C-08	REAR WHEEL.....	L-04	TAIL LAMP.....	F-06		



FIG.35A

Fig.35A ( G-8 ) FUEL TANK (MODEL K2)



Ref #	Part Number	Description	Qty	Remarks
1-1	44100-31F10-33J	TANK ASSY, FUEL (BLACK)	1	E3,E28
1-2	44100-31F10-Y7H	TANK ASSY, FUEL (BLUE)	1	E3,E28
1-3	44100-31F10-YD8	TANK ASSY, FUEL (SILVER)	1	E3,E28
1-4	44100-31F50-33J	TANK ASSY, FUEL (BLACK)	1	E33
1-5	44100-31F50-Y7H	TANK ASSY, FUEL (BLUE)	1	E33
1-6	44100-31F50-YD8	TANK ASSY, FUEL (SILVER)	1	E33
2-1	68271-04AA0-0AT	EMBLEM, FUEL TANK (CHROME)	2	FOR 33J,Y7H
2-2	68271-04AA0-YN7	EMBLEM, FUEL TANK (BLACK)	2	FOR YD8
3-1	44201-33810	CAP SET, FUEL TANK	1	E3,E28
3-2	44200-33830	CAP SET, FUEL TANK	1	E33
4	09106-05017	BOLT (L:20)	4	
5	68241-04X50-00B	MOLDING	1	
6	44511-27E00	CUSHION, FUEL TANK FRONT	1	
7	02142-05103	SCREW, FRONT	1	
8	09169-05012	WASHER	1	
9	45149-45330	CUSHION, SIDE	2	
10	44541-31F00	CUSHION, FUEL TANK SIDE	2	
11	44550-31F01	BRACKET, REAR	1	
12	09169-06062	WASHER, LOWER	4	
13	09320-09009	CUSHION, BRACKET	4	
14	09116-06146	BOLT, BRACKET	4	
15	09320-10038	CUSHION, LOWER	2	
16	44512-42E00	CUSHION, UPPER	2	
17	09180-06271	SPACER (6.5X9X18)	2	
18	09116-06172	BOLT (6X30)	2	
19	09352-70113-00B	HOSE (L:2000->680)	1	
20	09404-10417	CLAMP	1	
21	09352-50823-600	HOSE, NO.1 (L:600->200)	1	
22	09352-50823-600	HOSE, NO.3 (L:600->300)	1	
23	09352-50823-600	HOSE, NO.2 (L:600->480)	1	
24	09367-06002	3 WAY	1	
25	09407-14403	CLAMP	1	

GSF1200SK1 E03 E28\_035A  
FUEL TANK

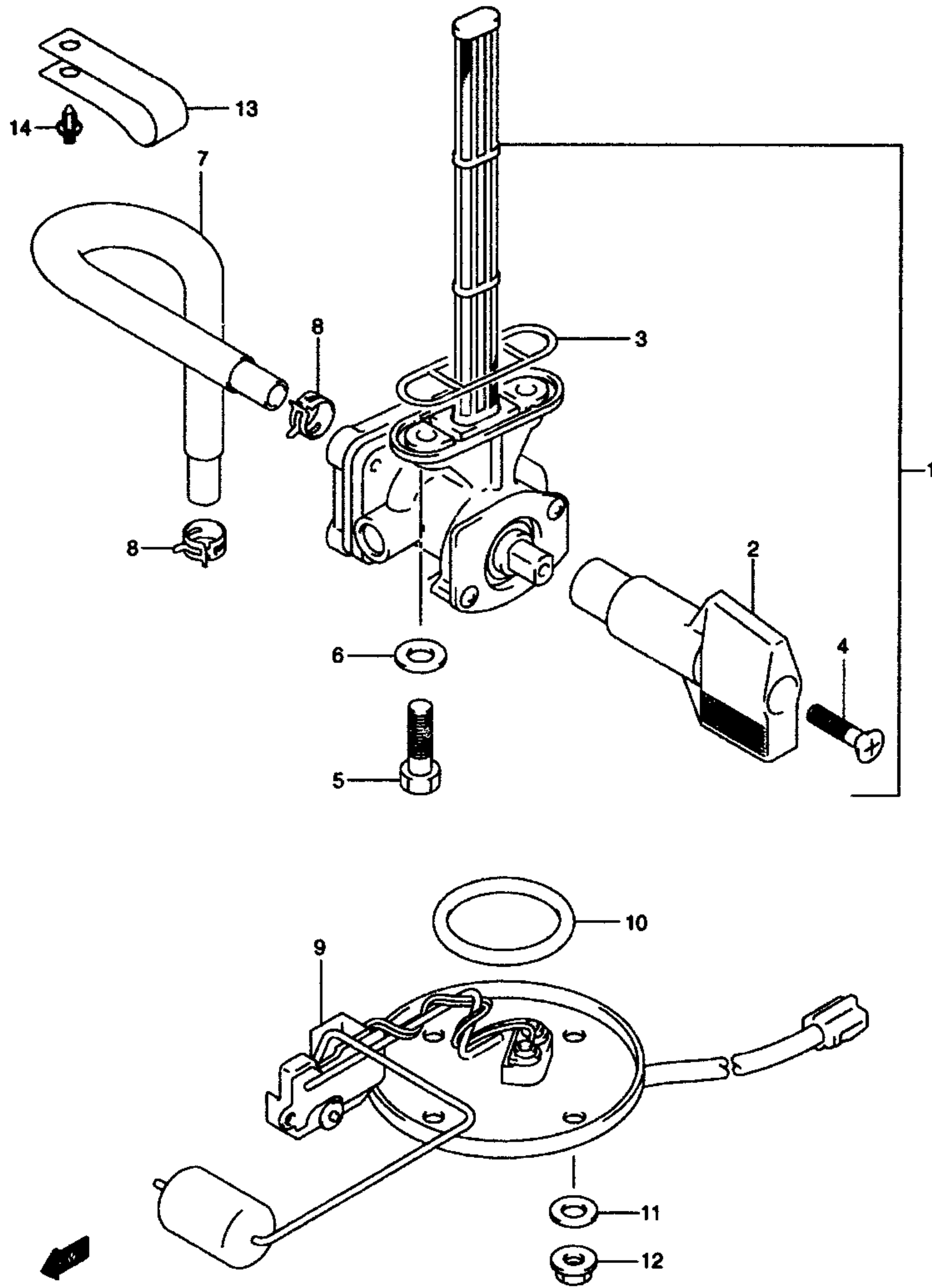
49 GSF1200, S K2 E3, E33

G 8

AIR CLEANER.....	C-07	COWLING BODY.....	I-02	FRAME COVER.....	H-03	GASKET SET.....	B-02	OIL COOLER.....	C-09	SEAT TAIL COVER...	J-03	TRANSMISSION.....	D-04
ALTERNATOR.....	E-03	COWLING INSTALLATIO	I-04	FRAME.....	G-02	GEAR SHIFTING.....	D-08	OIL PAN.....	B-09	SEAT.....	J-02	TURN SIGNAL LAMP...	F-04
BATTERY.....	E-06	CRANKCASE COVER...	B-08	FRONT BRAKE HOSE...	K-04	HANDLE LEVER.....	H-10	OIL PUMP.....	B-10	SECOND AIR.....	C-10	WIRING HARNESS...	F-07
CAM CHAIN.....	C-03	CRANKCASE.....	B-06	FRONT CALIPERS.....	K-03	HANDLE SWITCH.....	F-08	OPTIONAL.....	L-07	SIGNAL GENERATOR...	E-04		
CAM SHAFT / VALVE..	C-02	CRANKSHAFT.....	B-11	FRONT DAMPER.....	J-07	HANDLEBAR.....	H-09	REAR CALIPER.....	L-05	SPEEDOMETER.....	E-07		
CANISTER.....	H-02	CYLINDER HEAD COVER	B-03	FRONT FENDER.....	H-07	HEADLAMP HOUSING..	H-06	REAR CUSHION LEVER..	L-03	STAND.....	G-04		
CARBURETOR FITTING..	C-06	CYLINDER HEAD.....	B-04	FRONT MASTER CYLIND	K-05	HEADLAMP.....	F-02	REAR FENDER.....	H-11	STARTER CLUTCH....	B-12		
CARBURETOR.....	C-04	CYLINDER.....	B-05	FRONT WHEEL.....	K-02	LABEL.....	I-05	REAR MASTER CYLINDE	L-08	STARTING MOTOR....	E-02		
CLUTCH MASTER CYLIN	K-07	ELECTRICAL.....	E-05	FUEL COCK.....	G-08	MANUAL BOX.....	H-05	REAR SWINGING ARM..	L-02	STEERING STEM.....	J-08		
CLUTCH.....	D-02	FOOTREST.....	G-05	FUEL TANK.....	G-07	MUFFLER.....	C-08	REAR WHEEL.....	L-04	TAIL LAMP.....	F-06		

FIG.36

Fig.36 ( G-9 ) FUEL COCK



Ref #	Part Number	Description	Qty	Remarks
1	44300-32F00	COCK ASSY, FUEL	1	
2	44306-26E00	.LEVER, FUEL COCK	1	
3	44348-87420	.GASKET, JOINT	1	
4	02122-04203	.SCREW	1	
5-1	34826-03F00	BOLT, FUEL	2	MODEL K1
5-2	09128-06086	BOLT, FUEL COCK	2	MODEL K2
6	09168-06026	GASKET (6.4X11.5X0.8)	2	
7	44430-32F00	HOSE, FUEL	1	
8	09401-13417	CLIP	2	
9	34810-31F00	GAUGE ASSY, FUEL LEVEL	1	
10	34825-31F00	O RING	1	
11	09160-06128	WASHER (6.5X15X1.6)	4	
12	08319-21063	NUT	4	
13	44462-32F00	CLAMP, FUEL HOSE	1	
14	09409-08308-5E8	CLIP (BLACK)	1	

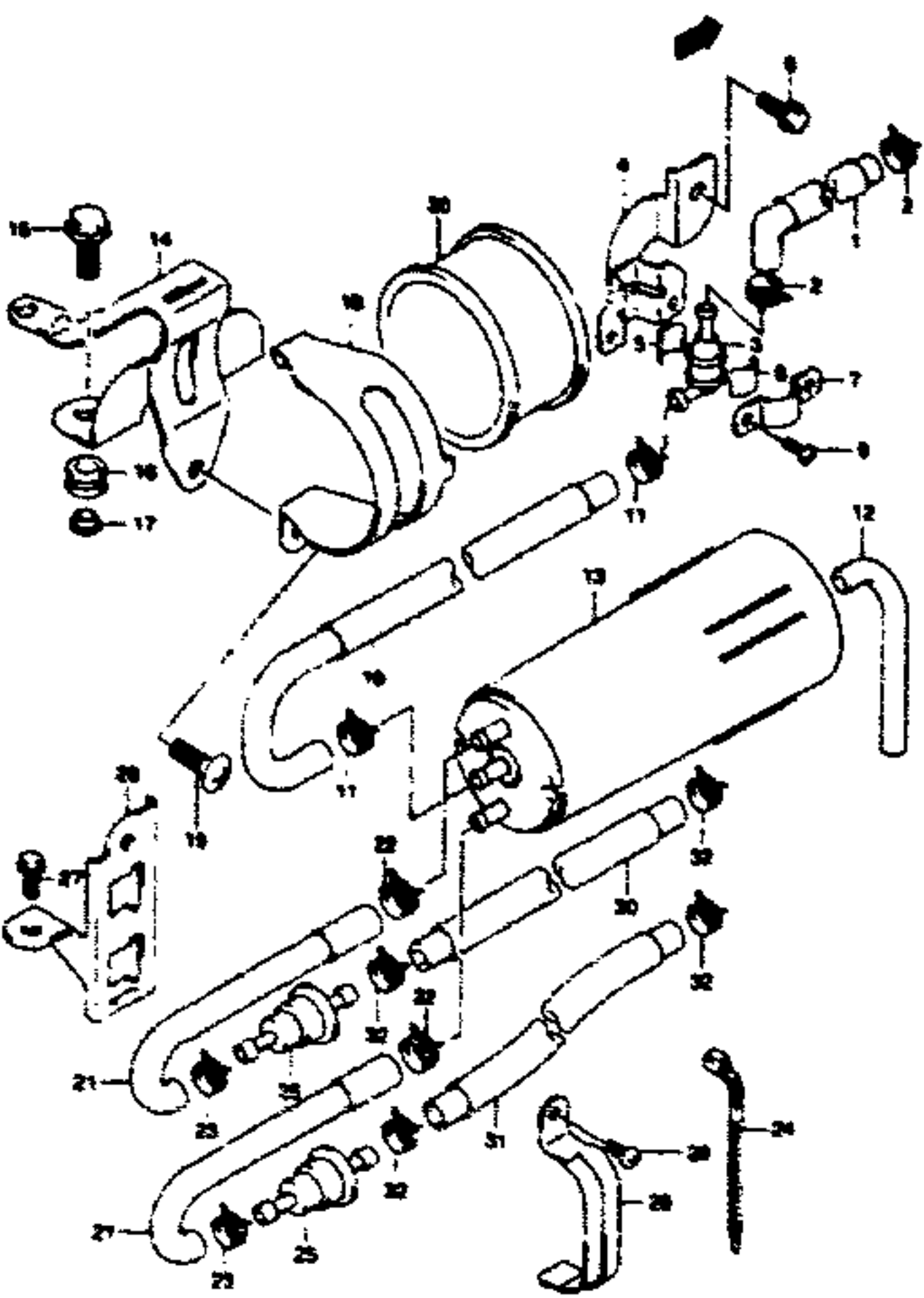
GSF1200SK1 E03 E28\_036  
FUEL COCK

50 GSF1200, S K2 E3, E33

AIR CLEANER.....	C-07	COWLING BODY.....	I-02	FRAME COVER.....	H-03	GASKET SET.....	B-02	OIL COOLER.....	C-08	SEAT TAIL COVER....	J-03	TRANSMISSION.....	D-04
ALTERNATOR.....	E-03	COWLING INSTALLATIO	I-04	FRAME.....	G-02	GEAR SHIFTING.....	D-06	OIL PAN.....	B-09	SEAT.....	J-02	TURN SIGNAL LAMP...	F-04
BATTERY.....	E-06	CRANKCASE COVER....	B-08	FRONT BRAKE HOSE...	K-04	HANDLE LEVER.....	H-10	OIL PUMP.....	B-10	SECOND AIR.....	C-10	WIRING HARNESS....	F-07
CAM CHAIN.....	C-03	CRANKCASE.....	B-08	FRONT CALIPERS....	K-03	HANDLE SWITCH.....	F-09	OPTIONAL.....	L-07	SIGNAL GENERATOR...	E-04		
CAM SHAFT / VALVE..	C-02	CRANKSHAFT.....	B-11	FRONT DAMPER.....	J-07	HANDLEBAR.....	H-09	REAR CALIPER.....	L-05	SPEEDOMETER.....	E-07		
CANISTER.....	H-02	CYLINDER HEAD COVER	B-03	FRONT FENDER.....	H-07	HEADLAMP HOUSING..	H-06	REAR CUSHION LEVER.	L-03	STAND.....	G-04		
CARBURETOR FITTING.	C-06	CYLINDER HEAD.....	B-04	FRONT MASTER CYLIND	K-05	HEADLAMP.....	F-02	REAR FENDER.....	H-11	STARTER CLUTCH....	B-12		
CARBURETOR.....	C-04	CYLINDER.....	B-05	FRONT WHEEL.....	K-02	LABEL.....	I-05	REAR MASTER CYLIND	L-06	STARTING MOTOR....	E-02		
CLUTCH MASTER CYLIN	K-07	ELECTRICAL.....	E-05	FUEL COCK.....	G-09	MANUAL BOX.....	H-05	REAR SWINGING ARM..	L-02	STEERING STEM....	J-08		
CLUTCH.....	D-02	FOOTREST.....	G-05	FUEL TANK.....	G-07	MUFFLER.....	C-08	REAR WHEEL.....	L-04	TAIL LAMP.....	F-06		

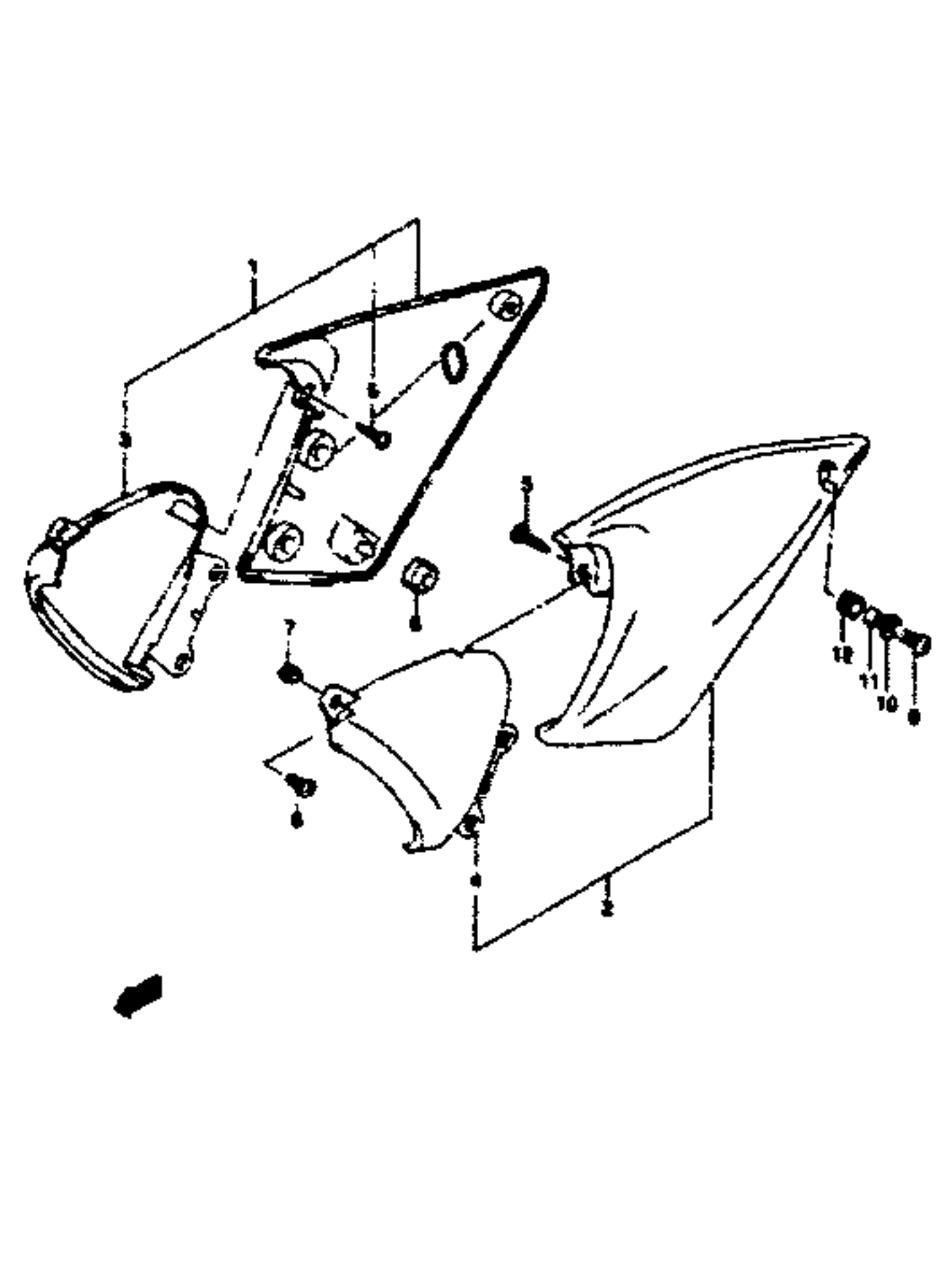


FIG.37



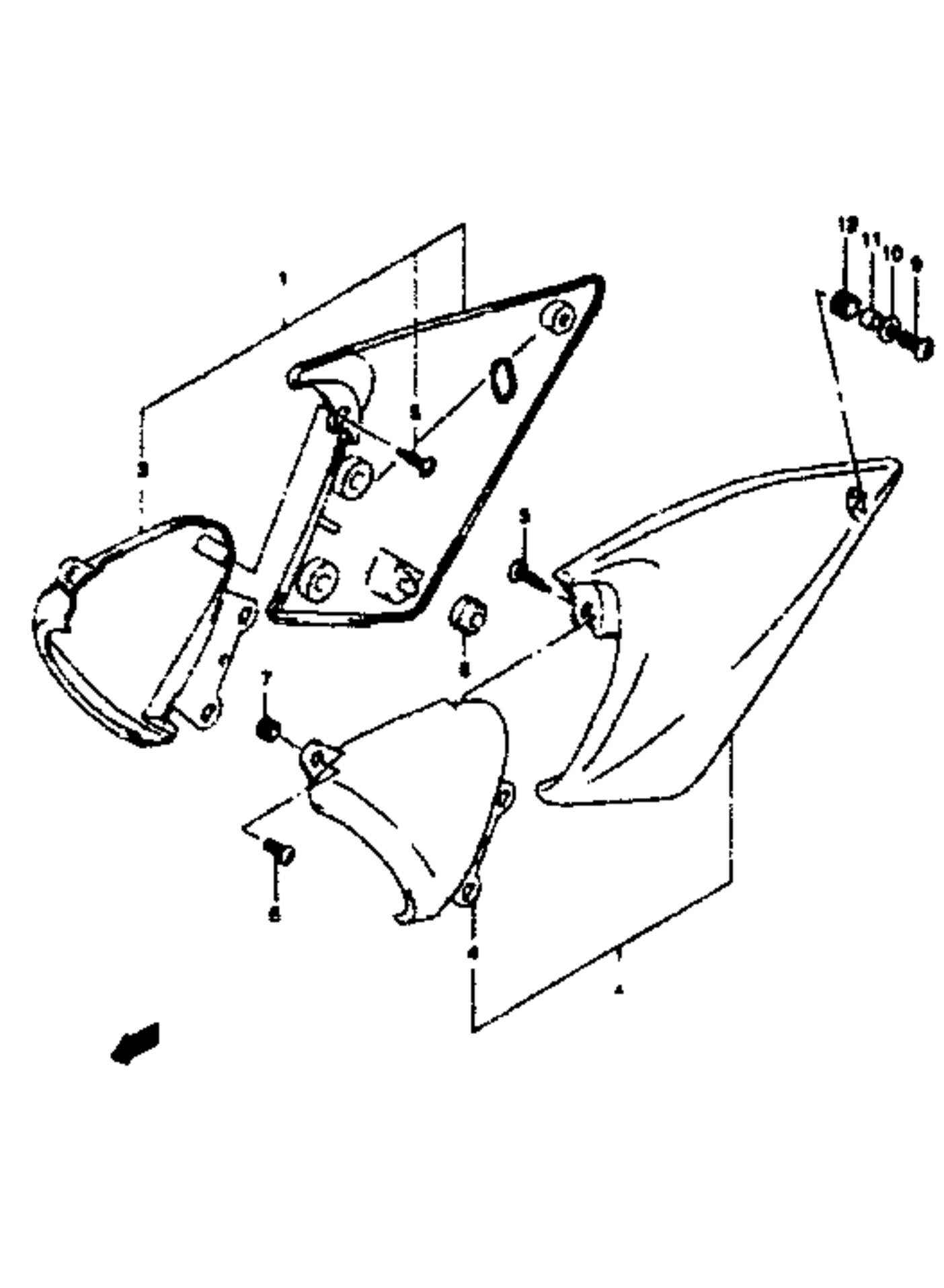
GSF1200SK1 E03 E28\_037  
CANISTER(E33) H 2

FIG.38



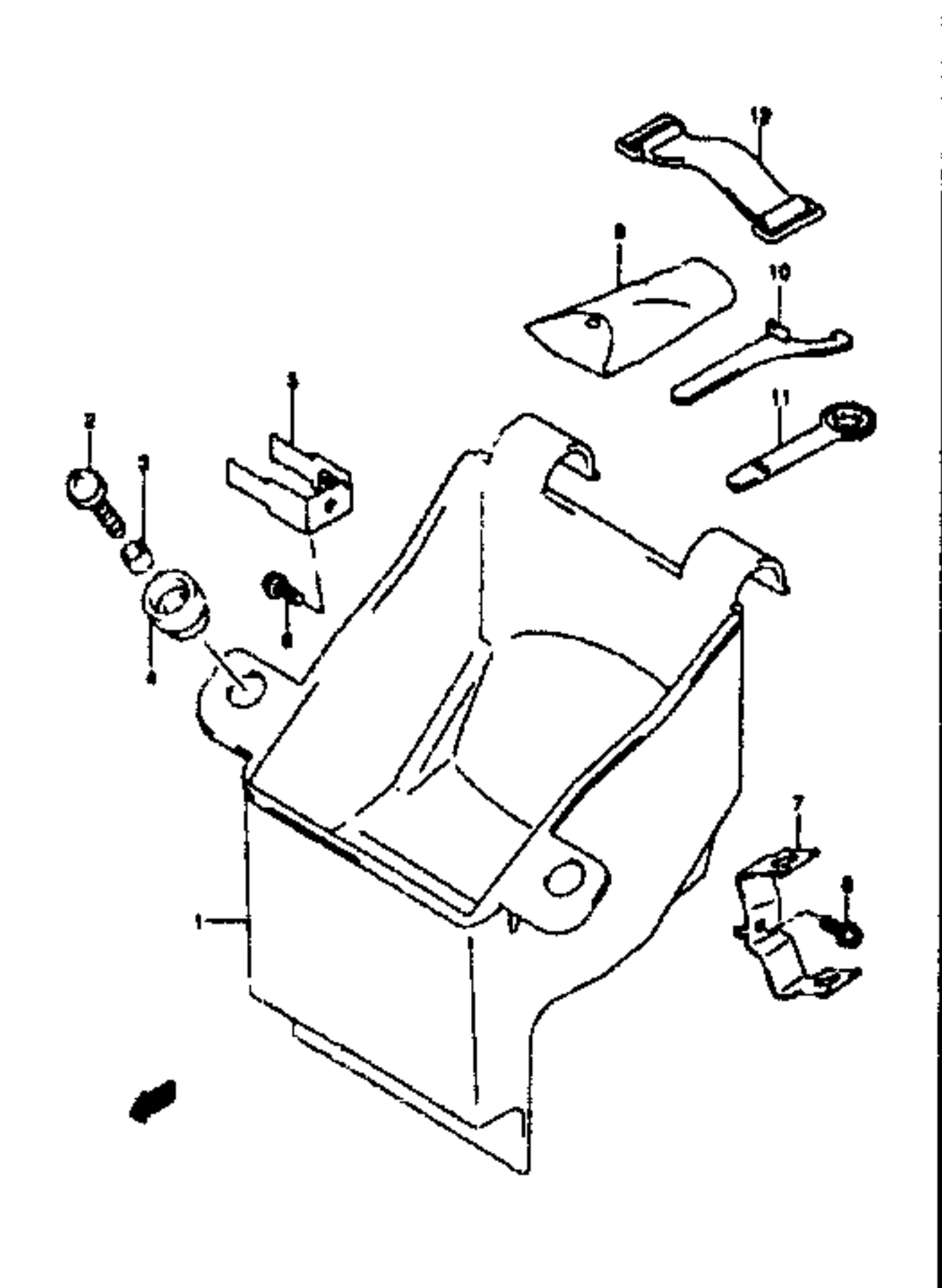
GSF1200SK1 E03 E28\_038  
FRAME COVER H 3

FIG.38A



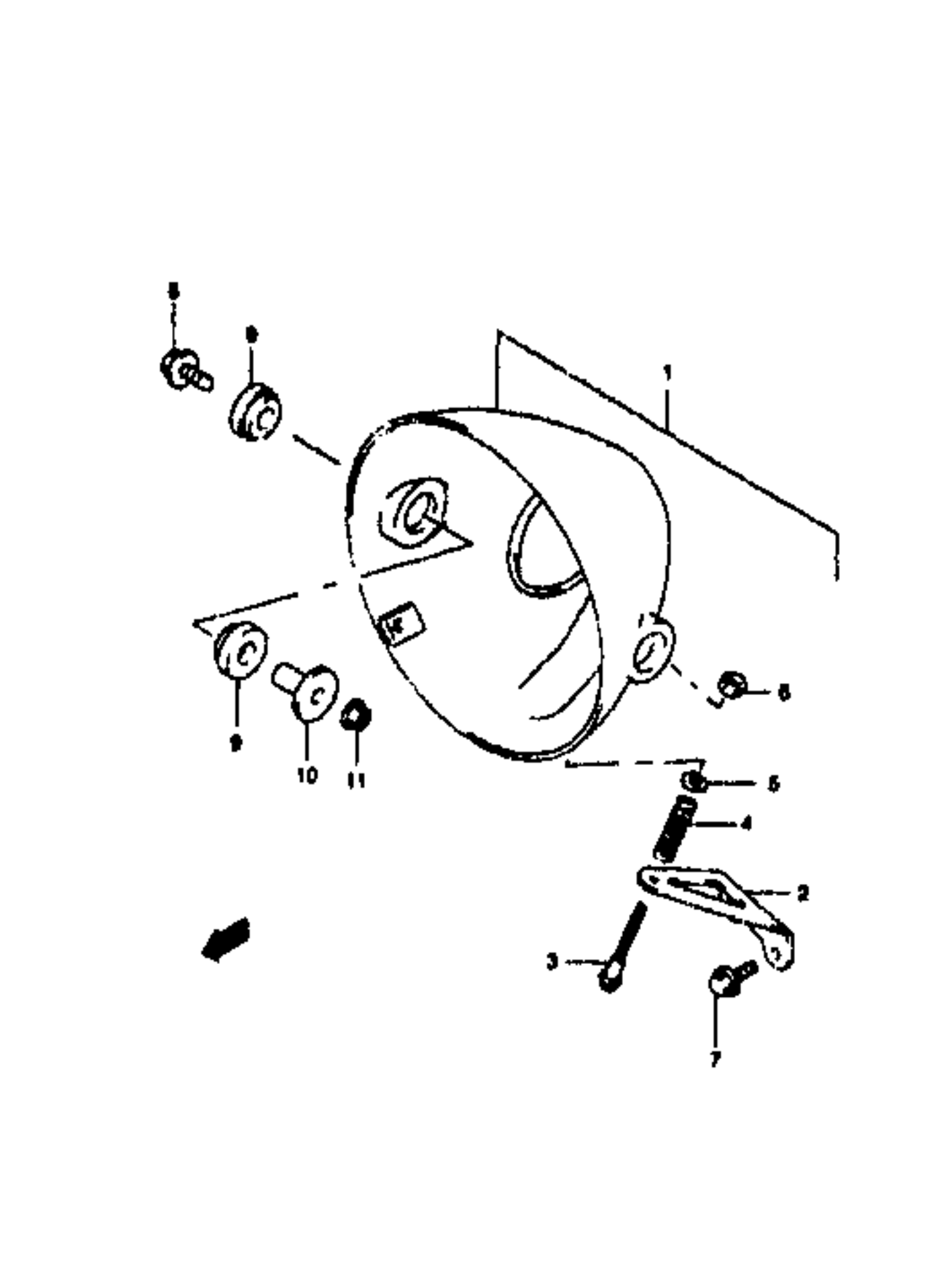
GSF1200SK1 E03 E28\_038A  
FRAME COVER H 4

FIG.39



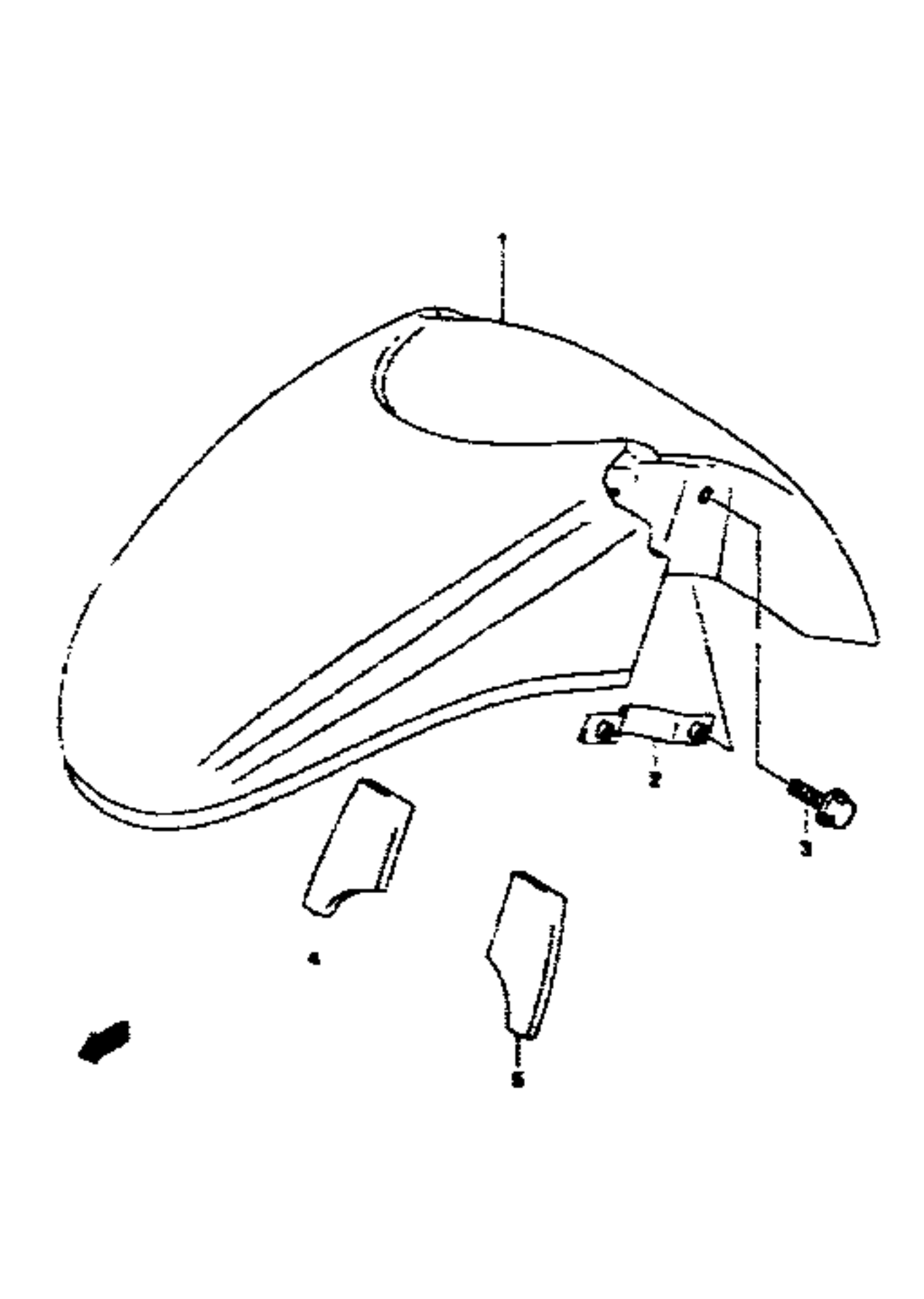
GSF1200SK1 E03 E28\_039  
MANUAL BOX H 5

FIG.39A



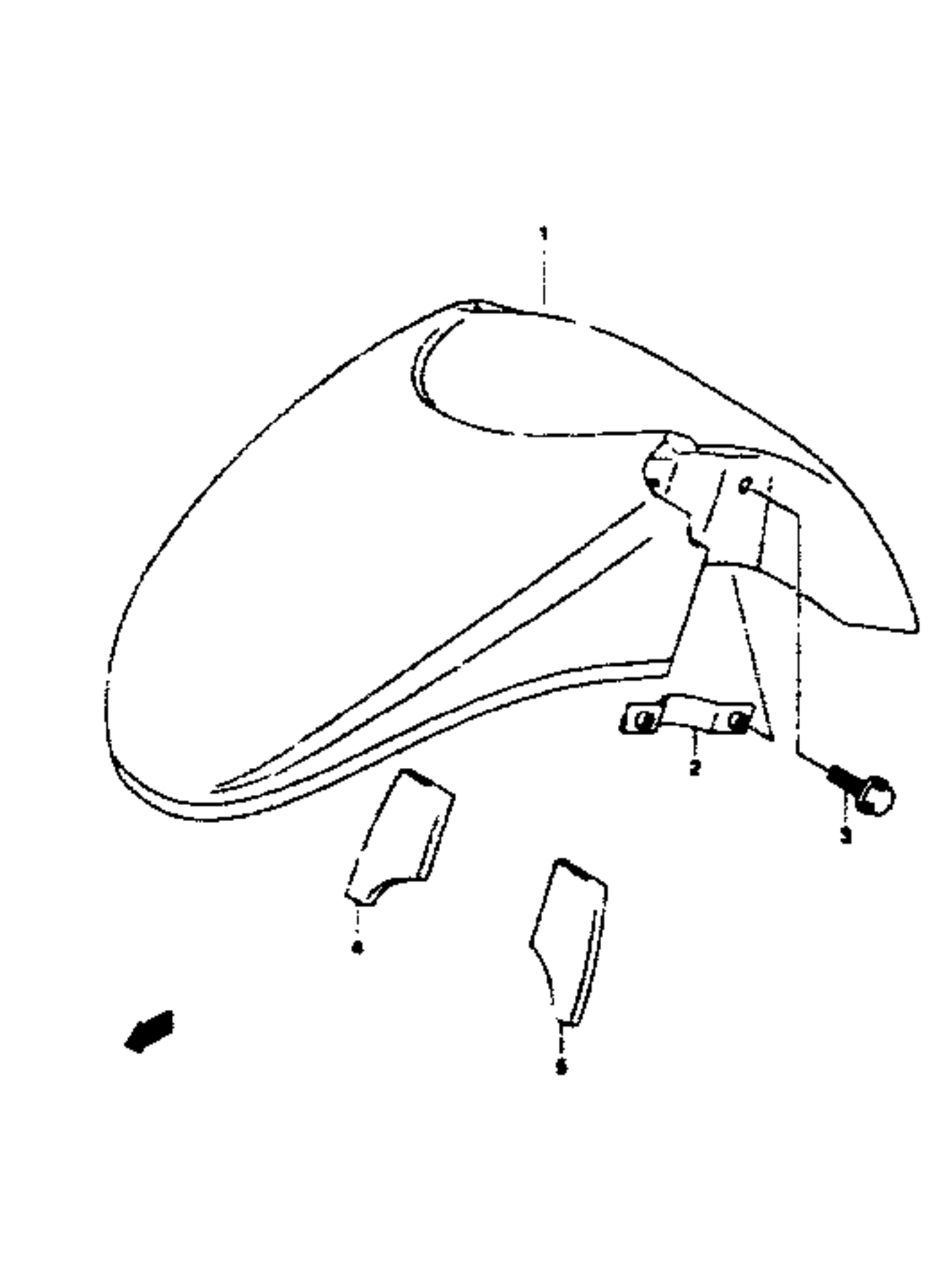
GSF1200SK1 E03 E28\_039A  
HEADLAMP HOUSING H 6

FIG.40



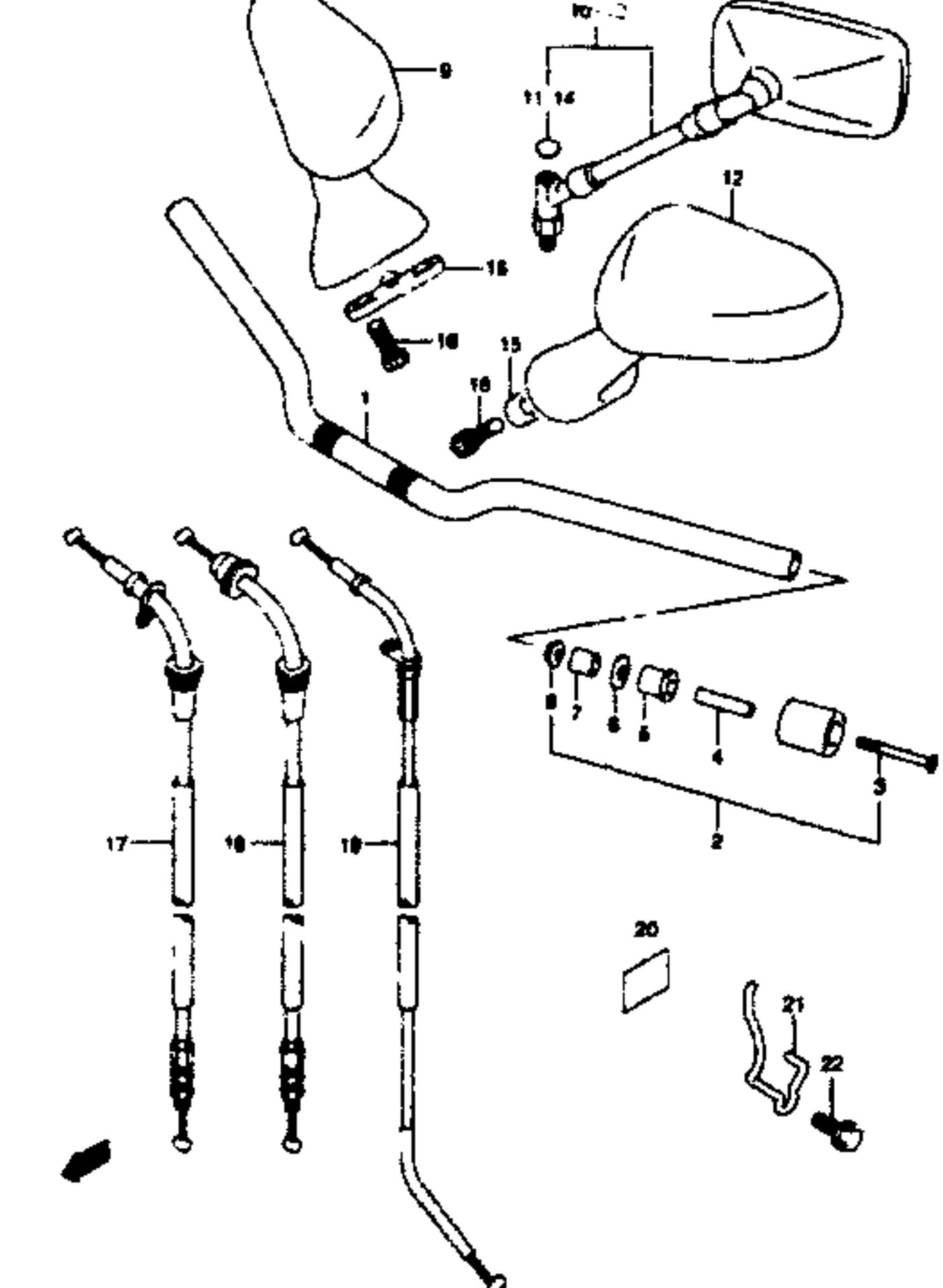
GSF1200SK1 E03 E28\_040  
FRONT FENDER H 7

FIG.40A



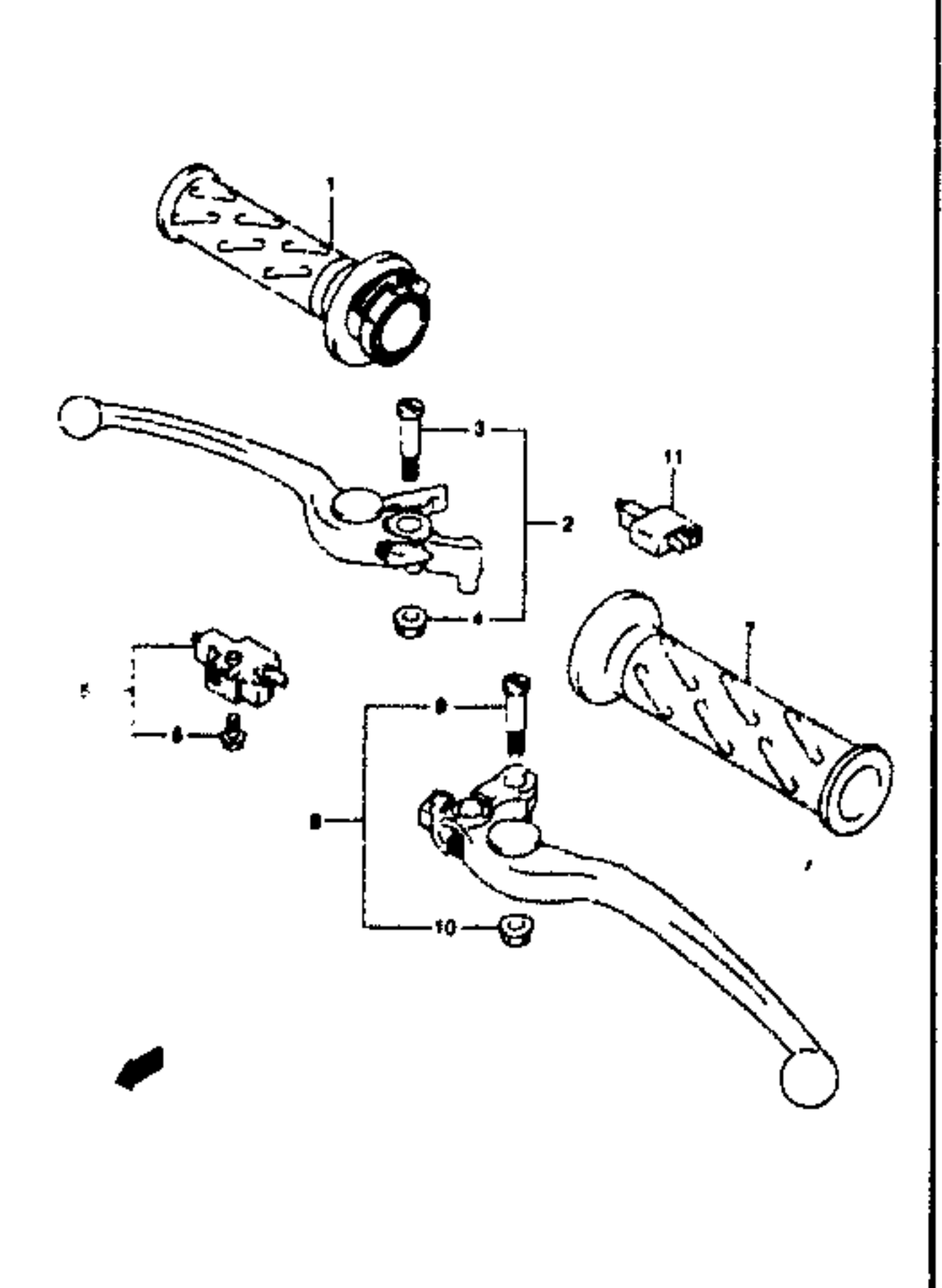
GSF1200SK1 E03 E28\_040A  
FRONT FENDER H 8

FIG.41



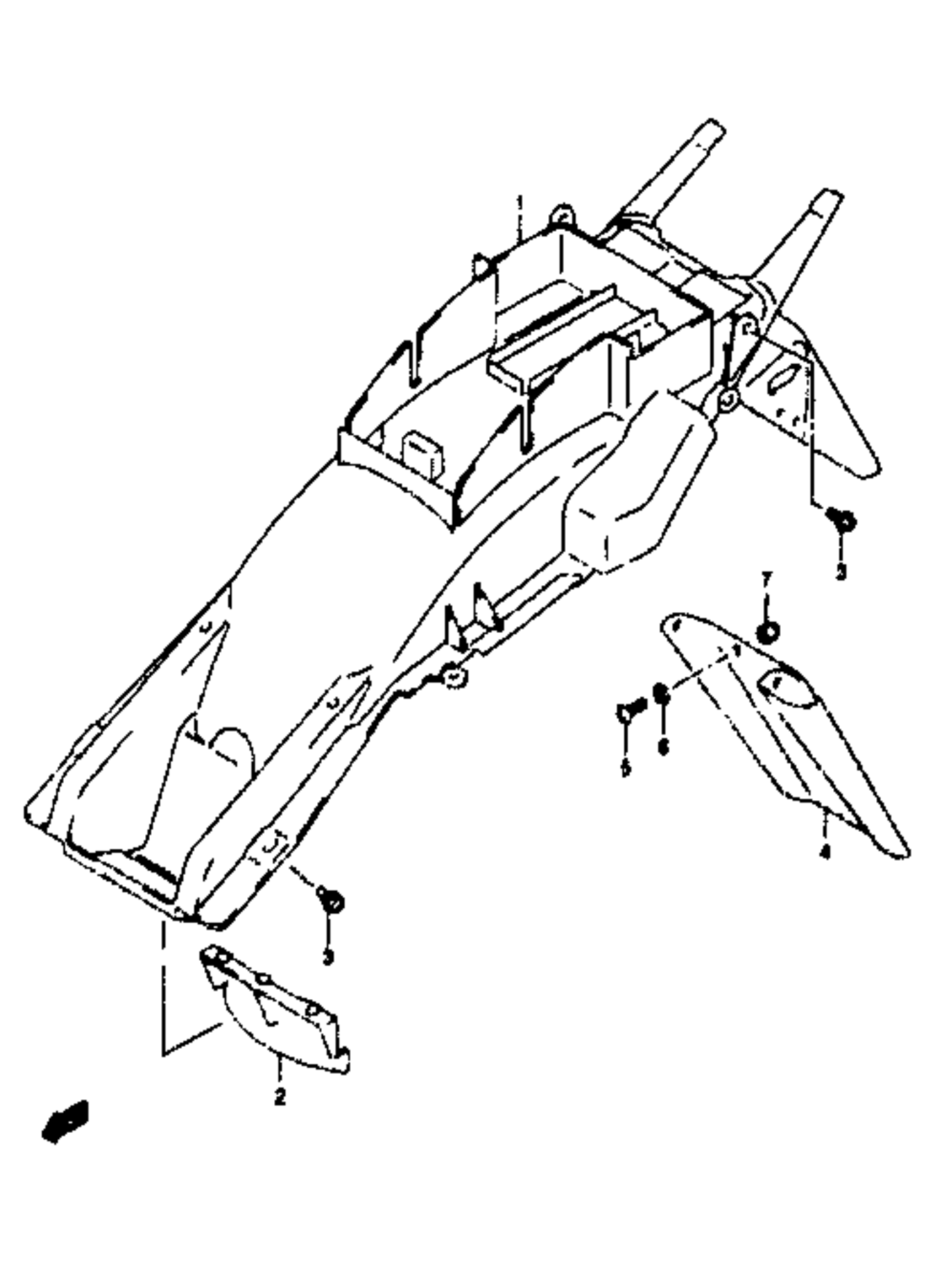
GSF1200SK1 E03 E28\_041  
HANDLEBAR H 9

FIG.42



GSF1200SK1 E03 E28\_042  
HANDLE LEVER H 10

FIG.43



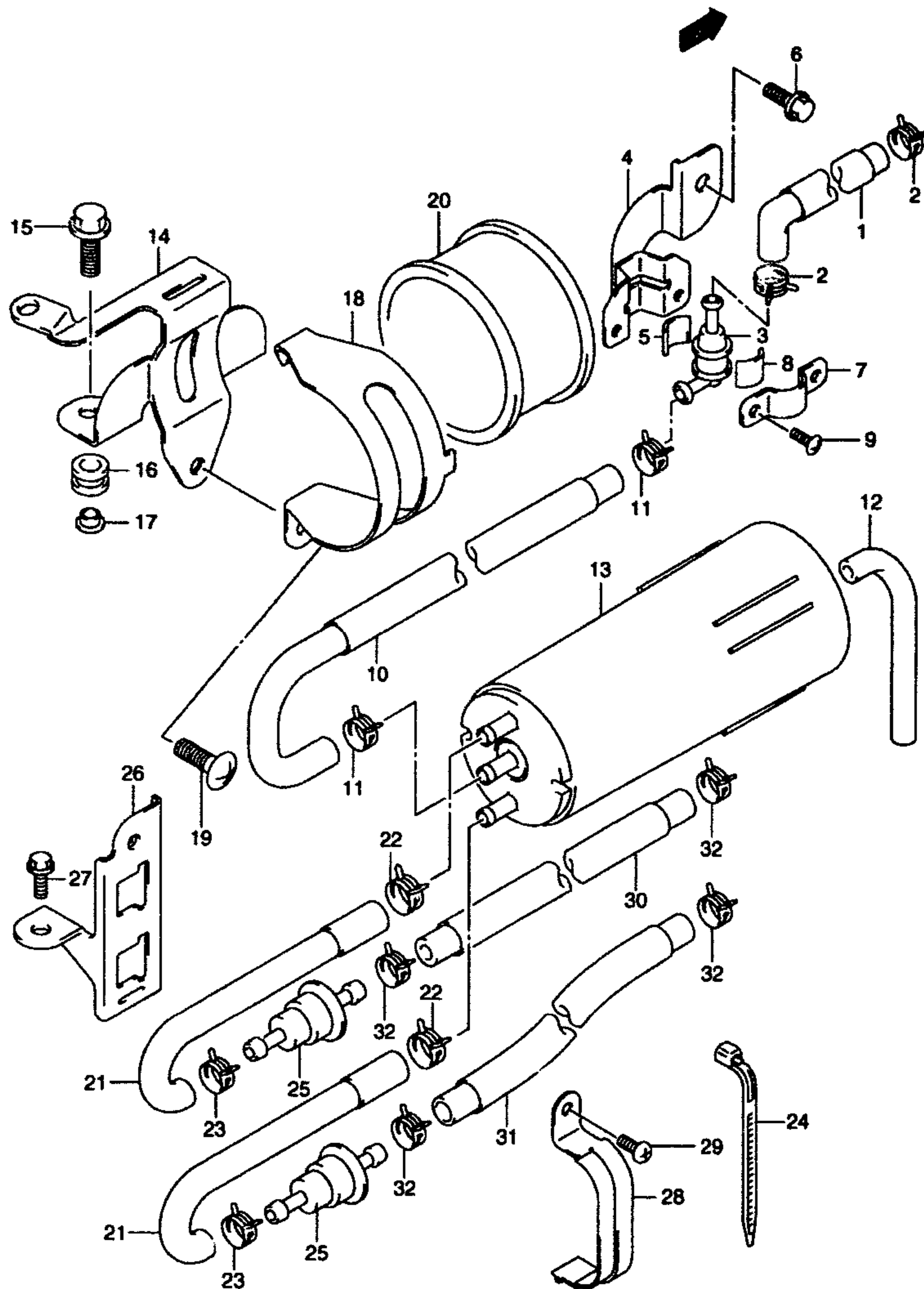
GSF1200SK1 E03 E28\_043  
REAR FENDER H 11

H 1

AIR CLEANER.....	C-07	COWLING BODY.....	I-02	FRAME COVER.....	H-03	GASKET SET.....	B-02	OIL COOLER.....	C-09	SEAT TAIL COVER.....	J-03	TRANSMISSION.....	D-04
ALTERNATOR.....	E-03	COWLING INSTALLATIO	I-04	FRAME.....	G-02	GEAR SHIFTING.....	D-06	OIL PAN.....	B-09	SEAT.....	J-02	TURN SIGNAL LAMP.....	F-04
BATTERY.....	E-05	CRANKCASE COVER.....	B-08	FRONT BRAKE HOSE.....	K-04	HANDLE LEVER.....	H-10	OIL PUMP.....	B-10	SECOND AIR.....	C-10	WIRING HARNESS.....	F-07
CAM CHAIN.....	C-03	CRANKCASE.....	B-06	FRONT CALIPERS.....	K-03	HANDLE SWITCH.....	F-09	OPTIONAL.....	L-07	SIGNAL GENERATOR.....	E-04		
CAM SHAFT / VALVE.....	C-02	CRANKSHAFT.....	B-11	FRONT DAMPER.....	J-07	HANDLEBAR.....	H-09	REAR CALIPER.....	L-05	SPEEDOMETER.....	E-07		
CANISTER.....	H-02	CYLINDER HEAD COVER	B-03	FRONT FENDER.....	H-07	HEADLAMP HOUSING.....	H-06	REAR CUSHION LEVER.....	L-03	STAND.....	G-04		
CARBURETOR FITTING.....	C-05	CYLINDER HEAD.....	B-04	FRONT MASTER CYLIND	K-05	HEADLAMP.....	F-02	REAR FENDER.....	H-11	STARTER CLUTCH.....	B-12		
CARBURETOR.....	C-04	CYLINDER.....	B-05	FUEL COCK.....	G-09	LABEL.....	L-05	REAR MASTER CYLINDE	L-08	STARTING MOTOR.....	E-02		
CLUTCH MASTER CYLIN	K-07	ELECTRICAL.....	E-05	FUEL TANK.....	G-07	MANUAL BOX.....	H-05	REAR SWINGING ARM.....	L-02	STEERING STEM.....	J-06		
CLUTCH.....	D-02	FOOTREST.....	G-05			MUFFLER.....	C-06	REAR WHEEL.....	L-04	TAIL LAMP.....	F-06		

FIG.37

Fig.37 ( H-2 ) CANISTER (E33)



Ref #	Part Number	Description	Qty	Remarks
1	44434-31F00	HOSE, TANK & VALVE	1	
2	09401-11413	CLIP	2	
3	44240-17C00	VALVE, BREATHER	1	
4	44890-31F00	BRACKET, BREATHER VALVE	1	
5	44894-24A00	.CUSHION	1	
6	01550-06162	BOLT, BRACKET	1	
7	44892-24A00	PLATE, BREATHER VALVE	1	
8	44894-24A00	.CUSHION	1	
9	02142-04103	SCREW, PLATE	2	
10	44435-31F00	HOSE, VALVE & CANISTER	1	
11	09401-11413	CLIP	2	
12	17215-31F00	HOSE, CANISTER DRAIN	1	
13	17210-26E00	CANISTER	1	
14	44881-32F00	BRACKET, CANISTER	1	
15	09116-06146	BOLT, BRACKET	3	
16	09320-08001	CUSHION	3	
17	09169-06062	SPACER	3	
18	44882-02F01	HOLDER, CANISTER	1	
19	02142-06123	SCREW, HOLDER	1	
20	44883-26E00	CUSHION, CANISTER	1	
21	44437-31F00	HOSE, PURGE	2	
22	09401-11407	CLIP	2	
23	09401-11413	CLIP	2	
24	09407-18402	CLAMP	1	
25	44250-48B00	VALVE, PURGE	2	
26	44885-31F01	BRACKET, PURGE VALVE	1	
27	01550-06123	BOLT, BRACKET	1	
28	44884-31E00	HOLDER, PURGE VALVE	1	
29	02112-05083	SCREW	1	
30	44438-31F00	HOSE, CARB (L:980)	1	
31	44439-31F00	HOSE, CARB (L:900)	1	
32	09401-11413	CLIP	4	

GSF1200SK1 E03 E28\_037  
CANISTER(E33)

51 GSF1200, S K2 E3, E33

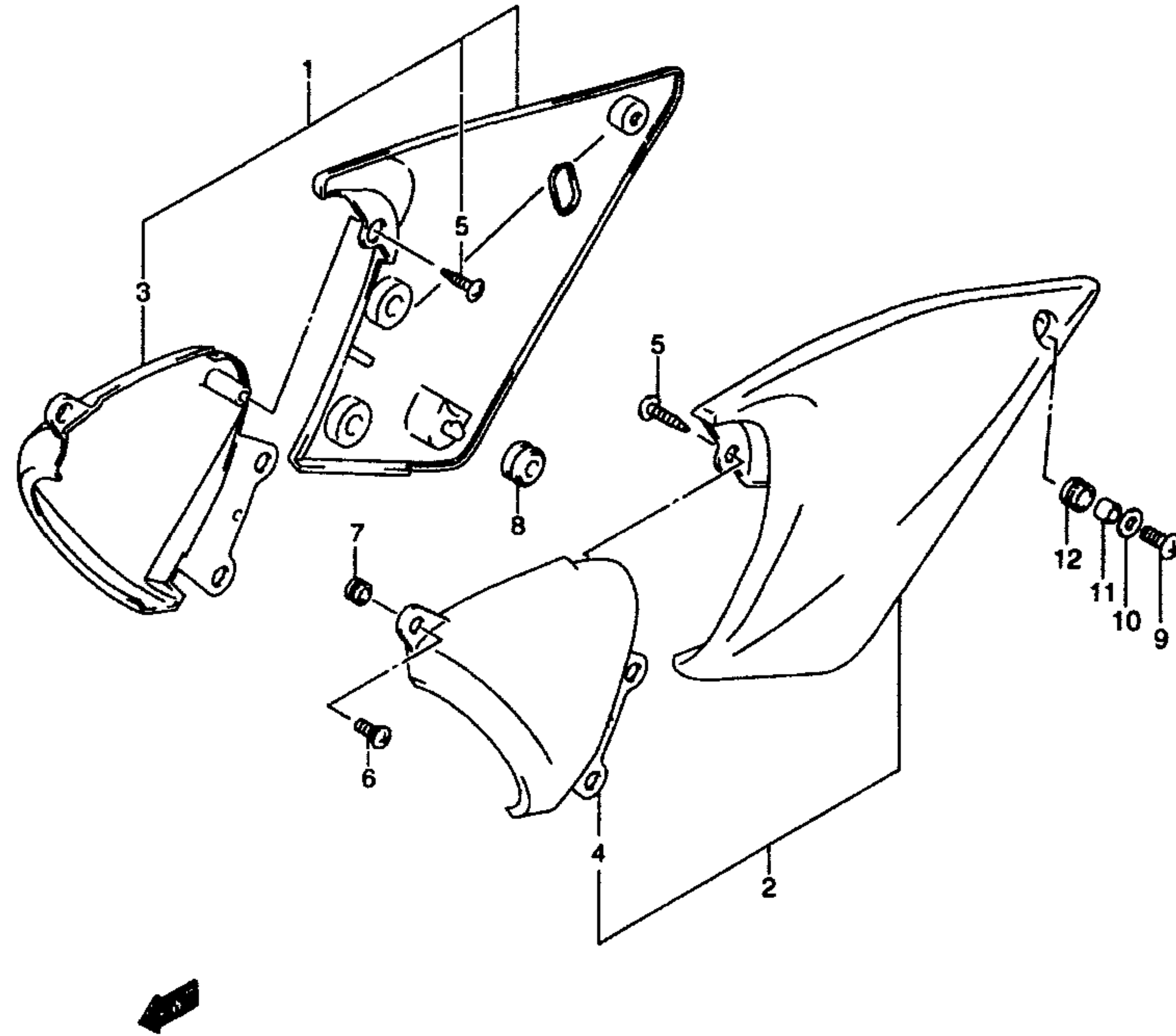
H 2

AIR CLEANER.....	C-07	COWLING BODY.....	I-02	FRAME COVER.....	H-03	GASKET SET.....	B-02	OIL COOLER.....	C-09	SEAT TAIL COVER....	J-03	TRANSMISSION.....	D-04
ALTERNATOR.....	E-03	COWLING INSTALLATIO	I-04	FRAME.....	G-02	GEAR SHIFTING.....	D-08	OIL PAN.....	B-09	SEAT.....	J-02	TURN SIGNAL LAMP...	F-04
BATTERY.....	E-08	CRANKCASE COVER...	B-08	FRONT BRAKE HOSE...	K-04	HANDLE LEVER.....	H-10	OIL PUMP.....	B-10	SECOND AIR.....	C-10	WIRING HARNESS....	F-07
CAM CHAIN.....	C-03	CRANKCASE.....	B-06	FRONT CALIPERS.....	K-03	HANDLE SWITCH.....	F-09	OPTIONAL.....	L-07	SIGNAL GENERATOR...	E-04		
CAM SHAFT / VALVE..	C-02	CRANKSHAFT.....	B-11	FRONT DAMPER.....	J-07	HANDLEBAR.....	H-09	REAR CALIPER.....	L-05	SPEEDOMETER.....	E-07		
CANISTER.....	H-02	CYLINDER HEAD COVER	B-03	FRONT FENDER.....	H-07	HEADLAMP HOUSING..	H-08	REAR CUSHION LEVER	L-03	STAND.....	G-04		
CARBURETOR FITTING	C-06	CYLINDER HEAD.....	B-04	FRONT MASTER CYLIND	K-05	HEADLAMP.....	F-02	REAR FENDER.....	H-11	STARTER CLUTCH....	B-12		
CARBURETOR.....	C-04	CYLINDER.....	B-05	FRONT WHEEL.....	K-02	LABEL.....	I-05	REAR MASTER CYLINDE	L-06	STARTING MOTOR....	E-02		
CLUTCH MASTER CYLIN	K-07	ELECTRICAL.....	E-05	FUEL COCK.....	G-09	MANUAL BOX.....	H-05	REAR SWINGING ARM..	L-02	STEERING STEM....	J-08		
CLUTCH.....	D-02	FOOTREST.....	G-05	FUEL TANK.....	G-07	MUFFLER.....	C-08	REAR WHEEL.....	L-04	TAIL LAMP.....	F-06		



FIG.38

Fig.38 ( H-3 ) FRAME COVER (MODEL K1)



Ref #	Part Number	Description	Qty	Remarks
1	47110-31F00-35W	COVER, FRAME RH (GRAY)	1	
2	47210-31F01-35W	COVER, FRAME LH (GRAY)	1	
3	47121-31F00	.COVER, FRONT RH	1	
4	47221-31F01	.COVER, FRONT LH	1	
5	03541-15123	.CREW	6	
6	47155-31F00	SCREW, FRONT	2	
7	47822-31F00	CUSHION, FRONT	2	
8	09320-08018	CUSHION, CENTER	2	
9	09139-06030	SCREW, CENTER	2	
10	09160-06028	WASHER	2	
11	09180-06263	SPACER	2	
12	09320-09016	CUSHION	2	
13	47161-04A00	CUSHION, SIDE	2	

GSF1200SK1 E03 E28\_038  
FRAME COVER

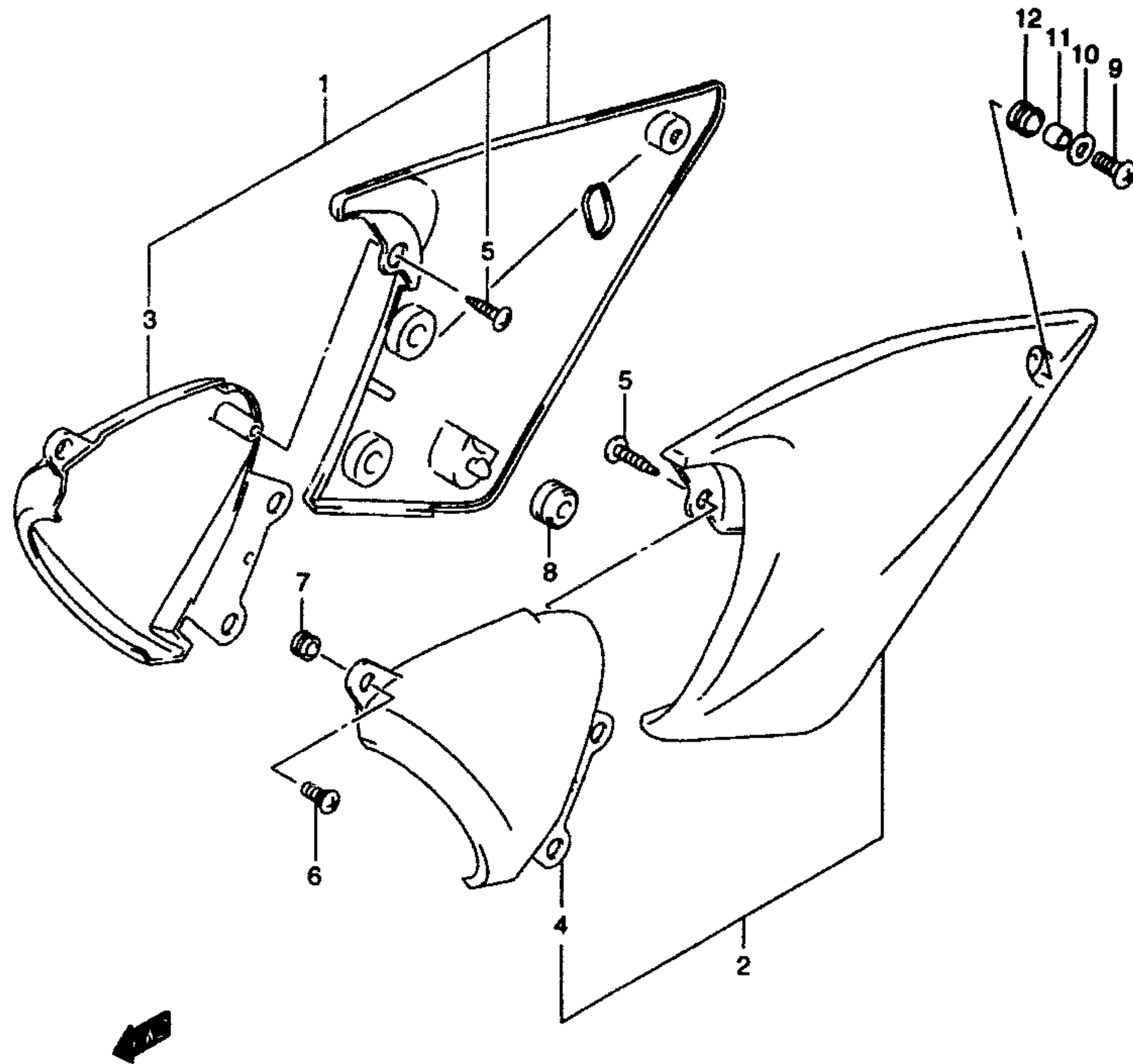
52 GSF1200, S K2 E3, E33

H 3

AIR CLEANER.....	C-07	COWLING BODY.....	I-02	FRAME COVER.....	H-03	GASKET SET.....	B-02	OIL COOLER.....	C-09	SEAT TAIL COVER....	J-03	TRANSMISSION.....	D-04
ALTERNATOR.....	E-03	COWLING INSTALLATIO	I-04	FRAME.....	G-02	GEAR SHIFTING.....	D-06	OIL PAN.....	B-09	SEAT.....	J-02	TURN SIGNAL LAMP...	F-04
BATTERY.....	E-06	CRANKCASE COVER...	B-08	FRONT BRAKE HOSE...	K-04	HANDLE LEVER.....	H-10	OIL PUMP.....	B-10	SECOND AIR.....	C-10	WIRING HARNESS....	F-07
CAM CHAIN.....	C-03	CRANKCASE.....	B-06	FRONT CALIPERS.....	K-03	HANDLE SWITCH.....	F-09	OPTIONAL.....	L-07	SIGNAL GENERATOR...	E-04		
CAM SHAFT / VALVE..	C-02	CRANKSHAFT.....	B-11	FRONT DAMPER.....	J-07	HANDLEBAR.....	H-09	REAR CALIPER.....	L-05	SPEEDOMETER.....	E-07		
CANISTER.....	H-02	CYLINDER HEAD COVER	B-03	FRONT FENDER.....	H-07	HEADLAMP HOUSING..	H-06	REAR CUSHION LEVER..	L-03	STAND.....	G-04		
CARBURETOR FITTING..	C-06	CYLINDER HEAD.....	B-04	FRONT MASTER CYLIND	K-05	HEADLAMP.....	F-02	REAR FENDER.....	H-11	STARTER CLUTCH....	B-12		
CARBURETOR.....	C-04	CYLINDER.....	B-05	FRONT WHEEL.....	K-02	LABEL.....	I-05	REAR MASTER CYLINDE	L-08	STARTING MOTOR....	E-02		
CLUTCH MASTER CYLIN	K-07	ELECTRICAL.....	E-05	FUEL COCK.....	G-09	MANUAL BOX.....	H-05	REAR SWINGING ARM..	L-02	STEERING STEM....	J-08		
CLUTCH.....	D-02	FOOTREST.....	G-05	FUEL TANK.....	G-07	MUFFLER.....	C-08	REAR WHEEL.....	L-04	TAIL LAMP.....	F-06		

**FIG.38A**

Fig.38A ( H-4 ) FRAME COVER (MODEL K2)



Ref #	Part Number	Description	Qty	Remarks
1	47110-31F00-Y7L	COVER, FRAME RH (BLACK)	1	
2	47210-31F01-Y7L	COVER, FRAME LH (BLACK)	1	
3	47121-31F00	.COVER, FRONT RH	1	
4	47221-31F01	.COVER, FRONT LH	1	
5	03541-15123	.CREW	6	
6	09139-05070	SCREW, FRONT	2	
7	47822-31F00	CUSHION, FRONT	2	
8	09320-08018	CUSHION, CENTER	2	
9	09139-06030	SCREW, CENTER	2	
10	09160-06028	WASHER	2	
11	09180-06263	SPACER	2	
12	09320-09016	CUSHION	2	

GSF1200SK1 E03 E28\_038A  
FRAME COVER

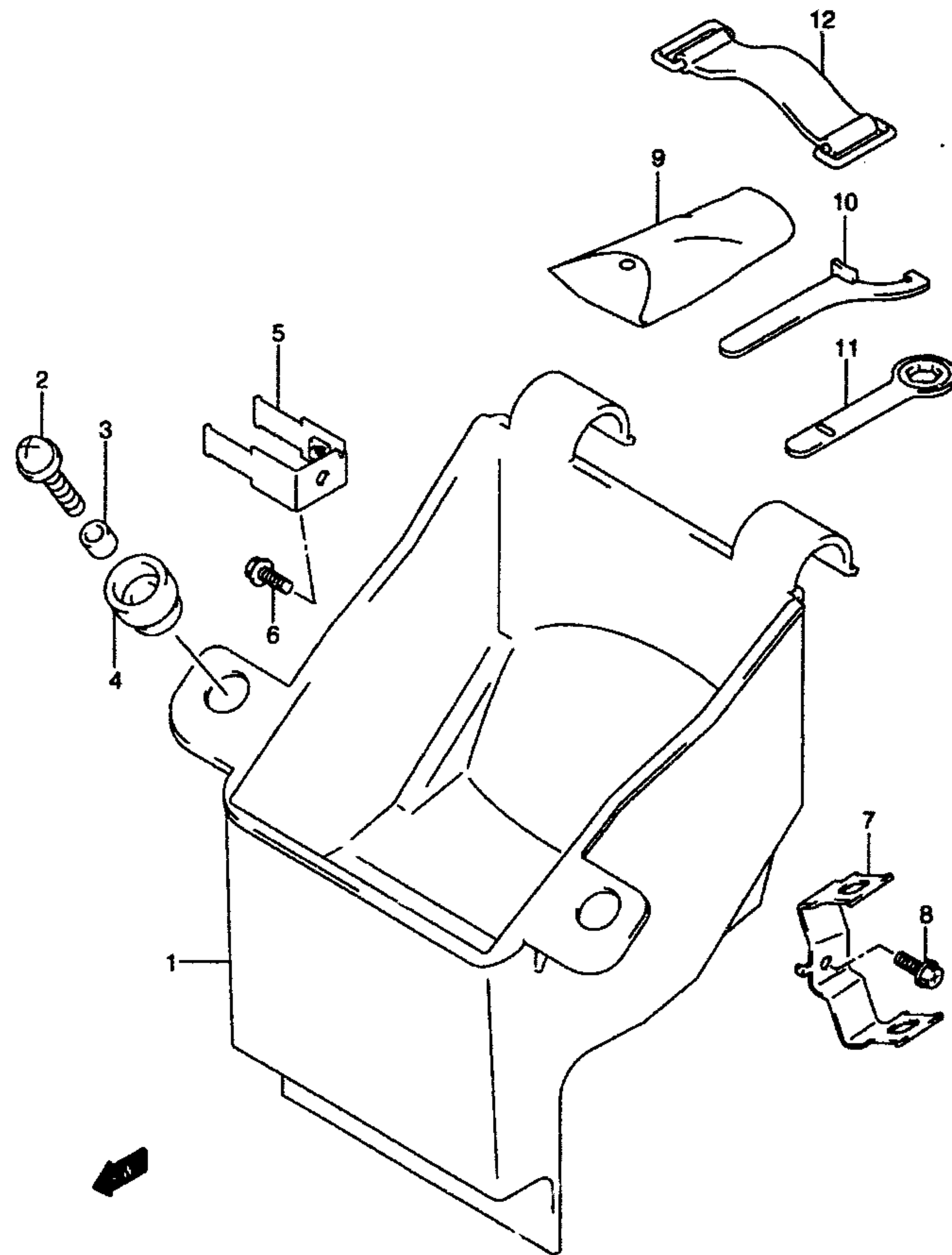
53 GSF1200, S K2 E3, E33

H 4

AIR CLEANER.....	C-07	COWLING BODY.....	I-02	FRAME COVER.....	H-03	GASKET SET.....	B-02	OIL COOLER.....	C-09	SEAT TAIL COVER.....	J-03	TRANSMISSION.....	D-04
ALTERNATOR.....	E-03	COWLING INSTALLATIO	I-04	FRAME.....	G-02	GEAR SHIFTING.....	D-06	OIL PAN.....	B-09	SEAT.....	J-02	TURN SIGNAL LAMP...	F-04
BATTERY.....	E-08	CRANKCASE COVER...	B-08	FRONT BRAKE HOSE...	K-04	HANDLE LEVER.....	H-10	OIL PUMP.....	B-10	SECOND AIR.....	C-10	WIRING HARNESS.....	F-07
CAM CHAIN.....	C-03	CRANKCASE.....	B-08	FRONT CALIPERS.....	K-03	HANDLE SWITCH.....	F-09	OPTIONAL.....	L-07	SIGNAL GENERATOR...	E-04		
CAM SHAFT / VALVE..	C-02	CRANKSHAFT.....	B-11	FRONT DAMPER.....	J-07	HANDLEBAR.....	H-09	REAR CALIPER.....	L-05	SPEEDOMETER.....	E-07		
CANISTER.....	H-02	CYLINDER HEAD COVER	B-03	FRONT FENDER.....	H-07	HEADLAMP HOUSING...	H-06	REAR CUSHION LEVER.	L-03	STAND.....	G-04		
CARBURETOR FITTING.	C-06	CYLINDER HEAD.....	B-04	FRONT MASTER CYLIND	K-05	HEADLAMP.....	F-02	REAR FENDER.....	H-11	STARTER CLUTCH.....	B-12		
CARBURETOR.....	C-04	CYLINDER.....	B-05	FRONT WHEEL.....	K-02	LABEL.....	I-05	REAR MASTER CYLIND	L-06	STARTING MOTOR.....	E-02		
CLUTCH MASTER CYLIN	K-07	ELECTRICAL.....	E-05	FUEL COCK.....	G-09	MANUAL BOX.....	H-05	REAR SWINGING ARM..	L-02	STEERING STEM.....	J-08		
CLUTCH.....	D-02	FOOTREST.....	G-06	FUEL TANK.....	G-07	MUFFLER.....	C-08	REAR WHEEL.....	L-04	TAIL LAMP.....	F-06		



FIG.39



Ref #	Part Number	Description	Qty	Remarks
1	47431-31F00	BOX, MANUAL	1	
2	09136-06105	SCREW	2	
3	09180-06284	SPACER	2	
4	09320-10045	CUSHION	2	
5	47410-31F00	PLATE, RELAY	1	
6	01550-06123	BOLT	1	
7-1	47412-31F00	PLATE, IGNITER	1	MODEL K1
7-2	47412-31F10	PLATE, IGNITER	1	MODEL K2
8	02162-06123	BOLT	1	
9	09800-21017	TOOL ASSY	1	
10	09822-00005	CLAMP WRENCH	1	
11	09817-00039	RING SPANNER, 24	1	
12	09462-00034	BAND, TOOL	2	

GSF1200SK1 E03 E28\_039  
MANUAL BOX

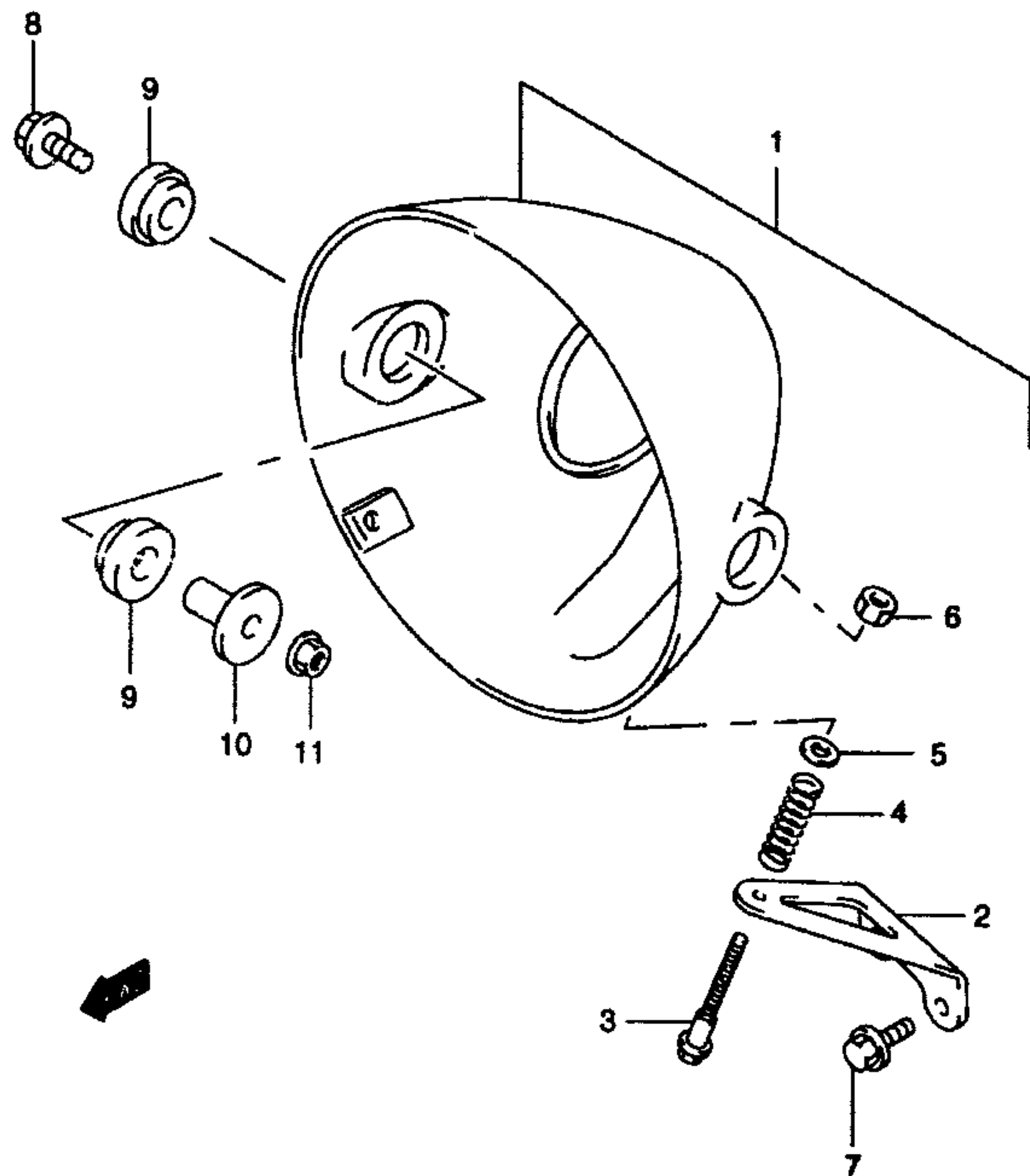
54 GSF1200, S K2 E3, E33

H 5

AIR CLEANER.....	C-07	COWLING BODY.....	I-02	FRAME COVER.....	H-03	GASKET SET.....	B-02	OIL COOLER.....	C-06	SEAT TAIL COVER....	J-03	TRANSMISSION.....	D-04
ALTERNATOR.....	E-03	COWLING INSTALLATIO	I-04	FRAME.....	G-02	GEAR SHIFTING.....	D-06	OIL PAN.....	B-09	SEAT.....	J-02	TURN SIGNAL LAMP...	F-04
BATTERY.....	E-06	CRANKCASE COVER...	B-08	FRONT BRAKE HOSE...	K-04	HANDLE LEVER.....	H-10	OIL PUMP.....	B-10	SECOND AIR.....	C-10	WIRING HARNESS....	F-07
CAM CHAIN.....	C-03	CRANKCASE.....	B-06	FRONT CALIPERS.....	K-03	HANDLE SWITCH.....	F-09	OPTIONAL.....	L-07	SIGNAL GENERATOR...	E-04		
CAM SHAFT / VALVE..	C-02	CRANKSHAFT.....	B-11	FRONT DAMPER.....	J-07	HANDLEBAR.....	H-09	REAR CALIPER.....	L-05	SPEEDOMETER.....	E-07		
CANISTER.....	H-02	CYLINDER HEAD COVER	B-03	FRONT FENDER.....	H-07	HEADLAMP HOUSING...	H-06	REAR CUSHION LEVER.	L-03	STAND.....	G-04		
CARBURETOR FITTING.	C-06	CYLINDER HEAD.....	B-04	FRONT MASTER CYLIND	K-05	HEADLAMP.....	F-02	REAR FENDER.....	H-11	STARTER CLUTCH.....	B-12		
CARBURETOR.....	C-04	CYLINDER.....	B-05	FRONT WHEEL.....	K-02	LABEL.....	I-05	REAR MASTER CYLIND	L-06	STARTING MOTOR.....	E-02		
CLUTCH MASTER CYLIN	K-07	ELECTRICAL.....	E-05	FUEL COCK.....	G-09	MANUAL BOX.....	H-05	REAR SWINGING ARM..	L-02	STEERING STEM.....	J-08		
CLUTCH.....	D-02	FOOTREST.....	G-06	FUEL TANK.....	G-07	MUFFLER.....	C-06	REAR WHEEL.....	L-04	TAIL LAMP.....	F-06		

**FIG.39A**

**Fig.39A ( H-6 ) HEADLAMP HOUSING (GSF1200K1/K2)**



Ref #	Part Number	Description	Qty	Remarks
1	51800-32F00	HOUSING, HEADLAMP	1	
2	51814-31F00	.PLATE, HOUSING	1	
3	51858-25D00	.BOLT, ADJUSTER	1	
4	51837-25D00	.SPRING, ADJUSTER	1	
5	08322-01053	.WASHER	1	
6	51825-25D00	.NUT	1	
7	01550-05123	BOLT, PLATE	2	
8	01244-08357	BOLT, HOUSING	2	
9	09320-12065	CUSHION	4	
10	09180-08168	SPACER	2	
11	08316-10083	NUT	2	

GSF1200SK1 E03 E28\_039A  
HEADLAMP HOUSING

55 GSF1200, S K2 E3, E33

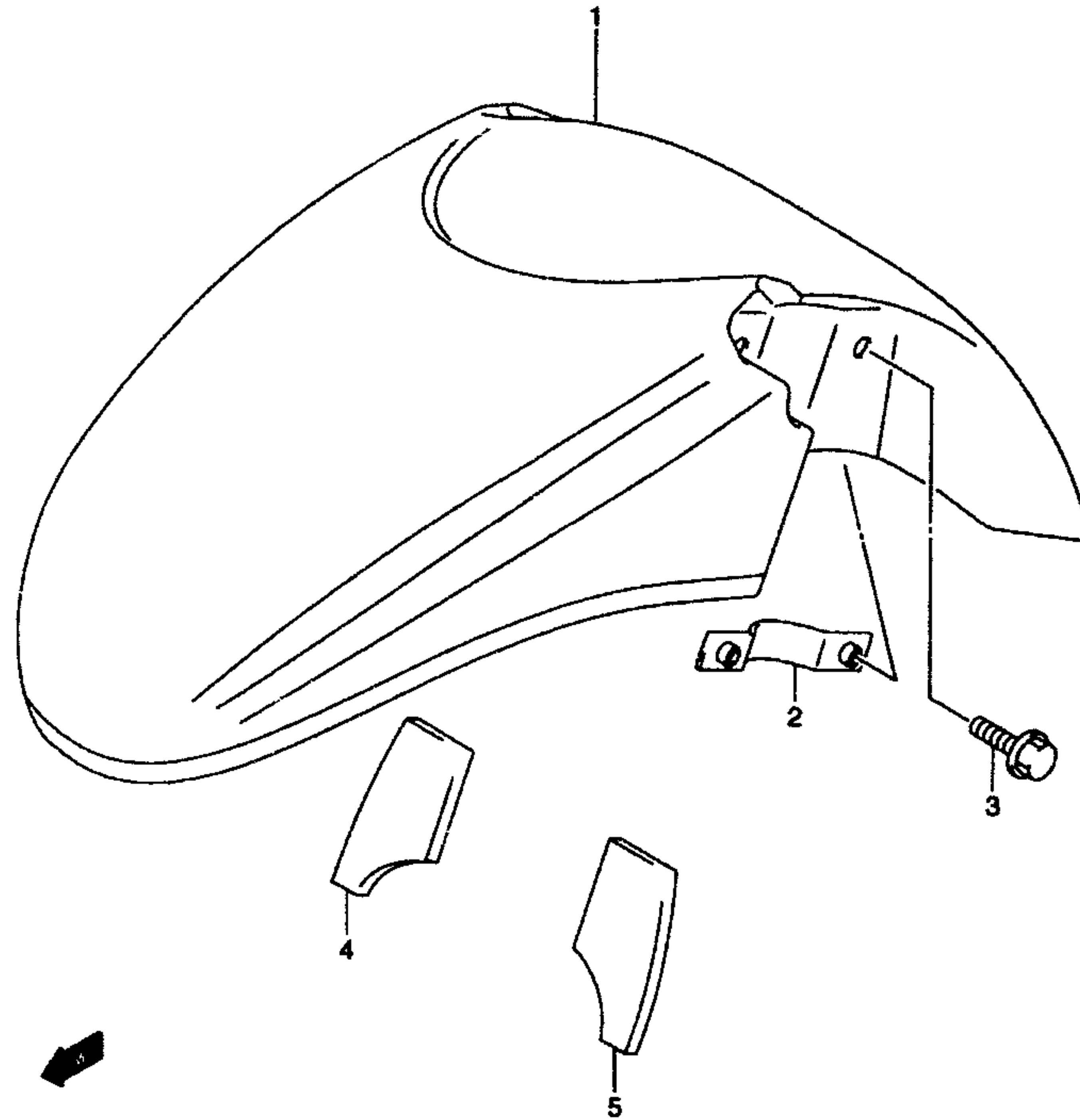
**H 6**

AIR CLEANER.....	C-07	COWLING BODY.....	I-02	FRAME COVER.....	H-03	GASKET SET.....	B-02	OIL COOLER.....	C-09	SEAT TAIL COVER..	J-03	TRANSMISSION.....	D-04
ALTERNATOR.....	E-03	COWLING INSTALLATIO	I-04	FRAME.....	G-02	GEAR SHIFTING.....	D-08	OIL PAN.....	B-08	SEAT.....	J-02	TURN SIGNAL LAMP...	F-04
BATTERY.....	E-06	CRANKCASE COVER...	B-08	FRONT BRAKE HOSE...	K-04	HANDLE LEVER.....	H-10	OIL PUMP.....	B-10	SECOND AIR.....	C-10	WIRING HARNESS....	F-07
CAM CHAIN.....	C-03	CRANKCASE.....	B-08	FRONT CALIPERS.....	K-03	HANDLE SWITCH.....	F-09	OPTIONAL.....	L-07	SIGNAL GENERATOR..	E-04		
CAM SHAFT / VALVE..	C-02	CRANKSHAFT.....	B-11	FRONT DAMPER.....	J-07	HANDLEBAR.....	H-09	REAR CALIPER.....	L-06	SPEEDOMETER.....	E-07		
CANISTER.....	H-02	CYLINDER HEAD COVER	B-03	FRONT FENDER.....	H-07	HEADLAMP HOUSING..	H-06	REAR CUSHION LEVER.	L-03	STAND.....	G-04		
CARBURETOR FITTING.	C-06	CYLINDER HEAD.....	B-04	FRONT MASTER CYLIND	K-05	HEADLAMP.....	F-02	REAR FENDER.....	H-11	STARTER CLUTCH....	B-12		
CARBURETOR.....	C-04	CYLINDER.....	B-05	FRONT WHEEL.....	K-02	LABEL.....	L-05	REAR MASTER CYLINDE	L-06	STARTING MOTOR....	E-02		
CLUTCH MASTER CYLIN	K-07	ELECTRICAL.....	E-05	FUEL COCK.....	G-08	MANUAL BOX.....	H-05	REAR SWINGING ARM..	L-02	STEERING STEM.....	J-08		
CLUTCH.....	D-02	FOOTREST.....	G-05	FUEL TANK.....	G-07	MUFFLER.....	C-08	REAR WHEEL.....	L-04	TAIL LAMP.....	F-06		



**FIG.40**

Fig.40 ( H-7 ) FRONT FENDER (MODEL K1)



Ref #	Part Number	Description	Qty	Remarks
1-1	53111-31F00-33J	FENDER, FRONT (BLACK)	1	GSF1200SK1 E28 GSF1200K1 E3/E33
1-2	53111-31F00-YC6	FENDER, FRONT (RED)	1	
1-3	53111-31F00-YD8	FENDER, FRONT (SILVER)	1	GSF1200SK1 E3,E33
2	53120-31F00	PLATE, FENDER	2	
3	01547-06357	BOLT	4	
4	53147-31F00	CUSHION, RH	1	
5	53148-31F00	CUSHION, LH	1	

GSF1200SK1 E03 E28\_040  
FRONT FENDER

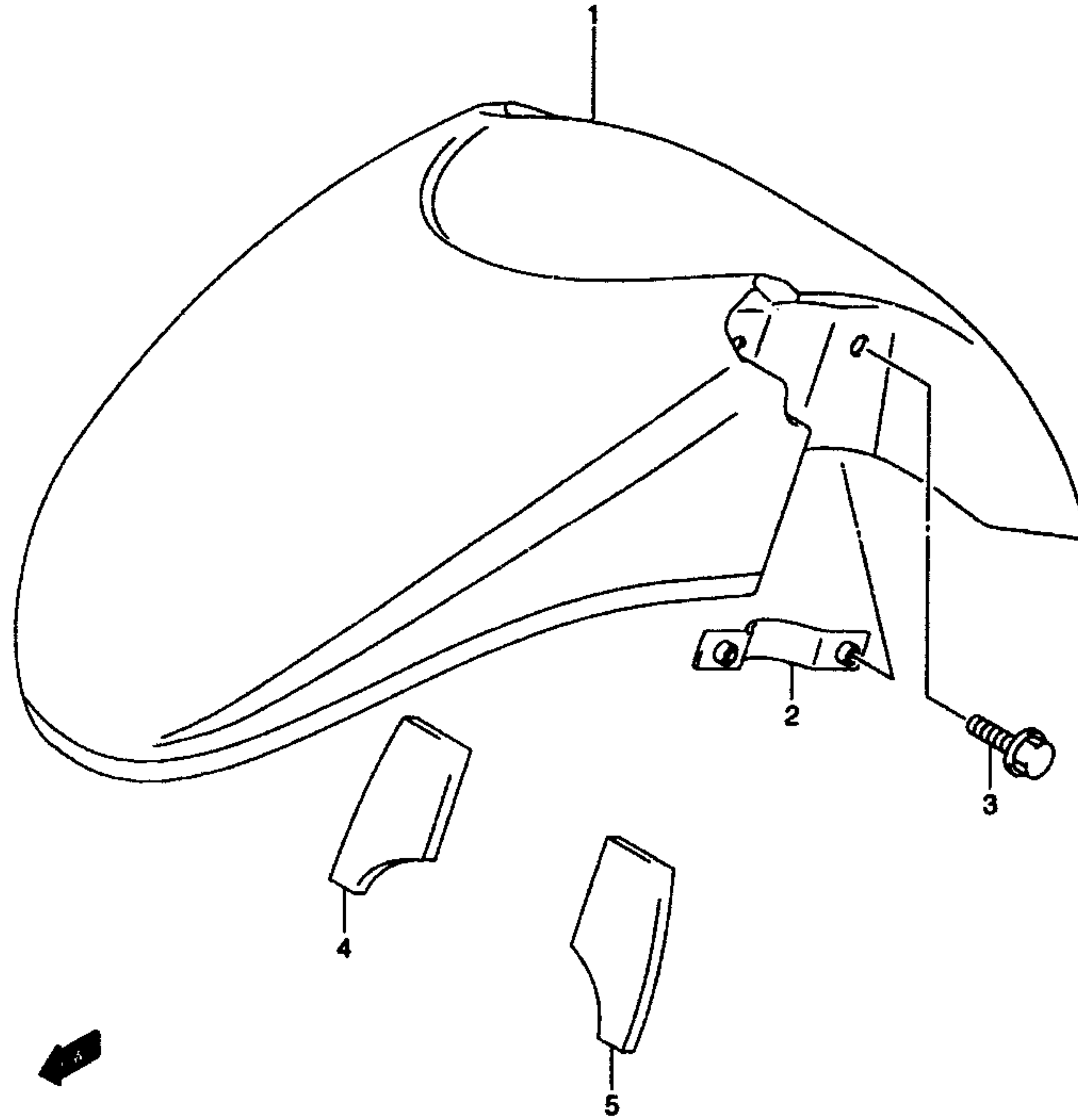
56 GSF1200, S K2 E3, E33

H7

AIR CLEANER.....	C-07	COWLING BODY.....	I-02	FRAME COVER.....	H-03	GASKET SET.....	B-02	OIL COOLER.....	C-09	SEAT TAIL COVER...	J-03	TRANSMISSION.....	D-04
ALTERNATOR.....	E-03	COWLING INSTALLATIO	I-04	FRAME.....	G-02	GEAR SHIFTING.....	D-06	OIL PAN.....	B-09	SEAT.....	J-02	TURN SIGNAL LAMP...	F-04
BATTERY.....	E-06	CRANKCASE COVER...	B-08	FRONT BRAKE HOSE...	K-04	HANDLE LEVER.....	H-10	OIL PUMP.....	B-10	SECOND AIR.....	C-10	WIRING HARNESS....	F-07
CAM CHAIN.....	C-03	CRANKCASE.....	B-06	FRONT CALPERS.....	K-03	HANDLE SWITCH.....	F-09	OPTIONAL.....	L-07	SIGNAL GENERATOR...	E-04		
CAM SHAFT / VALVE..	C-02	CRANKSHAFT.....	B-11	FRONT DAMPER.....	J-07	HANDLEBAR.....	H-09	REAR CALIPER.....	L-05	SPEEDOMETER.....	E-07		
CANISTER.....	H-02	CYLINDER HEAD CO/VER	B-03	FRONT FENDER.....	H-07	HEADLAMP HOUSING...	H-06	REAR CUSHION LEVER.	L-03	STAND.....	G-04		
CARBURETOR FITTING.	C-06	CYLINDER HEAD.....	B-04	FRONT MASTER CYLIND	K-05	HEADLAMP.....	F-02	REAR FENDER.....	H-11	STARTER CLUTCH....	B-12		
CARBURETOR.....	C-04	CYLINDER.....	B-05	FRONT WHEEL.....	K-02	LABEL.....	I-05	REAR MASTER CYLINDE	L-06	STARTING MOTOR....	E-02		
CLUTCH MASTER CYLIN	K-07	ELECTRICAL.....	E-05	FUEL COCK.....	G-09	MANUAL BOX.....	H-05	REAR SWINGING ARM..	L-02	STEERING STEM....	J-08		
CLUTCH.....	D-02	FOOTREST.....	G-05	FUEL TANK.....	G-07	MUFFLER.....	C-06	REAR WHEEL.....	L-04	TAIL LAMP.....	F-06		

**FIG.40A**

**Fig.40A ( H-8 ) FRONT FENDER (MODEL K2)**



Ref #	Part Number	Description	Qty	Remarks
1-1	53111-31F00-33J	FENDER, FRONT (BLACK)	1	
1-2	53111-31F00-Y7H	FENDER, FRONT (BLUE)	1	
1-3	53111-31F00-YD8	FENDER, FRONT (SILVER)	1	
2	53120-31F00	PLATE, FENDER	2	
3	01547-06357	BOLT	4	
4	53147-31F00	CUSHION, RH	1	
5	53148-31F00	CUSHION, LH	1	

GSF1200SK1 E03 E28\_040A  
FRONT FENDER

57 GSF1200, S K2 E3, E33

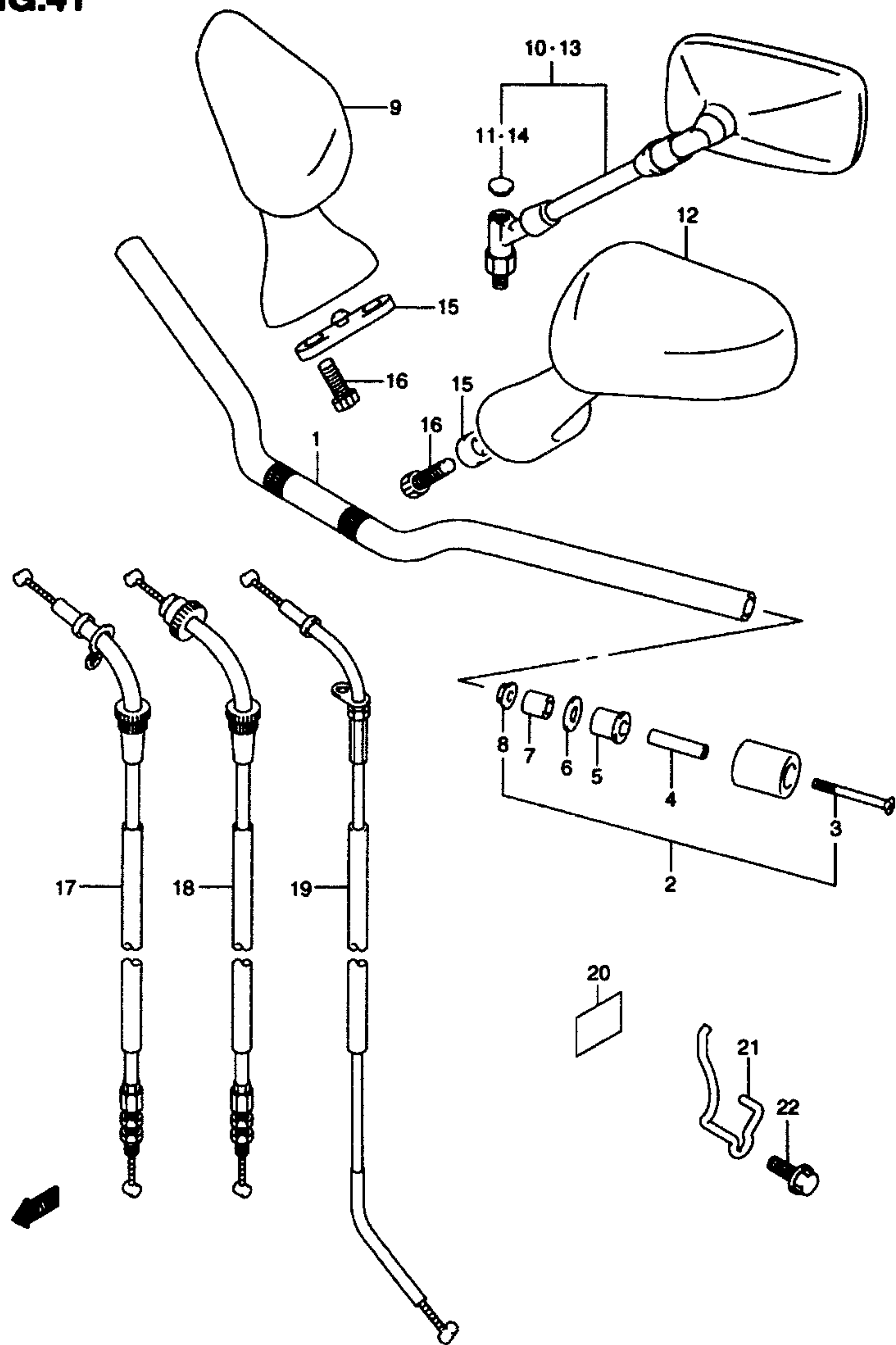
**H 8**

AIR CLEANER.....	C-07	COWLING BODY.....	I-02	FRAME COVER.....	H-03	GASKET SET.....	B-02	OIL COOLER.....	C-09	SEAT TAIL COVER.....	J-03	TRANSMISSION.....	D-04
ALTERNATOR.....	E-03	COWLING INSTALLATI	I-04	FRAME.....	G-02	GEAR SHIFTING.....	D-06	OIL PAN.....	B-09	SEAT.....	J-02	TURN SIGNAL LAMP...	F-04
BATTERY.....	E-08	CRANKCASE COVER...	B-08	FRONT BRAKE HOSE...	K-04	HANDLE LEVER.....	H-10	OIL PUMP.....	B-10	SECOND AIR.....	C-10	WIRING HARNESS.....	F-07
CAM CHAIN.....	C-03	CRANKCASE.....	B-08	FRONT CALIPERS.....	K-03	HANDLE SWITCH.....	F-09	OPTIONAL.....	L-07	SIGNAL GENERATOR...	E-04		
CAM SHAFT / VALVE..	C-02	CRANKSHAFT.....	B-11	FRONT DAMPER.....	J-07	HANDLEBAR.....	H-09	REAR CALIPER.....	L-05	SPEEDOMETER.....	E-07		
CANISTER.....	H-02	CYLINDER HEAD COVER	B-03	FRONT FENDER.....	H-07	HEADLAMP HOUSING...	H-06	REAR CUSHION LEVER	L-03	STAND.....	G-04		
CARBURETOR FITTING	C-06	CYLINDER HEAD.....	B-04	FRONT MASTER CYLIND	K-05	HEADLAMP.....	F-02	REAR FENDER.....	H-11	STARTER CLUTCH.....	B-12		
CARBURETOR.....	C-04	CYLINDER.....	B-05	FRONT WHEEL.....	K-02	LABEL.....	I-05	REAR MASTER CYLINDE	L-06	STARTING MOTOR.....	E-02		
CLUTCH MASTER CYLIN	K-07	ELECTRICAL.....	E-06	FUEL COCK.....	G-09	MANUAL BOX.....	H-05	REAR SWINGING ARM..	L-02	STEERING STEM.....	J-08		
CLUTCH.....	D-02	FOOTREST.....	G-06	FUEL TANK.....	G-07	MUFFLER.....	C-06	REAR WHEEL.....	L-04	TAIL LAMP.....	F-06		



FIG.41

Fig.41 ( H-9 ) HANDLEBAR



Ref #	Part Number	Description	Qty	Remarks
1	56111-32F00	HANDLEBAR	1	
2	56200-27061	BALANCER SET, HANDLEBAR	2	
3	09127-06021	.SCREW (6X125)	2	
4	56276-17D00	.SPACER, EXPANDER	2	
5	56272-19D00	.EXPANDER, HANDLE BALANCER	2	
6	08322-01063	.WASHER	2	
7	56272-43500	.EXPANDER, HANDLE	2	
8	09159-06024	.NUT	2	
9	56500-31F00	MIRROR ASSY, REAR VIEW RH	1	GSF1200SK1/SK2
10	56500-03F00	MIRROR ASSY, REAR VIEW RH	1	GSF1200K1/K2
11	56524-28600	.CAP	1	GSF1200K1/K2
12	56600-31F00	MIRROR ASSY, REAR VIEW LH	1	GSF1200SK1/SK2
13	56600-03F00	MIRROR ASSY, REAR VIEW LH	1	GSF1200K1/K2
14	56524-28600	.CAP	1	GSF1200K1/K2
15	94576-31F00	CUSHION, REAR VIEW MIRROR	2	GSF1200SK1/SK2
16	07130-06353	BOLT	4	GSF1200SK1/SK2
17	58300-32F00	CABLE ASSY, THROTTLE NO.1	1	
18	58300-32F10	CABLE ASSY, THROTTLE NO.2	1	
19	58410-32F00	CABLE, STARTER	1	
20	47261-48B00	PROTECTOR, FRAME COVER FRONT	1	
21	58622-31F00	GUIDE, CABLE	1	
22	01550-06163	BOLT	2	

GSF1200SK1 E03 E28\_041  
HANDLEBAR

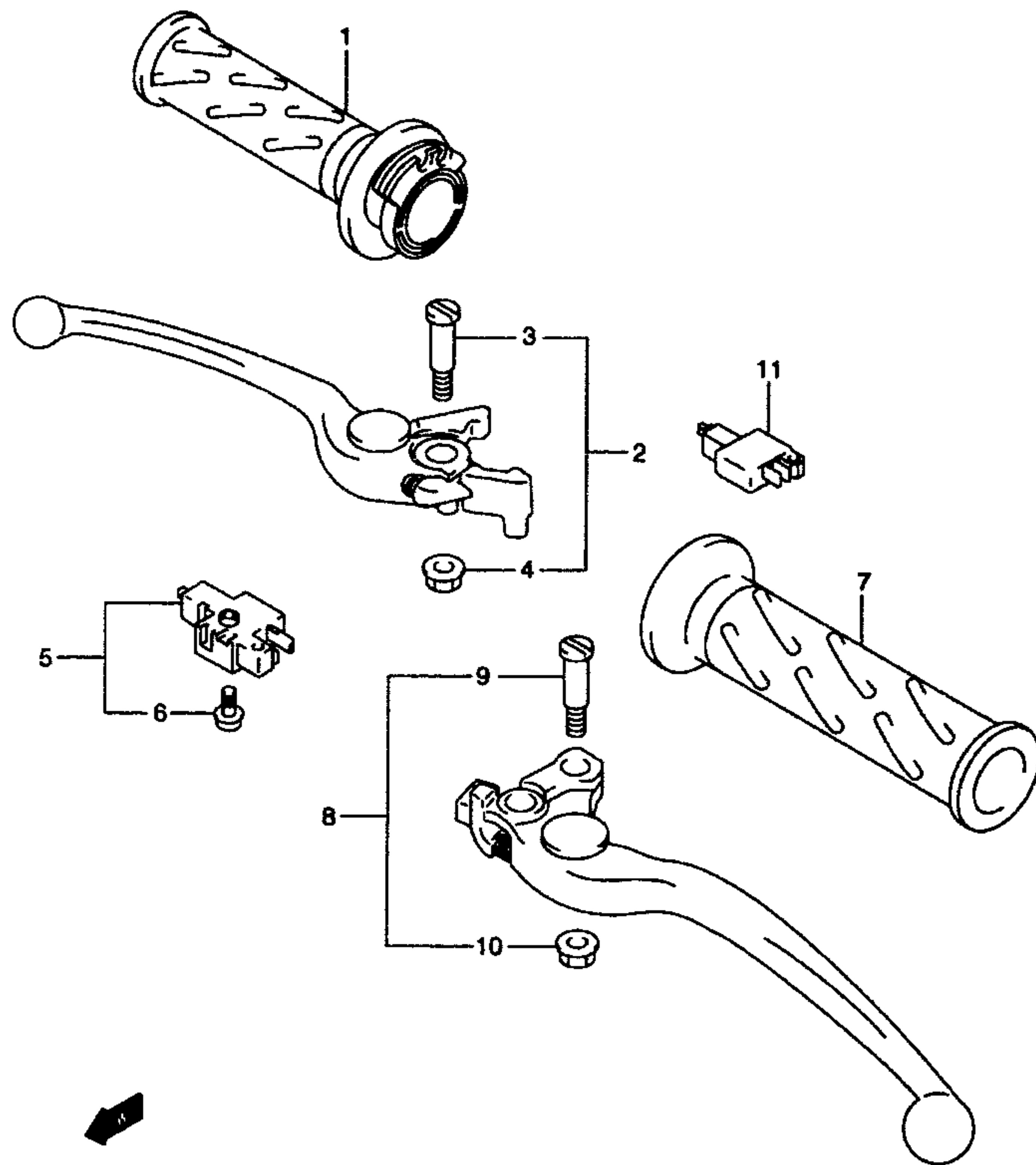
58 GSF1200, S K2 E3, E33

H 9

AIR CLEANER.....	C-07	COWLING BODY.....	I-02	FRAME COVER.....	H-03	GASKET SET.....	B-02	OIL COOLER.....	C-09	SEAT TAIL COVER.....	J-03	TRANSMISSION.....	D-04
ALTERNATOR.....	E-03	COWLING INSTALLATIO	I-04	FRAME.....	G-02	GEAR SHIFTING.....	D-08	OIL PAN.....	B-09	SEAT.....	J-02	TURN SIGNAL LAMP ..	F-04
BATTERY.....	E-08	CRANKCASE COVER...	B-08	FRONT BRAKE HOSE...	K-04	HANDLE LEVER.....	H-10	OIL PUMP.....	B-10	SECOND AIR.....	C-10	WIRING HARNESS .....	F-07
CAM CHAIN.....	C-03	CRANKCASE.....	B-08	FRONT CALIPERS.....	K-03	HANDLE SWITCH.....	F-09	OPTIONAL.....	L-07	SIGNAL GENERATOR...	E-04		
CAM SHAFT / VALVE..	C-02	CRANKSHAFT.....	B-11	FRONT DAMPER.....	J-07	HANDLEBAR.....	H-09	REAR CALIPER.....	L-06	SPEEDOMETER.....	E-07		
CANISTER.....	H-02	CYLINDER HEAD COVER	B-03	FRONT FENDER.....	H-07	HEADLAMP HOUSING...	H-08	REAR CUSHION LEVER..	L-03	STAND.....	G-04		
CARBURETOR FITTING.	C-06	CYLINDER HEAD.....	B-04	FRONT MASTER CYLIND	K-05	HEADLAMP.....	F-02	REAR FENDER.....	H-11	STARTER CLUTCH.....	B-12		
CARBURETOR.....	C-04	CYLINDER.....	B-05	FRONT WHEEL.....	K-02	LABEL.....	L-05	REAR MASTER CYLINDE	L-08	STARTING MOTOR.....	E-02		
CLUTCH MASTER CYLIN	K-07	ELECTRICAL.....	E-05	FUEL COCK.....	G-09	MANUAL BOX.....	H-05	REAR SWINGING ARM..	L-02	STEERING STEM.....	J-08		
CLUTCH.....	D-02	FOOTREST.....	G-05	FUEL TANK.....	G-07	MUFFLER.....	C-08	REAR WHEEL.....	L-04	TAIL LAMP.....	F-06		

FIG.42

Fig.42 ( H-10) HANDLE LEVER



Ref #	Part Number	Description	Qty	Remarks
1	57110-46E01	GRIP, THROTTLE	1	
2	57300-33E01	LEVER ASSY, BRAKE	1	
3	57431-17C00	.BOLT	1	
4	08316-10063	.NUT	1	
5	57460-17C00	SWITCH ASSY, STOP	1	
6	57465-17C00	.SCREW	1	
7	57211-22D01	GRIP, LH	1	
8	57500-24F00	LEVER ASSY, CLUTCH	1	
9	57431-17C00	.BOLT	1	
10	08316-10063	.NUT	1	
11	57560-02FA0	SWITCH ASSY, CLUTCH	1	

GSF1200SK1 E03 E28\_042  
HANDLE LEVER

59 GSF1200, S K2 E3, E33

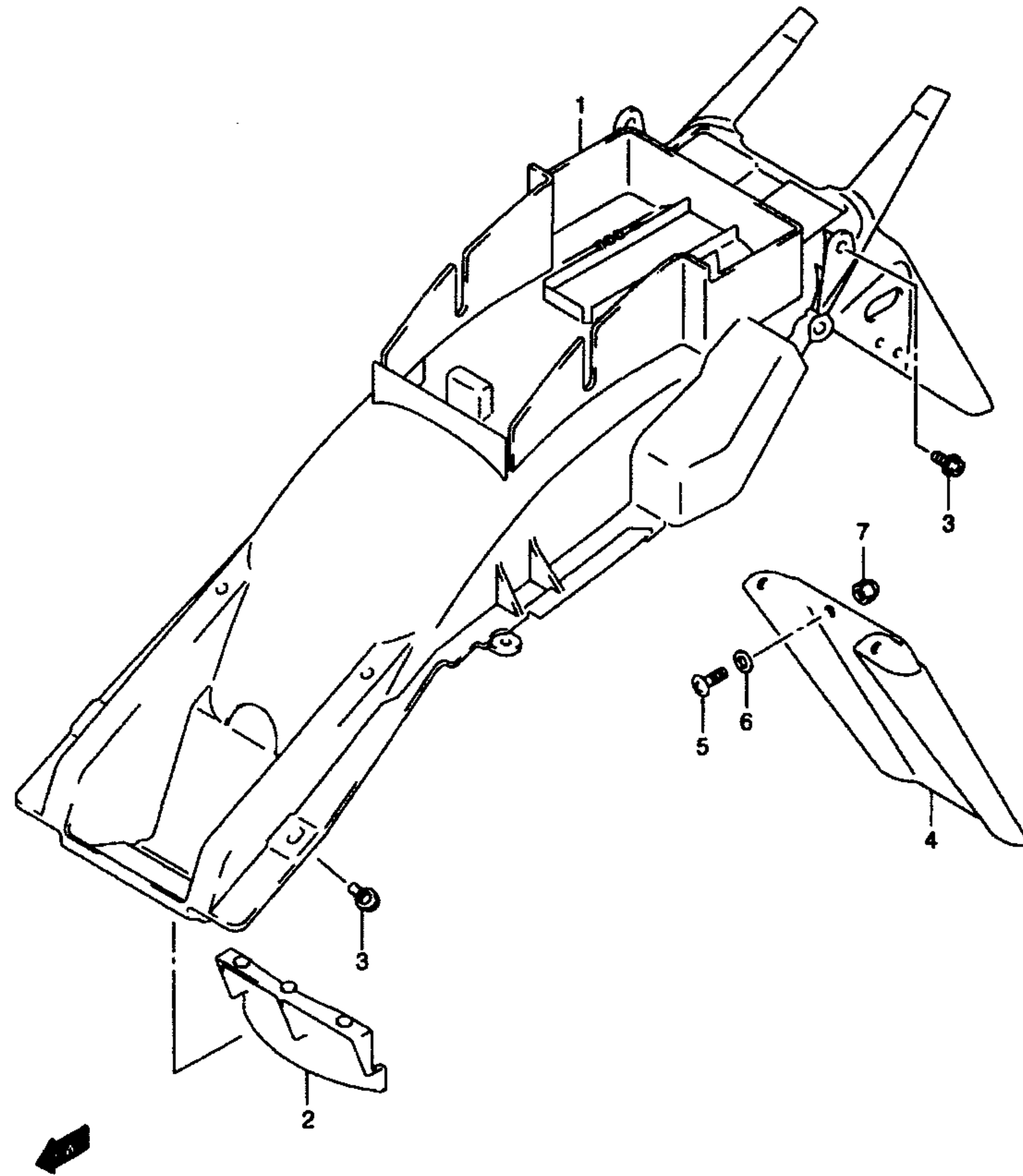
H 10

AIR CLEANER.....	C-07	COWLING BODY.....	H-02	FRAME COVER.....	H-03	GASKET SET.....	B-02	OIL COOLER.....	C-08	SEAT TAIL COVER.....	J-03	TRANSMISSION.....	D-04
ALTERNATOR.....	E-03	COWLING INSTALLATIO	H-04	FRAME.....	G-02	GEAR SHIFTING.....	D-06	OIL PAN.....	B-09	SEAT.....	J-02	TURN SIGNAL LAMP...	F-04
BATTERY.....	E-08	CRANKCASE COVER.....	B-08	FRONT BRAKE HOSE...	K-04	HANDLE LEVER.....	H-10	OIL PUMP.....	K-04	SECOND AIR.....	C-10	WIRING HARNESS.....	F-07
CAM CHAIN.....	C-03	CRANKCASE.....	B-08	FRONT CALIPERS.....	K-03	HANDLE SWITCH.....	F-09	OPTIONAL.....	L-07	SIGNAL G... FOR...	E-09		
CAM SHAFT / VALVE..	C-02	CRANKSHAFT.....	B-11	FRONT DAMPER.....	J-07	HANDLEBAR.....	H-09	REAR CALIPER.....	L-05	SPEEDO.....	L-07		
CANISTER.....	H-02	CYLINDER HEAD COVER	B-03	FRONT FENDER.....	H-07	HEADLAMP HOUSING...	H-08	REAR CUSHION LEVER..	L-03				
CARBURETOR FITTING.	C-08	CYLINDER HEAD.....	B-04	FRONT MASTER CYLIND	K-05	HEADLAMP.....	F-02	REAR FENDER.....	H-11				
CARBURETOR.....	C-04	CYLINDER.....	B-05	FRONT WHEEL.....	K-02	LABEL.....	I-05	REAR MASTER CYLINDE	L-06				
CLUTCH MASTER CYLIN	K-07	ELECTRICAL.....	E-05	FUEL COCK.....	G-09	MANUAL BOX.....	H-05	REAR SWINGING ARM..	L-02				
CLUTCH.....	D-02	FOOTREST.....	G-05	FUEL TANK.....	G-07	MUFFLER.....	C-08	REAR WHEEL.....	L-04				



**FIG.43**

**Fig.43 ( H-11) REAR FENDER**



Ref #	Part Number	Description	Qty	Remarks
1-1	63111-31F10	FENDER, REAR	1	GSF1200SK1/SK2
1-2	63111-31F30	FENDER, REAR	1	GSF1200K1/K2
2	63411-31F00	MUDGUARD, REAR FENDER	1	
3	09113-06001	BOLT	4	
4	63310-31F00	EXTENSION, REAR FENDER	1	GSF1200K1/K2
5	02142-06123	SCREW	2	GSF1200K1/K2
6	09160-06079	WASHER	2	GSF1200K1/K2
7	08313-10063	NUT	2	GSF1200K1/K2

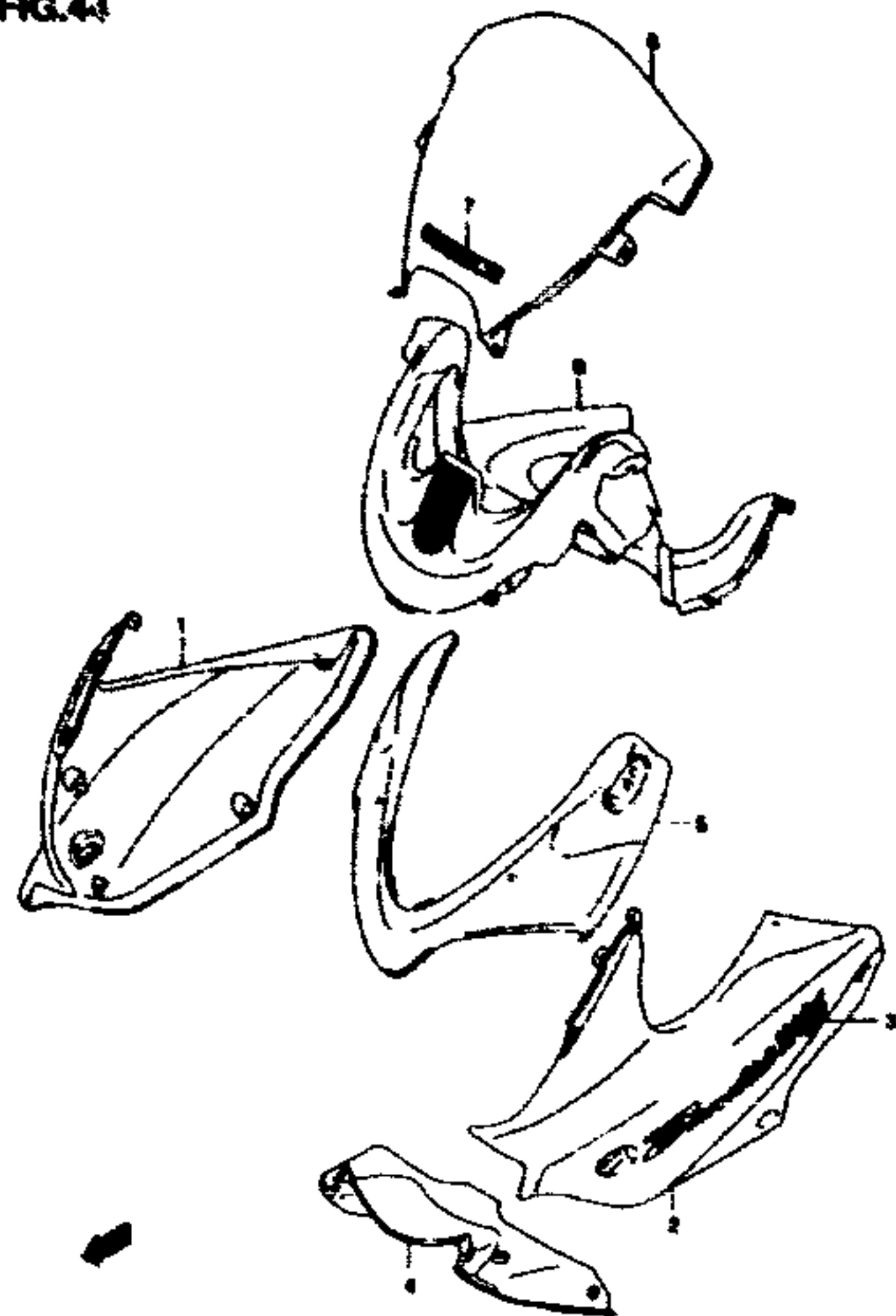
GSF1200SK1 E03 E28\_043  
REAR FENDER

60 GSF1200, S K2 E3, E33

H 11

AIR CLEANER.....	C-07	COWLING BODY.....	H-02	FRAME COVER.....	H-03	GASKET SET.....	B-02	OIL COOLER.....	C-08	SEAT TAIL COVER.....	J-03	TRANSMISSION.....	D-04
ALTERNATOR.....	E-03	COWLING INSTALLATIO	I-04	FRAME.....	G-02	GEAR SHIFTING.....	D-06	OIL PAN.....	B-09	SEAT.....	J-02	TURN SIGNAL LAMP...	F-04
BATTERY.....	E-08	CRANKCASE COVER.....	B-08	FRONT BRAKE HOSE...	K-04	HANDLE LEVER.....	H-10	OIL PUMP.....	B-10	SECOND AIR.....	C-10	WIRING HARNESS.....	F-07
CAM CHAIN.....	C-03	CRANKCASE.....	B-08	FRONT CALIPERS.....	K-03	HANDLE SWITCH.....	F-09	OPTIONAL.....	L-07	SIGNAL GENERATOR...	E-04		
CAM SHAFT / VALVE..	C-02	CRANKSHAFT.....	B-11	FRONT DAMPER.....	J-07	HANDLEBAR.....	H-09	REAR CALIPER.....	L-06	SPEEDOMETER.....	E-07		
CANISTER.....	H-02	CYLINDER HEAD COVER	B-03	FRONT FENDER.....	H-07	HEADLAMP HOUSING...	H-06	REAR CUSHION LEVER.	L-03	STAND.....	G-04		
CARBURETOR FITTING.	C-08	CYLINDER HEAD.....	B-04	FRONT MASTER CYLIND	K-05	HEADLAMP.....	F-02	REAR FENDER.....	H-11	STARTER CLUTCH.....	B-12		
CARBURETOR.....	C-04	CYLINDER.....	B-05	FRONT WHEEL.....	K-02	LABEL.....	L-05	REAR MASTER CYLINDE	L-06	STARTING MOTOR.....	E-02		
CLUTCH MASTER CYLIN	K-07	ELECTRICAL.....	E-05	FUEL COCK.....	G-09	MANUAL BOX.....	H-05	REAR SWINGING ARM..	L-02	STEERING STEM.....	J-08		
CLUTCH.....	D-02	FOOTREST.....	G-05	FUEL TANK.....	G-07	MUFFLER.....	C-06	REAR WHEEL.....	L-04	TAIL LAMP.....	F-06		

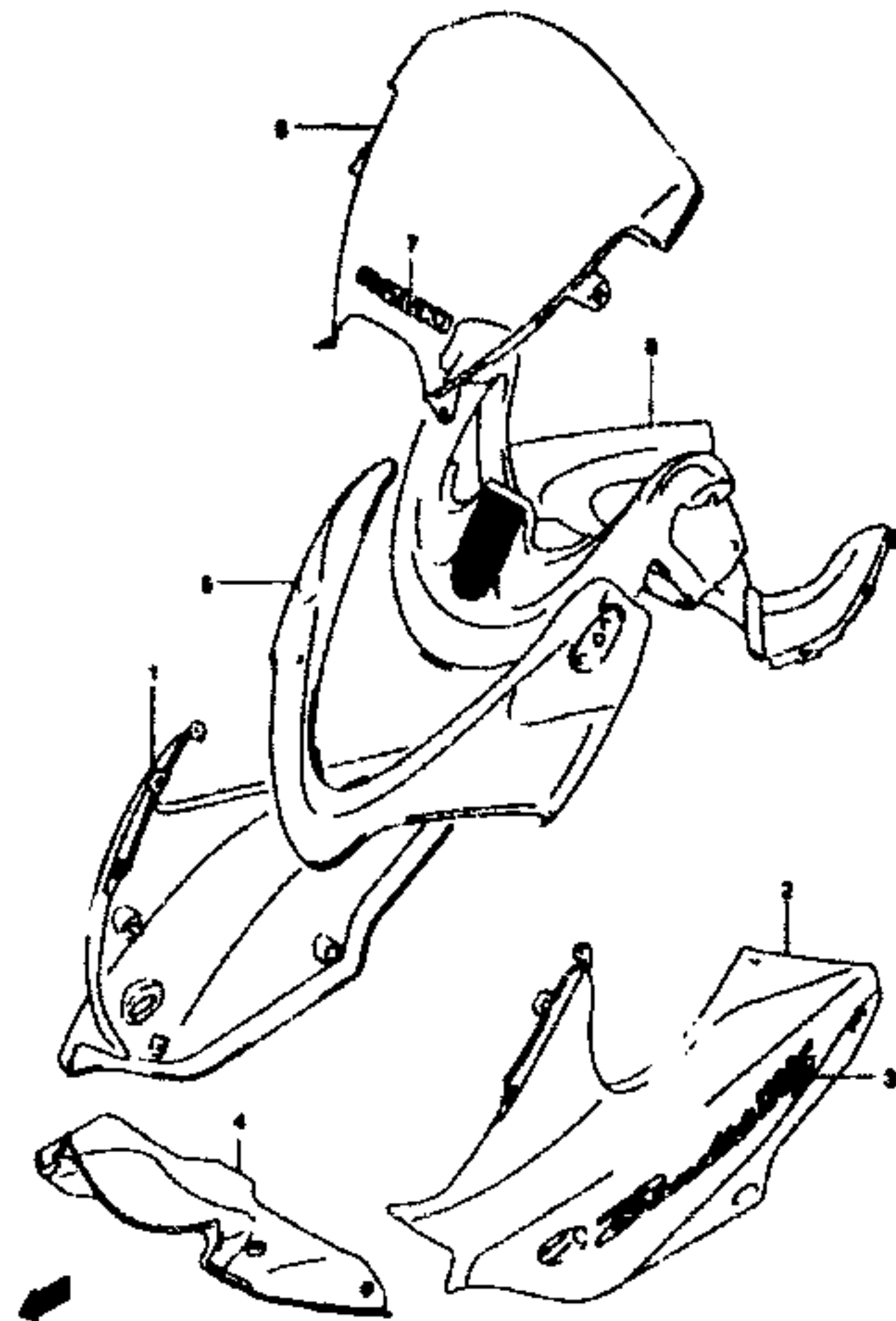
FIG.44



GSF1200SK1 E03 E28\_044  
COWLING BODY

12

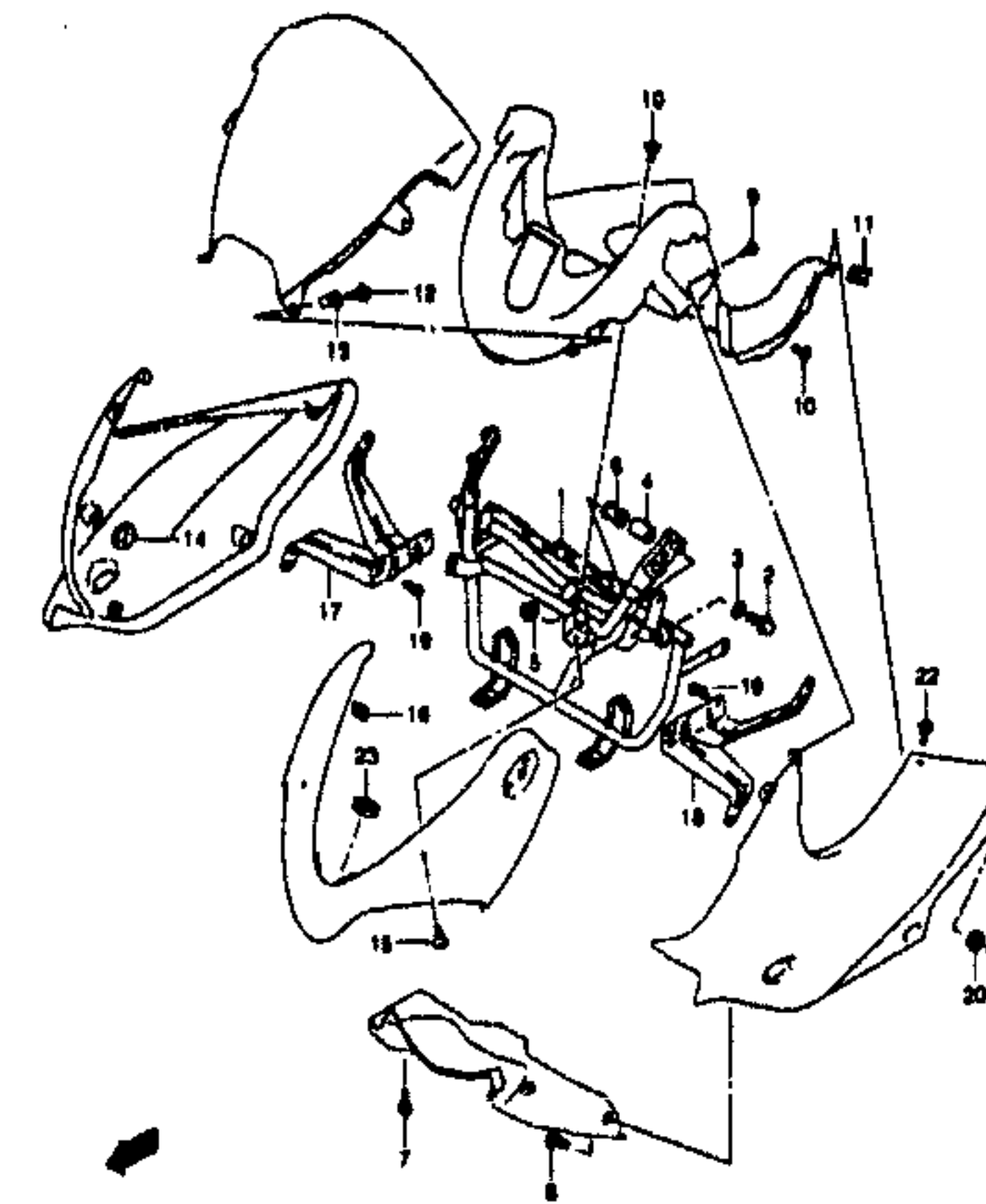
FIG.44A



GSF1200SK1 E03 E28\_044A  
COWLING BODY

13

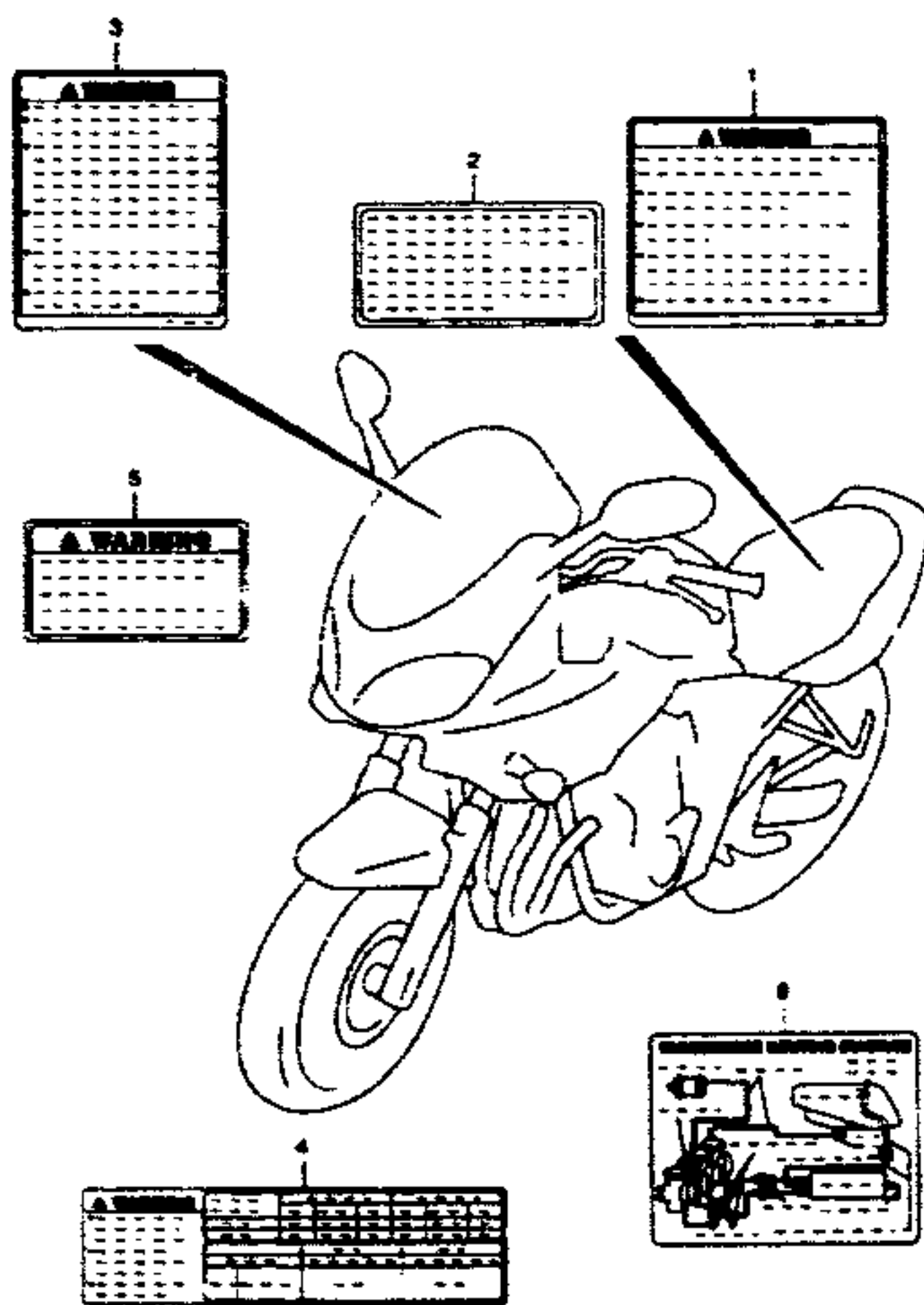
FIG.45



GSF1200SK1 E03 E28\_046  
INSTALLATION PARTS

14

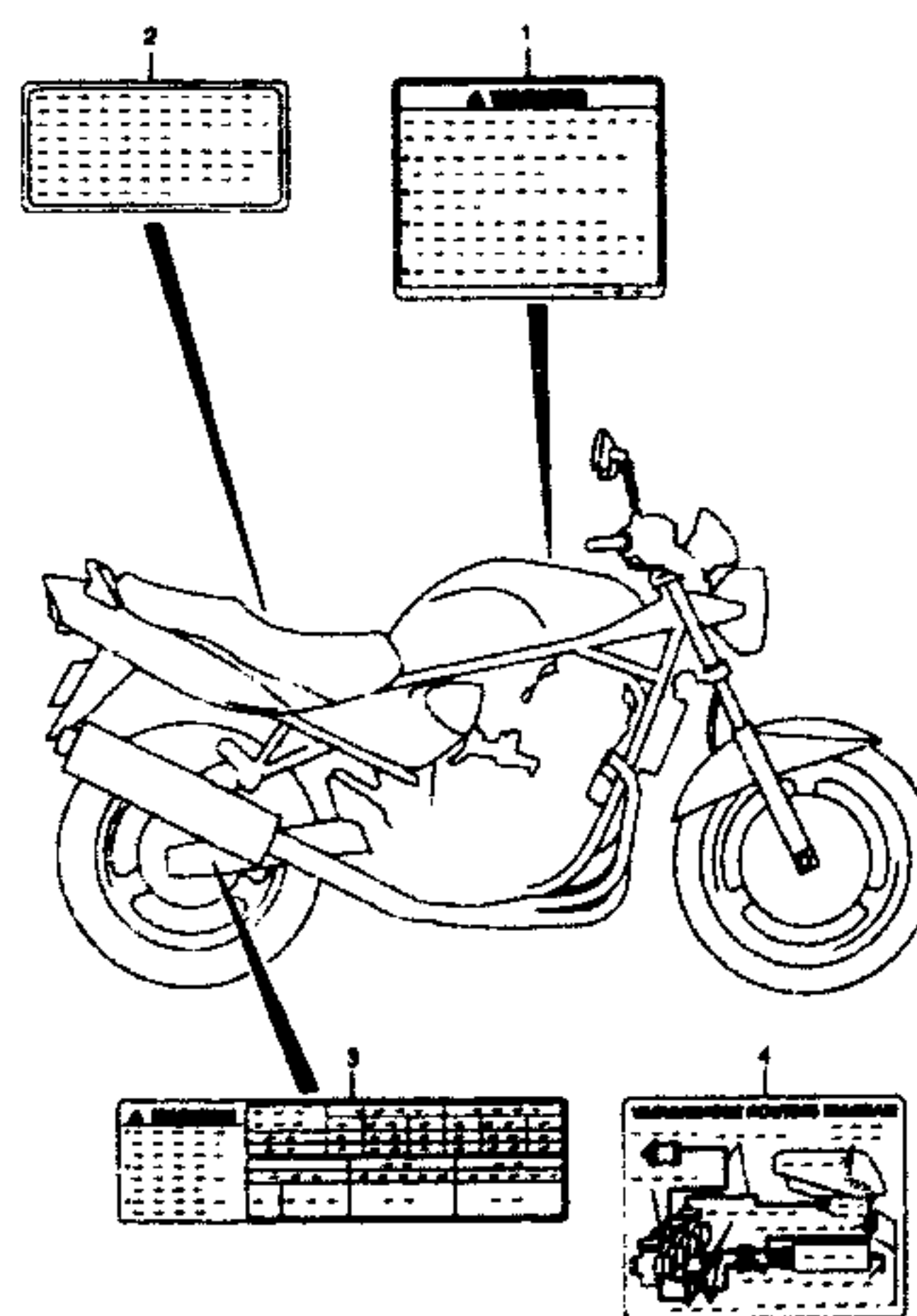
FIG.46



GSF1200SK1 E03 E28\_046  
LABEL

15

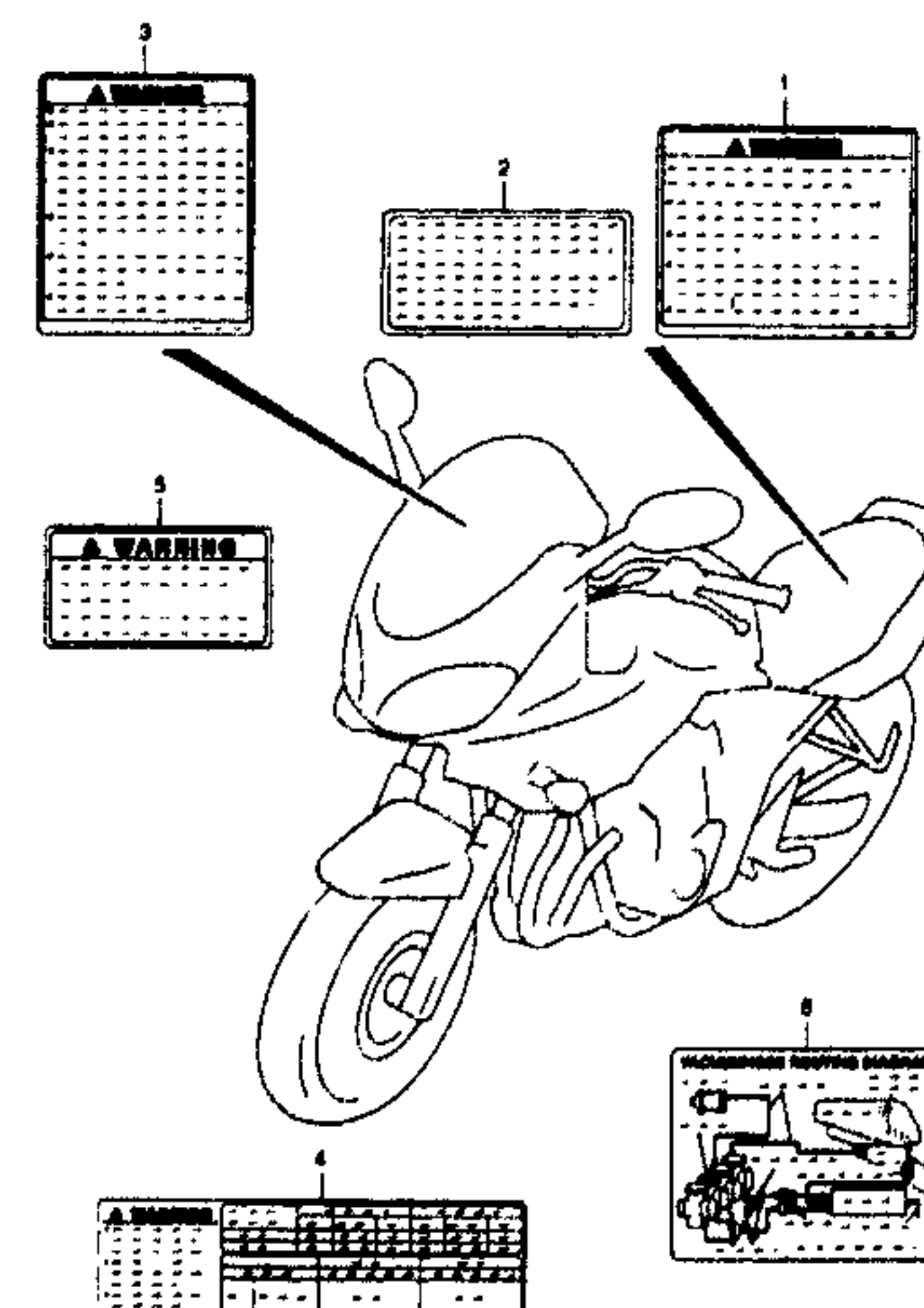
FIG.46A



GSF1200SK1 E03 E28\_046A  
LABEL

16

FIG.46B



GSF1200SK1 E03 E28\_046B  
LABEL

17

AIR CLEANER.....	C-07
ALTERNATOR.....	E-03
BATTERY.....	E-06
CAM CHAIN.....	C-03
CAM SHAFT / VALVE.....	C-02
CANISTER.....	H-02
CARBURETOR FITTING.....	C-06
CARBURETOR.....	C-04
CLUTCH MASTER CYLINDR.....	K-07
CLUTCH.....	D-02

COWLING BODY.....	L-02
COWLING INSTALLATION.....	L-04
CRANKCASE COVER.....	B-08
CRANKCASE.....	B-06
CRANKSHAFT.....	B-11
CYLINDER HEAD COVER.....	B-03
CYLINDER HEAD.....	B-04
CYLINDER.....	B-05
ELECTRICAL.....	E-05
FOOTREST.....	G-05

FRAME COVER.....	H-03
FRAME.....	G-02
FRONT BRAKE HOSE.....	K-04
FRONT CALIPERS.....	K-03
FRONT DAMPER.....	J-07
FRONT FENDER.....	H-07
FRONT MASTER CYLINDER.....	K-05
FRONT WHEEL.....	K-02
FUEL COCK.....	G-09
FUEL TANK.....	G-07

GASKET SET.....	B-02
GEAR SHIFTING.....	D-08
HANDLE LEVER.....	H-10
HANDLE SWITCH.....	F-09
HANDLEBAR.....	H-09
HEADLAMP HOUSING.....	H-05
HEADLAMP.....	F-02
LABEL.....	I-05
MANUAL BOX.....	H-05
MUFFLER.....	C-08

OIL COOLER.....	C-09
OIL PAN.....	B-09
OIL PUMP.....	B-10
OPTIONAL.....	L-07
REAR CALIPER.....	L-05
REAR CUSHION LEVER.....	L-03
REAR FENDER.....	H-11
REAR MASTER CYLINDER.....	L-06
REAR SWINGING ARM.....	L-02
REAR WHEEL.....	L-04

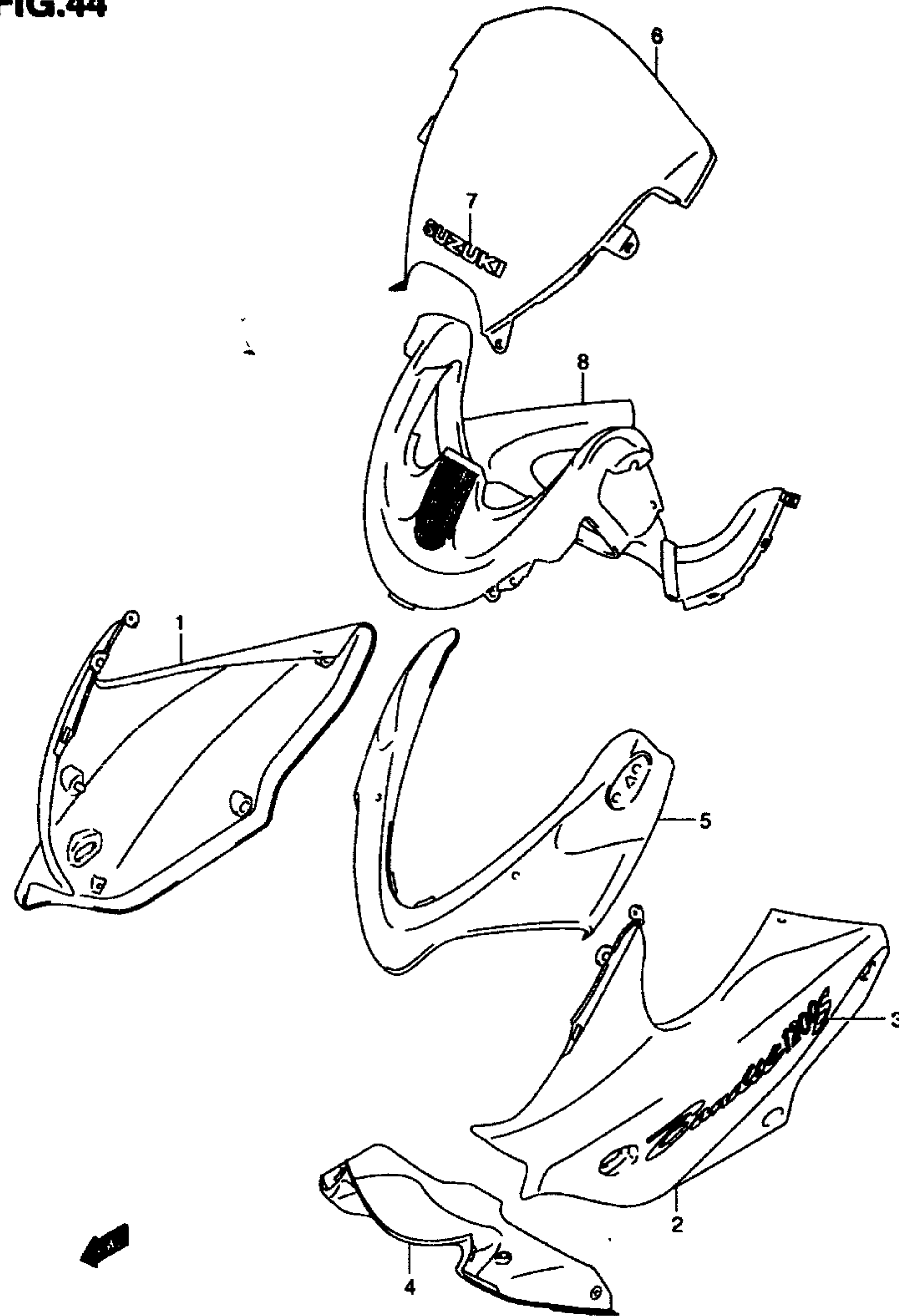
SEAT TAIL COVER.....	J-01
SEAT.....	J-02
SECOND AIR.....	C-10
SIGNAL GENERATOR.....	E-04
SPEEDOMETER.....	E-07
STAND.....	G-04
STARTER CLUTCH.....	B-12
STARTING MOTOR.....	E-02
STEERING STEM.....	J-08
TAIL LAMP.....	F-06

TRANSMISSION.....	D-04
TURN SIGNAL LAMP.....	F-04
WIRING HARNESS.....	F-07



FIG.44

Fig.44 ( I-2 ) COWLING BODY (GSF1200SK1)



Ref #	Part Number	Description	Qty	Remarks
1-1	94401-32F00-33J	COWL ASSY, SIDE RH (BLACK)	1	GSF1200SK1 E28 GSF1200K1 E3,E33
1-2	94401-32F10-YC6	COWL ASSY, SIDE RH (RED)	1	
1-3	94401-32F10-YD8	COWL ASSY, SIDE RH (SILVER)	1	GSF1200SK1 E3,E33
2-1	94402-32F00-33J	COWL ASSY, SIDE LH (BLACK)	1	GSF1200SK1 E28 GSF1200K1 E3,E33
2-2	94402-32F10-YC6	COWL ASSY, SIDE LH (RED)	1	
2-3	94402-32F10-YD8	COWL ASSY, SIDE LH (SILVER)	1	GSF1200SK1 E3,E33
3-1	68681-32F00-DL4	.EMBLEM, SIDE	2	FOR 33J
3-2	68681-32F00-DL6	.EMBLEM, SIDE	2	FOR YC6
3-3	68681-32F00-DL7	.EMBLEM, SIDE	2	FOR YD8
4-1	94430-31F00-33J	COWLING, CENTER (BLACK)	1	GSF1200SK1 E28 GSF1200K1 E3,E33
4-2	94430-31F00-YC6	COWLING, CENTER (RED)	1	
4-3	94430-31F00-YD8	COWLING, CENTER (SILVER)	1	GSF1200SK1 E3,E33
5	94440-31F00-35W	COWLING, FRONT (GRAY)	1	
6	94600-31F00-13L	WINDSCREEN ASSY (SILVER)	1	
7	68280-02F00-13L	.EMBLEM (SILVER)	1	
8	94640-31F01	PANEL, METER	1	

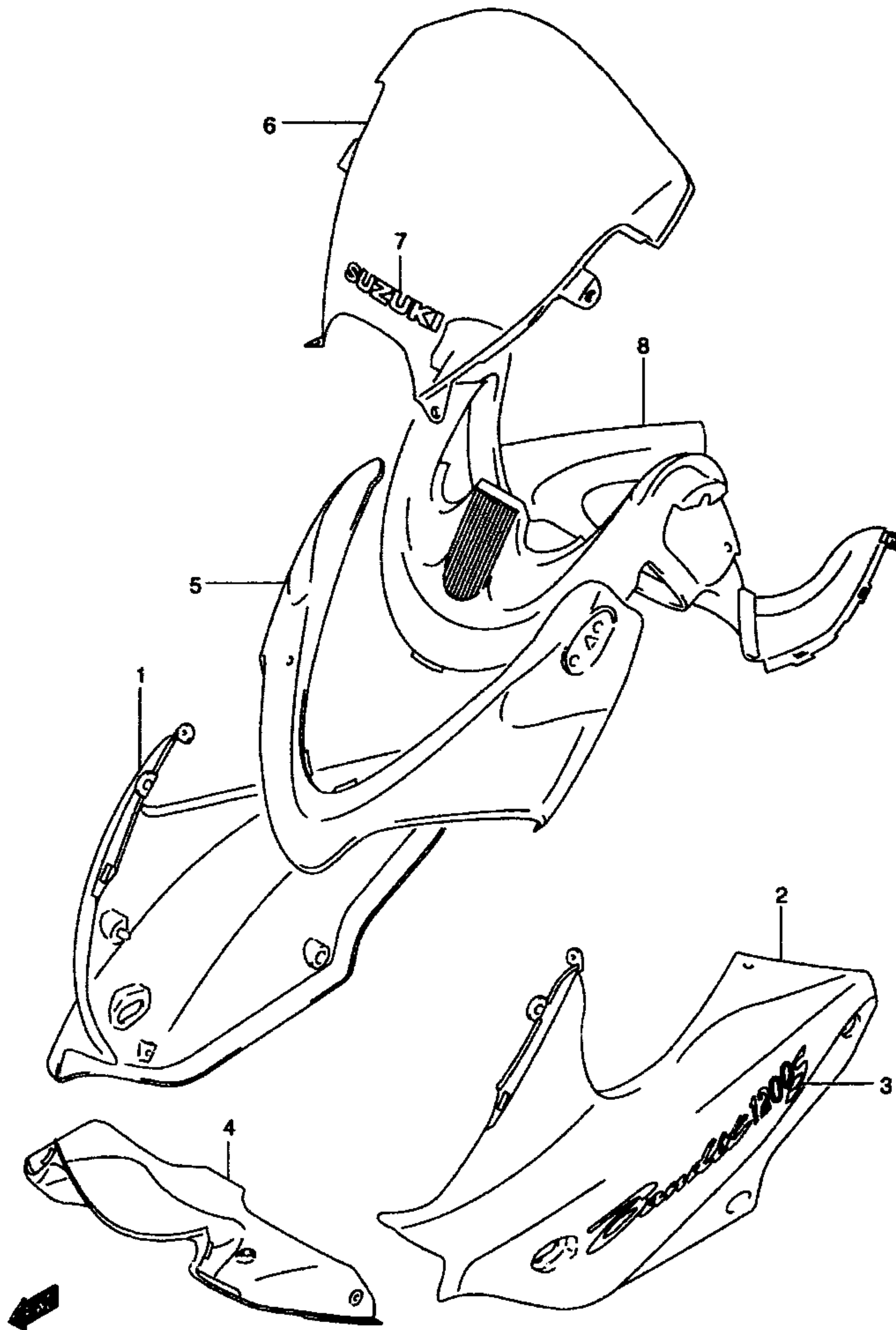
GSF1200SK1 E03 E28\_044  
COWLING BODY

61 GSF1200, S K2 E3, E33

AIR CLEANER.....	C-07	COWLING BODY.....	I-02	FRAME COVER.....	H-03	GASKET SET.....	B-02	OIL COOLER.....	C-09	SEAT TAIL COVER.....	J-03	TRANSMISSION.....	D-04
ALTERNATOR.....	E-03	COWLING INSTALLATIO	I-04	FRAME.....	G-02	GEAR SHIFTING.....	D-08	OIL PAN.....	B-09	SEAT.....	J-02	TURN SIGNAL LAMP...	F-04
BATTERY.....	E-08	CRANKCASE COVER.....	B-08	FRONT BRAKE HOSE...	K-04	HANDLE LEVER.....	H-10	OIL PUMP.....	B-10	SECOND AIR.....	C-10	WIRING HARNESS.....	F-07
CAM CHAIN.....	C-03	CRANKCASE.....	B-08	FRONT CALIPERS.....	K-03	HANDLE SWITCH.....	F-09	OPTIONAL.....	L-07	SIGNAL GENERATOR...	E-04		
CAM SHAFT / VALVE...	C-02	CRANKSHAFT.....	B-11	FRONT DAMPER.....	J-07	HANDLEBAR.....	H-09	REAR CALIPER.....	L-05	SPEEDOMETER.....	E-07		
CANISTER.....	H-02	CYLINDER HEAD COVER	B-03	FRONT FENDER.....	H-07	HEADLAMP HOUSING...	H-08	REAR CUSHION LEVER...	L-03	STAND.....	G-04		
CARBURETOR FITTING...	C-06	CYLINDER HEAD.....	B-04	FRONT MASTER CYLIND	K-05	HEADLAMP.....	F-02	REAR FENDER.....	H-11	STARTER CLUTCH.....	B-12		
CARBURETOR.....	C-04	CYLINDER.....	B-05	FRONT WHEEL.....	K-02	LABEL.....	I-05	REAR MASTER CYLINDE	L-06	STARTING MOTOR.....	E-02		
CLUTCH MASTER CYLIN	K-07	ELECTRICAL.....	E-05	FUEL COCK.....	G-09	MANUAL BOX.....	H-05	REAR SWINGING ARM...	L-02	STEERING STEM.....	J-08		
CLUTCH.....	D-02	FOOTREST.....	G-05	FUEL TANK.....	G-07	MUFFLER.....	C-08	REAR WHEEL.....	L-04	TAIL LAMP.....	F-06		

FIG.44A

Fig.44A ( I-3 ) COWLING BODY (GSF1200SK2)



Ref #	Part Number	Description	Qty	Remarks
1-1	94401-32F00-YJX	COWL ASSY, SIDE RH (BLACK)	1	
1-2	94401-32F00-YWX	COWL ASSY, SIDE RH (BLUE)	1	
1-3	94401-32F10-YUX	COWL ASSY, SIDE RH (SILVER)	1	
2-1	94402-32F00-YJX	COWL ASSY, SIDE LH (BLACK)	1	
2-2	94402-32F00-YWX	COWL ASSY, SIDE LH (BLUE)	1	
2-3	94402-32F10-YUX	COWL ASSY, SIDE LH (SILVER)	1	
3-1	68681-32F00-GW2	.EMBLEM, SIDE	2	FOR YJX
3-2	68681-32F00-HG8	.EMBLEM, SIDE	2	FOR YWX
3-3	68681-32F00-GW3	.EMBLEM, SIDE	2	FOR YUX
4-1	94430-31F00-33J	COWLING, CENTER (BLACK)	1	
4-2	94430-31F00-Y7H	COWLING, CENTER (BLUE)	1	
4-3	94430-31F00-YD8	COWLING, CENTER (SILVER)	1	
5	94440-31F00-Y7L	COWLING, FRONT (BLACK)	1	
6	94600-31F01-13L	WINDSCREEN ASSY (SILVER)	1	
7	68280-02F00-13L	.EMBLEM (SILVER)	1	
8	94640-31F02	PANEL, METER	1	

GSF1200SK1 E03 E28\_044A  
COWLING BODY

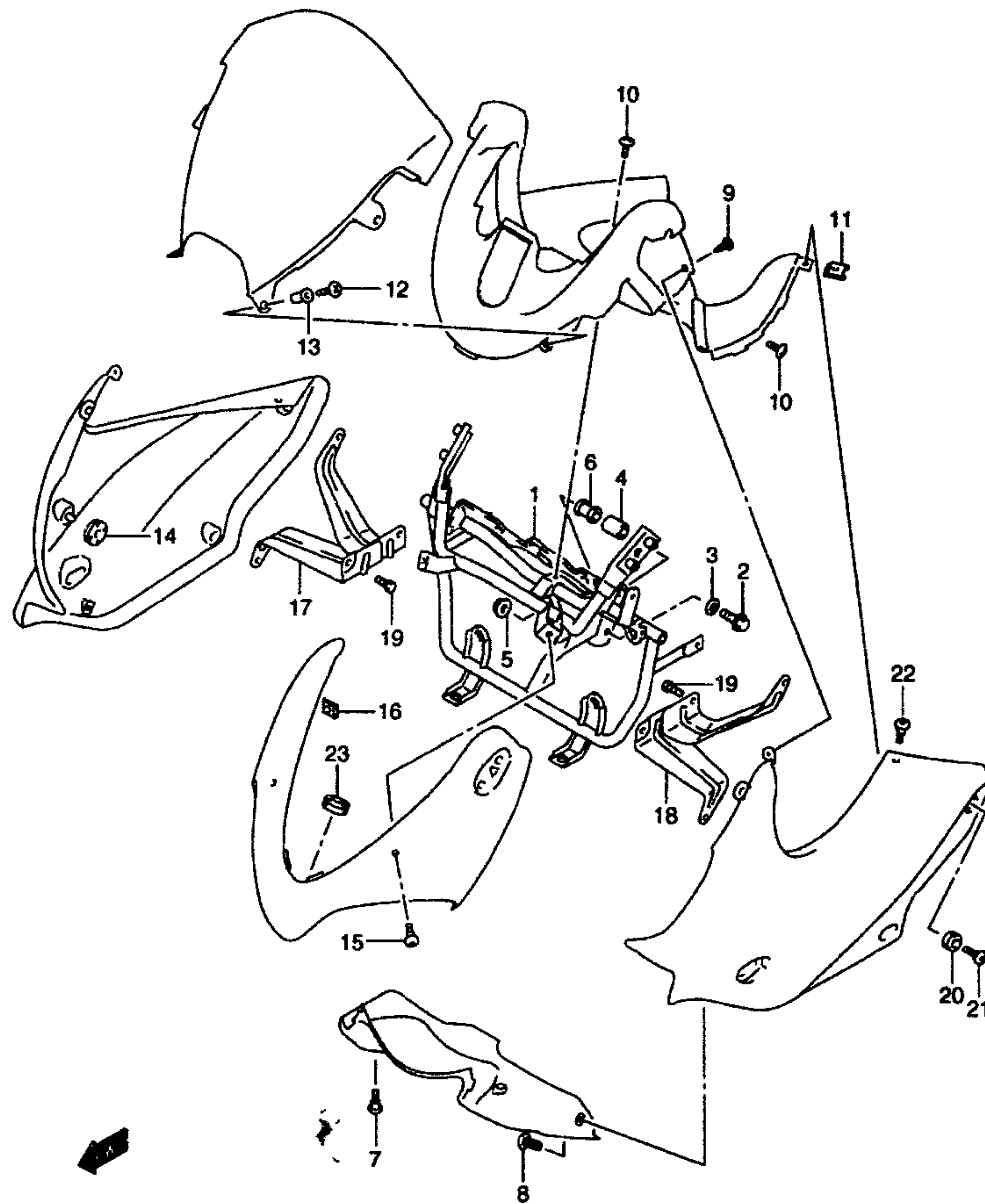
62 GSF1200, S K2 E3, E33

AIR CLEANER.....	C-07	COWLING BODY.....	I-02	FRAME COVER.....	H-03	GASKET SET.....	B-02	OIL COOLER.....	C-09	SEAT TAIL COVER...	J-03	TRANSMISSION.....	D-04
ALTERNATOR.....	E-03	COWLING INSTALLATIO	I-04	FRAME.....	G-02	GEAR SHIFTING.....	D-08	OIL PAN.....	B-09	SEAT.....	J-02	TURN SIGNAL LAMP...	F-04
BATTERY.....	E-06	CRANKCASE COVER...	B-08	FRONT BRAKE HOSE...	K-04	HANDLE LEVER.....	H-10	OIL PUMP.....	B-10	SECOND AIR.....	C-10	WIRING HARNESS....	F-07
CAM CHAIN.....	C-03	CRANKCASE.....	B-08	FRONT CALIPERS.....	K-03	HANDLE SWITCH.....	F-09	OPTIONAL.....	L-07	SIGNAL GENERATOR...	E-04		
CAM SHAFT / VALVE..	C-02	CRANKSHAFT.....	B-11	FRONT DAMPER.....	J-07	HANDLEBAR.....	H-09	REAR CALIPER.....	L-05	SPEEDOMETER.....	E-07		
CANISTER.....	H-02	CYLINDER HEAD COVER	B-03	FRONT FENDER.....	H-07	HEADLAMP HOUSING...	H-06	REAR CUSHION LEVER	L-03	STAND.....	G-04		
CARBURETOR FITTING	C-06	CYLINDER HEAD.....	B-04	FRONT MASTER CYLIND	K-05	HEADLAMP.....	F-02	REAR FENDER.....	H-11	STARTER CLUTCH....	B-12		
CARBURETOR.....	C-04	CYLINDER.....	B-05	FRONT WHEEL.....	K-02	LABEL.....	L-05	REAR MASTER CYLINDE	L-06	STARTING MOTOR....	E-02		
CLUTCH MASTER CYLIN	K-07	ELECTRICAL.....	E-05	FUEL COCK.....	G-09	MANUAL BOX.....	H-05	REAR SWINGING ARM..	L-02	STEERING STEM....	J-08		
CLUTCH.....	D-02	FOOTREST.....	G-05	FUEL TANK.....	G-07	MUFFLER.....	C-08	REAR WHEEL.....	L-04	TAIL LAMP.....	F-06		



FIG.45

Fig.45 ( I-4 ) COWLING INSTALLATION PARTS (GSF1200SK1/SK2)



Ref #	Part Number	Description	Qty	Remarks
1	94510-32F00	BRACE, COWLING	1	
2	09103-08367	BOLT	2	
3	09164-08020	WASHER	2	
4	09180-08166	SPACER	1	
5	08313-20083	NUT	1	
6	94561-32F00	CUSHION, BRACE	1	
7	09139-05054	SCREW, CENTER COWL	2	
8	09409-06314-5PK	CLIP, SIDE (BLACK)	4	
9	03241-05163	SCREW, PANEL UPPER	2	
10	02142-05123	SCREW	3	
11	94484-24F00	NUT, PANEL	2	
12	02142-15163	SCREW, SCREEN	2	
13	09159-05019	NUT, SCREEN	2	
14	09320-08028	CUSHION, HEADLAMP	1	
15	09139-05055	SCREW, FRONT COWL	2	
16	09148-05038	NUT, UPPER	2	
17	94540-32F00	BRACKET, SIDE COWL RH	1	
18	94550-32F00	BRACKET, SIDE COWL LH	1	
19	01500-06103	BOLT, BRACKET	4	
20	09320-09016	CUSHION, SIDE COWL	4	
21	09139-06087	SCREW, SIDE COWL	4	
22	09139-05054	SCREW, SIDE COWL UPPER	4	
23	09320-08028	CUSHION, CENTER	2	
24	09148-05038	NUT, LOWER	4	

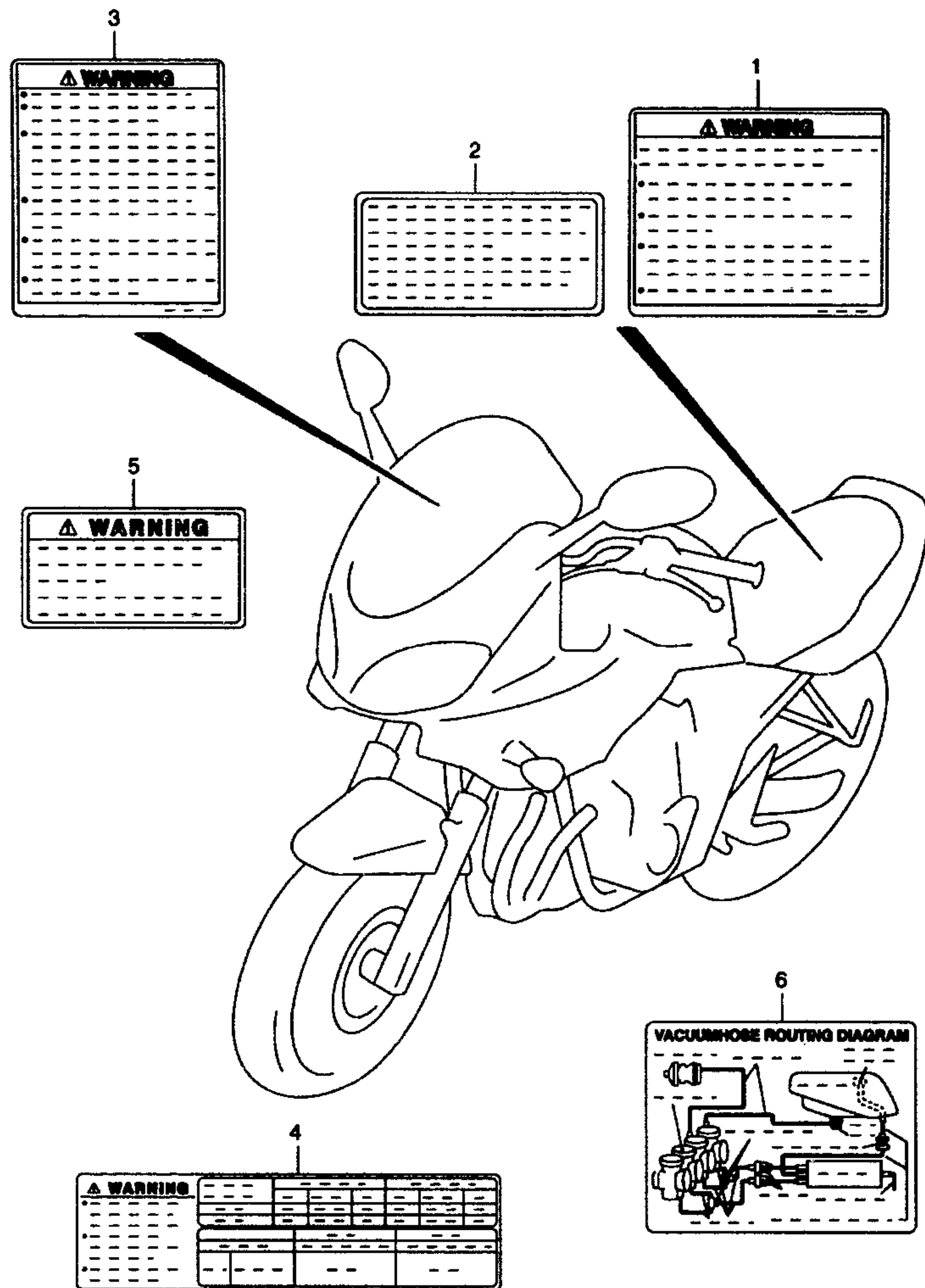
GSF1200SK1 E03 E28\_045  
INSTALLATION PARTS

63 GSF1200, S K2 E3, E33

AIR CLEANER.....	C-07	COWLING BODY.....	I-02	FRAME COVER.....	H-03	GASKET SET.....	B-02	OIL COOLER.....	C-09	SEAT TAIL COVER.....	J-03	TRANSMISSION.....	D-04
ALTERNATOR.....	E-03	COWLING INSTALLATIO	I-04	FRAME.....	G-02	GEAR SHIFTING.....	D-06	OIL PAN.....	B-09	SEAT.....	J-02	TURN SIGNAL LAMP.....	F-04
BATTERY.....	E-06	CRANKCASE COVER.....	B-08	FRONT BRAKE HOSE.....	K-04	HANDLE LEVER.....	H-10	OIL PUMP.....	B-10	SECOND AIR.....	C-10	WIRING HARNESS.....	F-07
CAM CHAIN.....	C-03	CRANKCASE.....	B-06	FRONT CALIPERS.....	K-03	HANDLE SWITCH.....	F-09	OPTIONAL.....	L-07	SIGNAL GENERATOR.....	E-04		
CAM SHAFT / VALVE.....	C-02	CRANKSHAFT.....	B-11	FRONT DAMPER.....	J-07	HANDLEBAR.....	H-09	REAR CALIPER.....	L-06	SPEEDOMETER.....	E-07		
CANISTER.....	H-02	CYLINDER HEAD COVER	B-03	FRONT FENDER.....	H-07	HEADLAMP HOUSING...	H-08	REAR CUSHION LEVER...	L-03	STAND.....	G-04		
CARBURETOR FITTING...	C-06	CYLINDER HEAD.....	B-04	FRONT MASTER CYLIND	K-05	HEADLAMP.....	F-02	REAR FENDER.....	H-11	STARTER CLUTCH.....	B-12		
CARBURETOR.....	C-04	CYLINDER.....	B-05	FRONT WHEEL.....	K-02	LABEL.....	I-05	REAR MASTER CYLINDE	L-08	STARTING MOTOR.....	E-02		
CLUTCH MASTER CYLIN	K-07	ELECTRICAL.....	E-05	FUEL COCK.....	G-09	MANUAL BOX.....	H-05	REAR SWINGING ARM...	L-02	STEERING STEM.....	J-08		
CLUTCH.....	D-02	FOOTREST.....	G-05	FUEL TANK.....	G-07	MUFFLER.....	C-08	REAR WHEEL.....	L-04	TAIL LAMP.....	F-06		

FIG.46

Fig.46 ( I-5 ) LABEL (GSF1200SK1)



Ref #	Part Number	Description	Qty	Remarks
1-1	68319-33E01	LABEL, WARNING SAFETY	1	E3,E33
1-2	68319-33E11	LABEL, WARNING SAFETY	1	E28
2	68353-26E01	LABEL, MANUAL NOTICE	1	E3,E33
3-1	68922-14F00	LABEL, SCREEN	1	E3,E28,E33
3-2	68922-14F30	LABEL, SCREEN	1	E28
4-1	68332-32F20	LABEL, TIRE INFORMATION	1	E3,E33
4-2	68332-32F00	LABEL, TIRE INFORMATION	1	E28
5-1	68613-18E00	LABEL, WARNING STEERING	1	E3,E33
5-2	68613-24F00	LABEL, WARNING STEERING	1	E28
6	68387-32F00	LABEL, ROUTING	1	E33
7-1	99011-31F60-03A	MANUAL, OWNER'S	1	E3,E33
7-2	99011-31F60-01A	MANUAL, OWNER'S	1	E28
7-3	99011-31F60-01F	MANUAL, OWNER'S	1	E28
7-3	99011-31F60-01F			DRAWING NOT SHOWN

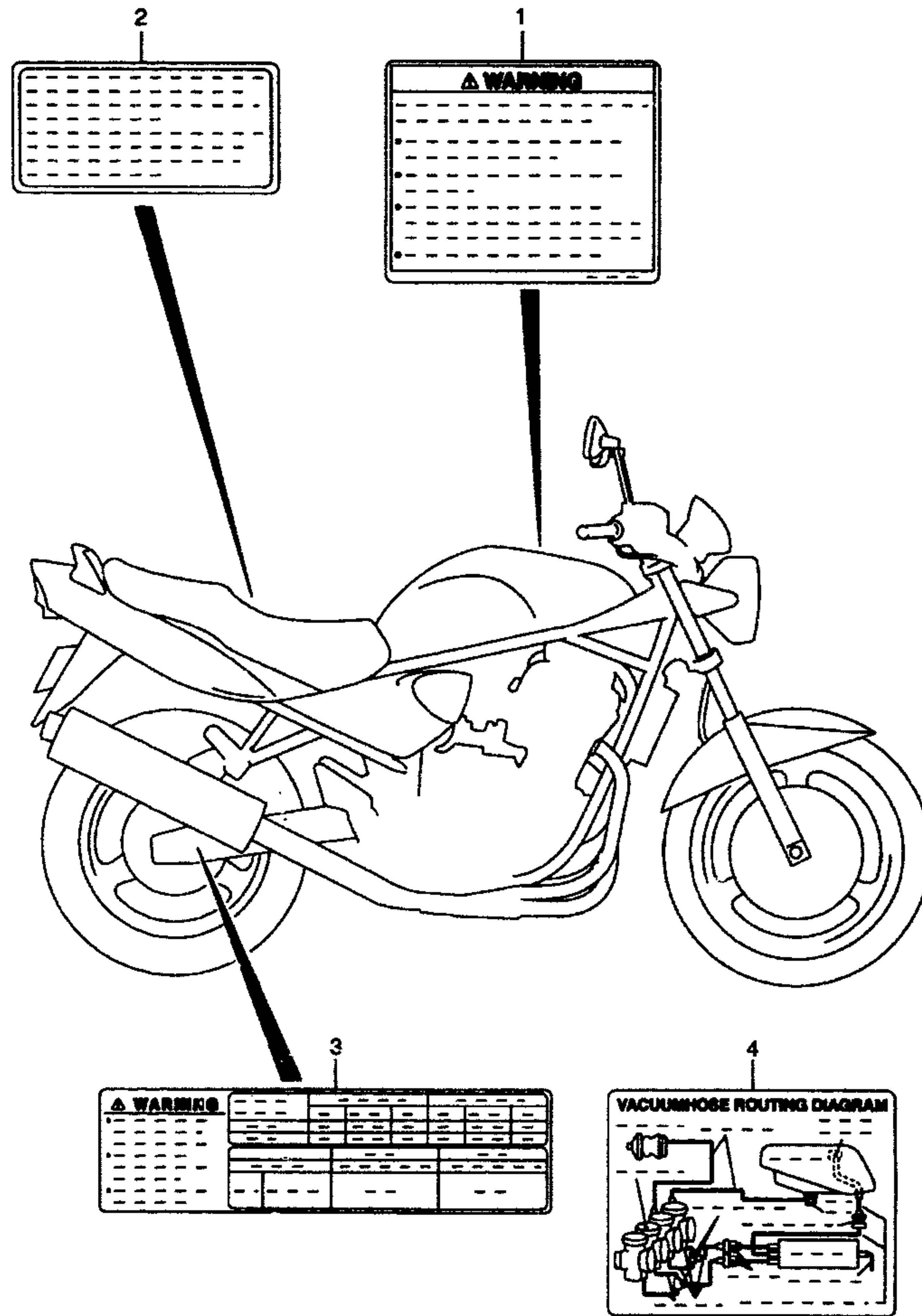
GSF1200SK1 E03 E28\_046  
LABEL

64 GSF1200, S K2 E3, E33

AIR CLEANER.....	C-07	COWLING BODY.....	I-02	FRAME COVER.....	H-03	GASKET SET.....	B-02	OIL COOLER.....	C-08	SEAT TAIL COVER...	J-03	TRANSMISSION.....	D-04
ALTERNATOR.....	E-03	COWLING INSTALLATIO	I-04	FRAME.....	G-02	GEAR SHIFTING.....	D-08	OIL PAN.....	B-09	SEAT.....	J-02	TURN SIGNAL LAMP...	F-04
BATTERY.....	E-06	CRANKCASE COVER.....	B-08	FRONT BRAKE HOSE...	K-04	HANDLE LEVER.....	H-10	OIL PUMP.....	B-10	SECOND AIR.....	C-10	WIRING HARNESS.....	F-07
CAVITY CHAIN.....	C-03	CRANKCASE.....	B-06	FRONT CALIPERS.....	K-03	HANDLE SWITCH.....	F-09	OPTIONAL.....	L-07	SIGNAL GENERATOR...	E-04		
CAM SHAFT / VALVE..	C-02	CRANKSHAFT.....	B-11	FRONT DAMPER.....	J-07	HANDLEBAR.....	H-09	REAR CALIPER.....	L-05	SPEEDOMETER.....	E-07		
CANISTER.....	H-02	CYLINDER HEAD COVER	B-03	FRONT FENDER.....	H-07	HEADLAMP HOUSING...	H-08	REAR CUSHION LEVER	L-03	STAND.....	G-04		
CARBURETOR FITTING	C-06	CYLINDER HEAD.....	B-04	FRONT MASTER CYLIND	K-05	HEADLAMP.....	F-02	REAR FENDER.....	H-11	STARTER CLUTCH.....	B-12		
CARBURETOR.....	C-04	CYLINDER.....	B-05	FRONT WHEEL.....	K-02	LABEL.....	I-05	REAR MASTER CYLINDE	L-06	STARTING MOTOR.....	E-02		
CLUTCH MASTER CYLIN	K-07	ELECTRICAL.....	E-05	FUEL COCK.....	G-09	MANUAL BOX.....	H-05	REAR SWINGING ARM..	L-02	STEERING STEM.....	J-06		
CLUTCH.....	D-02	FOOTREST.....	G-05	FUEL TANK.....	G-07	MUFFLER.....	C-08	REAR WHEEL.....	L-04	TAIL LAMP.....	F-06		



FIG.46A



Ref #	Part Number	Description	Qty	Remarks
1	68319-29F00	LABEL, WARNING SAFETY	1	
2	68353-26E02	LABEL, MANUAL NOTICE	1	
3	68332-32F20	LABEL, TIRE INFORMATION	1	
4	68387-31F00	LABEL, ROUTING	1	E33
5-1	99011-31F60-03A	MANUAL, OWNER'S	1	MODEL K1
5-2	99011-31F61-03A	MANUAL, OWNER'S	1	MODEL K2
5-2	99011-31F61-03A			DRAWING NOT SHOWN

GSF1200SK1 E03 E28\_046A  
LABEL

65 GSF1200, S K2 E3, E33

AIR CLEANER.....	C-07	COWLING BODY.....	I-02	FRAME COVER.....	H-03	GASKET SET.....	B-02	OIL COOLER.....	C-09	SEAT TAIL COVER...	J-03	TRANSMISSION.....	D-04
ALTERNATOR.....	F-03	COWLING INSTALLATIO	I-04	FRAME.....	G-02	GEAR SHIFTING.....	D-08	OIL PAN.....	B-09	SEAT.....	J-02	TURN SIGNAL LAMP...	F-04
BATTERY.....	E-08	CRANKCASE COVER....	B-08	FRONT BRAKE HOSE...	K-04	HANDLE LEVER.....	H-10	OIL PUMP.....	B-10	SECOND AIR.....	C-10	WIRING HARNESS....	F-07
CAM CHAIN.....	C-03	CRANKCASE.....	B-06	FRONT CALIPERS.....	K-03	HANDLE SWITCH.....	F-09	OPTIONAL.....	L-07	SIGNAL GENERATOR...	E-04		
CAM SHAFT / VALVE..	C-02	CRANKSHAFT.....	B-11	FRONT DAMPER.....	J-07	HANDLEBAR.....	H-09	REAR CALIPER.....	L-05	SPEEDOMETER.....	E-07		
CANISTER.....	H-02	CYLINDER HEAD COVER	B-03	FRONT FENDER.....	H-07	HEADLAMP HOUSING..	H-08	REAR CUSHION LEVER	L-03	STAND.....	G-04		
CARBURETOR FITTING	C-06	CYLINDER HEAD.....	B-04	FRONT MASTER CYLIND	K-05	HEADLAMP.....	F-02	REAR FENDER.....	H-11	STARTER CLUTCH....	B-12		
CARBURETOR.....	C-04	CYLINDER.....	B-05	FRONT WHEEL.....	K-02	LABEL.....	L-05	REAR MASTER CYLINDE	L-08	STARTING MOTOR....	E-02		
CLUTCH MASTER CYLIN	K-07	ELECTRICAL.....	E-05	FUEL COCK.....	G-09	MANUAL BOX.....	H-C5	REAR SWINGING ARM..	L-02	STEERING STEM.....	J-08		
CLUTCH.....	D-02	FOOTREST.....	G-05	FUEL TANK.....	G-07	MUFFLER.....	C-08	REAR WHEEL.....	L-04	TAIL LAMP.....	F-06		

FIG.46B

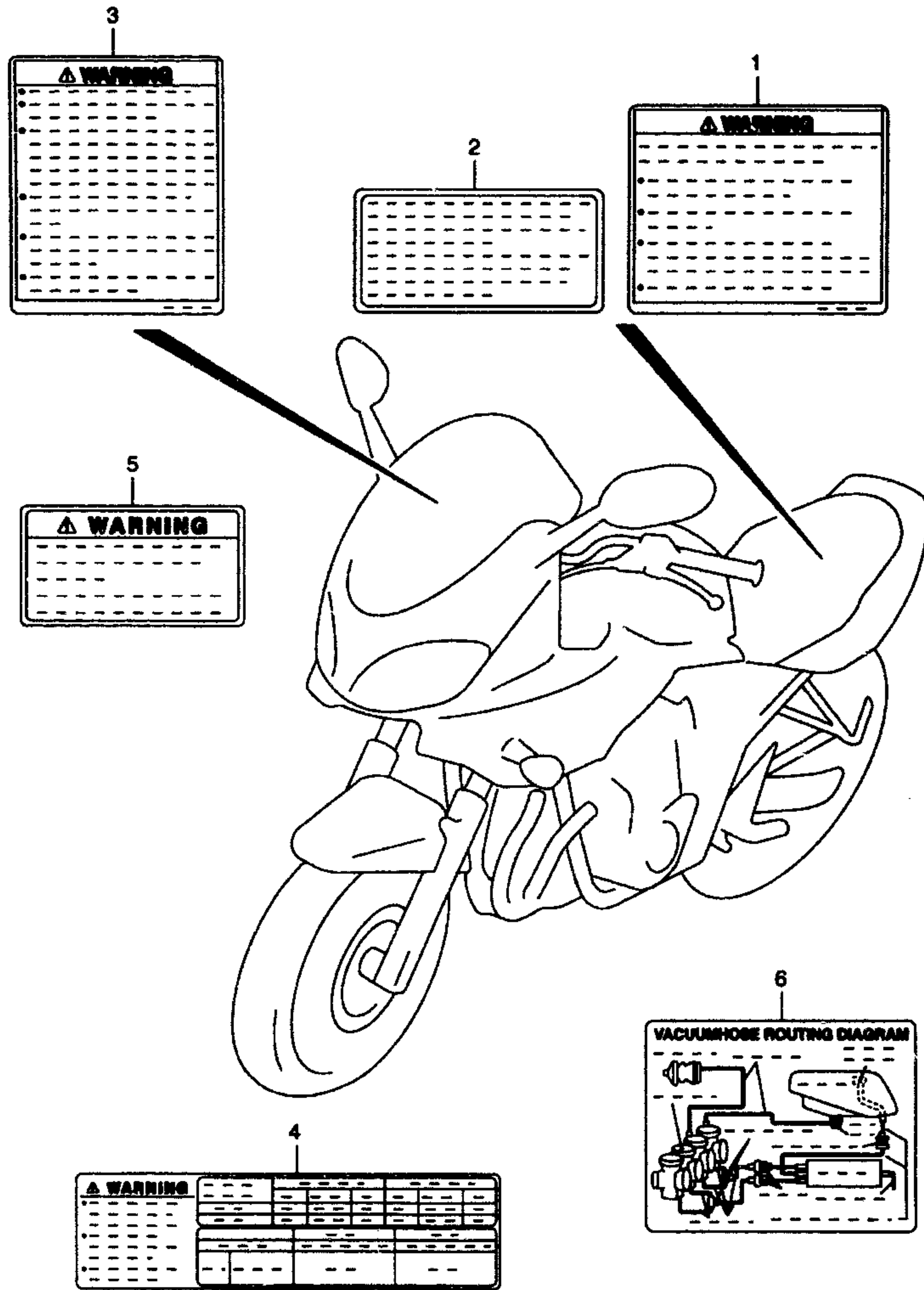


Fig.46B ( I-7 ) LABEL (GSF1200SK2)

Ref #	Part Number	Description	Qty	Remarks
1-1	68319-29F00	LABEL, WARNING SAFETY	1	E3,E33
1-2	68319-29F10	LABEL, WARNING SAFETY	1	E28
2	68353-26E02	LABEL, MANUAL NOTICE	1	E3,E33
3-1	68922-29F00	LABEL, SCREEN	1	E3,E28,E33
3-2	68922-29F30	LABEL, SCREEN	1	E28
4-1	68332-32F20	LABEL, TIRE INFORMATION	1	E3,E33
4-2	68332-32F00	LABEL, TIRE INFORMATION	1	E28
5-1	68613-18E00	LABEL, WARNING STEERING	1	E3,E33
5-2	68613-24F00	LABEL, WARNING STEERING	1	E28
6	68387-32F00	LABEL, ROUTING	1	E33
7-1	99011-31F61-03A	MANUAL, OWNER'S	1	E3,E33
7-2	99011-31F61-01A	MANUAL, OWNER'S	1	E28
7-3	99011-31F61-01F	MANUAL, OWNER'S	1	E28
7-3	99011-31F61-01F			DRAWING NOT SHOWN

GSF1200SK1 E03 E28\_046B LABEL

66 GSF1200, S K2 E3, E33

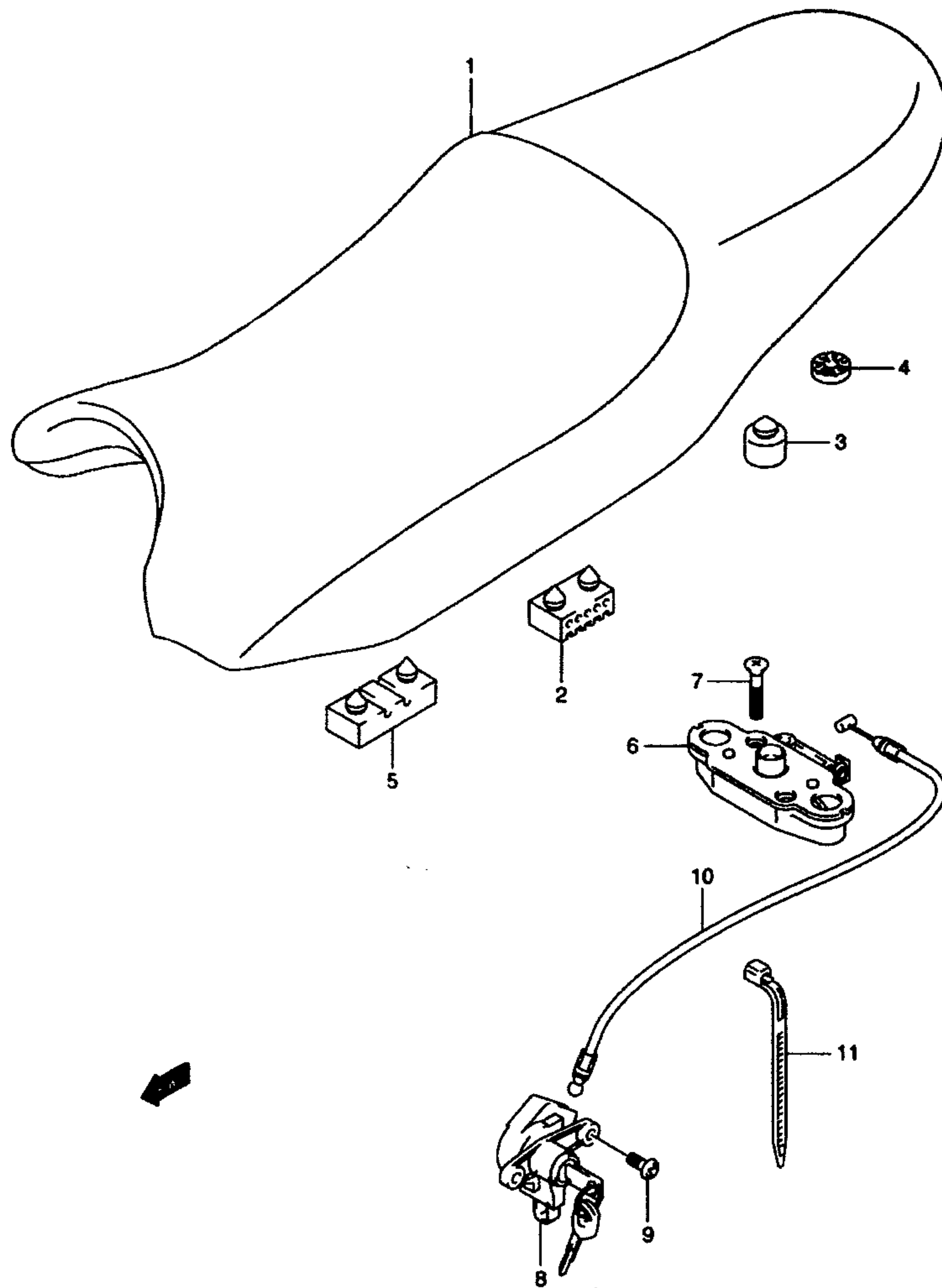
AIR CLEANER.....	C-07	COWLING BODY.....	I-02	FRAME COVER.....	H-03	GASKET SET.....	B-02	OIL COOLER.....	C-09	SEAT TAIL COVER....	J-03	TRANSMISSION.....	D-04
ALTERNATOR.....	E-03	COWLING INSTALLATIO	I-04	FRAME.....	G-02	GEAR SHIFTING.....	D-06	OIL PAN.....	B-09	SEAT.....	J-02	TURN SIGNAL LAMP...	F-04
BATTERY.....	E-06	CRANKCASE COVER...	B-08	FRONT BRAKE HOSE...	K-04	HANDLE LEVER.....	H-10	OIL PUMP.....	B-10	SECOND AIR.....	C-10	WIRING HARNESS....	F-07
CAM CHAIN.....	C-03	CRANKCASE.....	B-06	FRONT CALIPERS.....	K-03	HANDLE SWITCH.....	F-09	OPTIONAL.....	L-07	SIGNAL GENERATOR...	E-04		
CAM SHAFT / VALVE..	C-02	CRANKSHAFT.....	B-11	FRONT DAMPER.....	J-07	HANDLEBAR.....	H-09	REAR CALIPER.....	L-05	SPEEDOMETER.....	E-07		
CANISTER.....	H-02	CYLINDER HEAD COVER	B-03	FRONT FENDER.....	H-07	HEADLAMP HOUSING...	H-06	REAR CUSHION LEVER..	L-03	STAND.....	G-04		
CARBURETOR FITTING	C-06	CYLINDER HEAD.....	B-04	FRONT MASTER CYLIND	K-05	HEADLAMP.....	F-02	REAR FENDER.....	H-11	STARTER CLUTCH....	B-12		
CARBURETOR.....	C-04	CYLINDER.....	B-05	FRONT WHEEL.....	K-02	LABEL.....	I-05	REAR MASTER CYLINDE	L-06	STARTING MOTOR....	E-02		
CLUTCH MASTER CYLIN	K-07	ELECTRICAL.....	E-05	FUEL COCK.....	G-09	MANUAL BOX.....	H-05	REAR SWINGING ARM..	L-02	STEERING STEM....	J-06		
CLUTCH.....	D-02	FOOTREST.....	G-05	FUEL TANK.....	G-07	MUFFLER.....	C-06	REAR WHEEL.....	L-04	TAIL LAMP.....	F-06		





FIG.47

Fig.47 ( J-2 ) SEAT



Ref #	Part Number	Description	Qty	Remarks
1	45100-31F11-BH4	SEAT ASSY	1	
2	45149-31300	.CUSHION (40X20X15)	4	
3	09321-10011	.CUSHION	2	
4	45213-31300	.CUSHION	2	
5	45149-05350	.CUSHION	2	
6	45220-20A01	BRACKET, SEAT SUPPORT	1	
7	02122-06303	SCREW	2	
8	95700-10834	LOCK SET, SEAT	1	
9	09139-06092	SCREW (6X14)	2	
10	45280-20A00	CABLE, SEAT LOCK	1	
11	09407-14403	CLAMP	2	

GSF1200SK1 E03 E28\_047  
SEAT

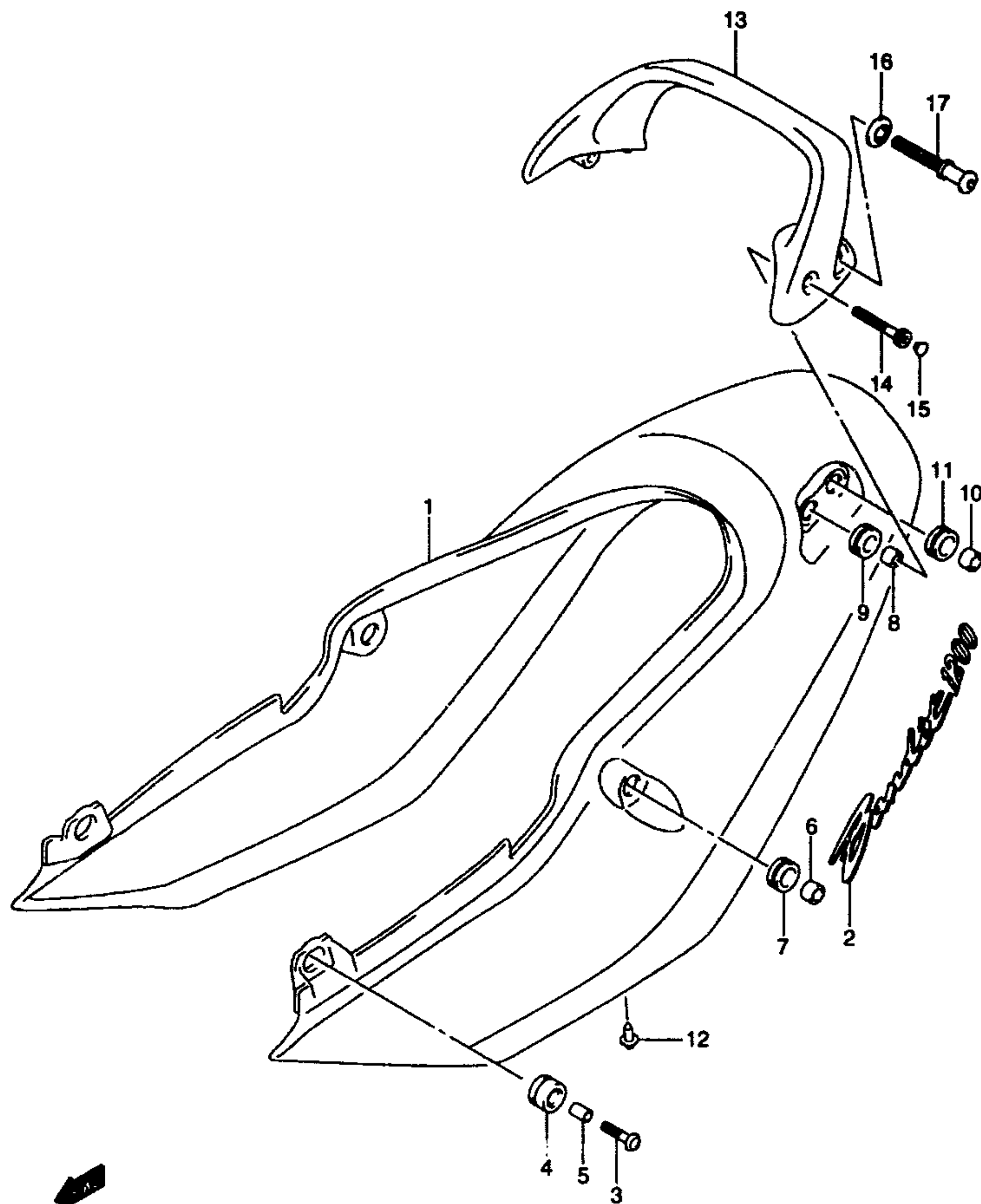
67 GSF1200, S K2 E3, E33

AIR CLEANER.....	C-07	COWLING BODY.....	I-02	FRAME COVER.....	H-03	GASKET SET.....	B-02	OIL COOLER.....	C-09	SEAT TAIL COVER....	J-03	TRANSMISSION.....	D-04
ALTERNATOR.....	E-03	COWLING INSTALLATIO	I-04	FRAME.....	G-02	GEAR SHIFTING.....	D-06	OIL PAN.....	B-09	SEAT.....	J-02	TURN SIGNAL LAMP...	F-04
BATTERY.....	E-08	CRANKCASE COVER....	B-08	FRONT BRAKE HOSE...	K-04	HANDLE LEVER.....	H-10	OIL PUMP.....	B-10	SECOND AIR.....	C-10	WIRING HARNESS....	F-07
CAM CHAIN.....	C-03	CRANKCASE.....	B-06	FRONT CALIPERS.....	K-03	HANDLE SWITCH.....	F-09	OPTIONAL.....	L-07	SIGNAL GENERATOR...	E-04		
CAM SHAFT / VALVE..	C-02	CRANKSHAFT.....	B-11	FRONT DAMPER.....	J-07	HANDLEBAR.....	H-09	REAR CALIPER.....	L-05	SPEEDOMETER.....	E-07		
CANISTER.....	H-02	CYLINDER HEAD COVER	B-03	FRONT FENDER.....	H-07	HEADLAMP HOUSING...	H-06	REAR CUSHION LEVER	L-03	STAND.....	G-04		
CARBURETOR FITTING	C-08	CYLINDER HEAD.....	B-04	FRONT MASTER CYLIND	K-05	HEADLAMP.....	F-02	REAR FENDER.....	H-11	STARTER CLUTCH....	B-12		
CARBURETOR.....	C-04	CYLINDER.....	B-05	FRONT WHEEL.....	K-02	LABEL.....	L-05	REAR MASTER CYLIND	L-06	STARTING MOTOR....	E-02		
CLUTCH MASTER CYLIN	K-07	ELECTRICAL.....	E-05	FUEL COCK.....	G-09	MANUAL BOX.....	H-05	REAR SWINGING ARM..	L-02	STEERING STEM....	J-08		
CLUTCH.....	J-02	FOOTREST.....	G-05	FUEL TANK.....	G-07	MUFFLER.....	C-08	REAR WHEEL.....	L-04	TAIL LAMP.....	F-06		



FIG.48

Fig.48 ( J-3 ) SEAT TAIL COVER (GSF1200SK1)



Ref #	Part Number	Description	Qty	Remarks
1-1	45510-32F10-YC6	COVER, SEAT TAIL (RED)	1	
1-2	45510-32F10-33J	COVER, SEAT TAIL (BLACK)	1	
1-3	45510-32F10-YD8	COVER, SEAT TAIL (SILVER)	1	
1-4	45510-32F10-Y7H	COVER, SEAT TAIL (BLUE)	1	
2-1	68131-32F10-DL2	.EMBLEM, TAIL COVER	2	FOR YC6
2-2	68131-32F10-M2R	.EMBLEM, TAIL COVER	2	FOR 33J
2-3	68131-32F10-DL3	.EMBLEM, TAIL COVER	2	FOR YD8
2-4	68131-32F10-M2S	.EMBLEM, TAIL COVER	2	FOR Y7H
3	09136-06083	SCREW, FRONT (6X30)	2	
4	47115-19F00	CUSHION, FRONT (10X22X15)	2	
5	09180-06291	SPACER, FRONT (6.5X10X13)	2	
6	09180-08199	SPACER, CENTER (8.5X14X9)	2	
7	09320-14023	CUSHION, CENTER (14X22X9.5)	2	
8	09180-06300	SPACER, RR-FR (6.5X12X9)	2	
9	09320-12068	CUSHION, RR-FR (12X22X9.5)	2	
10	09180-08199	SPACER, RR-RR (8.5X14X9)	2	
11	09320-14023	CUSHION, RR-RR (14X12X9.5)	2	
12	09409-06314-5PK	CLIP	6	
13-1	46211-32F00-YC6	HANDLE, PILLION RIDER (RED)	1	
13-2	46211-32F00-33J	HANDLE, PILLION RIDER (BLACK)	1	
13-3	46211-32F00-YD8	HANDLE, PILLION RIDER (SILVER)	1	
13-4	46211-32F00-Y7H	HANDLE, PILLION RIDER (BLUE)	1	
14	07120-06453	BOLT	2	
15	09250-05009	CAP	2	
16	46317-31F00	WASHER, HOOK	2	
17	46316-31F00	HOOK, HANDLE	2	

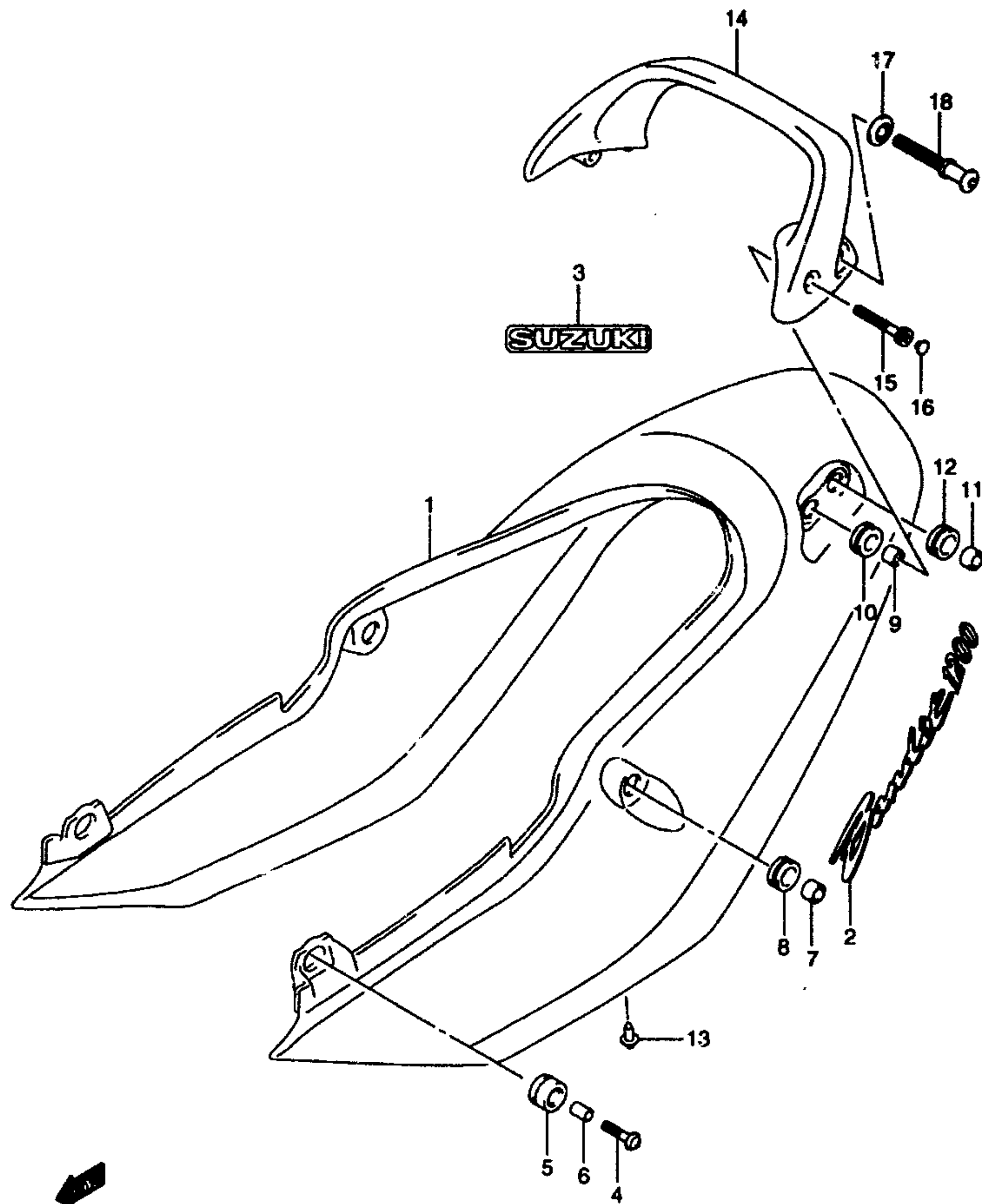
GSF1200SK1 E03 E28\_048  
SEAT TAIL COVER

68 GSF1200, S K2 E3, E33

AIR CLEANER.....	C-07	COWLING BODY.....	I-02	FRAME COVER.....	H-03	GASKET SET.....	B-02	OIL COOLER.....	C-09	SEAT TAIL COVER.....	J-03	TRANSMISSION.....	D-04
ALTERNATOR.....	E-03	COWLING INSTALLATIO	I-04	FRAME.....	G-02	GEAR SHIFTING.....	D-06	OIL PAN.....	B-09	SEAT.....	J-02	TURN SIGNAL LAMP...	F-04
BATTERY.....	E-06	CRANKCASE COVER.....	B-08	FRONT BRAKE HOSE.....	K-04	HANDLE LEVER.....	H-10	OIL PUMP.....	B-10	SECOND AIR.....	C-10	WIRING HARNESS.....	F-07
CAM CHAIN.....	C-03	CRANKCASE.....	B-06	FRONT CALIPERS.....	K-03	HANDLE SWITCH.....	F-09	OPTIONAL.....	L-07	SIGNAL GENERATOR.....	E-04		
CAM SHAFT / VALVE.....	C-02	CRANKSHAFT.....	B-11	FRONT DAMPER.....	J-07	HANDLEBAR.....	H-09	REAR CALIPER.....	L-05	SPEEDOMETER.....	E-07		
CANISTER.....	H-02	CYLINDER HEAD COVER	B-03	FRONT FENDER.....	H-07	HEADLAMP HOUSING...	H-06	REAR CUSHION LEVER	L-03	STAND.....	G-04		
CARBURETOR FITTING...	C-08	CYLINDER HEAD.....	B-04	FRONT MASTER CYLIND	K-05	HEADLAMP.....	F-02	REAR FENDER.....	H-11	STARTER CLUTCH.....	B-12		
CARBURETOR.....	C-04	CYLINDER.....	B-05	FRONT WHEEL.....	K-02	LABEL.....	I-05	REAR MASTER CYLINDE	L-06	STARTING MOTOR.....	E-02		
CLUTCH MASTER CYLIN	K-07	ELECTRICAL.....	E-05	FUEL COCK.....	G-09	MANUAL BOX.....	H-05	REAR SWINGING ARM...	L-02	STEERING STEM.....	J-08		
CLUTCH.....	D-02	FOOTREST.....	G-05	FUEL TANK.....	G-07	MUFFLER.....	C-08	REAR WHEEL.....	L-04	TAIL LAMP.....	F-06		

FIG.48A

Fig.48A ( J-4 ) SEAT TAIL COVER (GSF1200SK2)



Ref #	Part Number	Description	Qty	Remarks
1-1	45510-32F30-33J	COVER, SEAT TAIL (BLACK)	1	
1-2	45510-32F30-YD8	COVER, SEAT TAIL (SILVER)	1	
1-3	45510-32F30-Y7H	COVER, SEAT TAIL (BLUE)	1	
2-1	68131-32F10-M2R	.EMBLEM, TAIL COVER	2	FOR 33J
2-2	68131-32F10-GW5	.EMBLEM, TAIL COVER	2	FOR YD8
2-3	68131-32F10-M2S	.EMBLEM, TAIL COVER	2	FOR Y7H
3-1	68165-32F00-M2R	.EMBLEM, "SUZUKI"	1	FOR 33J
3-2	68165-32F00-GW5	.EMBLEM, "SUZUKI"	1	FOR YD8
3-3	68165-32F00-M2S	.EMBLEM, "SUZUKI"	1	FOR Y7H
4	09136-06083	SCREW, FRONT (6X30)	2	
5	47115-19F00	CUSHION, FRONT (10X22X15)	2	
6	09180-06291	SPACER, FRONT (6.5X10X13)	2	
7	09180-08199	SPACER, CENTER (8.5X14X9)	2	
8	09320-14023	CUSHION, CENTER (14X22X9.5)	2	
9	09180-06300	SPACER, RR-FR (6.5X12X9)	2	
10	09320-12068	CUSHION, RR-FR (12X22X9.5)	2	
11	09180-08199	SPACER, RR-RR (8.5X4X9)	2	
12	09320-14023	CUSHION, RR-RR (14X12X9.5)	2	
13	09409-06314-5PK	CLIP	6	
14-1	46211-32F00-33J	HANDLE, PILLION RIDER (BLACK)	1	
14-2	46211-32F00-YD8	HANDLE, PILLION RIDER (SILVER)	1	
14-3	46211-32F00-Y7H	HANDLE, PILLION RIDER (BLUE)	1	
15	07120-06453	BOLT	2	
16	09250-05009	CAP	2	
17	46317-31F00	WASHER, HOOK	2	
18	46316-31F00	HOOK, HANDLE	2	

GSF1200SK1 E03 E28\_048A  
SEAT TAIL COVER

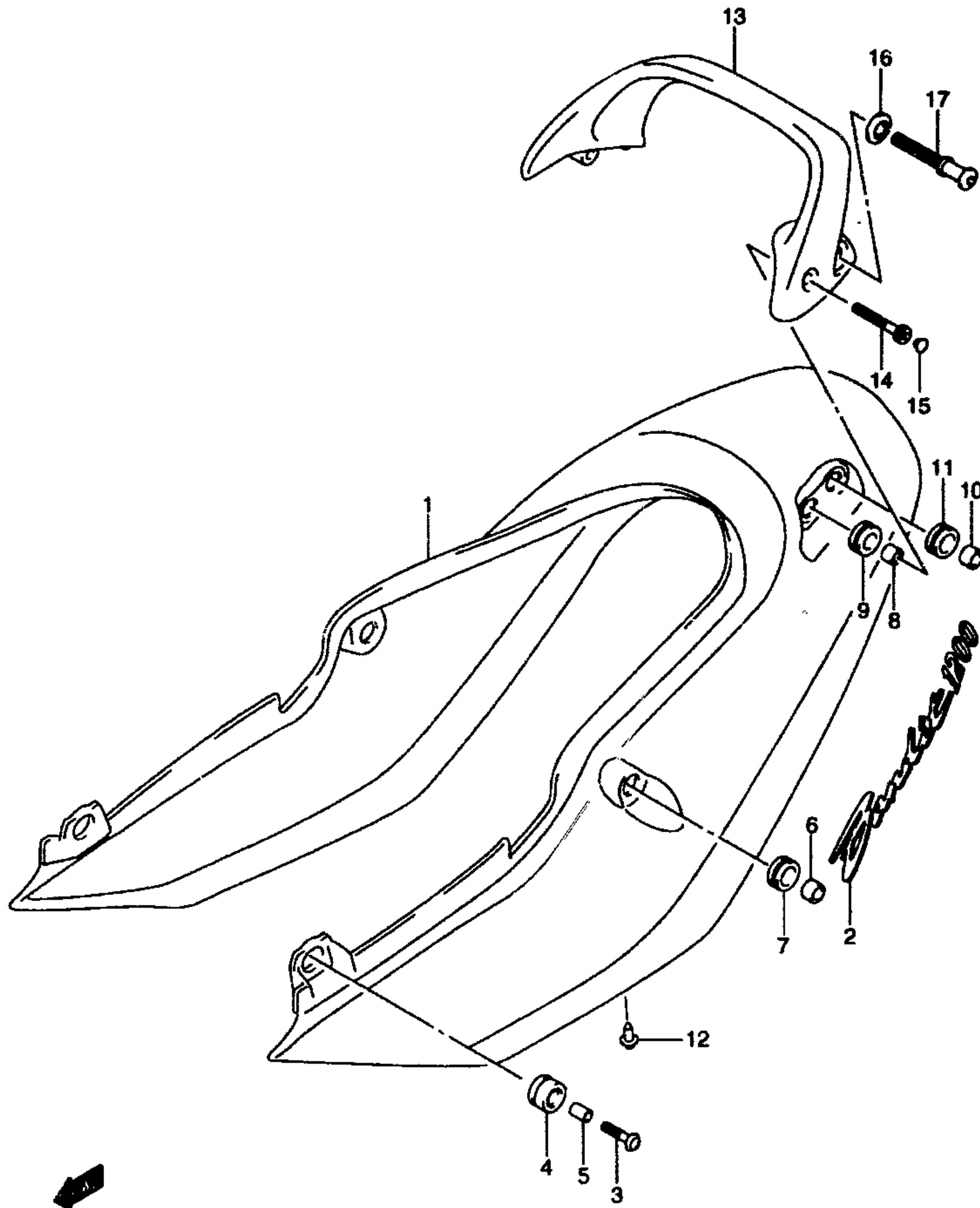
69 GSF1200, S K2 E3, E33

AIR CLEANER.....	C-07	COWLING BODY.....	I-02	FRAME COVER.....	H-03	GASKET SET.....	B-02	OIL COOLER.....	C-09	SEAT TAIL COVER....	J-03	TRANSMISSION.....	D-04
ALTERNATOR.....	E-03	COWLING INSTALLATIO	I-04	FRAME.....	G-02	GEAR SHIFTING.....	D-06	OIL PAN.....	B-09	SEAT.....	J-02	TURN SIGNAL LAMP...	F-04
BATTERY.....	E-08	CRANKCASE COVER....	B-08	FRONT BRAKE HOSE...	K-04	HANDLE LEVER.....	H-10	OIL PUMP.....	B-10	SECOND AIR.....	C-10	WIRING HARNESS....	F-07
CAM CHAIN.....	C-03	CRANKCASE.....	B-06	FRONT CALIPERS.....	K-03	HANDLE SWITCH.....	F-09	OPTIONAL.....	L-07	SIGNAL GENERATOR...	E-04		
CAM SHAFT / VALVE..	C-02	CRANKSHAFT.....	B-11	FRONT DAMPER.....	J-07	HANDLEBAR.....	H-09	REAR CALIPER.....	L-05	SPEEDOMETER.....	E-07		
CANISTER.....	H-02	CYLINDER HEAD COVER	B-03	FRONT FENDER.....	H-07	HEADLAMP HOUSING...	H-06	REAR CUSHION LEVER.	L-03	STAND.....	G-04		
CARBURETOR FITTING.	C-08	CYLINDER HEAD.....	B-04	FRONT MASTER CYLIND	K-05	HEADLAMP.....	F-02	REAR FENDER.....	H-11	STARTER CLUTCH....	B-12		
CARBURETOR.....	C-04	CYLINDER.....	B-05	FRONT WHEEL.....	K-02	LABEL.....	L-05	REAR MASTER CYLINDE	L-06	STARTING MOTOR....	E-02		
CLUTCH MASTER CYLIN	K-07	ELECTRICAL.....	E-05	FUEL COCK.....	G-09	MANUAL BOX.....	H-05	REAR SWINGING ARM..	L-02	STEERING STEM....	J-08		
CLUTCH.....	D-02	FOOTREST.....	G-05	FUEL TANK.....	G-07	MUFFLER.....	C-08	REAR WHEEL.....	L-04	TAIL LAMP.....	F-06		



FIG.48B

Fig.48B ( J-5 ) SEAT TAIL COVER (GSF1200K1)



Ref #	Part Number	Description	Qty	Remarks
1-1	45510-32F00-YC6	COVER, SEAT TAIL (RED)	1	
1-2	45510-32F00-33J	COVER, SEAT TAIL (BLACK)	1	
1-3	45510-32F00-Y7H	COVER, SEAT TAIL (BLUE)	1	
1-4	45510-32F00-YD8	COVER, SEAT TAIL (SILVER)	1	
2-1	68131-32F00-DL6	.EMBLEM, TAIL COVER	2	FOR YC6
2-2	68131-32F00-DL4	.EMBLEM, TAIL COVER	2	FOR 33J
2-3	68131-32F00-DL5	.EMBLEM, TAIL COVER	2	FOR Y7H
2-4	68131-32F00-DL7	.EMBLEM, TAIL COVER	2	FOR YD8
3	09136-06083	SCREW, FRONT (6X30)	2	
4	47115-19F00	CUSHION, FRONT (10X22X15)	2	
5	09180-06291	SPACER, FRONT (6.5X10X13)	2	
6	09180-08199	SPACER, CENTER (8.5X14X9)	2	
7	09320-14023	CUSHION, CENTER (14X22X9.5)	2	
8	09180-06300	SPACER, RR-FR (6.5X12X9)	2	
9	09320-12068	CUSHION, RR-FR (12X22X9.5)	2	
10	09180-08199	SPACER, RR-RR (8.5X14X9)	2	
11	09320-14023	CUSHION, RR-RR (14X12X9.5)	2	
12	09409-06314-5PK	CLIP	6	
13-1	46211-32F00-YC6	HANDLE, PILLION RIDER (RED)	1	
13-2	46211-32F00-33J	HANDLE, PILLION RIDER (BLACK)	1	
13-3	46211-32F00-Y7H	HANDLE, PILLION RIDER (BLUE)	1	
13-4	46211-32F00-YD8	HANDLE, PILLION RIDER (SILVER)	1	
14	07120-06453	BOLT	2	
15	09250-05009	CAP	2	
16	46317-31F00	WASHER, HOOK	2	
17	46316-31F00	HOOK, HANDLE	2	

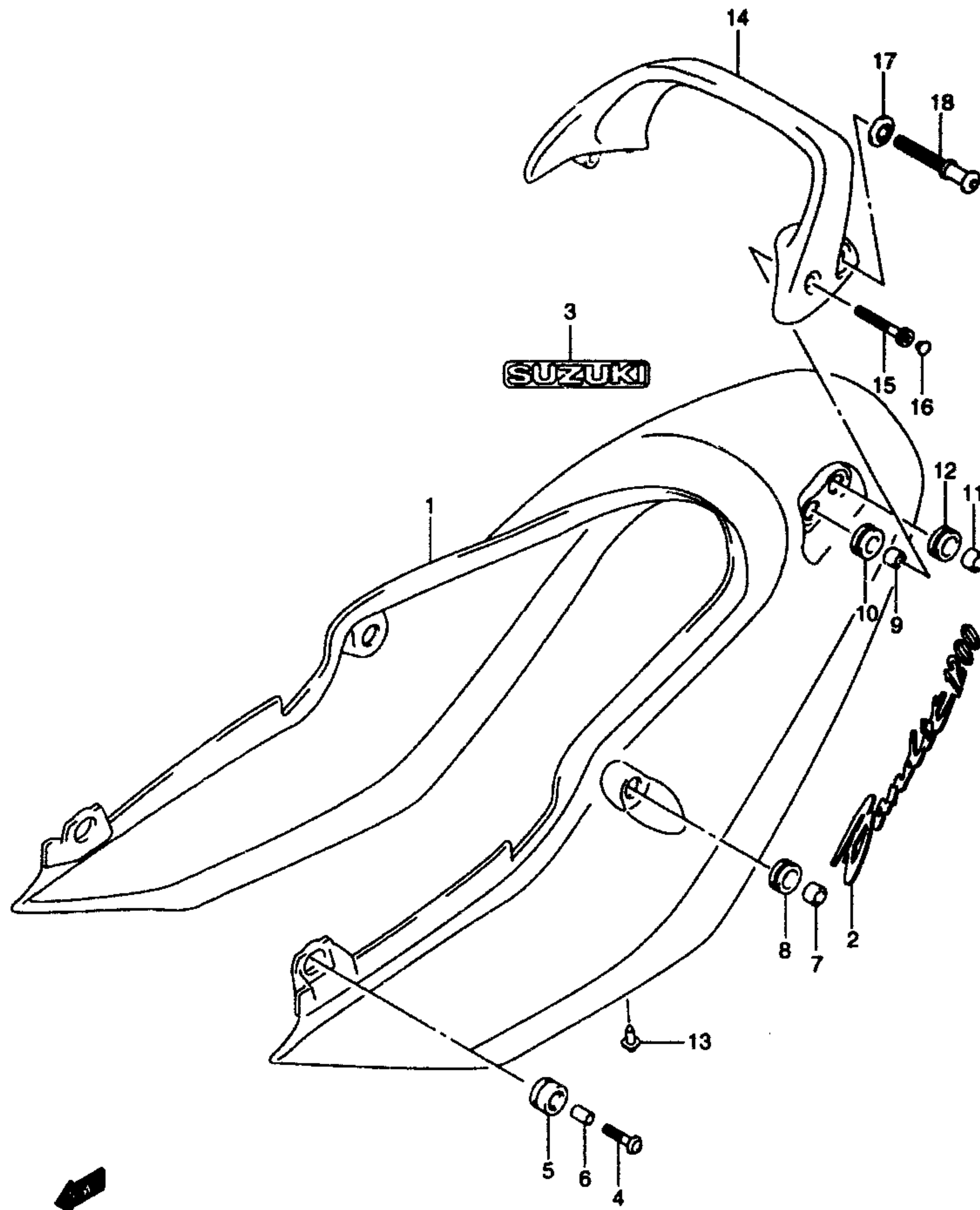
GSF1200SK1 E0C E28\_048B  
SEAT TAIL COVER

70 GSF1200, S K2 E3, E33

AIR CLEANER.....	C-07	COWLING BODY.....	I-02	FRAME COVER.....	H-03	GASKET SET.....	B-02	OIL COOLER.....	C-09	SEAT TAIL COVER.....	J-03	TRANSMISSION.....	D-04
ALTERNATOR.....	E-03	COWLING INSTALLATIO	I-04	FRAME.....	G-02	GEAR SHIFTING.....	D-08	OIL PAN.....	B-09	SEAT.....	J-02	TURN SIGNAL LAMP.....	F-04
BATTERY.....	E-08	CRANKCASE COVER.....	B-08	FRONT BRAKE HOSE.....	K-04	HANDLE LEVER.....	H-10	OIL PUMP.....	B-10	SECOND AIR.....	C-10	WIRING HARNESS.....	F-07
CAM SHAFT.....	C-03	CRANKCASE.....	B-08	FRONT CALIPERS.....	K-03	HANDLE SWITCH.....	F-09	OPTIONAL.....	L-07	SIGNAL GENERATOR.....	E-04		
CAM SHAFT / VALVE.....	C-02	CRANKSHAFT.....	B-11	FRONT DAMPER.....	J-07	HANDLEBAR.....	H-09	REAR CALIPER.....	L-05	SPEEDOMETER.....	E-07		
CANISTER.....	H-02	CYLINDER HEAD COVER	B-03	FRONT FENDER.....	H-07	HEADLAMP HOUSING.....	H-06	REAR CUSHION LEVER.....	L-03	STAND.....	G-04		
CARBURETOR FITTING.....	C-06	CYLINDER HEAD.....	B-04	FRONT MASTER CYLIND	K-05	HEADLAMP.....	F-02	REAR FENDER.....	H-11	STARTER CLUTCH.....	B-12		
CARBURETOR.....	C-04	CYLINDER.....	B-06	FRONT WHEEL.....	K-02	LABEL.....	I-05	REAR MASTER CYLINDE	L-08	STARTING MOTOR.....	E-02		
CLUTCH MASTER CYLIN	K-07	ELECTRICAL.....	E-05	FUEL COCK.....	G-09	MANUAL BOX.....	H-05	REAR SWINGING ARM..	L-02	STEERING STEM.....	J-08		
CLUTCH.....	D-02	FOOTREST.....	G-05	FUEL TANK.....	G-07	MUFFLER.....	C-08	REAR WHEEL.....	L-04	TAIL LAMP.....	F-06		

FIG.48C

Fig.48C ( J-6 ) SEAT TAIL COVER (GSF1200K2)



Ref #	Part Number	Description	Qty	Remarks
1-1	45510-32F20-33J	COVER, SEAT TAIL (BLACK)	1	
1-2	45510-32F20-Y7H	COVER, SEAT TAIL (BLUE)	1	
1-3	45510-32F20-YD8	COVER, SEAT TAIL (SILVER)	1	
2-1	68131-32F00-GW2	.EMBLEM, TAIL COVER	2	FOR 33J
2-2	68131-32F00-HG8	.EMBLEM, TAIL COVER	2	FOR Y7H
2-3	68131-32F00-GW3	.EMBLEM, TAIL COVER	2	FOR YD8
3-1	68165-32F00-M2R	.EMBLEM, "SUZUKI"	1	FOR 33J
3-2	68165-32F00-M2B	.EMBLEM, "SUZUKI"	1	FOR Y7H
3-3	68165-32F00-GW5	.EMBLEM, "SUZUKI"	1	FOR YD8
4	09136-06083	SCREW, FRONT (6X30)	2	
5	47115-19F00	CUSHION, FRONT (10X22X15)	2	
6	09180-06291	SPACER, FRONT (6.5X10X13)	2	
7	09180-08199	SPACER, CENTER (8.5X14X9)	2	
8	09320-14023	CUSHION, CENTER (14X22X9.5)	2	
9	09180-06300	SPACER, RR-FR (6.5X12X9)	2	
10	09320-12068	CUSHION, RR-FR (12X22X9.5)	2	
11	09180-08199	SPACER, RR-RR (8.5X14X9)	2	
12	09320-14023	CUSHION, RR-RR (14X12X9.5)	2	
13	09409-06314-5PK	CLIP	6	
14-1	46211-32F00-33J	HANDLE, PILLION RIDER (BLACK)	1	
14-2	46211-32F00-Y7H	HANDLE, PILLION RIDER (BLUE)	1	
14-3	46211-32F00-YD8	HANDLE, PILLION RIDER (SILVER)	1	
15	07120-06453	BOLT	2	
16	09250-05009	CAP	2	
17	46317-31F00	WASHER, HOOK	2	
18	46316-31F00	HOOK, HANDLE	2	

GSF1200SK1 E03 E28\_048C  
SEAT TAIL COVER

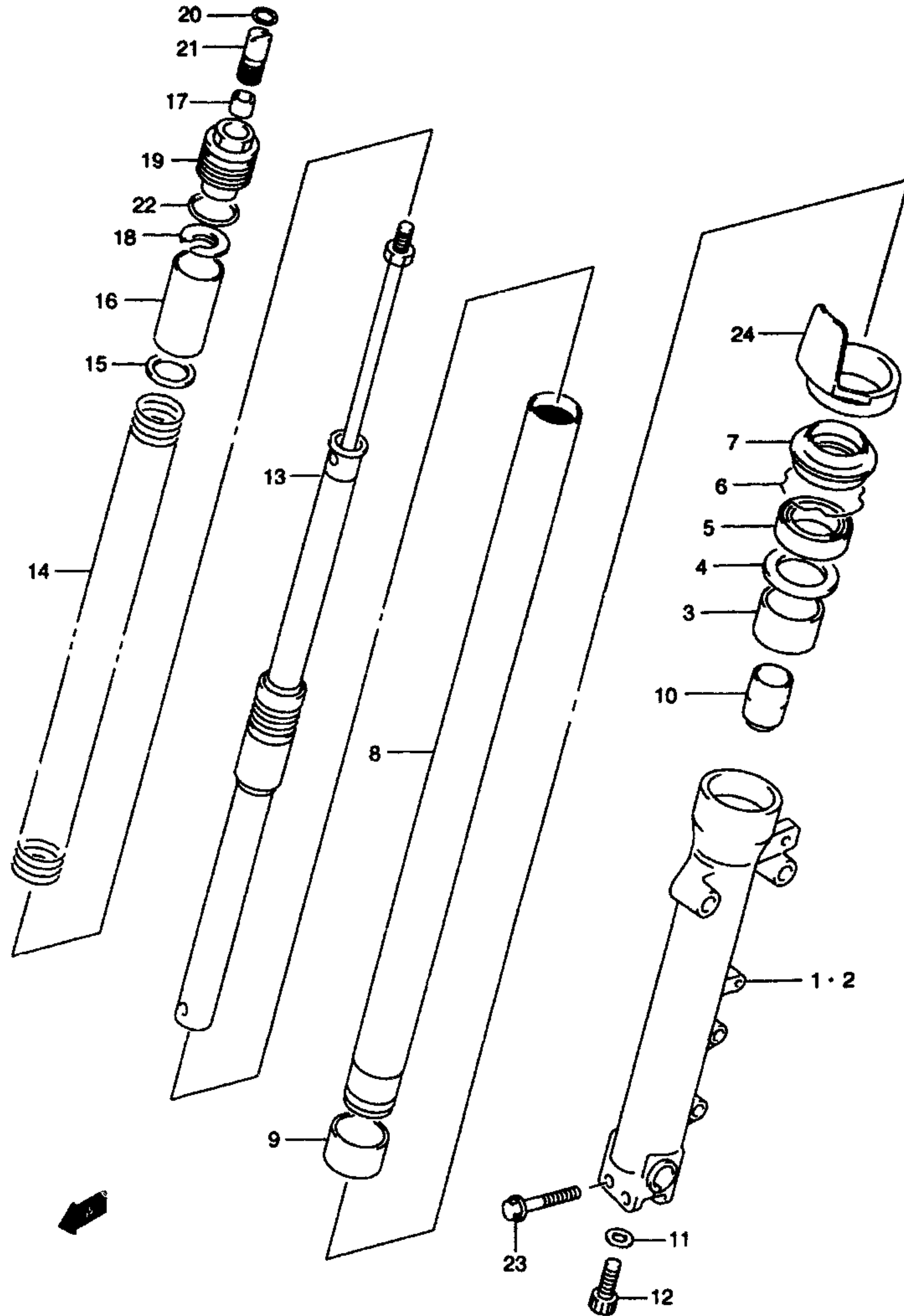
71 GSF1200, S K2 E3, E33

AIR CLEANER.....	C-07	COWLING BODY.....	I-02	FRAME COVER.....	H-03	GASKET SET.....	B-02	OIL COOLER.....	C-09	SEAT TAIL COVER.....	J-03	TRANSMISSION.....	D-04
ALTERNATOR.....	E-03	COWLING INSTALLATIO	I-04	FRAME.....	G-02	GEAR SHIFTING.....	D-08	OIL PAN.....	B-09	SEAT.....	J-02	TURN SIGNAL LAMP...	F-04
BATTERY.....	E-06	CRANKCASE COVER....	B-08	FRONT BRAKE HOSE...	K-04	HANDLE LEVER.....	H-10	OIL PUMP.....	B-10	SECOND AIR.....	C-10	WIRING HARNESS.....	F-07
CAM CHAIN.....	C-03	CRANKCASE.....	B-08	FRONT CALIPERS.....	K-03	HANDLE SWITCH.....	F-09	OPTIONAL.....	L-07	SIGNAL GENERATOR...	E-04		
CAM SHAFT / VALVE..	C-02	CRANKSHAFT.....	B-11	FRONT DAMPER.....	J-07	HANDLEBAR.....	H-09	REAR CALIPER.....	L-05	SPEEDOMETER.....	E-07		
CANISTER.....	H-02	CYLINDER HEAD COVER	B-03	FRONT FENDER.....	H-07	HEADLAMP HOUSING...	H-08	REAR CUSHION LEVER.	L-03	STAND.....	G-04		
CARBURETOR FITTING.	C-06	CYLINDER HEAD.....	B-04	FRONT MASTER CYLIND	K-05	HEADLAMP.....	F-02	REAR FENDER.....	H-11	STARTER CLUTCH.....	B-12		
CARBURETOR.....	C-04	CYLINDER.....	B-05	FRONT WHEEL.....	K-02	LABEL.....	I-05	REAR MASTER CYLINDE	L-06	STARTING MOTOR.....	E-02		
CLUTCH MASTER CYLIN	K-07	ELECTRICAL.....	E-05	FUEL COCK.....	G-09	MANUAL BOX.....	H-05	REAR SWINGING ARM..	L-02	STEERING STEM.....	J-08		
CLUTCH.....	D-02	FOOTREST.....	G-05	FUEL TANK.....	G-07	MUFFLER.....	C-08	REAR WHEEL.....	L-04	TAIL LAMP.....	F-06		



**FIG.49**

Fig.49 ( J-7 ) FRONT DAMPER



Ref #	Part Number	Description	Qty	Remarks
	51103-32F00	DAMPER ASSY, FRONT FORK RH	1	
	51104-32F00	DAMPER ASSY, FRONT FORK LH	1	
1	51130-32F00	.TUBE, OUTER RH	1	
2	51140-32F00	.TUBE, OUTER LH	1	
3	51152-03F00	.BUSH, GUIDE	2	
4	51168-17C00	.SPACER, SEAL	2	
5	51153-14D00	.SEAL, OIL	2	
6	51556-38B00	.RING, STOPPER	2	
7	51173-29E00	.SEAL, DUST	2	
8	51110-27E00	.TUBE, INNER	2	
9	51121-17C00	.BUSH, SLIDE	2	
10	51195-31E00	.PIECE, OIL LOCK	2	
11	51148-36011	.GASKET	2	
12	51147-48130	.BOLT	2	
13	52110-32F00	.ROD, DAMPER	2	
14	51171-32F00	.SPRING, FRONT	2	
15	51186-17C00	.SEAT, SPRING LOWER	2	
16	51176-12C10	.COLLAR, SPRING	2	
17	51827-27E00	.NUT	2	
18	51172-17C00	.SEAT, SPRING UPPER	2	
19	51189-14D00	.BOLT, FORK	2	
20	09280-14011	.O RING	2	
21	51185-31E00	.ADJUSTER, SPRING	2	
22	51117-17C00	.O RING	2	
23	01550-08457	.BOLT, RH	2	
24	51201-32F00	.PROTECTOR	2	

GSF1200SK1 E03 E28\_049  
FRONT FORK DAMPER

72 GSF1200, S K2 E3, E33

AIR CLEANER.....	C-07	COWLING BODY.....	J-02	FRAME COVER.....	H-03	GASKET SET.....	B-02	OIL COOLER.....	C-09	SEAT TAIL COVER.....	J-03	TRANSMISSION.....	D-04
ALTERNATOR.....	E-03	COWLING INSTALLATIO	H-04	FRAME.....	G-02	GEAR SHIFTING.....	D-08	OIL PAN.....	B-09	SEAT.....	J-02	TURN SIGNAL LAMP.....	F-04
BATTERY.....	E-03	CRANKCASE COVER.....	B-08	FRONT BRAKE HOSE...	K-04	HANDLE LEVER.....	H-10	OIL PUMP.....	B-10	SECOND AIR.....	C-10	WIRING HARNESS.....	F-07
CAM CHAIN.....	C-03	CRANKCASE.....	B-08	FRONT CALIPERS.....	K-03	HANDLE SWITCH.....	F-09	OPTIONAL.....	L-07	SIGNAL GENERATOR...	E-04		
CAM SHAFT / VALVE..	C-02	CRANKSHAFT.....	B-11	FRONT DAMPER.....	J-07	HANDLEBAR.....	H-09	REAR CALIPER.....	L-05	SPEEDOMETER.....	E-07		
CANISTER.....	H-02	CYLINDER HEAD COVER	B-03	FRONT FENDER.....	H-07	HEADLAMP HOUSING...	H-08	REAR CUSHION LEVER..	L-03	STAND.....	G-04		
CARBURETOR FITTING..	C-08	CYLINDER HEAD.....	B-04	FRONT MASTER CYLIND	K-05	HEADLAMP.....	F-02	REAR FENDER.....	H-11	STARTER CLUTCH.....	B-12		
CARBURETOR.....	C-04	CYLINDER.....	B-05	FRONT WHEEL.....	K-02	LABEL.....	I-05	REAR MASTER CYLINDE	L-08	STARTING MOTOR.....	E-02		
CLUTCH MASTER CYLIN	K-07	ELECTRICAL.....	E-05	FUEL COCK.....	G-09	MANUAL BOX.....	H-05	REAR SWINGING ARM..	L-02	STEERING STEM.....	J-08		
CLUTCH.....	D-02	FOOTREST.....	G-05	FUEL TANK.....	G-07	MUFFLER.....	C-08	REAR WHEEL.....	L-04	TAIL LAMP.....	F-06		

FIG.50

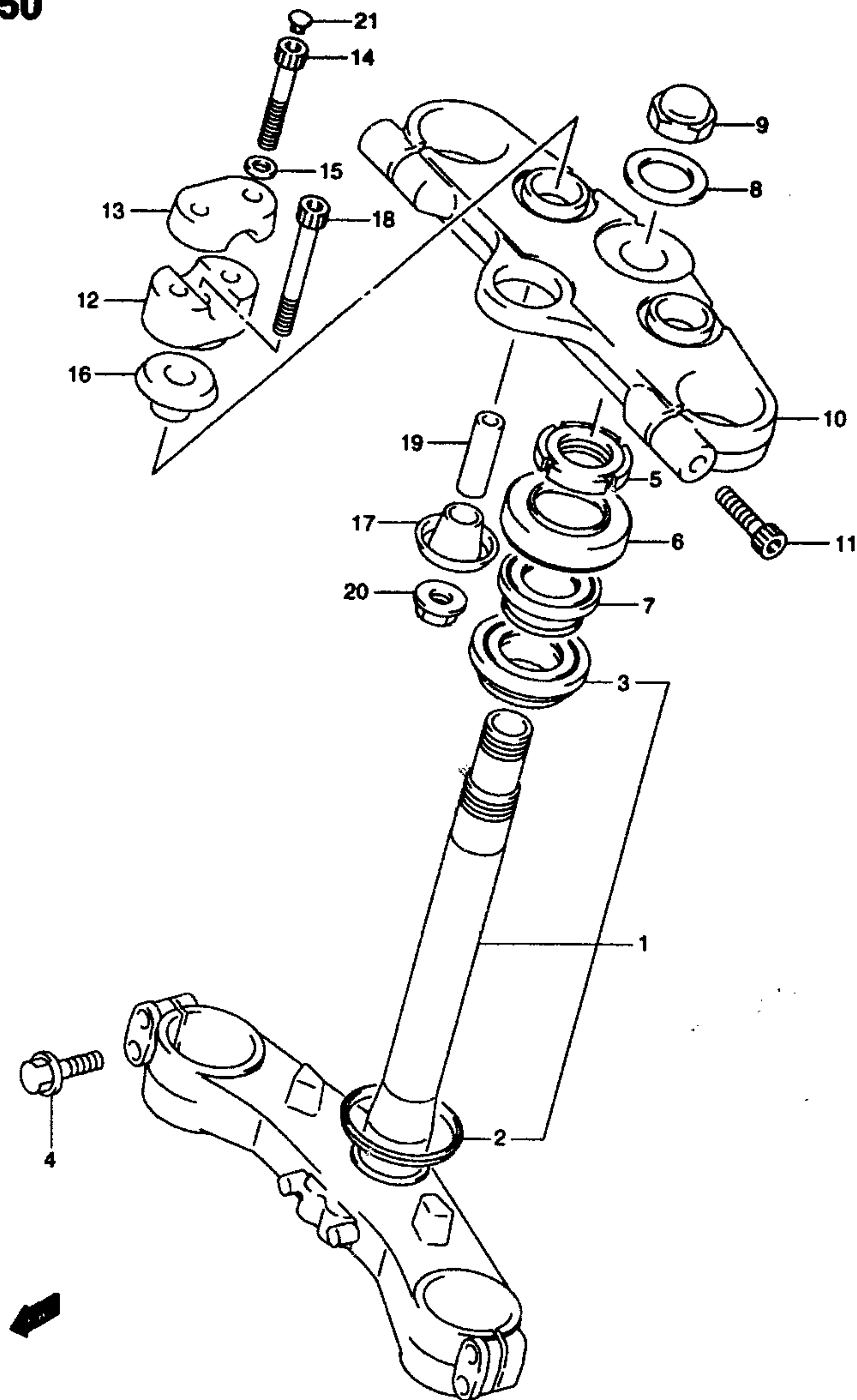


Fig.50 ( J-8 ) STEERING STEM (GSF1200SK1/SK2)

Ref #	Part Number	Description	Qty	Remarks
1	51410-32F00	STEM, STEERING	1	
2	51644-12C00	.SEAL, LOWER	1	
3	09267-30010	.BEARING (30X55X17)	1	
4	01550-08407	BOLT	4	
5	51631-31F00	NUT, STEERING STEM	1	
6	51643-40502	SEAL, STEERING DUST	1	
7	09267-25009	BEARING (25X47X15)	1	
8	51356-24B01	WASHER	1	
9	51353-24B00	NUT, CAP	1	
10	51311-32F20	HEAD, STEERING STEM	1	
11	07130-08357	BOLT	2	
12	56221-27E00	HOLDER, HANDLE UNDER	2	
13	56211-32F00	HOLDER, HANDLE UPPER	2	
14	07130-08307	BOLT	4	
15	09164-08015	WASHER	4	
16	56241-27E00	CUSHION RUBBER, UPPER	2	
17	56242-28C60	CUSHION RUBBER, UNDER	2	
18	56321-27E00	BOLT, HANDLE HOLDER	2	
19	56243-42A00	SPACER	2	
20	08319-31107	NUT	2	
21	09250-06011	CAP	4	

GSF1200SK1 E03 E28\_050  
FRONT FORK BRACKET

73 GSF1200, S K2 E3, E33

AIR CLEANER.....	C-07	COWLING BODY.....	H-02	FRAME COVER.....	H-03	GASKET SET.....	B-02	OIL COOLER.....	C-09	SEAT TAIL COVER....	J-03	TRANSMISSION.....	D-04
ALTERNATOR.....	E-03	COWLING INSTALLATIO	H-04	FRAME.....	G-02	GEAR SHIFTING.....	D-08	OIL PAN.....	B-09	SEAT.....	J-02	TURN SIGNAL LAMP...	F-04
BATTERY.....	E-06	CRANKCASE COVER....	B-08	FRONT BRAKE HOSE..	K-04	HANDLE LEVER.....	H-10	OIL PUMP.....	B-10	SECOND AIR.....	C-10	WIRING HARNESS....	F-07
CAM CHAIN.....	C-03	CRANKCASE.....	B-06	FRONT CALIPERS....	K-03	HANDLE SWITCH.....	F-09	OPTIONAL.....	L-07	SIGNAL GENERATOR..	E-04		
CAM SHAFT / VALVE..	C-02	CRANKSHAFT.....	B-11	FRONT DAMPER.....	J-07	HANDLEBAR.....	H-09	REAR CALIPER.....	L-05	SPEEDOMETER.....	E-07		
CANISTER.....	H-02	CYLINDER HEAD COVER	B-03	FRONT FENDER.....	H-07	HEADLAMP HOUSING..	H-08	REAR CUSHION LEVER	L-03	STAND.....	G-04		
CARBURETOR FITTING	C-06	CYLINDER HEAD.....	B-04	FRONT MASTER CYLIND	K-05	HEADLAMP.....	F-02	REAR FENDER.....	H-11	STARTER CLUTCH....	B-12		
CARBURETOR.....	C-04	CYLINDER.....	B-05	FRONT WHEEL.....	K-02	LABEL.....	L-05	REAR MASTER CYLINDE	L-06	STARTING MOTOR....	E-02		
CLUTCH MASTER CYLIN	K-07	ELECTRICAL.....	E-05	FUEL COCK.....	G-09	MANUAL BOX.....	H-05	REAR SWINGING ARM..	L-02	STEERING STEM....	J-08		
CLUTCH.....	G-02	FOOTREST.....	G-05	FUEL TANK.....	G-07	MUFFLER.....	G-08	REAR WHEEL.....	L-04	TAIL LAMP.....	F-06		



**FIG.50A**

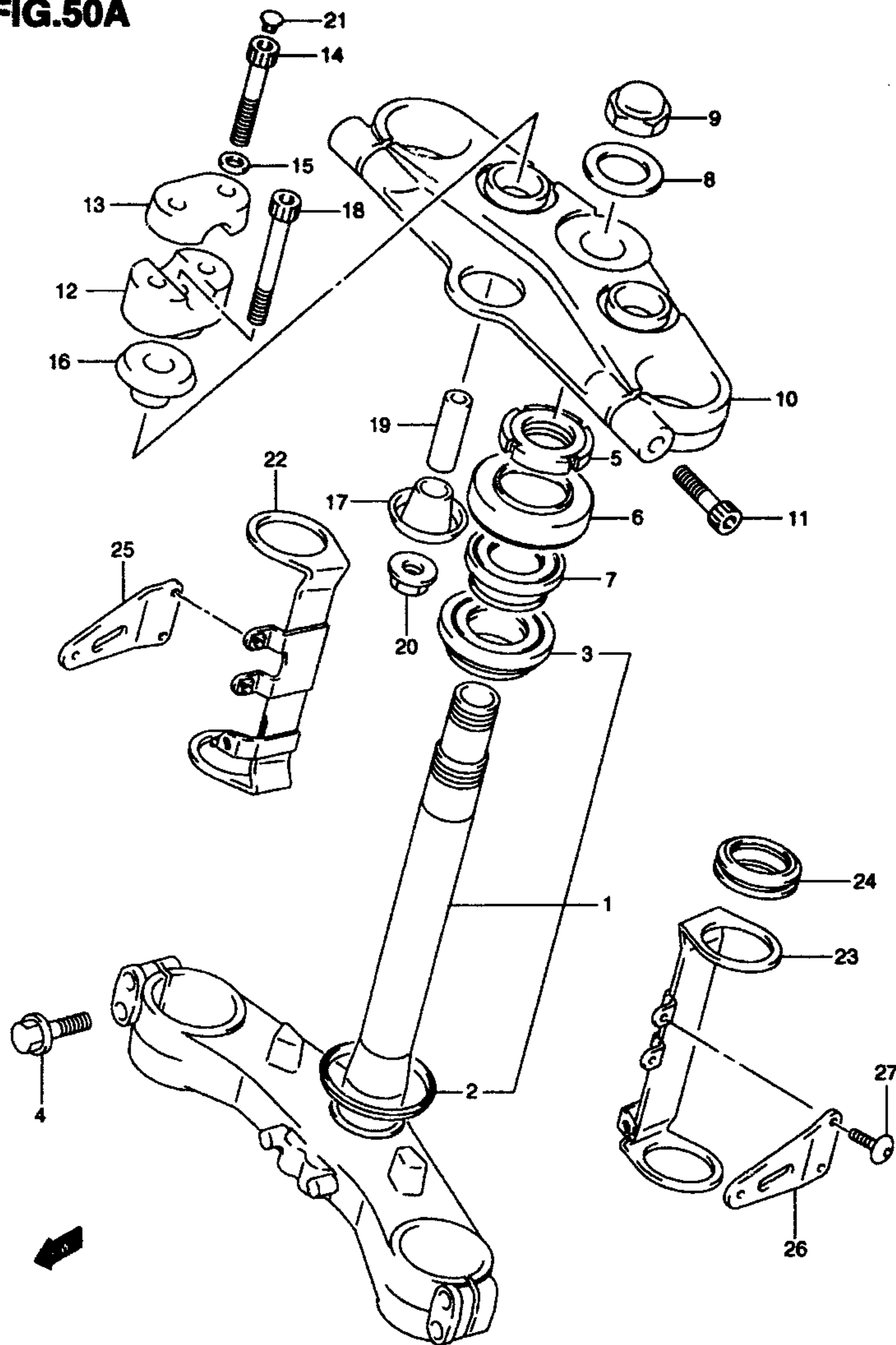


Fig.50A ( J-9 ) STEERING STEM (GSF1200K1/K2)

Ref #	Part Number	Description	Qty	Remarks
1	51410-32F00	STEM, STEERING	1	
2	51644-12C00	.SEAL, LOWER	1	
3	09267-30010	.BEARING (30X55X17)	1	
4	01550-08407	BOLT	4	
5	51631-31F00	NUT, STEERING STEM	1	
6	51643-40502	SEAL, STEERING DUST	1	
7	09267-25009	BEARING (25X47X15)	1	
8	51356-24B01	WASHER	1	
9	51353-24B00	NUT, CAP	1	
10	51311-32F00	HEAD, STEERING STEM	1	
11	07130-08357	BOLT	2	
12	56221-27E00	HOLDER, HANDLE UNDER	2	
13	56211-32F00	HOLDER, HANDLE UPPER	2	
14	07130-08307	BOLT	4	
15	09164-08015	WASHER	4	
16	56241-27E00	CUSHION RUBBER, UPPER	2	
17	56242-28C60	CUSHION RUBBER, UNDER	2	
18	56321-27E00	BOLT, HANDLE HOLDER	2	
19	56243-42A00	SPACER	2	
20	08319-31107	NUT	2	
21	09250-06011	CAP	4	
22	51530-32F00	BRACKET, LAMP HOUSING RH	1	
23	51540-32F00	BRACKET, LAMP HOUSING LH	1	
24	51553-15D00	DAMPER, BRACKET	4	
25	51851-31F00	STAY, LAMP HOUSING RH	1	
26	51861-31F00	STAY, LAMP HOUSING LH	1	
27	09139-06027	SCREW (6X12)	4	

GSF1200SK1 E03 E28\_050A  
FRONT FORK BRACKET

74 GSF1200, S K2 E3, E33

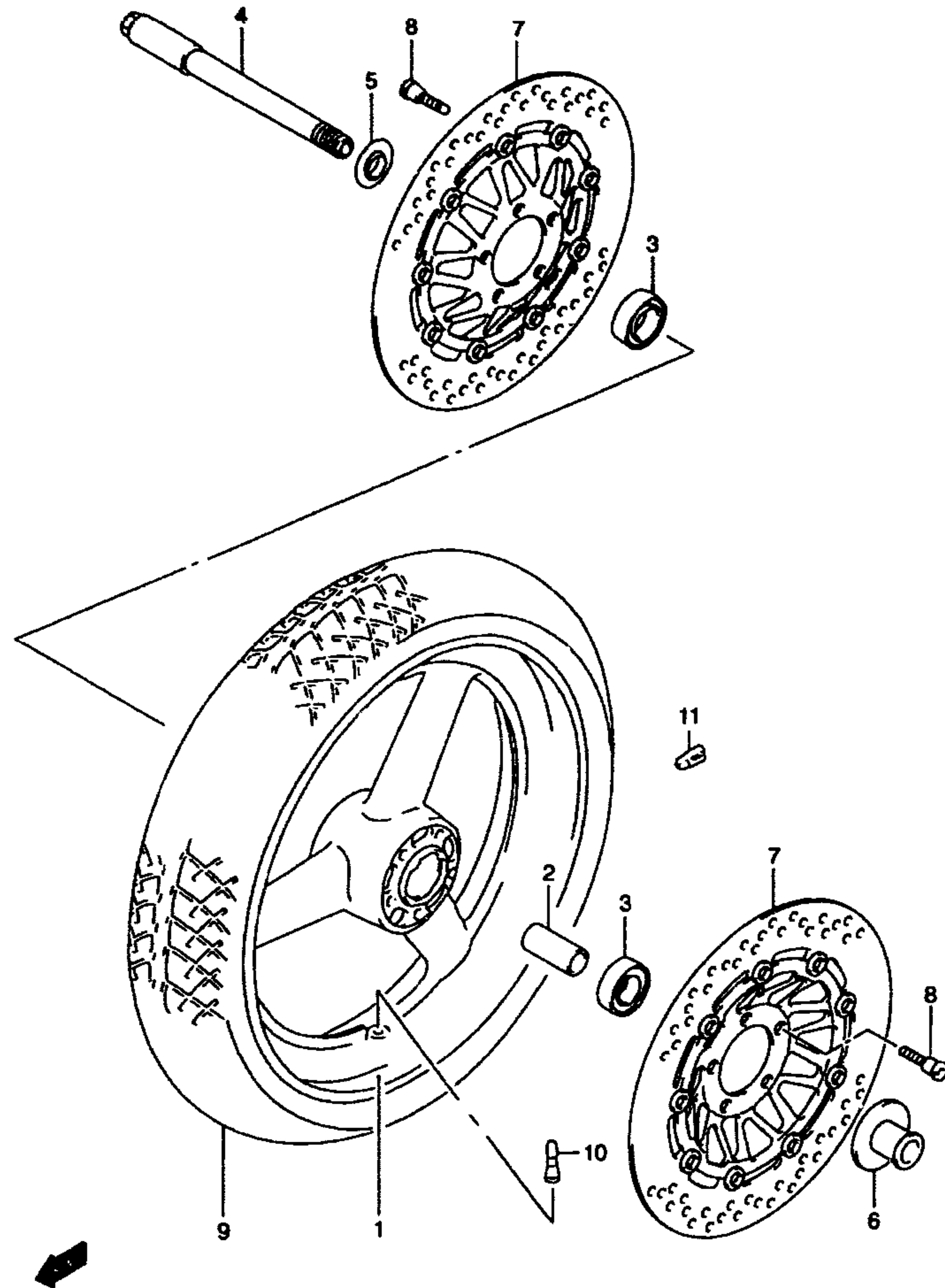
AIR CLEANER.....	C-07	COWLING BODY.....	I-02	FRAME COVER.....	H-03	GASKET SET.....	B-02	OIL COOLER.....	C-09	SEAT TAIL COVER.....	J-03	TRANSMISSION.....	D-04
ALTERNATOR.....	E-03	COWLING INSTALLATIO	I-04	FRAME.....	G-02	GEAR SHIFTING.....	D-08	OIL PAN.....	B-09	SEAT.....	J-02	TURN SIGNAL LAMP...	F-04
BATTERY.....	E-08	CRANKCASE COVER.....	B-08	FRONT BRAKE HOSE...	K-04	HANDLE LEVER.....	H-10	OIL PUMP.....	B-10	SECOND AIR.....	C-10	WIRING HARNESS.....	F-07
CAM CHAIN.....	C-03	CRANKCASE.....	B-08	FRONT CALIPERS.....	K-03	HANDLE SWITCH.....	F-09	OPTIONAL.....	L-07	SIGNAL GENERATOR...	E-04		
CAM SHAFT / VALVE...	C-02	CRANKSHAFT.....	B-11	FRONT DAMPER.....	J-07	HANDLEBAR.....	H-09	REAR CALIPER.....	L-06	SPEEDOMETER.....	E-07		
CANISTER.....	H-02	CYLINDER HEAD COVER	B-03	FRONT FENDER.....	H-07	HEADLAMP HOUSING...	H-08	REAR CUSHION LEVER	L-03	STAND.....	G-04		
CARBURETOR FITTING	C-08	CYLINDER HEAD.....	B-04	FRONT MASTER CYLIND	K-05	HEADLAMP.....	F-02	REAR FENDER.....	H-11	STARTER CLUTCH.....	B-12		
CARBURETOR.....	C-04	CYLINDER.....	B-05	FRONT WHEEL.....	K-02	LABEL.....	I-05	REAR MASTER CYLINDE	L-06	STARTING MOTOR.....	E-02		
CLUTCH MASTER CYLIN	K-07	ELECTRICAL.....	E-05	FUEL COCK.....	G-09	MANUAL BOX.....	H-05	REAR SWINGING ARM...	L-02	STEERING STEM.....	J-08		
CLUTCH.....	D-02	FOOTREST.....	G-08	FUEL TANK.....	G-07	MUFFLER.....	C-08	REAR WHEEL.....	L-04	TAIL LAMP.....	F-06		





FIG.51

Fig.51 ( K-2 ) FRONT WHEEL



Ref #	Part Number	Description	Qty	Remarks
1	54111-17E11-35W	WHEEL, FRONT (17XMT3.50)	1	(GRAY)
2	09180-20103	SPACER (20.8X27.2X74)	1	
3	08123-62047	BEARING	2	
4	54711-17C10	AXLE, FRONT	1	
5	54740-17C00	SPACER, FRONT AXLE RH	1	
6	54750-32F00	SPACER, FRONT AXLE LH	1	
7	59210-31E30	DISC, FRONT BRAKE RH	2	
8	09106-08125	BOLT (8X33)	10	
9	55110-32F00	TIRE, FRONT, 120/70 ZR17 (58W)	1	(BRIDGESTONE)
10	43130-24A00	VALVE ASSY, WHEEL RIM (TR412)	1	
11-1	55411-00A00	BALANCER, WHEEL (10G)	0&3	
11-2	55412-00A01	BALANCER, WHEEL (20G)	0&3	

GSF1200SK1 E03 E28\_051  
FRONT WHEEL

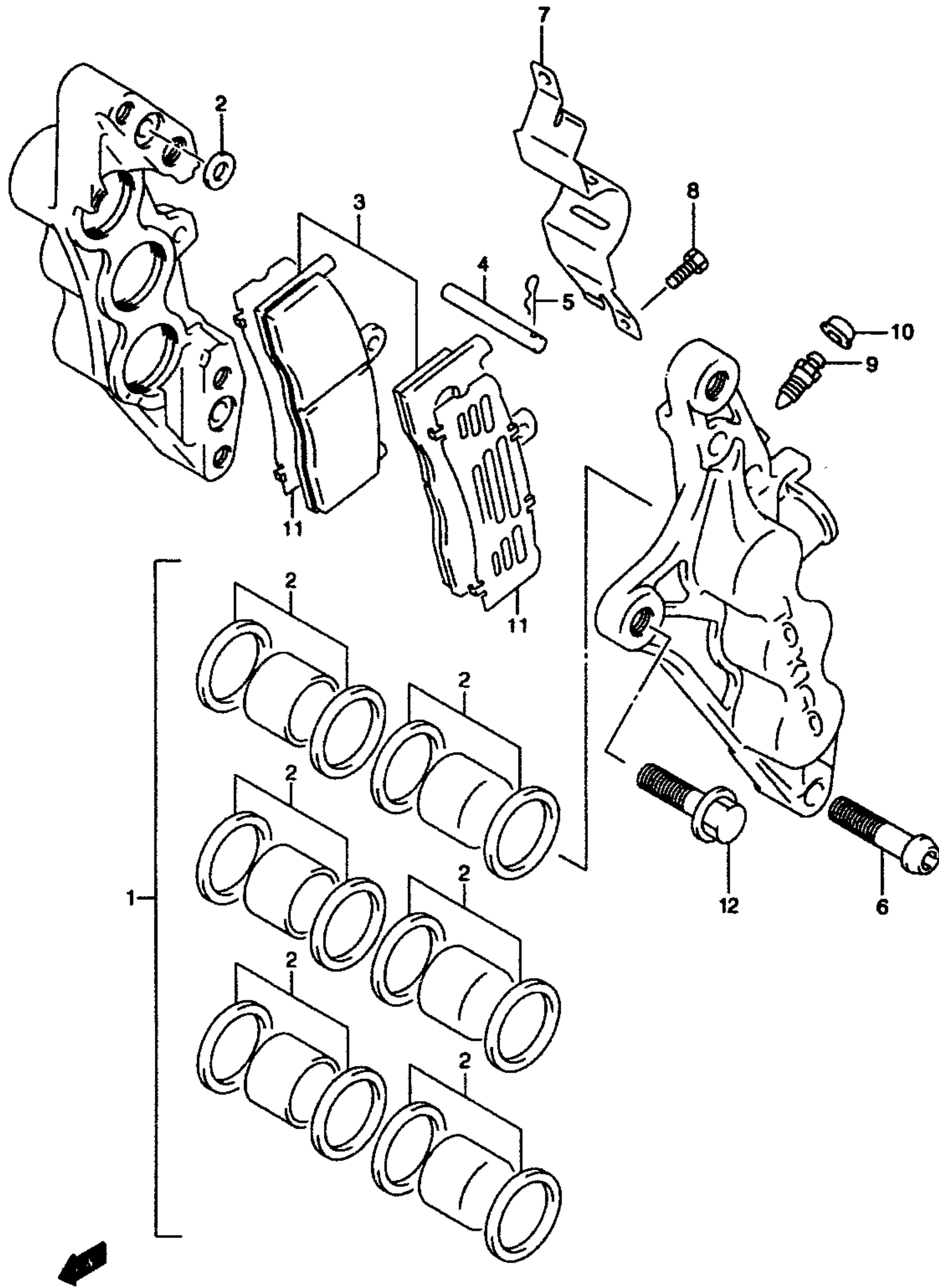
75 GSF1200, S K2 E3, E33

K 2

AIR CLEANER.....	C-07	COWLING BODY.....	I-02	FRAME COVER.....	H-03	GASKET SET.....	B-02	OIL COOLER.....	C-09	SEAT TAIL COVER....	J-03	TRANSMISSION.....	D-04
ALTERNATOR.....	E-03	COWLING INSTALLATIO	I-04	FRAME.....	G-02	GEAR SHIFTING.....	D-08	OIL PAN.....	B-09	SEAT.....	J-02	TURN SIGNAL LAMP...	F-04
BATTERY.....	E-06	CRANKCASE COVER.....	B-08	FRONT BRAKE HOSE...	K-04	HANDLE LEVER.....	H-10	OIL PUMP.....	B-10	SECOND AIR.....	C-10	WIRING HARNESS....	F-07
CAM CHAIN.....	C-03	CRANKCASE.....	B-06	FRONT CALIPERS.....	K-03	HANDLE SWITCH.....	F-09	OPTIONAL.....	L-07	SIGNAL GENERATOR...	E-04		
CAM SHAFT / VALVE..	C-02	CRANKSHAFT.....	B-11	FRONT DAMPER.....	J-07	HANDLEBAR.....	H-09	REAR CALIPER.....	L-05	SPEEDOMETER.....	E-07		
CANISTER.....	H-02	CYLINDER HEAD COVER	B-03	FRONT FENDER.....	H-07	HEADLAMP HOUSING...	H-06	REAR CUSHION LEVER.	L-03	STAND.....	G-04		
CARBURETOR FITTING.	C-06	CYLINDER HEAD.....	B-04	FRONT MASTER CYLIND	K-05	HEADLAMP.....	F-02	REAR FENDER.....	H-11	STARTER CLUTCH....	B-12		
CARBURETOR.....	C-04	ELECTRICAL.....	E-05	FUEL COCK.....	G-09	LABEL.....	I-05	REAR MASTER CYLINDE	L-08	STARTING MOTOR....	E-02		
CLUTCH MASTER CYLIN	K-07	FOOTREST.....	G-05	FUEL TANK.....	G-07	MANUAL BOX.....	H-05	REAR SWINGING ARM..	L-02	STEERING STEM....	J-08		
CLUTCH.....	D-02					MUFFLER.....	C-08	REAR WHEEL.....	L-04	TAIL LAMP.....	F-08		

FIG.52

Fig.52 ( K-3 ) FRONT CALIPERS



Ref #	Part Number	Description	Qty	Remarks
	59100-33E30	CALIPER ASSY, FRONT RH	1	
	59300-33E30	CALIPER ASSY, FRONT LH	1	
1	59300-33870	.PISTON SET	2	
2	59300-33880	.SEAL SET, PISTON	2	
3	59301-33890	.PAD SET	2	
4	69141-45000	.PIN	2	
5	69142-45000	.CLIP	2	
6	59145-33E00	.BOLT	8	
7	59151-46E00	.COVER	2	
8	59153-22D00	.SCREW	4	
9	59121-18410	.BLEEDER	2	
10	55156-66310	.CAP	2	
11	59171-33E00	.SHIM	4	
12	01550-10303	BOLT	4	

GSF1200SK1 E03 E28\_052  
FRONT CALIPER

76 GSF1200, S K2 E3, E33

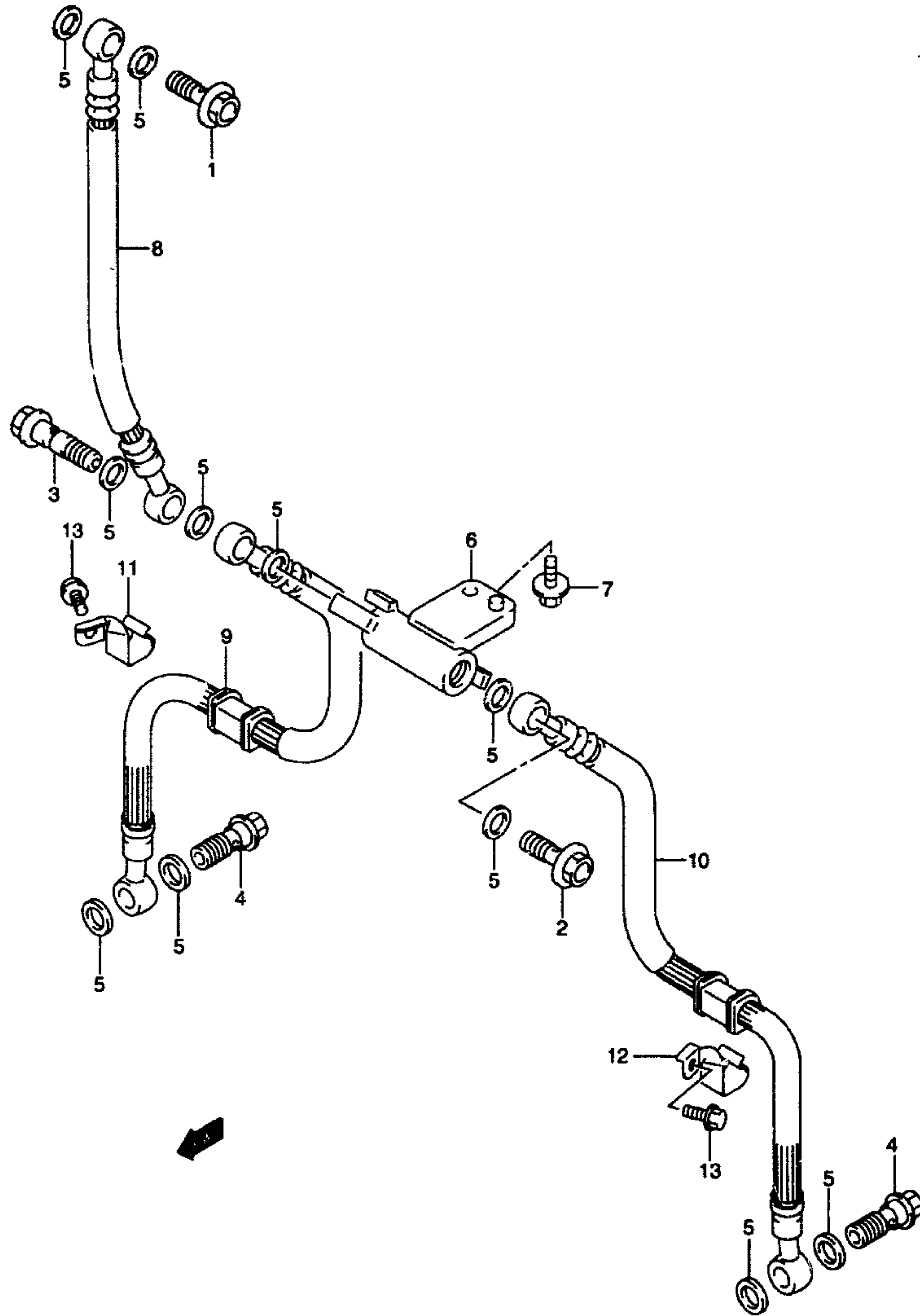
K 3

AIR CLEANER.....	C-07	COWL / G BODY.....	I-02	FRAME COVER.....	H-03	GASKET SET.....	B-02	OIL COOLER.....	C-09	SEAT TAIL COVER....	J-03	TRANSMISSION.....	D-04
ALTERATOR.....	E-03	COWLING INSTALLATIO	I-04	FRAME.....	G-02	GEAR SHIFTING.....	D-06	OIL PAN.....	B-09	SEAT.....	J-02	TURN SIGNAL LAMP...	F-04
BATTERY.....	E-06	CRANKCASE COVER....	B-08	FRONT BRAKE HOSE...	K-04	HANDLE LEVER.....	H-10	OIL PUMP.....	B-10	SECOND AIR.....	C-10	WIRING HARNESS....	F-07
CAM CHAIN.....	C-03	CRANKCASE.....	B-06	FRONT CALIPERS.....	K-03	HANDLE SWITCH.....	F-09	OPTIONAL.....	L-07	SIGNAL GENERATOR...	E-04		
CAM SHAFT / VALVE..	C-02	CRANKSHAFT.....	B-11	FRONT DAMPER.....	J-07	HANDLEBAR.....	H-09	REAR CALIPER.....	L-05	SPEEDOMETER.....	E-07		
CANISTER.....	H-02	CYLINDER HEAD COVER	B-03	FRONT FENDER.....	H-07	HEADLAMP HOUSING..	H-06	REAR CUSHION LEVER	L-03	STAND.....	G-04		
CARBURETOR FITTING	C-06	CYLINDER HEAD.....	B-04	FRONT MASTER CYLIND	K-05	HEADLAMP.....	F-02	REAR FENDER.....	H-11	STARTER CLUTCH....	B-12		
CARBURETOR.....	C-04	CYLINDER.....	B-05	FRONT WHEEL.....	K-02	LABEL.....	I-05	REAR MASTER CYLINDE	L-06	STARTING MOTOR....	E-02		
CLUTCH MASTER CYLIN	K-07	ELECTRICAL.....	E-05	FUEL COCK.....	G-09	MANUAL BOX.....	E-05	REAR SWINGING ARM..	L-02	STEERING MOTOR....	J-08		
CLUTCH.....	D-02	FOOTREST.....	G-06	FUEL TANK.....	G-07	MUFFLER.....	C-08	REAR WHEEL.....	L-04	TAIL LAMP.....	F-06		



**FIG.53**

Fig.53 ( K-4 ) FRONT BRAKE HOSE



Ref #	Part Number	Description	Qty	Remarks
1	09360-10041	BOLT, UPPER (10X1.00X22)	1	
2	09360-10041	BOLT, JOINT (10X1.00X22)	1	
3	09360-10043	BOLT (10X1.00X36)	1	
4	09360-10042	BOLT, LOWER (10X1.25X22)	2	
5	09161-10009	WASHER (10X15X1.5)	11	
6	59491-17E00	JOINT, BRAKE HOSE	1	
7	01550-06163	BOLT	1	
8-1	59480-31F10	HOSE, FRONT BRAKE NO.1	1	GSF1200SK1/SK2
8-2	59480-31F00	HOSE, FRONT BRAKE NO.1	1	GSF1200K1/K2
9	59240-32F00	HOSE, FRONT BRAKE NO.2 RH	1	
10	59440-32F00	HOSE, FRONT BRAKE NO.2 LH	1	
11	59268-32F00	CLAMP, BRAKE HOSE NO.2 RH	1	
12	59269-32F00	CLAMP, BRAKE HOSE NO.2 LH	1	
13	01550-06123	BOLT	2	

GSF1200SK1 E03 E28\_053  
FRONT BRAKE HOSE

77 GSF1200, S K2 E3, E33

K 4

AIR CLEANER.....	C-07	COWLING BODY.....	I-02	FRAME COVER.....	H-03	GASKET SET.....	B-02	OIL COOLER.....	C-09	SEAT TAIL COVER....	J-03	TRANSMISSION.....	D-04
ALTERNATOR.....	E-03	COWLING INSTALLATIO	I-04	FRAME.....	C-02	GEAR SHIFTING.....	D-08	OIL PAN.....	B-09	SEAT.....	J-02	TURN SIGNAL LAMP...	F-04
BATTERY.....	E-08	CRANKCASE COVER....	B-08	FRONT BRAKE HOSE ..	K-04	HANDLE LEVER.....	H-10	OIL PUMP.....	B-10	SECOND AIR.....	C-10	WIRING HARNESS....	F-07
CAM CHAIN.....	C-03	CRANKCASE.....	B-08	FRONT CALIPERS.....	-03	HANDLE SWITCH.....	F-09	OPTIONAL.....	L-07	SIGNAL GENERATOR...	E-04		
CAM SHAFT / VALVE..	C-02	CRANKSHAFT.....	B-11	FRONT DAMPER.....	J-07	HANDLEBAR.....	H-09	REAR CALIPER.....	L-05	SPEEDOMETER.....	E-07		
CANISTER.....	H-02	CYLINDER HEAD COVER	B-03	FRONT FENDER.....	H-07	HEADLAMP HOUSING..	H-08	REAR CUSHION LEVER	L-03	STAND.....	G-04		
CARBURETOR FITTING	C-06	CYLINDER HEAD.....	B-04	FRONT MASTER CYLIND	K-05	HEADLAMP.....	F-02	REAR FENDER.....	H-11	STARTER CLUTCH....	B-12		
CARBURETOR.....	C-04	CYLINDER.....	B-05	FRONT WHEEL.....	K-02	LABEL.....	I-05	REAR MASTER CYLINDE	L-06	STARTING MOTOR....	E-02		
CLUTCH MASTER CYLIN	K-07	ELECTRICAL.....	E-05	FUEL COCK.....	G-09	MANUAL BOX.....	H-05	REAR SWINGING ARM..	L-02	STEERING STEM....	J-06		
CLUTCH.....	D-02	FOOTREST.....	G-05	FUEL TANK.....	G-07	MUFFLER.....	C-08	REAR WHEEL.....	L-04	TAIL LAMP.....	F-08		

**FIG.54**

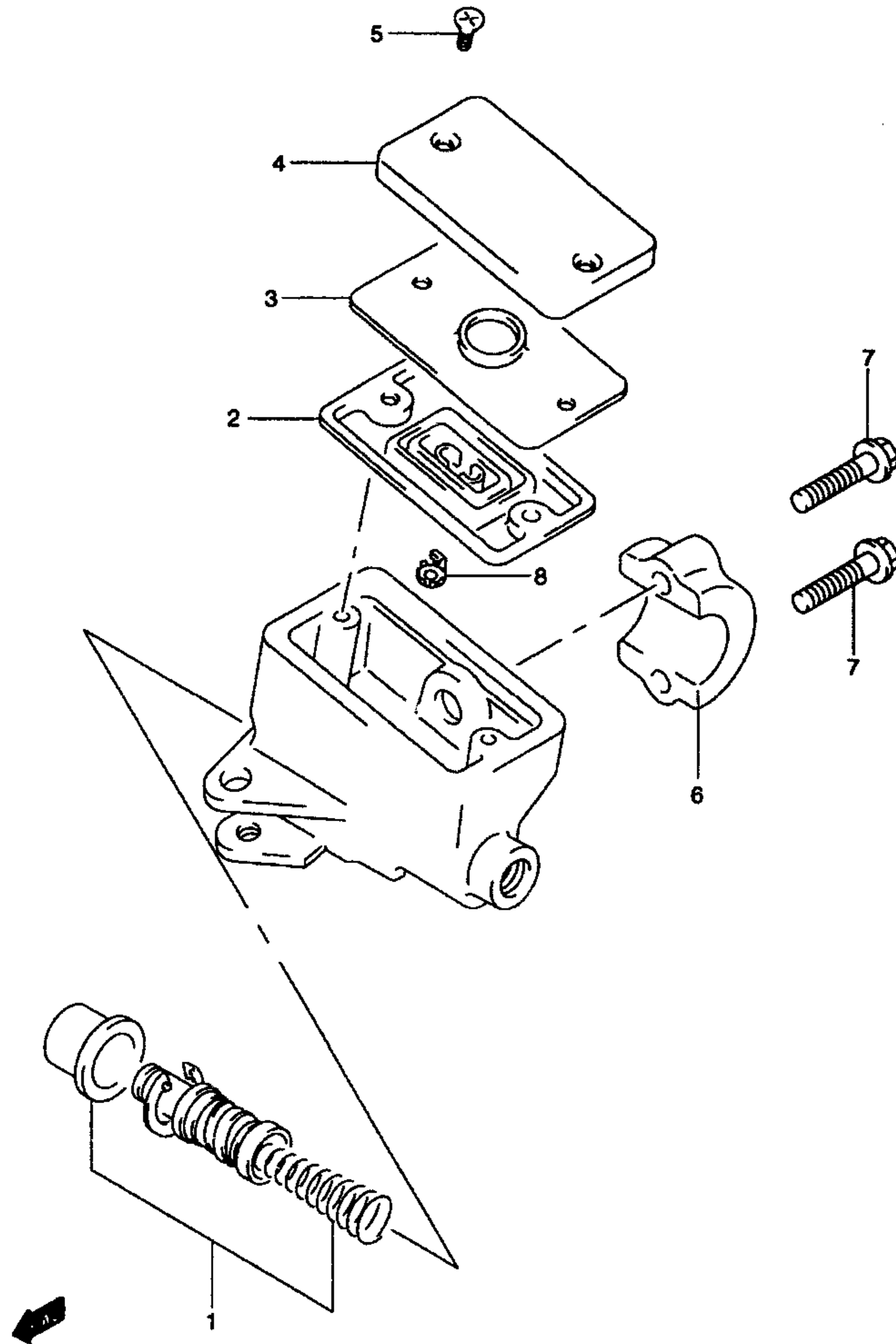


Fig.54 ( K-5 ) FRONT MASTER CYLINDER (GSF1200SK1/SK2)

Ref #	Part Number	Description	Qty	Remarks
	59600-20C00	CYLINDER ASSY, FRONT MASTER	1	
1	59600-45860	.PISTON/CUP SET	1	
2	59667-49460	.DIAPHRAGM	1	
3	59668-41C00	.PLATE, DIAPHRAGM	1	
4	59669-41C00	.CAP	1	
5	69689-49300	.SCREW	2	
6	59671-19B00	.HOLDER	1	
7	59675-19C00	.BOLT, HOLDER (6X25)	2	
8	59664-48B00	.PROTECTOR	1	

GSF1200SK1 E03 E28\_054  
FRONT MASTER CYLINDER

78 GSF1200, S K2 E3, E33

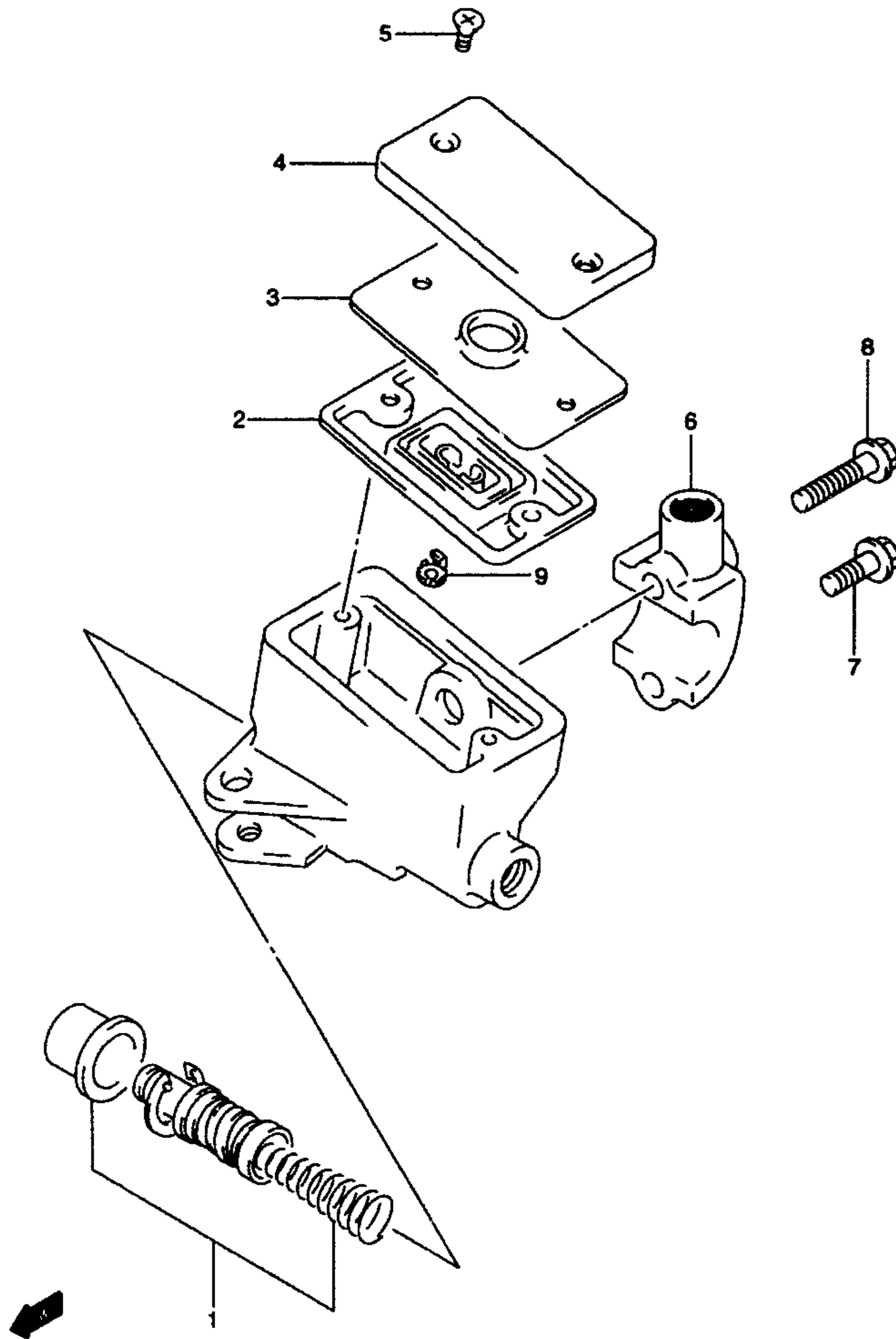
**K5**

AIR CLEANER.....	C-07	COWLING BODY.....	I-02	FRAME COVER.....	H-03	GASKET SET.....	B-02	OIL COOLER.....	C-09	SEAT TAIL COVER....	J-03	TRANSMISSION.....	D-04
ALTERNATOR.....	E-03	COWLING INSTALLATIO	I-04	FRAME.....	G-02	GEAR SHIFTING.....	D-06	OIL PAN.....	B-09	SEAT.....	J-02	TURN SIGNAL LAMP...	F-04
BATTERY.....	E-06	CRANKCASE COVER....	B-08	FRONT BRAKE HOSE...	K-04	HANDLE LEVER.....	H-10	OIL PUMP.....	B-10	SECOND AIR.....	C-10	WIRING HARNESS....	F-07
CAM CHAIN.....	C-03	CRANKCASE.....	B-06	FRONT CALIPERS.....	K-03	HANDLE SWITCH.....	F-09	OPTIONAL.....	L-07	SIGNAL GENERATOR...	E-04		
CAM SHAFT / VALVE..	C-02	CRANKSHAFT.....	B-11	FRONT DAMPER.....	J-07	HANDLEBAR.....	H-09	REAR CALIPER.....	L-05	SPEEDOMETER.....	E-07		
CANISTER.....	H-02	CYLINDER HEAD COVER	B-03	FRONT FENDER.....	H-07	HEADLAMP HOUSING...	H-08	REAR CUSHION LEVER.	L-03	STAND.....	G-04		
CARBURETOR FITTING.	C-06	CYLINDER HEAD.....	B-04	FRONT MASTER CYLIND	K-05	HEADLAMP.....	F-02	REAR FENDER.....	H-11	STARTER CLUTCH....	B-12		
CARBURETOR.....	C-04	CYLINDER.....	B-05	FRONT WHEEL.....	K-02	LABEL.....	L-05	REAR MASTER CYLINDE	L-06	STARTING MOTOR....	E-02		
CLUTCH MASTER CYLIN	K-07	ELECTRICAL.....	E-05	FUEL COCK.....	G-09	MANUAL BOX.....	H-05	REAR SWINGING ARM..	L-02	STEERING STEM....	J-08		
CLUTCH.....	D-02	FOOTREST.....	G-05	FUEL TANK.....	G-07	MUFFLER.....	C-08	REAR WHEEL.....	L-04	TAIL LAMP.....	F-06		



**FIG.54A**

Fig.54A ( K-6 ) FRONT MASTER CYLINDER (GSF1200K1/K2)



Ref #	Part Number	Description	Qty	Remarks
	59600-20C20	CYLINDER ASSY, FRONT MASTER	1	
1	59600-45860	.PISTON/CUP SET	1	
2	59667-49460	.DIAPHRAGM	1	
3	59668-41C00	.PLATE	1	
4	59669-41C00	.CAP	1	
5	69689-49300	.SCREW	2	
6	59671-44300	.HOLDER	1	
7	59675-19C00	.BOLT (6X25)	1	
8	59675-19C10	.BOLT (6X38)	1	
9	59664-48B00	.PROTECTOR	1	

GSF1200SK1 E03 E28\_054A  
FRONT MASTER CYLINDER

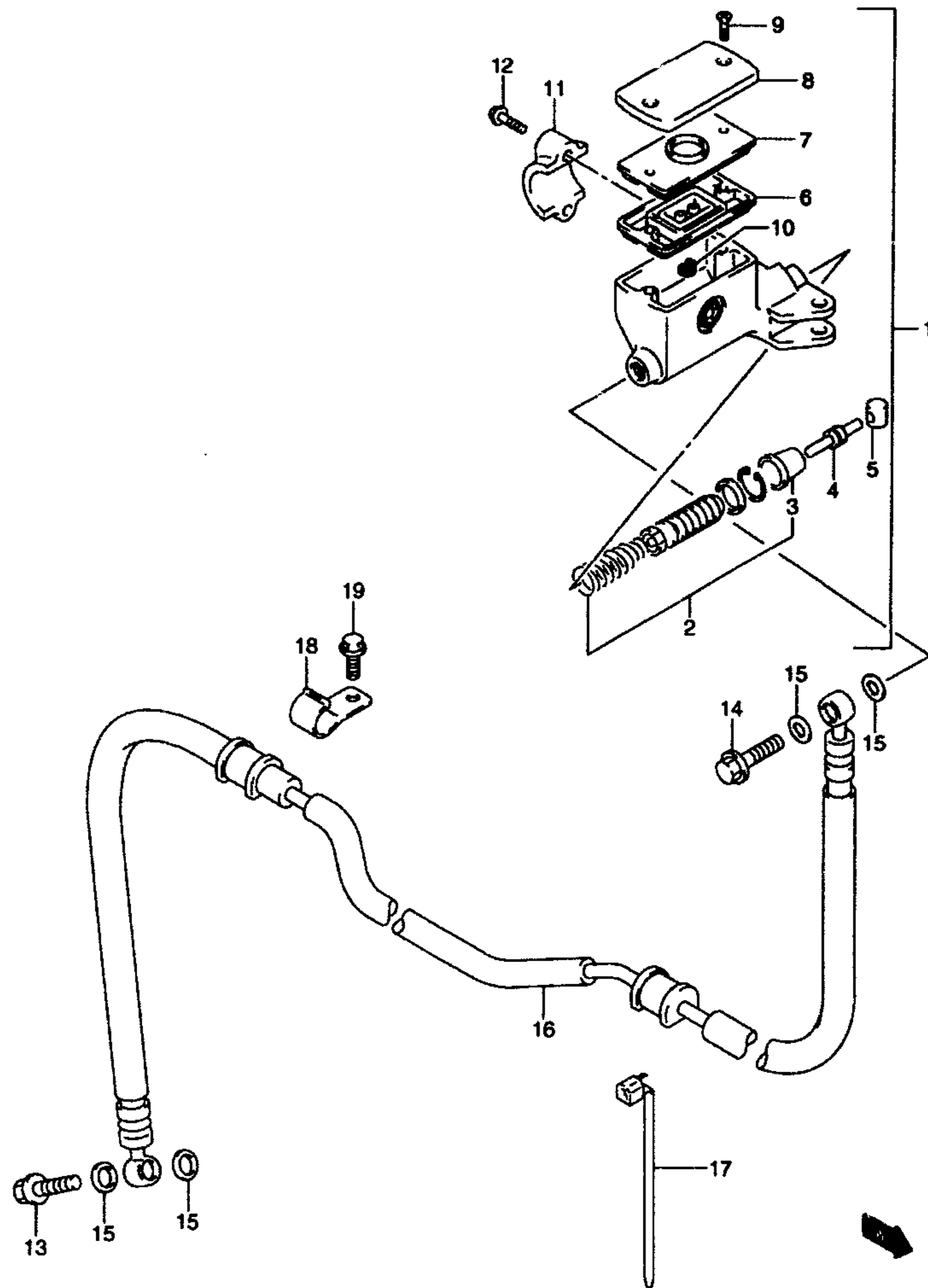
79 GSF1200, S K2 E3, E33

K 6

AIR CLEANER.....	C-07	COWLING BODY.....	I-02	FRAME COVER.....	H-03	GASKET SET.....	B-02	OIL COOLER.....	C-09	SEAT TAIL COVER....	J-03	TRANSMISSION.....	D-04
ALTERNATOR.....	E-03	COWLING INSTALLATIO	I-04	FRAME.....	G-02	GEAR SHIFTING.....	D-08	OIL PAN.....	B-09	SEAT.....	J-02	TURN SIGNAL LAMP...	F-04
BATTERY.....	E-08	CRANKCASE COVER....	B-08	FRONT BRAKE HOSE...	K-04	HANDLE LEVER.....	H-10	OIL PUMP.....	B-10	SECOND AIR.....	C-10	WIRING HARNESS....	F-07
CAM CHAIN.....	C-03	CRANKCASE.....	B-06	FRONT CALIPERS.....	K-03	HANDLE SWITCH.....	F-09	OPTIONAL.....	L-07	SIGNAL GENERATOR...	E-04		
CAM SHAFT / VALVE..	C-02	CRANKSHAFT.....	B-11	FRONT DAMPER.....	J-07	HANDLEBAR.....	H-09	REAR CALIPER.....	L-05	SPEEDOMETER.....	E-07		
CANISTER.....	H-02	CYLINDER HEAD COVER	B-03	FRONT FENDER.....	H-07	HEADLAMP HOUSING...	H-08	REAR CUSHION LEVER.	L-03	STAND.....	G-04		
CARBURETOR FITTING.	F-08	CYLINDER HEAD.....	B-04	FRONT MASTER CYLIND	K-05	HEADLAMP.....	F-02	REAR FENDER.....	H-11	STARTER CLUTCH....	B-12		
CARBURETOR.....	C-04	CYLINDER.....	B-05	FRONT WHEEL.....	K-02	LABEL.....	I-05	REAR MASTER CYLINDE	L-06	STARTING MOTOR....	E-02		
CLUTCH MASTER CYLIN	K-07	ELECTRICAL.....	E-05	FUEL COCK.....	G-09	MANUAL BOX.....	H-05	REAR SWINGING ARM..	L-02	STEERING STEM....	J-08		
CLUTCH.....	D-02	FOOTREST.....	G-05	FUEL TANK.....	G-07	MUFFLER.....	C-08	REAR WHEEL.....	L-04	TAIL LAMP.....	F-06		

FIG.55

Fig.55 ( K-7 ) CLUTCH MASTER CYLINDER (GSF1200SK1/SK2)



Ref #	Part Number	Description	Qty	Remarks
1	59800-32F10	CYLINDER ASSY, CLUTCH MASTER	1	
2	59800-08810	.PISTON/CUP SET	1	
3	59666-44300	.BOOT	1	
4	59871-38A00	.ROD, PUSH	1	
5	59892-08A00	.BUSH	1	
6	59667-49460	.DIAPHRAGM	1	
7	59668-41C00	.PLATE	1	
8	59669-41C00	.CAP	1	
9	69689-49300	.SCREW	2	
10	59664-32F00	.PROTECTOR	1	
11	59671-36500	.HOLDER	1	
12	59675-02FA0	.BOLT	2	
13	09360-10041	BOLT (10X1.00X22)	1	
14	09360-10042	BOLT (10X1.25X22)	1	
15	09161-10009	WASHER (10X15X1.5)	4	
16	59910-32F00	HOSE, CLUTCH	1	
17	09407-14403	CLAMP	1	
18	59915-32F00	CLAMP	1	
19	01547-06123	BOLT	1	

GSF1200SK1 E03 E28\_055  
CLUTCH MASTER CYLINDER

80 GSF1200, S K2 E3, E33

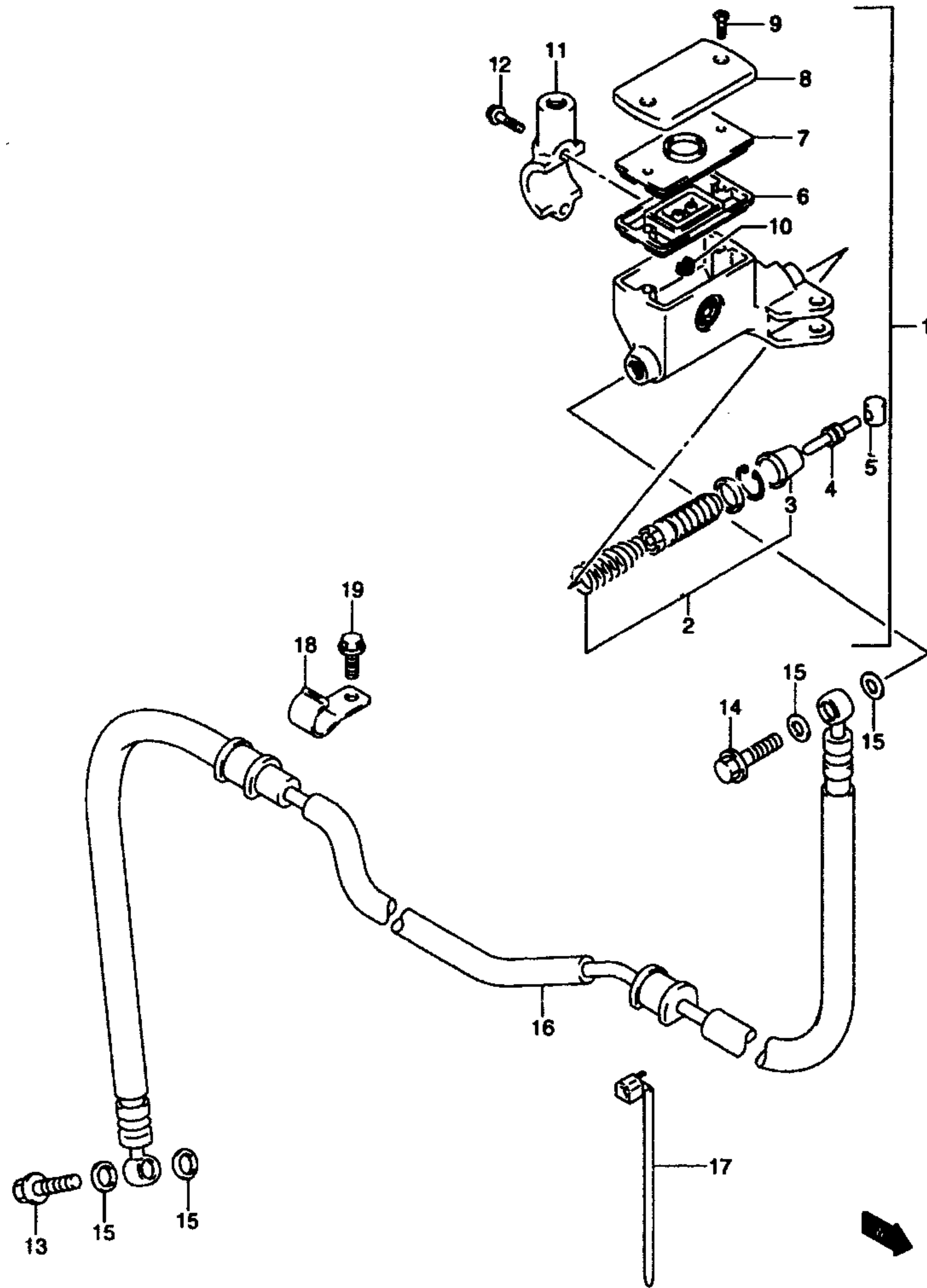
K7

AIR CLEANER.....	C-07	COWLING BODY.....	I-02	FRAME COVER.....	H-03	GASKET SET.....	B-02	OIL COOLER.....	C-09	SEAT TAIL COVER.....	J-03	TRANSMISSION.....	D-04
ALTERNATOR.....	E-03	COWLING INSTALLATIO	I-04	FRAME.....	G-02	GEAR SHIFTING.....	D-08	OIL PAN.....	B-09	SEAT.....	J-02	TURN SIGNAL LAMP...	F-04
BATTERY.....	E-06	CRANKCASE COVER...	B-08	FRONT BRAKE HOSE...	K-04	HANDLE LEVER.....	H-10	OIL PUMP.....	B-10	SECOND AIR.....	C-10	WIRING HARNESS.....	F-07
CAL. CHAIN.....	C-03	CRANKCASE.....	B-08	FRONT CALIPERS.....	K-03	HANDLE SWITCH.....	F-09	OPTIONAL.....	L-07	SIGNAL GENERATOR...	E-04		
CAM SHAFT / VALVE..	C-02	CRANKSHAFT.....	B-11	FRONT DAMPER.....	J-07	HANDLEBAR.....	H-09	REAR CALIPER.....	L-06	SPEEDOMETER.....	E-07		
CANISTER.....	H-02	CYLINDER HEAD COVER	B-03	FRONT FENDER.....	H-07	HEADLAMP HOUSING..	H-08	REAR CUSHION LEVER.	L-03	STAND.....	G-04		
CARBURETOR FITTING.	C-06	CYLINDER HEAD.....	B-04	FRONT MASTER CYLIND	K-05	HEADLAMP.....	F-02	REAR FENDER.....	H-11	STARTER CLUTCH.....	B-12		
CARBURETOR.....	C-04	CYLINDER.....	B-05	FRONT WHEEL.....	K-02	LABEL.....	I-05	REAR MASTER CYLINDE	L-08	STARTING MOTOR.....	E-02		
CLUTCH MASTER CYLIN	K-07	ELECTRICAL.....	E-05	FUEL COCK.....	G-09	MANUAL BOX.....	H-05	REAR SWINGING ARM..	L-02	STEERING STEM.....	J-08		
CLUTCH.....	D-02	FOOTREST.....	G-05	FUEL TANK.....	G-07	MUFFLER.....	C-08	REAR WHEEL.....	L-04	TAIL LAMP.....	F-06		



FIG.55A

Fig.55A ( K-8 ) CLUTCH MASTER CYLINDER (GSF1200K1/K2)



Ref #	Part Number	Description	Qty	Remarks
1	59800-32F00	CYLINDER ASSY, CLUTCH MASTER	1	
2	59800-08810	.PISTON/CUP SET	1	
3	59666-44300	.BOOT	1	
4	59871-38A00	.ROD, PUSH	1	
5	59892-08A00	.BUSH	1	
6	59667-49460	.DIAPHRAGM	1	
7	59668-41C00	.PLATE	1	
8	59669-41C00	.CAP	1	
9	69689-49300	.SCREW	2	
10	59664-32F00	.PROTECTOR	1	
11	59671-32F00	.HOLDER	1	
12	59675-02FA0	.BOLT	2	
13	09360-10041	BOLT (10X1.00X22)	1	
14	09360-10042	BOLT (10X1.25X22)	1	
15	09161-10009	WASHER (10X15X1.5)	4	
16	59910-32F00	HOSE, CLUTCH	1	
17	09407-14403	CLAMP	1	
18	59915-32F00	CLAMP	1	
19	01547-06123	BOLT	1	

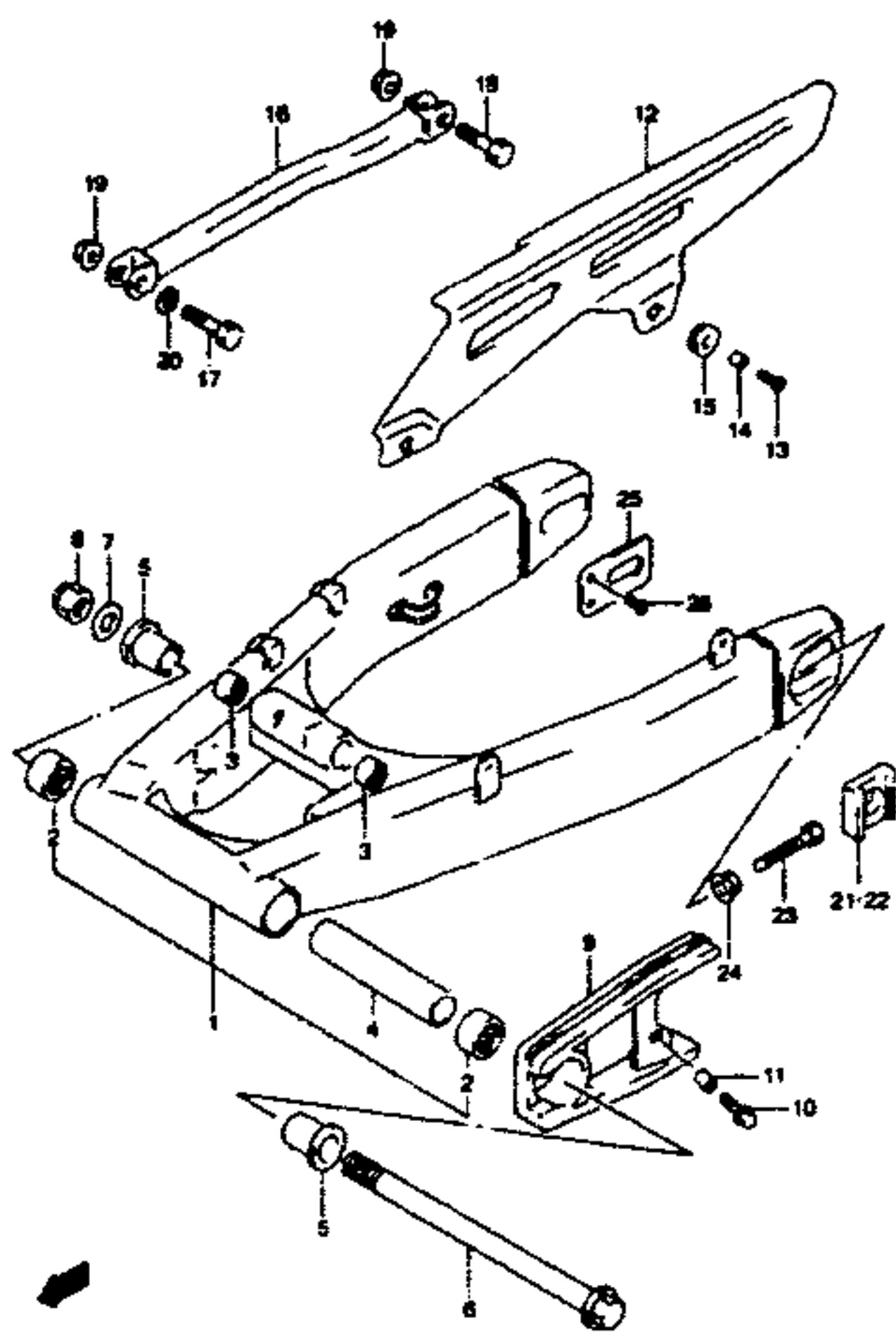
GSF1200SK1 E03 E28\_055A  
CLUTCH MASTER CYLINDER

81 GSF1200, S K2 E3, E33

K 8

AIR CLEANER.....	C-07	COWLING BODY.....	I-02	FRAME COVER.....	H-03	GASKET SET.....	B-02	OIL COOLER.....	C-09	SEAT TAIL COVER.....	J-03	TRANSMISSION.....	D-04
ALTERNATOR.....	E-03	COWLING INSTALLATIO	I-04	FRAME.....	G-02	GEAR SHIFTING.....	D-06	OIL PAN.....	B-09	SEAT.....	J-02	TURN SIGNAL LAMP...	F-04
BATTERY.....	E-06	CRANKCASE COVER....	B-08	FRONT BRAKE HOSE...	K-04	HANDLE LEVER.....	H-10	OIL PUMP.....	B-10	SECOND AIR.....	C-10	WIRING HARNESS.....	F-07
CAM CHAIN.....	C-03	CRANKCASE.....	B-06	FRONT CALIPERS.....	K-03	HANDLE SWITCH.....	F-09	OPTIONAL.....	L-07	SIGNAL GENERATOR...	E-04		
CAM SHAFT / VALVE..	C-02	CRANKSHAFT.....	B-11	FRONT DAMPER.....	J-07	HANDLEBAR.....	H-09	REAR CALIPER.....	L-06	SPEEDOMETER.....	E-07		
CANISTER.....	H-02	CYLINDER HEAD COVER	B-03	FRONT FENDER.....	H-07	HEADLAMP HOUSING...	H-08	REAR CUSHION LEVER	L-03	STAND.....	G-04		
CARBURETOR FITTING	C-06	CYLINDER HEAD.....	B-04	FRONT MASTER CYLIND	K-05	HEADLAMP.....	F-02	REAR FENDER.....	H-11	STARTER CLUTCH.....	B-12		
CARBURETOR.....	C-04	CYLINDER.....	B-05	FRONT WHEEL.....	K-02	LABEL.....	I-05	REAR MASTER CYLINDE	L-06	STARTING MOTOR.....	E-02		
CLUTCH MASTER CYLIN	K-07	ELECTRICAL.....	E-05	FUEL COCK.....	G-06	MANUAL BOX.....	H-05	REAR SWINGING ARM..	L-02	STEERRNG STEM.....	J-08		
CLUTCH.....	D-02	FOOTREST.....	G-05	FUEL TANK.....	G-07	MUFFLER.....	C-08	REAR WHEEL.....	L-04	TAIL LAMP.....	F-06		

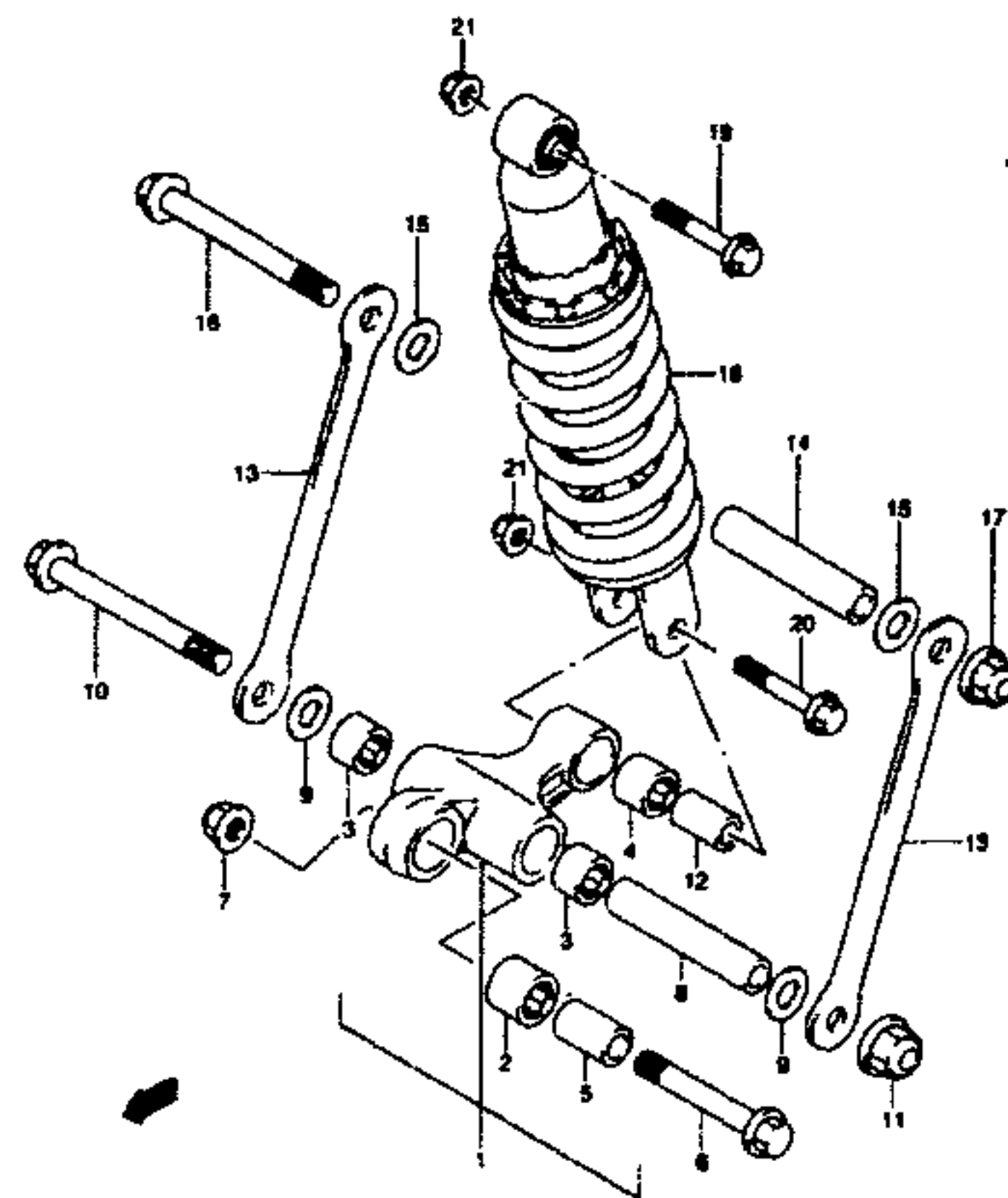
FIG.56



GSF1200SK1 E03 E28\_056  
REAR SWINGING ARM

L2

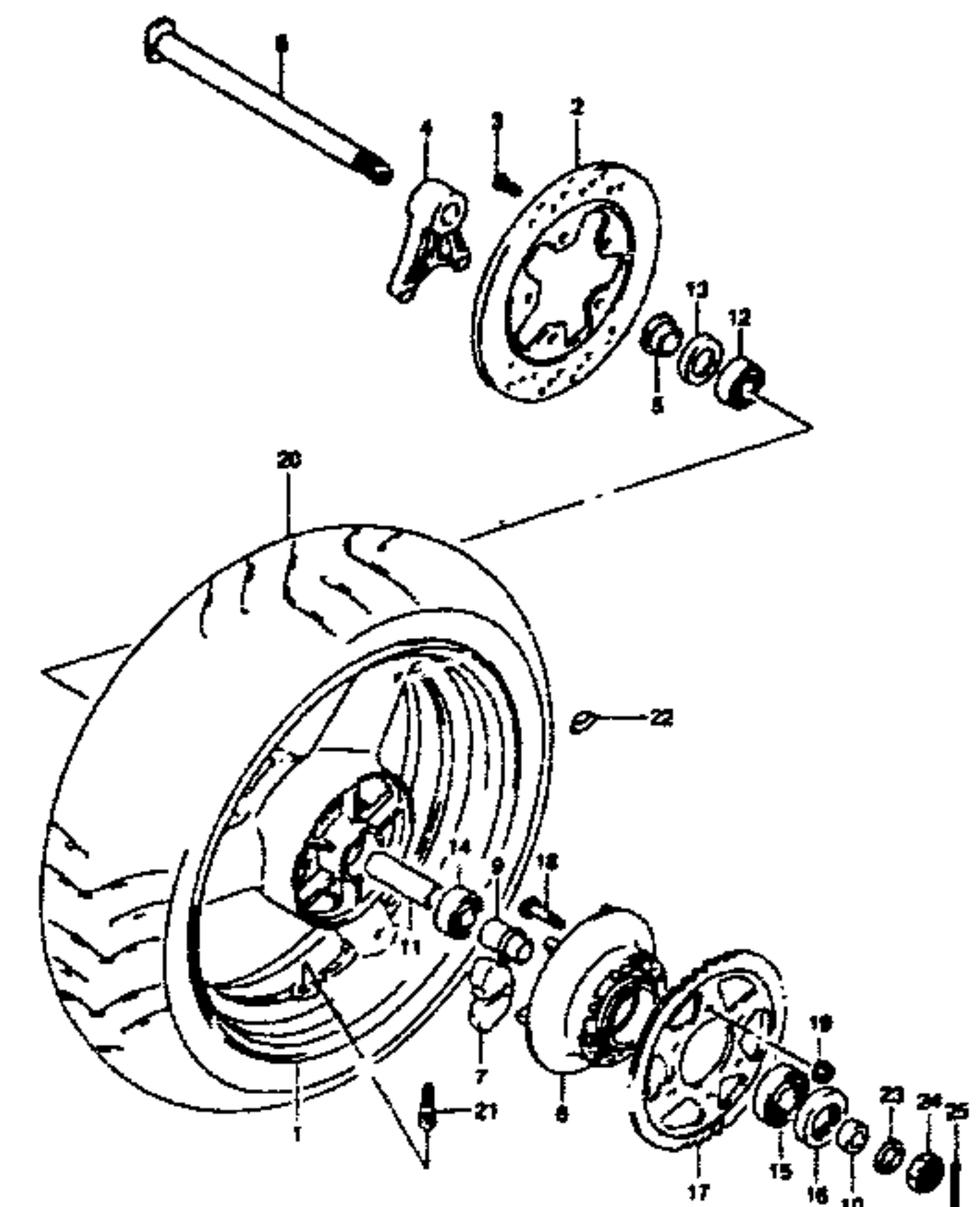
FIG.57



GSF1200SK1 E03 E28\_057  
REAR CUSHION LEVER

L3

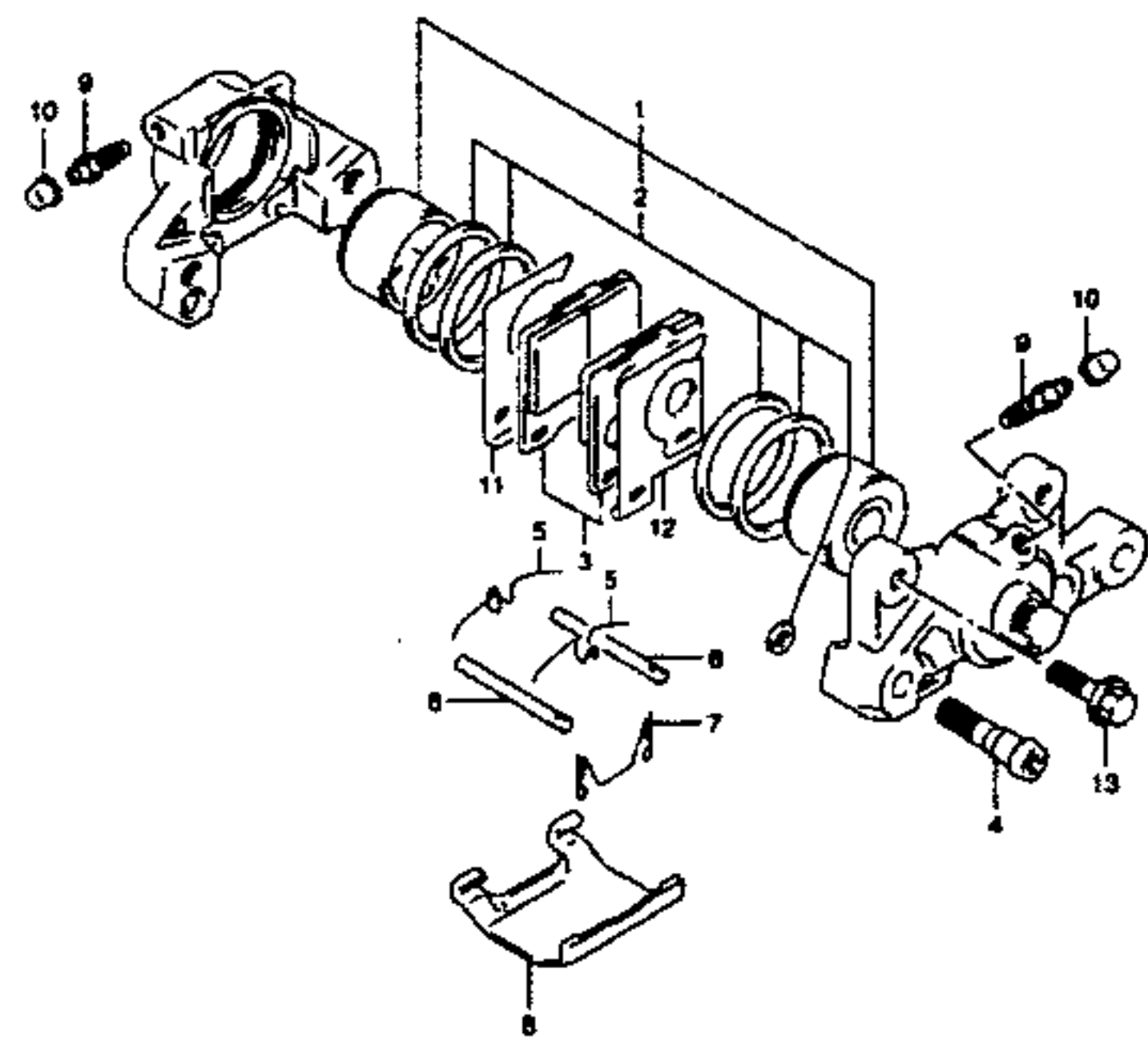
FIG.58



GSF1200SK1 E03 E28\_058  
REAR WHEEL

L4

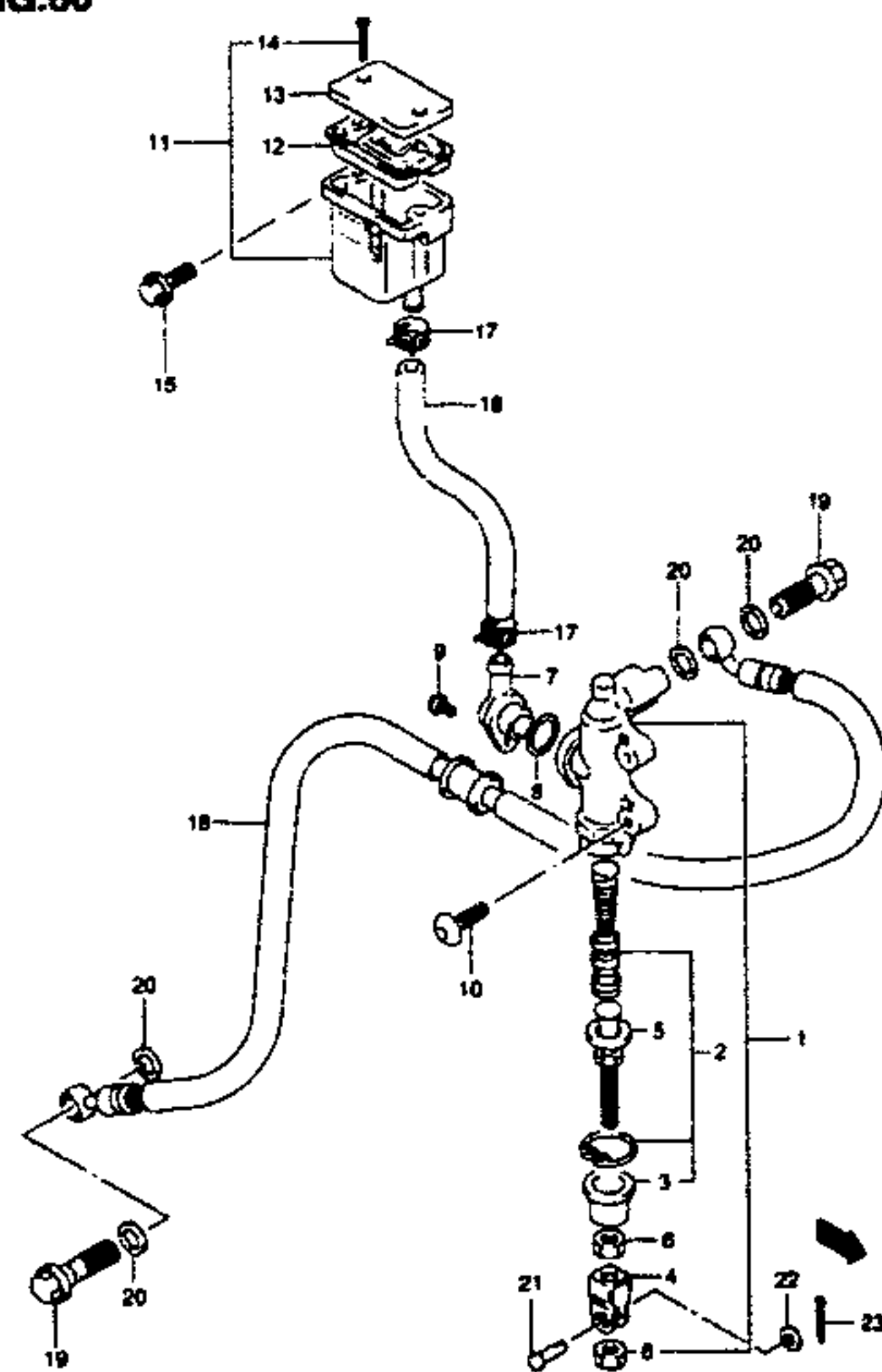
FIG.59



GSF1200SK1 E03 E28\_059  
REAR CALIPER

L5

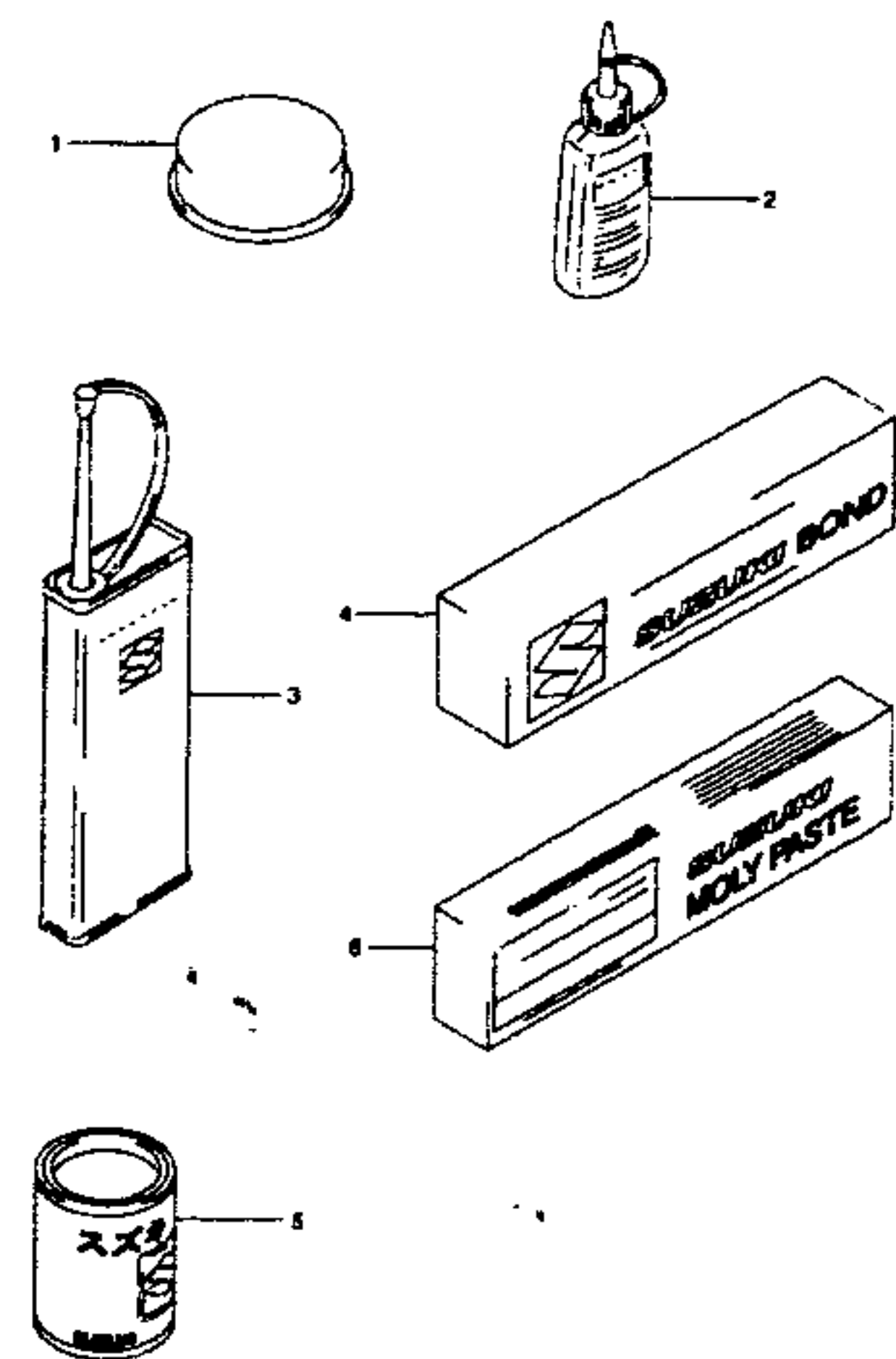
FIG.60



GSF1200SK1 E03 E28\_060  
REAR MASTER CYLINDER

L6

FIG.61



GSF1200SK1 E03 E28\_061  
OPTIONAL

L7

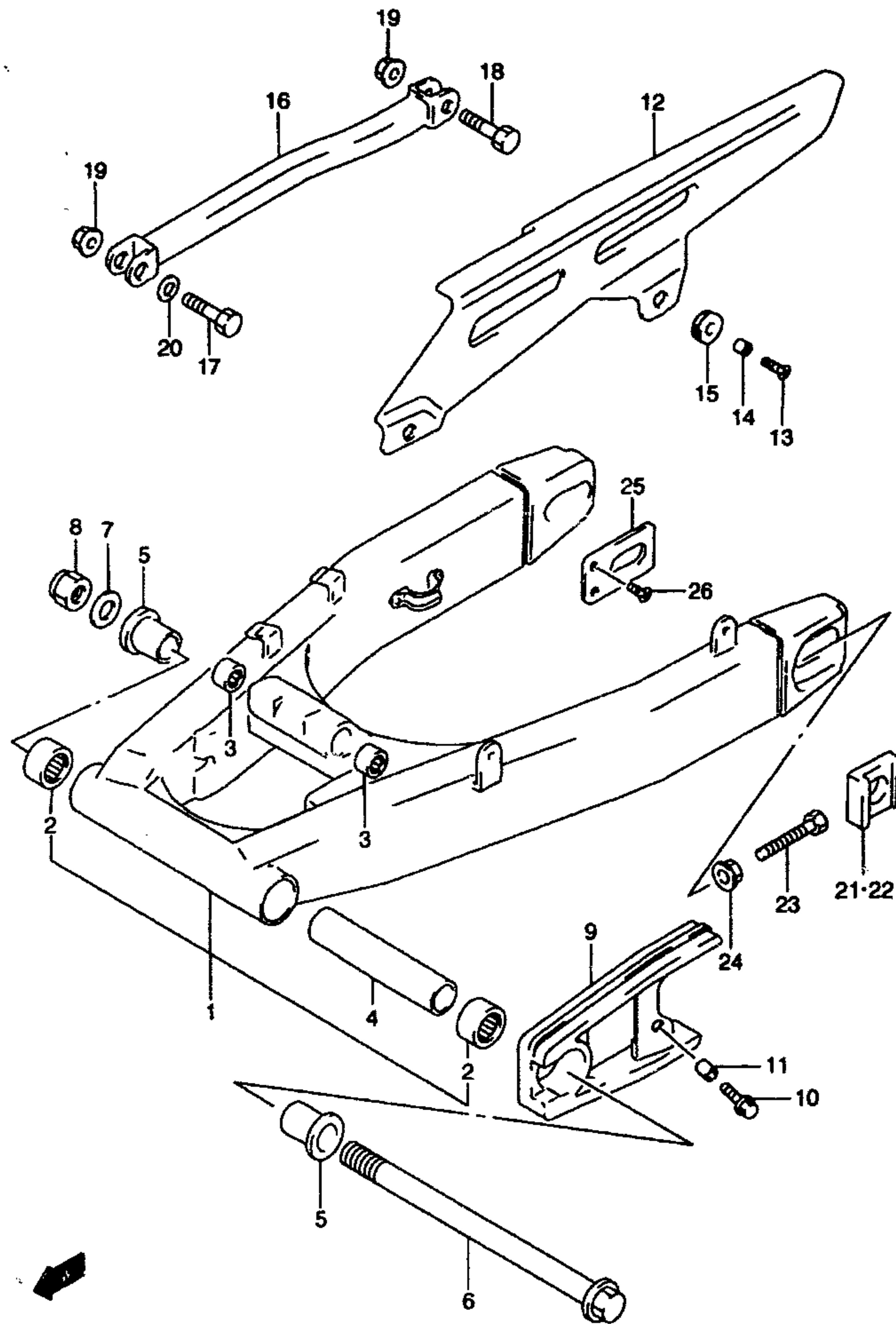
AIR CLEANER.....	C-07	COWLING BODY.....	I-02	FRAME COVER.....	H-03	GASKET SET.....	B-02	OIL COOLER.....	C-09	SEAT TAIL COVER.....	J-03	TRANSMISSION.....	D-04
ALTERNATOR.....	E-03	COWLING INSTALLATIO	I-04	FRAME.....	G-02	GEAR SHIFTING.....	D-08	OIL PAN.....	B-09	SEAT.....	J-02	TURN SIGNAL LAMP.....	F-04
BATTERY.....	E-08	CRANKCASE COVER....	B-08	FRONT BRAKE HOSE...	K-04	HANDLE LEVER.....	H-10	OIL PUMP.....	B-10	SECOND AIR.....	C-10	WIRING HARNESS.....	F-07
CAM CHAIN.....	C-03	CRANKCASE.....	B-08	FRONT CALIPERS.....	K-03	HANDLE SWITCH.....	F-09	OPTIONAL.....	L-07	SIGNAL GENERATOR...	E-04		
CAM SHAFT / VALVE..	C-02	CRANKSHAFT.....	B-11	FRONT DAMPER.....	J-07	HANDLEBAR.....	H-09	REAR CALIPER.....	L-05	SPEEDOMETER.....	E-07		
CANISTER.....	H-02	CYLINDER HEAD COVER	B-03	FRONT FENDER.....	H-07	HEADLAMP HOUSING...	H-08	REAR CUSHION LEVER..	L-03	STAND.....	G-04		
CARBURETOR FITTING.	C-08	CYLINDER HEAD.....	B-04	FRONT MASTER CYLIND	K-05	HEADLAMP.....	F-02	REAR FENDER.....	H-11	STARTER CLUTCH.....	B-12		
CARBURETOR.....	C-04	CYLINDER.....	B-05	FRONT WHEEL.....	K-02	LABEL.....	L-05	REAR MASTER CYLINDE	L-06	STARTING MOTOR.....	E-02		
CLUTCH MASTER CYLIN	K-07	ELECTRICAL.....	E-05	FUEL COCK.....	G-09	MANUAL BOX.....	H-05	REAR SWINGING ARM..	L-02	STEERING STEM.....	J-08		
CLUTCH.....	D-02	FOOTREST.....	G-06	FUEL TANK.....	G-07	MUFFLER.....	C-08	REAR WHEEL.....	L-04	TAIL LAMP.....	F-06		

L1



**FIG.56**

Fig.56 ( L-2 ) REAR SWINGING ARM



Ref #	Part Number	Description	Qty	Remarks
1	61000-27E20	SWINGING ARM ASSY, REAR	1	
2	09263-25059	.BEARING, PIVOT (25X33X35)	2	
3	09263-17037	.BEARING (17X24X25)	2	
4	61282-31E00	.SPACER, PIVOT CENTER	1	
5	61251-31E00	SPACER, PIVOT BEARING	2	
6	61211-31E00	SHAFT, PIVOT	1	
7	09160-18030	WASHER (18.5X28X2.6)	1	
8	09159-18007	NUT	1	
9	61273-32F00	BUFFER, CHAIN TUCH DIFENSE	1	
10	09116-06152	BOLT (6X20)	1	
11	09180-06283	SPACER (6.5X10X7)	1	
12	61311-27E10	CASE, CHAIN	1	
13	09136-06011	SCREW (6X16)	2	
14	09180-06092	SPACER (6.2X8.3X6.10)	2	
15	09320-08013	CUSHION	2	
16	64310-27E00-019	TORQUE LINK, REAR (BLACK)	1	
17	09111-10051	BOLT, FRONT (10X39)	1	
18	09103-10019	BOLT, REAR (10X37)	1	
19	08319-31107	NUT	2	
20	09160-12011	WASHER	1	
21	61446-27C20	WASHER, CHAIN ADJUSTER RH	1	RH
22	61446-17E10	WASHER, CHAIN ADJUSTER LH	1	LH
23	09100-08287	BOLT (8X50)	2	
24	08316-10083	NUT	2	
25	61124-17E10	PLATE, SWINGING ARM	2	
26	02142-06163	SCREW	4	

GSF1200SK1 E03 E28\_056  
REAR SWINGING ARM

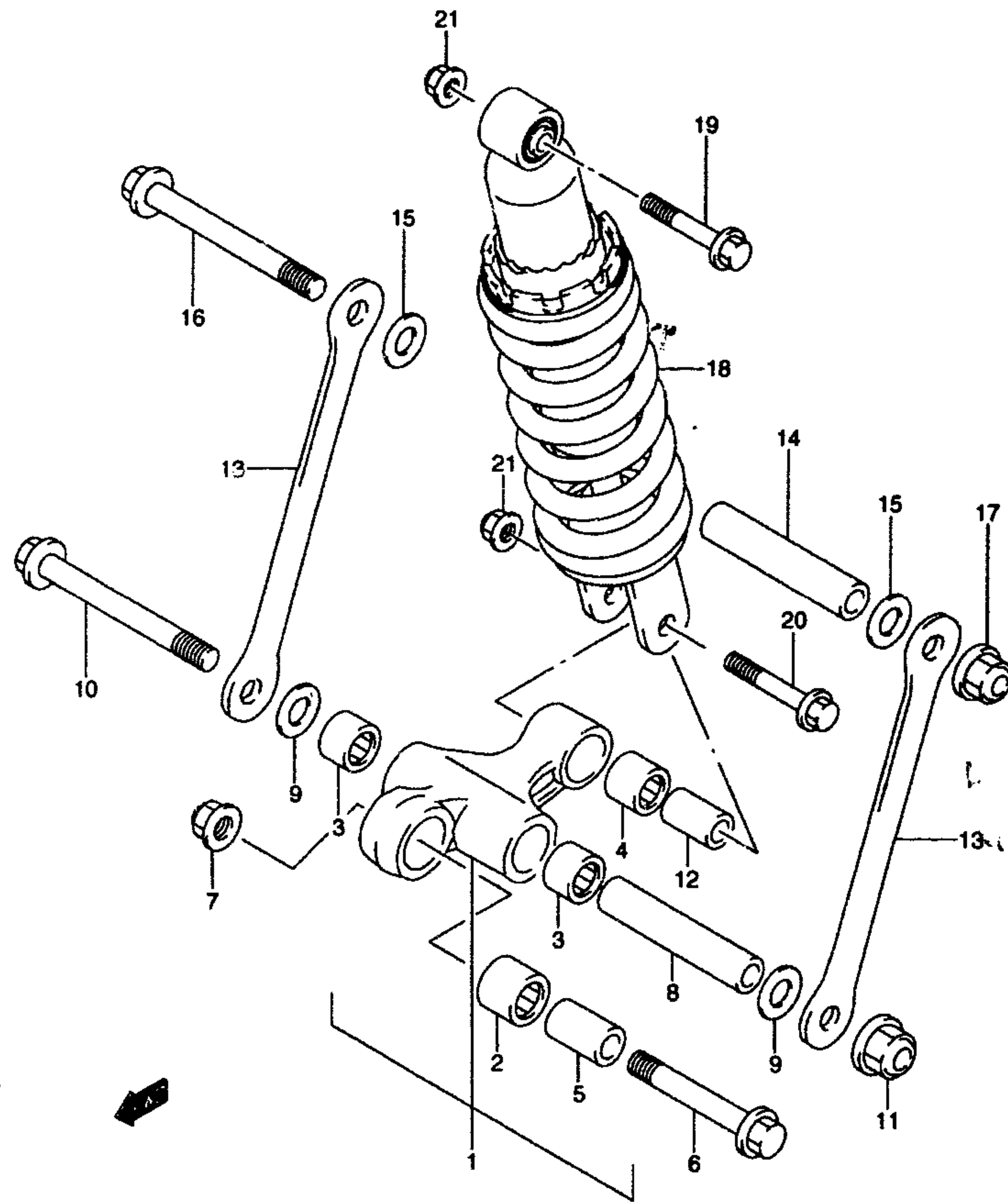
82 GSF1200, S K2 E3, E33

L2

AIR CLEANER.....	C-07	COWLING BODY.....	I-02	FRAME COVER.....	H-03	GASKET SET.....	B-02	OIL COOLER.....	C-09	SEAT TAIL COVER.....	J-03	TRANSMISSION.....	D-04
ALTERNATOR.....	E-03	COWLING INSTALLATIO	I-04	FRAME.....	G-02	GEAR SHIFTING.....	D-06	OIL PAN.....	B-09	SEAT.....	J-02	TURN SIGNAL LAMP.....	F-04
BATTERY.....	E-06	CRANKCASE COVER.....	B-08	FRONT BRAKE HOSE...	K-04	HANDLE LEVER.....	H-10	OIL PUMP.....	B-10	SECOND AIR.....	C-10	WIRING HARNESS.....	F-07
CAM CHAIN.....	C-03	CRANKCASE.....	B-08	FRONT CALIPERS.....	K-03	HANDLE SWITCH.....	F-09	OPTIONAL.....	L-07	SIGNAL GENERATOR...	E-04		
CAM SHAFT / VALVE..	C-02	CRANKSHAFT.....	B-11	FRONT DAMPER.....	J-07	HANDLEBAR.....	H-09	REAR CALIPER.....	L-06	SPEEDOMETER.....	E-07		
CANISTER.....	H-02	CYLINDER HEAD COVER	B-03	FRONT FENDER.....	H-07	HEADLAMP HOUSING...	H-08	REAR CUSHION LEVER..	L-03	STAND.....	G-04		
CARBURETOR FITTING..	C-06	CYLINDER HEAD.....	B-04	FRONT MASTER CYLIND	K-05	HEADLAMP.....	F-02	REAR FENDER.....	H-11	STARTER CLUTCH.....	B-12		
CARBURETOR.....	C-04	CYLINDER.....	B-05	FRONT WHEEL.....	K-02	LABEL.....	I-05	REAR MASTER CYLIND	L-08	STARTING MOTOR.....	E-02		
CLUTCH MASTER CYLIN	K-07	ELECTRICAL.....	E-05	FUEL COCK.....	G-09	MANUAL BOX.....	H-05	REAR SWINGING ARM..	L-02	STEERING STEM.....	J-08		
CLUTCH.....	D-02	FOOTREST.....	G-05	FUEL TANK.....	G-07	MUFFLER.....	C-08	REAR WHEEL.....	L-04	TAIL LAMP.....	F-06		

FIG.57

Fig.57 ( L-3 ) REAR CUSHION LEVER



Ref #	Part Number	Description	Qty	Remarks
1	62600-32850	LEVER SET, REAR CUSHION	1	
2	09263-20064	.BEARING, FRONT (20X27X26)	1	
3	09263-17037	.BEARING, CENTER (17X24X25)	2	
4	09263-17034	.BEARING, REAR (17X24X26)	1	
5	62684-01D00	SPACER, FRONT (12X20X30)	1	
6	62668-42A02	BOLT, FRONT (12X62)	1	
7	08319-31128	NUT	1	
8	09180-12125	SPACER, CENTER (12X17X89)	1	
9	09160-12037	WASHER	2	
10	62621-42E00	BOLT, CENTER (12X119)	1	
11	08319-31128	NUT	1	
12	62684-40A10	SPACER, REAR (10X17X30)	1	
13	62641-32F00	ROD, REAR CUSHION	2	
14	09180-12125	SPACER, ROD (12X17X89)	1	
15	09160-12037	WASHER	2	
16	62621-42E00	BOLT, ROD (12X119)	1	
17	08319-31128	NUT	1	
18-1	62100-32F20	ABSORBER ASSY, REAR SHOCK	1	GSF1200SK1/SK2 E3/E33
18-2	62100-32F30	ABSORBER ASSY, REAR SHOCK	1	GSF1200SK1/SK2 E28
18-3	62100-32F50	ABSORBER ASSY, REAR SHOCK	1	GSF1200K1/K2
19	62648-14500	BOLT, UPPER (10X48)	1	
20	62311-28E00	BOLT, LOWER (10X54)	1	
21	08319-31107	NUT	2	

GSF1200SK1 E03 E28\_057  
REAR CUSHION LEVER

83 GSF1200, S K2 E3, E33

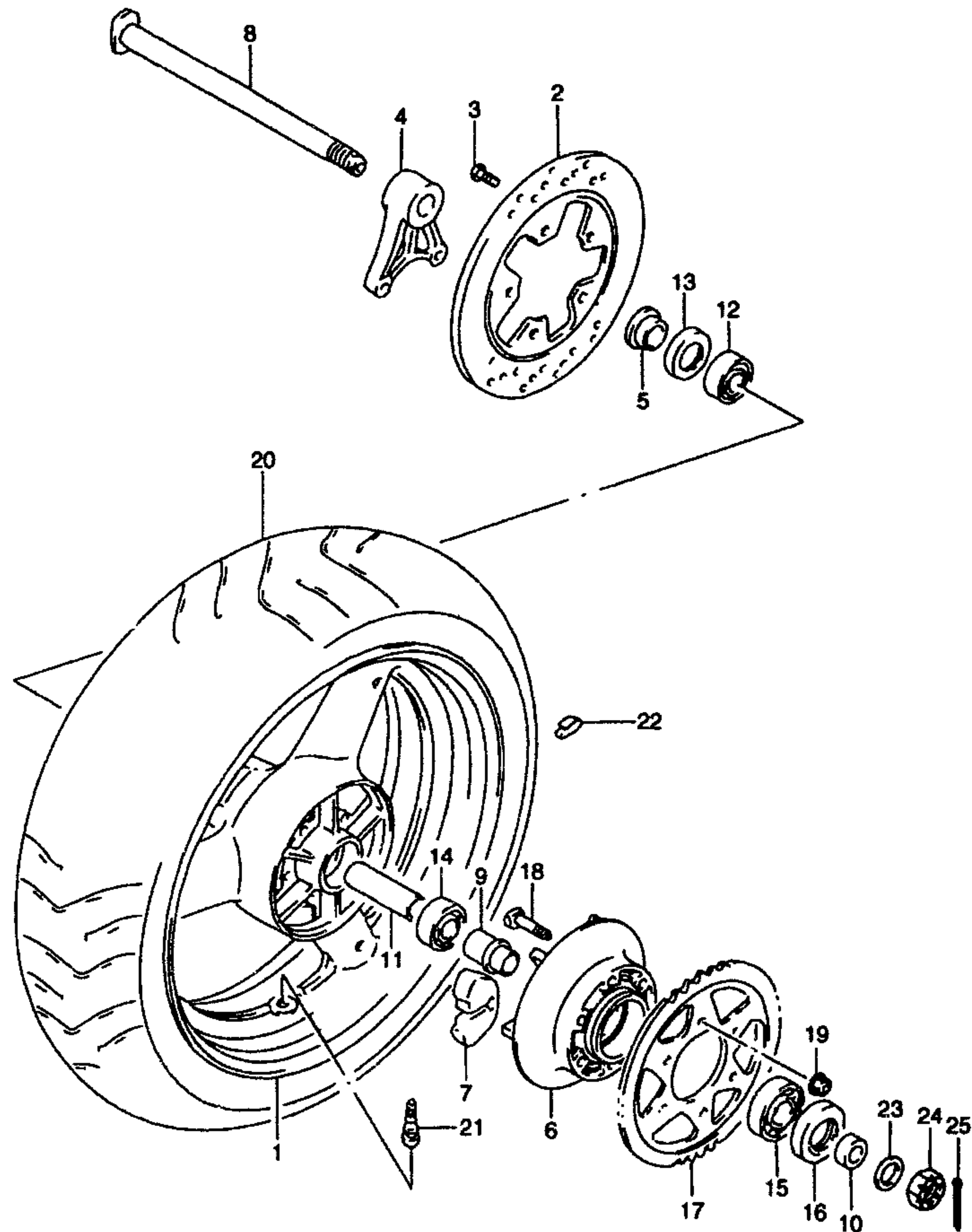
L3

AIR CLEANER.....	C-07	COWLING BODY.....	I-02	FRAME COVER.....	H-03	GASKET SET.....	B-02	OIL COOLER.....	C-09	SEAT TAIL COVER...	J-03	TRANSMISSION.....	D-04
ALTERNATOR.....	E-03	COWLING INSTALLATIO	I-04	FRAME.....	G-02	GEAR SHIFTING.....	D-08	OIL PAN.....	B-09	SEAT.....	J-02	TURN SIGNAL LAMP...	F-04
BATTERY.....	E-06	CRANKCASE COVER...	B-08	FRONT BRAKE HOSE...	K-04	HANDLE LEVER.....	H-10	OIL PUMP.....	B-10	SECOND AIR.....	C-10	WIRING HARNESS....	F-07
CAM CHAIN.....	C-03	CRANKCASE.....	B-06	FRONT CALIPERS.....	K-03	HANDLE SWITCH.....	F-09	OPTIONAL.....	L-07	SIGNAL GENERATOR...	E-04		
CAM SHAFT / VALVE..	C-02	CRANKSHAFT.....	B-11	FRONT DAMPER.....	J-07	HANDLEBAR.....	H-09	REAR CALIPER.....	L-05	SPEEDOMETER.....	E-07		
CANISTER.....	H-02	CYLINDER HEAD COVER	B-03	FRONT FENDER.....	H-07	HEADLAMP HOUSING..	H-08	REAR CUSHION LEVER	L-03	STAND.....	G-04		
CARBURETOR FITTING	C-06	CYLINDER HEAD.....	B-04	FRONT MASTER CYLIND	K-05	HEADLAMP.....	F-02	REAR FENDER.....	H-11	STARTER CLUTCH.....	B-12		
CARBURETOR.....	C-04	CYLINDER.....	B-05	FRONT WHEEL.....	K-02	LABEL.....	I-05	REAR MASTER CYLINDE	L-06	STARTING MOTOR.....	E-02		
CLUTCH MASTER CYLIN	K-07	ELECTRICAL.....	E-06	FUEL COCK.....	G-09	MANUAL BOX.....	H-05	REAR SWINGING ARM..	L-02	STEERING STEM.....	J-08		
CLUTCH.....	D-02	FOOTREST.....	G-06	FUEL TANK.....	G-07	MUFFLER.....	C-08	REAR WHEEL.....	L-04	TAIL LAMP.....	F-06		



FIG.58

Fig.58 ( L-4 ) REAR WHEEL



Ref #	Part Number	Description	Qty	Remarks
1	64111-17E11-35W	WHEEL, REAR (MT5.50X17) (GRAY)	1	
2	69211-21E00	DISC, REAR BRAKE	1	
3	09106-08125	BOLT (8X33)	5	
4	69721-46E00	BRACKET, REAR CALIPER	1	
5	64741-17E00	SPACER, REAR AXLE RH	1	
6	64611-32F00	DRUM, REAR SPROCKET	1	
7	64651-17E00	ABSORBER, REAR HUB SHOCK	6	
8	64711-32F10	AXLE, REAR	1	
9	64733-32F00	RETAINER, REAR HUB BEARING	1	
10	64751-46E00	SPACER, REAR AXLE LH	1	
11	64731-40C00	SPACER, REAR WHEEL HUB BEARIN	1	
12	09262-20114	BEARING, RH (20X47X14)	1	
13	09285-28001	OIL SEAL, RH (28X47X7)	1	
14	09262-20042	BEARING, LH (20X47X14)	1	
15	09262-25114	BEARING (25X62X17)	1	
16	09285-35001	OIL SEAL (35X62X8)	1	
17	64511-27E00	SPROCKET, REAR (NT:45)	1	
18	09119-10037	BOLT	6	
19	08319-31107	NUT	6	
20	65110-32F00	TIRE, REAR 180/55 2R17 (73W)	1	PURCHASE LOCALLY
20	65110-32F00	(MICHELIN)		
21	43130-24A00	VALVE ASSY, WHEEL RIM (TR412)	1	
22-1	55411-00A00	BALANCER, WHEEL (10G)	0½3	
22-2	55412-00A01	BALANCER, WHEEL (20G)	0½3	
23	09160-18030	WASHER (18.5X28X2.60)	1	
24	08314-40183	NUT	1	
25	04111-40408	PIN, COTTER	1	

GSF1200SK1 E03 E28\_058  
REAR WHEEL

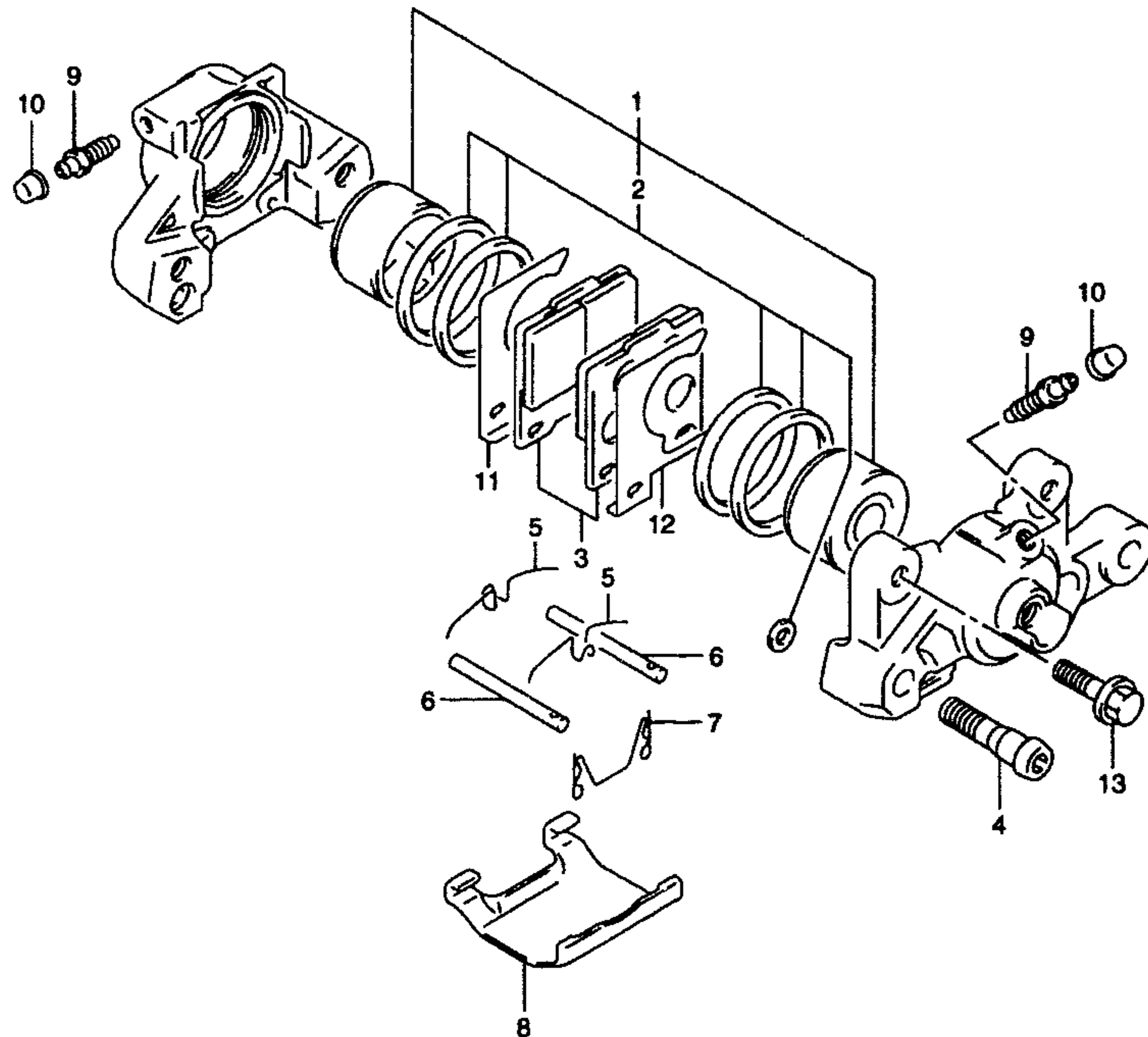
84 GSF1200, S K2 E3, E33

L4

AIR CLEANER.....	C-07	COWLING BODY.....	H-02	FRAME COVER.....	H-03	GASKET SET.....	B-02	OIL COOLER.....	C-08	SEAT TAIL COVER.....	J-03	TRANSMISSION.....	D-04
ALTERNATOR.....	E-03	COWLING INSTALLATIO	H-04	FRAME.....	G-02	GEAR SHIFTING.....	C-08	OIL PAN.....	B-09	SEAT.....	J-02	TURN SIGNAL LAMP.....	F-04
BATTERY.....	E-08	CRANKCASE COVER.....	B-08	FRONT BRAKE HOSE.....	K-04	HANDLE LEVER.....	H-10	OIL PUMP.....	B-10	SECOND AIR.....	C-10	WIRING HARNESS.....	F-07
CAM CHAIN.....	C-03	CRANKCASE.....	B-06	FRONT CALIPERS.....	K-03	HANDLE SWITCH.....	F-09	OPTIONAL.....	L-07	SIGNAL GENERATOR...	E-04		
CAM SHAFT / VALVE.....	C-02	CRANKSHAFT.....	B-11	FRONT DAMPER.....	J-07	HANDLEBAR.....	H-09	REAR CALIPER.....	L-05	SPEEDOMETER.....	E-07		
CANISTER.....	H-02	CYLINDER HEAD COVER	B-03	FRONT FENDER.....	H-07	HEADLAMP HOUSING...	H-08	REAR CUSHION LEVER..	L-03	STAND.....	G-04		
CARBURETOR FITTING..	C-06	CYLINDER HEAD.....	B-04	FRONT MASTER CYLIND	K-05	HEADLAMP.....	F-02	REAR FENDER.....	H-11	STARTER CLUTCH.....	B-12		
CARBURETOR.....	C-04	CYLINDER.....	B-05	FRONT WHEEL.....	K-02	LABEL.....	I-05	REAR MASTER CYLINDE	L-08	STARTING MOTOR.....	E-02		
CLUTCH MASTER CYLIN	K-07	ELECTRICAL.....	E-06	FUEL COCK.....	G-09	MANUAL BOX.....	H-05	REAR SWINGING ARM..	L-02	STEERING STEM.....	J-08		
CLUTCH.....	D-02	FOOTREST.....	G-06	FUEL TANK.....	G-07	MUFFLER.....	C-08	REAR WHEEL.....	L-04	TAIL LAMP.....	F-06		

FIG.59

Fig.59 ( L-5 ) REAR CALIPER



Ref #	Part Number	Description	Qty	Remarks
	69100-05CG0	CALIPER ASSY, REAR	1	
1	69100-05850	.PISTON SET	1	
2	69100-32820	..SEAL SET, PISTON	1	
3	69101-05850	.PAD SET	1	
4	59145-05C50	.BOLT	2	
5	59143-16700	.SPRING	2	
6	69141-46E01	.PIN	2	
7	69142-46E01	.CLIP	1	
8	59151-16701	.COVER	1	
9	59121-18410	.BLEEDER	2	
10	55156-66310	.CAP	2	
11	59371-20C00	.SHIM, INNER	1	
12	59381-20C00	.SHIM, OUTER	1	
13	01550-08303	BOLT	2	

GSF1200SK1 E03 E28\_059  
REAR CALIPER

85 GSF1200, S K2 E3, E33

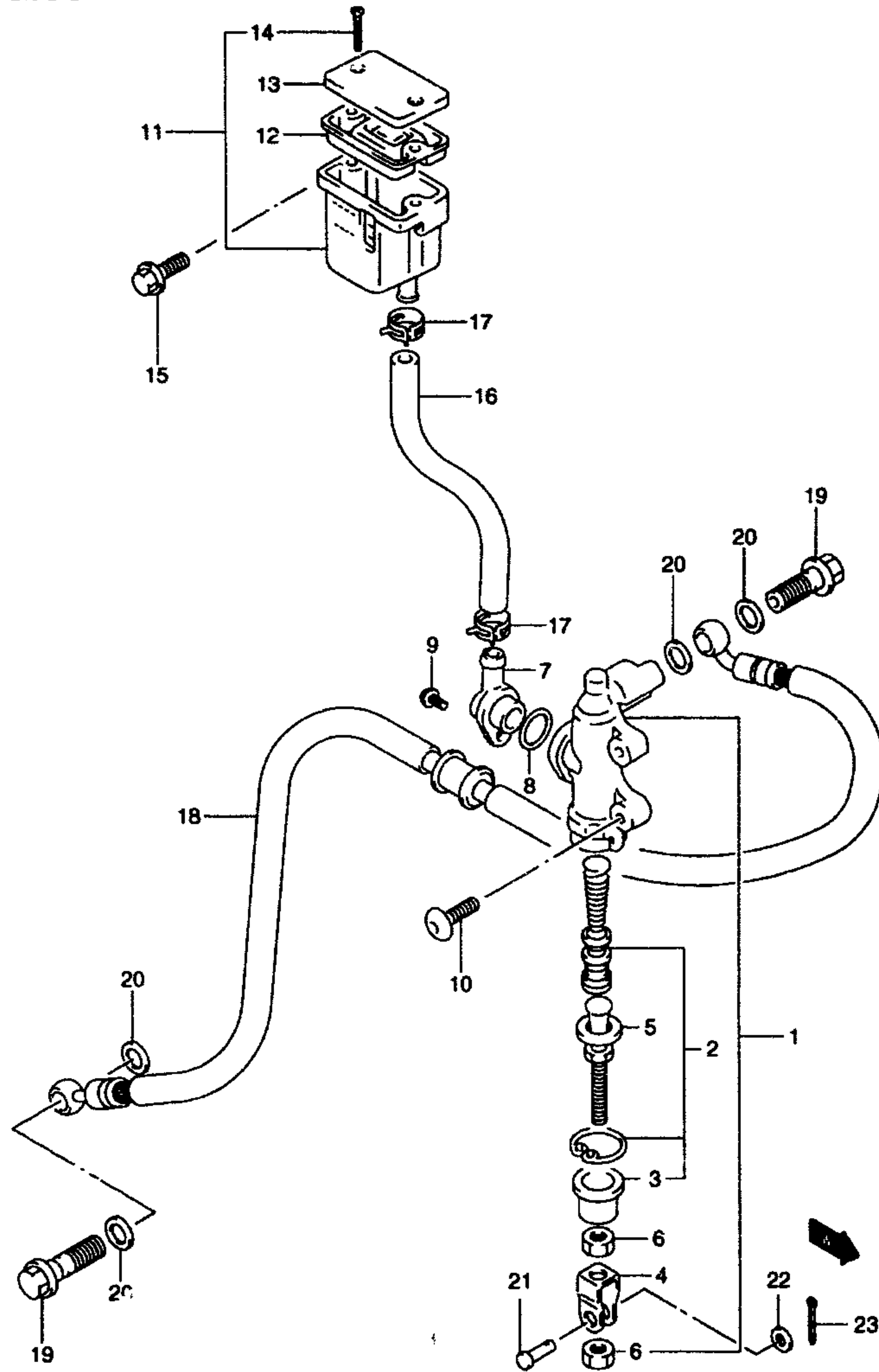
L5

AIR CLEANER.....	C-07	COWLING BODY.....	H-02	FRAME COVER.....	H-03	GASKET SET.....	B-02	OIL COOLER.....	C-09	SEAT TAIL COVER....	J-03	TRANSMISSION.....	D-04
ALTERNATOR.....	E-03	COWLING INSTALLATIO	H-04	FRAME.....	G-02	GEAR SHIFTING.....	D-08	OIL PAN.....	B-09	SEAT.....	J-02	TURN SIGNAL LAMP...	F-04
BATTERY.....	E-06	CRANKCASE COVER...	B-08	FRONT BRAKE HOSE...	K-04	HANDLE LEVER.....	H-10	OIL PUMP.....	B-10	SECOND AIR.....	C-10	WIRING HARNESS....	F-07
CAM CHAIN.....	C-03	CRANKCASE.....	3-06	FRONT CALIPERS.....	K-03	HANDLE SWITCH.....	F-08	OPTIONAL.....	L-07	SIGNAL GENERATOR...	E-04		
CAM SHAFT / VALVE..	C-02	CRANKSHAFT.....	B-11	FRONT DAMPER.....	J-07	HANDLEBAR.....	H-09	REAR CALIPER.....	L-05	SPEEDOMETER.....	E-07		
CANISTER.....	H-02	CYLINDER HEAD COVER	B-03	FRONT FENDER.....	H-07	HEADLAMP HOUSING..	H-08	REAR CUSHION LEVER.	L-03	STAND.....	G-04		
CARBURETOR FITTING.	C-06	CYLINDER HEAD.....	B-04	FRONT MASTER CYLIND	K-05	HEADLAMP.....	F-02	REAR FENDER.....	H-11	STARTER CLUTCH....	B-12		
CARBURETOR.....	C-04	CYLINDER.....	B-05	FRONT WHEEL.....	K '2	LABEL.....	H-05	REAR MASTER CYLINDE	L-08	STARTING MOTOR....	E-02		
CLUTCH MASTER CYLIN	K-07	ELECTRICAL.....	E-05	FUEL COCK.....	G-08	MANUAL BOX.....	H-05	REAR SWINGING ARM..	L-02	STEERING STEM....	J-08		
CLUTCH.....	D-04	FOOTREST.....	G-05	FUEL TANK.....	G-07	MUFFLER.....	C-08	REAR WHEEL.....	L-04	TAIL LAMP.....	F-08		



FIG.60

Fig.60 ( L-6 ) REAR MASTER CYLINDER



Ref #	Part Number	Description	Qty	Remarks
1	69600-17C01	CYLINDER ASSY, REAR MASTER	1	
2	69600-04820	.PISTON / CAP SET	1	
3	69691-00A00	.BOOT	1	
4	69692-27A30	.YOKE	1	
5	69670-48B00	.ROD, PUSH	1	
6	69693-05A00	.NUT	2	
7	69672-05A00	.CONNECTOR	1	
8	69686-34200	.O RING	1	
9	02112-74123	.SCREW	1	
10	09106-08118	BOLT (8X20)	2	
11	69740-38B21	TANK ASSY, REAR RESERVOIR	1	
12	59667-04700	.DIAPHRAGM	1	
13	59669-05D00	.CAP	1	
14	69689-04A00	.SCREW	2	
15	01550-06123	BOLT	1	
16	69731-31F00	HOSE, RESERVOIR TANK	1	
17	09401-13417	CLAMP	2	
18	69480-31F00	HOSE, REAR BRAKE	1	
19	09360-10041	BOLT (10X1.00X22)	2	
20	09161-10009	WASHER (10X15X1.5)	4	
21	09200-06037	PIN	1	
22	08322-01063	WASHER	1	
23	04111-20158	PIN, COTTER	1	

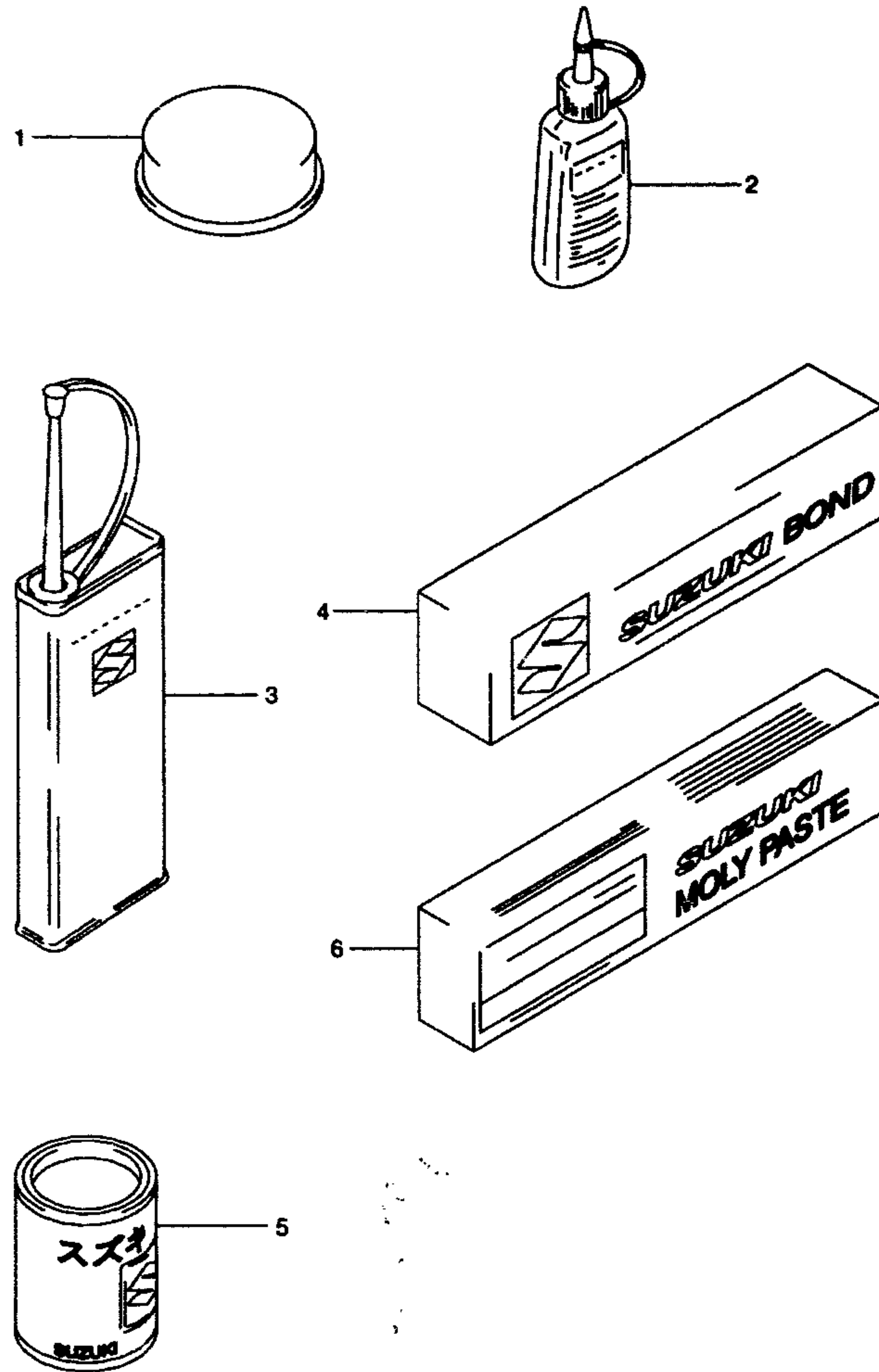
GSF1200SK1 E03 E28\_060  
REAR MASTER CYLINDER

86 GSF1200, S K2 E3, E33

L6

AIR CLEANER.....	C-07	COWLING BODY.....	I-02	FRAME COVER.....	H-03	GASKET SET.....	B-02	OIL COOLER.....	C-09	SEAT TAIL COVER....	J-03	TRANSMISSION.....	D-04
ALTERNATOR.....	E-03	COWLING INSTALLATIO	I-04	FRAME.....	G-02	GEAR SHIFTING.....	D-06	OIL PAN.....	B-09	SEAT.....	J-02	TURN SIGNAL LAMP...	F-04
BATTERY.....	E-06	CRANKCASE COVER...	B-08	FRONT BRAKE HOSE...	K-04	HANDLE LEVER.....	H-10	OIL PUMP.....	B-10	SECOND AIR.....	C-10	WIRING HARNESS....	F-07
CAM CHAIN.....	C-03	CRANKCASE.....	B-06	FRONT CALIPERS.....	K-03	HANDLE SWITCH.....	F-09	OPTIONAL.....	L-07	SIGNAL GENERATOR..	E-04		
CAM SHAFT / VALVE..	C-02	CRANKSHAFT.....	B-11	FRONT DAMPER.....	J-07	HANDLEBAR.....	H-09	REAR CALIPER.....	L-05	SPEEDOMETER.....	E-07		
CANISTER.....	H-02	CYLINDER HEAD COVER	B-03	FRONT FENDER.....	H-07	HEADLAMP HOUSING..	H-06	REAR CUSHION LEVER	L-03	STAND.....	G-04		
CARBURETOR FITTING	C-08	CYLINDER HEAD.....	B-04	FRONT MASTER CYLIND	K-05	HEADLAMP.....	F-02	REAR FENDER.....	H-11	STARTER CLUTCH.....	B-12		
CARBURETOR.....	C-04	CYLINDER.....	B-06	FRONT WHEEL.....	K-02	LABEL.....	I-05	REAR MASTER CYLINDE	L-06	STARTING MOTOR.....	E-02		
CLUTCH MASTER CYLIN	K-07	ELECTRICAL.....	E-05	FUEL COCK.....	G-09	MANUAL BOX.....	H-05	REAR SWINGING ARM..	L-02	STEERING STEM.....	J-08		
CLUTCH.....	D-02	FOOTREST.....	G-05	FUEL TANK.....	G-07	MUFFLER.....	C-06	REAR WHEEL.....	L-04	TAIL LAMP.....	F-06		

FIG.61



Ref #	Part Number	Description	Qty	Remarks
1	99000-25110	SUZUKI PBC GREASE	1	20G
2-1	99104-32020	THREAD LOCK SUPER (1361A)	1	50G
2-2	99104-32030	THREAD LOCK SUPER (1363A)	1	50G
2-3	99000-32050	THREAD LOCK SUPER (1342)	1	50G
2-4	99000-32100	THREAD LOCK SUPER (1305)	1	50G
2-5	99000-32130	THREAD LOCK SUPER (1360)	1	50G
3	99000-32040	THREAD LOCK CEMENT	1	200G
4-1	99000-31140	SUZUKI BOND (1207B) BLACK	1	100G
4-2	99000-31110	SUZUKI BOND (1215)	1	100G
5	99000-25030	SUZUKI SUPER GREASE	1	150G
6	99000-25140	SUZUKI MOLY PASTE	1	50G

GSF1200SK1 E03 E28\_061  
OPTIONAL

87 GSF1200, S K2 E3, E33

L7

AIR CLEANER.....	C-07	COWLING BODY.....	I-02	FRAME COVER.....	H-03	GASKET SET.....	B-02	OIL COOLER.....	C-09	SEAT TAIL COVER...	J-03	TRANSMISSION.....	D-04
ALTERNATOR.....	E-03	COWLING INSTALLATIO	I-04	FRAME.....	G-02	GEAR SHIFTING.....	D-06	OIL PAN.....	B-09	SEAT.....	J-02	TURN SIGNAL LAMP...	F-04
BATTERY.....	E-06	CRANKCASE COVER.....	B-08	FRONT BRAKE HOSE...	K-04	HANDLE LEVER.....	H-10	OIL PUMP.....	B-10	SECOND AIR.....	C-10	WIRING HARNESS....	F-07
CAM CHAIN.....	C-03	CRANKCASE.....	B-06	FRONT CALIPERS.....	K-03	HANDLE SWITCH.....	F-09	OPTIONAL.....	L-07	SIGNAL GENERATOR...	E-04		
CAM SHAFT / VALVE..	C-02	CRANKSHAFT.....	B-11	FRONT DAMPER.....	J-07	HANDLEBAR.....	H-09	REAR CALIPER.....	L-05	SPEEDOMETER.....	E-07		
CANISTER.....	H-02	CYLINDER HEAD COVER	B-03	FRONT FENDER.....	H-07	HEADLAMP HOUSING..	H-08	REAR CUSHION LEVER	L-03	STAND.....	G-04		
CARBURETOR FITTING.	C-06	CYLINDER HEAD.....	B-04	FRONT MASTER CYLIND	K-05	HEADLAMP.....	F-02	REAR FENDER.....	H-11	STARTER CLUTCH.....	B-12		
CARBURETOR.....	C-04	CYLINDER.....	B-05	FRONT WHEEL.....	K-02	LABEL.....	I-05	REAR MASTER CYLINDE	L-06	STARTING MOTOR.....	E-02		
CLUTCH MASTER CYLIN	K-07	ELECTRICAL.....	E-05	FUEL COCK.....	G-09	MANUAL BOX.....	H-05	REAR SWINGING ARM..	L-02	STEERING STEM.....	J-08		
CLUTCH.....	D-02	FOOTREST.....	G-05	FUEL TANK.....	G-07	MUFFLER.....	C-08	REAR WHEEL.....	L-04	TAIL LAMP.....	F-06		



# PART NUMBER INDEX

PART NUMBER	FIG. REF.		PART NUMBER	FIG. REF.	
	#	#		#	#
11100-27E60	2	1	12228-48B00-OC0	4	41
11116-06B70	2	2	12228-48B00-OCJ	8	7
11131-27A00	2	15	12228-48B00-OD0	4	41
11133-27A00	2	16	12228-48B00-OD0	8	7
11135-27A02	2	17	12228-48B00-OE0	4	40
11136-27A02	2	18	12228-48B00-OE0	4	41
11137-27A02	10	23	12228-48B00-OE0	8	6
11138-40C10	2	14	12228-48B00-OE0	8	7
11141-32F00	1	2	12228-48B00-OF0	4	41
11141-32F00	2	6	12228-48B00-OF0	8	7
11143-32F00	1	3	12228-48B00-OG0	4	41
11143-32F00	2	7	12228-48B00-OG0	8	7
11171-27E00	1A	1	12228-48B00-OH0	4	41
11173-06B02	1	4	12228-48B00-OH0	8	7
11173-06B02	1A	2	12229-06B00-OA0	8	8
11176-26D00	1A	12	12229-06B00-OB0	8	8
11177-17E00	1	5	12229-06B00-OC0	8	8
11177-17E00	1A	13	12229-06B00-OD0	8	8
11178-27A01	1	6	12229-06B10-OA0	8	9
11178-27A01	1A	3	12229-06B10-OB0	8	9
11179-27A02	1	7	12229-06B10-OC0	8	9
11179-27A02	1A	4	12229-06B10-OD0	8	9
11181-27E00	1A	8	12600-27830	9	3
11210-27E11-0F0	3	1	12611-06B00	9	1
11241-32F00	1	8	12711-26D00	10	1
11241-32F00	3	5	12721-26E20	10	4
11301-27830	4	1	12741-26D00	10	2
11328-48B04	3	9	12741-26D00	10	5
11340-26E20	5	1	12760-26D00	11	1
11351-26E20	5	15	12771-26D00	11	2
11360-27E10	5	21	12782-05A01	11	5
11381-26E21	5	11	12791-27A00	11	7
11400-32890	1	1	12810-26D00	11	3
11482-27A20	1	9	12814-34200	11	4
11482-27A20	5	3	12830-46E10	11	10
11483-48B20	1	10	12832-27A00	11	12
11483-48B20	5	16	12833-26D10	11	13
11483-27A20	1	11	12834-27A00	11	11
11489-27A20	6	2	12837-27A10	1	13
11491-27A30	1	12	12837-27A10	11	14
11491-27A30	5	12	12840-27A01	10	7
11511-26E00	6	1	12842-49201	10	8
11511-26E01	6	1	12843-27A00	10	9
11610-20C00	4	49	12861-27A00	10	10
11981-06B00	4	48	12911-06B02	10	14
11971-33210	5	2	12912-06B00	10	15
12000-27831	8	4	12920-06B00	10	16
12100-27E01-050	8	14	12931-27A01	10	17
12111-27E02-0F0	8	10	12932-27A00	10	21
12140-27E20	8	11	12933-81400	10	18
12151-05A00	8	12	12934-27A01	10	19
12160-40C03	8	1	12935-27A00	10	20
12164-46E01-OA0	8	3	13101-32F00	2	21
12164-46E01-OB0	8	3	13103-32F00	2	22
12164-46E01-OC0	8	3	13201-32F10	12	
12164-46E01-OD0	8	3	13201-32F20	12	
12228-48B00-OA0	4	41	13202-32F10	12	
12228-48B00-OA0	8	7	13202-32F20	12	
12228-48B00-OB0	4	41	13203-32F10	12	
12228-48B00-OB0	8	7	13203-32F20	12	

PART NUMBER	FIG. REF.		PART NUMBER	FIG. REF.	
	#	#		#	#
13204-32F10	12		13267-44B00	13	16
13204-32F20	12		13268-32F00	13	21
13246-43010	12	14	13268-48700	12	27
13247-02340	12	30	13268-96111	13	18
13247-33E00	12	31	13271-44B00	13	17
13250-04F00	12	17	13274-84000	12	37
13254-01010	12	20	13274-47090	12	34
13258-04F00	12	21	13279-19F10	12	28
13267-32F00	13	19	13281-05A00	12	43
13267-44B00	13	16	13291-29900	12	26
13268-32F00	13	21	13295-29900	12	25
13268-48700	12	27	13295-33010	12	39
13268-96111	13	18	13370-08F50	12	16
13271-44B00	13	17	13382-19E00	12	6
13274-84000	12	37	13383-32F10	12	9
13274-47090	12	34	13385-08F00	12	13
13279-19F10	12	28	13387-44030	12	8
13281-05A00	12	43	13394-17E60	12	7
13291-29900	12	26	13411-05300	12	32
13295-29900	12	25	13413-19E00	13	1
13295-33010	12	39	13417-26D00	12	33
13370-08F50	12	16	13418-33E00	12	3
13382-19E00	12	6	13418-44080	12	35
13383-32F10	12	9	13432-32F00	13	20
13385-08F00	12	13	13481-33E00	12	5
13387-44030	12	8	13501-08F00	12	11
13394-17E60	12	7	13502-08F00	12	1
13411-05300	12	32	13507-17C01	12	10
13413-19E00	13	1	13550-13D60	13	22
13417-26D00	12	33	13557-33E00	13	3
13418-33E00	12	3	13573-06C10	13	13
13418-44080	12	35	13573-33E00	12	2
13432-32F00	13	20	13602-04F00	13	2
13481-33E00	12	5	13602-05A10	12	19
13501-08F00	12	11	13605-20C00	13	23
13502-08F00	12	1	13612-33E00	13	4
13507-17C01	12	10	13673-44B00	13	12
13550-13D60	13	22	13682-31210	12	36
13557-33E00	13	3	13683-01D80	13	14
13573-06C10	13	13	13683-32F00	12	41
13573-33E00	12	2	13683-40C10	13	15
13602-04F00	13	2	13684-48B10	13	24
13602-05A10	12	19	13685-08F00	13	10
13605-20C00	13	23	13685-19E00	13	6
13612-33E00	13	4	13685-19E20	13	6
13673-44B00	13	12	13685-19E30	13	9
13682-31210	12	36	13685-32F00	13	11
13683-01D80	13	14	13685-34E00	13	7
13683-32F00	12	41	13685-48B00	12	42
13683-40C10	13	15	13685-48B00	13	26
13684-48B10	13	24	13700-32F00	14	1
13685-08F00	13	10			
13685-19E00	13	6			
13685-19E20	13	6			
13685-19E30	13	9			
13685-32F00	13	11			
13685-34E00	13	7			
13685-48B00	12	42			
13685-48B00	13	26			
13700-32F00	14	1			

PART NUMBER	FIG. REF.		PART NUMBER	FIG. REF.	
	#	#		#	#
13740-32F00	14	2	14181-18C00	1	14
13746-31F00	14	4	14181-18C00	15	2
13780-31F00	14	5	14181-31E00	15	15
13850-31F00	14	6	14310-32F10-H01	15	6
13870-21458	14	9	14771-27E00	15	4
13881-32F00	14	11	14832-19C00	7	8
13891-31E10	14	3	16400-06B30	7	2
14100-32F10	15	1	16440-17C01	6	18
14181-18C00	1	14	16460-32F00	16	6
14181-18C00	15	2	16460-47F00	16	6
14181-31E00	15	15	16470-32F00	16	7
14310-32F10-H01	15	6	16470-47F00	16	7
14771-27E00	15	4	16481-48B01	7	12
14832-19C00	7	8	16490-32F01	16	15
16400-06B30	7	2	16490-47F00	16	18
16440-17C01	6	18	16491-27A01	1	15
16460-32F00	16	6	16491-27A01	7	3
16460-47F00	16	6	16492-32F00	16	17
16470-32F00	16	7	16510-34E00	7	1
16470-47F00	16	7	16520-09301	6	11
16481-48B01	7	12	16525-06B00	6	13
16490-32F01	16	15	16528-27A20	1	16
16490-47F00	16	18	16528-27A20	6	14
16491-27A01	1	15	16529-27A01	1	17
16491-27A01	7	3	16529-27A01	6	15
16492-32F00	16	17	16530-27A02	7	14
16510-34E00	7	1	16540-27A02	7	15
16520-09301	6	11	16591-06B00	4	39
16525-06B00	6	13	16600-32F10	16	1
16528-27A20	1	16	16600-47F00	16	1
16528-27A20	6	14	16628-27A00	16	2
16529-27A01	1	17	16650-32F00	16	12
16529-27A01	6	15	17210-26E00	37	13
16530-27A02	7	14	17215-31F00	37	12
16540-27A02	7	15	17765-09F00	16	13
16591-06B00	4	39	18410-31F00	17	8
16600-32F10	16	1	18420-31F00	17	9
16600-47F00	16	1	18430-31F00	17	10
16628-27A00	16	2	18440-31F00	17	11
16650-32F00	16	12	18441-17C10	17	12
17210-26E00	37	13	18450-33E12	17	1
17215-31F00	37	12	18460-32F00	17	19
17765-09F00	16	13	18461-31F00	17	5
18410-31F00	17	8	18610-31F00	17	3
18420-31F00	17	9	18711-31F00	17	15
18430-31F00	17	10	21200-31861	18	1
18440-31F00	17	11	21231-06B00	22	30
18441-17C10	17	12	21410-31E50	18	4
18450-33E12	17	1	21441-31E60	18	7
18460-32F00	17	19	21441-31E70	18	6
18461-31F00	17	5	21442-31E21	18	8
18610-31F00	17	3	21451-31E00	18	9
18711-31F00	17	15			
21200-31861	18	1			
21231-06B00	22	30			
21410-31E50	18	4			
21441-31E60	18	7			
21441-31E70	18	6			
21442-31E21	18	8			
21451-31E00	18	9			

PART NUMBER	FIG. REF.		PART NUMBER	FIG. REF.	
	#	#		#	#
21451-31E10	18	10	31135-38B00	21	6
21462-31E20	18	11	31143-49040	21	4
21463-40C01	18	17	31150-26D00	21	7
21471-31E20	18	12	31156-48B00	21	8
21472-02F00	18	13	31170-19B10	21	9
21611-31E30	18	14	31264-31300	21	10
21614-31E20	18	15	31280-26D00	21	11
21623-31E20	18	16	31310-40C02	21	2
22721-27A03	18	37	31400-03F03	22	1
22730-27A					



# PART NUMBER INDEX

PART NUMBER	FIG. #	REF. #	PART NUMBER	FIG. #	REF. #	PART NUMBER	FIG. #	REF. #
34120-32F10	26A	1	34955-13E00	26C	12	35975-31F00	29	20
34120-32F10	26C	1	34981-35F00	26	18	35976-31F00	29	20
34124-31F10	26	6	34981-35F00	26A	17	36610-31FC0	30A	1
34124-31F10	26B	7	34981-35F00	26B	24	36610-31FE0	30	1
34124-32F00	26A	6	34981-35F00	26C	22	36610-31F20	30A	1
34124-32F00	26C	7	34990-33E10	26	19	36610-31F60	30	1
34149-17E10	26	3	34990-33E10	26B	25	36619-31F00	30	4
34149-17E10	26A	3	34990-35F00	26A	18	36619-31F20	30	5
34149-17E10	26B	3	34990-35F00	26C	23	36619-31F20	30A	3
34149-17E10	26C	3	35100-19F00-999	27A	1	36620-31F50	30	3
34149-31F10	26	11	35100-31F30-999	27	1	36853-31F00	30	6
34149-31F10	26A	10	35111-19F00	27A	2	36853-31F00	30A	4
34149-31F10	26B	15	35121-19F00	27A	3	36856-21E00	30	19
34149-31F10	26C	14	35125-24F00	27	2	36856-21E00	30A	18
34150-31F10	26	4	35127-31F50	27	3	37100-33E20	30	11
34150-31F10	26B	4	35135-45900	27A	4	37100-33E60	30A	9
34150-31F30	26	4	35151-19F00	27A	5	37103-33890	30	10
34150-32F00	26C	4	35152-45600	27A	6	37104-33810	30	10
34150-32F30	26A	4	35154-13F00	27A	7	37104-33850	30A	8
34152-31F10	26	8	35174-19F00	27A	8	37104-33890	30A	8
34152-31F10	26B	14	35181-19F00	27A	9	37146-33E00	30	20
34152-31F10	26C	13	35327-31F50	27	4	37146-33E00	30A	19
34152-31F30	26	6	35601-31FA0	28A	1	37200-27E31	31	1
34152-31F30	26A	8	35601-31F10	28	1	37400-24F30	31	5
34177-31F10	26	9	35602-31FA0	28A	1	37400-31F30	31	5
34177-31F10	26B	21	35602-31F10	28	1	37720-20C10	20	42
34179-21F00	26B	20	35603-31F30	28	10	37740-24A00	30	13
34179-21F00	26C	19	35603-31F30	28A	10	37740-24A00	30A	11
34183-31F10	26	7	35604-31F30	28	10	37820-33D10	4	52
34183-31F10	26A	7	35604-31F30	28A	10	37840-44X50	30	15
34183-31F10	26B	8	35612-31F30	28	2	37840-44X50	30A	13
34183-31F10	26C	8	35612-31F30	28	12	38500-20E00	30A	15
34188-31F10	26B	5	35612-31F30	28A	2	38500-31F00	30	17
34188-31F10	26C	5	35612-31F30	28A	12	38501-27E00	30A	16
34189-32B00	26	14	35629-31F00	28	6	38610-03F00	28	19
34189-32B00	26A	14	35629-31F00	28	15	38610-03F00	28A	19
34189-32B00	26B	12	35629-31F00	28A	6	41100-32F00-YC6	32	1
34189-32B00	26C	11	35629-31F00	28A	15	41100-32F00-YD8	32	1
34193-31F10	26	5	35632-31F30	28	3	41100-32F00-YD8	32A	1
34193-31F10	26A	5	35632-31F30	28	11	41100-32F00-Y7H	32A	1
34193-31F10	26B	6	35632-31F30	28A	3	41100-32F00-33J	32	1
34193-31F10	26C	6	35632-31F30	28A	11	41100-32F00-33J	32A	1
34198-19F20	26	10	35690-31F00	28	7	41900-32F00-33J	32	7
34198-19F20	26A	9	35690-31F00	28	16	41900-32F00-YD8	32	7
34198-19F20	26B	19	35690-31F00	28A	16	41900-32F00-33J	32	7
34198-19F20	26C	18	35690-31F50	28A	7	41900-47F00-YD6	32A	8
34199-31F10	26B	9	35710-31F31	29	1	41900-47F00-Y7H	32A	8
34199-31F10	26C	9	35712-31F30	29	2	41900-47F00-33J	32A	8
34383-31F10	26	17	35713-21F00	29	3	42100-31F00	33	12
34383-31F10	26A	11	35716-48B21	29	4	42310-32F00	33	1
34383-31F10	26B	22	35718-24F00	29	5	42321-03FK0	33	5
34383-31F10	26C	20	35726-31F00	29	11	42550-32F00	32	12
34810-31F00	36	9	35736-48B21	29	6	42550-32F00	32A	13
34825-31F00	36	10	35755-48B21	29	7	43111-31E01	33	6
34826-03F00	36	5	35927-48B30	29	14	43130-24A00	51	10
34950-31F10	26B	11	35950-14A00	27	10	43130-24A00	58	21
34950-31F10	26C	10	35950-14A00	27A	12	4326*-17C00	33	11
34955-13E00	26	13	35959-05900	27	11	43511-26E02	34	1
34955-13E00	26A	13	35959-05900	27A	13	43511-40C00	34	9
34955-13E00	26B	13	35970-14A20	29	18	43521-26E01	34	2

# PART NUMBER INDEX

PART NUMBER	FIG. #	REF. #	PART NUMBER	FIG. #	REF. #	PART NUMBER	FIG. #	REF. #
43521-40C00	34	10	44892-24A00	37	7	47161-04A00	38	13
43530-27E00	34	7	44894-24A00	37	5	47210-31F01-Y7L	38A	2
43534-46E10	34	17	44894-24A00	37	8	47210-31F01-35W	38	2
43536-31E20	34	18	45100-31F11-BH4	47	1	47221-31F01	38	4
43536-32F00	34	24	45149-05350	47	5	47221-31F01	38A	4
43550-31F00	34	16	45149-31300	47	2	47261-48B00	41	20
43550-40C11	34	23	45149-45330	35	9	47410-31F00	39	5
43550-40C11	34	34	45149-45330	35A	9	47412-31F00	39	7
43560-32C00	33	8	45213-31300	47	4	47412-31F10	39	7
43570-46E20	34	12	45220-20A01	47	6	47431-31F00	39	1
43585-03F00	32	2	45280-20A00	47	10	47511-32F00-291	32	14
43585-03F00	32A	2	45510-32F00-YC6	48B	1	47511-32F00-291	32A	15
43600-32F00	34	21	45510-32F00-YD8	48B	1	47521-32F00-291	32	15
43610-40C00	34	22	45510-32F00-Y7H	48B	1	47521-32F00-291	32A	16
43620-40C00	34	33	45510-32F00-33J	48B	1	47822-31F00	38	7
43642-40C00	34	27	45510-32F10-YC6	48	1	47822-31F00	38A	7
43642-40C00	34	37	45510-32F10-YD8	48	1	51103-32F00	49	
43700-32F00	34	32	45510-32F10-Y7H	48	1	51104-32F00	49	
44100-31F10-YD8	35A	1	45510-32F10-33J	48	1	51110-27E00	49	8
44100-31F10-Y7H	35A	1	45510-32F20-YD8	48C	1	51117-17C00	49	22
44100-31F10-33J	35A	1	45510-32F20-Y7H	48C	1	51121-17C00	49	9
44100-31F30-33J	35	1	45510-32F20-33J	48C	1	51130-32F00	49	1
44100-31F30-33J	35	1	45510-32F30-YD8	48A	1	51140-32F00	49	2
44100-31F30-33J	35	1	45510-32F30-Y7H	48A	1	51147-48130	49	12
44100-31F40-33J	35	1	45510-32F30-33J	48A	1	51148-36011	49	11
44100-31F40-YD8	35	1	46211-32F00-33J	48	13	51152-03F00	49	3
44100-31F40-33J	35	1	46211-32F00-33J	48B	13	51153-14D00	49	5
44100-31F50-YD8	35A	1	46211-32F00-YD8	48	13	51168-17C00	49	4
44100-31F50-33J	35A	1	46211-32F00-YD8	48A	14	51172-17C00	49	18
44200-33830	35	3	46211-32F00-YD8	48B	13	51172-17C00	49	18
44200-33830	35A	3	46211-32F00-Y7H	48	13	51173-29E00	49	7
44201-33810	35	3	46211-32F00-Y7H	48A	14	51176-12C10	49	16
44201-33810	35A	3	46211-32F00-Y7H	48B	13	51185-31E00	49	21
44240-17C00	37	3	46211-32F00-Y7H	48C	14	51186-17C00	49	15
44250-48B00	37	25	46211-32F00-33J	48	13	51189-14D00	49	19
44300-32F00	36	1	46211-32F00-33J	48	13	51195-31E00	49	10
44306-26E00	36	2	46211-32F00-33J	48A	14	51201-32F00	49	24
44348-87420	36	3	46211-32F00-33J	48B	13	51311-32F00	50A	10
44430-32F00	36	7	46211-32F00-33J	48C	14	51311-32F20	50	10
44434-31F00	37	1	46315-31F00	32	5	51353-24B00	50	9
44435-31F00	37	10	46315-31F00	32A	6	51353-24B00	50A	9
44437-31F00	37	21	46316-31F00	48	17	51356-24B01	50	8
44438-31F00	37	30	46316-31F00	48A	18	51356-24B01	50A	8
44439-31F00	37	31	46316-31F00	48B	17	51410-32F00	50	1
44462-32F00	36	13	46316-31F00	48C	18	51410-32F00	50A	1
44511-27E00	35	6	46317-31F00	32	6	51530-32F00	50A	22
44511-27E00	35A	6	46317-31F00	32A	7	51540-32F00	50A	23
44512-42E00	35	16	46317-31F00	48	16	51553-15D00	50A	24
44512-42E00	35A	16	46317-31F00	48A	17	51556-38B00	49	6
44541-31F00	35	10	46317-31F00	48B	16	51631-31F00	50	5
44541-31F00	35A	10	46317-31F00	48C	17	51631-31F00	50A	5
44550-31F01	35	11	47110-31F00-Y7L	38A	1	51643-40502	50	6
44550-31F01	35A	11	47110-31F00-35W	38	1	51643-40502	50A	6
44881-32F00	37	14	47115-19F00	48	4	51644-12C00	50	2
44882-02F01	37	18	47115-19F00	48A	5	51644-12C00	50A	2
44883-26E00	37	20	47115-19F00	48B	4	51800-32F00	39A	1
44884-31E00	37	28	47115-19F00	48C	5	51814-31F00	39A	2
44885-31F01	37	26	47121-31F00	38	3	51825-25D00	39A	3
44890-31F00	37	4	47121-31F00	38A	3	51827-27E00	49	17
			47155-31F00	38	6	51837-25D00	39A	4

AIR CLEANER.....	C-07	COWLING BODY.....	H-02	FRAME COVER.....	H-03	GASKET SET.....	B-02	OIL COOLER.....	C-09	SEAT TAIL COVER.....	J-03	TRANSMISSION.....	D-04
ALTERNATOR.....	E-03	COWLING INSTALLATIO.....	H-04	FRAME.....	G-02	GEAR SHIFTING.....	D-06	OIL PAN.....	B-09	SEAT.....	J-02	TURN SIGNAL	



# PART NUMBER INDEX

PART NUMBER	FIG. REF. #	FIG. REF. #	PART NUMBER	FIG. REF. #
51851-31F00	50A	25	58300-32F10	41 18
51858-25D00	39A	3	58410-32F00	41 19
51881-31F00	50A	26	58622-31F00	41 21
52110-32F00	49	13	59100-33E30	52
53111-31F00-YC6	40	1	59121-01A00	18 31
53111-31F00-YD8	40	1	59121-18410	52 9
53111-31F00-YD8	40A	1	59121-18410	59 9
53111-31F00-Y7H	40A	1	59122-01A00	18 32
53111-31F00-33J	40	1	59143-16700	59 5
53111-31F00-33J	40A	1	59145-05C50	59 4
53120-31F00	40	2	59145-33E00	52 6
53120-31F00	40A	2	59151-16701	59 8
53147-31F00	40	4	59151-46E00	52 7
53147-31F00	40A	4	59153-22D00	52 8
53148-31F00	40	5	59171-33E00	52 11
53148-31F00	40A	5	59210-31E30	51 7
54111-17E11-35W	51	1	59240-32F00	53 9
54711-17C10	51	4	59268-32F00	53 11
54740-17C00	51	5	59269-32F00	53 12
54750-32F00	51	6	59300-33E30	52
55110-32F00	51	9	59300-33870	52 1
55156-66310	52	10	59300-33880	52 2
55156-66310	59	10	59301-33890	52 3
55411-00A00	51	11	59371-20C00	59 11
55411-00A00	58	22	59381-20C00	59 12
55412-00A01	51	11	59440-32F00	53 10
55412-00A01	58	22	59480-31F00	53 8
56111-32F00	41	1	59480-31F10	53 8
56200-27861	41	2	59491-17E00	53 6
56211-32F00	50	13	59600-20C00	54
56211-32F00	50A	13	59600-20C20	54A
56221-27E00	50	12	59600-45860	54 1
56221-27E00	50A	12	59600-45860	54A 1
56241-27E00	50	16	59664-32F00	55 10
56241-27E00	50A	16	59664-32F00	55A 10
56242-28C60	50	17	59664-48B00	54 8
56242-28C60	50A	17	59664-48B00	54A 9
56243-42A00	50	19	59666-44300	55 3
56243-42A00	50A	19	59666-44300	55A 3
56272-19D00	41	5	59667-04700	60 12
56272-43500	41	7	59667-49460	54 2
56276-17D00	41	4	59667-49460	54A 2
56321-27E00	50	18	59667-49460	55 6
56321-27E00	50A	18	59667-49460	55A 6
56500-03F00	41	10	59668-41C00	54 3
56500-31F00	41	9	59668-41C00	54A 3
56524-28600	41	11	59668-41C00	55 7
56524-28600	41	14	59668-41C00	55A 7
56600-03F00	41	13	59669-05D00	60 13
56600-31F00	41	12	59669-41C00	54 4
57110-46E01	42	1	59669-41C00	54A 4
57211-22D01	42	7	59669-41C00	55 8
57300-33E01	42	2	59669-41C00	55A 8
57431-17C00	42	3	59671-19B00	54 6
57431-17C00	42	9	59671-32F00	55A 11
57460-17C00	42	5	59671-36500	55 11
57465-17C00	42	2	59671-44300	54A 6
57500-24F00	42	8	59675-02FA0	55 12
57560-02FA0	42	11	59675-02FA0	55A 12
58300-32F00	41	17	59675-19C00	54 7

5 GSF1200, S K2 E3/E33

© 2001 American Suzuki Motor Corporation

AIR CLEANER.....	C-07
ALTERNATOR.....	E-03
BATTERY.....	E-08
CAM CHAIN.....	C-03
CAM SHAFT / VALVE.....	C-02
CANISTER.....	H-02
CARBURETOR FITTING.....	C-06
CARBURETOR.....	C-04
CLUTCH MASTER CYLINDER.....	K-07
CLUTCH.....	D-02

COWLING BODY.....	I-02
COWLING INSTALLATION.....	I-04
CRANKCASE COVER.....	B-08
CRANKCASE.....	B-06
CRANKSHAFT.....	B-11
CYLINDER HEAD COVER.....	B-03
CYLINDER HEAD.....	B-04
CYLINDER.....	B-05
ELECTRICAL.....	E-05
FOOTREST.....	G-05

FRAME COVER.....	H-03
FRAME.....	G-02
FRONT BRAKE HOSE.....	K-04
FRONT CALIPERS.....	K-03
FRONT DAMPER.....	J-07
FRONT FENDER.....	H-07
FRONT MASTER CYLINDER.....	K-05
FRONT WHEEL.....	K-02
FUEL COCK.....	G-09
FUEL TANK.....	G-07

GAS-LET SET.....	B-02
GEAR SHIFTING.....	D-06
HANDLE LEVER.....	H-10
HANDLE SWITCH.....	F-09
HANDLEBAR.....	H-09
HEADLAMP HOUSING.....	H-08
HEADLAMP.....	F-02
LABEL.....	I-05
MANUAL BOX.....	H-05
MUFFLER.....	C-08

OIL COOLER.....	C-09
OIL PAN.....	B-09
OIL PUMP.....	B-10
OPTIONAL.....	L-07
REAR CALIPER.....	L-05
REAR CUSHION LEVER.....	L-03
REAR FENDER.....	H-11
REAR MASTER CYLINDER.....	L-06
REAR SWINGING ARM.....	L-02
REAR WHEEL.....	L-04

SEAT TAIL COVER.....	J-03
SEAT.....	J-02
SECOND AIR.....	C-10
SIGNAL GENERATOR.....	E-04
SPEEDOMETER.....	E-07
STAND.....	G-04
STARTER CLUTCH.....	B-12
STARTING MOTOR.....	E-02
STEERING STEM.....	J-08
TAIL LAMP.....	F-08

TRANSMISSION.....	D-04
TURN SIGNAL LAMP.....	F-04
WIRING HARNESS.....	F-07

6 GSF1200, S K2 E3/E33

© 2001 American Suzuki Motor Corporation

# PART NUMBER INDEX

PART NUMBER	FIG. REF. #	FIG. REF. #	PART NUMBER	FIG. REF. #
59675-19C00	54A	7	68131-32F10-M2R	48 2
59675-19C10	54A	8	68131-32F10-M2R	48A 2
59800-08810	55	2	68131-32F10-M2S	48 2
59800-08810	55A	2	68131-32F10-M2S	48A 2
59800-32F00	55A	1	68165-32F00-GW5	48A 3
59800-32F10	55	1	68165-32F00-GW5	48C 3
59871-38A00	55	4	68165-32F00-M2R	48A 3
59892-08A00	55	5	68165-32F00-M2R	48C 3
59892-08A00	55A	5	68165-32F00-M2S	48A 3
59910-32F00	55	16	68165-32F00-M2S	48C 3
59910-32F00	55A	16	68241-04X50-00B	35 5
59915-32F00	55	18	68241-04X50-00B	35A 5
59915-32F00	55A	18	68271-04AA0-YN7	35A 2
61000-27E20	56	1	68271-04AA0-OAT	35A 2
61124-17E10	56	25	68271-04A10-YN7	35 2
61211-31E00	56	6	68271-04A10-OAT	35 2
61251-31E00	56	5	68280-02F00-13L	44 7
61273-32F00	56	9	68280-02F00-13L	44A 7
61282-31E00	56	4	68319-29F00	46A 1
61311-27E10	56	12	68319-29F10	46B 1
61446-17E10	56	22	68319-33E01	46 1
61446-27C20	56	21	68319-33E11	46 1
62100-32F20	57	18	68332-32F00	46 4
62100-32F30	57	18	68332-32F00	46B 4
62100-32F50	57	18	68332-32F20	46 4
62311-28E00	57	20	68332-32F20	46A 3
62600-32850	57	1	68332-32F20	46B 4
62621-42E00	57	10	68353-26E01	46 2
62621-42E00	57	16	68353-26E02	46A 2
62641-32F00	57	13	68353-26E02	46B 2
62648-14500	57	19	68387-31F00	46A 4
62668-42A02	57	6	68387-32F00	46 6
62684-01D00	57	5	68387-32F00	46B 6
62684-40A10	57	12	68613-18E00	46 5
63111-31F10	43	1	68613-18E00	46B 5
63111-31F30	43	1	68613-24F00	46 5
63310-31F00	43	4	68613-24F00	46B 5
63411-31F00	43	2	68681-32F00-DL4	44 3
64111-17E11-35W	58	1	68681-32F00-DL6	44 3
64310-27E00-019	56	16	68681-32F00-DL7	44 3
64511-27E00	58	17	68681-32F00-GW2	44A 3
64611-32F00	58	6	68681-32F00-GW3	44A 3
64651-17E00	58	7	68681-32F00-HG8	44A 3
64711-32F10	58	8	68922-14F00	46 3
64731-40C00	58	11	68922-14F30	46 3
64733-32F00	58	9	68922-29F00	46B 3
64741-17E00	58	5	68922-29F30	46B 3
64751-46E00	58	10	69100-05CG0	59
65110-32F00	58	20	69100-05850	59 1
68131-32F00-DL4	48B	2	69100-32820	59 2
68131-32F00-DL5	48B	2	69101-05850	59 3
68131-32F00-DL6	48B	2	69141-45000	52 4
68131-32F00-DL7	48B	2	69141-46E01	59 6
68131-32F00-GW2	48C	2	69142-45000	52 5
68131-32F00-GW3	48C	2	69142-46E01	59 7
68131-32F00-HG8	48C	2	69211-21E00	58 2
68131-32F10-DL2	48	2	69480-31F00	60 18
68131-32F10-DL3	48	2	69600-04820	60 2
68131-32F10-GW5	48A	2	69600-17C01	60 1
68675-19C00	54A	7	69670-48B00	60 5
68675-19C10	54A	8	69672-05A00	60 7
69800-08810	55	2	69686-34200	60 8
69800-08810	55A	2	69689-04A00	60 14
69800-32F00	55A	1	69689-49300	54 5
69800-32F10	55	1	69689-49300	54A 5
69871-38A00	55	4	69689-49300	55 9
69892-08A00	55	5	69689-49300	55A 9
69892-08A00	55A	5	69691-00A00	60 3
69910-32F00	55	16	69692-27A30	60 4
69910-32F00	55A	16	69693-05A00	60 6
69915-32F00	55	18	69721-46E00	58 4
69915-32F00	55A	18	69731-31F00	60 16
61000-27E20	56	1	69740-38B21	60 11
61124-17E10	56	25	94401-32F00-YJX	44A 1
61211-31E00	56	6	94401-32F00-YWY	44A 1
61251-31E00	56	5	94401-32F00-33J	44 1
61273-32F00	56	9	94401-32F10-YC6	44 1
61282-31E00	56	4	94401-32F10-YD8	44 1
61311-27E10	56	12	94401-32F10-YUX	44A 1
61446-17E10	56	22	94402-32F00-YJX	44A 2
61446-27C20	56	21	94402-32F00-YWY	44A 2
62100-32F20	57	18	94402-32F00-33J	44 2
62100-32F30	57	18	94402-32F10-YC6	44 2
62100-32F50	57	18	94402-32F10-YD8	44 2
62311-28E00	57	20	94402-32F10-YUX	44A 2
62600-32850	57	1	94430-31F00-YC6	44 4
62621-42E00	57	10	94430-31F00-YD8	44 4
62621-42E00	57	16	94430-31F00-YD8	44A 4
62641-32F00	57	13	94430-31F00-Y7H	44A 4
62648-14500	57	19	94430-31F00-33J	44 4
62668-42A02	57	6	94430-31F00-33J	44A 4
62684-01D00	57	5	94440-31F00-Y7L	44A 5
62684-40A10	57	12	94440-31F00-35W	44 5
63111-31F10	43	1	94484-24F00	45 11
63111-31F30	43	1	94510-32F00	45 1
63310-31F00	43	4	94540-32F00	45 17
63411-31F00	43	2	94550-32F00	45 18
64111-17E11-35W	58	1	94561-32F00	32A 19
64310-27E00-019	56	16	94561-32F00	45 6
64511-27E00	58	17	94576-31F00	41 15
64611-32F00	58	6	94600-31F00-13L	44 6
64651-17E00	58	7	94600-31F01-13L	44A 6
64711-32F10	58	8	94640-31F01	44 8
64731-40C00	58	11	94640-31F02	44A 8
64733-32F00	58	9	95700-10834	47 8
64741-17E00	58	5	99000-25030	61 5



# PART NUMBER INDEX

PART NUMBER	FIG. REF. #	FIG. REF. #	PART NUMBER	FIG. REF. #	FIG. REF. #	PART NUMBER	FIG. REF. #	FIG. REF. #
02112-04083	12	18	06111-07004	34	29	08313-20083	45	5
02112-04087	22	17	06111-07004	34	39	08314-40183	58	24
02112-04107	12	29	07120-05123	26	20	08316-10053	22	20
02112-04253	22	18	07120-05123	26A	19	08316-10053	28	9
02112-05083	37	29	07120-05123	26B	26	08316-10053	28	18
02112-05087	13	5	07120-05123	26C	24	08316-10053	28A	9
02112-05103	23	8	07120-06103	17	4	08316-10053	28A	18
02112-05103	31	4	07120-06163	2	25	08316-10053	29	19
02112-05163	33	9	07120-06163	26B	23	08316-10063	3	7
02112-05253	31	6	07120-06163	26C	21	08316-10063	4	25
02112-05303	31	2	07120-06203	30	16	08316-10063	17	13
02112-05453	31	7	07120-06203	30A	14	08316-10063	27	9
02112-05503	31	3	07120-06453	48	14	08316-10063	29	17
02112-06103	11	6	07120-06453	48A	15	08316-10063	42	4
02112-06103	18	36	07120-06453	48B	14	08316-10063	42	10
02112-34253	22	15	07120-06453	48C	15	08316-10083	39A	11
02112-74123	60	9	07120-06553	4	10	08316-10083	56	24
02112-75163	20	46	07120-10303	32	8	08316-10103	2	11
02122-04203	36	4	07120-10303	32A	9	08316-10103	4	47
02122-06303	47	7	07130-06163	3	12	08316-20103	22	32
02142-04103	37	9	07130-06163	16	11	08319-21063	36	12
02142-05103	35	7	07130-06163	17	2	08319-31103	32	4
02142-05103	35A	7	07130-06253	5	6	08319-31103	32	9
02142-05123	14	13	07130-06253	5	18	08319-31103	32A	5
02142-05123	45	10	07130-06253	11	15	08319-31103	32A	10
02142-05163	34	36	07130-06253	18	34	08319-31107	50	20
02142-05203	34	35	07130-06303	5	7	08319-31107	50A	20
02142-05253	34	26	07130-06353	5	8	08319-31107	56	19
02142-05303	34	25	07130-06353	5	24	08319-31107	57	21
02142-05353	34	20	07130-06353	41	16	08319-31107	58	19
02142-05403	34	19	07130-06403	4	9	08319-31128	4	46
02142-06123	29	21	07130-06403	5	19	08319-31128	57	7
02142-06123	37	19	07130-06453	5	23	08319-31128	57	11
02142-06123	43	5	07130-06553	5	25	08319-31128	57	17
02142-06163	29	16	07130-06653	4	11	08322-01053	39A	5
02142-06163	56	26	07130-06703	5	26	08322-01063	10	13
02142-15163	45	12	07130-06753	5	27	08322-01063	41	6
02162-06123	39	8	07130-08123	1A	9	08322-01063	60	22
02162-06203	24	13	07130-08253	26	21	08322-01103	4	51
03211-04207	29	10	07130-08253	26A	20	08322-01123	4	50
03241-05163	45	9	07130-08253	26B	27	08331-31086	20	22
03242-04163	28	5	07130-08253	26C	25	08331-31126	7	11
03242-04163	28	14	07130-08303	23	7	08331-31126	20	31
03242-04163	28A	5	07130-08307	50	14	08331-31256	20	25
03242-04163	28A	14	07130-08307	50A	14	08331-31286	19	28
03541-05163	29	12	07130-08357	50	11	08331-41426	20	17
03541-05163	29	13	07130-08357	50A	11	08332-11063	34	15
03541-15123	38	5	07130-08503	32	10	08332-11063	34	31
03541-15123	38A	5	07130-08503	32A	11	08332-11063	34	41
04111-20158	60	23	07130-08653	4	12	08361-15063	22	19
04111-40408	58	25	08113-69050	20	16	08361-25088	15	14
04211-09129	5	22	08123-62047	51	3	08361-35068	21	12
04211-09129	7	7	08211-10283	22	31	08361-35068	22	27
04211-09129	18	33	08221-12205	7	9	09100-08287	56	23
04211-09189	5	4	08310-00053	26	16	09100-12053	4	43
04221-04069	20	24	08310-00053	26A	16	09103-06026	2	4
04221-04089	8	5	08310-00057	26B	17	09103-06163	4	4
04221-07129	19	19	08310-00057	26C	16	09103-07001	10	3
04221-07209	19	36	08310-00067	20	36	09103-07001	10	6
04221-08129	1A	11	08313-10063	43	7	09103-07001	4	22

# PART NUMBER INDEX

PART NUMBER	FIG. REF. #	FIG. REF. #	PART NUMBER	FIG. REF. #	FIG. REF. #	PART NUMBER	FIG. REF. #	FIG. REF. #
09103-08097	4	5	09136-06083	48B	3	09164-08015	34	43
09103-08098	4	7	09136-06083	48C	4	09164-08015	50	15
09103-08182	4	6	09136-06105	39	2	09164-08015	50A	15
09103-08367	45	2	09139-05021	32	16	09164-08020	45	3
09103-10019	56	18	09139-05021	32A	17	09164-24006	18	20
09103-10126	33	13	09139-05038	27A	11	09164-47001	18	5
09103-10136	4	42	09139-05054	45	7	09167-25013	19	10
09103-10289	4	44	09139-05054	45	22	09167-25019	19	45
09103-14005	9	4	09139-05055	45	15	09167-25021	19	9
09106-05017	35	4	09139-05070	38A	6	09167-28001	19	31
09106-05017	35A	4	09139-06027	50A	27	09167-28008	19	32
09106-06082	5	13	09139-06030	38	9	09168-06018	4	34
09106-06088	7	6	09139-06087	38A	9	09168-06023	5	5
09106-06089	7	5	09139-06087	45	21	09168-06023	5	14
09106-06099	16	16	09139-06092	47	9	09168-06023	5	20
09106-06099	16	16	09139-08016	30	12	09168-06023	6	6
09106-07009	1A	5	09139-08016	30A	10	09168-06023	11	9
09106-07010	1A	6	09140-06011	20	35	09168-06026	36	6
09106-08097	34	42	09148-05038	45	16	09168-08021	4	33
09106-08104	15	3	09148-05038	45	24	09168-08029	1A	10
09106-08118	60	10	09159-05019	45	13	09168-10002	20	21
09106-08125	51	8	09159-06024	41	8	09168-10003	2	12
09106-08125	58	3	09159-09001	8	2	09168-12002	4	31
09106-08147	34	4	09159-10058	4	45	09168-14002	2	27
09106-10064	34	8	09159-10069	2	10	09168-14002	4	38
09106-10068	32	3	09159-18007	56	8	09168-14002	6	8
09106-10068	32A	3	09159-20004	19	44	09168-16002	6	10
09108-10081	3	2	09159-24010	18	18	09168-16002	6	19
09108-10099	3	3	09160-05013	26B	18	09168-16002	16	8
09108-10108	3	4	09160-05013	26C	17	09168-16002	35	8
09111-10051	56	17	09160-05037	26	15	09169-05012	35A	8
09111-10058	33	4	09160-05037	26A	15	09169-06062	35	12
09112-06004	10	12	09160-06028	36	10	09169-06062	35A	12
09113-06001	43	3	09160-06028	38A	10	09169-06062	37	17
09116-06115	16	3	09160-06079	43	6	09169-25001	19	11
09116-06146	35	14	09160-06088	27	7	09180-05301	28	8
09116-06146	35A	14	09160-06088	29	15	09180-05301	28	17
09116-06146	37	15	09160-06128	36	11	09180-05301	28A	8
09116-06152	56	10	09160-08140	15	11	09180-05301	28A	17
09116-06167	16	3	09160-10060	2	13	09180-06092	56	14
09116-06172	35	18	09160-10126	34	30	09180-06095	24	9
09116-06172	35A	18	09160-10126	34	40	09180-06195	24	10
09118-08068	15	7	09160-12011	56	20	09180-06263	38	11
09119-05023	27	11	09160-12037	57	9	09180-06263	38A	11
09119-05023	27A	13	09160-12037	57	15	09180-06271	35	17
09119-10037	58	18	09160-12090	20	30	09180-06271	35A	17
09126-06011	19	17	09160-15045	18	25	09180-06283	56	11
09126-06011	20	12	09160-18022	33	7	09180-06284	39	3
09126-06011	20	14	09160-18030	56	7	09180-06291	48	5
09127-06021	41	3	09160-18030	58	23	09180-06291	48A	6
09128-06013	24	4	09160-25037	18	2	09180-06291	48B	5
09128-06024	21	13	09160-25056	18	19	09180-06291	48C	6
09128-06086	36	5	09161-10009	53	5	09180-06300	48	8
09132-03008	26	12	09161-10009	55	15	09180-06300	48A	9
09132-03008	26A	12	09161-10009	55A	15	09180-06300	48B	8
09132-03008	26B	16	09161-10009	60	20	09180-06300	48C	9
09132-03008	26C	15	09161-11008	1	18	09180-06310	16	4
09136-06011	56	13	09161-11008	1A	7	09180-08149	34	14
09136-06083	48	3	09161-13005	34	5	09180-08152	15	8
09136-06083	48A	4	09161-17002	34	6	09180-08166	45	4

AIR CLEANER.....	C-07	COWLING BODY.....	H-02	FRAME COVER.....	H-03	GASKET SET.....	B-02	OIL COOLER.....	C-09	SEAT TAIL COVER.....	J-03	TRANSMISSION.....	D-04
ALTERNATOR.....	E-03	COWLING INSTALLATIO.....	H-04	FRAME.....	G-02	GEAR SHIFTING.....	D-06	OIL PAN.....	B-09	SEAT.....	J-02	TURN SIGNAL LAMP.....	F-04
BATTERY.....	E-06	CRANKCASE COVER.....	B-08	FRONT BRAKE HOSE.....	K-04	HANDLE LEVER.....	H-10	OIL PUMP.....	B-10	SECOND AIR.....	C-10	WIRING HARNESS.....	F-07
CAM CHAIN.....	C-03	CRANKCASE.....	B-06	FRONT CALIPERS.....	K-03	HANDLE SWITCH.....	F-09	OPTION					



# PART NUMBER INDEX

PART NUMBER	FIG. REF. # #	PART NUMBER	FIG. REF. # #	PART NUMBER	FIG. REF. # #
09180-08168	39A 10	09267-25009	50 7	09320-14023	48B 7
09180-08199	48 6	09267-25009	50A 7	09320-14023	48B 11
09180-08199	48 10	09267-25011	19 37	09320-14023	48C 8
09180-08199	48A 7	09267-30010	50 3	09320-14023	48C 12
09180-08199	48A 11	09267-30010	50A 3	09321-10011	47 3
09180-08199	48B 6	09280-04004	4 27	09321-10032	33 17
09180-08199	48B 10	09280-05004	12 4	09352-30503-600	16 14
09180-08199	48C 7	09280-12012	16 9	09352-50823-600	35 21
09180-08199	48C 11	09280-14011	3 10	09352-50823-600	35 21
09180-08213	15 12	09280-14011	49 20	09352-50823-600	35 21
09180-10113	33 14	09280-15007	3 11	09352-50823-600	35A 21
09180-12125	57 8	09280-17002	4 36	09352-50823-600	35A 22
09180-12125	57 14	09280-17003	5 10	09352-50823-600	35A 23
09180-20103	51 2	09280-18009	6 16	09352-50903-600	12 40
09180-25100	19 43	09280-18009	7 4	09352-70113-00B	35 19
09181-20251	19 23	09280-21008	4 26	09352-70113-00B	35A 19
09181-22223	19 24	09280-22016	7 13	09359-40701-600	17 17
09181-28167	19 27	09280-25001	19 46	09360-10041	53 1
09200-06037	60 21	09280-35006	20 44	09360-10041	53 2
09206-08001	2 5	09280-42003	1 19	09360-10041	55 13
09206-11014	9 2	09280-42003	2 23	09360-10041	55A 13
09206-11017	4 3	09283-34005	19 39	09360-10041	60 19
09206-11017	5 17	09285-06015	18 27	09360-10042	53 4
09206-13004	4 2	09285-12002	20 29	09360-10042	55 14
09206-13017	3 8	09285-20006	19 15	09360-10042	55A 14
09208-08010	34 11	09285-28001	58 13	09360-10043	53 3
09209-05011	20 43	09285-35001	58 16	09360-16002	16 10
09209-11007	2 8	09289-05011	10 22	09367-06002	35 22
09247-12103	4 32	09300-28002	19 26	09367-06002	35A 24
09247-14002	6 7	09301-25001	19 6	09380-25003	19 12
09248-14010	2 26	09319-08045	34 3	09380-25013	19 3
09248-14010	4 37	09320-08001	37 16	09381-10004	2 3
09248-16003	4 35	09320-08013	32 17	09381-20004	8 13
09248-16012	6 9	09320-08013	32A 18	09381-84003	18 21
09250-05009	48 15	09320-08013	56 15	09390-62012	19 14
09250-05009	48A 16	09320-08018	38 8	09390-62012	19 38
09250-05009	48B 15	09320-08018	38A 8	09401-06101	12 38
09250-05009	48C 16	09320-08028	45 14	09401-10410	13 25
09250-06011	50 21	09320-08028	45 23	09401-11407	37 22
09250-06011	50A 21	09320-09009	35 13	09401-11413	37 2
09250-08012	32A 4	09320-09009	35A 13	09401-11413	37 11
09250-08016	32 11	09320-09010	27 8	09401-11413	37 23
09250-08016	32A 12	09320-09016	38 12	09401-11413	37 32
09259-20008	5 9	09320-09016	38A 12	09401-13409	17 7
09261-05003	20 9	09320-09016	45 20	09401-13417	14 10
09261-05006	7 10	09320-10015	16 5	09401-13417	17 6
09262-20042	58 14	09320-10038	35 15	09401-13417	36 8
09262-20114	58 12	09320-10038	35A 15	09401-13417	60 17
09262-25051	19 13	09320-10045	39 4	09401-14404	14 7
09262-25114	58 15	09320-12048	15 9	09401-15101	17 16
09263-15003	18 26	09320-12065	39A 9	09401-16401	14 8
09263-17034	57 4	09320-12068	48 9	09402-52208	2 24
09263-17037	56 3	09320-12068	48A 10	09402-54208	14 12
09263-17037	57 3	09320-12068	48B 9	09404-06432	24 18
09263-20040	19 35	09320-12068	48C 10	09404-06432	30 7
09263-20049	19 18	09320-12069	15 13	09404-06432	30A 5
09263-20064	57 2	09320-14023	48 7	09404-06434	30 7
09263-25059	56 2	09320-14023	48 11	09404-06434	30A 5
09263-35017	18 3	09320-14023	48A 8	09404-08207	30A 5
09263-43001	20 15	09320-14023	48A 12	09404-10417	35 20

# PART NUMBER INDEX

PART NUMBER	FIG. REF. # #	PART NUMBER	FIG. REF. # #	PART NUMBER	FIG. REF. # #
09404-10417	35A 20	09493-26007	4 30	09407-11402	30 8
09407-11402	30 8	09493-34004	12 22	09407-11402	30A 6
09407-14403	23 9	09494-00921	12 12	09407-14403	30A 6
09407-14403	30 8	09800-21017	39 9	09407-14403	30A 6
09407-14403	30A 6	09817-00039	39 11	09407-14403	35 23
09407-14403	35 23	09822-00005	39 10	09407-14403	35A 25
09407-14403	47 11			09407-14403	47 11
09407-14403	55 17			09407-14403	55 17
09407-14403	55A 17			09407-14407	30 9
09407-18402	17 18			09407-14407	30A 7
09407-18402	30 8			09407-18402	17 18
09407-18402	30A 6			09407-18402	30 8
09407-18402	37 24			09407-18402	30A 6
09409-06314-5PK	45 8			09407-18402	37 24
09409-06314-5PK	48 12			09409-06314-5PK	45 8
09409-06314-5PK	48A 13			09409-06314-5PK	48 12
09409-06314-5PK	48B 12			09409-06314-5PK	48B 12
09409-06314-5PK	48C 13			09409-06314-5PK	48C 13
09409-08308-5ES	36 14			09409-08308-5ES	36 14
09440-04003	20 10			09440-04003	20 10
09440-04010	20 45			09440-04010	20 45
09440-05003	34 28			09440-05003	34 28
09440-05003	34 38			09440-05003	34 38
09440-13014	10 11			09440-13014	10 11
09443-06054	30 14			09443-06054	30 14
09443-06054	30A 12			09443-06054	30A 12
09443-09033	20 19			09443-09033	20 19
09443-12048	33 2			09443-12048	33 2
09443-13029	33 10			09443-13029	33 10
09443-14059	33 15			09443-14059	33 15
09443-19010	33 3			09443-19010	33 3
09443-22013	33 16			09443-22013	33 16
09444-26017	20 27			09444-26017	20 27
09448-18022	34 13			09448-18022	34 13
09462-00034	39 12			09462-00034	39 12
09471-12045	28 4			09471-12045	28 4
09471-12045	28 13			09471-12045	28 13
09471-12045	28A 4			09471-12045	28A 4
09471-12045	28A 13			09471-12045	28A 13
09471-12081	29 8			09471-12081	29 8
09471-12083	29 9			09471-12083	29 9
09471-12150	27 6			09471-12150	27 6
09471-12151	27 5			09471-12151	27 5
09471-12185	27A 10			09471-12185	27A 10
09481-10501	30 2			09481-10501	30 2
09481-10501	30A 2			09481-10501	30A 2
09481-15501	30 2			09481-15501	30 2
09481-15501	30A 2			09481-15501	30A 2
09481-30101	24 3			09481-30101	24 3
09482-00389	2 20			09482-00389	2 20
09482-00391	2 20			09482-00391	2 20
09491-20019	12 15			09491-20019	12 15
09491-60010	12 24			09491-60010	12 24
09492-15017	12 23			09492-15017	12 23
09493-14002	4 28			09493-14002	4 28
09493-24010	4 29			09493-24010	4 29

M 5

AIR CLEANER.....	C-07	COWLING BODY.....	I-02	FRAME COVER.....	H-03	GASKET SET.....	B-02	OIL COOLER.....	C-09	SEAT TAIL COVER.....	J-03	TRANSMISSION.....	D-04
ALTERNATOR.....	E-03	COWLING INSTALLATIO.....	I-04	FRAME.....	G-02	GEAR SHIFTING.....	D-06	OIL PAN.....	B-09	SEAT.....	J-02	TURN SIGNAL LAMP.....	F-04
BATTERY.....	E-05	CRANKCASE COVER.....	B-08	FRONT BRAKE HOSE.....	K-04	HANDLE LEVER.....	H-10	OIL PUMP.....	B-10	SECOND AIR.....	C-10	WIRING HARNESS.....	F-07
CAM CHAIN.....	C-03	CRANKCASE.....	B-06	FRONT CALIPERS.....	K-03	HANDLE SWITCH.....	F-09	OPTIONAL.....	L-07	SIGNAL GENERATOR.....	E-04		
CAM SHAFT / VALVE.....	C-02	CRANKSHAFT.....	B-11	FRONT DAMPER.....	J-07	HANDLEBAR.....	H-09	REAR CALIPER.....	L-05	SPEEDOMETER.....	E-07		
CANISTER.....	H-02	CYLINDER HEAD COVER.....	B-03	FRONT FENDER.....	H-07	HEADLAMP HOUSING.....	H-06	REAR CUSHION LEVER.....	L-03	STAND.....	G-04		
CARBURETOR FITTING.....	C-06	CYLINDER HEAD.....	B-04	FRONT MASTER CYLIND.....	K-05	HEADLAMP.....	F-02	REAR FENDER.....	H-11	STARTER CLUTCH.....	B-12		
CARBURETOR.....	C-04	CYLINDER.....	B-05	FRONT WHEEL.....	K-02	LABEL.....	L-05	REAR MASTER CYLIND.....	L-06	STARTING MOTOR.....	E-02		