

PREFACE

When it becomes necessary to replace parts on SUZUKI MOTORCYCLES, always use SUZUKI GENUINE PARTS which have passed a strict inspection which guarantees quality and performance.

This parts catalogue covers the list of all service parts for SUZUKI GS1100ET, GS1100EX.

A. INSTRUCTIONS FOR QUOTING THE CATALOGUE

1. DIMENSIONS

Dimensions of the parts in this catalogue are indicated in unit millimeters.

2. ABBREVIATIONS

Abbreviations used in this catalogue are as follows:

- | | | | | | |
|---------------|----|----------------------------------------------------------------------|-----|---|-----------------|
| AR | : | As required | NT | : | Number of teeth |
| ASSY | : | Assembly | OPT | : | Optional |
| E.No. | : | Engine Number | OS | : | Over Size |
| F.No. | : | Frame Number | STD | : | Standard |
| d | : | Diameter of material | T | : | Thickness |
| ID | : | inside diameter | US | : | Under size |
| OD | : | Outside diameter | W | : | Width |
| L | : | Length | | | |
| LH | : | Left hand side | | | |
| RH | : | Right hand side | | | |
| ~123456 | : | Up to F.No.GS110X-123456 (GS1100ET) | | | |
| 12~456~ | : | From F.No.GS110X-123456 (GS1100ET) | | | |
| ~123456 | : | Up to GU71A B2123456 (GS1100EX) | | | |
| 123456 | : | From GU71A B2123456 (GS1100EX) | | | |
| 12 x 34 x 5.6 | : |Figures in the description column show the dimensions of parts. | | | |
| ID | OD | T(or W,L) | | | |

3. INNER PARTS OF ASSEMBLY

Parts number that have a period (.) mark in front of the part description on a text page are separately serviced parts of the assembly.

4. MODIFICATION NOTICE

A parts bulletin will be sent to you on all occasions when changes in parts occur, including interchangeable modifications between new parts and old ones.

5. NOTE

5-1. There are some different parts from those of production models among spare parts for the administrative reasons and common use of them with other models.

5-2. In respect of rubber hoses and vinyl tubes, please be sure to use them by cutting off according to the length mentioned on parts catalogue or what is actually required on the vehicle.

5-3. Note that the drawings on the illustration page are for ready reference of spare parts number, not to be used as an assembly manual.
When assembling, use "SUZUKI SERVICE MANUAL".

6. ON ISSUE TO NEW SPART PARTS CATALOGUE

This parts catalogue was arranged to include modifications as of May, 1980. Once each year new parts catalogue will be issued, containing, of course, all prior modifications.
Upon receipt of each new issue the old catalogue should be destroyed.

7. SERIAL FRAME NUMBER

GS1100ET : F.No.GS110X-500001~
GS1100EX : GU71A B2100001~

AIR CLEANER	G 9	CRANK COVER	B 7	FOOTREST	G 4	FRONT WHEEL	H 6	HOUSING HEADLAMP	M 5	REAR LIGHTS	I 7	SEAT	G 9	STEERING STEM	H 3
BATTERY	F 6	CRANKCASE	B 5	FRAME	G 2	FUEL COCK	G 8	LEFT HANDLE SW	H 9	REAR COMB. LAMP	F 5	SEAT TAIL COVER	G 10	TRANSMISSION	D 4
CAM CHAIN	C 5	CRANKSHAFT	C 2	FRAME COVER	G 12	FUEL TANK	G 6	MASTER CYLINDER	C 1	REAR FENDER	I 4	SIGNAL GENERATOR	E 5	TURN SIGNAL LAMP	F 3
CAM SHAFT	C 4	CYLINDER	B 4	FRONT BRAKE HOSE	H 12	GEAR SHIFTING	G 9	MUFFLER	C 1	REAR MASTER CYL	I 9	SPEEDUTACHO	E 7	WIRING HARNESS	F 7
CARBURETOR	C 6	CYLINDER HEAD	B 3	FRONT CALIPERS	H 10	GENERATOR	E 3	OIL PUMP	G 8	REAR SWING ARM	I 2	STAND	G 3		
CHAIN CASE	I 3	CYLINDER HEAD COVER	B 2	FRONT FORK	H 2	HANDLEBAR	H 7	OPTIONAL	I 11	REAR WIRE	I 5	STARTER CLUTCH	C 3	GS1100ET F.No.GS110X-500001~	
CLUTCH	F 2	ELECTRICAL	F 6	FRONT MASTER CYL	H 11	HEADLAMP	F 2	REAR BRAKE HOSE	I 10	RIGHT HANDLE SW	H 8	STARTING MOTOR	E 2	GS1100EX GU71A B2100001~	

Color Chart

Color No.	Color description	Munsell color notation	Models			
			T	X		
019	Black	N1	o	o		
05F	Sunday Orange (Tape)		o	o		
05L	Candy Imperial Maroon		o			
05W	Dark Red (Tape)		o			
064	Pure White	N9.5	o			
07G	Pure Red (Tape)		o	o		
08D	Marble Re Mans Blue			o		
08E	Pharl Black			o		
08K	Vivid Blue (Tape)		o	o		
08L	light Blue (Tape)		o	o		
11B	Shadow Blue (Tape)		o			
291	Black Non - Gloss			o		
737	Stardust Silver Metallic		o			
764	Gold (Tape)		o	o		
41G	Black (leather)		o	o		
57B	Combination (064+019)		o			
72B	Combination (05F+07G+05W)		o			
72D	Combination (08L+08K+11B)		o			
75F	Combination (05F+07G)		o			
75G	Combination (08L+08K)		o			
998	Combination (764+019)		o			

AIR CLEANER C-9	CRANK COVER B-7	FOOTREST G-4	FRONT WHEEL H-6	HOUSING HEADLAMP H-5	REAR CALIPERS I-7	SEAT G-9	STEERING STEM H-3
BATTERY E-6	CRANKCASE C-2	FRAME G-2	FUEL COCK G-8	LEFT HANDLE SW H-9	REAR COMBL LAMP F-5	SEAT TAIL COVER D-4	TRANSMISSION D-4
CAM CHAIN C-5	CRANKSHAFT C-2	FRAME COVER G-2	FUEL TANK G-2	MASTER CYLINDER G-6	REAR FENDER I-8	SIGNAL GENERATOR I-4	TURN SIGNAL LAMP F-3
CAM SHAFT C-4	CYLINDER C-6	FRONT BRAKE HOSE H-12	GEAR SHIFTING H-10	MUFFLER G-10	REAR MASTER CYL I-9	SPEED/TACHO E-7	WIRING HARNESS F-7
CARBURETOR C-6	CYLINDER HEAD C-6	FRONT CALIPERS H-3	GENERATOR E-3	OIL PUMP E-3	REAR SWING ARM I-2	STAND G-3	
CHAIN CASE I-3	CYLINDER HEAD COVER C-6	FRONT FORK H-2	HANDLEBAR H-7	OPTIONAL H-7	REAR WHEEL I-11	STARTER CLUTCH 5	
CLUTCH D-2	ELECTRICAL F-6	FRONT MASTER CYL H-11	HEADLAMP H-11	REAR BRAKE HOSE F-2	RIGHT HANDLE SW I-10	STARTING MOTOR H-8	

A2

00014
GS1100EX GU71A B2100001

G S I L I O D E X

ITEM	STANDARD	LIMIT
VALVE SPECS		
Valve Lift	IN: 7.0mm EX: 6.5mm	---
Tapet Clearance or Valve Clearance	IN: 0.07-0.12mm EX: 0.07-0.12mm	---
Valve Guide--Valve Stem Clearance	IN: 0.025-0.052mm EX: 0.040-0.067mm	0.35mm 0.35mm
Valve Guide I.D. (IN/EX)	5.500-5.518mm	---
Valve Stem O.D.	IN: 5.460-5.475mm EX: 5.445-5.460mm	---
Valve Stem Deflection (IN & EX)	---	0.05mm
Valve Head Thickness (IN & EX)	---	0.5mm
Valve Seat Width (IN/EX)	0.9-1.1mm	---
Valve Head Radial Runout (IN & EX)	---	0.03mm
Valve Spring Free Length	INN: OUT	31.9mm 35.0mm
Valve Spring Tension	INN: 4.4-6.4kg (9.7-14.1 lb) OUT: 6.5-8.9kg (14.3-19.6 lb)	@ 28.5mm @ 32.0mm
Rocker Arm I.D. (IN & EX)	12.000-12.018mm	---
Rocker Arm Shaft O.D. (IN & EX)	11.973-11.984mm	---

CAMSHAFT		
Cam Height	IN: 34.650-34.690mm EX: 34.360-34.400mm	34.350mm 34.060mm
Camshaft--Journal Clearance (IN & EX)	0.020-0.054mm	0.150mm
Camshaft Journal I.D. (IN & EX)	22.000-22.013mm	---
Camshaft Journal O.D. (IN & EX)	21.950-21.980mm	---
Camshaft Deflection (IN & EX)	---	0.10mm
Cam Chain 20 Pitch Length	---	157.80mm

PISTON/RING/CYLINDER		
Compression Pressure	9-14kg/cm ² (128-171psi)	7kg/cm ² (100psi)
Max. Difference Between Cylinders	---	2kg/cm ² (27psi)
Piston--Cylinder Clearance	0.050-0.060mm	0.20mm
Cylinder Bore	72.000-72.013mm	72.080mm
Piston Dia./Measuring Pt.	71.946-71.960mm	71.930mm
Cylinder Warp	---	0.2mm
Piston ring free end gap	1st: approx 0.5mm 2nd: approx 11.0mm	0.75mm 0.8mm
Piston ring End Gap	0.10-0.20mm	0.20mm
Piston Ring--Groove Clearance	---	1st: 0.140mm 2nd: 0.130mm

ITEM	STANDARD	LIMIT
Piston Pin Bore I.D.	18.001-18.006	18.030mm
Piston Pin O.D.	17.996-18.000	17.980mm
CRANKSHAFT		
Con-rod Small End Hole	18.006-18.014mm	18.040mm
Big End Side Clearance	0.10-0.65mm	1.00mm
Con-rod Big End Wear	---	---
Crankshaft Runout	---	0.1mm
Crankshaft Web to Web Width	---	---
OIL PUMP		
Oil Pressure @ 60°C	ABOVE 0.1 kg/cm ² (1.42psi)	---
Tip Clearance	BELOW 0.5 kg/cm ² (7.11psi)	@ 3000rpm
Outer Rotor Clearance	---	---
Side Clearance	---	---
Oil Pump Reduction Ratio	1.723 (87/49 x 33/34)	---
Oil Pump Discharge Rate	---	---

CLUTCH		
Drive Plate Thickness	2.9-3.1mm	2.6mm
Drive Plate Warp	---	---
Driven Plate Thickness	2.0 ± 0.06mm	---
Driven Plate Warp	---	0.1mm
Drive Plate Dia. Width	15.6-15.8mm	14.8mm
Clutch Spring Free Length	---	38.5mm
Pril. Drive--Driven Gear Backlash	---	---

TRANSMISSION		
Primary Reduction	1.775 (87/49)	---
Final Reduction	2.800 (42/15)	---
Gear Ratios, Low/2nd	2.500 (35/14)	1.777 (32/18)
3rd/4th	1.380 (29/21)	1.135 (27/24)
5th/Top	0.961 (25/26)	---
Gear Backlash 1st/2nd	---	---
3rd/4th	---	---
5th/Top	---	---
Shift Fork--Groove Clearance	---	0.80mm
Shift Fork--Groove Width	5.45-5.50mm	---
Shift Fork Thickness	4.95-5.05mm	---
Drive Chain Size	DID 530YL or TAKASAGO Rk610GSV	96 links
Chain Length	---	38.1mm

AIR CLEANER	C-1	CRANK COVER	S-7	FOOTREST	G-4	FRONT WHEEL	H-6	HOUSING HEADLAMP	M-5	REAR CALIPERS	L-7	SEAT	G-9	STEERING STEM	N-3
BATTERY	E-6	CRANKCASE	S-6	FRAME	G-2	FUEL COCK	G-8	LEFT HANDLE SW	M-8	REAR DOWNLAMP	F-5	SEAT TAIL COVER	G-10	TRANSMISSION	D-4
CAM SHAFT	C-2	CRANKSHAFT	S-12	FUEL TANK	G-12	FUEL TANK	G-6	MASTER CYLINDER	M-9	REAR FENDER	L-8	SIGNAL GENERATOR	S-5	TURN SIGNAL LAMP	F-3
CAM SHIELD	C-4	CYLINDER	S-4	FRONT BRAKE COVER	S-4	FRONT BRAKE NOSE	M-12	GEAR SHIFTING	O-6	MUFFLER	M-10	SPEED/TACHO	E-7	WIRING HARNESS	F-7
CARBURETOR	C-3	CYLINDER HEAD	S-3	FRONT CALIPERS	M-10	GENERATOR	E-3	OIL PUMP	E-3	REAR SWING ARM	L-2	STAND	G-3	---	---
CHAIN CASE	C-5	CYLINDER HEAD COVER	S-2	FRONT FORK	M-2	HANDLEBAR	M-7	OPTIONAL	M-7	REAR WHEEL	L-1	STARTER CLUTCH	C-3	GS1100ET F.No.GS110X - 300001	---
CLUTCH	O-2	ELECTRICAL	F-6	FRONT MASTER CYL.	M-11	HEADLAMP	F-7	REAR BRAKE HOSE	L-10	NIGHT HANDLE SW	M-8	STARTING MOTOR	E-2	GS1100ER GUTIA B2100001	---

A3

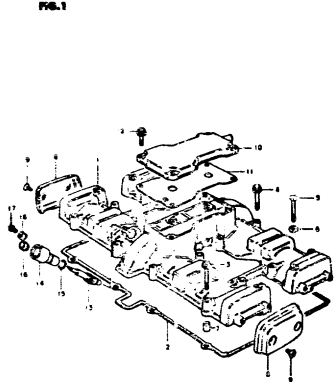
ITEM	STANDARD	LIMIT
CARBURETOR		
Idle RPM	1050 ± 100rpm	
Carburetor Type	Mikuni BS14SS	
I.D. No.	49200mm	
Bore Size	34mm	
Float Height	22.4 ± 1.0mm	
Fuel Level	5.0 ± 0.5	
Air Screw		
List Screw	PRE-SET	
Pilot Air Jet	#160	
Pilot Jet	#45	
Cut Away		
Jet Needle	5D58	
Needle Jet	X-1	
Secondary Air Jet		
Pilot Outlet	#9	
Main Jet	#107.5mm	
ELECTRICAL		
Ignition		
Ignition Timing	120° BTDC BEH W 1500 ± 150rpm 122° BTDC AB E 1250 ± 150rpm	
Firing Order	1-2-4-3	
Spark Plug	NGK D8EA or ND X14ES-U	
Spark Plug Gap	0.6-0.7mm	
Contact Point Gap		
Dwell Angle		
Spark Performance	over 8mm	
Condenser Capacity		
Ignition Coil Resistance (Pri.)	0/W-W or B/Y approx 1-5ohms	
Ignition Coil Resistance (Sec.)	Plug Cap - Plug Cap approx 31-33k ohms	
Signal Coil Resistance	B1-C approx 290-360 ohms	
High Speed Coil Resistance		
Low Speed Coil Resistance		
Exciter Coil Resistance		
Blower Coil Resistance		
Charging Coil Resistance		
Lighting Coil Output		
Battery	5YB14L-A2	
Specific Gravity	1.28 @ 20°	
Regulated Amperage		
Regulated Voltage	14-15.5V @ 1500rpm (4) 10A (1) 15A	
Chase Capacity		

ITEM	STANDARD	LIMIT
Headlight (Low/High)	12v 55w/60w	
Instrument Bulbs (Speed)	12v 3.4w/3.4w/3.4w	
Tach/Hi Beam/Turn Signal	3.4w/3.4w/3.4w	
Oil Pressure		
Tail Light/Stop light	12v 8w/23w	
Turn Signal Bulbs	12v 8w/23w	
CHASSIS		
Axle Runout (Front/Rear)	---	0.25mm
Brake Drum I.D.	Front: --- Rear: ---	
Brake Lining Thickness	Front: --- Rear: ---	
Brake Disc Thickness (Front & Rear)	Front: 5.0 ± 0.2mm Rear: 6.7 ± 0.2mm	4.5mm 6.0mm
Master Cylinder Cylinder Bore	Front: 15.870-15.913mm Rear: 14.000-14.043mm	---
Master Cylinder Piston Diameter	Front: 15.811-15.838mm Rear: 13.957-13.984mm	---
Brake Caliper Cylinder Bore	Front: 38.180-38.219mm Rear: 38.180-38.256mm	---
Brake Caliper Piston Dia.	Front: 38.025-38.050mm Rear: 38.098-38.148mm	---
Wheel Rim Runout (Radial & Axial)	---	1.0mm
Tire Size	Front: 3.50V19 4PR Rear: 4.50V17 4PR	---
Tire Tread Depth	Front: --- Rear: ---	1.6mm 2.0mm
Tire Pressure	FRONT SOLO DUAL REAR SOLO DUAL	
Normal Riding	25 psi 28 psi 28 psi 36 psi	
Continuous High Speed Riding	28 psi 32 psi 36 psi 40 psi	
Fork Spring Free Length	---	518mm
Swinging Arm Pivot Shaft Runout	---	0.3mm
FUEL & OILS		
Fuel Type	Low-lead or Unleaded	
Engine Oil Type	SAE 10W/40	
Engine Oil Capacity	chg 3.200ml/w/flt 3.600ml/w/othl 4.000ml	
Transmission Oil Type/Cap		
Front Fork Air Pressure	7.11 psi	
Fork Oil Type/Cap./Level	High Quality SAE 15 238ml/215mm	

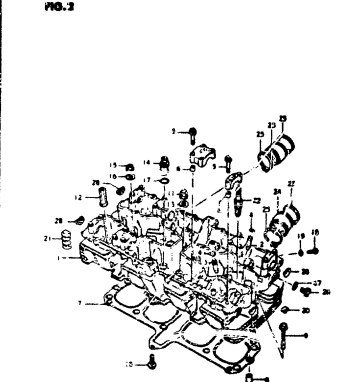
G S I O O E X

A4

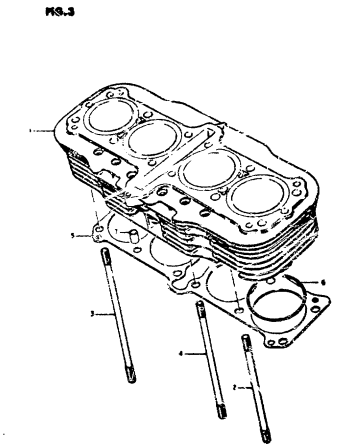
AIR CLEANER	C-1	CRANK COVER	B-7	FOOTREST	G-7	FRONT WHEEL	H-6	HOUSING HEADLAMP	H-5	REAR CALIPERS	L-7	SEAT	G-8	STEERING STEM	H-3
BATTERY	E-4	CRANKCASE	B-5	FRAME	G-2	FUEL LOCK	G-2	LEFT HANDLE SW	H-9	REAR COMBI LAMP	F-5	SEAT TAIL COVER	G-18	TRANSMISSION	D-4
CAM CHAIN	C-6	CRANKSHAFT	C-2	FRAME COVER	G-12	FUEL TANK	G-6	MASTER CYLINDER	L-8	REAR FENDER	L-4	SIGNAL GENERATOR	E-6	TURN SIGNAL LAMP	F-3
CAM SHAFT	C-4	CYLINDER	H-4	FRONT BRAKE HOSE	H-12	GENERATOR	E-3	BUFFER	D-8	REAR MASTER CYL	L-10	SPEEDO/TACHO	E-7	WIRING HARNESS	F-7
CARBURETOR	C-3	CYLINDER HEAD	H-3	FRONT CALIPERS	H-10	HANDLEBAR	H-7	OPTIONAL	H-11	REAR SHOCK ARM	L-12	STAND	G-3		
CHAIN CASE	D-3	CYLINDER HEAD COVER	H-2	FRONT FORK	H-2	HEADLAMP	F-2	REAR BRAKE HOSE	L-10	RIGHT HANDLE SW	H-9	STARTING MOTOR	E-2	CS1108EY E.No GS110X 500011	
CLUTCH	D-2	ELECTRICAL	F-4	FRONT MASTER CYL	H-11									SS1108EX GUYA B2160011	



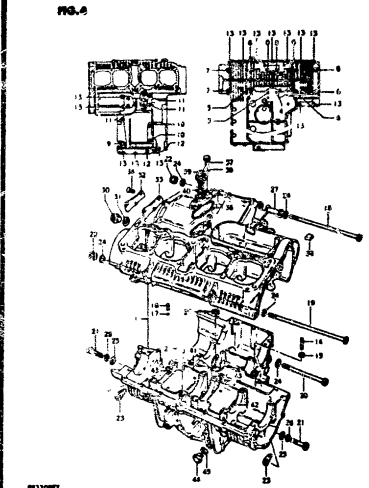
B2



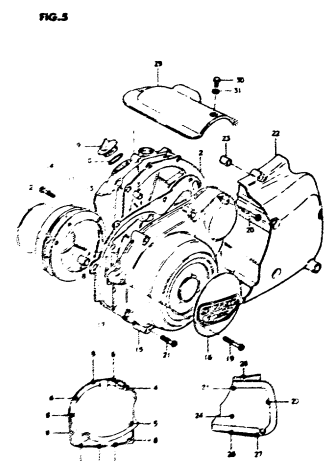
B3



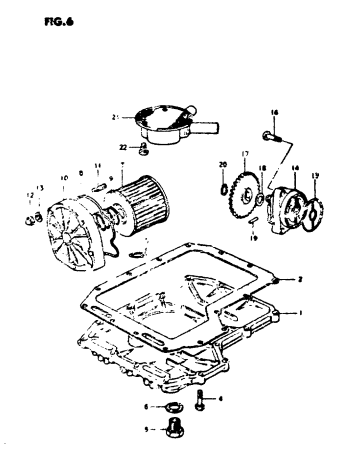
B4



B5



B7



B8

AIR CLEANER	C9	CRANK COVER	B7	FOOTREST	G4	FRONT WHEEL	H6	HOUSING HEADLAMP	F5	REAR CALIPERS	F7	SEAT	G9	STEERING STEM	H3
BATTERY	E6	CRANKCASE	B5	FRAME	G7	FUEL COCK	G8	LEFT HANDLE SW.	H9	REAR COMBL. LAMP	F5	SEAT TAIL COVER	G10	TRANSMISSION	D4
CAM SHAFT	C5	CRANKSHAFT	C2	FRAME COVER	G12	FUEL TANK	G1	MASTER CYLINDER	I8	REAR FENDER	F4	SIGNAL GENERATOR	E5	TURN SIGNAL LAMP	F3
CAM SHAFT	C4	CYLINDER	B4	FRONT BRAKE HOSE	H12	GEAR SHIFTING	D6	MUFFLER	C10	REAR MASTER CYL.	I9	SPEEDO/TACHO.	E7	WIRING HARNESS	F7
CARBURETOR	C6	CYLINDER HEAD	B3	FRONT CALIPERS	H10	GENERATOR	E3	OIL PUMP	B8	REAR SWING ARM	I2	STAND	G3		
CHAIN CASE	I3	CYLINDER HEAD COV'R	B2	FRONT FORK	H4	HANDLEBAR	H7	OPTIONAL	I1	REAR WHEEL	I5	STARTER CLUTCH	C3		
CLUTCH	D2	ELECTRICAL	F6	FRONT MASTER CYL	H11	HEADLAMP	F2	REAR BRAKE HOSE	I10	RIGHT HANDLE SW.	H8	STARTING MOTOR	E2		

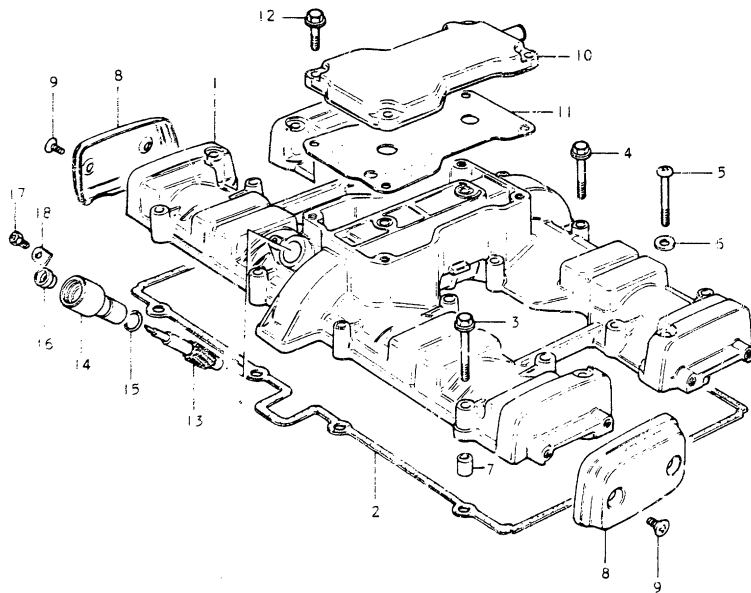
B1

GS1100ET: F No. GS110X - 500001
 GS1100EX: GUTIA B21C3001

FIG. 1

1

FIG. 1 CYLINDER HEAD COVER



Ref. No.	Part No.	Description	Q'ty	Remarks
1	11171-49202	COVER, cylinder head	1	
2-1	11173-49201	GASKET	1	model T
2-2	11173-49203	GASKET	1	model X
3	01517-06408	BOLT	2	
4	01517-06358	BOLT	14	
5	02152-06408	SCREW	4	
6	09168-06009	WASHER	4	
7	09206-08001	PIN	2	
8-1	11174-49201	CAP, cylinder head cover	4	STEEL PLATE
8-2	11174-49210	CAP, cylinder head cover	4	LIGHT ALLOY
9	02132-05127	SCREW	8	
10	11176-49200	COVER, breather	1	
11	11177-49200	GASKET	1	
12	01517-06208	BOLT	4	
13	26431-49200	GEAR, tachometer drive	1	NT:10
14	26441-45000	SLEEVE	1	
15	26451-45000	SEAL BAND	1	
16	09289-05002	OIL SEAL	1	
17	09128-05101	SCREW	1	
18	26449-33000	PLATE	1	

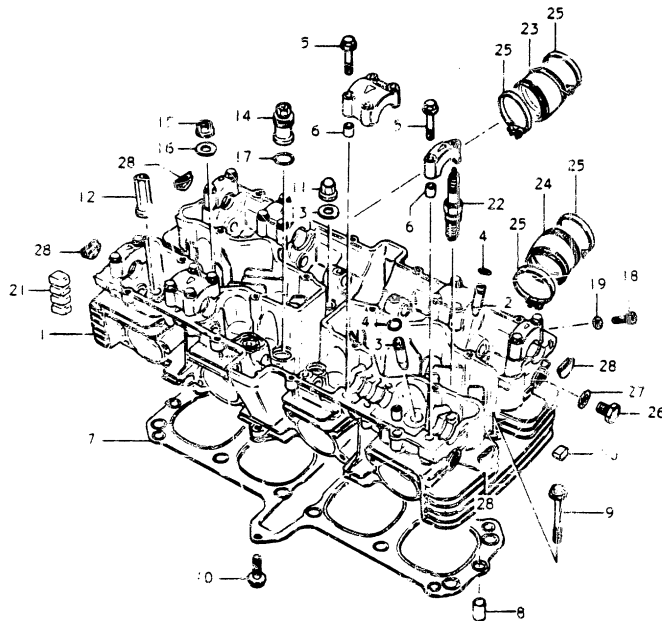
GS1100EX

GS1100EX Revised 1 Apr, '81

B2

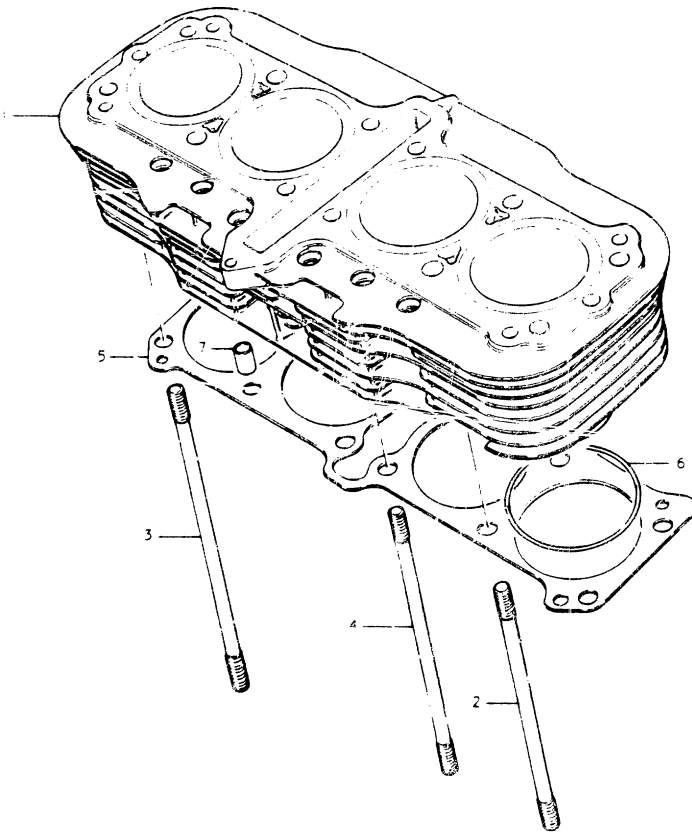
AIR CLEANER	B 9 CRANK COVER	B 7 FOOTREST	G 4 FRONT WHEEL	H 6 HOUSING HEADLAMP	L 5 REAR CALIPERS	M 7 SEAT	N 9 STEERING STEM	R 3
BATTERY	B 8 CRANKCASE	B 5 FRAME	G 2 FUEL COCK	H 8 LEFT HANDLE SW	H 9 REAR COMBI. LAMP	F 5 SEAT TAIL COVER	G 10 TRANSMISSION	B 4
CAM CHAIN	C 5 CRANKSHAFT	C 2 FRAME COVER	G 12 FUEL TANK	G 6 MASTER CYLINDER	I 8 REAR FENDER	E 6 TURN SIGNAL LAMP	E 7 TURN SIGNAL LAMP	F 3
CRANK SHAFT	C 4 CYLINDER	C 4 FRONT BRAKE HOSE	H 12 GEAR SHIFTING	D 6 MUFFLER	C 10 REAR MASTER CYL	I 9 SPEEDO/TACHO	E 7 TURN SIGNAL LAMP	F 7
CRANKCASE	C 6 CYLINDER HEAD	B 3 FRONT CALIPERS	H 10 GENERATOR	F 3 OIL PUMP	B 8 REAR SWING ARM	I 2 STAND	R 3	
CRANK CASE	C 3 CYLINDER HEAD COVER	B 2 FRONT FOLK	H 7 HANDLEBAR	H 7 OPTIONAL	I 11 REAR WHEEL	I 5 STARTER CLUTCH	C 3 GS1100ET F No GS110X 500001	
CLUTCH	D 2 ELECTRICAL	F 6 FRONT MASTER CYL	H 11 HEADLAMP	F 2 REAR BRAKE HOSE	I 10 RIGHT HANDLE SW	H 8 STARTING MOTOR	E 2 GS1100EX G071A B2100001	

Ref. No	Part No.	Description	Qty	Remarks
1-1	11100-49840	CYLINDER HEAD SET	1	model T, X, E. No. 112843
1-2	11100-49841	CYLINDER HEAD SET	1	model T, X, E. No. 112844
2	11115-49290	GUIDE, intake valve	3	
3	11115-49290	GUIDE, exhaust valve	8	
4	09381-10004	RING, valve guide	16	
5	05103-06025	BOLT	24	
6	09206-08001	PIN	11	
7-1	11141-49200	GASKET	1	model T
7-2	11141-49201	GASKET	1	model X
8	04211-11189	PIN	2	
9	01517-06558	BOLT	2	
10	01517-06308	BOLT	1	
11	09159-10026	NUT	2	
12	09159-10029	NUT	4	
13	09168-10017	GASKET	6	
14	11145-49200	SEAL NUT	2	
15	08316-16108	NUT	4	
16	09160-10039	WASHER	4	
17	09280-17002	O RING	2	
18	09106-05006	BOLT, intake port	4	
19	09163-05010	GASKET	4	
20-1	11124-45000	RUBBER PAD	8	
20-2	11151-45000	RUBBER PAD	16	model T, X, E. No. 112843
21	11251-48000	RUBBER PAD	4	model T, X, E. No. 112844
22-1	09482-00144	SPARK PLUG (NGK, D8FA)	4	
22-2	09482-00145	SPARK PLUG (ND, X24F5-U)	4	
23	13111-49200	PIPE, intake RH	2	
24	13121-49200	PIPE, intake LH	2	
25	09402-52306	CLAMP	8	
26	09247-14032	PLUG, cylinder head	4	
27	09168-14004	GASKET	4	
28	09241-23002	PLUG, cylinder head	4	



A/R CLEANFR	C9 CRANK COVER	B7 FOOTREST	G4 FRONT WHEEL	H6 HOUSING HEADLAMP	H5 REAR CALIPERS	I7 SEAT
BATTERY	E6 CRANKCASE	B5 FRAME	G2 FUEL COCK	H9 LEFT HANDLE SW	H9 REAR COMB. LAMP	J6 SEAT TAIL COVER
CAM CHAIN	C5 CRANKSHAFT	C2 FRAME COVER	G12 FUEL TANK	G6 MUFFLER CYLINDER	I8 REAR FENDER	K4 SIGNAL GENERATOR
CARBURETOR	C4 CYLINDER	B4 FRONT BRAKE HOSE	H12 GEAR SHIFTING	D6 MUFFLER	C10 REAR MASTER CYL	I9 SPEED/TACHO
CHAIN CASE	C6 CYLINDER HEAD	B3 FRONT CALIPERS	H10 GENERATOR	C3 OIL PUMP	B8 REAR SWING ARM	I2 STAND
CLUTCH	I3 CYLINDER HEAD COVER	B2 FRONT FORK	H2 HANDLEBAR	H7 OPTIONAL	I11 REAR WHEEL	I5 STARTER CLUTCH
	D2 ELECTRICAL	F6 FRONT MASTER CYL	H11 HEADLAMP	F2 REAR BRAKE HOSE	I10 RIGHT HANDLE SW	E2 STARTING MOTOR
						G3 GS1100ET F No GS110X 500001
						E2 GS1100EX GUTIA 87:00001

Ref. No.	Part No.	Description	Qty	Remarks
1	11210-49200	CYLINDER	1	
2	09108-10027	STUD BOLT (L:131)	4	
3	09108-10028	STUD BOLT (L:168)	6	
4	09108-10030	STUD BOLT (L:141)	2	
5	17241-49200	GASKET	1	
6	09280-74002	O RING	4	
7	09206-13006	PIN	2	



GS1100EX

GS1100EX

AIR CLEANER	C 9 CRANK COVER	B 7 FOOT REST	G 4 FRONT WHEEL	H 6 HOUSING HEADLAMP	M 5 REAR CALIPERS	P 7 SEAT	G 9 STEERING STEM	H 3
BATTERY	E 6 CRANKCASE	B 5 FRAME	G 2 FUEL COCK	G 8 LEFT HANDLE SW	M 9 REAR COMB. LAMP	P 5 SEAT TAIL COVER	G 10 TRANSMISSION	G 4
CAM CHAIN	C 5 CRANKSHAFT	C 2 FRAME COVER	G 12 FUEL TANK	G 6 MASTER CYLINDER	L 8 REAR FENDER	M 4 SIGNAL GENERATOR	E 5 TURN SIGNAL LAMP	F 3
CAM SHAFT	C 4 CRANKSHAFT	B 4 FRONT BRAKE HOSE	H 12 GEAR SHIFTING	D 6 MUFFLER	C 10 REAR MASTER CYL	M 9 SPEEDO/TACHO	E 7 WIRING HARNESS	F 7
CARBURETOR	C 6 CYLINDER HEAD	B 3 FRONT CALIPERS	H 10 GENERATOR	E 3 OIL PUMP	B 8 REAR SWING ARM	M 2 STAND	G 3	
CHAIN CASE	H 3 CYLINDER HEAD COVER	B 2 FRONT FORK	H 2 HANDLEBAR	H 7 OPTIONAL	M 11 REAR WHEEL	M 5 STARTER CLUTCH	C 3 GS1100ET F.No GS110X 500001+	
CLUTCH	D 2 ELECTRICAL	F 6 FRONT MASTER CYL	H 11 HEADLAMP	F 2 REAR BRAKE HOSE	M 10 RIGHT HANDLE SW	M 8 STARTING MOTOR	C 2 GS1100EX GU71A B2100001+	

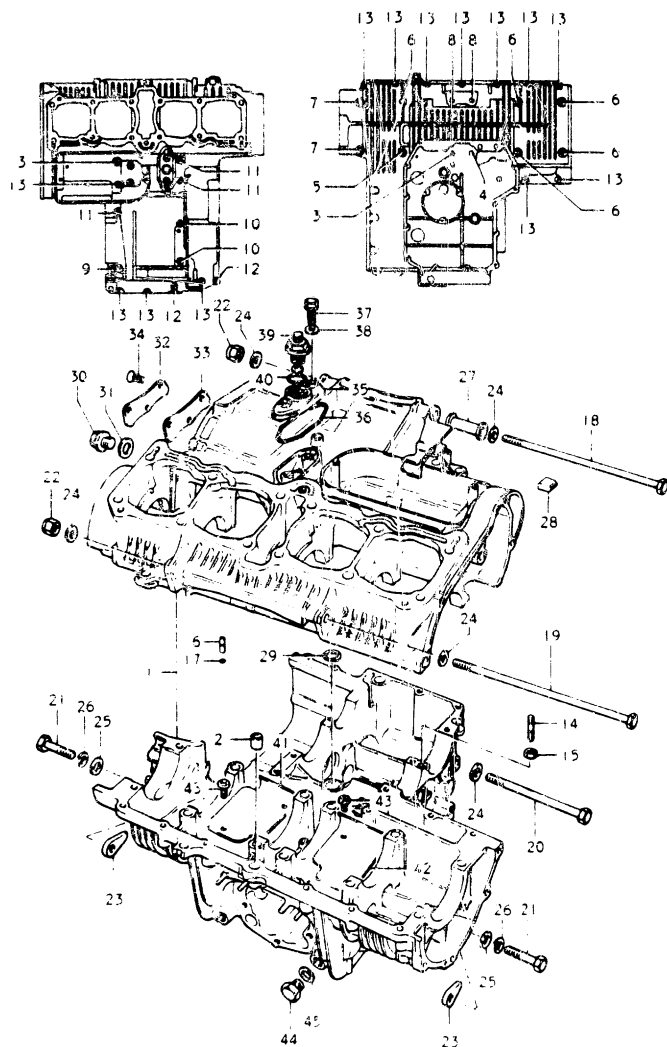
B4

FIG. 4

FIG. 4 CRANKCASE

Q'ty

Remarks



Ref. No.	Part No.	Description	Q'ty	Remarks
1	11300-49820	CRANKCASE SET	1	
2	09206-13001	PIN	2	
3	09103-08039	BOLT (8x155)	1	
4	09103-08020	BOLT (8x125)	1	
5	09103-08009	BOLT (8x100)	1	
6	01517-08908	BOLT (8x90)	5	
7	01517-08658	BOLT (8x65)	2	
8	01517-08608	BOLT (8x60)	2	
9	01517-08508	BOLT (8x50)	1	
10	01517-06858	BOLT (6x85)	2	
11	01517-06758	BOLT (6x75)	3	
12	01517-06558	BOLT (6x55)	2	
13	01517-06408	BOLT (6x40)	14	
14	01421-06358	STUD BOLT	1	
15	08316-16068	NUT	1	
16	09364-05005	NOZZLE, oil gallery	1	
17	09280-03003	O RING	1	
18	09100-10140	BOLT (10x230)	1	
19	09101-10010	BOLT (10x250)	1	
20	09105-10078	BOLT (10x165)	1	
21	01107-10608	BOLT (10x60)	2	
22	09159-10011	NUT	3	
23	09159-10020	NUT	2	
24	08322-11108	WASHER	6	
25	09160-10005	WASHER	2	
26	08321-21108	LOCK WASHER	2	
27	11610-49000	SPACER	1	
28	11252-25000	RUBBER PAD crankcase	1	

GS1100EX

GS1100EX

AIR CLEANER	C9 CRANK COVER	B7 FOOTREST	G4 FRONT WHEEL	H6 HOUSING HEADLAMP	H5 REAR CALIPERS	L7 SEAT	G9 STEERING STEM	H3
BATTERY	E6 CRANKCASE	B5 FRAME	G2 FUEL COCK	G8 LEFT HANDLE SW	H9 REAR COMB. LAMP	F5 SEAT TAIL COVER	G10 TRANSMISSION	O4
CAM CHAIN	C5 CRANK SHAFT	C2 FRAME COVER	G12 FUEL TANK	G6 MASTER CYLINDER	I8 REAR FENDER	I4 SIGNAL GENERATOR	E5 TURN SIGNAL LAMP	F3
CAM SHAFT	C4 CYLINDER	B4 FRONT BRAKE HOSE	H12 GEAR SHIFTING	D6 MUFFLER	C10 REAR MASTER CYL	I9 SPEEDO TACHO	E7 WIRING HARNESS	F1
CARBURETOR	C6 CYLINDER HEAD	B3 FRONT CALIPERS	H10 GENERATOR	E3 OIL PUMP	B U REAR SWING ARM	I2 STAND	G3	
CHAIN CASE	I3 CYLINDER HEAD COVER	B2 FRONT FORK	H2 HANDLEBAR	H7 OPTIONAL	I11 REAR WHEEL	I5 STARTER CLUTCH	C3 GS1100ET	No GS110EX
CLUTCH	D2 ELECTRICAL	F6 FRONT MASTER CYL	H11 HEADLAMP	F2 REAR BRAKE HOSE	I10 RIGHT HANDLE SW	H8 STARTING MOTOR	E2 GS1100EX	Part No B2100001

B5

FIG.5

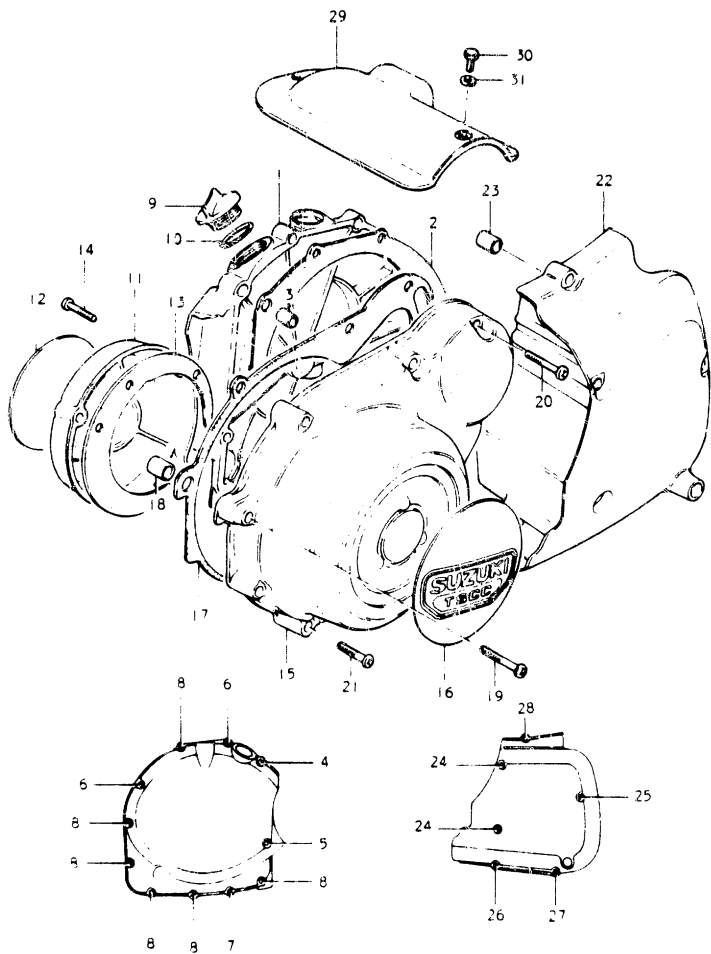


FIG.5 CRANKCASE COVER

Qty

Ref. No.	Part No.	Description	Qty	Remarks
1	11340-49200	COVER, clutch	1	
2	11482-49201	GASKET	1	
3	04211-09129	PIN	2	
4	02112-06408	SCREW (6x40)	1	
5	02112-06358	SCREW (6x35)	1	
6	02112-06308	SCREW (6x30)	2	
7	02112-06258	SCREW (6x25)	1	
8	02112-06208	SCREW (6x20)	6	
9	09259-30001	PLUG, engine oil filler	1	
10	09280-32005	O RING	1	
11-1	11381-49200	COVER, contact breaker	1	model T
11-2	11381-49201	COVER, contact breaker	1	model X
12	68235-49200	EMBLEM	1	
13	11491-49200	GASKET	1	
14	02112-05308	SCREW	3	
15	11351-49200	COVER, generator	1	
16	68233-49200	EMBLEM	1	
17	11483-49200	GASKET	1	
18	09206-13301	PIN	1	
19	02112-06458	SCREW (6x45)	1	
20	02112-06408	SCREW (6x40)	1	
21-1	02112-06358	SCREW (6x35)	7	
21-2	02112-06308	SCREW (6x30)	1	
22	11360-49200	COVER, engine sprocket	1	
23	04211-09129	PIN	1	
24	02112-06958	SCREW (6x95)	2	
25	02112-06158	SCREW (6x85)	1	
26	02112-06708	SCREW (6x70)	1	
27	02112-06557	SCREW (6x55)	1	
28	02112-06308	SCREW (6x30)	1	
29	11382-49002	COVER, starter motor	1	
30	01104-05108	BOLT (5x10)	2	
31	08322-21058	WASHER	2	

GS1100EX

GS1100EX

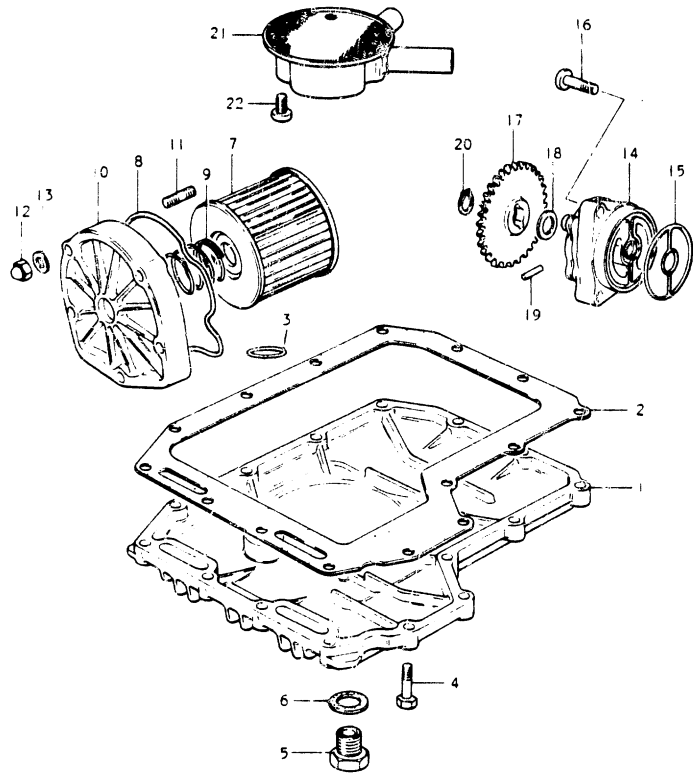
AIR CLEANER	C9 CRANK COVER	B7 FOOTREST	G4 FRONT WHFEL	H6 HOUSING HEADLAMP	H5 REAR CALIPEHS	I7 SEAT	G9 STEERING STEM	H-3
BATTERY	E6 CRANKCASE	B5 FRAME	G2 FUEL COCK	G8 LEFT HANDLE SW	H9 REAR COMBI LAMP	F5 SEAT TAIL COVER	G10 TRANSMISSION	D4
CAM CHAIN	C5 CRANKSHAFT	C2 FRAME COVER	G12 FUEL TANK	G6 MASTER CYLINDER	H8 REAR FENDER	I4 SIGNAL GENERATOR	E5 TURN SIGNAL LAMP	F3
CAM SHAFT	C4 CYLINDER	B4 FRONT BRAKE HOSE	H12 GEAR SHIFTING	D6 MUFFLER	C10 REAR MASTER CYL	I9 SPEEDO TACHO	E7 WIRING HARNESS	F7
CARBURETOR	C6 CYLINDER HEAD	B3 FRONT CALIPEHS	H10 GENERATOR	E3 OIL PUMP	B8 REAR SWING ARM	I2 STAND	G3	
CHAIN CASE	I3 CYLINDER HEAD COVER	B2 FRONT FORK	H2 HANDLEBAR	H7 OPTIONAL	I5 STARTER CLUTCH	C3		
CLUTCH	D2 ELECTRICAL	F6 FRONT MASTER CYL	H11 HEADLAMP	F2 REAR BRAKE HOSE	I1J RIGHT HANDLE SW	H8 STARTING MOTOR	E2	

GS1100E1 F.No GS110X 506001
GS1100EX GUTIA 8210001e

B7

FIG.6

FIG.6 OIL PUMP - OIL FILTER



Ref. No.	Part No.	Description	Q'ty	Remarks
1	11511-49200	PAN, oil	1	
2	11489-49200	GASKET	1	
3	09280-13001	O RING	1	
4	01517-06258	BOLT (6x25)	15	
5	09247-14001	FLUG, oil drain	1	
6	09168-14004	GASKET	1	
7	16510-45040	FILTER, engine oil	1	
8	16518-49200	O RING	1	
9	09440-32004	SPRING	1	
10	16531-49210	CAP	1	
11	01421-06758	STUD BOLT	5	
12	08313-11068	NUT	5	
13	08322-21068	WASHER	5	
14	16400-49210	PUMP, engine oil	1	
15	16491-49200	O RING	1	
16	02112-06258	SCREW	3	
17	16331-49990	GEAR, driven (NT:33)	1	
18	08221-10185	WASHER	1	
19	09261-04009	PIN	1	
20	08331-31109	CIRCLIP	1	
21	16520-49200	STRAINER, engine oil	1	
22	02112-06128	SCREW	3	

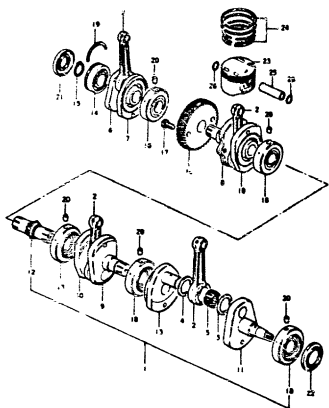
3S1100EX

GS1100EX

AIR CLEANER	C 9	CRANK COVER	B 7	FOOTREST	G 4	FRONT WHEEL	H 6	HOUSING HEADLAMP	M 5	REAR CALIPERS	L 7	SEAT	G 8	STEERING STEM	H 3
BATTERY	E 6	CRANKCASE	B 5	FRAME	G 2	FUEL COCK	G 8	LEFT HANDLE SW	H 9	REAR COMBL LAMP	F 5	SEAT TAIL COVER	G 10	TRANSMISSION	D 4
CAM CHAIN	C 5	CRANKSHAFT	C 2	FRAME COVER	G 12	FUEL TANK	G 6	MASTER CYLINDER	B 9	REAR FENDER	L 4	SIGNAL GENERATOR	E 5	TURN SIGNAL LAMP	F 7
CAM SHAFT	C 4	CYLINDER	B 4	FRONT BRAKE HOSE	H 12	GEAR SHIFTING	D 5	MUFFLER	C 10	REAR MASTER CYL	L 9	SPEEDO/TACHO	E 7	WIRING HARNESS	F 7
CARBURETOR	C 6	CYLINDER HEAD	B 3	FRONT CALIPERS	H 10	GENERATOR	E 3	OIL PUMP	B 8	REAR SWING ARM	L 2	STAND	G 3		
CYLINDER CASE	L 3	CYLINDER HEAD COVER	B 2	FRONT FORK	H 2	HANDLEBAR	H 7	OPTIONAL	L 11	REAR WHEEL	L 5	STARTER CLUTCH	C 3	GS1100EX: F.No.GS110X - 500001s	
CLUTCH	D 2	ELECTRICAL	F 6	FRONT MASTER CYL	H 11	HEADLAMP	F 2	REAR BRAKE HOSE	L 10	RIGHT HANDLE SW	H 8	STARTING MOTOR	E 2	GS1100EX: SU71A B21C3701s	

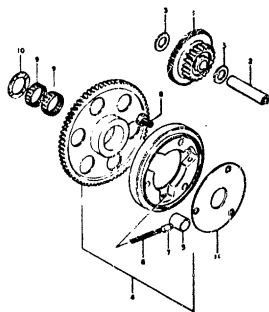
B8

FIG. 7



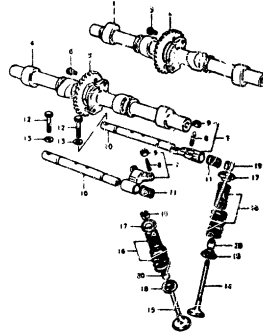
C2

FIG. 8



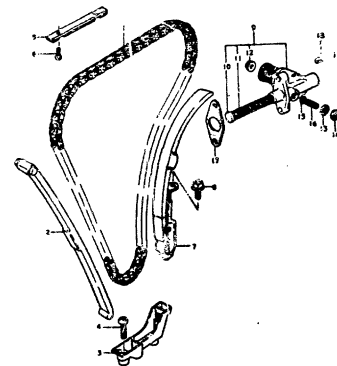
C3

FIG. 9



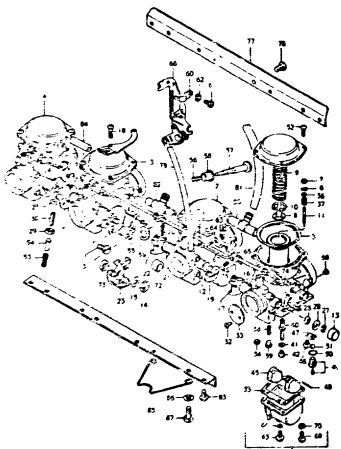
C4

FIG. 10



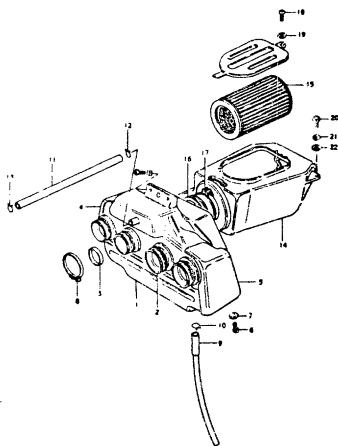
C5

FIG. 11



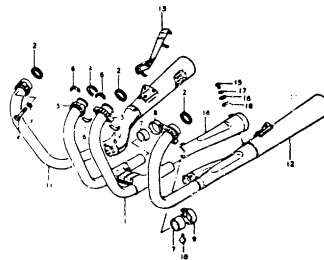
C6

FIG. 12



C9

FIG. 13



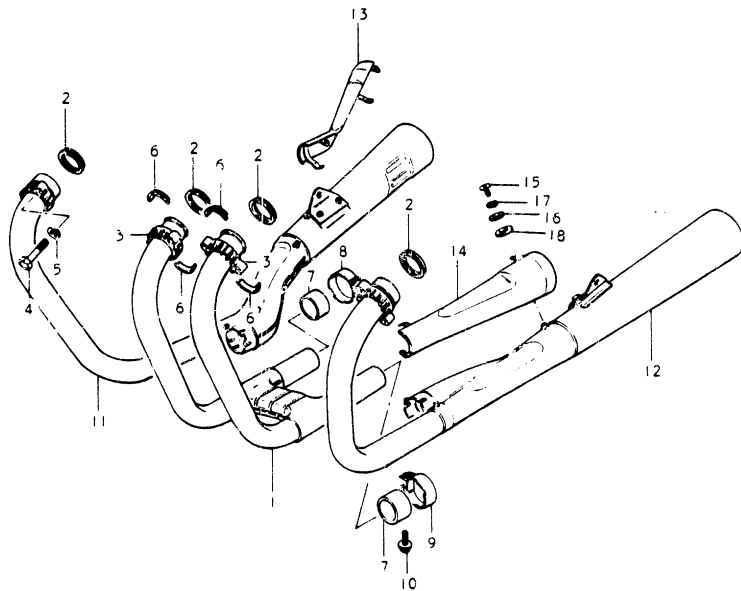
C10

AIR CLEANER C-9	CRANKCASE B-5	FOOTREST G-4	FRONT WHEEL H-6	HOUSING HEADLAMP H-5	REAR CALIPERS I-7	SEAT G-9	STEERING STEM H-3
BATTERY E-6	CRANKSHAFT C-2	FRAME G-2	FUEL COCK G-8	LEFT HANDLE SW. H-9	REAR COMBL. LAMP F-5	SEAT TAIL COVER G-10	TRANSMISSION D-4
CAM CHAIN C-5	CRANKSHAFT C-2	FRAME COVER C-2	FUEL TANK G-12	MASTER CYLINDER I-8	REAR FENDER I-4	SIGNAL GENERATOR E-5	TURN SIGNAL LAMP F-3
CAM SHAFT C-4	CYLINDER B-4	FRONT BRAKE HOSE H-12	GEAR SHIFTING H-12	MUFFLER D-6	REAR MASTER CYL I-9	SPEEDO/TACHO E-7	TURNING HARNESS F-7
CARBURETOR C-6	CYLINDER HEAD B-3	FRONT CALIPERS H-10	GENERATOR H-10	OIL PUMP E-3	REAR SWING ARM I-2	STAND G-3	
CHAIN CASE I-3	CYLINDER HEAD COVER B-2	FRONT FORK H-2	HANDLEBAR H-7	OPTIONAL H-7	REAR WHEEL I-11	STARTER CLUTCH C-3	G-31100E F. No GS110X - 500001e
CLUTCH D-2	ELECTRICAL F-6	FRONT MASTER CYL F-6	HEADLAMP H-11	REAR BRAKE HOSE F-2	RIGHT HANDLE SW. H-8	STARTING MOTOR E-2	GS1100E GU71A B2100001e

C1

FIG. 13

FIG. 13 MUFFLER



Ref. No.	Part No.	Description	Q'ty	Remarks
1	14100-49200	PIPE, exhaust center	1	
2	14181-11010	GASKET	4	
3	14182-49000	CLAMP	2	
4	01107-08358	BOLT	8	
5	08321-21088	LOCK WASHER	8	
6	14155-49000	PLATF, exhaust pipe	4	
7	14771-49001	CONNECTOR, muffler	2	
8	14459-49000	CLAMP, connector RH	1	
9	14469-49000	CLAMP, connector LH	1	
10	01517-08258	BOLT	2	
11	14301-49200	MUFFLER, RH	1	
12	14302-49200	MUFFLER, LH	1	
13-1	14780-49200	COVER, muffler RH (T:0.7)	1	model T
13-2	14780-49201	COVER, muffler RH (T:1.0)	1	model T,X
14-1	14790-49200	COVER, muffler LH (T:0.7)	1	model T
14-2	14790-49201	COVER, muffler LH (T:1.0)	1	model T,X
15	02112-05108	SCREW	8	
16	08322-21058	WASHER	8	
17	08321-21058	LOCK WASHER	8	
18	09168-06005	GASKET	8	

GS1100EX

GS1100EX

AIR CLEANER C-8	CRANK COVER B-7	FOOTREST G-4	FRONT WHEEL H-6	HOUSING HEADLAMP H-5	REAR CALIPERS I-7	SEAT G-9	STEERING STEM H-3
BATTERY E-6	CRANKCASE B-5	FRAME G-5	FUEL COCK G-2	LEFT HANDLE SW G-8	REAR COMBL LAMP H-9	SEAT TAIL COVER F-5	TRANSMISSION D-4
CAM CHAIN C-5	CRANKSHAFT E-2	FRAME COVER G-12	FUEL TANK G-6	MASTER CYLINDER G-6	REAR FENDER I-8	SIGNAL GENERATOR E-5	TURN SIGNAL LAMP F-3
CAM SHAFT C-4	CYLINDER B-4	FRONT BRAKE HOSE H-12	GEAR SHIFTING D-6	MUFFLER G-6	REAR MASTER CYL C-10	SPEEDO/TACHO E-7	WIRING HARNESS F-7
CARBURETOR C-6	CYLINDER HEAD B-3	FRONT CALIPERS H-10	GENERATOR E-3	OIL PUMP E-3	REAR SWING ARM I-2	STAND G-3	
CHAIN CASE I-3	CYLINDER HEAD COVER B-2	FRONT FORK H-2	HANDLEBAR H-7	OPTIONAL H-7	REAR WHEEL I-11	STARTER CLUTCH C-3	GS1100ET: F.No.GS110X - 500001s
CLUTCH D-2	ELECTRICAL F-6	FRONT MASTER CYL H-11	HEADLAMP F-2	REAR BRAKE HOSE I-10	RIGHT HANDLE SW H-8	STARTING MOTOR E-2	GS1100EX: GU71A B2100001s

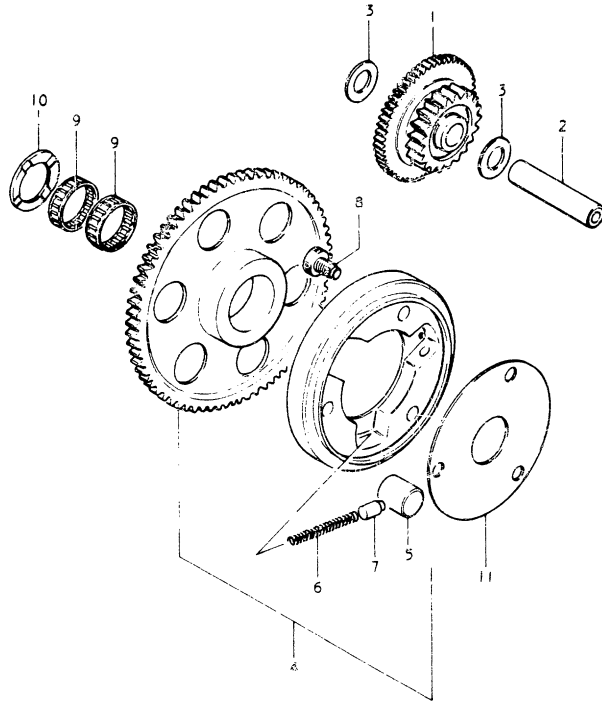
C10

FIG. 8

FIG. 8 STARTER CLUTCH

Q'ty

Ref. No.	Part No.	Description	Q'ty	Remarks
1	12611-49201	GEAR, idle (NT:55,18)		
2	09206-13003	PIN	1	
3	09160-13003	WASHER	2	
4	12600-49822	STARTER CLUTCH SET	1	NT:73
5	09261-15001	ROLLER	3	
6	09440-04015	SPRING	3	
7	12633-31000	PIECE, push	3	
8	09106-08006	BOIT	3	
9	09263-25029	BEARING	2	
10	09160-25015	WASHER	1	
11	12649-49200	SHIM, starter clutch	1	



GS1100EX

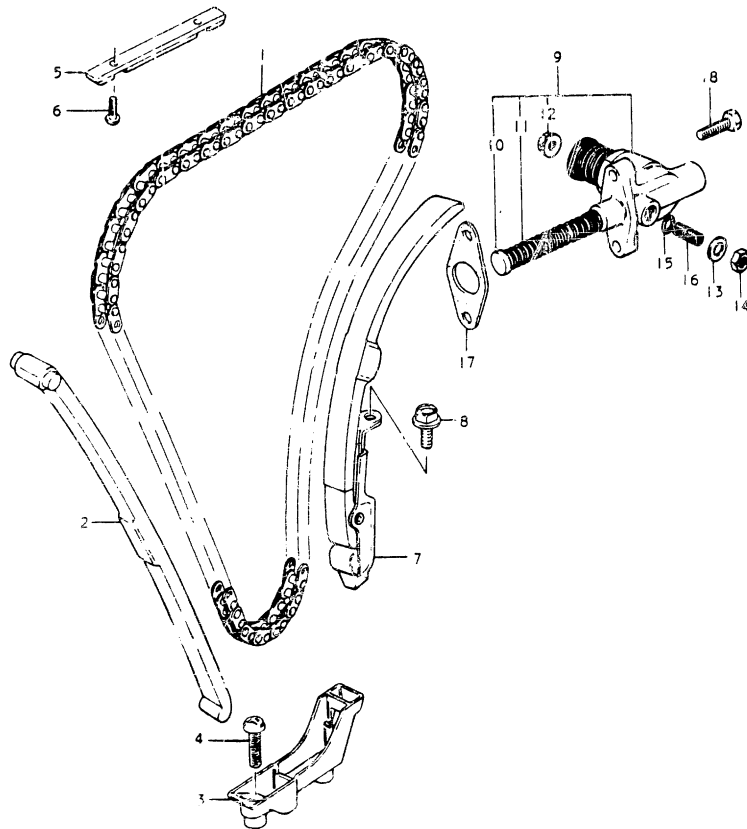
GS1100EX

AIR CLEANER	C 9	CRANK COVER	B 7	FOOTREST	G 4	FRONT WHEEL	H 6	HOUSING HEADLAM	H 5	REAR CALIPERS	I 7	SEAT	G 9	STEERING STEM	H 3
BATTERY	E 6	CRANKCASE	B 5	FRAME	G 2	FUEL COCK	G 8	LEFT HANDLE SW	H 9	REAR COMBI. LAMP	F 5	SEAT TAIL COVER	G 10	TRANSMISSION	D 4
CAM CHAIN	C 5	CRANKSHAFT	C 2	FRAME COVER	G 12	FUEL TANK	G 6	MASTER CYLINDER	I 8	REAR FENDER	I 4	SIGNAL GENERATOR	E 5	TURN SIGNAL LAMP	F 3
CAM SHAFT	C 4	CYLINDER	B 4	FRONT BRAKE HOSE	H 12	GEAR SHIFTING	D 6	MUFFLER	C 10	REAR MASTER CYL	I 9	SPEED/O/TACHO	E 7	WIRING HARNESS	F 1
CARBURETOR	C 6	CYLINDER HEAD	B 3	FRONT CALIPERS	H 10	GENERATOR	E 3	OIL PUMP	B 8	REAR SWING ARM	I 2	STAND	G 3		
CHAIN CASE	I 3	CYLINDER HEAD COVER	B 2	FRONT FORK	H 2	HANDLEBAR	H 7	OPTIONAL	I 11	REAR WHEEL	I 5	STARTER CLUTCH STARTING MOTOR	C 3	GS1100ET F.No.GS110X	500001
CLUTCH	D 2	ELECTRICAL	F 6	FRONT MASTER CYL.	H 11	HEADLAMP	F 2	REAR BRAKE HOSE	I 10	RIGHT HANDLE SW	H 8		E 2	GS1100EX G071A B210001	

C3

FIG. 10

FIG. 10 CAM CHAIN



Ref. No.	Part No.	Description	Qty	Remarks
1	12760-49010	CHAIN, drive (120L)	1	
2	12771-45052	GUIDE, cam chain	1	
3	12776-49000	HOLDER, guide	1	
4	02112-05128	SCREW	2	
5	12782-47040	GUIDE, cam chain	1	
6	02112-05128	SCREW	2	
7	12810-49250	TENSIONER, cam chain	1	
8	01517-08168	BOLT	1	
9	12830-47001	ADJUSTER ASSY, tensioner	1	
10	12833-47001	PUSH ROD	1	
11	09440-12017	SPRING	1	
12	12838-45001	SCREW	1	
13	08322-11088	WASHER	1	
14	08310-12088	NUT	1	
15	09280-06003	O RING	1	
16	09159-06017	NUT	1	
17	12837-47000	GASKET, tensioner	1	
18	09128-06024	BOLT	2	

GS110EX

GS110EX

AIR CLEANER	C9 CRANK COVER	B7 FOOTREST	G4 FRONT WHEEL	M6 HOUSING HEADLAMP	M5 REAR CALIPERS	I7 SEAT	G9 STEERING STEM	H7
BATTERY	E6 CRANKSHAFT	B5 FRAME	G2 FUEL COCK	C8 LEFT HANDLE SW	M9 REAR COMBI LAMP	F5 SEAT TAIL COVER	G10 TRANSMISSION	D4
CAM CHAIN	C5 CRANKSHAFT	C2 FRAME COVER	G12 FUEL TANK	G6 MASTER CYLINDER	D8 REAR FENDER	E5 TURN SIGNAL LAMP	F3	
CAM SHAFT	C4 CYLINDER	B4 FRONT BRAKE NOSE	M12 GEAR SHIFTING	D6 MUFFLER	C10 REAR MASTER CYL	I9 SPEEDO/TACHO	E7 WIRING HARNESS	F7
CARBURETOR	C6 CYLINDER HEAD	B3 FRONT CALIPERS	M10 GENERATOR	F3 OIL PUMP	B8 REAR SWING ARM	I2 STAND	G3	
CHAIN CASE	I3 CYLINDER HEAD COVER	B2 FRONT FORK	H2 HANDLEBAR	H7 OPTIONAL	M11 REAR WHEEL	I5 STARTER CLUTCH	G3	GS110GET F No GS110X 5006012
CLUTCH	G2 ELECTRICAL	F6 FRONT MASTER CYL	M11 HEADLAMP	F2 REAR TAKE HOSE	I10 RIGHT HANDLE SW	H8 STARTING MOTOR	E2	GS1100EX GU71A 821000012

C5

FIG. 11

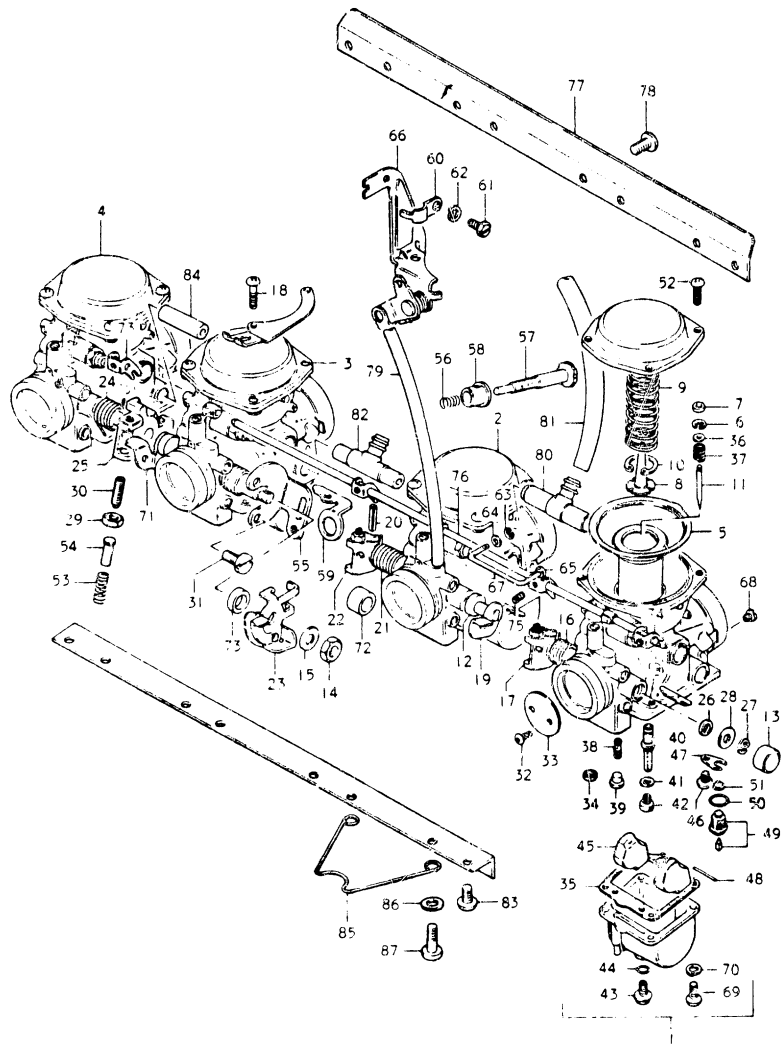


FIG. 11 CARBURETOR

Ref. No.	Part No.	Description	Q'ty	Remarks
	13200-49200	CARBURETOR ASSY	1	
1	13201-49200	CARBURETOR, No.1	1	LH
2	13202-49200	CARBURETOR, No.2	1	ML
3	13203-49200	CARBURETOR, No.3	1	MR
4	13204-49200	CARBURETOR No. 4	1	RH
5	13500-49200	DIAPHRAGM	4	
6	13394-31210	E RING	4	
7	13387-44030	RING	4	
8	13389-44030	GUIDE HOLDER	4	
9	13503-49200	SPRING	4	
10	13581-44030	CLIP	4	
11	13383-49200	NEEDLE, jet (5D58)	4	
12	13557-49200	GASKET	2	ML,MR
13	13578-47070	CAP	2	RH, LH
14	08310-12088	NUT	1	MR
15	13606-47070	WASHER	1	MR
16	13573-47070	SPRING	1	LH
17	13550-49200	SHAFT	1	LH
18	02111-05158	SCREW	3	ML:1,MR:2
19	13550-49210	SHAFT	1	ML
20	13563-47070	PIN	3	LH,ML,RH
21	13573-45110	SPRING	1	ML
22	13553-47070	LEVER	1	ML
23	13555-47070	LEVER	1	MR
24	13573-47080	SPRING	2	MR,RH
25	13550-49220	SHAFT	1	RH
26	13651-51010	SEAT	8	
27	13617-44080	E RING	2	LH,RH
28	13557-47070	GASKET	2	LH,RH
29	13607-47070	NUT	3	LH,ML,RH
30	13605-47080	SCREW	3	LH,ML,RH
31	13605-45110	SCREW	2	MR

GS1100EX

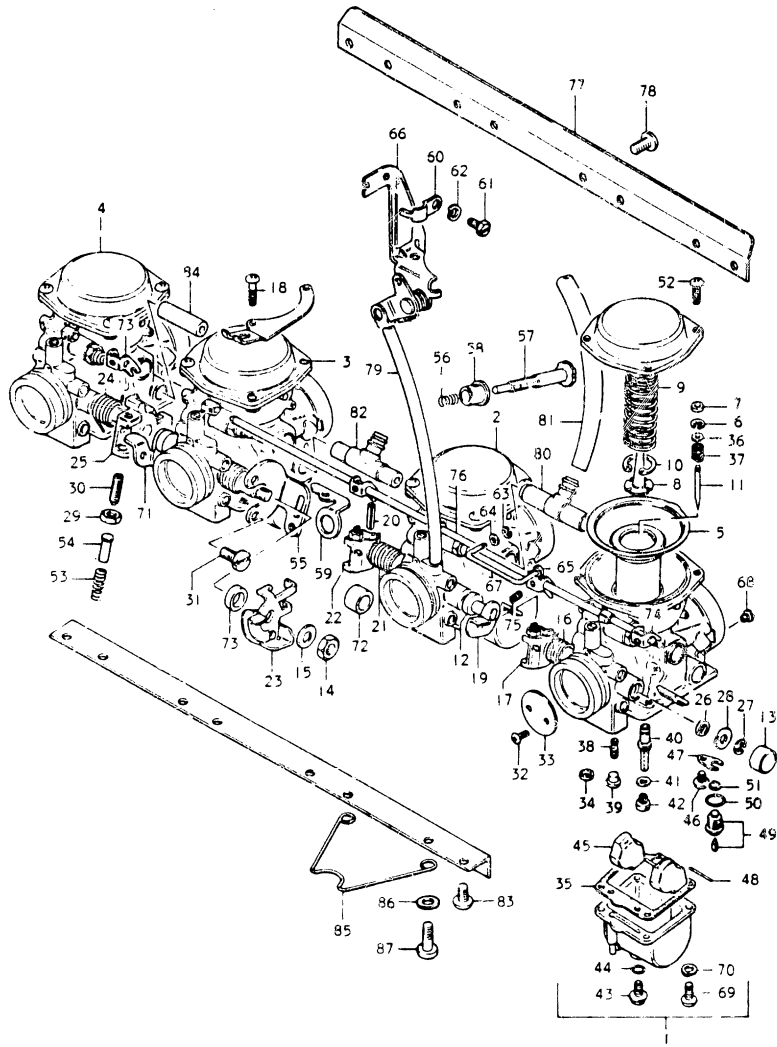
GS1100EX

AIR CLEANER	C8	CRANK COVER	B1	FOOTREST	B5	FRONT WHEEL	G4	HOUSING HEADLAMP	H6	REAR CALIPERS	I7	SEAT	H3
BATTERY	E6	CRANKCASE	B5	FRAME	B5	FUEL COCK	G2	LEFT HANDLE SW	H9	REAR COMBI. TAMP.	F5	SEAT TAIL COVER	D-4
CAM CHAIN	C5	CRANKSHAFT	C2	FRAME COVER	C2	FUEL TANK	G12	MASTER CYLINDER	D6	REAR FENDER	I8	SIGNAL GENERATOR	F3
CAM SHAFT	C4	CYLINDER	B4	FRONT BRAKE HOSE	H12	GEAR SHIFTING	H12	MUFFLER	D8	REAR MASTER CYL.	I9	SPEEDO-TACHO	F7
CARBURETOR	C6	CYLINDER HEAD	B3	FRONT CALIPERS	H10	GENERATOR	H10	OIL PUMP	E3	REAR SWING ARM	I2	STAND	G3
CHAIN CASE	I3	CYLINDER HEAD COVER	B2	FRONT FORK	H2	HANDLEBAR	H7	OPTIONAL	M7	REAR WHEEL	I11	STARTER CLUTCH	C3
CLUTCH	D2	ELECTRICAL	F6	FRONT MASTER CYL.	H11	HEADLAMP	F2	REAR BRAKE HOSE	F2	RIGHT HANDLE SW	I10	STARTING MOTOR	E2

C6

FIG. 11

FIG. 11 CARBURETOR



Ref. No.	Part No.	Description	Q'ty	Remarks
32	13604-44080	••SCREW	8	
33	13551-49200	••VALVE, throttle (135)	4	
34	13258-44080	••GASKET	4	
35	13251-44080	••GASKET	4	
36	13382-44030	••WASHER	4	
37	13388-44030	••SPRING	4	
38	09492-45015	••JET, pilot (45)	4	
39	13351-44080	••PLUG	4	
40	09494-00267	••JET, needle (X-1)	4	
41	13332-44080	••WASHER	4	
42	09491-21014	••JET, main (107.5)	4	
43	13247-44080	••SCREW	4	
44	13246-44080	••O RING	4	
45	13250-44080	••FLOAT	4	
46	02111-04067	••SCREW	4	
47	13373-39110	••PLATE	4	
48	13254-92311	••PIN	4	
49	13370-44080	••VALVE, needle	4	
50	13374-44080	••O RING	4	
51	13376-44080	••FILTER	4	
52	02112-05128	••SCREW	13	LH, RH: 4, ML: 3, MR: 2
53	13268-44010	••SPRING	3	LH, ML, RH
54	13575-47070	••PIN	3	LH, ML, RH
55	13627-45110	••BRACKET	1	MR
56	13271-93011	••SPRING	1	MR
57	13267-47070	••ADJUSTER	1	MR
58	13276-31210	••BUSH	1	MR
59	13627-44090	••BRACKET	1	MR
60	13421-47070	••PLATE	1	ML
61	01104-05108	••BOLT	1	ML
62	08321-21058	••LOCK WASHER	1	ML
63	13415-47070	••E RING	2	ML
64	13523-98010	••WASHER	2	ML
65	13422-47070	••LEVER	1	ML
66	13624-49200	••BRACKET	1	ML
67	13425-45110	••ROD	1	ML

GS1100EX

GS1100EX

C7

AIR CLEANER	C 9	CRANK COVER	B 7	FOOTREST	G 4	FRONT WHEEL	H 6	HOUSING HEADLAMP	H 5	REAR CALIPERS	L 7	SEAT	G 9	STEERING STEM	H 3
BATTERY	E 8	CRANKCASE	B 5	FRAME	G 2	FUEL COCK	G 2	LEFT HANDLE SW	G 8	REAR COMBI. LAMP	F 5	SEAT TAIL COVER	G 10	TRANSMISSION	D 4
CAM CHAIN	C 5	CRANKSHAFT	C 2	FRAME COVER	G 12	FUEL TANK	G 12	MASTER CYLINDER	G 6	REAR FENDER	L 8	SIGNAL GENERATOR	E 5	TURN SIGNAL LAMP	F 3
CARBURETOR	C 4	CYLINDER	B 4	FRONT BRAKE HOSE	H 2	GEAR SHIFTING	H 2	MUFFLER	D 6	REAR MASTER CYL	C 10	SPEEDO/TACHO	E 7	WIRING HARNESS	F 7
CHAIN CASE	I 3	CYLINDER HEAD COVER	B 3	FRONT CALIPERS	H 10	GENERATOR	H 10	OIL PUMP	E 3	REAR SWING ARM	B 8	STAND	G 3		
CLUTCH	D 2	ELECTRICAL	F 6	FRONT FORK	H 7	HANDLEBAR	H 7	REAR WHEEL	L 11	REAR WHEEL	L 10	STARTER CLUTCH	C 3	GS1100ET F No GS110X - 500001+	
				FRONT MASTER CYL.	H 11	HEADLAMP	H 11	RIGHT HANDLE SW	F 2	REAR BRAKE HOSE	H 8	STARTING MOTOR	E 2	GS1100EX GU71A 82100001+	

FIG. 11

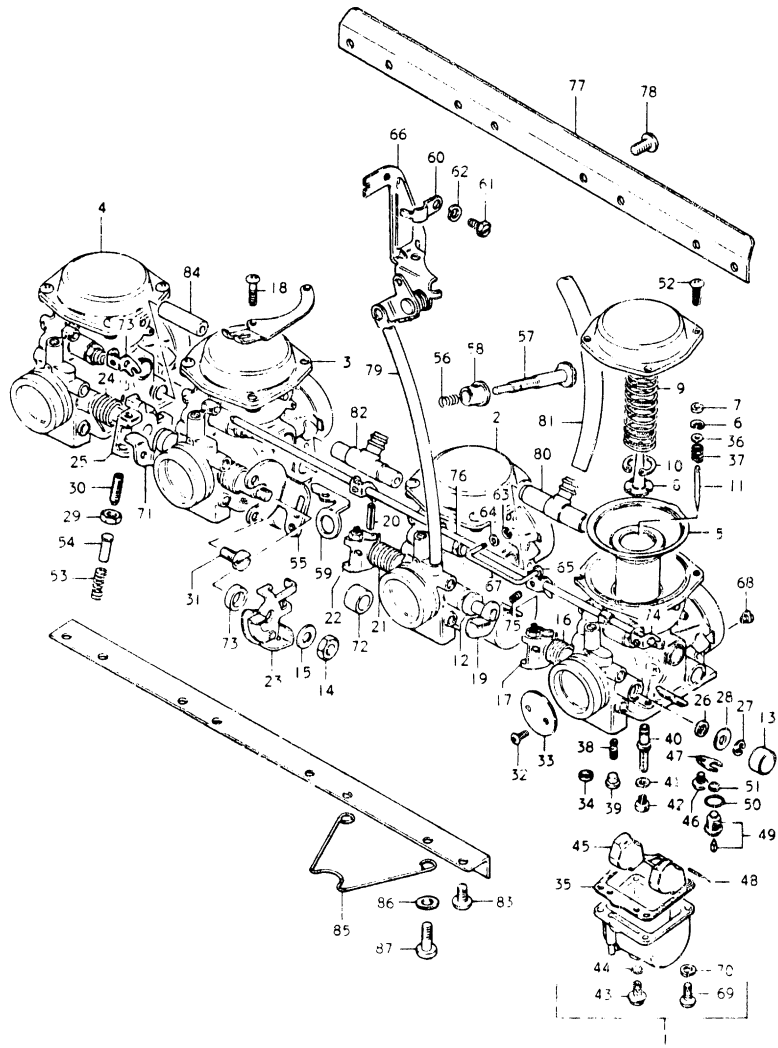


FIG. 11 CARBURETOR

Ref. No.	Part No.	Description	Q'ty	Remarks
68	09493-32002	••JET, pilot air (160)	4	
69	02112-05168	••SCREW	16	
70	08321-21056	••LOCK WASHER	16	
71	13550-49230	••SHAFT	1	MR
72	13574-49200	••RING	1	ML
73	13574-45120	••RING	1	MR
74	13422-44080	•LEVER	3	
75	13605-47070	•SCREW	4	
76	13410-49200	•PLATE	1	
77	13628-49200	•SCREW	1	
78	13605-47090	•SCREW	8	
79	13683-45110	•HOSE	1	
80	13685-47070	•NIPPLE	2	
81	13683-47070	•HOSE	2	
82	13685-49200	•NIPPLE	1	
83	02112-06128	•SCREW	6	
84	13685-4921C	•NIPPLE	2	
85	13619-49200	•CLIP	2	
86	13615-49200	•WASHER	2	
87	02112-06168	•SCREW	2	

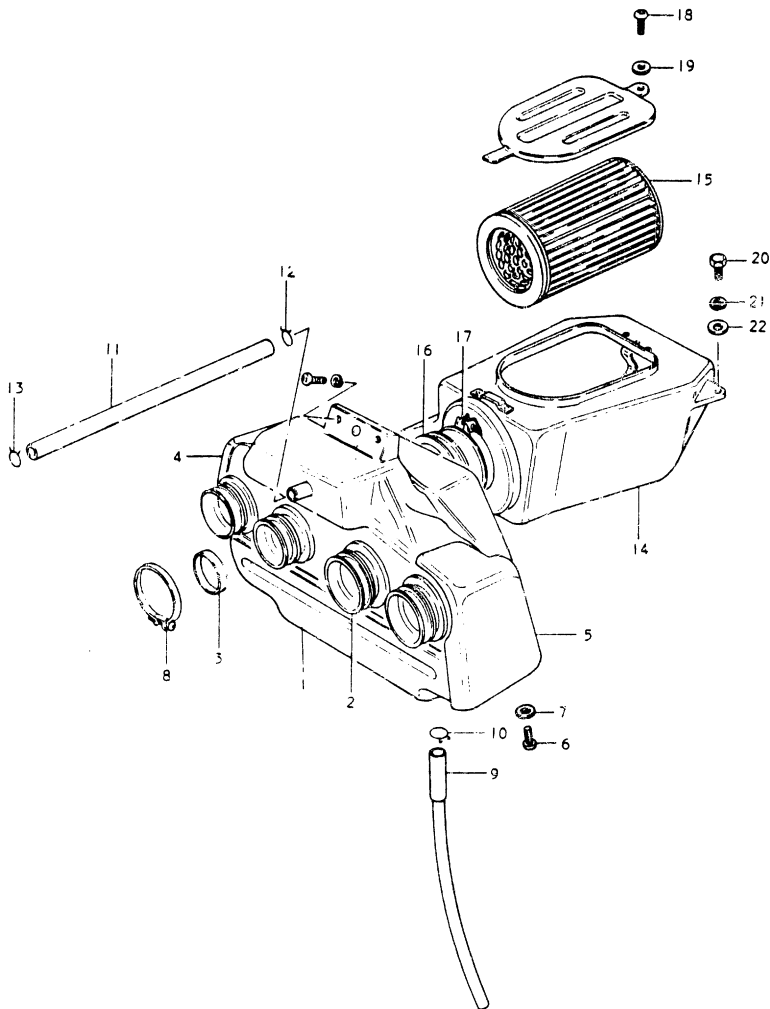
GS1100EX

GS1100EX REVISED 1

AIR CLEANER	C-9	CRANK COVER	B-7	FRONT WHEEL	H-6	HOUSING HEADLAMP	H-5	REAR CALIPERS	I-7	SEAT	H-3
BATTERY	E-6	CRANKCASE	B-9	FUEL COCK	G-2	LEFT HANDLE SW.	H-8	REAR COMBI. LAMP	F-5	SEAT TAIL COVER	D-4
CAM CHAIN	C-5	CRANKSHAFT	C-2	FUEL TANK	G-12	MASTER CYLINDER	G-6	REAR FENDER	I-8	SIGNAL GENERATOR	F-3
CAM SHAFT	C-4	CYLINDER	B-4	FRONT BRAKE HOSE	H-12	GEAR SHIFTING	D-6	REAR MASTER CYL.	I-9	SPEEDO/TACHO	E-5
CARBURETOR	C-6	CYLINDER HEAD	B-3	FRONT CALIPERS	H-10	GENERATOR	E-3	REAR SWING ARM	I-2	STAND	F-7
CHAIN CASE	I-3	CYLINDER HEAD COVER	B-2	FRONT FORK	H-2	HANDLEBAR	H-7	OPTIONAL	I-1	REAR WHEEL	G-3
CLUTCH	D-2	ELECTRICAL	F-6	FRONT MASTER CYL.	H-11	HEADLAMP	F-2	REAR BRAKE HOSE	I-10	RIGHT HANDLE SW.	H-8
										STARTER CLUTCH	C-3
										STARTING MOTOR	E-2
										GS1100ET. E.No.GS110X - 500001+	
										GS1100EX. GU71A B2100001+	

C8

FIG. 12



GS1100EX

FIG. 12 AIR CLEANER

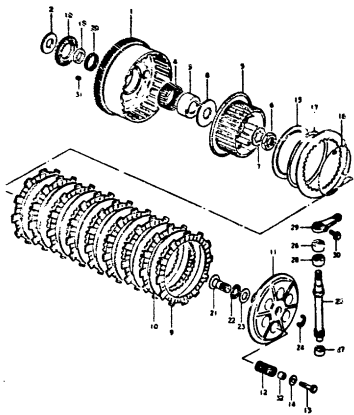
Ref. No.	Part No.	Description	Q'ty	Remarks
1	13710-49200	CASE ASSY, front	1	
2	13881-49200	HOSE, outlet	4	
3	13885-49200	RING	4	
4	13831-49200	COVER, RH	1	
5	13832-49200	COVER, LH	1	
6	02112-05108	SCREW	2	
7	08322-21058	WASHER	2	
8	09402-62306	CLAMP	4	
9	13870-00020	HOSE, drain	1	
10	09401-14301	CLIP	1	
11	09343-11001	HOSE, breather	1	
12	13859-49200	CLIP, No.1	1	
13	09401-14301	CLIP, No.2	1	
14	13700-49810	CASE SET, rear	1	
15	13780-49200	FILTER	1	
16	13801-49200	HOSE, joint	1	
17	09402-70306	CLAMP	2	
18	02112-05126	SCREW	1	
19	08322-21058	WASHER	1	
20	01107-06168	BOLT	3	
21	08321-21058	LOCK WASHER	3	
22	08322-21068	WASHER	3	

GS1100EX

AIR CLEANER	C-9	CRANK COVER	B-7	FOOTREST	G-4	FRONT WHEEL	H-6	HOUSING HEADLAMP	H-5	REAR CALIPERS	I-7	SEAT	G-8	STEERING STEM	H-3
BATTERY	E-6	CRANK CASE	B-5	FRAME	G-2	FUEL COCK	G-8	LEFT HANDLE SW	H-9	REAR COMBI. LAMP	F-5	SEAT TAIL COVER	F-5	TRANSMISSION	D-4
CAM CHAIN	C-5	CRANKSHAFT	C-2	FRAME COVER	G-12	FUEL TANK	G-6	MASTER CYLINDER	I-8	REAR FENDER	L-4	SIGNAL GENERATOR	E-5	TURN SIGNAL LAMP	F-3
CAM SHAFT	C-4	CYLINDER	B-4	FRONT BRAKE HOSE	H-12	GEAR SHIFTING	D-6	MUFFLER	C-10	REAR MASTER CYL	I-9	SPEEDO/TACHO	E-7	WIRING HARNESS	F-7
CARBURETOR	C-6	CYLINDER HEAD	B-3	FRONT CALIPERS	H-10	GENERATOR	E-3	OIL PUMP	B-8	REAR SWING ARM	I-2	STAND	G-3		
CHAIN CASE	I-3	CYLINDER HEAD COVER	B-2	FRONT FORK	H-2	HANDLEBAR	H-7	OPTIONAL	I-11	REAR WHEEL	I-5	STARTER CLUTCH	C-3	GS1100ET: F.No.GS1100X - 500001	
CLUTCH	D-2	ELECTRICAL	F-6	FRONT MAST R CYL	H-11	HEADLAMP	F-2	REAR BRAKE HOSE	I-10	RIGHT HANDLE SW	H-9	STARTING MOTOR	E-2	GS1100EX: GUTIA #2100001	

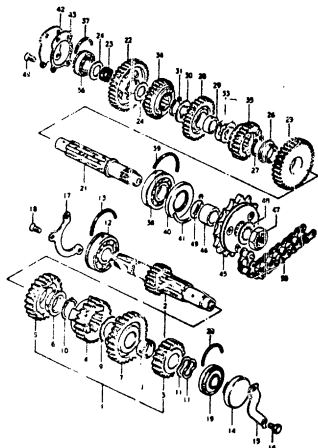
C9

FIG. 14



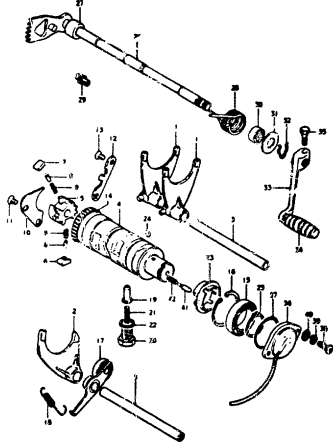
D2

FIG. 15



D4

FIG. 16



D6

AIR CLEANER	C-9	CRANK COVER	B-7	FOOTREST	G-4	FRONT WHEEL	H-6	HOUSING HEADLAMP	H-5	REAR CALIPERS	I-7	SEAT	G-9	STEERING STEM	H-3
BATTERY	E-6	CRANKCASE	B-5	FRAME	G-2	FUEL COCK	G-8	LEFT HANDLE SW	H-9	REAR COMBL. LAMP	F-5	SEAT TAIL COVER	G-10	TRANSMISSION	D-4
CAM CHAIN	C-5	CRANKSHAFT	C-2	FRAME COVER	G-12	FUEL TANK	G-6	MASTER CYLINDER	I-8	REAR FENDER	I-4	SIGNAL GENERATOR	E-5	TURN SIGNAL LAMP	F-3
CAM SHAFT	C-4	CYLINDER	B-4	FRONT BRAKE HOSE	H-12	GEAR SHIFTING	D-6	MUFFLER	C-10	REAR MASTER CYL	I-9	SPEEDO/TACHO	E-7	WIRING HARNESS	F-7
CARBURETOR	C-6	CYLINDER HEAD	B-3	FRONT CALIPERS	H-10	GENERATOR	E-3	OIL PUMP	C-7	REAR SWING ARM	I-2	STAND	G-3		
CHAIN CASE	I-3	CYLINDER HEAD COVER	B-2	FRONT FORK	H-2	HANDLEBAR	H-2	OPTIONAL	H-7	REAR WHEEL	I-5	STARTER CLUTCH	C-3		
CLUTCH	D-2	ELECTRICAL	F-6	FRONT MASTER CYL	H-11	HEADLAMP	F-2	REAR BRAKE HOSE	I-10	RIGHT HANDLE SW	H-8	STARTING MOTOR	E-2		

GS1100ET: F No. GS110X - 50001

GS1100EX: GU7A 821000

D1

FIG. 14

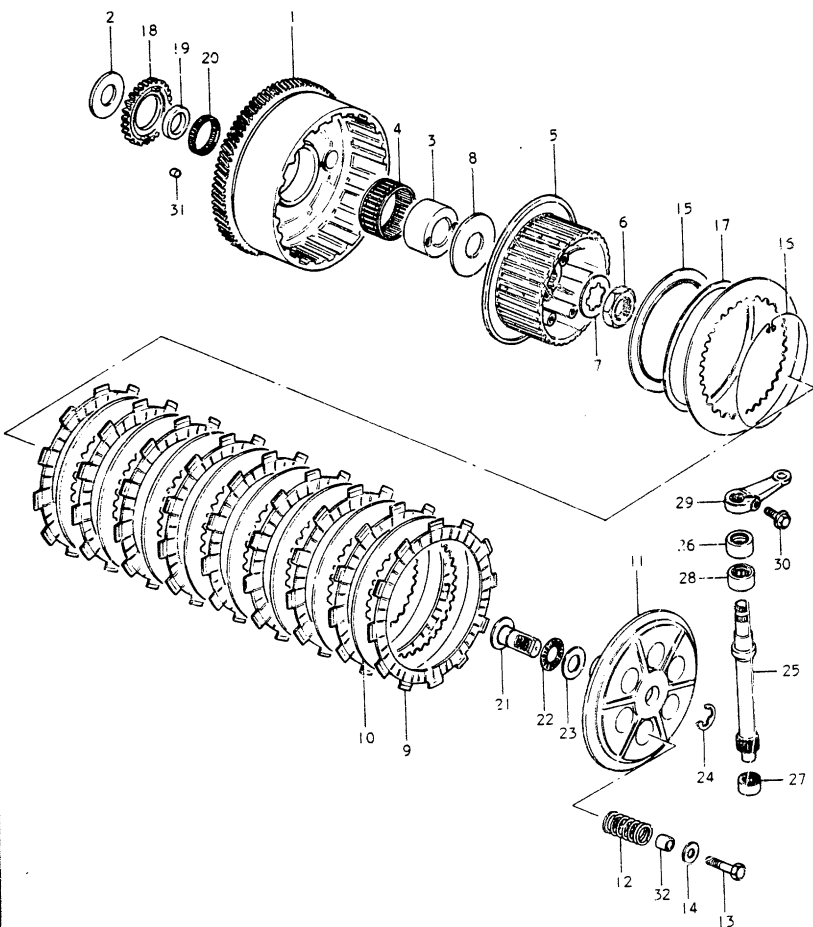


FIG. 14 CLUTCH

Ref. No.	Part No.	Description	Qty	Remarks
1	21200-49201	GEAR, primary driven	1	NT:87
2	09160-25023	WASHER	1	
3	21251-49200	SPACER	1	
4	09263-51001	BEARING	1	
5-1	21411-49201	HUB, sleeve	1	model T, ~E.No.107804
5-2	21411-49202	HUB, sleeve	1	model T E.No.107805~113263
5-3	21411-49203	HUB, sleeve	1	model T, X, E.No.113264~
6	09140-24004	NUT	1	
7	09167-25007	WASHER	1	
8	09160-25022	WASHER	1	
9	21441-49200	PLATE, drive	9	
10	21451-49200	PLATE, driven	9	
11-1	21462-49200	DISK, pressure	1	model T, ~E.No.113263
11-2	21462-49201	DISK, pressure	1	model T, X, E.No.113264~
12	09440-19007	SPRING	6	
13	01107-06308	BOLT	6	
14	09160-06020	WASHER	6	
15-1	21471-49200	SEAT, wave washer	1	model T, ~E.No.111069
15-2	21471-49100	SEAT, wave washer	1	model T, X, E.No.111070~
16	21481-45100	RING, scraper	1	
17	09164-00003	WAVE WASHER	1	
18	16321-49990	GEAR, oil pump drive (NT:34)	1	
19	16325-45001	SPACER	1	
20	09263-36002	BEARING	1	
21	23165-49200	RACK, release	1	
22	09263-15003	BEARING	1	
23	09160-15015	WASHER	1	
24	08332-11128	E RING	1	
25	23261-45400	PINION, release	1	
26	09285-12002	OIL SEAL	1	
27	09263-12014	BEARING	1	
28	09263-15012	BEARING	1	
29	23271-49001	ARM, release	1	
30	01517-06207	BOLT	1	
31	21215-49000	CUSHION	1	
32	09180-06088	SPACER	6	

GS1100EX

GS1100EX

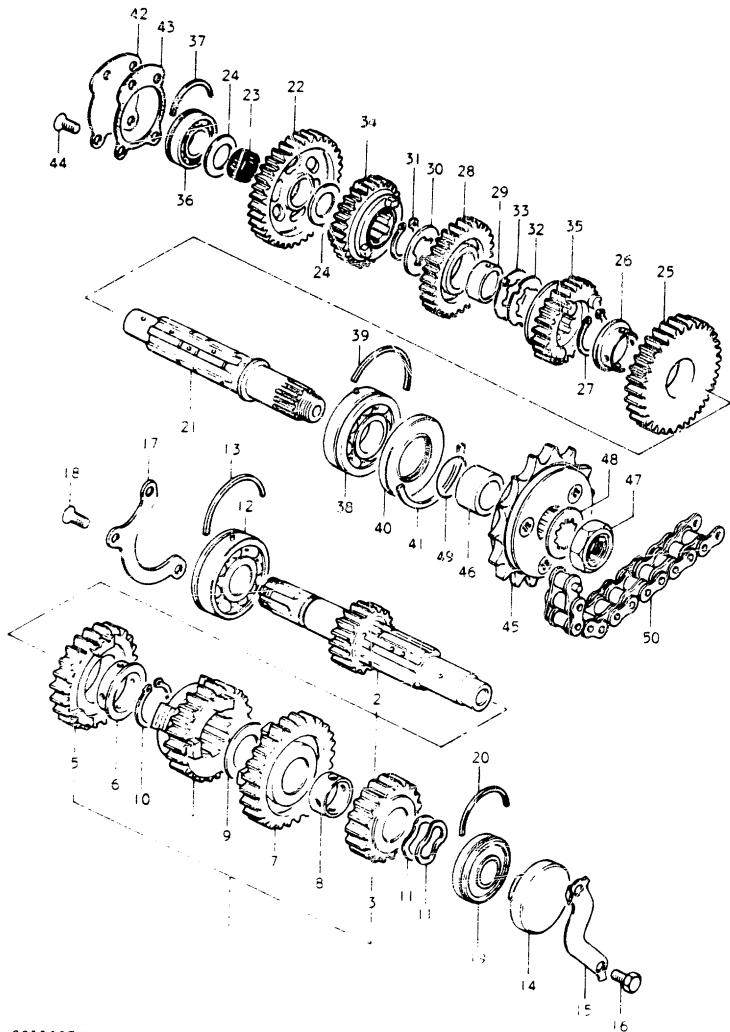
AIR CLEANER	C-9	CHANG COVER	B-7	FOOTREST	G-4	FRONT WHEEL	H-6	HOUSING HEADLAMP	H-5	REAR CALIPECS	L-7	SEAT	H-3
BATTERY	E-6	CRANKCASE	B-5	FRAME	G-2	FUEL COCK	G-8	LEFT HANDLE SW.	H-9	REAR COMBL LAMP	F-5	SEAT TAIL COVER	D-4
CAM CHAIN	C-5	CRANKSHAFT	C-2	FRAME COVER	G-12	FUEL TANK	G-6	MASTER CYLINDER	L-8	REAR FENDER	L-4	SIGNAL GENERATOR	E-5
CAM SHAFT	C-4	CYLINDER	B-4	FRONT BRAKE HOSE	H-12	GEAR SHIFTING	D-6	MUFFLER	C-10	REAR MASTER CYL.	L-9	SPEEDO/TACHO.	F-7
CARBURETOR	C-6	CYLINDER HEAD	B-3	FRONT CALIPECS	H-10	GENERATOR	E-3	OIL PUMP	B-8	REAR SWING ARM	F-2	STAND	G-3
CHAIN CASE	I-3	CYLINDER HEAD COVER	B-2	FRONT FORK	H-2	HANDLEBAR	H-7	OPTIONAL	L-11	REAR WHEEL	L-5	STARTER CLUTCH	C-3
CLUTCH	D-2	ELECTRICAL	F-6	FRONT MASTER CYL.	H-11	HEADLAMP	F-2	REAR BRAKE HOSE	L-10	RIGHT HANDLE SW.	H-8	STARTING MOTOR	E-2

GS1100ET: F.No.GS110X - 500001~
GS1100EX: GU71A B2100001~

D2

FIG. 15

FIG. 15 TRANSMISSION



Q'ty

Ref. No.	Part No.	Description	Q'ty	Remarks
1	24120-49200	COUNTERSHAFT ASSY	1	
2	24100-49820	COUNTERSHAFT (NT:14)	1	
3	24221-49200	GEAR, 2nd drive (NT:18)	1	
4	24231-49200	GEAR, 3rd drive (NT:21)	1	
5	24241-49200	GEAR, 4th drive (NT:24)	1	
6	09301-28001	BUSH	1	
7	24251-49200	GEAR, 5th drive (NT:26)	1	
8	09300-22005	BUSH	1	
9	08211-22321	WASHER	1	
10	08331-11289	CIRCLIP	1	
11	09164-20004	WAVE WASHER	2	
12	09262-25051	BEARING, RH	1	
13	09390-62006	C RING	1	
14	09241-47004	PLUG, countershaft LH	1	
15	23117-45000	HOLDER	1	
16	01107-06128	BOLT	2	
17	24741-45000	HOLDER, bearing	1	
18	02122-06168	SCREW	3	
19	09262-20044	BEARING, LH	1	
20	09390-47003	C RING	1	
21-1	24131-49200	DRIVESHAFT	1	model T
21-2	24131-49201	DRIVESHAFT	1	model X
22	24311-49200	GEAR, 1st driven (NT:35)	1	
23	09262-20018	BEARING	1	
24	08211-20341	WASHER	2	
25	24321-49200	GEAR, 2nd driven (NT:32)	1	
26	09301-28001	BUSH	1	
27	08331-11289	CIRCLIP	1	
28	24331-49200	GEAR, 3rd driven (NT:29)	1	
29	24332-49000	BUSH	1	
30	09167-28001	WASHER, RH	1	
31	08331-11289	CIRCLIP, RH	1	
32	09167-28002	WASHER, LH (T:1.5)	1	
33	09169-28001	WASHER, LH (T:1.0)	1	
34	24341-49200	GEAR, 4th driven (NT:27)	1	
35	24351-49200	GEAR, 5th driven (NT:25)	1	

GS1100EX

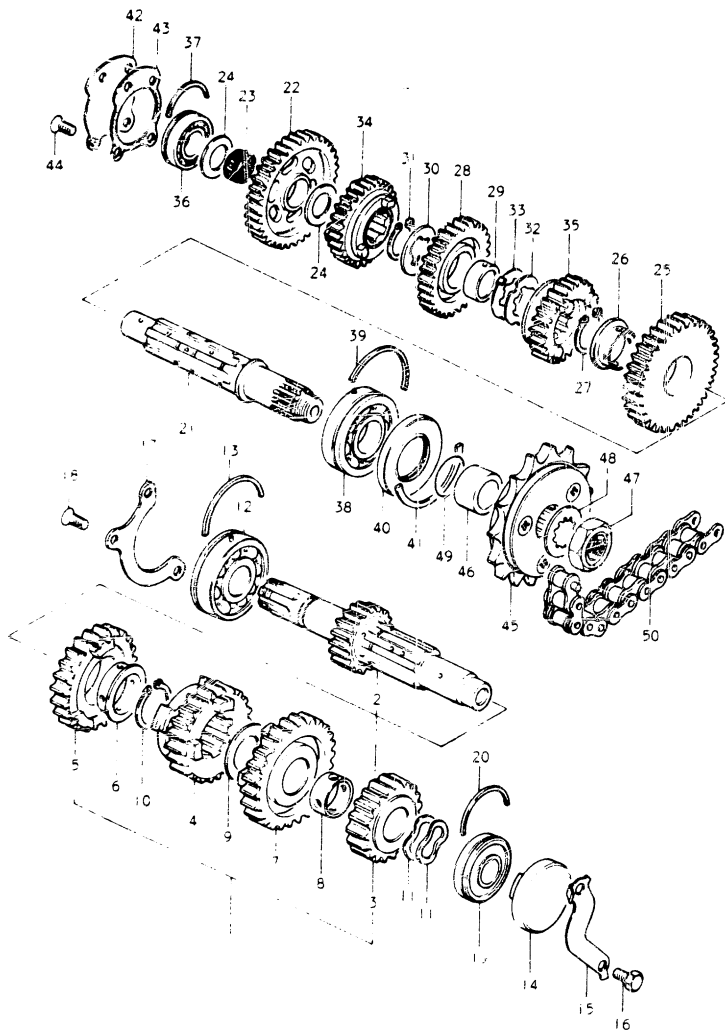
GS1100EX

AIR CLEANER	C-9	CRANK COVER	B-7	FOOTREST	G-4	FRONT WHEEL	H-5	HOUSING HEADLAMP	H-5	REAR CALIPERS	L-7	SEAT	G-9	STEERING STEM	H-3
BATTERY	E-6	CRANKCASE	B-5	FRAME	G-2	FUEL COCK	G-1	REAR COMB. LAMP	H-9	REAR FENDER LAMP	F-5	SEAT TAIL COVER	G-10	TRANSMISSION	G-4
CAM CHAIN	C-5	CRANKSHAFT	C-2	FRAME COVER	G-12	FUEL TANK	G-5	MASTER CYLINDER	D-6	MUFFLER	C-10	REAR MASTER CYL	E-5	TURN SIGNAL LAMP	F-3
CAM SHAFT	C-4	CYLINDER	B-4	FRONT BRAKE HOSE	H-12	GEAR SHIFTING	D-6	MUFFLER	D-6	OIL PUMP	E-3	STARTER CLUTCH	C-3	WIRING HARNESS	F-7
CARBURETOR	C-6	CYLINDER HEAD	B-3	FRONT CALIPERS	H-10	GENERATOR	H-2	OPTIONAL	H-7	REAR WHEEL	L-11	STARTER MOTOR	E-2		
CHAIN CASE	I-3	CYLINDER HEAD COVER	B-2	FRONT FORK	H-2	HANDLEBAR	H-2	REAR BRAKE HOSE	F-2	RIGHT HANDLE SW	L-10				
CLUTCH	D-2	ELECTRICAL	F-6	FRONT MASTER CYL	H-11	HEADLAMP	H-11								

D4

FIG. 15

FIG. 15 TRANSMISSION



Ref. No.	Part No.	Description	Q'ty	Remarks
36	09262-20041	BEARING, RH	1	
37	09390-47003	C RING	1	
38	09262-25051	BEARING, LH	1	
39	09390-62006	C RING	1	
40	09283-32012	OIL SEAL	1	
41	09390-62008	C RING	1	
42	14761-45000	PLATE	1	
43	14762-15000	GASKET	1	
44	12122-06168	SCREW	4	
45	17510-49001	SPROCKET, engine (NT:15)	1	
46	09180-25052	SPACER	1	
47	09159-20001	NUT	1	
48	09167-25014	LOCK WASHER	1	
49	09280-25001	O RING	1	
50	27600-49220	CHAIN, drive	1	

GS1100EX

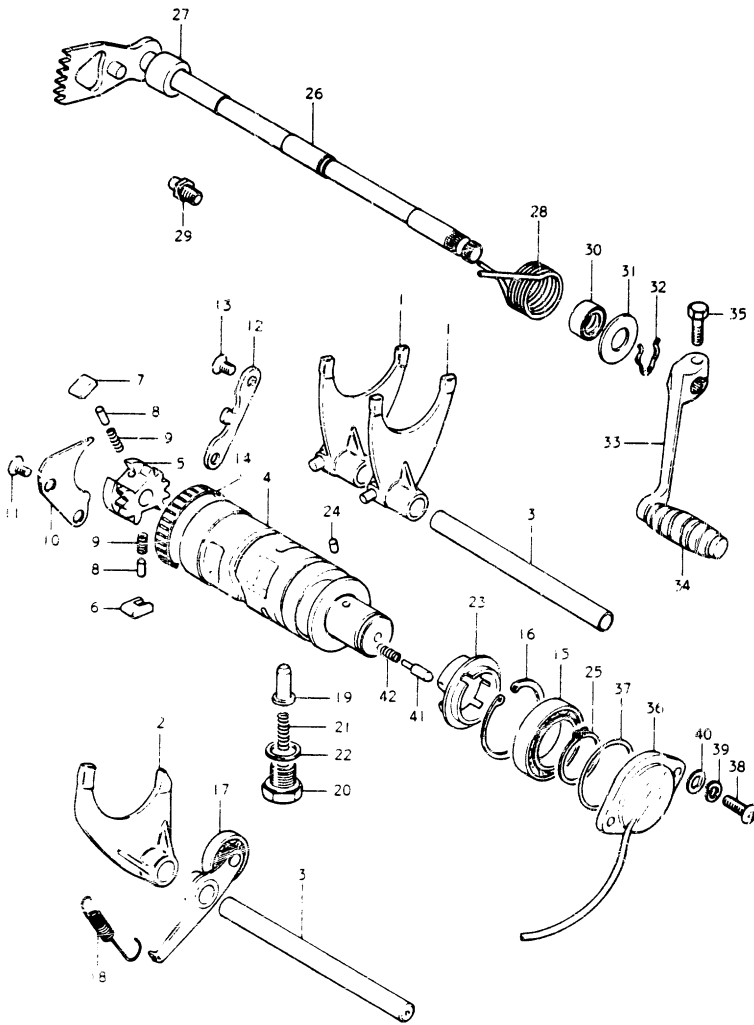
GS 100EX

AIR CLEANER	C-9	CRANK COVER	8-7	FOOTREST	G-4	FRONT WHEEL	H-6	HOUSING HEADLAMP	M-5	REAR CALIPERS	P-7	SEAT	S-3
BATTERY	E-6	CRANKCASE	B-5	FRAME	G-2	FUEL COCK	G-8	LEFT HANDLE SW	H-9	REAR COMBI LAMP	F-5	SEAT TAIL COVER	G-10
CAM CHAIN	C-5	CRANKSHAFT	C-2	FRAME COVER	H-12	FUEL TANK	G-6	MASTER CYLINDER	D-6	MUFFLER	C-10	REAR MASTER CYL	E-5
CAM SHAFT	C-4	CRANKSHAFT	B-4	FRONT BRAKE HOSE	H-12	GEAR SHIFTING	D-6	MUFFLER	C-10	REAR MASTER CYL	E-5	SPEEDO/TACH	F-7
CARBURETOR	C-6	CYLINDER HEAD	B-3	FRONT CALIPERS	H-10	GENERATOR	E-3	OIL PUMP	B-8	REAR SWING ARM	I-2	STAND	G-3
CHAIN CASE	F-3	CYLINDER HEAD COVER	B-2	FRONT FORK	H-2	HANDLEBAR	H-2	HANDLEBAR	H-2	REAR WHEEL	I-5	STARTER CLUTCH	C-3
CLUTCH	D-7	ELECTRICAL	F-6	FRONT MASTER CYL	H-11	HEADLAMP	F-2	REAR BRAKE HOSE	I-10	RIGHT HANDLE SW	H-8	STARTING MOTOR	E-2

D5

GS1100ET F No.GS110X 50:001
GS1100EX GU71A B210001c

FIG. 16



GS1100EX

FIG.16 GEAR SHIFTING

Ref. No.	Part No.	Description	Q'ty	Remarks
1	25211-49200	FORK, shifting	2	
2	25231-49201	FORK, shifting	1	
3	25411-49200	SHAFT, gear shifting fork	2	
4	25310-49200	CAM, gear shifting	1	
5	25322-11000	GEAR, cam driven	1	
6	25323-11000	PAWL, No.1	1	
7	25324-11000	PAWL, No.2	1	
8	09261-05003	PIN	2	
9	09440-04003	SPRING	2	
10	25331-49200	LIFTER, pawl	1	
11	02122-06128	SCREW	2	
12	25341-18000	GUIDE, cam	1	
13	02122-06128	SCREW	2	
14	09263-43001	BEARING, RH	1	
15	08110-69050	BEARING, LH	1	
16	08331-21429	CIRCLIP	1	
17	25350-49200	STOPPER, cam	1	
18	09443-08019	SPRING	1	
19	25351-30010	STOPPER, cam	1	
20	25354-30000	HOLDER, stopper	1	
21	09440-06018	SPRING	1	
22	09168-14004	GASKET	1	
23	25381-49200	PLATE, stopper	1	
24	06211-04063	PIN	1	
25	08331-11258	CIRCLIP	1	
26	25510-45400	SHAFT, gear shifting	1	
27	09180-12068	SPACER	1	
28	09444-26017	SPRING	1	
29	25671-01000	STOPPER, arm	1	
30	09285-12002	OIL SEAL	1	
31	09160-12020	WASHER	1	
32	09384-12001	CIRCLIP	1	

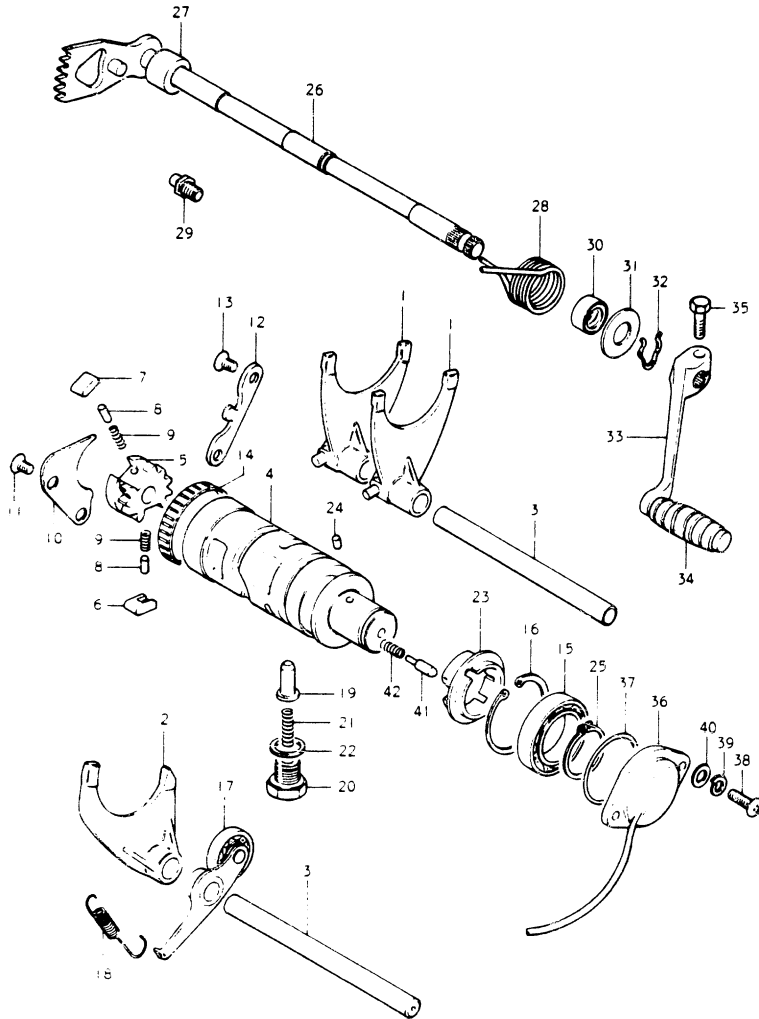
GS1100EX

AIR CLEANER	C9	CRANK COVER	87	FOOTREST	G4	FRONT WHEEL	H6	HOUSING HEADLAMP	H5	REAR CALIPERS	I7	SEAT	H3
BATTERY	E6	CRANKCASE	85	FRAME	G2	FUEL COCK	G8	LEFT HANDLE SW	H9	REAR COMB. LAMP	F5	SEAT TAIL COVER	D4
CAM CHAIN	C5	CRANKSHAFT	C2	FRAME COVER	G12	FUEL TANK	G6	MASTER CYLINDER	I8	REAR FENDER	I4	SIGNAL GENERATOR	E5
CAM SHAFT	C4	CYLINDER	84	FRONT BRAKE HOSE	H12	GEAR SHIFTING	D6	MUFFLER	C10	REAR MASTER CYL	I9	SPEEDO/TACHO	E7
CARBURETOR	C5	CYLINDER HEAD	83	FRONT CALIPERS	H10	GENERATOR	E3	OIL PUMP	B8	REAR SWING ARM	I2	STAND	G3
CHAIN CASE	I3	CYLINDER HEAD COVER	82	FRONT FORK	H2	HANDLEBAR	H7	OPTIONAL	I11	REAR WHEEL	I5	STARTER CLUTCH	C3
CUTCH	D2	ELECTRICAL	F6	FRONT MASTER CYL	H11	HEADLAMP	F2	REAR BRAKE HOSE	I10	RIGHT HANDLE SW	H8	STARTING MOTOR	E2

GS1100EX F.No GS110X 5000912
GS1100EX GUTIA B21000015

D6

FIG. 16



GS1100EX

FIG. 16 GEAR SHIFTING

Ref. No.	Part No.	Description	Q'ty	Remarks
33	25600-49000	LEVER ASSY, shifting	1	
34	25652-16500	COVER	1	
35	01107-08208	BOLT	1	
36	37720-49200	BODY, shifting switch	1	
37	09280-36001	O RING	1	
38	02112-05128	SCREW	2	
39	08321-21058	LOCK WASHER	2	
40	08322-21058	WASHER	2	
41	09209-05011	CONTACT	1	
42	09440-04010	SPRING	1	

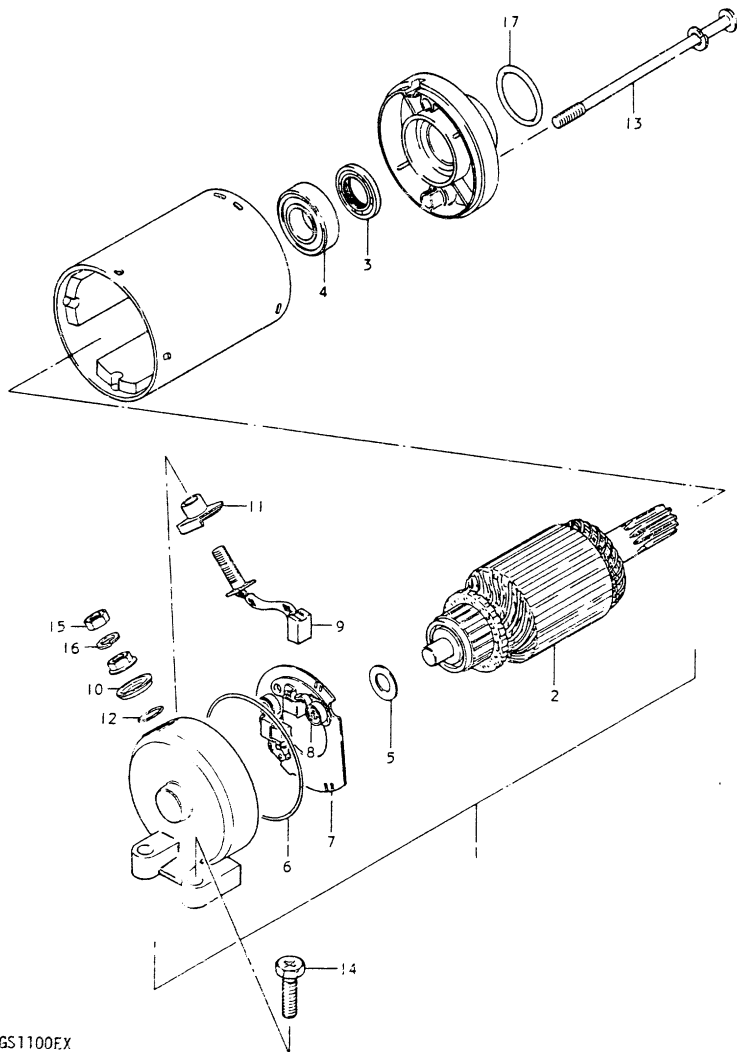
GS1100EX

AIR CLEANER	C-9	CRANK COVER	B-7	FOOTREST	G-4	FRONT WHEEL	H-6	HOUSING HEADLAMP	H-5	REAR CALIPERS	L-7	SEAT	G-9	STEERING STEM	H-3
BATTERY	E-6	CRANKCASE	B-5	FRAME	G-2	FUEL COCK	G-2	FUEL TANK	H-9	REAR COMBL LAMP	F-5	SEAT TAIL COVER	G-10	TRANSMISSION	D-4
CAM CHAIN	C-5	CRANKSHAFT	C-2	FRAME COVER	G-12	FUEL TANK	G-6	MASTER CYLINDER	I-8	REAR FENDER	F-3	SIGNAL GENERATOR	E-5	TURN SIGNAL LAMP	F-7
CAM SHAFT	C-4	CYLINDER	B-4	FRONT BRAKE HOSE	H-12	GEAR SHIFTING	D-6	MUFFLER	E-19	REAR MASTER CYL	I-9	SPEEDO/TACHO	E-7	WIRING HARNESS	F-7
CARBURETOR	C-6	CYLINDER HEAD	B-3	FRONT CALIPERS	H-10	GENERATOR	E-3	OIL PUMP	B-8	REAR SWING ARM	I-2	STAND	G-3		
CHAIN CASE	I-3	CYLINDER HEAD COVER	B-3	FRONT FORK	H-2	HANDLEBAR	H-7	OPTIONAL	I-11	REAR WHEEL	I-5	STARTER CLUTCH	C-3	GS1100ET: F.No.GS110X - 500001	
CLUTCH	D-2	ELECTRICAL	F-6	FRONT MASTER CYL	H-11	HEADLAMP	F-2	REAR BRAKE HOSE	I-10	RIGHT HANDLE SW	H-8	STARTING MOTOR	E-2	GS1100EX: GU71A 02100001	

D7

FIG. 17

FIG. 17 STARTING MOTOR



Ref. No.	Part No.	Description	Q'ty	Remarks
1	31100-49210	MOTOR ASSY, starting	1	
2	31311-49210	ARMATURE	1	
3	31153-49210	OIL SEAL	1	
4	31155-45010	BEARING	1	
5	31361-47010	SHIM	1	
6	31264-44110	O RING	1	
7	31132-44110	BRUSH HOLDER ASSY	1	
8	31135-65010	SPRING	2	
9	31130-44110	BRUSH (+)	1	
10	31172-44110	BUSHING (A)	1	
11	31171-44110	BUSHING (B)	1	
12	31143-44110	O RING	1	
13	31281-44110	SCREW	2	
14	09128-06024	BOLT	2	
15	08310-22068	NUT	1	
16	08321-21068	LOCK WASHER	1	
17	09280-24001	O RING	1	

GS1100EX

GS1100EX

AIR CLEANER . . . C-9	CRANK COVER . . . B-7	FOOTREST . . . G-4	FRONT WHEEL . . . H-6	HOUSING HEADLAMP . . . H-5	REAR CALIPERS . . . I-7	SEAT . . . J-17	STEERING STEM . . . H-3
BATTERY . . . E-6	CRANKCASE . . . B-5	FRAME . . . G-2	FUEL COCK . . . G-8	LEFT HANDLE SW . . . H-9	REAR COMBI LAMP . . . F-5	SEAT TAIL COVER . . . G-10	TRANSMISSION . . . D-4
CAM CHAIN . . . C-5	CRANKSHAFT . . . C-2	FRAME COVER . . . G-12	FUEL TANK . . . G-6	MASTER CYLINDER . . . I-8	REAR FENDER . . . I-4	SIGNAL GENERATOR . . . E-5	TURN SIGNAL LAMP . . . F-3
CAM SHAFT . . . C-4	CYLINDER . . . B-4	FRONT BRAKE HOSE . . . H-12	GEAR SHIFTING . . . D-6	MUFFLER . . . C-10	REAR MASTER CYL . . . I-9	SPEEDO/TACHO . . . E-7	WIRING HARNESS . . . F-7
CARBURETOR . . . C-6	CYLINDER HEAD . . . B-3	FRONT CALIPERS . . . H-10	GENERATOR . . . E-3	OIL PUMP . . . B-8	REAR SWING ARM . . . I-2	STAND . . . G-3	
CHAIN CASE . . . I-3	CYLINDER HEAD COVER . . . B-2	FRONT FORK . . . H-2	HANDLEBAR . . . H-7	OPTIONAL . . . I-11	REAR WHEEL . . . I-5	STARTER CLUTCH . . . C-3	GS1100ET: F.No.GS110X - 500001
CLUTCH . . . D-2	ELECTRICAL . . . F-6	FRONT MASTER CYL . . . H-11	HEADLAMP . . . F-2	REAR BRAKE HOSE . . . I-10	RIGHT HANDLE SW . . . H-8	STARTING MOTOR . . . E-2	GS1100EX: G071A 82100001

E2

Ref. No.	Part No.	Description	Q'ty	Remarks
1	31400-49210	GENERATOR ASSY	1	
2	31401-49210	•STATOR	1	
3	31402-49210	•ROTOR	1	
4	02112-06308	SCREW	3	
5	31792-49200	NUT	1	
6	31497-45000	CLAMP	1	
7	02112-05068	SCREW	1	
8	31498-45000	CLAMP	1	
9	02112-06108	SCREW	1	

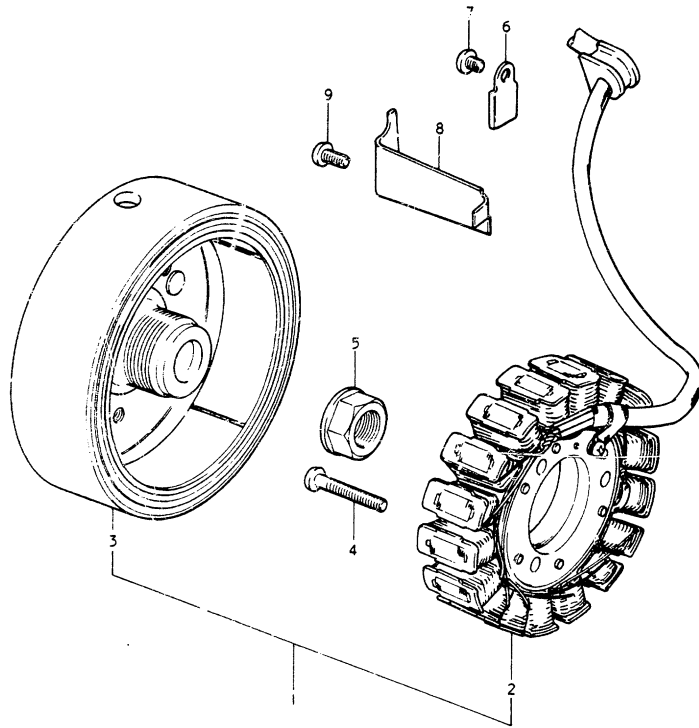


FIG. 19 (E-4) : GS1100EX

GS1100EX

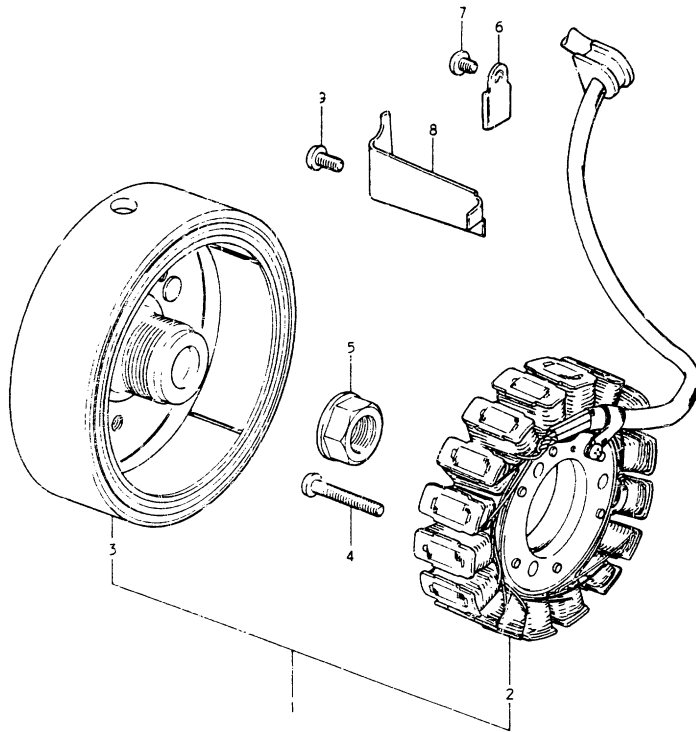
GS1100EX

AIR CLEANER . . . C-9	CRANK COVER . . . B-7	FOOTREST B-4	FRONT WHEEL H-6	HOUSING HEADLAMP . . . H-5	REAR CALIPERS I-7	SEAT G-9	STEERING STEM H-3
BATTERY E-2	CRANKCASE B-5	FRAME G-2	FUEL COCK G-9	LEFT HANDLE SW H-9	REAR COMBI LAMP . . . F-5	SEAT TAIL COVER . . . G-9	TRANSMISSION D-4
CHAIN C-5	CRANKSHAFT C-2	FRAME COVER G-12	FUEL TANK G-6	MASTER CYLINDER . . . B-8	REAR FENDER I-4	SIGNAL GENERATOR . . . E-5	TURN SIGNAL LAMP . . . F-3
CAM SHAFT C-4	CYLINDER B-4	FRONT BRAKE HOSE . . . H-12	GEAR SHIFTING G-8	MUFFLER C-3	REAR MASTER CYL . . . C-10	SPEEDO/TACHO E-7	WIRING HARNESS F-7
CARBURETOR . . . C-6	CYLINDER HEAD . . . B-3	FRONT CALIPERS H-10	GENERATOR C-3	OIL PUMP C-3	REAR SWING ARM . . . I-2	STAND G-3	
CHAIN CASE I-3	CYLINDER HEAD COVER . B-2	FRONT FORK H-2	HANDLEBAR H-7	OPTIONAL I-11	REAR WHEEL I-5	STARTER CLUTCH C-3	GS1100ET: F No.GS110X - 500001
CLUTCH D-2	ELECTRICAL F-6	FRONT MASTER CYL . . . H-11	HEADLAMP F-2	REAR BRAKE HOSE . . . I-10	RIGHT HANDLE SW . . . H-8	STARTING MOTOR E-2	GS110JEX: GU71A, GZ100001

E3

FIG. 19

FIG. 19 GENERATOR (GS1100EX)



Ref. No.	Part No.	Description	Qty	Remarks
1	31400-49310	GENERATOR ASSY	1	
2	31401-49310	·STATOR	1	
3	31402-49310	·ROTOR	1	
4	02112-06308	SCREW	3	
5	31792-49200	NUT	1	
6	31497-45000	CLAMP	1	
7	02112-05068	SCREW	1	
8	31498-45000	CLAMP	1	
9	02112-06108	SCREW	1	

GS1100EX

GS1100EX

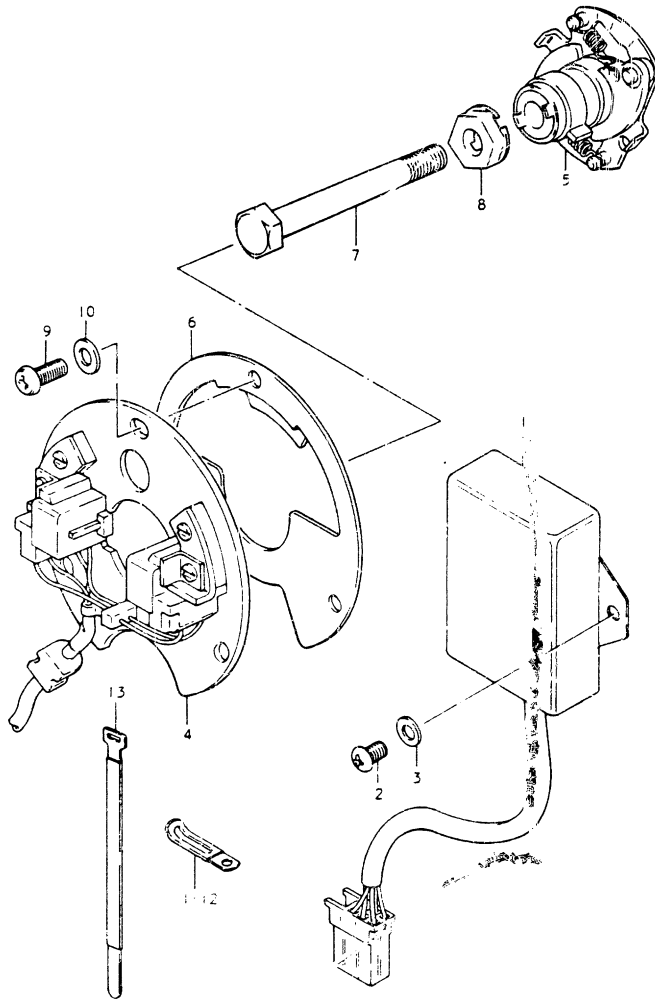
AIR CLEANER C-9	CRANK COVER B-7	FOOTREST G-4	FRONT WHEEL H-6	HOUSING HEADLAMP H-5	REAR CALIPERS I-7	SEAT G-9	STEERING STEM H-3
BATTERY E-6	CRANKCASE B-5	FRAME G-2	FUEL COCK G-2	LEFT HANDLE SW G-8	REAR COMBL LAMP H-9	SEAT TAIL COVER F-5	TRANSMISSION G-10
CAM CHAIN C-5	CRANKSHAFT C-2	FRAME COVER G-12	FUEL TANK G-6	MASTER CYLINDER I-8	REAR FENDER I-4	SIGNAL GENERATOR E-5	TURN SIGNAL LAMP F-3
CAM SHAFT C-4	CYLINDER B-4	FRONT BRAKE HOSE H-12	GEAR SHIFTING D-6	MUFFLER C-10	REAR MASTER CYL I-9	SPEEDO/TACHO E-7	WIRING HARNESS F-7
CARBURETOR C-6	CYLINDER HEAD B-3	FRONT CALIPERS H-10	GENERATOR E-3	OIL PUMP I-5	REAR SWING ARM I-2	STAND G-3	
CHAIN CASE I-3	CYLINDER HEAD COVER B-2	FRONT FORK H-2	HANDLEBAR H-7	OPTIONAL I-11	REAR WHEEL I-5	STARTER CLUTCH C-3	
CLUTCH D-2	ELECTRICAL F-6	FRONT MASTER CYL H-11	HEADLAMP F-2	REAR BRAKE HOSE I-10	RIGHT HANDLE SW H-8	STARTING MOTOR E-2	

GS1100ET: F No. GS110X - 500001
GS1100EX: GUT1A G2190601

E4

FIG. 20

FIG. 20 SIGNAL GENERATOR



Ref. No.	Part No.	Description	Q'ty	Remarks
1	32900-45110	IGNITER UNIT	1	
2	02112-06108	SCREW	2	
3	08322-21068	WASHER	2	
4	33110-45110	SIGNAL GENERATOR ASSY	1	
5	33120-49210	GOVERNOR ASSY, advance	1	
6	33371-45100	PLATE, timing	1	
7	01177-08658	BOLT	1	
8	33465-47000	WASHER	1	
9	09125-05024	SCREW	3	
10	09160-05027	WASHER	3	
11	09404-06401	CLAMP	2	
12	09404-08401	CLAMP	2	
13	09407-18301	CLAMP	1	

GS1100EX

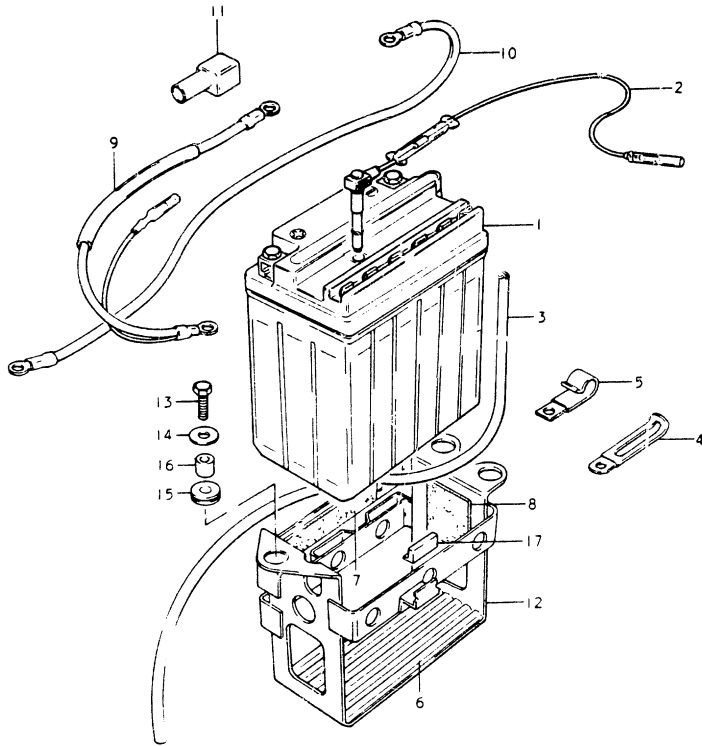
GS1100EX

AIR CLEANER C-9	CRANK COVER B-7	FOOTREST G-4	FRONT WHEEL H-6	HOUSING HEADLAMP H-5	REAR CALIPERS I-7	SEAT G-9	STEERING STEM H-3
BATTERY E-6	CRANKCASE B-5	FRAME G-2	FUEL COCK G-7	LEFT HANDLE SW G-8	REAR COMBI. LAMP M-9	SEAT TAIL COVER G-10	TRANSMISSION D-4
CAM CHAIN C-5	CRANKSHAFT C-2	FRAME COVER G-12	FUEL TANK G-12	MASTER CYLINDER C-10	REAR FENDER I-4	SIGNAL GENERATOR E-5	TURN SIGNAL LAMP F-3
CAM SHAFT C-4	CYLINDER B-4	FRONT BRAKE HOSE H-12	GEAR SHIFTING H-10	GENERATOR E-3	OIL PUMP B-8	REAR SWING ARM I-2	WIRING HARNESS F-7
CARBURETOR C-6	CYLINDER HEAD B-3	FRONT CALIPERS H-3	FRONT FORK H-2	HANDLEBAR H-7	OPTIONAL I-11	REAR WHEEL I-5	STARTER CLUTCH C-3
CHAIN CASE I-3	CYLINDER HEAD COVER B-2	FRONT FORK H-2	HANDLEBAR H-7	OPTIONAL I-11	REAR WHEEL I-5	STARTER CLUTCH C-3	GS1100ET. F.No. GS110X 500001
CLUTCH D-2	ELECTRICAL F-6	FRONT MASTER CYL. F-2	HEADLAMP H-11	REAR BRAKE HOSE F-2	RIGHT HANDLE SW H-8	STARTING MOTOR E-2	GS1100EX. G.U71A B2100001

E5

FIG. 21

FIG. 21 BATTERY



Ref. No.	Part No.	Description	Q'ty	Remarks
1	33610-49230	BATTERY (12V,14AH)	1	
2	33617-49220	SENSOR, battery lever	1	
3	33680-49000	HOSE, battery exhaust	1	
4	09404-06401	CLAMP	1	
5	09403-09303	CLAMP	1	
6	33651-31000	CUSHION	1	
7	33652-49000	PROTECTOR	2	
8	33652-08410	PROTECTOR	2	to 33651-37000 Cut as required profile
9	33820-49000	LEAD WIRE, (+)	1	
10	33850-03201	LEAD WIRE, (-)	1	
11	33624-45000	CAP, terminal	1	
12	41540-49200	HOLDER, battery	1	
13	01107-06168	BOLT	3	
14	09160-06020	WASHER	3	
15	09320-08007	CUSHION	3	
16	09180-06038	SPACER	3	
17	47117-02400	CUSHION	1	

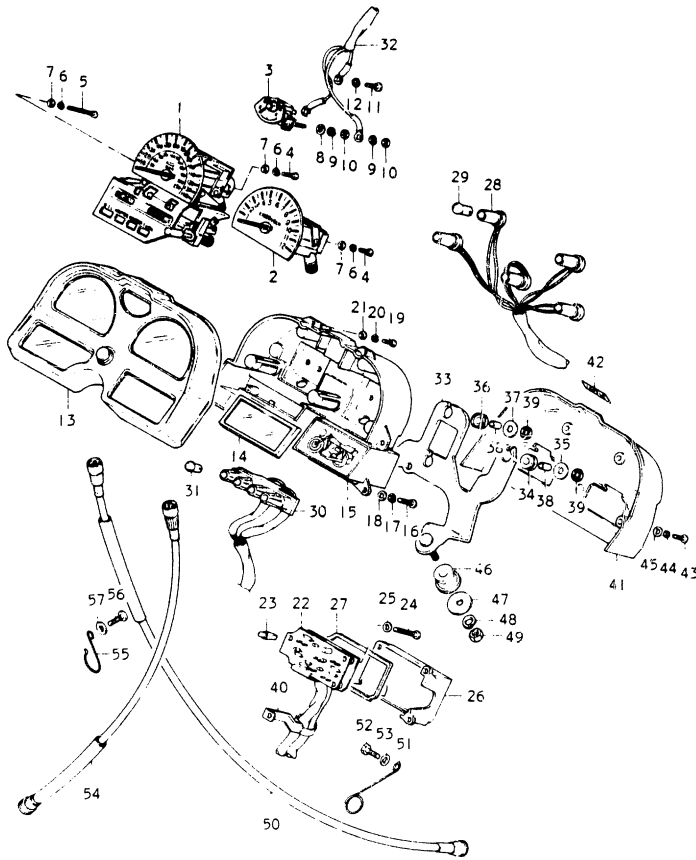
GS1100EX

GS1100EX

AIR CLEANER . . . C-9	CRANK COVER . . . B-7	FOOTREST . . . B-4	FRONT WHEEL . . . H-6	HOUSING HEADLAMP . . . H-5	REAR CALIPERS . . . I-7	SEAT . . . G-9	STEERING STEM . . . H-3
BATTERY . . . E-8	CRANKCASE . . . B-5	FRAME . . . G-2	FUEL COCK . . . G-8	LEFT HANDLE SW . . . H-9	REAR COMBI LAMP . . . H-9	SEAT TAIL COVER . . . G-10	TRANSMISSION . . . D-4
CAM CHAIN . . . C-5	CRANKSHAFT . . . C-2	FRAME COVER . . . G-12	FUEL TANK . . . G-6	MASTER CYLINDER . . . I-8	REAR FENDER . . . I-4	SIGNAL GENERATOR . . . E-5	TURN SIGNAL LAMP . . . F-3
CAM SHAFT . . . C-4	CYLINDER . . . B-4	FRONT BRAKE HOSE . . . H-12	GEAR SHIFTING . . . D-6	MUFFLER . . . C-10	REAR MASTER CYL . . . I-9	SPEEDO/TACHO . . . E-7	WIRING HARNESS . . . F-7
CARBURETOR . . . C-6	CYLINDER HEAD . . . B-3	FRONT CALIPERS . . . H-10	GENERATOR . . . E-3	OIL PUMP . . . B-8	REAR SWING ARM . . . I-2	STAND . . . G-3	
CHAIN CASE . . . I-3	CYLINDER HEAD COVER . . . B-2	FRONT FORK . . . H-2	HANDLEBAR . . . H-7	OPTIONAL . . . H-7	REAR WHEEL . . . I-5	STARTER CLUTCH . . . C-3	
CLUTCH . . . D-2	ELECTRICAL . . . F-6	FRONT MASTER CYL . . . H-11	HEADLAMP . . . F-2	REAR BRAKE HOSE . . . I-10	RIGHT HANDLE SW . . . H-8	STARTING MOTOR . . . E-2	

GS1100ET: F.No.GS110X - 500001s
GS110DEX: GU71A B2100001s

E6



Ref. No.	Part No.	Description	Q'ty	Remarks
1	34120-49230	SPEEDOMETER	1	Mile & Kilo scale
2	34220-49230	TACHOMETER	1	
3	34320-49200	FUEL METER	1	
4	02112-03108	SCREW	4	
5	02112-03258	SCREW	2	
6	08321-21038	LOCK WASHER	6	
7	08322-21038	WASHER	6	
8	08322-21048	WASHER	2	
9	08321-21048	LOCK WASHER	4	
10	08310-22048	NUT	2	
11	02112-03088	SCREW	1	
12	08321-21038	LOCK WASHER	1	
13	34150-49200	HOOD, meter	1	
14	36473-49200	GLASS, check panel	1	
15-1	34111-49200	CASE	1	model T
15-2	34111-49201	CASE	1	model X
16	02112-04128	SCREW	5	
17	08321-21048	LOCK WASHER	5	
18	08322-21048	WASHER	5	
19	02112-03128	SCREW	2	
20	08321-21038	LOCK WASHER	2	
21	08322-21038	WASHER	2	
22	36470-49200	CHECK PANEL UNIT	1	
23	09471-12074	BULB	5	
24	02112-04168	SCREW	3	
25	08321-21048	WASHER	3	
26	34152-49200	LOWER CASE, check panel	1	
27	34153-49200	GASKET	1	
28	34170-49200	SOCKET, meter	1	
29	09471-12001	BULB (12V, 3.4W)	5	
30-1	36323-49200	SOCKET, pilot lamp	1	model T
30-2	36323-49201	SOCKET, pilot lamp	1	model X
31	09471-12001	BULB (12V, 3.4W)	4	
32	34378-49200	LEAD WIRE, fuel meter	1	

GS1100EX

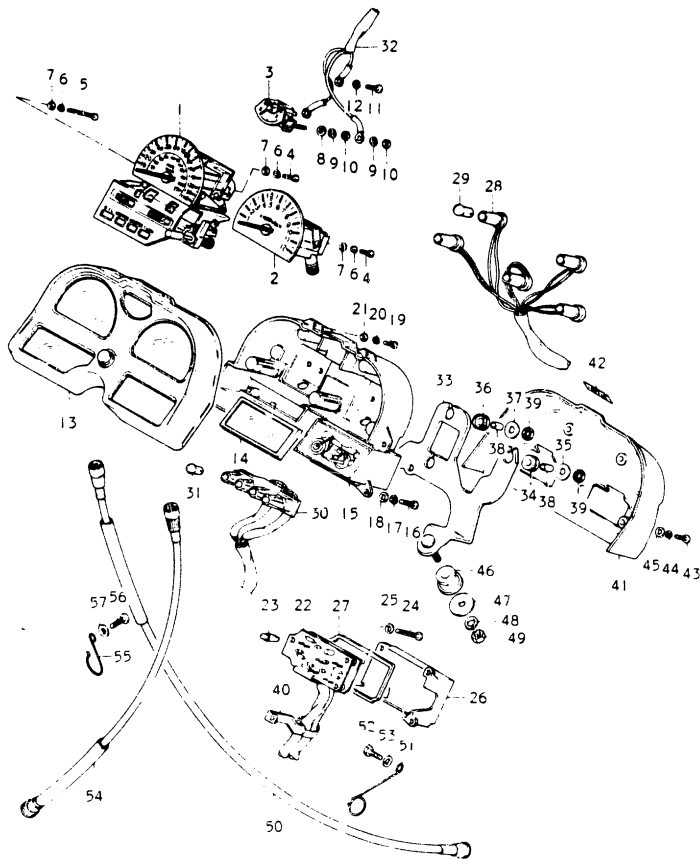
GS1100EX

AIR CLEANER . . . C-9	CRANK COVER . . . B-7	FOOTREST . . . G-4	FRONT WHEEL . . . H-6	HOUSING HEADLAMP . . . H-5	REAR CALIPERS . . . I-7	SEAT . . . G-9	STEERING STEM . . . H-3
BATTERY . . . E-6	CRANKCASE . . . B-5	FRAME . . . G-2	FUEL COCK . . . G-8	LEFT HANDLE SW. . . H-9	REAR COMBL. LAMP . . . F-5	SEAT TAIL COVER . . . G-10	TRANSMISSION . . . D-4
CAM CHAIN . . . C-5	CRANKSHAFT . . . C-2	FRAME COVER . . . G-12	FUEL TANK . . . G-6	MASTER CYLINDER . . . I-8	REAR FENDER . . . I-4	SIGNAL GENERATOR . . . E-5	TURN SIGNAL LAMP . . . F-3
CAM SHAFT . . . C-4	CYLINDER . . . B-4	FRONT BRAKE HOSE . . . H-12	GEAR SHIFTING . . . O-5	MUFFLER . . . C-10	REAR MASTER CYL. . . I-9	SPEEDO/TACHO. . . E-7	WIRING HARNESS . . . F-7
CARBURETOR . . . C-6	CYLINDER HEAD . . . B-3	FRONT CALIPERS . . . H-10	GENERATOR . . . E-3	OIL PUMP . . . C-3	REAR SWING ARM . . . I-2	STAND . . . G-3	
CHAIN CASE . . . I-3	CYLINDER HEAD COVER . . . B-2	FRONT FORK . . . H-2	HANDLEBAR . . . H-7	OPTIONAL . . . I-11	REAR WHEEL . . . I-5	STARTER CLUTCH . . . C-3	
CLUTCH . . . D-2	ELECTRICAL . . . F-6	FRONT MASTER CYL. . . H-11	HEADLAMP . . . F-2	REAR BRAKE HOSE . . . I-10	RIGHT HANDLE SW. . . H-8	STARTING MOTOR . . . E-2	

E7

GS1100ET F.No.GS110X - 500001s
GS1100EX. GU71A B2100001s

FIG. 22



GS1100EX

FIG. 22 SPEEDOMETER - TACHOMETER

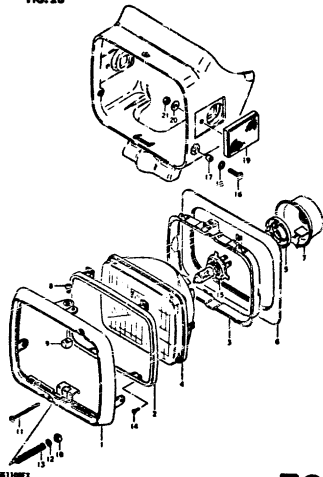
Ref. No.	Part No.	Description	Q'ty	Remarks
33-1	34950-49200	BRACKET	1	model T
33-2	34950-49202	BRACKET	1	model X
34	34955-28010	CUSHION (A)	2	
35	34181-30520	WASHER (A)	2	
36	34189-49200	CUSHION (B)	2	
37	34181-49200	WASHER (B)	2	
38	34187-49200	SPACER	4	
39	08310-11058	NUT	4	
40-1	34954-49200	CLAMP	1	model T
40-2	34954-49201	CLAMP	1	model X
41-1	34193-49200	COVER, lower	1	model T
41-2	34193-49201	COVER, lower	1	model X
42	34157-49200	EMBLEM	1	
43	02112-04128	SCREW	5	
44	08321-21048	LOCK WASHER	5	
45	08322-21048	WASHER	5	
46	34956-31000	CUSHION	2	
47	09160-08002	WASHER	2	
48	08321-21088	LOCK WASHER	2	
49	08310-12088	NUT	2	
50	34910-45410	CABLE, speedometer	1	
51	34938-37000	CLAMP	1	
52	01107-06168	BOLT	1	
53	08322-21068	WASHER	1	
54-1	34940-47030	CABLE, tachometer	1	model T
54-2	34940-47031	CABLE, tachometer	1	model X
55	36619-44000	CLAMP, tachometer	1	
56	02112-06128	SCREW	1	
57	08322-21068	WASHER	1	

GS1100EX

AIR CLEANER C-8	CRANK COVER B-7	FOOTREST G-4	FRONT WHEEL H-6	HOUSING HEADLAMP I-5	REAR CALIPERS L-7	SEAT M-7	STEERING STEM H-3
BATTERY E-6	CRANK CASE B-5	FRAME G-5	FUEL COCK G-2	LEFT HANDLE SW H-3	REAR COMBI. LAMP F-5	SEAT TAIL COVER C-10	TRANSMISSION D-4
CAM CHAIN C-5	CRANKSHAFT C-2	FRAME COVER G-12	FUEL TANK G-6	MASTER CYLINDER I-8	REAR FENDER I-4	SIGNAL GENERATOR E-5	TURN SIGNAL LAMP F-3
CAM SHAFT C-4	CYLINDER B-4	FRONT BRAKE HOSE H-12	GEAR SHIFTING E-6	MUFFLER C-10	REAR MASTER CYL I-9	SPEEDO/TACHO E-7	WIRING HARNESS F-7
CARBURETOR C-6	CYLINDER HEAD B-3	FRONT CALIPERS H-10	GENERATOR E-3	OIL PUMP B-7	REAR SWING ARM I-2	STAND G-3	
CHAIN CASE I-3	CYLINDER HEAD COVER B-2	FRONT FORK H-2	HANDLEBAR H-7	OPTIONAL I-1	REAR WHEEL I-5	STARTER CLUTCH C-3	GS1100ET F.No. GS110X - 500001+
CLUTCH D-2	ELECTRICAL F-6	FRONT MASTER CYL H-11	HEADLAMP F-2	REAR BRAKE HOSE I-10	RIGHT HANDLE SW H-8	STARTING MOTOR E-2	GS1100EX: SU71A B2100001+

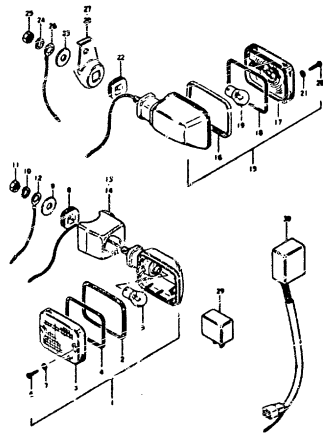
E8

FIG. 23



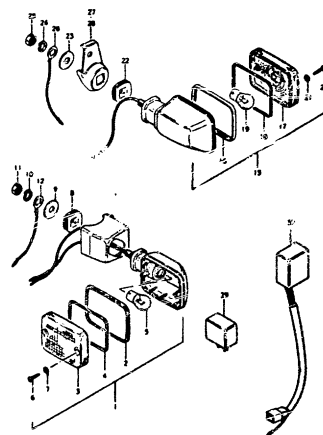
F2

FIG. 24



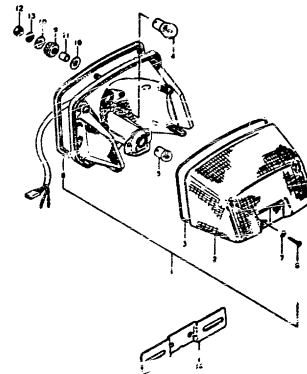
F3

FIG. 25



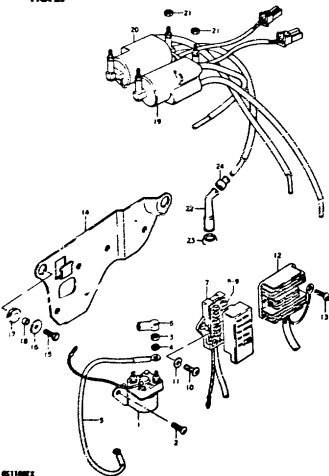
F4

FIG. 26



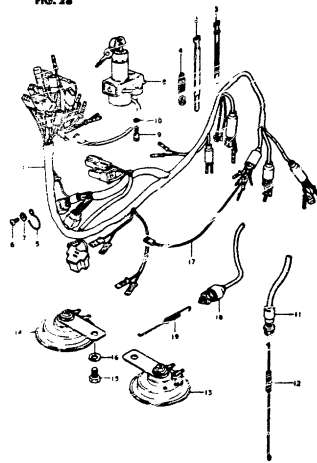
F5

FIG. 27



F6

FIG. 28



F7

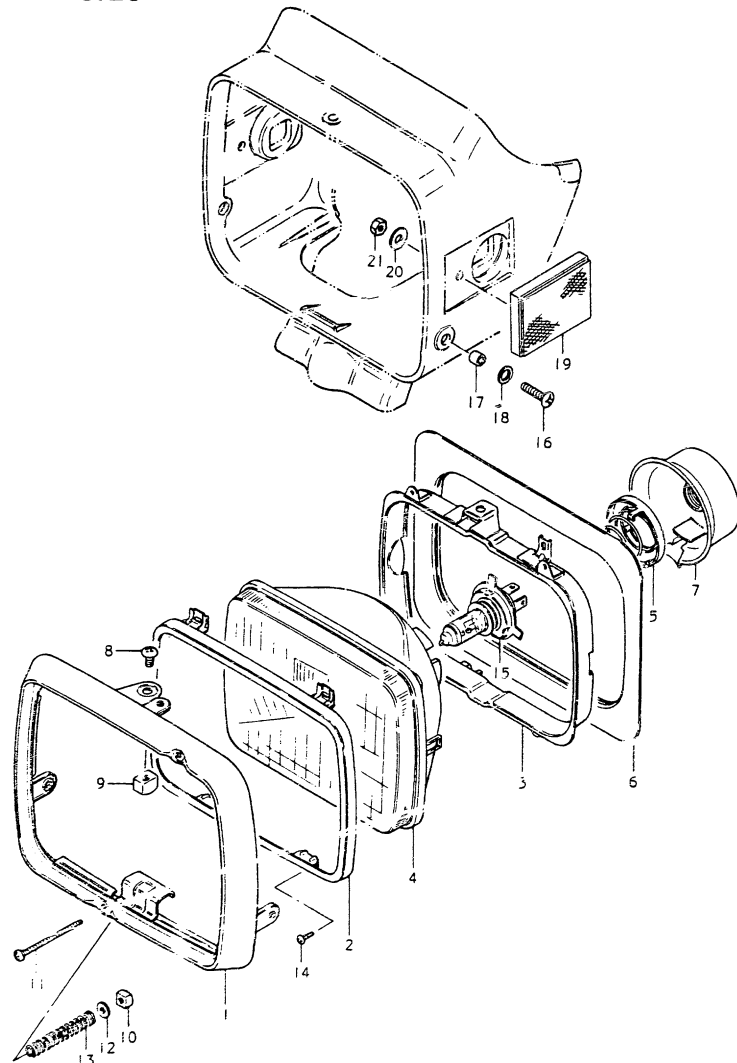
AIR CLEANER	C-9	CRANK COVER	B-7	FOOTREST	G-4	FRONT WHEEL	H-6	HOUSING HEADLAMP	H-5	REAR CALIPERS	I-7	SFA1	G-9	STEERING STEM	H-3
BATTERY	E-6	CRANKCASE	B-5	FRAME	G-2	FUEL COCK	G-8	LEFT HANDLE SW	H-9	REAR COMBL LAMP	F-5	SEAT TAIL COVER	G-10	TRANSMISSION	D-4
CAM CHAIN	C-5	CRANKSHAFT	C-2	FRAME COVER	G-12	FUEL TANK	G-6	MASTER CYLINDER	I-8	REAR FENDER	I-4	SIGNAL GENERATOR	E-5	TURN SIGNAL LAMP	F-3
CAM SHAFT	C-4	CYLINDER	B-4	FRONT BRAKE HOSE	H-12	GEAR SHIFTING	D-6	MUFFLER	B-8	REAR MASTER CYL	I-9	SPEEDO/TACHO	E-7	WIRING HARNESS	F-7
CARBURETOR	C-6	CYLINDER HEAD	B-3	FRONT CALIPERS	H-10	GENERATOR	H-10	OIL PUMP	E-3	REAR SWING ARM	I-2	STAND	G-3		
CHAIN CASE	I-3	CYLINDER HEAD COVER	B-2	FRONT FORK	H-2	HANDLEBAR	H-7	OPTIONAL	I-11	REAR WHEEL	I-5	STARTER CLUTCH	G-3		
CLUTCH	D-2	ELECTRICAL	F-6	FRONT MASTER CYL	H-11	HEADLAMP	F-2	REAR BRAKE HOSE	I-10	RIGHT HANDLE SW	H-8	STARTING MOTOR	E-2		

 GS1100ET, F No GS110X - 500001
 GS1100EX, GUTIA B2100001

F1

FIG. 23

FIG. 23 HEADLAMP



GS1100EX

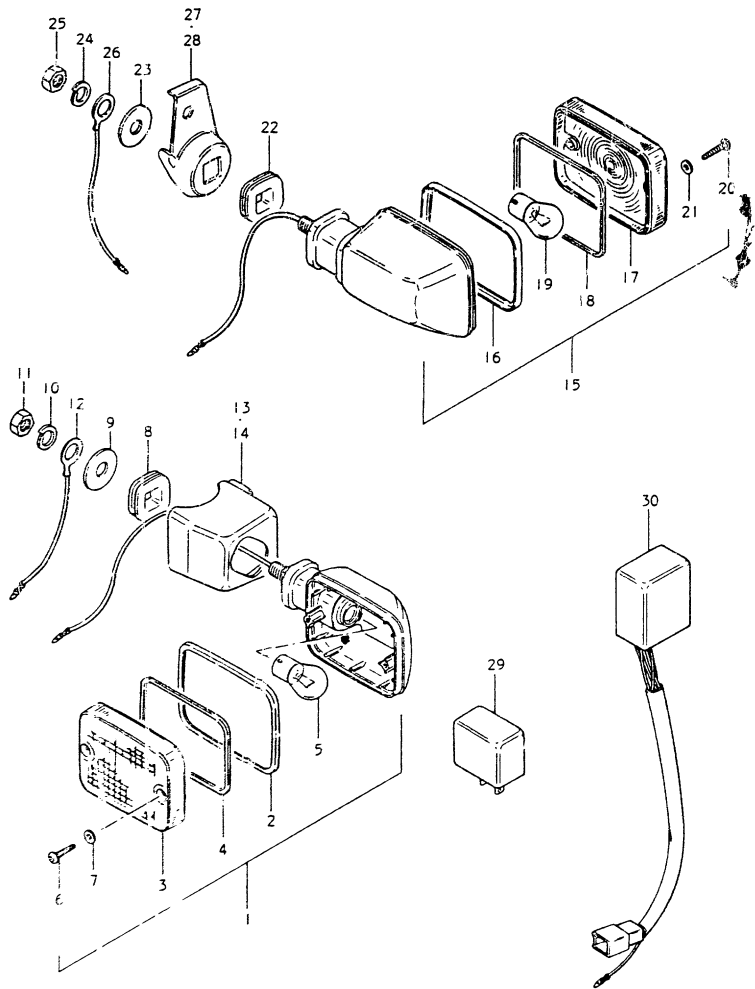
Ref. No.	Part No.	Description	Q'ty	Remarks
	35100-49230-999	HEADLAMP ASSY	1	
1	35111-49200	•RIM	1	
2	35127-49200	•RING	1	
3	35130-49200	•RING, mounting	1	
4	35121-49230	•UNIT	1	
5	35136-49200	•HOLDER, bulb	1	
6	35129-49200	•SHADE	1	
7	35173-49200	•COVER	1	
8	02112-05128	•SCREW	1	
9	35152-49200	•NUT	1	
10	35135-45600	•NUT	2	
11	35151-49200	•SCREW	2	
12	35157-48510	•WASHER	2	
13	35154-49200	•SPRING	2	
14	02112-03088	•SCREW	4	
15	09471-12060	BULB (12V,60/55W,H4)	1	
16	02142-05167	SCREW	3	
17	09180-05012	SPACER	3	
18	09168-08011	WASHER	3	
19	35950-49230	REFLEX REFLECTOR, side	2	
20	00160-05013	WASHER	2	
21	08310-11058	NUT	2	

GS1100EX

AIR CLEANER C-9	CRANK COVER B-7	FOOTREST G-4	FRONT WHEEL H-6	HOUSING HEADLAMP H-5	REAR CALIPERS I-7	SEAT G-9	STEERING STEM H-3
BATTERY E-6	CRANKCASE B-5	FRAME G-2	FUEL COCK G-8	LEFT HANDLE SW H-9	REAR COMBI LAMP F-5	SEAT TAIL COVER G-10	TRANSMISSION D-4
CAM CHAIN C-5	CRANKSHAFT C-2	FRAME COVER G-12	FUEL TANK G-6	MASTER CYLINDER I-8	REAR FENDER I-4	SIGNAL GENERATOR E-5	TURN SIGNAL LAMP F-3
CAM SHAFT C-4	CYLINDER B-4	FRONT BRAKE HOSE H-12	GEAR SHIFTING D-6	MUFFLER C-10	REAR MASTER CYL I-9	SPEEDO/TACHO E-7	WIRING HARNESS F-7
CARBURETOR C-6	CYLINDER HEAD B-3	FRONT CALIPERS H-10	GENERATOR E-3	OIL PUMP H-8	REAR SWING ARM I-2	STAND G-3	
CHAIN CASE I-3	CYLINDER HEAD COVER B-2	FRONT FORK H-2	HANDLEBAR H-7	OPTIONAL I-11	REAR WHEEL I-5	STARTER CLUTCH G-3	GS1100ET: F.No.GS110X - 5000012
CLUTCH D-2	ELECTRICAL F-6	FRONT MASTER CYL H-11	HEADLAMP F-2	REAR BRAKE HOSE I-10	RIGHT HANDLE SW H-8	STARTING MOTOR E-2	GS1100EX: GU71A 821000012

F2

FIG. 24



GS1100EX

FIG.24 TURN SIGNAL LAMP (GS1100ET)

Ref. No.	Part No.	Description	Q'ty	Remarks
1	35601-49230	LAMP, front turn signal	2	
2	35611-49230	-RIM	2	
3	35612-49230	-LENS	2	
4	35613-49230	-GASKET	2	
5	09471-12006	-BULB (12V,23W)	2	
6	03211-C4208	-SCREW	4	
7	35627-43010	-GASKET	4	
8	09320-15002	CUSHION	2	
9	09160-10006	WASHER	2	
10	08321-21108	LOCK WASHER	2	
11	08310-12108	NUT	2	
12	36851-49000	LEAD WIRE, earth	2	
13	35697-49200	COVER, RH	1	
14	35698-49200	COVER, LH	1	
15	35601-44130	LAMP, rear turn signal	2	
16	35611-49230	-RIM	2	
17	35612-49230	-LENS	2	
18	35613-49230	-GASKET	2	
19	09471-12006	-BULB (12V,23W)	2	
20	03211-04208	-SCREW	4	
21	35627-43010	-GASKET	4	
22	09320-15002	CUSHION	2	
23	09160-10006	WASHER	2	
24	08321-21108	LOCK WASHER	2	
25	08310-12108	NUT	2	
26	36660-33000	LEAD WIRE, earth	2	
27	35620-49200	BRACKET, rear RH	1	
28	35640-49200	BRACKET, rear LH	1	
29	38610-49230	RELAY, turn signal	1	
30	38830-49200	CONTROL UNIT, turn signal	1	

FIG.25 (F-4) : GS1100EX

GS1100EX

AIR CLEANER	C-9	CRANK COVER	B-7	FOOTREST	G-4	FRONT WHEEL	H-5	HOUSING HEADLAMP	H-5	REAR CALIPERS	I-7	SEAT	G-9	STEERING STEM	H-3
BATTERY	E-6	CRANKCASE	B-5	FRAME	G-2	FUEL COCK	G-2	LEFT HANDLE SW.	H-9	REAR COMBI. LAMP	F-5	SEAT TAIL COVER	G-10	TRANSMISSION	D-4
CAM CHAIN	C-5	CRANKSHAFT	C-2	FRAME COVER	G-12	FUEL TANK	G-6	MASTER CYLINDER	I-8	REAR FENDER	I-4	SIGNAL GENERATOR	E-5	TURN SIGNAL LAMP	F-3
CAM SHAFT	C-4	CYLINDER	B-4	FRONT BRAKE HOSE	H-12	GEAR SHIFTING	D-6	MUFFLER	D-6	REAR MASTER CYL.	I-9	SPEED/TACHO.	E-7	WIRING HARNESS	F-7
CARBURETOR	C-6	CYLINDER HEAD	B-3	FRONT CALIPERS	H-10	GENERATOR	E-3	OIL PUMP	E-3	REAR SWING ARM	I-2	STAND	G-3		
CHAIN CASE	I-3	CYLINDER HEAD COVER	B-2	FRONT FORK	H-2	HANDLEBAR	H-7	OPTIONAL	I-11	REAR WHEEL	I-5	STARTER CLUTCH	C-3		
CLUTCH	D-2	ELECTRICAL	F-6	FRONT MASTER CYL.	H-11	HEADLAMP	E-2	REAR BRAKE HOSE	I-10	RIGHT HANDLE SW.	H-8	STARTING MOTOR	E-2		

GS1100ET: F.No.GS110X - 5000012
GS1100EX: G71A & 21000012

F3

FIG. 25

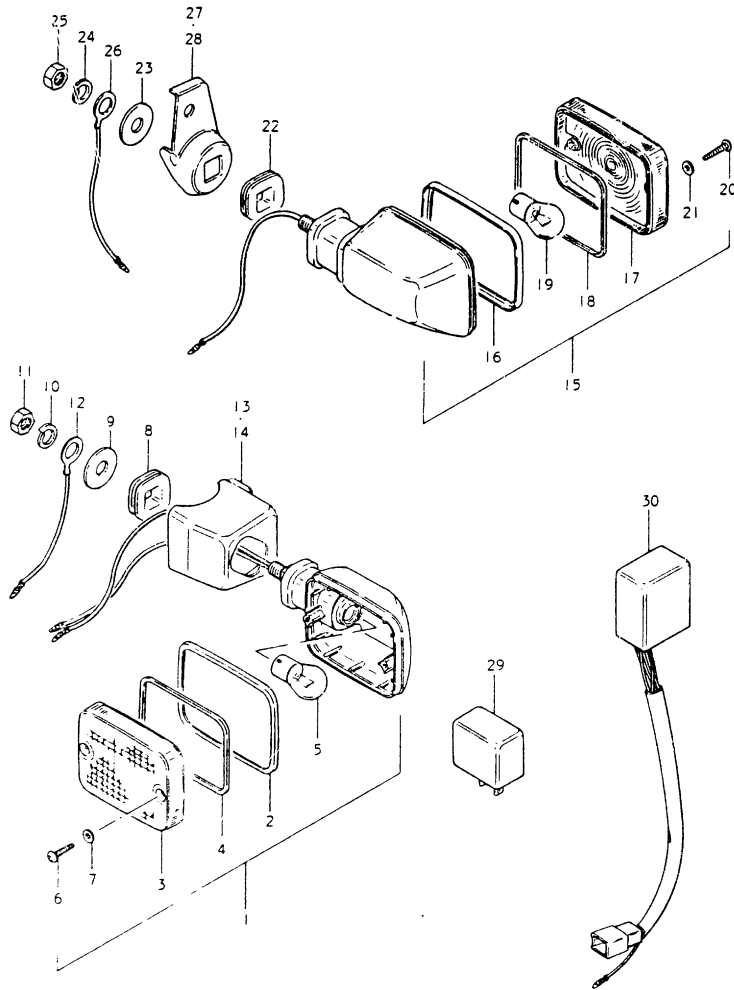


FIG. 25 TURN SIGNAL LAMP (GS1100EX)

Ref. No.	Part No.	Description	Q'ty	Remarks
1	35601-49210	LAMP, front turn signal	2	
2	35611-49230	·RIM	2	
3	35612-49010	·LENS	2	
4	35613-49230	·GASKET	2	
5	09471-12035	·BULB (12V,23W/8W)	2	
6	03211-04208	·SCREW	4	
7	35627-43010	·GASKET	4	
8	09320-15002	CUSHION	2	
9	09160-10006	WASHER	2	
10	08321-21108	LOCK WASHER	2	
11	08310-12108	NUT	2	
12	36851-49000	LEAD WIRE, earth	2	
13	35697-49200	COVER, RH	1	
14	35698-49200	COVER, LH	1	
15	35601-44130	LAMP, rear turn signal	2	
16	35611-49230	·RIM	2	
17	35612-49230	·LENS	2	
18	35613-49230	·GASKET	2	
19	09471-12005	·BULB (12V,23W)	2	
20	03211-04208	·SCREW	4	
21	35627-43010	·GASKET	4	
22	09320-15002	CUSHION	2	
23	09160-10006	WASHER	2	
24	08321-21108	LOCK WASHER	2	
25	08310-12108	NUT	2	
26	36660-33000	LEAD WIRE, earth	2	
27	35620-49200	BRACKET, rear RH	1	
28	35640-49200	BRACKET, rear LH	1	
29	38610-49231	RELAY, turn signal	1	
30	38830-49200	CONTROL UNIT, turn signal	1	

GS1100EX

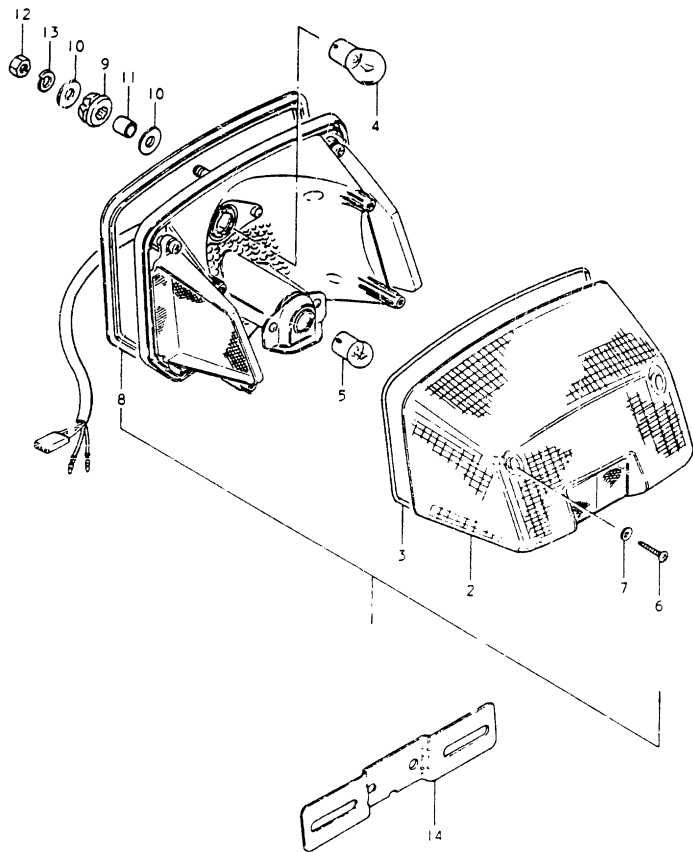
GS1100EX

AIR CLEANER	C-9	CRANK COVER	B-7	FOOTREST	G-4	FRONT WHEEL	H-6	HOUSING HEADLAMP	H-5	REAR CALIPERS	I-7	SEAT	G-9	STEERING STEM	H-3
BATTERY	E-6	CRANKCASE	B-5	FRAME	G-2	FUEL COCK	G-8	LEFT HANDLE SW	H-9	REAR COMBI LAMP	F-5	SEAT TAIL COVER	G-10	TRANSMISSION	D-4
CAM SHAFT	C-5	CRANKSHAFT	C-2	FRAME COVER	G-12	FUEL TANK	G-6	MASTER CYLINDER	I-8	REAR FENDER	I-4	SIGNAL GENERATOR	E-5	TURN SIGNAL LAMP	F-3
CAM SHAFT	C-4	CYLINDER	B-4	FRONT BRAKE HOSE	H-12	GEAR SHIFTING	D-6	MUFFLER	C-10	REAR MASTER CYL	I-9	SPEEDO/TACHO	E-7	WIRING HARNESS	F-7
CARBURETOR	C-6	CYLINDER HEAD	B-3	FRONT CALIPERS	H-10	GENERATOR	E-3	OIL PUMP	B-8	REAR SWING ARM	I-2	STAND	G-3		
CHAIN CASE	I-3	CYLINDER HEAD COVER	B-2	FRONT FORK	H-2	HANDLEBAR	H-7	OPTIONAL	I-11	REAR WHEEL	I-5	STARTER CLUTCH	C-3	GS1100ET: F.No GS110X - 500001	
CLUTCH	D-2	ELECTRICAL	F-6	FRONT MASTER CYL	H-11	HEADLAMP	F-2	REAR BRAKE HOSE	I-10	RIGHT HANDLE SW	H-8	STARTING MOTOR	E-2	GS1100EX: GU71A B2100001	

F4

FIG. 26

FIG. 26 REAR COMBINATION LAMP



Ref. No.	Part No.	Description	Q'ty	Remarks
1	35710-49230	LAMP ASSY, tail	1	
2	35712-49230	LENS	1	
3	35713-49230	GASKET	1	
4	09471-12035	BULL (12V, 32/3cp)	1	
5	09471-12037	BULB (12V, 4cp)	1	
6	03211-04208	SCREW	4	
7	35627-43010	GASKET	4	
8	35733-49230	GASKET	1	
9	09320-09010	CUSHION	3	
10	09160-06060	WASHER	6	
11	09180-06006	SPACER	3	
12	08310-11068	NUT	3	
13	08321-21068	LOCK WASHER	3	
14	35927-49230	PLATE license	1	

GS1100EX

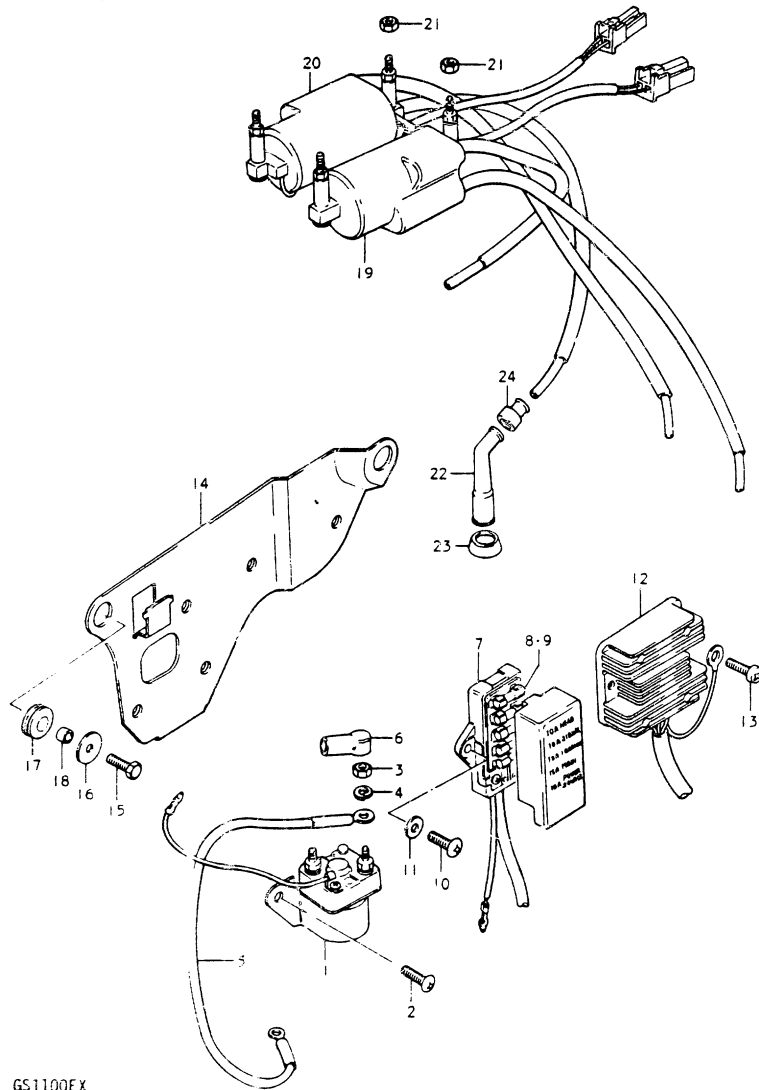
GS1100EX

AIR CLEANER	C-9	CRANK COVER	B-7	FOOTREST	G-4	FRONT WHEEL	H-6	HOUSING HEADLAMP	H-5	REAR CALIPERS	I-7	SEAT	G-9	STEERING STEM	H-3
BATTERY	E-6	CRANKCASE	B-5	FRAME	G-2	FUEL COCK	G-8	LEFT HANDLE SW.	H-9	REAR COMBI. LAMP	F-5	SEAT TAIL COVER	G-10	TRANSMISSION	D-4
CAM CHAIN	C-5	CRANKSHAFT	C-2	FRAME COVER	G-12	FUEL TANK	G-6	MASTER CYLINDER	I-8	REAR FENDER	F-4	SIGNAL GENERATOR	E-5	TURN SIGNAL LAMP	F-3
CAM SHAFT	C-4	CYLINDER	B-4	FRONT BRAKE HOSE	H-12	GEAR SHIFTING	D-6	MUFFLER	C-10	REAR MASTER CYL.	I-9	SPEEDO/ACHO.	E-7	WIRING HARNESS	F-7
CARBURETOR	C-6	CYLINDER HEAD	B-3	FRONT CALIPERS	H-10	GENERATOR	E-3	OIL PUMP	E-8	REAR SWING ARM	I-2	STAND	E-3		
CHAIN CASE	I-3	CYLINDER HEAD COVER	B-2	FRONT FORK	H-2	HANDLEBAR	H-7	OPTIONAL	H-7	REAR WHEEL	I-5	STARTER CLUTCH	C-3	GS1100ET: F.No.GS110X - 5000012	
CLUTCH	D-2	ELECTRICAL	F-6	FRONT MASTER CYL.	H-11	HEADLAMP	F-7	REAR BRAKE HOSE	I-10	RIGHT HANDLE SW.	H-8	STARTING MOTOR	E-2	GS1100EX: GU7A B21000014	

F5

FIG. 27

FIG. 27 ELECTRICAL



GS1100EX

GS1100EX

Ref. No.	Part No.	Description	Q'ty	Remarks
1	31800-37020	RELAY, starting motor	1	
2	02112-06108	SCREW	2	
3	08310-22068	NUT	2	
4	08321-21068	LOCK WASHER	2	
5	33850-49001	LEAD WIRE, starting motor	1	
6	31861-35100	CAP, terminal	3	
7	36740-49200	FUSE CASE ASSY	1	
8	09481-10001	·FUSE (10A)	4	
9	09481-15001	·FUSE (15A)	1	
10-1	02112-06168	SCREW	1	
10-2	02112-06208	SCREW	1	
11	08322-21068	WASHER	1	
12-1	32800-45210	RECTIFIER ASSY, regulator	1	model T
12-2	32800-49310	RECTIFIER ASSY, regulator	1	model X
13	02112-06128	SCREW	1	
14	47410-49200	PLATE, parts holder	1	
15	01107-06168	BOLT	2	
16	09160-76007	WASHER	2	
17	09320-18013	CUSHION	2	
18	09180-07005	SPACER	2	
19	33410-48110	COIL, ignition No.1	1	
20	33420-49110	COIL, ignition No.2	1	
21	08310-11668	NUT	4	
22	33510-45000	CAP, spark plug	4	
23	33541-32410	SEAL, spark plug	4	
24	33542-98001	SEAL, hightension cord	4	

AIR CLEANER C-9	CRANK COVER B-7	FOOTREST G-4	FRONT WHEEL H-6	HOUSING HEADLAMP H-5	REAR CALIPERS I-7	SEAT G-8	STEERING STEM H-3
BATTERY E-6	CRANKCASE B-5	FRAME G-2	FUEL COCK G-2	LEFT HANDLE SW. H-9	REAR COMBI. LAMP F-5	SEAT TAIL COVER G-10	TRANSMISSION D-4
CAM CHAIN C-5	CRANKSHAFT C-2	FRAME COVER G-2	FUEL TANK G-6	MASTER CYLINDER I-8	REAR FENDER I-4	SIGNAL GENERATOR E-5	TURN SIGNAL LAMP F-3
CAM SHAFT C-4	CYLINDER B-4	FRONT BRAKE HOSE H-12	GEAR SHIFTING D-6	MUFFLER D-6	REAR MASTER CYL. C-10	SPEEDO/TACHO. E-7	WIRING HARNESS F-7
CARBURETOR C-6	CYLINDER HEAD B-3	FRONT CALIPERS H-10	GENERATOR E-3	OIL PUMP B-1	REAR SWING ARM I-2	STAND G-3	
CHAIN CASE I-3	CYLINDER HEAD COVER B-2	FRONT FORK H-2	OPTIONAL H-7	REAR WHEEL I-11	STARTER CLUTCH C-3		
CLUTCH D-2	ELECTRICAL F-6	FRONT MASTER CYL. H-11	HEADLAMP F-2	REAR BRAKE HOSE I-10	RIGHT HANDLE SW. H-8	STARTING MOTOR E-2	

GS1100EX F.No.GS110X 500001
GS1100EX: GU71A B2100001

F6

FIG. 28

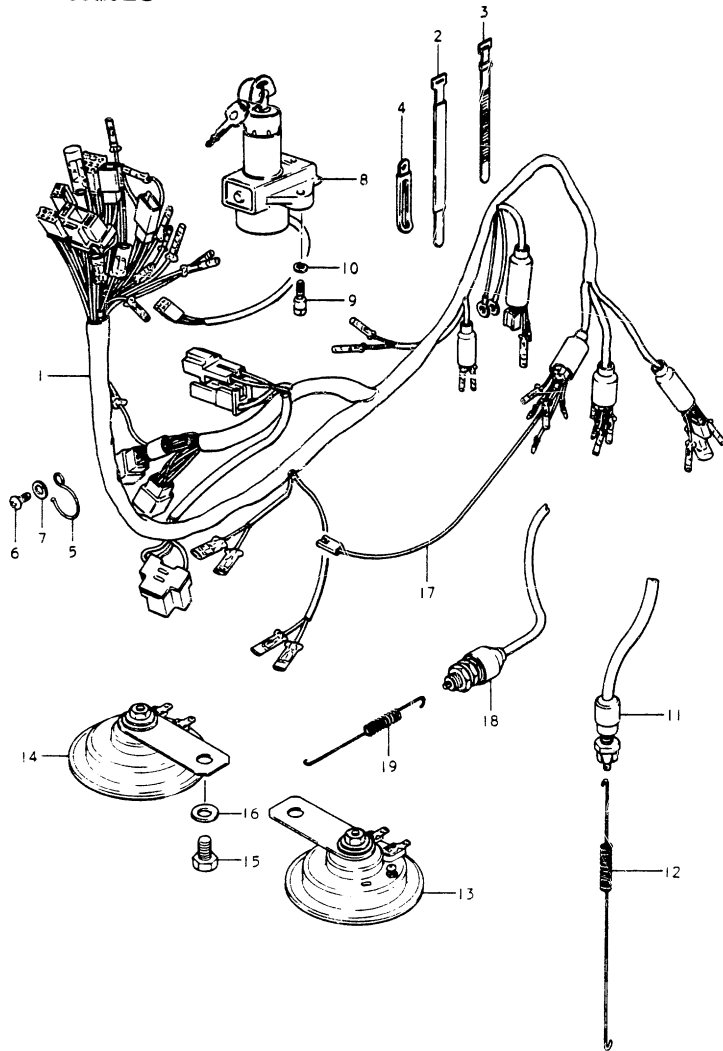


FIG. 28 WIRING HARNESS

Ref. No.	Part No.	Description	Q'ty	Remarks
1-1	36610-49200	WIRING HARNESS	1	model T
1-2	36610-49220	WIRING HARNESS	1	model X
2	09407-18301	CLAMP (L:180)	4	
3	09407-12402	CLAMP (L:120)	6	
4-1	09404-06414	CLAMP	2	
4-2	09404-06401	CLAMP	1	
5	36619-44000	CLIP	1	
6	02112-06128	SCREW	1	
7	08322-21068	WASHER	1	
8	37100-49200	SWITCH ASSY, ignition	1	
9	37152-47010	BOLT	2	
10	08321-21068	LOCK WASHER	2	
11-1	37740-04570	SWITCH, brake lamp	1	model T
11-2	37740-04571	SWITCH, brake lamp	1	model X
12	09443-06030	SPRING	1	
13	38502-47000	HORN, low pitched	1	
14	38501-47000	HORN, high pitched	1	
15	01107-08128	BOLT	2	
16	08322-11088	WASHER	2	
17	36853-45000	LEAD WIRE, pressure switch	1	
18	37840-49200	SWITCH, prop stand warning	1	model X
19	09443-06011	SPRING	1	model X
20	37146-47010	KEY, blank	1	OPT

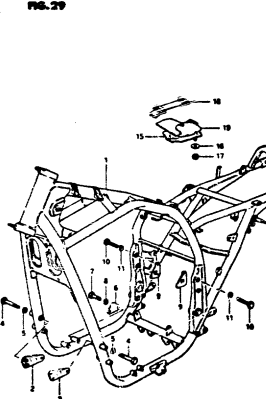
GS1100EX

GS1100EX Revised 1 Apr., '81

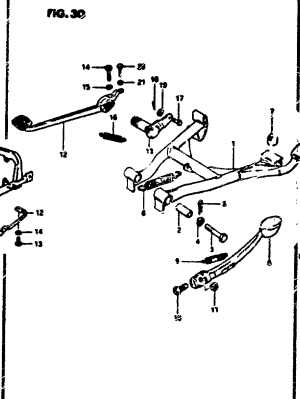
F7

AIR CLEANER C-9	CRANK COVER B-7	FOOTREST G-4	FRONT WHEEL H-6	HOUSING HEADLAMP H-5	REAR CALIPERS I-7	SEAT G-9	STEERING STEM H-3
BATTERY E-6	CRANKCASE B-5	FRAME G-2	FUEL COCK G-8	LEFT HANDLE SW H-9	REAR COMBI. LAMP F-5	SEAT TAIL COVER G-10	TRANSMISSION D-4
CAM CHAIN C-5	CRANKSHAFT C-2	FRAME COVER B-4	FRONT BRAKE HOSE H-10	MASTER CYLINDER I-4	REAR FENDER I-8	SIGNAL GENERATOR E-5	TURN SIGNAL LAMP F-2
CAM SHAFT C-4	CYLINDER B-3	FRONT CALIPERS B-2	FRONT FORK H-2	OPTIONAL I-11	REAR SWING ARM I-2	STAND G-3	WIRING HARNESS F-7
CARBURETOR C-6	CYLINDER HEAD B-1	FRONT FORK B-2	FRONT FORK H-2	OPTIONAL I-11	REAR WHEEL I-5	STARTER CLUTCH C-3	
CHAIN CASE I-3	CYLINDER HEAD COVER B-2	FRONT FORK B-2	FRONT MASTER CYL H-11	HEADLAMP F-2	RIGHT HANDLE SW I-10	STARTING MOTOR E-2	
CLUTCH D-2	ELECTRICAL F-6	FRONT MASTER CYL H-11					

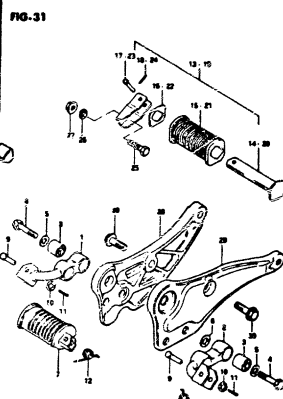
GS1100ET F No GS110X - 500001
GS1100EX: GU71A B2100001



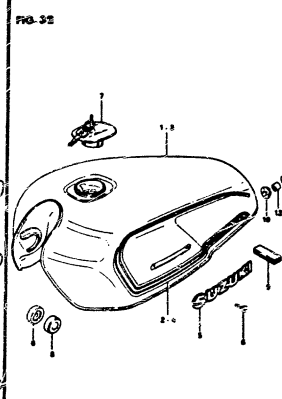
G2



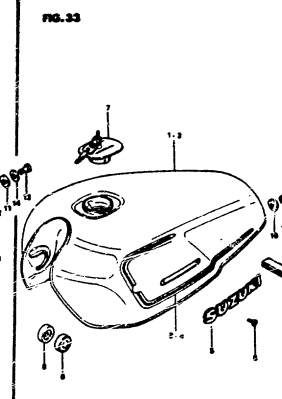
G3



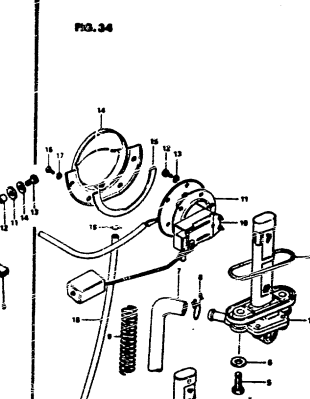
G4



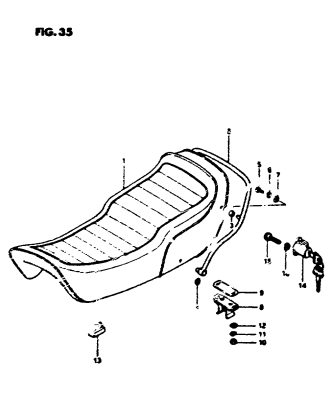
G6



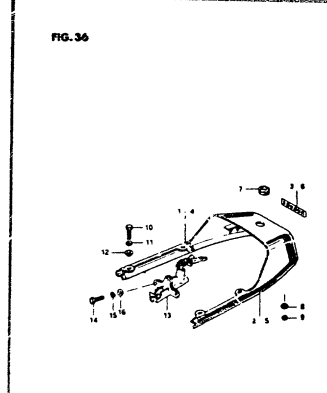
G7



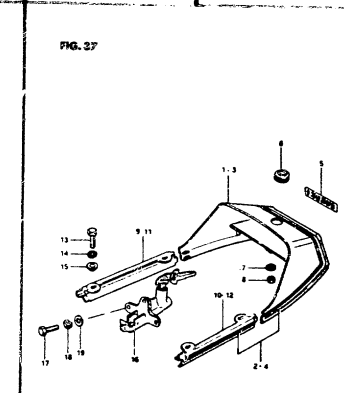
G8



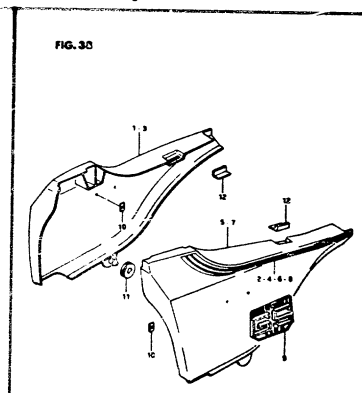
G9



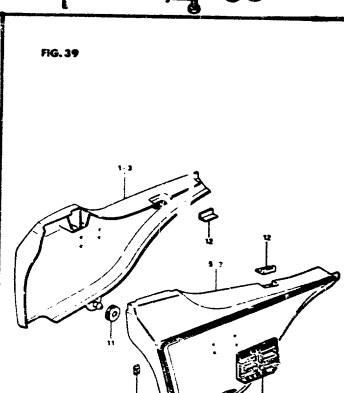
G10



G11



G12

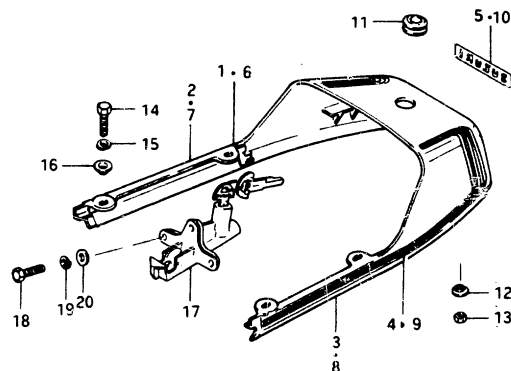


G13

G1

AIR CLEANER C-9	CRANK COVER B-7	FOOTREST G-4	FRONT WHEEL H-6	HOUSING HEADLAMP H-5	REAR CALIPERS I-7	SEAT G-9	STEERING STEM H-3
BATTERY E-6	CRANKCASE C-5	FRAME B-5	FUEL COCK G-2	LEFT HANDLE SW. H-9	REAR COMBI. LAMP H-9	SEAT TAIL COVER F-5	TRANSMISSION G-10
CAM CHAIN C-5	CRANKSHAFT C-2	FRAME CLIVER C-2	FUEL TANK G-12	MASTER CYLINDER G-6	REAR FENDER I-8	SIGNAL GENERATOR I-4	TURN SIGNAL LAMP F-3
CAM SHAFT C-4	CYLINDER B-4	FRONT BRAKE HOSE H-12	GEAR SHIFTING H-10	MUFFLER C-10	REAR MASTER CYL. I-9	SPEEDO/TACHO I-2	WIRING HARNESS F-7
CARBURETOR C-6	CYLINDER HEAD B-3	FRONT CALIPERS H-8	GENERATOR E-3	OIL PUMP C-8	REAR SWING ARM I-2	STAND G-3	
CHAIN CASE I-3	CYLINDER HEAD COVER B-2	FRONT FORK H-2	HANDLEBAR H-7	OPTIONAL I-11	REAR WHEEL I-5	STARTER CLUTCH C-3	
CLUTCH D-2	ELECTRICAL F-6	FRONT MASTER CYL. H-11	HEADLAMP F-2	REAR BRAKE HOSE I-10	RIGHT HANDLE SW. H-8	STARTING MOTOR E-2	

GS1100ET, F No GS11GX - 500001s
GS1100EX, GU71A B2100001s



1	45500-49820-737	COVER, seat tail (Silver)	1
2	45191-49200-737	MOUL, seat RH (Silver)	1
3	45192-49200-737	MOUL, seat LH (Silver)	1
4	68160-49210-72F	TAPE SET	1
5	68166-49200-538	EMBLEM	1
6	45500-49200-05L	COVER, seat tail (Red)	1
7	45191-49200-05L	MOUL, seat RH (Red)	1
8	45192-49200-05L	MOUL, seat LH (Red)	1
9	68160-49210-72B	TAPE SET	1
10	68166-49200-998	EMBLEM	1
11	45522-49200	GROMMET	1
12	09169-06016	WASHER	3
13	08319-21068	NUT	3
14	01107-06128	BOLT	4
15	08321-21068	LOCK WASHER	4
16	09169-06016	WASHER	4
17	95700-49820	SEAT LOCK SET	1
18	01107-06128	BOLT	3
19	08321-21068	LOCK WASHER	3
20	08322-11068	WASHER	3

FIG.37 (G-11) : GS1100EX

GS1100EX

GS1100EX

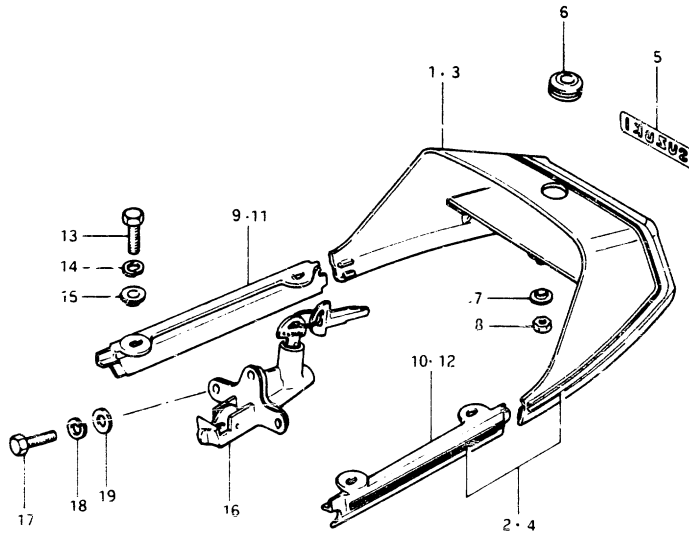
G10

AIR CLEANER C-9	CRANK COVER B-7	FRONT WHEEL G-4	HOUSING HEADLAMP H-6	REAR CALIPERS I-7	SEAT TAIL COVER F-5	STEERING STEM H-3
BATTERY E-6	CRANKCASE B-5	FUEL COCK G-2	LEFT HANDLE SW G-8	REAR COMBI. LAMP H-9	SEAT TAIL COVER F-5	TRANSMISSION D-4
CAM CHAIN C-5	CRANKSHAFT C-2	FUEL TANK G-12	MASTER CYLINDER D-6	REAR FENDER I-8	SIGNAL GENERATOR I-4	TURN SIGNAL LAMP F-3
CAM SHAFT C-4	CYLINDER B-3	GEAR SHIFTING H-12	MUFFLER D-6	REAR MASTER CYL C-10	SPEED/TACHO I-9	WIRING HARNESS E-7
CARBURETOR C-6	CYLINDER HEAD B-3	GENERATOR H-10	OIL PUMP E-3	REAR SWING ARM I-2	STAND I-2	
CHAIR CASE I-3	CYLINDER HEAD COVER B-2	FRONT CALIPERS H-2	OPTIONAL H-7	REAR WHEEL I-5	STARTER CLUTCH I-5	
CLUTCH D-2	ELECTRICAL F-6	FRONT FORK H-2	REAR BRAKE HOSE F-2	RIGHT WHEEL I-10	STARTING MOTOR H-8	
		FRONT FORK H-2				
		FRONT MASTER CYL H-11				

GS1100ET F.No GS110X - 500001
GS1100EX GUT1A 82100001

FIG. 37

FIG. 37 SEAT TAIL COVER (GS1100EX)



Ref. No	Part No.	Description	Q'ty	Remarks
1	45500-49230-08E	COVER, seat tail (Black)	1	
2	68160-49230-75F	-TAPE SET	1	
3	45500-49230-08D	COVER, seat tail (Blue)	1	
4	68160-49230-75G	-TAPE SET	1	
5	68166-49200-998	EMBLEM	1	
6	45522-49200	GROMMET	1	
7	09169-06016	WASHER	3	
8	08319-21068	NUT	3	
9	45191-49200-08E	MOULDING, seat RH (Black)	1	
10	45192-49200-08E	MOULDING, seat LH (Black)	1	
11	45191-49200-08D	MOULDING, seat RH (Blue)	1	
12	45192-49200-08D	MOULDING, seat LH (Blue)	1	
13	01107-06128	BOLT	4	
14	08321-21068	LOCK WASHER	4	
15	09169-06016	WASHER	4	
16	95700-49821	SEAT LOCK SET	1	
17	01107-06128	BOLT	3	
18	08321-21068	LOCK WASHER	3	
19	08322-11068	WASHER	3	

GS1100EX

GS1100EX Revised 1 Apr., '81

G11

AIR CLEANER C-9	CRANK COVER B-7	FOOTREST G-4	FRONT WHEEL H-6	HOUSING HEADLAMP H-5	REAR CALIPERS I-7	SEAT G-9	STEERING STEM H-3
BATTERY E-6	CRANKCASE B-5	FRAME G-2	FUEL COCK G-8	LEFT HANDLE SW. H-9	REAR COMBL. LAMP F-5	SEAT TAIL COVER G-10	TRANSMISSION D-4
CAM CHAIN C-5	CRANKSHAFT C-2	FRAME COVER G-12	FUEL TANK G-6	MASTER CYLINDER I-8	REAR FENDER I-4	SIGNAL GENERATOR E-5	TURN SIGNAL LAMP F-3
CAM SHAFT C-4	CYLINDER B-4	FRONT BRAKE HOSE H-12	GEAR SHIFTING D-6	MUFFLER C-10	REAR MASTER CYL. I-9	SPEEDO/TACHO E-7	WIRING HARNESS F-7
CARBURETOR C-6	CYLINDER HEAD B-3	FRONT CALIPERS H-10	GENERATOR E-3	OIL PUMP E-3	REAR SWING ARM I-2	STAND G-3	
CHAIN CASE I-3	CYLINDER HEAD COVER B-2	FRONT FORK H-2	HANDLEBAR H-7	OPTIONAL H-7	REAR WHEEL I-5	STARTER CLUTCH C-3	GS1100ET. F.No.GS110X - 500001;
CLUTCH D-2	ELECTRICAL F-6	FRONT MASTER CYL. H-11	HEADLAMP F-2	REAR BRAKE HOSE I-10	RIGHT HANDLE SW. H-8	STARTING MOTOR E-2	GS1100EX: GU71A B2100001;

FIG. 38

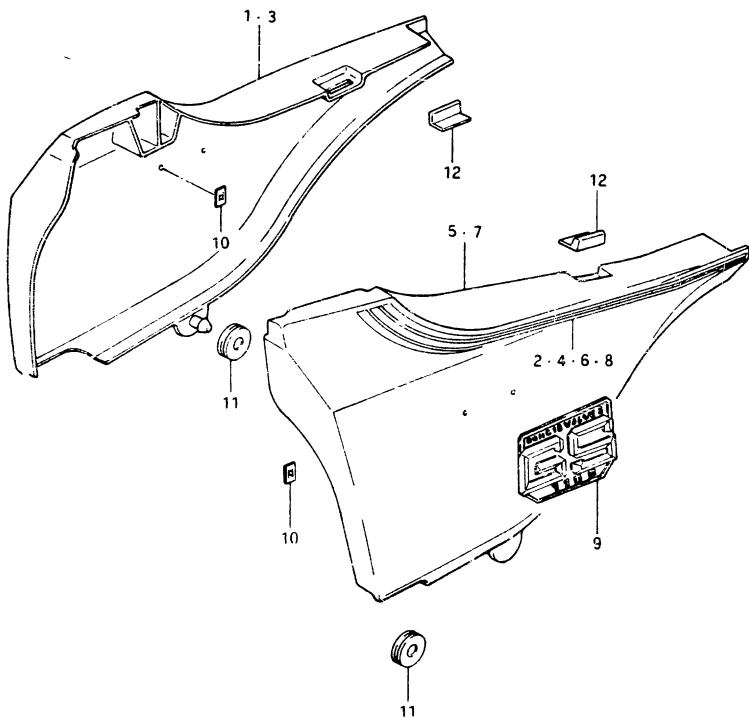


FIG. 38 FRAME COVER (GS1100ET)

Ref. No.	Part No.	Description	Q'ty	Remarks
1	47100-49880-737	COVER, frame RH (Silver)	1	
2	68136-49210-72F	TAPE, RH	1	
3	47100-49880-05L	COVER, frame RH (Red)	1	
4	68136-49210-72B	TAPE, RH	1	
5	47200-49880-737	COVER, frame LH (Silver)	1	
6	68146-49210-72F	TAPE, LH	1	
7	47200-49880-05L	COVER, frame LH (Red)	1	
8	68146-49210-72B	TAPE, LH	1	
9	68131-49200	EMBLEM	2	
10	09148-03002	NUT	4	
11	09320-08018	CUSHION	2	
12	47117-02400	CUSHION	4	

FIG. 39 (G-13) : GS1100EX

GS1100EX

GS1100EX Revised 1 Apr., '81

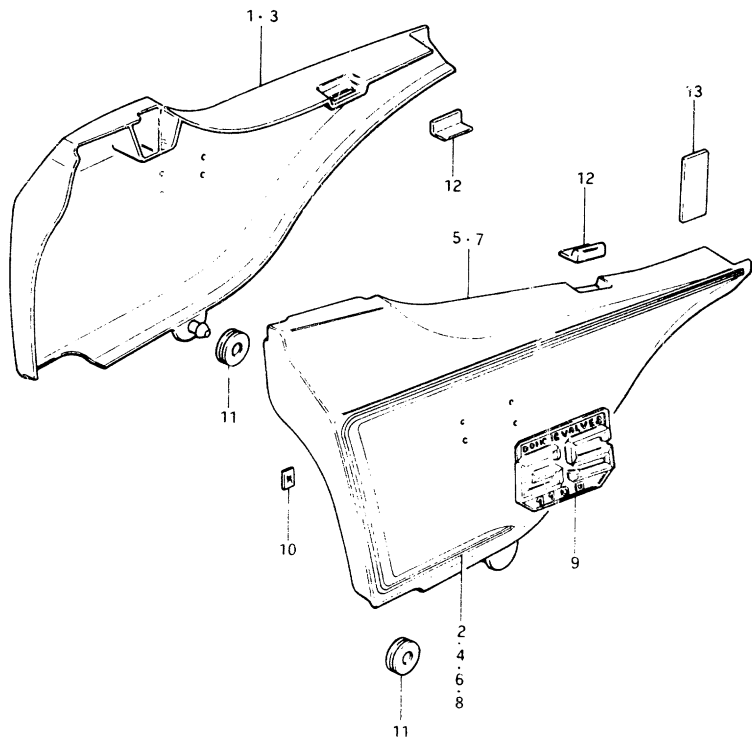
G12

AIR CLEANER	C9	CRANK COVER	B7	FOOTREST	G4	FRONT WHEEL	H6	HOUSING HEADLAMP	H5	REAR CALIPERS	I7	SEAT	G9	STEERING STEM	H3
BATTERY	E6	CRANKCASE	B5	FRAME	G2	FUEL COCK	G8	LEFT HANDLE SW.	H9	REAR COMBI. LAMP	F5	SEAT TAIL COVER	G10	TRANSMISSION	D4
CAM CHAIN	C5	CRANKSHAFT	C2	FRAME COVER	G12	FUEL TANK	G6	MASTER CYLINDER	D5	REAR FENDER	I4	SIGNAL GENERATOR	E5	TURN SIGNAL LAMP	F3
CAM SHAFT	C4	CYLINDER	B4	FRONT BRAKE HOSE	H12	GEAR SHIFTING	D5	MUFFLER	E3	REAR MASTER CYL.	I9	SPEEDO/TACHO	E7	WIRING HARNESS	F7
CARBURETOR	C6	CYLINDER HEAD	B3	FRONT CALIPERS	H10	GENERATOR	E3	OIL PUMP	E3	REAR SWING ARM	I2	STAND	G3		
CHAIN CASE	I3	CYLINDER HEAD COVER	B2	FRONT FORK	H2	HANDLEBAR	H7	OPTIONAL	H7	REAR WHEEL	I11	STARTER CLUTCH	C3		
CLUTCH	D2	ELECTRICAL	F6	FRONT MASTER CYL.	H11	HEADLAMP	F2	REAR BRAKE HOSE	I10	RIGHT HANDLE SW.	H8	STARTING MOTOR	E2		

GS1100ET: F.No.GS110X - 500001;
GS1100EX: GUTIA B210001;

FIG. 39

FIG. 39 FRAME COVER (GS1100EX)



Ref. No.	Part No.	Description	Q'ty	Remarks
1	47101-49810-08E	COVER, frame RH (Black)	1	
2	68136-49230-75F	-TAPE, RH	1	
3	47101-49810-08D	COVER, frame RH (Blue)	1	
4	68136-49230-75G	-TAPE, RH	1	
5	47201-49810-08E	COVER, frame LH (Black)	1	
6	68146-49230-75F	-TAPE, LH	1	
7	47201-49810-08D	COVER, frame LH (Blue)	1	
8	68146-49230-75G	-TAPE, LH	1	
9	68131-49200	EMBLEM	2	
10	09148-03002	NUT	4	
11	09320-08018	CUSHION	2	
12	47117-02400	CUSHION	4	
13	47113-49200	CUSHION	2	

GS1100EX Revised 1 Apr., '81

GS1100EX Revised 1 Apr., '81

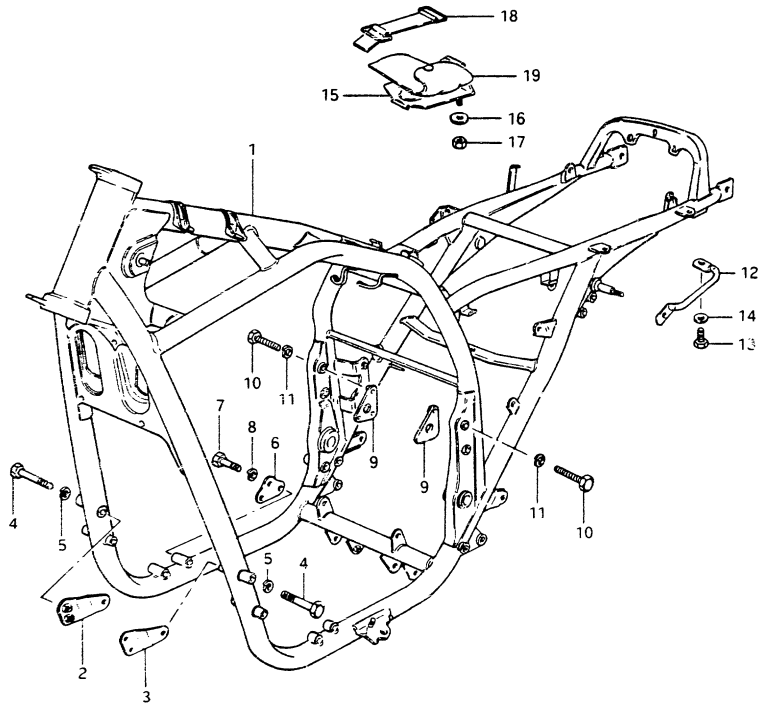
G13

AIR CLEANER . . . C-9	CRANK COVER . . . B-7	FOOTREST . . . G-4	FRONT WHEEL . . . H-6	HOUSING HEADLAMP . . . H-5	REAR CALIPERS . . . I-7	SEAT . . . G-9	STEERING STEM . . . H-3
BATTERY . . . E-6	CRANKCASE . . . B-5	FRAME . . . G-2	FUEL COCK . . . G-8	LEFT HANDLE SW . . . H-9	REAR COMBL. LAMP . . . F-5	SEAT TAIL COVER . . . G-10	TRANSMISSION . . . D-4
CAM CHAIN . . . C-5	CRANKSHAFT . . . C-2	FRAME COVER . . . G-12	FUEL TANK . . . G-6	MASTER CYLINDER . . . I-8	REAR FENDER . . . I-4	SIGNAL GENERATOR . . . E-5	TURN SIGNAL LAMP . . . F-3
CAM SHAFT . . . C-4	CYLINDER . . . B-4	FRONT BRAKE HOSE . . . H-12	GEAR SHIFTING . . . D-6	MUFFLER . . . C-10	REAR MASTER CYL . . . I-9	SPEEDO/TACHO . . . E-7	WIRING HARNESS . . . F-7
CARBURETOR . . . C-6	CYLINDER HEAD . . . B-3	FRONT CALIPERS . . . H-10	GENERATOR . . . E-3	OIL PUMP . . . B-8	REAR SWING ARM . . . I-2	STAND . . . G-3	
CHAIN CASE . . . I-3	CYLINDER HEAD COVER . . . B-2	FRONT FORK . . . H-2	HANDLEBAR . . . H-7	OPTIONAL . . . H-7	REAR WHEEL . . . I-5	STARTER CLUTCH . . . C-3	
CLUTCH . . . D-2	ELECTRICAL . . . F-6	FRONT MASTER CYL . . . H-11	HEADLAMP . . . I-2	REAR BRAKE HOSE . . . I-10	RIGHT HANDLE SW . . . H-8	STARTING MOTOR . . . E-2	

GS1100ET: F.No.GS1100X - 500001;
GS1100EX: GU71A B2100001;

FIG. 29

FIG.29 FRAME



Ref. No.	Part No.	Description	Q'ty	Remarks
1-1	41100-49207-019	FRAME (Black)	1	model T
1-2	41100-49201-019	FRAME (Black)	1	model X
2	41910-49211-019	PLATE, No.1 RH (Black)	1	
3	41920-49211-019	PLATE, No.1 LH (Black)	1	
4	01107-08658	BOLT	4	
5	08321-21088	LOCK WASHER	4	
6	41921-49000-019	PLATE, No.2 (Black)	2	
7	01107-08168	BOLT	4	
8	08321-21088	LOCK WASHER	4	
9	41940-49000-019	PLATE, No.3 (Black)	2	
10	01107-08358	BOLT	4	
11	08321-21088	LOCK WASHER	4	
12-1	41610-49201	GRIP, frame handle	1	
12-2	41610-49202	GRIP, frame handle	1	
13	01107-08168	BOLT	1	
14	08322-11088	WASHER	1	
15	41550-49200	HOLDER, tool	1	
16	09160-06007	WASHER	2	
17	08310-11068	NUT	2	
18	09462-00072	BAND	1	
19	09800-00812	TOOL SET	1	

GS1100EX

GS1100EX Revised 1 Apr., '81

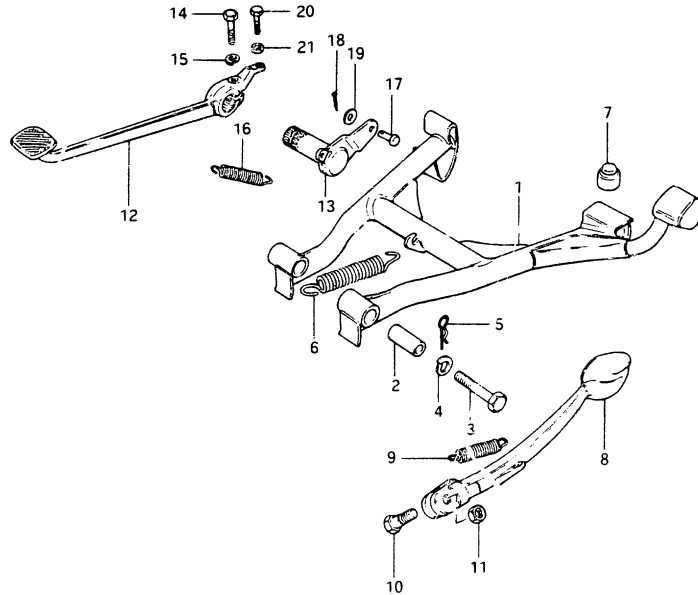
G2

AIR CLEANER	C-9	CRANK COVER	B-7	FOOTREST	G-4	FRONT WHEEL	H-6	HOUSING HEADLAMP	H-5	REAR CALIPERS	I-7	SEAT	G-8	STEERING STEM	H-3
BATTERY	E-6	CRANKCASE	B-5	FRAME	G-2	FUEL COCK	G-6	LEFT HANDLE SW.	H-9	REAR COMBI LAMP	F-5	SEAT TAIL COVER	G-10	TRANSMISSION	D-4
CAM CHAIN	C-5	CRANKSHAFT	C-2	FRAME COVER	G-12	FUEL TANK	G-6	MASTER CYLINDER	I-8	REAR FENDER	I-4	SIGNAL GENERATOR	E-6	TURN SIGNAL LAMP	F-3
CAM SHAFT	C-4	CYLINDER	B-4	FRONT BRAKE HOSE	H-12	GEAR SHIFTING	D-8	MUFFLER	C-10	REAR MASTER CYL.	I-9	SPEEDO/TACHO.	E-7	WIRING HARNESS	F-7
CARBURETOR	C-6	CYLINDER HEAD	B-3	FRONT CALIPERS	H-10	GENERATOR	E-3	OIL PUMP	E-3	REAR SWING ARM	I-2	STAND	G-3		
CHAIN CASE	I-3	CYLINDER HEAD COVER	B-2	FRONT FORK	H-2	HANDLEBAR	H-7	OPTIONAL	I-11	REAR WHEEL	I-5	STARTER CLUTCH	C-3		
CLUTCH	D-2	ELECTRICAL	F-6	FRONT MASTER CYL.	H-11	HEADLAMP	F-2	REAR BRAKE HOSE	I-10	RIGHT HANDLE SW.	H-8	STARTING MOTOR	E-2		

GS1100ET: F.No.GS110X - 500001
GS1100EX: GU71A B2100001c

FIG. 30

FIG. 30 STAND



Ref. No.	Part No.	Description	Q'ty	Remarks
1	42100-49200	STAND, center	1	
2	09180-10040	SPACER (10.7x15.9x38)	2	
3	09101-10018	BOLT	2	
4	08321-21108	LOCK WASHER	2	
5	09385-10001	CLIP	2	
6	09443-10001	SPRING	1	
7	09321-10001	CUSHION	1	
8	42311-49200	STAND, prop	1	
9-1	09443-17005	SPRING	1	model T
9-2	09443-17008	SPRING	1	model X
10	09100-10067	BOLT (10x30)	1	
11	08310-22108	NUT	1	
12	43110-49200	PEDAL, brake	1	
13	43120-49210	ARM, brake pedal rod	1	
14	01107-08258	BOLT	1	
15	08321-21088	LOCK WASHER	1	
16	09443-14013	SPRING	1	
17	09200-06029	PIN	1	
18	04111-20158	COTTER PIN	1	
19	08322-21068	WASHER	1	
20	01107-06208	BOLT	1	
21	08310-11068	NUT	1	

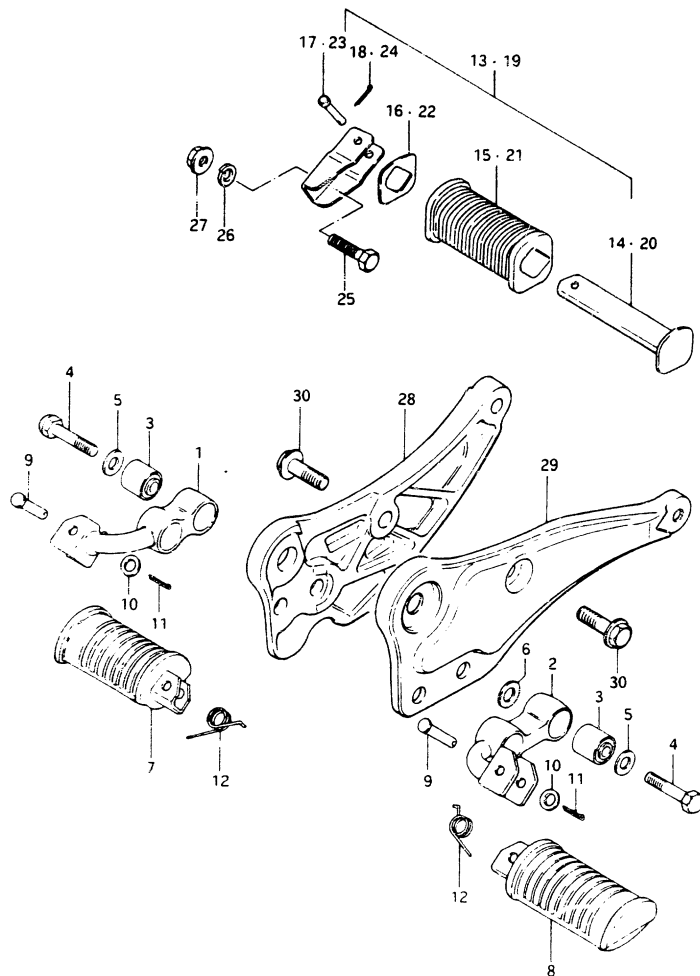
GS1100EX

GS1100EX

AIR CLEANER C-9	CRANK COVER B-7	FOOTREST G-4	FRONT WHEEL H-6	HOUSING HEADLAMP H-5	REAR CALIPERS I-7	SEAT G-9	STEERING STEM H-3
BATTERY E-6	CRANKCASE B-5	FRAME G-2	FUEL COCK G-8	LEFT HANDLE SW H-9	REAR COMBL LAMP F-5	SEAT TAIL COVER G-10	TRANSMISSION O-4
CAM CHAIN C-5	CRANKSHAFT C-2	FRAME COVER G-12	FUEL TANK G-6	MASTER CYLINDER I-6	REAR FENDER I-4	SIGNAL GENERATOR E-5	TURN SIGNAL LAMP F-3
CAM SHAFT C-4	CYLINDER B-4	FRONT BRAKE HOSE H-12	GEAR SHIFTING D-6	MUFFLER E-3	REAR MASTER CYL C-10	SPEED/TACHO E-7	WIRING HARNESS F-7
CARBURETOR C-6	CYLINDER HEAD B-3	FRONT CALIPERS H-10	GENERATOR E-3	OIL PUMP B-8	REAR SWING ARM I-2	STAND G-3	
CHAIN CASE F-3	CYLINDER HEAD COVER B-2	FRONT FORK H-2	HANDLEBAR H-7	OPTIONAL H-7	REAR WHEEL I-5	STARTER CLUTCH C-3	
CLUTCH D-2	ELECTRICAL F-6	FRONT MASTER CYL H-11	HEADLAMP F-2	REAR BRAKE HOSE I-10	RIGHT HANDLE SW H-8	STARTING MOTOR E-2	

G3

GS1100ET: F.No.GS110X - 500001s
GS1100EX: GU71A B2100001s



Ref. No.	Part No.	Description	Q'ty	Remarks
1	43510-49210	BAR, footrest RH	1	
2	43520-49210	BAR, footrest LH	1	
3	09319-10008	BUSHING	4	
4	09104-10009	BOLT	4	
5	09160-10057	WASHER	4	
6	09160-10058	WASHER	4	
7	43550-49002	COVER, RH	1	
8	43560-49002	COVER, LH	1	
9	09200-08002	PIN	2	
10	08322-11088	WASHER	2	
11	04111-20158	COTTER PIN	2	
12	09448-14012	SPRING	2	
13-1	43600-49200	FOOTREST, pillion RH	1	
13-2	43700-49200	FOOTREST, pillion LH	1	
14-1	43610-49200	BAR, RH	1	
14-2	43620-49200	BAR, LH	1	F.No. 508163
15	43612-49200	COVER, RH	2	
16	43631-49200	WASHER	2	
17	09200-06010	PIN	2	
18	04111-20158	COTTER PIN	2	
19-1	43600-49201	FOOTREST, pillion RH	1	
19-2	43700-49201	FOOTREST, pillion LH	1	
20-1	43610-49201	BAR, RH	1	
20-2	43620-49201	BAR, LH	1	F.No. 508164
21	43612-49201	COVER, LH	2	
22	43631-49201	WASHER	2	
23	09200-06010	PIN	2	
24	04111-20158	COTTER PIN	2	
25	01107-10358	BOLT	2	
26	08321-21108	LOCK WASHER	2	
27	08316-16108	NUT	2	
28	43811-49200	BRACKET, muffler RH	1	
29	43821-49200	BRACKET, muffler LH	1	
30	01517-10308	BOLT	2	

GS1100EX

GS1100EX

AIR CLEANER	C9	CRANK COVER	07	FOOTREST	G4	FRONT WHEEL	H6	HOUSING HEADLAMP	H5	REAR CALIPERS	L7	SEAT	S5	SEAT TAIL COVER	G9	STEERING STEM	H3
BATTERY	E6	CRANKCASE	05	FRAME	G2	FUEL COCK	G8	LEFT HANDLE SW	H9	REAR COMBI LAMP	H9	REAR COMBI LAMP	G10	TRANSMISSION	D4		
CAM CHAIN	C5	CRANKSHAFT	C2	FRAME COVER	G12	FUEL TANK	D5	MASTER CYLINDER	G6	REAR FENDER	L8	REAR FENDER	L4	SIGNAL GENERATOR	F3		
CAM SHAFT	C4	CYLINDER	04	FRONT BRAKE HOSE	H12	GEAR SHIFTING	D6	MUFFLER	H10	REAR MASTER CYL	L9	SPEEDO/TACHO	E7	WIRING HARNESS	F7		
CARBURETOR	C6	CYLINDER HEAD	B3	FRONT CALIPERS	H10	GENERATOR	H7	OPTIONAL	H7	REAR SWING ARM	L2	STAND	G3				
CHAIN CASE	I3	CYLINDER HEAD COVER	B2	FRONT FORK	H2	HANDLEBAR	H11	HEADLAMP	F2	REAR BRAKE HOSE	L10	RIGHT HANDLE SW	H8	STARTING MOTOR	E2	GS1100EX	F.No GS110X - 500001s
CLUTCH	D2	ELECTRICAL	F6	FRONT MASTER CYL	H11	HEADLAMP	F2	REAR BRAKE HOSE	F2	REAR BRAKE HOSE	L10	RIGHT HANDLE SW	H8	STARTING MOTOR	E2	GS1100EX	G.U71A 82100001s

G4

FIG. 32

FIG. 32 FUEL TANK (GS1100ET)

Ref. No.	Part No.	Description	Q'ty	Remarks
1	44100-49210-737	TANK, fuel (Silver)	1	TO: 44100-49211-737
2	68110-49210-72F	-TAPE SET	1	SEE BELOW
3	44100-49210-05L	TANK, fuel (Red)	1	TO: 44100-49211-05L
4	68110-49210-72B	-TAPE SET	1	SEE BELOW
5	68111-45010	EMBLEM	2	
6	02132-03065	SCREW	4	
7	44200-49701	CAP, filler	1	
8	09329-10007	CUSHION, front	2	
9	09329-01005	CUSHION, center	1	
10	09320-12013	CUSHION, rear No. 1	1	
11	09320-12017	CUSHION, rear No. 2	1	
12	09180-08067	SPACER	1	
13	01107-08308	BOLT	1	
14	09160-08002	WASHER	1	

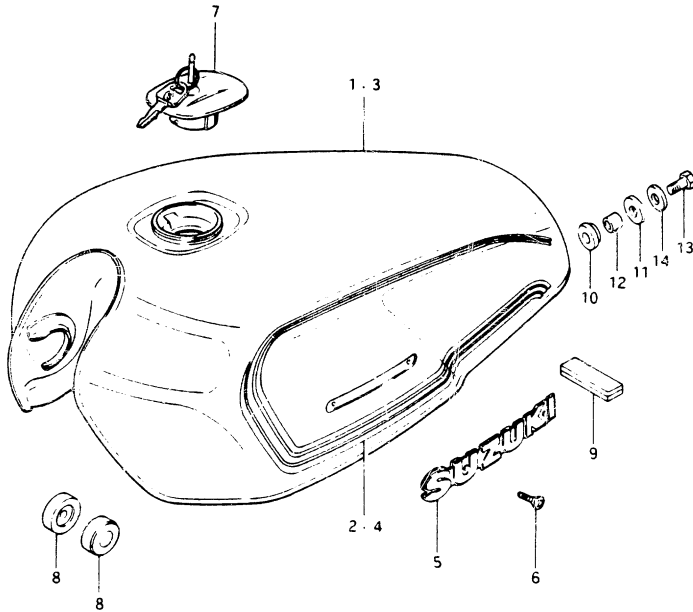


FIG. 33 (G-7) : GS1100EX

USE WITH ABOVE LISTED FUEL TANKS

- 1 09343-07091
- 1 09440-13020
- 1 44300-34470

GS1100EX

GS1100EX Revised 1 Apr., '81

G6

AIR CLEANER	C 9	CRANK COVER	B 7	FOOTREST	G 4	FRONT WHEEL	H 6	HOUSING HEADLAMP	H 5	REAR CALIPERS	I 7	SEAT	H 3
BATTERY	E 6	CRANKCASE	B 5	FRAME	G 2	FUEL COCK	G 8	LEFT HANDLE SW	H 9	REAR COMBI LAMP	F 5	SEAT TAIL COVER	D 4
CAM CHAIN	C 5	CRANKSHAFT	C 2	FRAME COVER	G 12	FUEL TANK	G 6	MASTER CYLINDER	I 8	REAR FENDER	I 4	SIGNAL GENERATOR	F 3
CAM SHAFT	C 4	CYLINDER	B 4	FRONT BRAKE HOSE	H 12	GEAR SHIFTING	D 6	MUFFLER	C 10	REAR MASTER CYL	I 9	SPEEDO/TACHO	F 7
CARBURETOR	C 6	CYLINDER HEAD	B 3	FRONT CALIPERS	H 10	GENERATOR	E 3	OIL PUMP	B 8	REAR SWING ARM	I 2	STAND	G 3
CHAIN CASE	I 3	CYLINDER HEAD COVER	B 2	FRONT FORK	H 2	HANDLEBAR	H 7	OPTIONAL	I 11	REAR WHEEL	I 5	STARTER CLUTCH	C 3
CLUTCH	D 2	ELECTRICAL	F 6	FRONT MASTER CYL	H 11	HEADLAMP	F 2	REAR BRAKE HOSE	I 10	RIGHT HANDLE SW	H 8	STARTING MOTOR	E 2

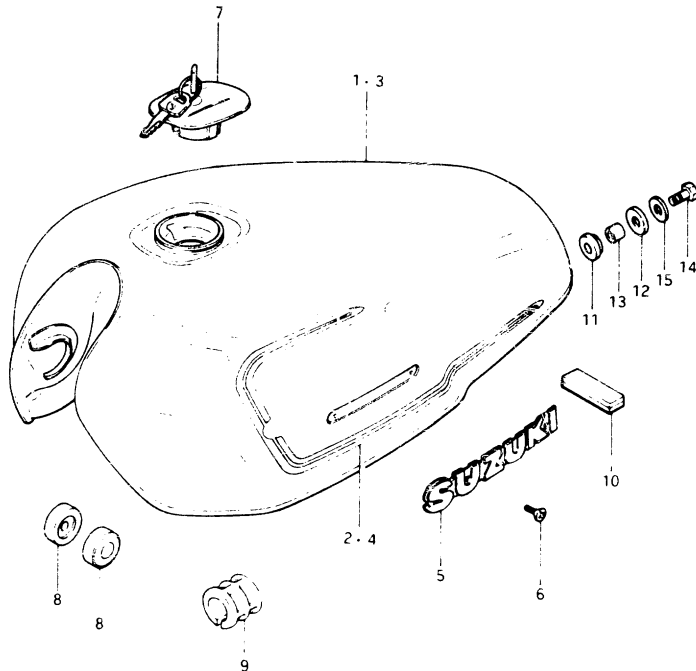
GS1100ET F No GS110X 50R001
GS1100EX GU71A B210001

FIG. 33

FIG. 33 FUEL TANK (GS1100EX)

Q'ty

Ref. No.	Part No.	Description	Q'ty	Remarks
1	44100-49230-08E	TANK, fuel (Black)	1	
2	68110-49230-75F	-TAPE SET	1	
3	44100-49230-08D	TANK, fuel (Blue)	1	
4	68110-49230-75G	-TAPE SET	1	
5	68111-45010	EMBLEM	2	
6	02132-03065	SCREW	4	
7	44200-49701	CAP, filler	1	
8	09329-10007	CUSHION, front No.1	2	
9	44542-49200	CUSHION, front No.2	2	
10	09329-01005	CUSHION, center	1	
11	09320-12010	CUSHION, rear No.1	1	
12	09320-12023	CUSHION, rear No.2	1	
13	09180-08067	SPACER	1	
14	01107-08308	BOLT	1	
15	09160-08002	WASHER	1	



GS1100EX Revised 1 Apr., '81

GS1100EX Revised 1 Apr., '81

G7

AIR CLEANER	C-9 CRANK COVER	B-7 FOOTREST	G-4 FRONT WHEEL	H-6 HOUSING HEADLAMP	H-5 REAR CALIPERS	I-7 SEAT	G-9 STEERING STEM	H-3
BATTERY	E-6 CRANKCASE	B-5 FRAME	G-2 FUEL COCK	G-8 LEFT HANDLE SW.	H-9 REAR COMBI. LAMP	F-5 SEAT TAIL COVER	G-10 TRANSMISSION	D-4
CAM CHAIN	C-5 CRANKSHAFT	C-2 FRAME COVER	G-12 FUEL TANK	C-6 MASTER CYLINDER	I-8 REAR FENDER	I-4 SIGNAL GENERATOR	F-5 TURN SIGNAL LAMP	F-3
CAM SHAFT	C-4 CYLINDER	B-4 FRONT BRAKE HOSE	H-12 GEAR SH.FTING	D-6 MUFFLER	C-10 REAR MASTER CYL	I-9 SPEEDO/TACHO	E-7 WIRING HARNESS	F-7
CARBURETOR	C-6 CYLINDER HEAD	B-3 FRONT CALIPERS	H-10 GENERATOR	E-3 OIL PUMP	B-8 REAR SWING ARM	I-2 STAND	G-3	
CHAIN CASE	I-3 CYLINDER HEAD COVER	B-2 FRONT FORK	H-2 HANDLEBAR	H-7 OPTIONAL	I-11 REAR WHEEL	I-5 STARTER CLUTCH	C-3 GS1100ET F No GS110X	500001*
CLUTCH	D-2 ELECTRICAL	F-6 FRONT MASTER CYL	H-11 HEADLAMP	F-2 REAR BRAKE HOSE	I-10 RIGHT HANDLE SW	H-8 STARTING MOTOR	E-2 GS1100EX GU71A 82100001*	

FIG. 34

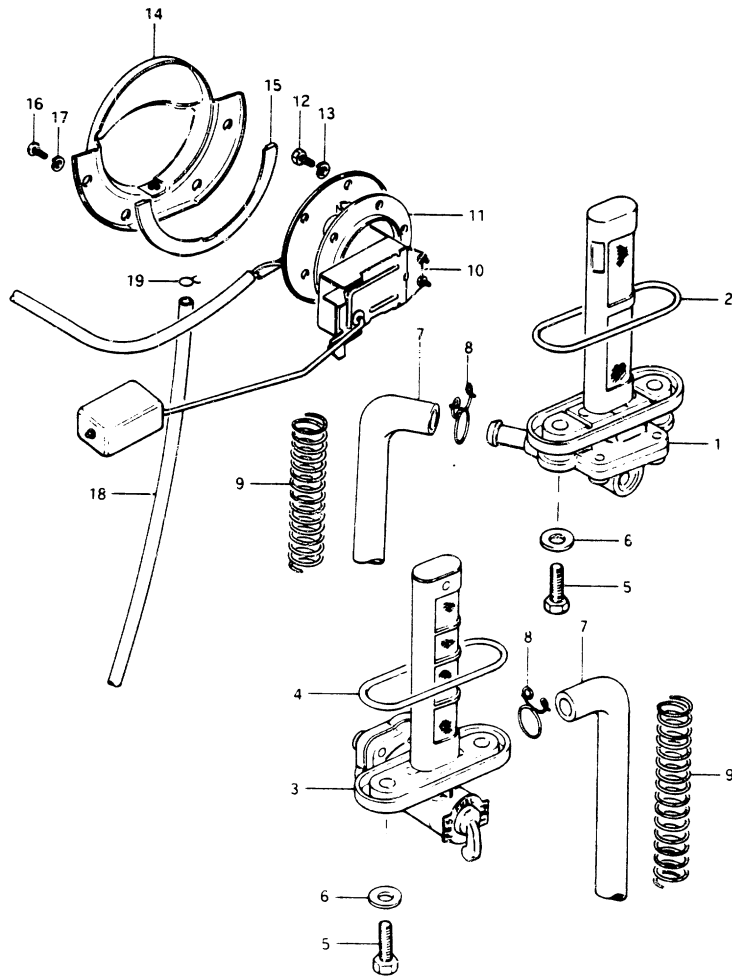


FIG. 34 FUEL COCK

Ref. No.	Part No.	Description	Q'ty	Remarks
1	44300-47270	COCK ASSY, fuel	1	model T
2	44348-47270	-O RING	1	model T
3	44300-3470	COCK ASSY, fuel	1	model X
4	44348-49170	-O RING	1	model X
5	09128-06024	BOLT	2	
6	09168-06010	GASKET	2	
7-1	09343-07026	HOSE, fuel (L:250+L:170)	1	model T
7-2	09343-07026	HOSE, fuel (L:250+L:190)	1	model X
8	09401-10403	CLIP	2	
9	09440-13017	SPRING	1	
10-1	34810-49200	GAUGE ASSY, fuel level	1	model T
10-2	34810-49201	GAUGE ASSY, fuel level	1	model X
11	34825-49001	-GASKET	1	
12	01104-05108	BOLT	5	
13	08321-21058	LOCK WASHER	5	
14	34885-49002	PLATE, fuel drain	1	
15	34888-49000	GASKET	1	
16	02112-05088	SCREW	4	
17	08321-21058	LOCK WASHER	4	
18	09343-05165	HOSE	1	
19	09401-08402	CLIP	1	

GS1100EX

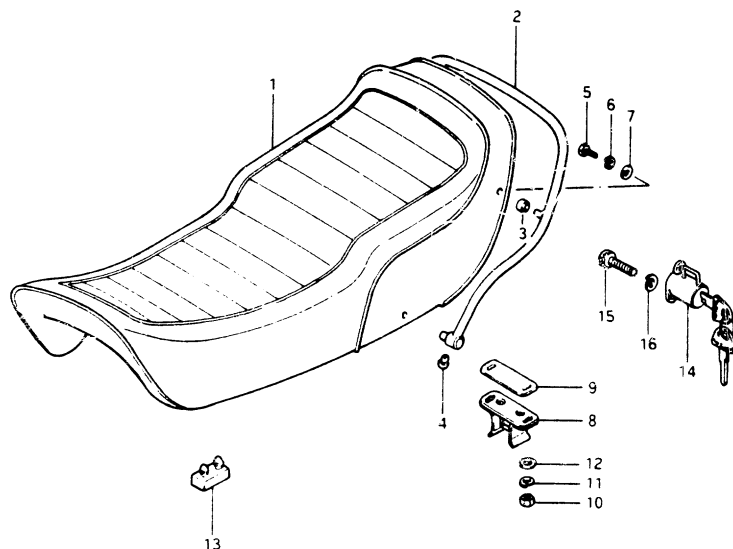
GS1100EX Revised 1 Apr., '81

G8

AIR CLEANER	C 9	CRANK COVER	B 7	FOOTREST	G 4	FRONT WHEEL	H 6	HOUSING HEADLAMP	M 5	REAR CALIPERS	L 7	SEAT	G 9	STEERING STEM	H 3
BATTERY	E 6	CRANKCASE	B 5	FRAME	G 2	FUEL COCK	G 8	LEFT HANDLE SW	M 9	REAR COMBI LAMP	F 5	SEAT TAIL COVER	G 10	TRANSMISSION	D 4
CAW CHAIN	C 5	CRANKSHAFT	C 2	FRAME COVER	G 12	FUEL TANK	G 6	MASTER CYLINDER	L 8	REAR FENDER	L 4	SIGNAL GENERATOR	E 5	TURN SIGNAL LAMP	F 3
CAM SHAFT	C 4	CYLINDER	B 4	FRONT BRAKE HOSE	M 12	GEAR SHIFTING	D 6	MUFFLER	C 10	REAR MASTER CYL	L 9	SPEEDO/TACHO	E 7	WIRING HARNESS	F 7
CARBURETOR	C 6	CYLINDER HEAD	B 3	FRONT CALIPERS	M 10	GENERATOR	E 3	OIL PUMP	B 8	REAR SWING ARM	L 2	STAND	G 3		
CHAIN CASE	L 3	CYLINDER HEAD COVER	B 2	FRONT FORK	H 2	HANDLEBAR	H 7	OPTIONAL	L 11	REAR WHEEL	L 5	STARTER CLUTCH	C 3	GS1100ET F No GS110X	500001
CLUTCH	D 2	ELECTRICAL	F 6	FRONT MASTER CYL	M 11	HEADLAMP	F 2	REAR BRAKE HOSE	L 10	RIGHT HANDLE SW	H 8	STARTING MOTOR	E 2	GS110DEX GU71A E2*00001	

FIG. 35

FIG. 35 SEAT



Ref. No.	Part No.	Description	Q'ty	Remarks
1	45100-49210-41G	SEAT (Black)	1	
2	46210-49200	-HANDLE, pillion rider	1	
3	46212-49000	-CUSHION	4	
4	46213-49000	-END, handle	2	
5	01107-08208	-BOLT	4	
6	08321-21088	-LOCK WASHER	4	
7	09322-11088	-WASHER	4	
8	45210-49201	STR:KER, seat lock	1	
9	45217-49200	SHIM	2	
10	08310-22068	NUT	2	
11	08321-21068	LOCK WASHER	2	
12	08322-21068	WASHER	2	
13	09321-08006	CUSHION	4	
14	95700-35821	LOCK ASSY, helmet	1	
15	09106-06005	BOLT	2	
16	08321-21068	LOCK WASHER	2	

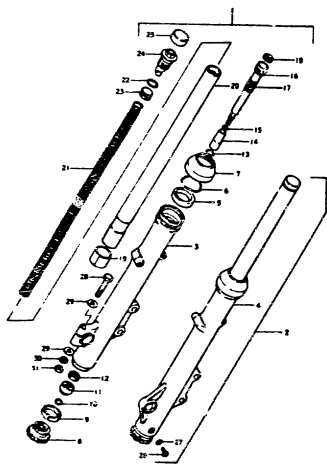
GS1100EX

GS1100EX

AIR CLEANER	C9	CRANK COVER	B7	FOOTREST	G4	FRONT WHEEL	H6	HOUSING HEADLAMP	H5	REAR CALIPERS	I7	SEAT	G9	STEERING STEM	H3
BATTERY	E6	CRANKCASE	B5	FRAME	G2	FUEL COCK	G8	LEFT HANDLE SW	H9	REAR COMBI LAMP	F5	SEAT TAIL COVER	G10	TRANSMISSION	D4
CAM CHAIN	C5	CRANKSHAFT	C2	FRAME COVER	G12	FUEL TANK	G6	MASTER CYLINDER	I8	REAR FENDER	I4	SIGNAL GENERATOR	E5	TURN SIGNAL LAMP	F3
CAM SHAFT	C4	CYLINDER	B4	FRONT BRAKE HOSE	M12	GEAR SHIFTING	D6	MUFFLER	C10	REAR MASTER CYL	I9	SPEEDO/TACHO	E7	WIRING HARNESS	F7
CARBURETOR	C6	CYLINDER HEAD	B3	FRONT CALIPERS	M10	GENERATOR	E3	OIL PUMP	B8	REAR SWING ARM	I2	STAND	G3		
CHAIN CASE	I3	CYLINDER HEAD COVER	B2	FRONT FORK	H2	HANDLEBAR	H7	OPTIONAL	I11	REAR WHEEL	I5	STARTER CLUTCH	C3	GS1100ET	F No GS110X 500001
CLUTCH	D2	ELECTRICAL	F6	FRONT MASTER CYL	H11	HEADLAMP	F2	REAR BRAKE HOSE	I10	RIGHT HANDLE SW	H8	STARTING MOTOR	E2	GS1100EX	GUTIA 82100001c

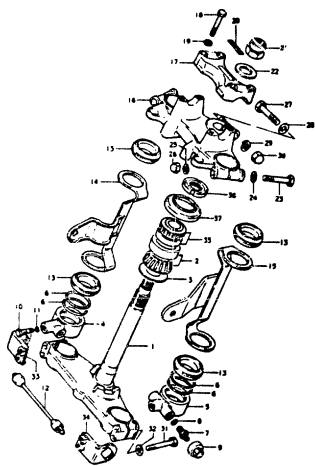
G9

FIG. 40



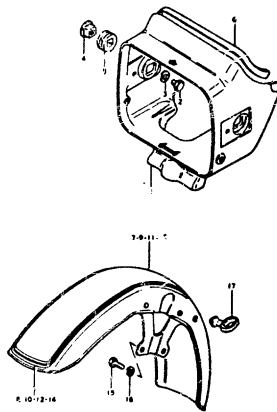
H2

FIG. 41



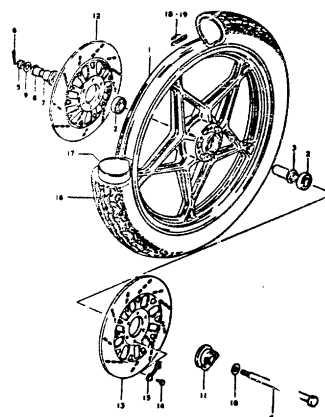
H3

FIG. 42



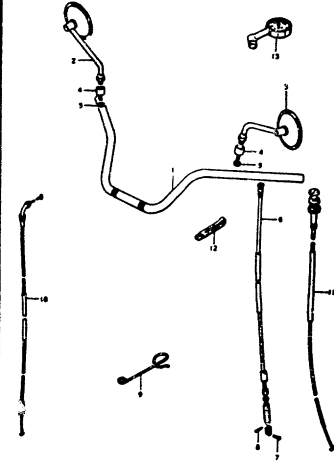
H5

FIG. 43



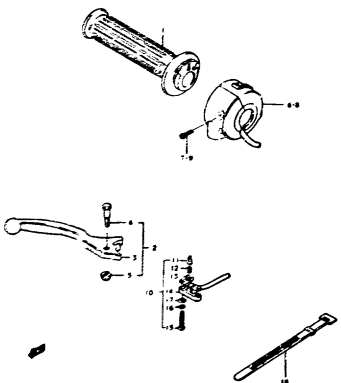
H6

FIG. 44



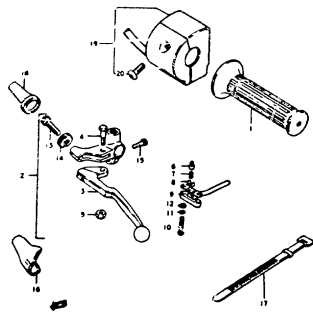
H7

FIG. 45



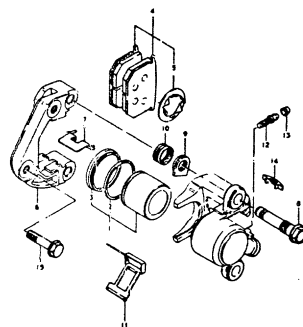
H8

FIG. 46



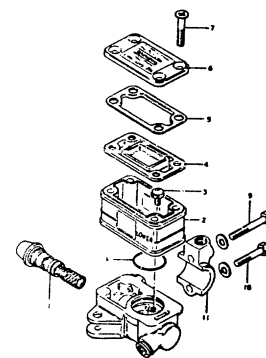
H9

FIG. 47



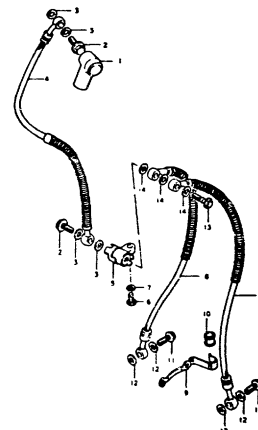
H10

FIG. 48



H11

FIG. 49



H12

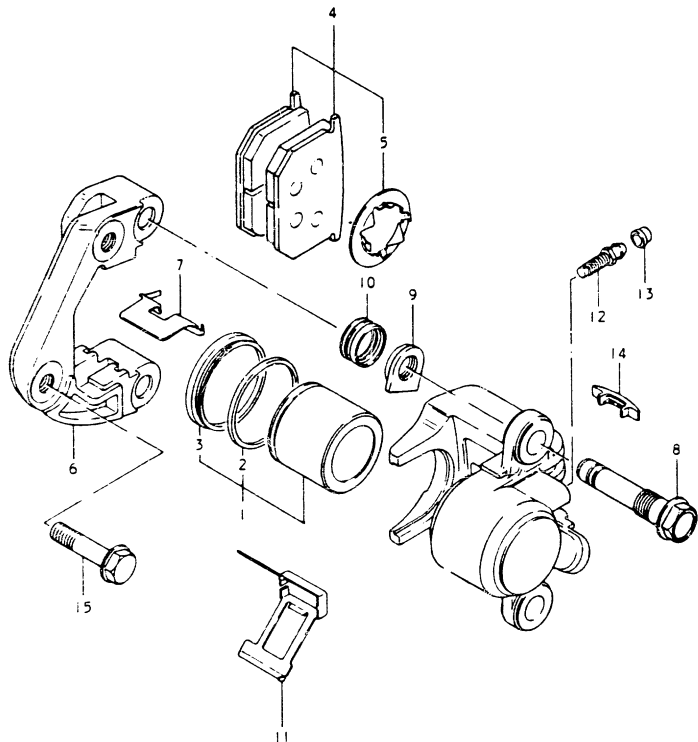
H1

AIR CLEANER	C-9	CRANK COVER	G-7	FOOTREST	G-4	FRONT WHEEL	H-5	HOUSING HEADLAMP	H-5	REAR CALIPERS	L-7	SEAT	G-9	STEERING STEM	H-3
BATTERY	E-6	CRANKCASE	B-5	FRAME	G-2	FUEL COCK	G-8	LEFT HANDLE SW.	H-9	REAR COMBL. LAMP	F-5	SEAT TAIL COVER	G-10	TRANSMISSION	D-4
CAM CHAIN	C-5	CRANK SHAFT	C-2	FRAME COVER	G-12	FUEL TANK	G-6	MASTER CYLINDER	H-8	REAR FENDER	L-4	SIGNAL GENERATOR	E-5	TURN SIGNAL LAMP	F-3
CAM SHAFT	C-4	CYLINDER	B-4	FRONT BRAKE HOSE	H-12	GEAR SHIFTING	D-6	MUFFLER	D-6	REAR MASTER CYL.	L-9	SPEEDO/TACHO.	E-7	WIRING HARNESS	F-7
CARBURETOR	C-6	CYLINDER HEAD	B-3	FRONT CALIPERS	H-10	GENERATOR	E-3	OIL PUMP	B-8	REAR SWING ARM	L-2	STAND	G-3		
CHAIN CASE	L-3	CYLINDER HEAD COVER	B-2	FRONT FORK	H-2	HANDLEBAR	H-7	OPTIONAL	L-11	REAR WHEEL	L-5	STARTER CLUTCH	C-3		
CLUTCH	D-2	ELECTRICAL	F-6	FRONT MASTER CYL.	H-11	HEADLAMP	F-2	REAR BRAKE HOSE	L-10	RIGHT HANDLE SW.	H-8	STARTING MOTOR	E-2		

 GS1100ET: F.No GS110X - 500001x
 GS1100EX: GU71A B2100001x

FIG. 47

FIG. 47 FRONT CALIPERS



Ref. No.	Part No.	Description	Q'ty	Remarks
	59100-49100	CALIPERS ASSY, RH	1	model T
	59100-49101	CALIPERS ASSY, RH	1	model X
	59300-49100	CALIPERS ASSY, LH	1	model T
	59300-49101	CALIPERS ASSY, LH	1	model X
1	59300-49810	PISTON SET	2	
2	59107-34020	SEAL, piston	2	
3	59308-49000	BOOT, piston	2	
4	59300-49820	PAD SET	2	
5	59371-49000	SHIM PAD	2	
6-1	59150-49100	HOLDER, calipers RH	1	
6-2	59350-49100	HOLDER, calipers LH	1	
7	59316-49000	GUIDE, pad	4	
8	59305-49000	ASLE, calipers	4	
9	59317-49000	NUT	4	
10	59312-49000	BOOT	4	
11	59315-49000	SPRING	2	
12	59121-47050	BREADER	2	
13	52474-60020	CAP, breader	2	
14	59324-49000	COVER	2	
15	01517-10408	BOLT	4	

GS1100EX

GS1100EX

H10

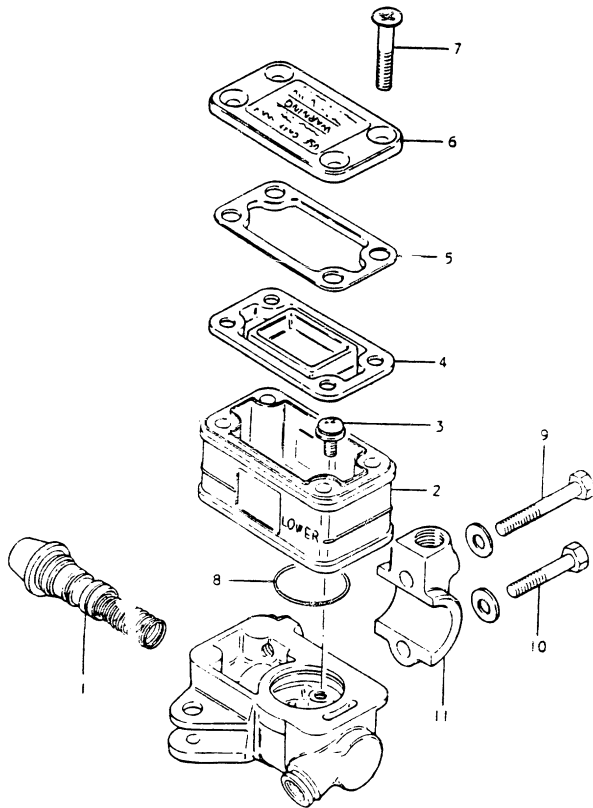
AIR CLEANER	C-9	CRANK COVER	B-1	FOOTREST	G-4	FRONT WHEEL	H-6	HOUSING HEADLAMP	H-5	REAR CALIPERS	I-7	SEAT	G-9	STEERING STEM	H-3
BATTERY	E-6	CRANKCASE	B-5	FRAME	G-2	FUEL COCK	G-8	LEFT HANDLE SW	H-9	REAR COMBI. LAMP	F-5	SEAT TAIL COVER	G-10	TRANSMISSION	D-4
CAM CHAIN	C-5	CRANKSHAFT	C-2	FRAME COVER	G-12	FUEL TANK	G-6	MASTER CYLINDER	I-8	REAR FENDER	I-4	SIGNAL GENERATOR	E-5	TURN SIGNAL LAMP	F-3
CARBURETOR	C-4	CYLINDER	B-4	FRONT BRAKE HOSE	H-12	GEAR SHIFTING	D-6	MUFFLER	C-10	REAR MASTER CYL	I-9	SPEEDO/TACHO	E-7	WIRING HARNESS	F-7
CHAIN CASE	I-3	CYLINDER HEAD COVER	B-3	FRONT CALIPERS	H-10	GENERATOR	E-3	OIL PUMP	B-8	REAR SWING ARM	I-2	STAND	G-3		
CLUTCH	D-2	ELECTRICAL	F-6	FRONT MASTER CYL	H-11	HEADLAMP	F-2	REAR BRAKE HOSE	I-10	RIGHT HANDLE SW	H-8	STARTING MOTOR	E-2		

GS1100ET: F.No.GS110X - 500001;
GS1100EX: GU71A B2100001z

FIG. 48

FIG. 48 FRONT MASTER CYLINDER

Ref. No.	Part No.	Description	Q'ty	Remarks
	59600-49030	CYLINDER ASSY, master	1	
1	59600-49810	PISTON & CUP SET	1	
2	59687-49000	RESERVOR	1	
3	59688-49000	SCREW	2	
4	59667-49000	DIAPHRAGM	1	
5	59668-49000	PLATE	1	
6	59669-49030	CAP	1	
7	59691-49000	SCREW	4	
8	59686-49000	O RING	1	
9	59694-49000	BOLT	1	
10	59693-49000	BOLT	1	
11	59671-49000	HOLDER	1	



GS1100EX

GS1100EX

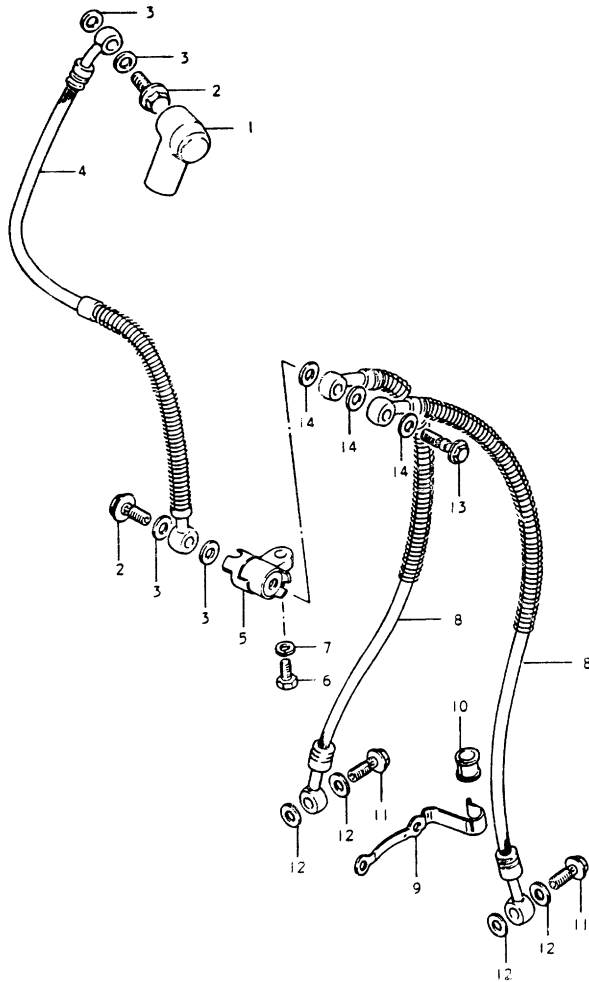
AIR CLEANER C-9	CRANK COVER B-7	FOOTREST G-4	FRONT WHEEL H-6	HOUSING HEADLAMP H-5	REAR CALIPERS I-7	SEAT J-7	STEERING STEM H-3
BATTERY E-6	CRANKCASE B-5	FRAME G-2	FUEL COCK G-8	LEFT HANDLE SW H-9	REAR COMBI. LAMP F-5	SEAT TAIL COVER G-10	TRANSMISSION D-4
CAM CHAIN C-5	CRANKSHAFT C-2	FRAME COVER G-12	FUEL TANK G-6	MASTER CYLINDER I-8	REAR FENDER I-4	SIGNAL GENERATOR E-5	TURN SIGNAL LAMP F-3
CAM SHAFT C-4	CYLINDER B-4	FRONT BRAKE HOSE H-12	GEAR SHIFTING D-6	MUFFLER E-6	REAR MASTER CYL I-9	SPEEDO/TACHO E-7	WIRING HARNESS F-7
CARBURETOR C-6	CYLINDER HEAD B-3	FRONT CALIPERS H-10	GENERATOR E-3	OIL PUMP H-7	REAR SWING ARM I-2	STAND G-3	
CHAIN CASE I-3	CYLINDER HEAD COVER B-2	FRONT FORK H-2	HANDLEBAR H-11	OPTIONAL I-11	REAR WHEEL I-5	STARTER CLUTCH C-3	GS1100ET: F.No.GS110X - 50C901c
CLUTCH D-2	ELECTRICAL F-6	FRONT MASTER CYL H-11	HEADLAMP F-2	REAR BRAKE HOSE I-10	RIGHT HANDLE SW H-8	STARTING MOTOR E-2	GS1100EX: GU71A B2100001c

H11

FIG. 49

FIG. 49 FRONT BRAKE HOSE

Q'ty



Ref. No.	Part No.	Description	Q'ty	Remarks
1	59711-49001	BOOT, master cylinder	1	
2	09360-10007	UNION BOLT	2	
3	09161-10005	GASKET	4	
4	59480-45401	HOSE, brake No.1	1	
5	59491-45000	JOINT, brake hose	1	
6	01107-06208	BOLT	1	
7	08321-21068	LOCK WASHER	1	
8	59240-49200	HOSE, brake No.2	2	
9	59268-49001	CLAMP	2	
10	59244-49000	BUSHING	2	
11	09360-10007	UNION BOLT	2	
12	09161-10005	GASKET	4	
13	09360-10008	UNION BOLT	1	
14	09161-10005	GASKET	3	

GS1100EX

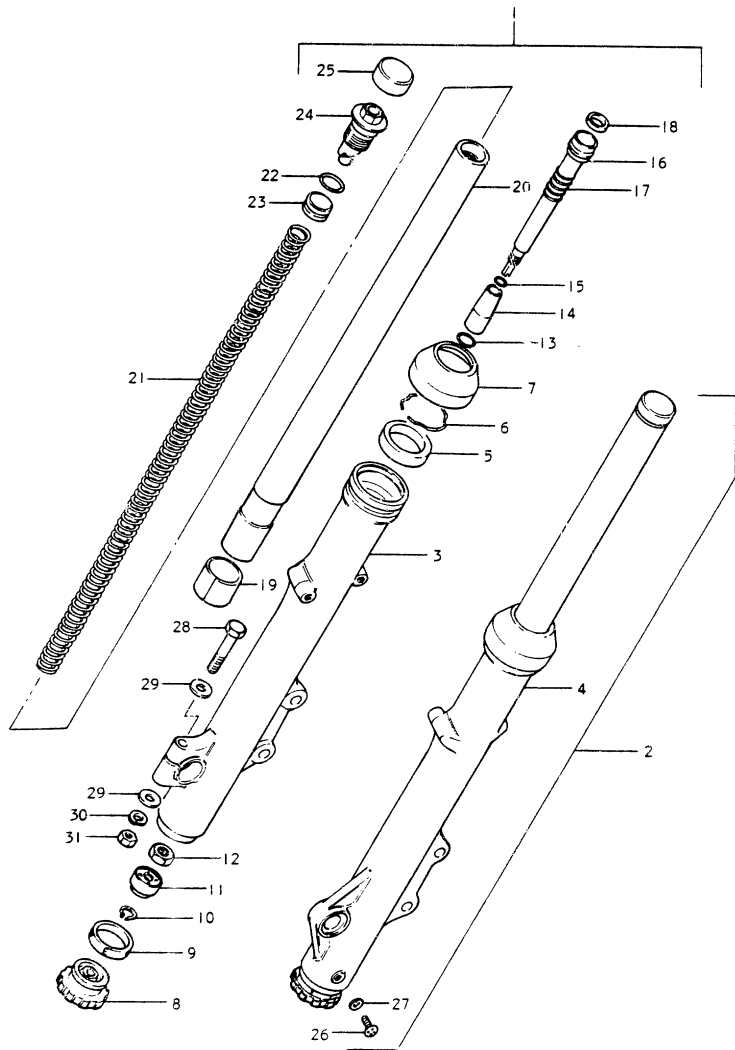
GS1100EX

H12

AIR CLEANER..... C-9	CHANK COVER..... B-7	FRONT WHEEL..... H-6	HOUSING HEADLAMP..... H-6	REAR CALIPERS..... I-7	SEAT..... H-3
BATTERY..... E-6	CRANKCASE..... B-5	FUEL COCK..... G-2	LEFT HANDLE SW..... H-9	REAR COMBI. LAMP..... H-5	SEAT TAIL COVER..... B-10
CAM CHAIN..... C-5	CRANKSHAFT..... C-2	FUEL TANK..... G-6	MASTER CYLINDER..... D-6	REAR FENDER..... I-4	TRANSMISSION..... D-4
CAM SHAFT..... C-4	FRONT BRAKE HOSE..... H-12	GEAR SHIFTING..... H-12	MUFFLER..... D-6	REAR MASTER CYL..... C-10	TURN SIGNAL LAMP..... F-3
CARBURETOR..... C-8	CYLINDER..... B-3	GENERATOR..... H-10	OIL PUMP..... E-3	REAR SWING ARM..... I-2	WIRING HARNESS..... F-7
CHAIN CASE..... I-3	CYLINDER HEAD COVER..... B-2	FRONT CALIPERS..... H-12	OPTIONAL..... H-7	REAR WHEEL..... I-1	
CLUTCH..... D-2	ELECTRICAL..... F-6	FRONT MASTER CYL..... H-11	REAR BRAKE HOSE..... F-2	RIGHT HANDLE SW..... H-3	
					STARTER CLUTCH..... C-3
					STARTING MOTOR..... E-2

*GS1100EX: F.No.GS110X - 500001t
GS1100EX. GU71A B2100001t

FIG. 40



GS1100EX

FIG. 40 FRONT FORK

Ref. No.	Part No.	Description	Q'ty	Remarks
1	51103-49200	DAMPER ASSY, RH	1	
2	51104-49200	DAMPER ASSY, LH	1	
3	51130-49200	·OUTER TUBE, RH	1	
4	51140-49200	·OUTER TUBE, LH	1	
5	51153-49000	··OIL SEAL	2	
6	51156-40301	··RING, oil seal stopper	2	
7	51173-49002	··DUST SEAL	2	
8	51286-49200	·HANDLE	2	
9	51287-49200	·RING	2	
10	51285-49200	·CIRCLIP	2	
11	51284-49200	·DETENT	2	
12	51147-49200	·NUT	2	
13	51148-49200	·O RING	2	
14	51195-49200	·PIECE, oil lock	2	
15	51199-49200	·O RING	2	
16	51146-49200	·CYLINDER	2	
17	51177-49200	··SPRING	2	
18	51196-49000	··RING, piston	2	
19	51121-49200	·SLIDE METAL	2	
20	51110-49200	·INNER TUBE	2	
21	51171-49200	·SPRING	2	
22	51117-45110	·O RING	2	
23	51172-45110	·FREE PISTON	2	
24	51351-49200	·CAP	2	
25	51189-45110	·CAP	2	
26	02112-04088	·SCREW	2	
27	51183-03010	·GASKET	2	
28	01107-08508	·BOLT	1	
29	08322-21088	·WASHER	2	
30	08321-31088	·LOCK WASHER	1	
31	08310-12088	·NUT	1	

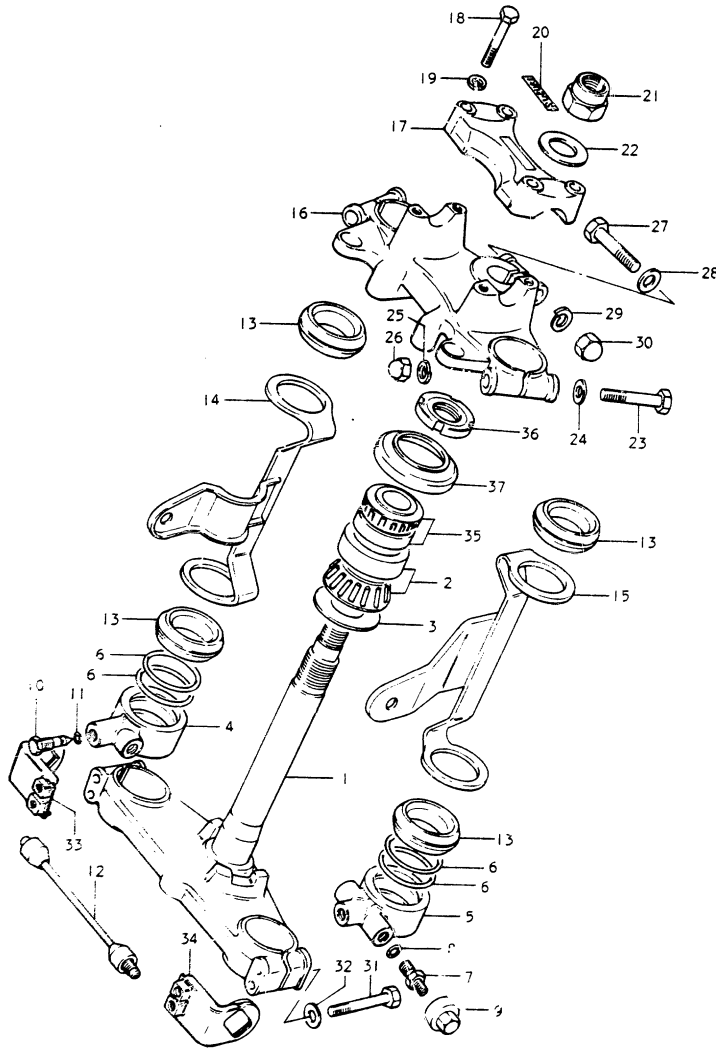
GS1100EX

H2

AIR CLEANER . . . C-9	CRANK COVER . . . B-7	FOOTREST . . . G-4	FRONT WHEEL . . . H-6	HOUSING HEADLAMP . . . H-5	REAR CALIPERS . . . I-7	SEAT . . . G-9	STEERING STEM . . . H-3
BATTERY . . . E-6	CRANKCASE . . . C-5	FRAME . . . C-4	FUEL COCK . . . G-2	LEFT HANDLE SW . . . H-9	REAR COMBI. LAMP . . . F-5	SEAT TAIL COVER . . . G-10	TRANSMISSION . . . D-4
CAM CHAIN . . . C-5	CRANKSHAFT . . . C-2	FRAME COVER . . . C-5	G-12 FUEL TANK . . . G-6	MASTER CYLINDER . . . L-8	REAR FENDER . . . L-4	SIGNAL GENERATOR . . . E-5	TURN SIGNAL LAMP . . . F-3
CAM SHAFT . . . C-4	CYLINDER . . . B-4	FRONT BRAKE HOSE . . . H-12	GEAR SHIFTING . . . D-6	MUFFLER . . . C-10	REAR MASTER CYL . . . I-9	SPEEDO/TACHO . . . E-7	WIRING HARNESS . . . F-7
CARBURETOR . . . C-6	CYLINDER HEAD . . . B-3	FRONT CALIPERS . . . H-10	GENERATOR . . . E-3	OIL PUMP . . . B-8	REAR SWING ARM . . . I-2	STAND . . . G-3	
CHAIN CASE . . . I-3	CYLINDER HEAD COVER . . . B-2	HANDLEBAR . . . H-2	OPTIONAL . . . H-7	REAR WHEEL . . . I-5	STARTER CLUTCH . . . C-3	GS1100ET: F.No.GS110X - 50001s	
CLUTCH . . . D-2	ELECTRICAL . . . F-6	FRONT MASTER CYL . . . H-11	HEADLAMP . . . F-2	REAR BRAKE HOSE . . . I-10	RIGHT HANDLE SW . . . H-8	STARTING MOTOR . . . E-2	GS1100EX: GU71A 8210001s

FIG. 41

FIG. 41 STEERING STEM



Ref. No.	Part No.	Description	Q'ty	Remarks
1	51410-49130-291	STEERING STEM	1	
2	09265-30005	BEARING, lower	1	
3	08211-30402	WASHER	1	
4	51431-49200-291	BRACKET RH	1	
5	51432-49200-291	BRACKET LH	1	
6	51436-49200	O RING	4	
7	51293-49001	VALVE	1	
8	51117-41211	O RING	1	
9	51294-49000	CAP	1	
10	51434-49200	STOP VALVE	2	
11	51435-49200	O RING	2	
12	51433-49200	HOSE	1	
13	51553-49000	GASKET	4	
14	51530-49200-291	BRACKET, head lamp RH	1	
15	51540-49200-291	BRACKET, head lamp LH	1	
16	51311-49100-291	STEM HEAD, steering	1	
17	56211-49200-291	HOLDER, handle	1	
18	01204-08357	BOLT	4	
19	08321-21088	LOCK WASHER	4	
20	56212-45400	EMBLEM	1	

GS1100EX

GS1100EX

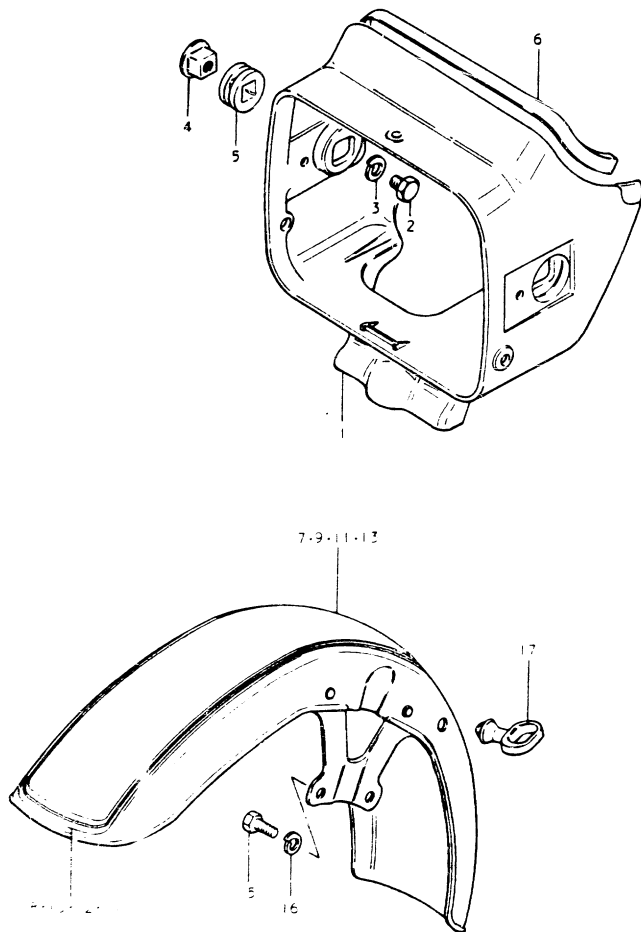
AIR CLEANER	C-9	CRANK COVER	B-7	FOOTREST	G-4	FRONT WHEEL	H-6	HOUSING HEADLAMP	H-5	REAR CALIPERS	L-7	SEAT	G-9	STEERING STEM	H-3
BATTERY	E-8	CRANKCASE	B-5	FRAME	G-2	FUEL COCK	G-8	LEFT HANDLE SW.	H-9	REAR COMBI. LAMP	F-5	SEAT TAIL COVER	G-10	TRANSMISSION	H-3
CAM CHAIN	C-5	CRANKSHAFT	C-2	FRAME COVER	G-12	FUEL TANK	G-6	MASTER CYLINDER	F-8	REAR FENDER	L-4	SIGNAL GENERATOR	E-5	TURN SIGNAL LAMP	F-3
CAM SHAFT	C-4	CYLINDER	B-4	FRONT BRAKE HOSE	H-12	GEAR SHIFTING	D-6	MUFFLER	E-3	REAR MASTER CYL.	C-10	SPEEDO/TACHO	E-7	WIRING HARNESS	F-7
CARBURETOR	C-6	CYLINDER HEAD	B-3	FRONT CALIPERS	H-10	GENERATOR	E-3	OIL PUMP	H-7	REAR SWING ARM	B-8	STARTER CLUTCH	L-5		
CHAIN CASE	F-3	CYLINDER HEAD COVER	B-2	FRONT FORK	H-2	HANDLEBAR	H-2	OPTIONAL	H-7	REAR WHEEL	L-11	STARTING MOTOR	E-2		
CLUTCH	D-2	ELECTRICAL	F-6	FRONT MASTER CYL.	H-11	HEADLAMP	F-2	REAR BRAKE HOSE	L-10	RIGHT HANDLE SW.	H-8				

H3

GS1100ET F No GS110X - 500001
GS1100EX GU7-A B2109001

FIG.42

FIG.42 HOUSING HEADLAMP - FRONT FENDER



Ref. No.	Part No.	Description	Q'ty	Remarks
1-1	51811-49200-737	HOUSING, headlamp (Silver)	1	model T
1-2	51811-49200-05L	HOUSING, headlamp (Maroon)	1	model T
1-3	51811-49201-03E	HOUSING, headlamp (Black)	1	model X
1-4	51811-49201-08D	HOUSING, headlamp (Blue)	1	model X
2	09100-08067	BOLT	2	
3	08321-21088	LOCK WASHER	2	
4	51821-29001	SPACER	2	
5	51827-49200	CUSHION	2	
6-1	51843-49200	MOULDING	1	model T
6-2	51843-49201	MOULDING	1	model X
7	53100-45400-05L	FENDER, front (Maroon)	1	
8	68150-49210-72B	-TAPE	2	model T
9	53100-45820-737	FENDER, front (Silver)	1	
10	68150-49210-72D	-TAPE	2	
11	53100-49200-08E	FENDER, front (Black)	1	
12	68150-49211-75F	-TAPE	1	model X
13	53100-49200-08D	FENDER, front (Blue)	1	
14	68150-49211-75C	-TAPE	1	
15	01107-08168	BOLT	4	
16	08321-21088	LOCK WASHER	4	
17	58621-21203	GUIDE, cable	1	

GS1100EX

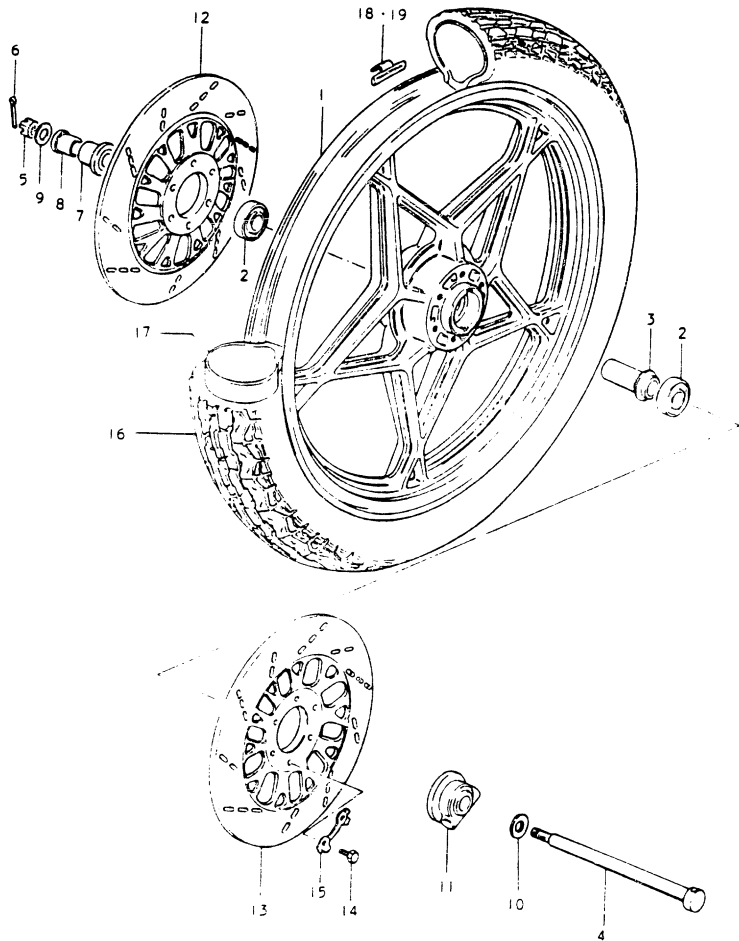
GS1100EX

AIR CLEANER	C-9	CRANK COVER	B-7	FOOTREST	G-4	FRONT WHEEL	H-6	HOUSING HEADLAMP	H-5	REAR CALIPERS	I-7	SEAT	G-9	STEERING STEM	H-3	
BATTERY	E-6	CRANKCASE	B-5	FRAME	G-2	FUEL COCK	H-8	LEFT HANDLE SW.	H-9	REAR COMBI LAMP	F-6	SEAT TAIL COVER	G-10	TRANSMISSION	D-4	
CAM CHAIN	C-5	CRANKSHAFT	C-2	FRAME COVER	G-12	FUEL TANK	G-6	MASTER CYLINDER	C-10	REAR FENDER	I-4	SIGNAL GENERATOR	E-5	TURN SIGNAL LAMP	F-3	
CAM SHAFT	C-4	CYLINDER	B-4	FRONT BRAKE HOSE	H-12	GEAR SHIFTING	D-6	MUFFLER	E-3	OIL PUMP	I-9	SPEEDO/TACHO	F-7	WIRING HARNESS	F-7	
CARBURETOR	C-6	CYLINDER HEAD	B-3	FRONT CALIPERS	H-10	GENERATOR	H-7	OPTIONAL	B-8	REAR SWING ARM	I-2	STAND	G-3			
CHAIN CASE	I-3	CYLINDER HEAD COVER	B-2	FRONT FORK	H-2	HANDLEBAR	H-11	HEADLAMP	I-11	REAR WHEEL	I-5	STARTER CLUTCH	C-3	GS1100ET F.No.GS110X - 500001		
CLUTCH	D-2	ELECTRICAL	F-6	FRONT MASTER CYL.	F-6	FRONT MASTER CYL.	H-11	HEADLAMP	F-2	REAR BRAKE HOSE	I-10	RIGHT HANDLE SW	H-8	STARTING MOTOR	E-2	GS1100EX GU71A B2100001

H5

FIG. 43

FIG. 43 FRONT WHEEL



Ref. No.	Part No.	Description	Q'ty	Remarks
1	54111-47604	WHEEL, front (1.85x19)	1	
2	08123-63027	BEARING	2	
3	54730-18400	SPACER	1	
4	54711-49000	AXLE, front	1	
5	08314-31128	NUT	1	
6	04111-30308	COTTER PIN	1	
7	54740-18402	SPACER, bearing RH	1	
8	54741-49101	SPACER, axle RH	1	
9	08322-21128	WASHER	1	
10	09160-15002	WASHER	1	
11	54600-49100	BOX, speedometer gear	1	
12	59211-45250	DISK, front brake RH	1	
13	59221-45250	DISK, front brake LH	1	
14	09100-08140	BOLT	12	
15	09169-08016	WASHER	6	
16	55100-49230	TIRE (3.50V19)	1	
17	55200-15010	TUBE, inner (2.50V19)	1	
18	55411-45100	BALANCER (20g)	AR(0~3)	
19	55412-45100	BALANCER (30g)	AR(0~3)	

GS1100EX

GS1100EX

AIR CLEANER	C-9	CRANK COVER	B-7	FRONT WHEEL	H-6	HOUSING HEADLAMP	H-5	REAR CALIPERS	I-7	SEAT	H-3
BATTERY	E-6	CRANKCASE	B-5	FRAME	G-2	FUEL COCK	H-9	REAR COMBI. LAMP	F-5	SEAT TAIL COVER	D-4
CAM CHAIN	C-5	CRANKSHAFT	C-2	FRAME COVER	G-12	FUEL TANK	G-6	REAR FENDER	H-8	SIGNAL GENERATOR	F-4
CAM SHAFT	C-4	CYLINDER	B-4	FRONT BRAKE HOSE	H-12	GEAR SHIFTING	D-6	REAR MASTER CYL	C-10	REAR MASTER CYL	E-5
CARBURETOR	C-6	CYLINDER HEAD	B-3	FRONT CALIPERS	H-10	GENERATOR	E-3	REAR SWING ARM	G-8	REAR SWING ARM	F-7
CHAIN CASE	I-3	CYLINDER HEAD COVER	B-2	FRONT FORK	H-2	HANDLEBAR	H-7	REAR WHEEL	I-2	STAND	G-3
CLUTCH	D-2	ELECTRICAL	F-6	FRONT MASTER CYL	H-11	HEADLAMP	F-2	REAR BRAKE HOSE	I-10	STARTER CLUTCH	C-3
										STARTING MOTOR	E-2

H6

GS1100E1 F No GS110X - 500001e
GS1100EX GU71A 82106001e

FIG. 44

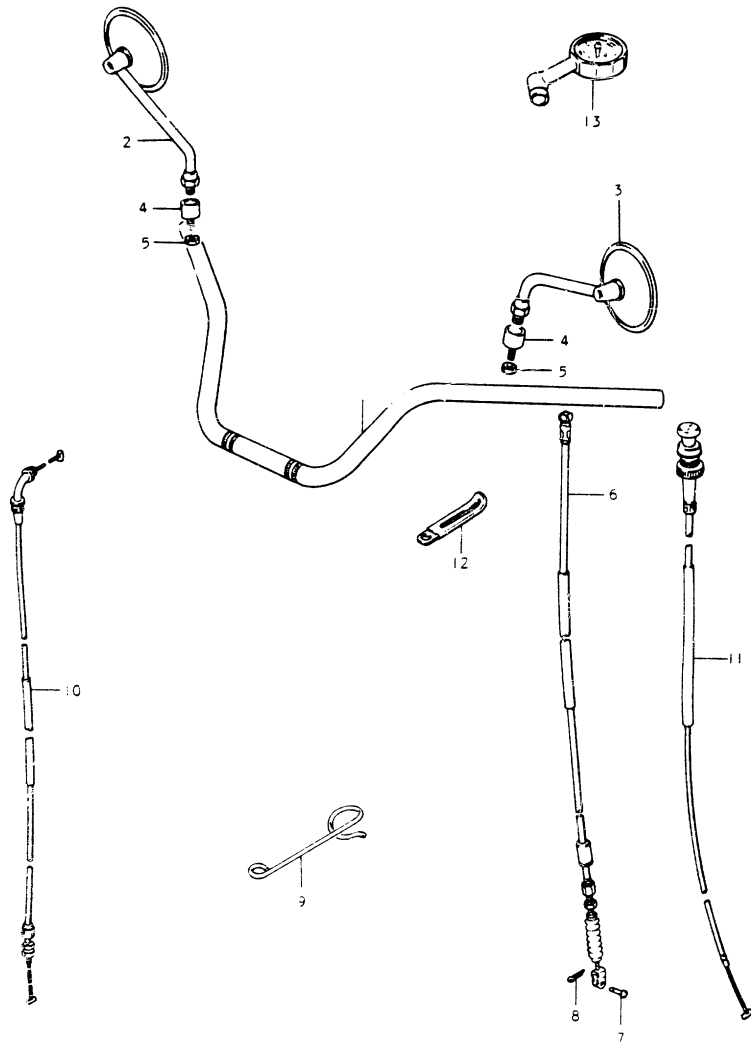


FIG. 44 HANDLEBAR - FRONT FENDER

Ref. No.	Part No.	Description	Q'ty	Remarks
1	56110-45110	HANDLEBAR	1	
2	56500-45100	MIRROR, rear view RH	1	
3	56600-45100	MIRROR, rear view LH	1	
4	56700-31001	CUSHION, rear view mirror	2	
5	08310-22108	NUT	2	
6	58200-45400	CABLE, clutch	1	
7	09200-06011	PIN	1	
8	04111-20158	COTTER PIN	1	
9	58626-45100	GUIDE	1	
10	58300-45400	CABLE, throttle	1	
11	58400-45110	CABLE, starter	1	
12	09404-06403	CLAMP	1	
13	96200-41330	GAUGE, front fork air	1	

GS110EX

GS1100EX

AIR CLEANER	C-9	CRANK COVER	B-7	FOOTREST	G-4	FRONT WHEEL	H-6	HOUSING HEADLAMP	H-5	REAR CALIPERS	I-7	SEAT	G-9	STEERING STEM	H-3
BATTERY	E-6	CRANKCASE	B-5	FRAME	G-2	FUEL COCK	G-8	LEFT HANDLE SW	H-9	REAR COMBL. LAMP	F-5	SEAT TAIL COVER	G-10	TRANSMISSION	D-4
CAM CHAIN	C-5	CRANKSHAFT	C-2	FRAME COVER	G-12	FUEL TANK	G-6	MASTER CYLINDER	I-8	REAR FENDER	L-4	SIGNAL GENERATOR	E-5	TURN SIGNAL LAMP	F-3
CAM SHAFT	C-4	CYLINDER	B-4	FRONT BRAKE HOSE	H-12	GEAR SHIFTING	D-6	MUFFLER	C-10	REAR MASTER CYL	I-9	SPEEDO/TACHO	E-7	WIRING HARNESS	F-7
CARBURETOR	C-6	CYLINDER HEAD	B-3	FRONT CALIPERS	H-10	GENERATOR	E-3	OIL PUMP	B-8	REAR SWING ARM	I-2	STAND	G-3		
CHAIN CASE	I-3	CYLINDER HEAD COVER	B-2	FRONT FORK	H-2	HANDLEBAR	H-7	OPTIONAL	I-11	REAR WHEEL	I-5	STARTER CLUTCH	C-3	STARTING MOTOR	E-2
CLUTCH	D-2	ELECTRICAL	F-6	FRONT MASTER CYL	H-11	HEADLAMP	F-2	REAR BRAKE HOSE	I-10	RIGHT HANDLE SW	H-8				

H7

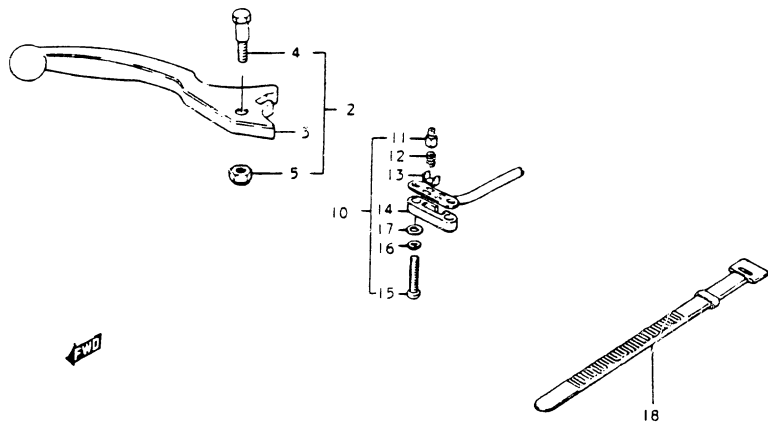
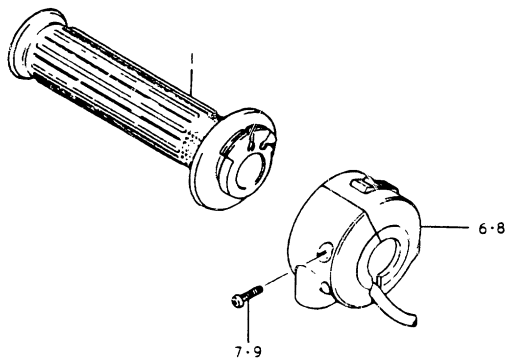
GS1100ET F.No.GS110X - 500001
GS1100EX GUTIA B210001c

FIG. 45

FIG. 45 RIGHT HANDLE SWITCH

Q'ty

Ref. No.	Part No.	Description	Q'ty	Remarks
1	57110-44011	GRIP, throttle	1	
2	57300-49101	LEVER ASSY, brake	1	
3	57420-49101	LEVER, brake	1	
4	57431-18621	BOLT	1	
5	08319-21068	NUT	1	
6	37200-49230	SWITCH ASSY, handle RH	1	
7	37591-49210	SCREW	2	
8	37200-49210	SWITCH ASSY, handle RH	1	OPT
9	37591-49210	SCREW	2	
10	57460-49100	SWITCH ASSY, stop	1	
11	57461-18600	HOLDER	1	
12	57462-18600	SPRING	1	
13	57463-18600	PLATE	1	
14	57481-33010	COVER	1	
15	09125-03105	SCREW	2	
16	08321-21038	LOCK WASHER	2	
17	08322-21038	WASHER	2	
18	09407-12402	BAND (L:120)	2	



GS1100EX

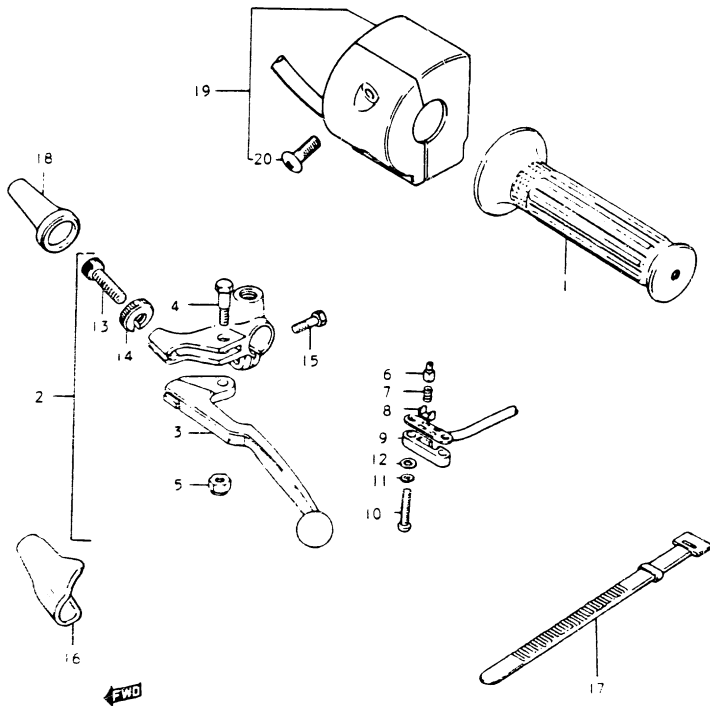
GS1100EX

AIR CLEANER C 9	CRANK COVER B 7	FOOTREST G 4	FRONT WHEEL H 6	HOUSING HEADLAMP H 5	REAR CALIPERS I 7	SEAT H 3	STEERING STEM H 3
BATTERY E 6	CRANKCASE B 5	FRAME G 2	FUEL COCK G 8	LEFT HANDLE SW H 9	REAR COMBL LAMP F 5	SEAT TAIL COVER D 4	TRANSMISSION D 4
CAM CHAIN C 5	CRANKSHAFT C 2	FRAME COVER C 2	FUEL TANK G 12	MASTER CYLINDER G 6	REAR FENDER F 8	SIGNAL GENERATOR F 3	TURN SIGNAL LAMP F 3
CAM SHAFT C 4	CYLINDER B 4	FRONT BRAKE HOSE H 12	GEAR SHIFTING D 6	MUFFLER C 10	REAR MASTER CYL C 10	SPEEDO/TACHO E 7	WIRING HARNESS F 7
CARBURETOR C 6	CYLINDER HEAD B 3	FRONT CALIPERS H 10	GENERATOR E 3	OIL PUMP H 7	REAR SWING ARM B 8	STAND G 3	
CHAIN CASE I 3	CYLINDER HEAD COVER B 2	FRONT FORK H 2	HANDLEBAR H 2	OPTIONAL H 7	REAR WHEEL I 11	STARTER CLUTCH C 3	GS1100ET F No GS116X - 500001
CLUTCH D 2	ELECTRICAL F 6	FRONT MASTER CYL H 11	HEADLAMP F 2	REAR BRAKE HOSE I 10	RIGHT HANDLE SW H 8	STARTING MOTOR E 2	CS1100EX, GU71A B2160001

H8

FIG. 46

FIG. 46 LEFT HANDLE SWITCH



Ref. No.	Part No.	Description	Q'ty	Remarks
1	57211-45010	GRIP, LH	1	
2	57500-49111	LEVER ASSY, clutch	1	
3	57620-49111	LEVER, clutch	1	
4	57431-11011	BOLT, lever	1	
5	08319-21068	NUT	1	
6	57461-18600	HOLDER	1	
7	57462-18600	SPRING	1	
8	57463-18600	CONTACT	1	
9	57481-33010	COVER	1	
10	09125-03105	SCREW	2	
11	08321-21038	LOCK WASHER	2	
12	08322-21038	WASHER	2	
13	57441-11010	ADJUSTER, cable	1	
14	57442-11010	NUT	1	
15	57451-49100	BOLT	1	
16	57661-31000	COVER	1	
17	09407-12402	BAND (120)	2	
18	58273-31000	BOOT	1	
19	37400-49230	SWITCH ASSY, handle LH	1	
20	02112-05165	SCREW	2	

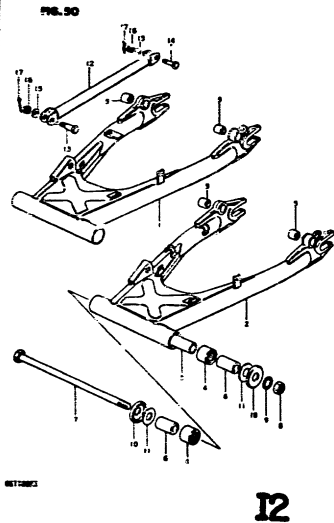
GS1100EX

GS1100EX

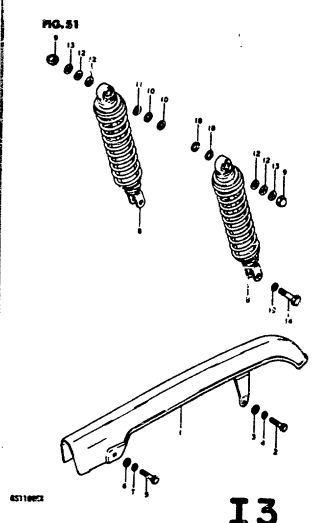
AIR CLEANER	C-9	CRANK COVER	B-7	FOOTREST	G-4	FRONT WHEEL	H-6	HOUSING HEADLAMP	H-5	REAR CALIPERS	I-7	SEAT	G-8	STEERING STEM	H-3
BATTERY	E-6	CRANKCASE	B-5	FRAME	G-2	FUEL COCK	G-8	LEFT HANDLE SW	H-9	REAR COMBI. LAMP	F-5	SEAT TAIL COVER	G-10	TRANSMISSION	D-4
CHAIN	C-5	CRANKSHAFT	C-2	FRAME COVER	G-12	FUEL TANK	G-6	MASTER CYLINDER	C-10	REAR FENDER	I-4	SIGNAL GENERATOR	E-5	TURN SIGNAL LAMP	F-3
CHAIN SHAFT	C-4	CYLINDER	B-4	FRONT BRAKE HOSE	H-12	GEAR SHIFTING	D-6	MUFFLER	B-8	REAR MASTER CYL	I-8	SPEEDO/TACHO	E-7	WIRING HARNESS	F-7
CARBURETOR	C-6	CYLINDER HEAD	B-3	FRONT CALIPERS	H-10	GENERATOR	E-3	OIL PUMP	E-3	REAR SWING ARM	I-2	STAND	G-3		
CHAIN CASE	I-3	CYLINDER HEAD COVER	B-2	FRONT FORK	H-2	HANDLEBAR	H-7	OPTIONAL	I-11	REAR WHEEL	I-10	STARTER CLUTCH	C-3		
CLUTCH	D-2	ELECTRICAL	F-6	FRONT MASTER CYL	H-11	HEADLAMP	F-2	REAR BRAKE HOSE	I-10	RIGHT HANDLE SW	H-8	STARTING MOTOR	E-2		

H9

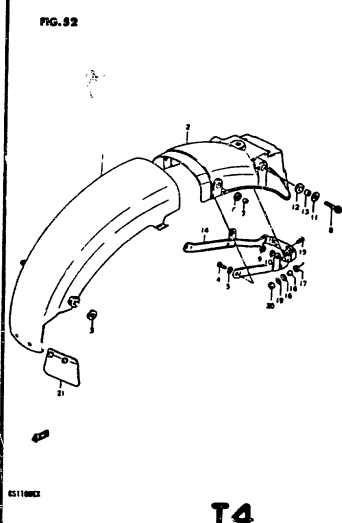
GS1100ET F.No.GS110X 500001
GS1100EX G.U71A BZ10001c



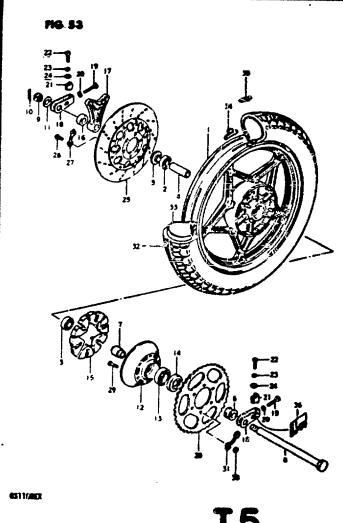
I2



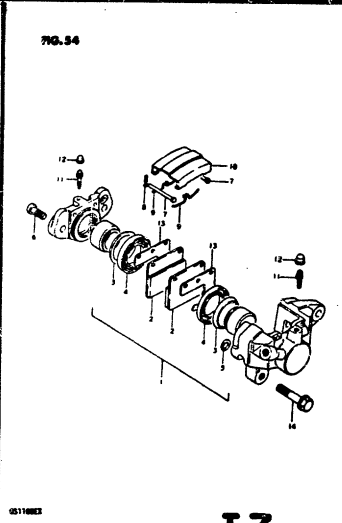
I3



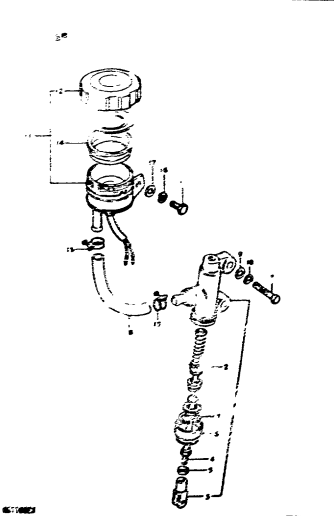
I4



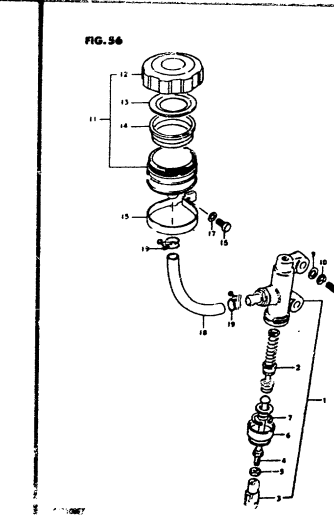
I5



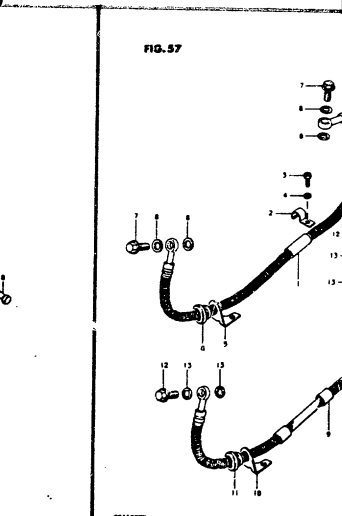
I7



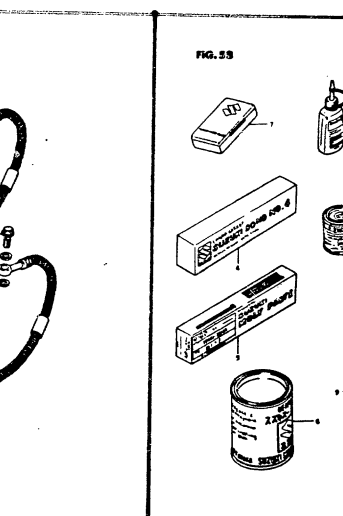
I8



I9



I10



I11

AIR CLEANER..... C-9	CRANK COVER..... B-7	COOLREST..... G-4	FRONT WHEEL..... H-6	HOUSING HEADLAMP..... H-5	REAR CALIPERS..... I-7	SEAT..... G-9	STEERING STEM..... H-3
BATTERY..... E-6	CRANKCASE..... B-5	FRAME..... G-2	FUEL COCK..... G-8	LEFT HANDLE SW..... H-9	REAR COMBL. LAMP..... F-5	SEAT TAIL COVER..... G-10	TRANSMISSION..... D-4
CAM CHAIN..... C-5	CRANKSHAFT..... C-2	FRAME COVER..... G-12	FUEL TANK..... G-6	MASTER CYLINDER..... I-8	REAR FENDER..... I-4	SIGNAL GENERATOR..... E-5	TURN SIGNAL LAMP..... F-3
CAM SHAFT..... C-4	CYLINDER..... B-4	FRONT BRAKE HOSE..... H-12	GEAR SHIFTING..... D-6	MUFFLER..... C-10	REAR MASTER CYL..... B-8	SPEED/O/TACHO..... E-7	WIRING HARNESS..... F-7
CARBURETOR..... C-6	CYLINDER HEAD..... B-3	FRONT CALIPERS..... H-10	GENERATOR..... E-3	OIL PUMP..... B-8	REAR SWING ARM..... I-2	STAND..... G-3	
CHAIN CASE..... I-3	CYLINDER HEAD COVER..... B-2	FRONT FORK..... H-2	HANDLEBAR..... H-7	OPTIONAL..... H-7	REAR WHEEL..... I-5	STARTER CLUTCH..... C-3	GS1100ET: F.No.GS110X - 500001 ²
CLUTCH..... D-2	ELECTRICAL..... F-6	FRONT MASTER CYL..... H-11	HEADLAMP..... F-2	REAR BRAKE HOSE..... I-10	RIGHT HANDLE SW..... H-8	STARTING MOTOR..... E-2	GS1100EX: G.U71A B2100001 ²

FIG. 57

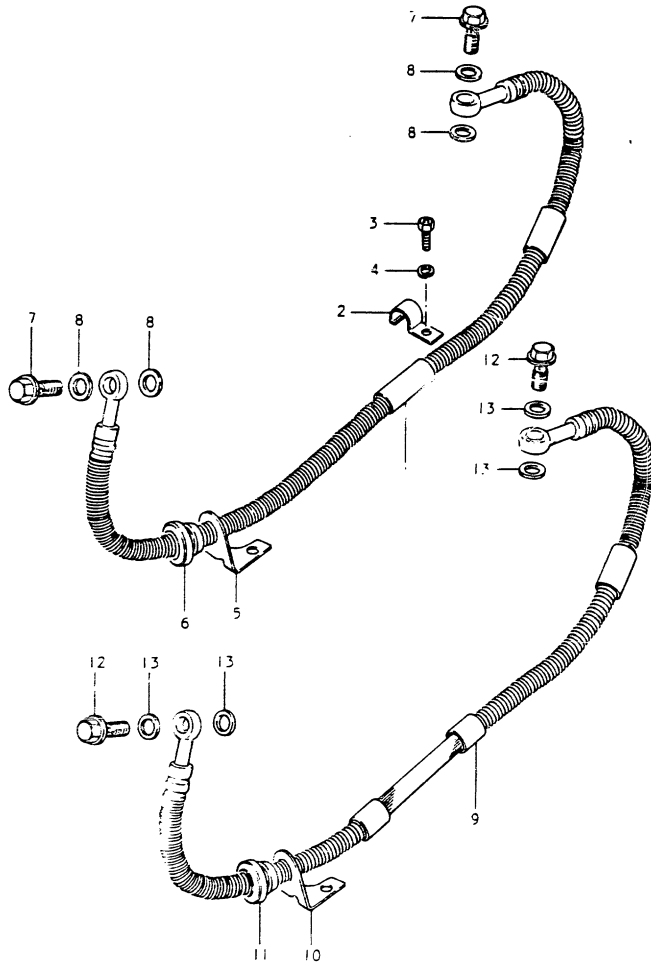


FIG. 57 REAR BRAKE HOSE

Ref. No.	Part No.	Description	Q'ty	Remarks
1	69480-49002	HOSE, rear brake No.1	1	model T, for 61100-49820
2	69268-49000	CLAMP	1	
3	09128-06013	BOLT	1	
4	08321-21068	LOCK WASHER	1	
5	69243-47000	GUIDE, brake hose	1	
6	59244-36200	GROMMET, hose guide	1	
7	09360-10007	UNION BOLT	2	
8	09161-10005	GASKET	4	
9	69480-49003	HOSE, rear brake No.1	1	model T, X for 61100-49821
10	69243-47000	GUIDE, brake hose	1	
11	59244-36200	GROMMET, hose guide	1	
12	09360-10007	UNION BOLT	2	
13	09161-10005	GASKET	4	

GS1100EX

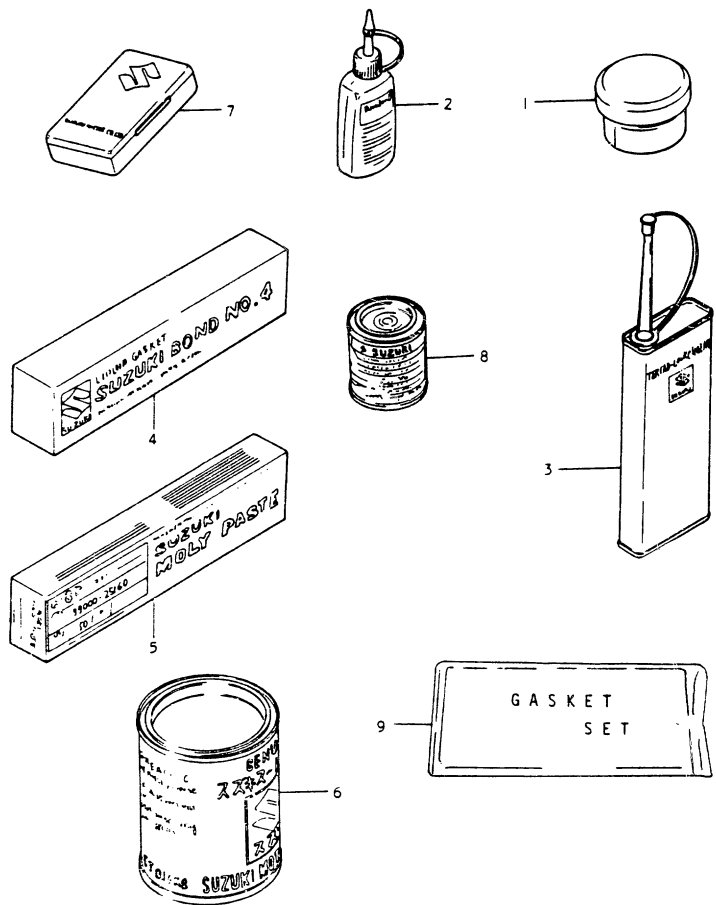
GS1100EX

AIR CLEANER C-9	CRANK COVER B-7	FOOT/REST G-4	FRONT WHEEL H-6	HOUSING HEADLAMP H-5	REAR CALIPERS I-7	SEAT G-9	STEERING STEM H-3
BATTERY E-6	CRANKCASE B-5	FRAME G-2	FUEL COCK G-8	LEFT HANDLE SW H-9	REAR COMBI. LAMP F-5	SEAT TAIL COVER G-10	TRANSMISSION D-4
CAM CHAIN C-5	CRANKSHAFT C-2	FRAME COVER G-12	FUEL TANK G-6	MASTER CYLINDER I-8	REAR FENDER I-4	SIGNAL GENERATOR E-5	TURN SIGNAL LAMP F-3
CAM SHAFT C-4	CYLINDER B-4	FRONT BRAKE HOSE H-12	GEAR SHIFTING D-6	MUFFLER E-6	C-10	REAR MASTER CYL I-9	SPEEDO/TACHO E-7
CARBURETOR C-6	CYLINDER HEAD B-3	FRONT CALIPERS H-10	GENERATOR E-3	OIL PUMP E-7	REAR SWING ARM I-2	STAND G-3	WIRING HARNESS F-8
CHAIN CASE I-3	CYLINDER HEAD COVER B-2	FRONT FORK H-2	HANDLEBAR H-7	OPTIONAL I-11	REAR WHEEL I-10	STARTER CLUTCH C-3	
CLUTCH D-2	ELECTRICAL F-6	FRONT MASTER CYL H-11	HEADLAMP F-2	REAR BRAKE HOSE I-1	RIGHT HANDLE SW H-8	STARTING MOTOR F-2	

GS1100ET F.No.GS110X - 500001;
GS1100EX: GU71A BZ100001;

FIG. 58

FIG. 58 OPTIONAL



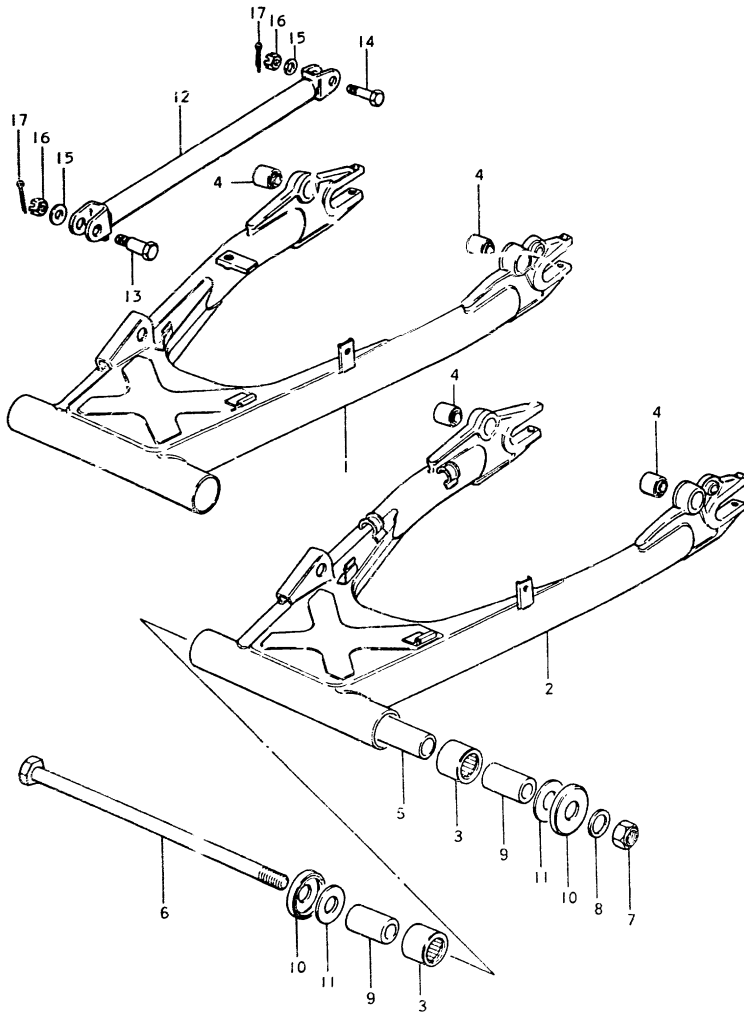
Ref. No.	Part No.	Description	Q'ty	Remarks
1	99C00-25110	GRFASÉ, brake pad	1	NET:20g
2-1	03104 32020	LOCK CEMENT, super (1361A)	1	NET:50g
2-2	99000-32050	THREAD LOCK, super (1342)	1	NET:50g
2-3	99000-32090	THREAD LOCK, super (1332B)	1	NET:50g
3	99000-32040	THREAD LOCK CEMENT	1	NET:200g
4	99000-31030	SUZUKI BOND No.4	1	NET:100g
5	99000-25140	SUZUKI MOLY PASTE	1	NET:50g
6	99000-25030	SUZUKI SUPER GREASE	1	NET:150g
7	09826-00001	TUBE REPAIRING TOOL	1	
8-1	99000-10109-019	PAINT (Black)	1	
8-2	99000-10109-291	PAINT (Black Semi-Golss)	1	model X
8-3	99000-10105-064	PAINT (Pure White)	1	model T
8-4	99000-10209-05L	PAINT (Candy Imperial Maroon)	1	model T NET:90g
8-5	99000-10209-737	PAINT (Stardust Silver Metallic)	1	model T
8-6	99000-10205-08D	PAINT (Marble Re Mans Blue)	1	model X
8-7	99000-10209-08E	PAINT (Pearl Black)	1	model X
9-1	11400-49841	GASKET SET	1	model T
9-2	11400-49842	GASKET SET	1	model X

GS1100EX

GS1100EX

AIR CLEANER C-9	CRANK COVER B-7	FOOTREST G-4	FRONT WHEEL H-6	HOUSING HEADLAMP H-5	REAR CALIPERS I-7	SEAT G-9	STEERING STEM H-3
BATTERY E-6	CRANKCASE B-5	FRAME G-2	FUEL COCK G-8	LEFT HANDLE SW. H-9	REAR COMBI LAMP F-5	SEAT TAIL COVER G-10	TRANSMISSION D-4
CAM CHAIN C-5	CRANKSHAFT C-2	FRAME COVER G-12	FUEL TANK G-6	MASTER CYLINDER D-6	MUFFLER C-10	REAR MASTER CYL I-9	TURN SIGNAL LAMP F-3
CAM SHAFT C-4	CYLINDER B-4	FRONT BRAKE HOSE H-12	GEAR SHIFTING D-6	GENERATOR E-3	OIL PUMP E-3	REAR SWING ARM I-2	WIRING HARNESS E-7
CARBURETOR C-6	CYLINDER HEAD B-3	FRONT CALIPERS H-10	HANDLEBAR H-2	OPTIONAL H-7	REAR WHEEL I-11	STARTER CLUTCH C-3	GS1100ET F.No.GS110X - 500001
CHAIN CASE I-3	CYLINDER HEAD COVER B-2	FRONT FORK H-2	HEADLAMP F-2	REAR BRAKE HOSE I-10	RIGHT HANDLE SW. H-8	STARTING MOTOR E-2	GS1100EX: GU71A B2100001
CLUTCH D-2	ELECTRICAL F-6	FRONT MASTER CYL H-11					

FIG.50



Q'ty

Ref. No.	Part No.	Description	Q'ty	Remarks
1	61100-49820	REAR SWINGING ARM SET	1	model T with 69480-49002
2	61100-49821	REAR SWINGING ARM SET	1	model T,X with 69480-49003
3	09263-25024	·BEARING	2	
4	09319-10008	·BUSHING, rear	2	
5	61282-49000	·SPACER, center	1	
6	61211-49200	SHAFT, pivot	1	
7	08319-21168	NUT	1	
8	08322-11168	WASHER	2	
9	61251-49000	SPACER	2	
10-1	61262-49200	COVER, dust seal	2	model T
10-2	61262-49201	COVER, dust seal	2	model X
11	08211-16381	WASHER	2	
12	64310-49200	TORQUE LINK, rear	1	
13	09111-10011	BOLT, front	1	
14	09101-10017	BOLT, rear	1	
15	08322-11108	WASHER	2	
16	08314-41108	NUT	2	
17	04111-20208	COTTER PIN	2	

GS1100EX Revised 1 May, '81

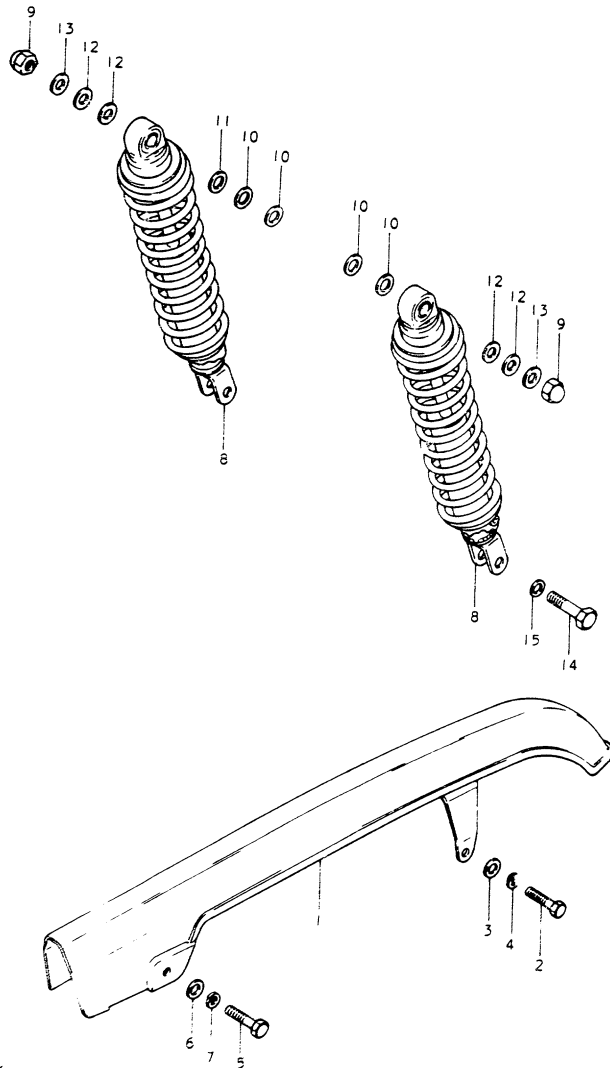
GS1100EX

AIR CLEANER C-9	CRANK COVER B-7	FOOTREST G-4	FRONT WHEEL H-6	HOUSING HEADLAMP H-5	REAR CALIPERS I-7	SEAT G-9	STEERING STEM H-3
BATTERY E-6	CRANKCASE B-5	FRAME G-2	FUEL COCK G-2	LEFT HANDLE SW H-9	REAR COMBI. LAMP F-5	SEAT TAIL COVER G-10	TRANSMISSION D-4
CAM CHAIN C-5	CRANKSHAFT C-2	FRAME COVER G-12	FUEL TANK G-6	MASTER CYLINDER D-6	REAR FENDER I-4	SIGNAL GENERATOR E-5	TURN SIGNAL LAMP F-3
CAM SHAFT C-4	CYLINDER B-4	FRONT BRAKE HOSE H-12	GEAR SHIFTING D-6	MUFFLER C-10	REAR MASTER CYL I-9	SPEEDO/TACHO E-7	WIRING HARNESS F-7
CARBURETOR C-6	CYLINDER HEAD B-3	FRONT CALIPERS H-10	GENERATOR E-3	OIL PUMP B-8	REAR SWING ARM I-2	STAND G-3	
CHAIN CASE I-3	CYLINDER HEAD COVER B-2	FRONT FORK H-2	HANDLEBAR H-7	OPTIONAL I-11	REAR WHEEL I-5	STARTER CLUTCH C-3	
CLUTCH D-2	ELECTRICAL F-8	FRONT MASTER CYL H-11	HEADLAMP F-2	REAR BRAKE HOSE I-10	RIGHT HANDLE SW H-8	STARTING MOTOR E-2	

GS1100ET: F.No.GS110X - 5000011
GS1100EX: GU71A B2100011

FIG. 51

FIG. 51 CHAIN CASE - SHOCK ABSORBER



Ref. No.	Part No.	Description	Q'ty	Remarks
1	61310-49200	CHAIN CASE	1	
2	01107-06258	BOLT	1	
3	08322-21068	WASHER	1	
4	08321-21068	LOCK WASHER	1	
5	01107-06128	BOLT, front	1	
6	09160-06007	WASHER	1	
7	08321-21068	LOCK WASHER	1	
8	62100-49200	SHOCK ABSORBER, rear	2	
9	08313-11108	NUT	2	
10	08322-11128	WASHER, inner	4	
11	09160-12012	WASHER, inner RH	1	12.5x24x3.2
12	09160-10001	WASHER, outer (10.5x24x2.3)	4	
13	09160-10033	WASHER, outer (10.5x24x3.2)	2	
14	09104-10J02	BOLT	2	
15	08322-11108	WASHER	2	

GS1100EX

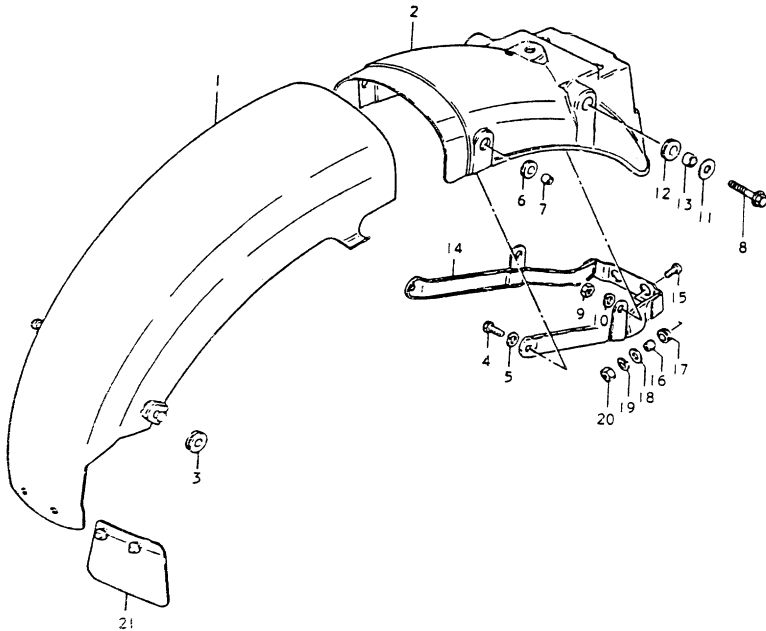
GS1100EX

13

AIR CLEANER . . . C-9	CRANK COVER B-7	FOOTREST G-4	FRONT "WHEEL H-6	HOUSING HEADLAMP . . . H-5	REAR CALIPERS I-7	SEAT F-5	SEAT TAIL COVER G-9	STEERING STEM H-3
BATTERY E-6	CRANKCASE B-5	FRAME G-2	FUEL CLCK G-2	LEFT HANDLE SW H-9	REAR COMBI. LAMP . . . F-5	SEAT TAIL COVER G-10	TRANSMISSION D-4	TURN SIGNAL LAMP F-3
CAM SHAFT C-5	CRANKSHAFT C-2	FRAME COVER B-2	FUEL TANK G-12	MASTER CYLINDER G-6	REAR FENDER I-8	SIGNAL GENERATOR E-5	WIRING HARNESS F-7	
CAM SHAFT C-4	CYLINDER B-4	FRONT BRAKE HOSE H-12	GEAR SHIFTING D-8	MUFFLER C-10	REAR MASTER CYL I-2	SPEEDO/TACHO E-7		
CARBURETOR C-6	CYLINDER HEAD B-3	FRONT CALIPERS H-10	GENERATOR E-3	OIL PUMP B-8	REAR SWING ARM I-2	STAND G-3		
CHAIN CASE I-3	CYLINDER HEAD COVER . . B-2	FRONT FORK H-2	HANDLEBAR H-7	OPTIONAL H-7	REAR WHEEL I-5	STARTER CLUTCH C-3	GS1100ET: F.No.GS110X - 500001c	
CLUTCH D-2	ELECTRICAL F-6	FRONT MASTER CYL H-11	HEADLAMP F-2	REAR BRAKE HOSE I-10	RIGHT HANDLE SW H-8	STARTING MOTOR E-2	GS1100EX: GU71A B2100001c	

FIG. 52

FIG.52 REAR FENDER



Ref. No.	Part No.	Description	Q'ty	Remarks
1	63112-49001	BODY, rear fender front	1	
2	63113-49200-291	BODY, rear fender rear	1	
3	09320-08013	CUSHION	2	
4	01107-06208	BOLT	2	
5	08321-21068	LOCK WASHER	2	
6	09320-08007	CUSHION	2	
7	09180-06038	SPACER (6.1x9x7.5)	2	
8	01517-08358	BOLT	2	
9	08310-12088	NUT	2	
10	08321-21088	LOCK WASHER	2	
11	09160-08032	WASHER (8.5x26x1.2)	2	
12	09320-12011	CUSHION	2	
13	09180-08021	SPACER (8.2x11.8x7.5)	2	
14	63120-49000	REINFORCEMENT, rear fender	1	
15	02142-06207	SCREW	2	
16	09180-06011	SPACER (6.1x9x9)	2	
17	09320-08013	CUSHION	2	
18	09160-06012	WASHER (6.5x22x1.6)	2	
19	08321-21068	LOCK WASHER	2	
20	08310-11068	NUT	2	
21	63411-31900	MUD GUARD	1	

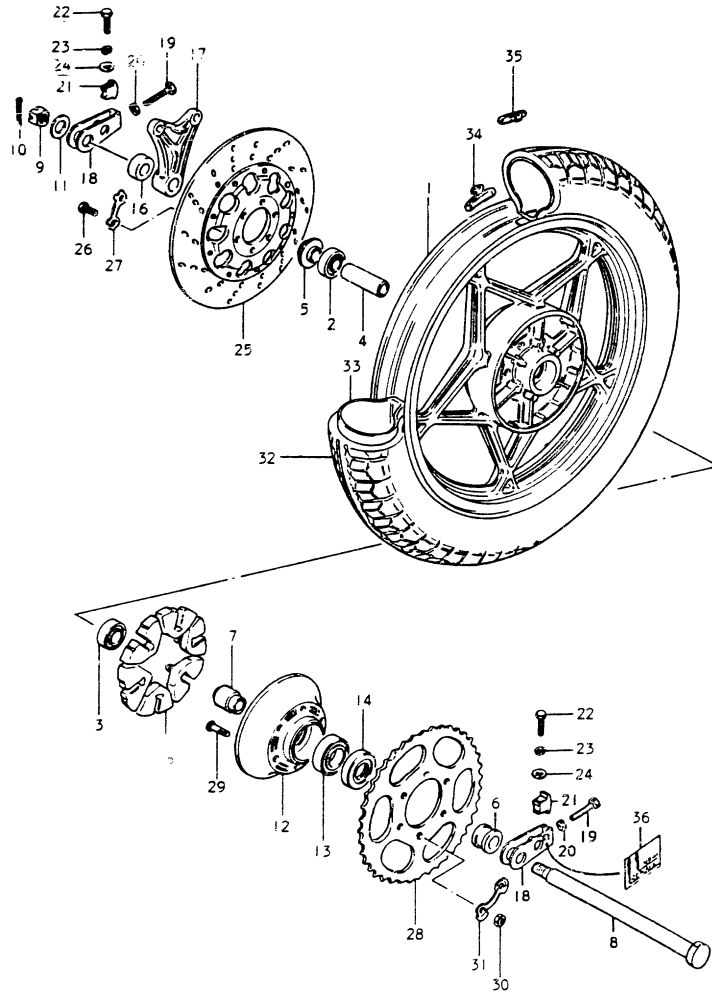
GS1100EX

GS1100EX

AIR CLEANER C-9	CRANK COVER B-7	FOOTREST G-4	FRONT WHEEL H-6	HOUSING HEADLAMP H-5	REAR CALIPERS I-7	SEAT G-9	STEERING STEM H-3
BATTERY E-6	CRANKCASE B-5	FRAME G-2	FUEL COCK G-8	LEFT HANDLE SW H-9	REAR COMBI LAMP F-5	SEAT TAIL COVER G-10	TRANSMISSION D-4
CAM CHAIN C-5	CRANKSHAFT C-2	FRAME COVER G-12	FUEL TANK G-6	MASTER CYLINDER I-8	REAR FENDER I-4	SIGNAL GENERATOR E-5	TURN SIGNAL LAMP F-3
CAM SHAFT C-4	CYLINDER B-4	FRONT BRAKE HOSE H-12	GEAR SHIFTING D-6	MUFFLER C-10	REAR MASTER CYL I-9	SPEEDO/TACHO E-7	WIRING HARNESS F-7
CARBURETOR C-6	CYLINDER HEAD B-3	FRONT CALIPERS H-10	GENERATOR E-3	OIL PUMP G-8	REAR SWING ARM I-2	STAND G-3	
CHAIN CASE I-3	CYLINDER HEAD COVER B-2	FRONT FORK H-2	HANDLEBAR H-7	OPTIONAL H-7	REAR WHEEL I-5	STARTER CLUTCH C-3	STARTING MOTOR E-2
CLUTCH D-2	ELECTRICAL F-6	FRONT MASTER CYL H-11	HEADLAMP H-11	REAR BRAKE HOSE F-2	RIGHT HANDLE SW H-8		

GS1100ET: F.No.GS110X - 500001
GS1100EX: G071A B210001

FIG. 53



GS1100EX

60

FIG. 53 REAR WHEEL

Ref. No.	Part No.	Description	Q'ty	Remarks
1-1	64111-49020	WHEEL, rear	1	model T with 55411-47001, No. 1 with 55412-47001, No. 2
1-2	64111-49021	WHEEL, rear	1	model T, X with 55411-45100, No. 1 with 55412-45100, No. 2
2	08133-62047	BEARING, RH	1	
3	08153-62047	BEARING, LH	1	
4	09180-20062	SPACER	1	
5	64740-45001	SPACER, axle RH	1	
6	09180-20054	SPACER, axle LH (20x33x28.3)	1	
7	64733-31000	HOLDER, bearing	1	
8	64711-49000	AXLE, rear	1	
9	08314-31188	NUT	1	
10	04111-40308	COTTER PIN	1	
11	09160-19008	WASHER (19x34x4)	1	
12	64611-31001	DRUM, sprocket mounting	1	
13	08113-63050	BEARING	1	
14	09285-33001	OIL SEAL	1	
15	64651-31000	CUSHION, rear hub	6	
16	09180-20060	SPACER	1	
17	69721-47011	BRACKET, rear caripers	1	
18-1	61410-31000	ADJUSTER, chain	2	model T
18-2	61410-31001	ADJUSTER, chain	2	model X
19	09104-08006	BOLT	2	
20	08310-12088	NUT	2	
21	61433-31000	SUPPORTER, chain adjuster	2	
22	01107-08608	BOLT	2	
23	08321-21088	LOCK WASHER	2	
24	08322-11088	WASHER	2	
25	59210-18450	DISK, rear brake	1	
26	09100-08094	BOLT	6	
27	09169-08016	WASHER	3	

GS1100EX

AIR CLEANER	C-9	CRANK COVER	B-7	FOOTREST	G-4	FRONT WHEEL	H-6	HOUSING HEADLAMP	H-5	REAR CALIPERS	I-7	SEAT	G-9	STEERING STEM	H-3
BATTERY	F-6	CRANKCASE	B-5	FRAME	G-2	FUEL COCK	G-8	LEFT HANDLE SW.	H-9	REAR COMBI. LAMP	F-5	SEAT TAIL COVER	G-10	TRANSMISSION	D-4
CAM CHAIN	C-5	CRANKSHAFT	C-2	FRAME COVER	G-12	FUEL TANK	G-6	MASTER CYLINDER	H-8	REAR FENDER	I-4	SIGNAL GENERATOR	E-5	TURN SIGNAL LAMP	F-3
CAM SHAFT	C-6	CRANKSHAFT	B-4	FRONT BRAKE HOSE	H-12	GEAR SHIFTING	D-6	MUFFLER	C-10	REAR MASTER CYL.	I-9	SPEEDO/TACHO.	E-7	WIRING HARNESS	F-7
CARBURETOR	C-8	CYLINDER HEAD	B-3	FRONT CALIPERS	H-10	GENERATOR	E-3	OIL PUMP	B-8	REAR SWING ARM	I-2	STAND	G-3		
CHAIN CASE	I-3	CYLINDER HEAD COVER	B-2	FRONT FORK	H-7	HANDLEBAR	H-7	OPTIONAL	I-11	REAR WHEEL	I-5	STARTER CLUTCH	C-3		
CLUTCH	D-2	ELECTRICAL	F-8	FRONT MASTER CYL.	H-11	HEADLAMP	F-2	REAR BRAKE HOSE	I-10	RIGHT HANDLE SW.	H-8	STARTING MOTOR	E-2		

15

FIG. 53

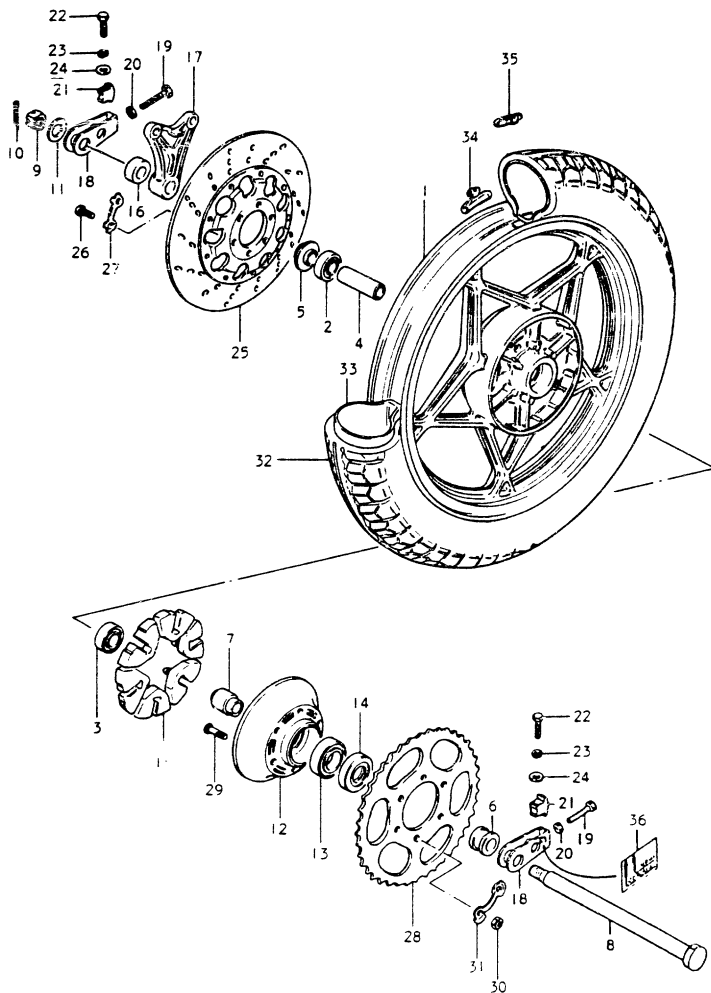
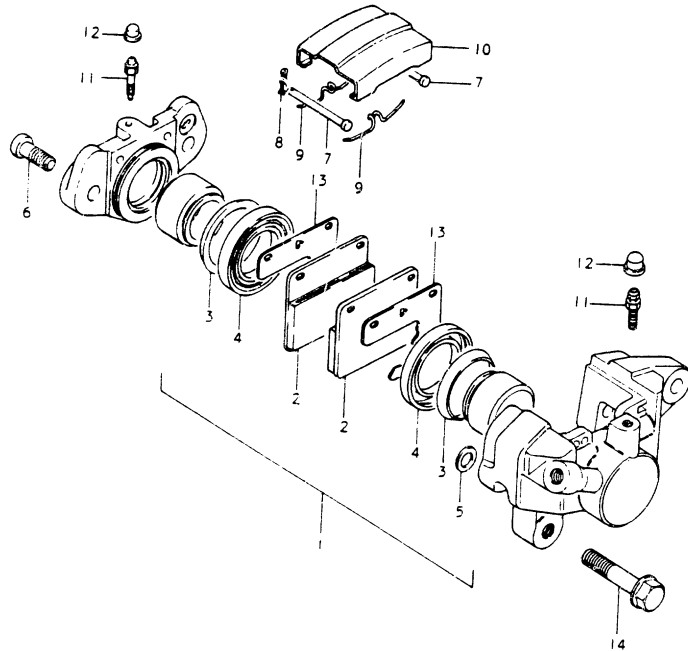


FIG. 53 REAR WHEEL

Ref. No.	Part No.	Description	Q'ty	Remarks
28	64511-49001	SPROCKET, rear (NT:42)	1	
29	09119-10002	BOLT	6	
30	08310-12108	NUT	6	
31	09169-10007	WASHER	3	
32	65100-49230	TIRE (4.50V17)	1	BS
33	65200-49010	TUBE, inner	1	
34-1	55411-47001	BARANCER, No.1	AR(0~3)	model T
34-2	55412-47001	BARANCER, No.2	AR(0~3)	for 64111-49020
35-1	55411-45100	BARANCER, No.1	AR(0~3)	model T,X
35-2	55412-45100	BARANCER, No.2	AR(0~3)	for 64111-49021
36	6E377-49000	LABEL, chain wear indicator	1	

AIR CLEANER C-9	CRANK COVEP B-7	FOOTREST G-4	FRONT WHEEL H-6	HOUSING HEADLAMP H-5	REAR CALIPERS I-7	SEAT G-9	STEERING STEM K-3
BATTERY E-6	CRANKCASE B-5	FRAME G-8	FUEL COCK G-2	LEFT HANDLE SW H-9	REAR COMB. LAMP F-5	SEAT TAIL COVER G-10	TRANSMISSION D-4
CAM CHAIN C-5	CRANKSHAFT C-2	FRAME COVER G-12	FUEL TANK G-6	MASTER CYLINDER I-8	REAR FENCER I-4	SIGNAL GENERATOR E-5	TURN SIGNAL LAMP F-3
CAM SHAFT C-4	CYLINDER B-4	FRONT BRAKE HOSE H-12	GEAR SHIFTING D-6	MUFFLER C-10	REAR MASTER CYL I-9	SPEEDO/TACHO E-7	WIRING HARNESS F-7
CARBURETOR C-6	CYLINDER HEAD B-3	FRONT CALIPERS H-10	GENERATOR E-3	OIL PUMP H-7	REAR SWING ARM I-2	STAND G-3	
CHAIN CASE I-3	CYLINDER HEAD COVER B-2	FRONT FORK H-2	HANDLEBAR H-11	OPTIONAL H-7	REAR WHEEL I-5	STARTER CLUTCH C-3	GS1100ET: F.No GS110X 500001+
CLUTCH D-2	ELECTRICAL F-6	FRONT MASTER CYL H-1	HEADLAMP F-2	REAR BRAKE HOSE I-10	RIGHT HANDLE SW H-8	STARTING MOTOR E-2	GS1100EX: GUTIA B2100001+

FIG. 54



Ref. No.	Part No.	Description	Q'ty	Remarks
	69100-45020	CALIPERS ASSY, rear	1	
1	69100-45850	·PISTON & PAD SET	1	
2	69130-45020	··PAD	2	
3	59107-18410	··SEAL, piston	2	
4	69108-45000	··BOOT, piston	2	
5	69107-45000	··SEAL, piston	1	
6	69145-45000	·BOLT, housing	2	
7	69141-45000	·PIN	2	
8	69142-45000	·CLIP	2	
9	69143-45001	·SPRING	2	
10	69151-45000	·DUST COVER	1	
11	59121-18410	·BREATHER, No.1	2	
12	59122-18410	·CAP	2	
13	69152-45001	·SHIM	2	
14	01527-10305	BOLT	2	

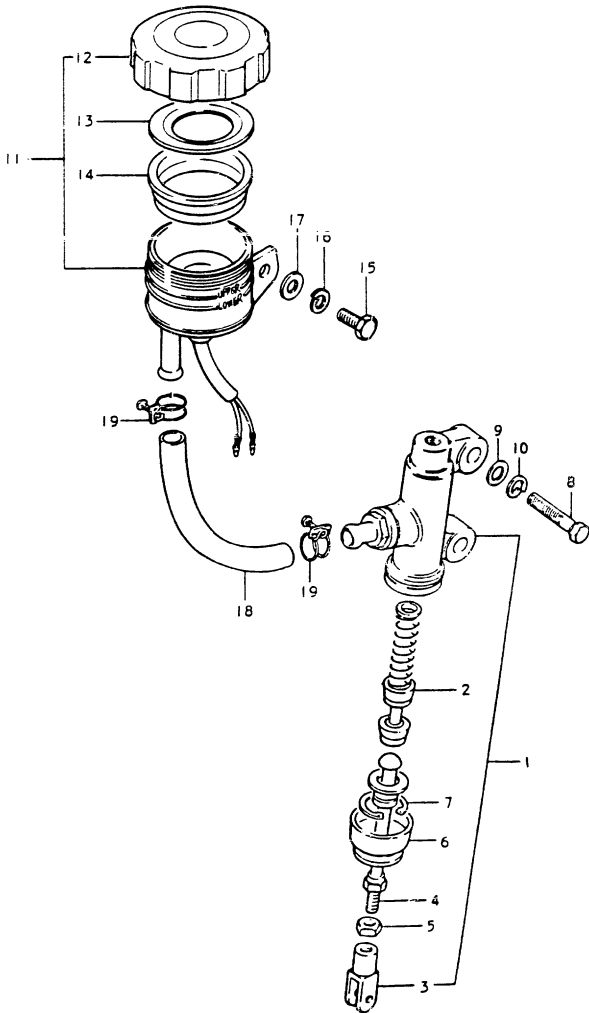
GS1100EX

GS1100EX

AIR CLEANER	C-9	CRANK COVER	B-7	FOOTREST	G-4	FRONT WHEEL	H-6	HOUSING HEADLAMP	H-5	REAR CALIPERS	I-7	SEAT	G-9	STEERING STEM	H-3
BATTERY	E-6	CRANKCASE	B-5	FRAME	G-2	FUEL COCK	G-8	LEFT HANDLE SW.	H-9	REAR COMB. LAMP	F-5	SEAT TAIL COVER	G-10	TRANSMISSION	D-4
CAM CHAIN	C-5	CRANKSHAFT	C-2	FRAME COVER	G-12	FUEL TANK	G-6	MASTER CYLINDER	I-8	REAR FENDER	I-4	SIGNAL GENERATOR	E-5	TURN SIGNAL LAMP	F-3
CAM SHAFT	C-4	CYLINDER	B-4	FRONT BRAKE HOSE	H-12	GEAR SHIFTING	E-6	MUFFLER	E-6	REAR MASTER CYL	I-9	SPEEDO/TACHO.	E-7	WIRING HARNESS	F-7
CARBURETOR	C-6	CYLINDER HEAD	B-3	FRONT CALIPERS	H-10	GENERATOR	E-3	OIL PUMP	B-8	REAR SWING ARM	I-2	STAND	G-3		
CHAIN CASE	I-3	CYLINDER HEAD COVER	B-2	FRONT FORK	H-2	HANDLEBAR	H-7	OPTIONAL	I-11	REAR WHEEL	I-5	STARTER CLUTCH	C-3		
CLUTCH	D-2	ELECTRICAL	F-6	FRONT MASTER CYL.	H-11	HEADLAMP	F-2	REAR BRAKE HOSE	I-10	RIGHT HANDLE SW	H-8	STARTING MOTOR	E-2		

GS1100ET: F.No.GS110X - 500001;
GS1100EX: GU71A B2109001;

FIG. 55



GS1100EX

FIG. 55 MASTER CYLINDER (GS1100ET)

Ref. No.	Part No.	Description	Q'ty	Remarks
1	69600-47001	CYLINDER ASSY, rear master	1	
2	69600-45810	PISTON & CUP SET	1	
3	69692-45001	YOKE	1	
4	69670-45000	ROD, push	1	
5	08310-12088	NUT	2	
6	69691-45001	BOOT	1	
7	51162-70040	CIRCLIP	1	
8	01107-08308	BOLT	2	
9	08322-11088	WASHER	2	
10	08321-21088	LOCK WASHER	2	
11	69740-49110	RESERVOIR TANK ASSY	1	
12	59669-33603	CAP	1	
13	59668-18441	PLATE, diaphragm	1	
14	59667-18441	DIAPHRAGM	1	
15	01107-06168	BOLT	1	
16	08321-21068	LOCK WASHER	1	
17	08322-21068	WASHER	1	
18	69731-47000	HOSE	1	
19	09400-16301	CLAMP	2	

FIG. 56 (i-9) : GS1100EX

GS1100EX

AIR CLEANER . . . C-9	CRANK COVER . . . B-7	FOOTREST . . . G-4	FRONT WHEEL . . . H-6	HOUSING HEADLAMP . . . H-5	REAR CALIPERS . . . I-7	SEAT . . . F-5	STEERING STEM . . . H-3
BATTERY . . . E-6	CRANKCASE . . . B-5	FRAME . . . G-5	FUEL COCK . . . G-2	LEFT HANDLE SW . . . H-9	REAR COMBI. CLAMP . . . F-5	SEAT TAIL COVER . . . G-9	TRANSMISSION . . . D-4
CAM CHAIN . . . C-5	CRANKSHAFT . . . C-2	FRAME COVER . . . G-12	FUEL TANK . . . G-6	MASTER CYLINDER . . . I-8	REAR FENDER . . . I-4	SIGNAL GENERATOR . . . E-5	TURN SIGNAL LAMP . . . F-3
CAM SHAFT . . . C-4	CYLINDER . . . C-4	FRONT BRAKE HOSE . . . H-12	GEAR SHIFTING . . . D-6	MUFFLER . . . E-3	REAR MASTER CYL . . . I-9	SPEEDO/TACHO . . . E-7	WIRING HARNESS . . . F-7
CARBURETOR . . . C-6	CYLINDER HEAD . . . B-3	FRONT CALIPERS . . . H-10	GENERATOR . . . E-3	OIL PUMP . . . H-7	REAR SWING ARM . . . I-2	STAND . . . G-3	
CHAIN CASE . . . I-3	CYLINDER HEAD COVER . . . B-2	FRONT FORK . . . H-2	HANDLEBAR . . . H-7	OPTIONAL . . . H-11	REAR WHEEL . . . I-5	STARTER CLUTCH . . . C-3	GS1100ET F.No.GS110X - 500001+
CLUTCH . . . D-2	ELECTRICAL . . . F-6	FRONT MASTER CYL . . . H-11	HEADLAMP . . . F-2	REAR BRAKE HOSE . . . I-10	RIGHT HANDLE SW . . . H-8	STARTING MOTOR . . . E-2	GS1100EX: GU71A 82100001+

FIG. 56

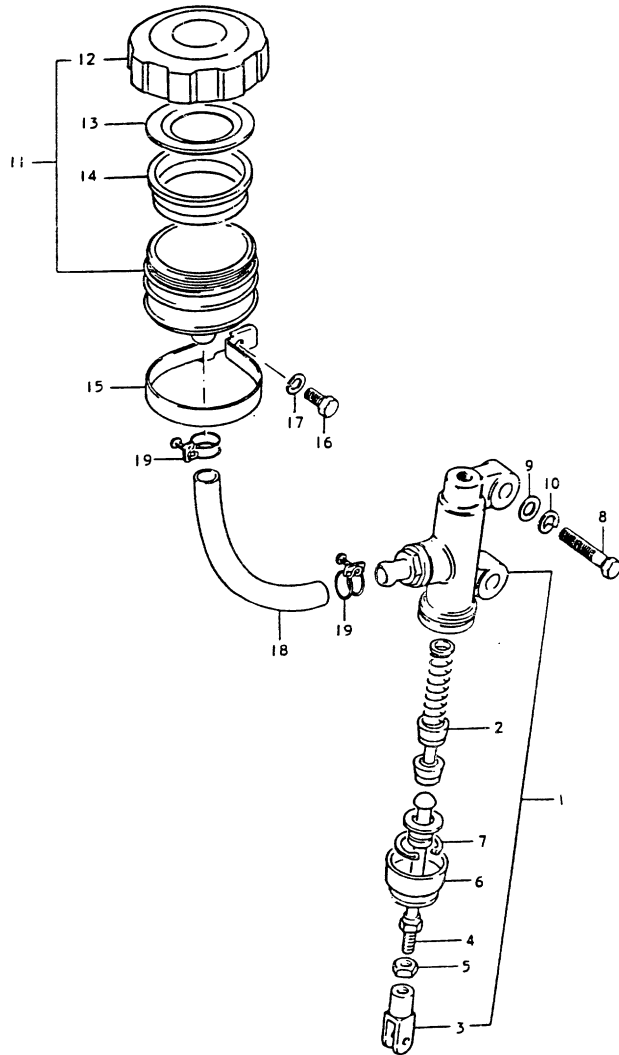


FIG. 56 REAR MASTER CYLINDER (GS1100EX)

Ref. No.	Part No.	Description	Q'ty	Remarks
1	69600-47001	CYLINDER ASSY, rear master	1	
2	69600-45810	-PISTON & CUP SET	1	
3	69692-45001	-YOKE	1	
4	69670-45000	-ROD, push	1	
5	08310-12088	-NUT	2	
6	69691-45001	-BOOT	1	
7	51162-70040	-CIRCLIP	1	
8	01107-08308	BOLT	2	
9	08322-11088	WASHER	2	
10	08321-21088	LOCK WASHER	2	
11	69740-47011	RESERVOIR TANK ASSY	1	
12	59669-33603	-CAP	1	
13	59668-18441	-PLATE, diaphragm	1	
14	59667-18441	-DIAPHRAGM	1	
15	09402-51601	CLAMP	1	
16	01107-06168	BOLT	1	
17	08321-21068	LOCK WASHER	1	
18	69731-49000	HOSE	1	
19	09400-16301	CLAMP	2	

GS1100LY

GS1100EX

AIR CLEANER C-9	CRANK COVER B-7	FOOTREST G-4	FRONT WHEEL H-6	HOUSING HEADLAMP H-5	REAR CALIPERS I-7	SEAT H-3
BATTERY E-6	CRANKCASE B-5	FRAME G-5	FUEL COCK G-2	LEFT HANDLE SW G-8	REAR COMBI. LAMP H-9	SEAT TAIL COVER F-5
CAM CHAIN C-5	CRANKSHAFT C-2	FRAME COVER C-2	FUEL TANK G-12	MASTER CYLINDER G-6	REAR FENDER I-4	SIGNAL GENERATOR E-5
CAM SHAFT C-4	CYLINDER B-4	FRONT BRAKE HOSE B-4	GEAR SHIFTING H-12	MUFFLER D-6	REAR MASTER CYL C-10	SPEEDO/TACHO E-7
CARBURETOR C-2	CYLINDER HEAD B-3	FRONT CALIPERS B-3	GENERATOR H-10	OIL PUMP E-3	REAR SWING ARM B-9	TURN SIGNAL LAMP F-3
CHAIN CASE I-3	CYLINDER HEAD COVER B-2	FRONT FORK H-2	HANDLEBAR H-7	OPTIONAL H-7	STAND I-2	WIRING HARNESS F-7
CLUTCH D-2	ELECTRICAL F-6	FRONT MASTER CYL H-11	HEADLAMP F-2	REAR BRAKE HOSE I-10	STARTER CLUTCH C-3	
					STARTING MOTOR E-2	

GS1100ET F.No.GS110X . 500001;
GS1100EX. GU71A B2100001;

PART NO.	FIG.NO.-REF.NO. (Address No.)	PART NO.	FIG.NO.-REF.NO. (Address No.)	PART NO.	FIG.NO.-REF.NO. (Address No.)	PART NO.	FIG.NO.-REF.NO. (Address No.)	PART NO.	FIG.NO.-REF.NO. (Address No.)		
11000											
11100-49640	B-3	12140-49220-050	C-2	13202-49200	C-6	13573-47070	C-6	14771-49001	C-10	24131-49200	D-4
11100-49841	B-3	12140-49220-100	C-2	13203-49200	C-6	13573-47080	C-6	14780-49200	C-10	24131-49201	D-4
11115-49290	B-3	12151-49202	C-2	13204-49200	C-6	13574-45120	C-8	14780-49201	C-10	24221-49200	D-4
	B-3	12161-49201	C-2	13204-49200	C-6	13574-49200	C-8	14790-49200	C-10	24231-49200	D-4
11141-49200	B-3	12200-49201	C-7	13246-44080	C-7	13575-47070	C-7	14790-49201	C-10	24241-49200	D-4
	B-3	12220-49202	C-2	13247-44080	C-7						
11145-49200	B-3	12230-49201	C-2	13250-44080	C-7	13578-47070	C-6	16321-49990	D-2	24251-49200	D-4
11151-45000	B-3	12241-49202	C-2	13251-44080	C-7	13581-44030	C-6	16325-45001	D-2	24311-49200	D-4
	B-3	12250-49201	C-2	13254-92311	C-7	13604-44080	C-7	16331-49990	B-8	24321-49200	D-4
	B-2	12261-49202	C-2	13255-49210	C-6	13605-45110	C-6	16400-49210	B-8	24331-49200	D-4
11171-49202	B-2	12261-49202	C-2	13258-44080	C-7	13605-47070	C-8	16445-45000	B-6	24332-49000	D-4
	B-2	12261-49203	C-2	13267-47070	C-7						
11173-49201	B-2	12271-49202	C-2	13268-44010	C-7	13605-47080	C-6	16448-45000	B-6	24341-49200	D-4
11173-49203	B-2	12281-49200	C-2	13271-93011	C-7	13605-47090	C-8	16491-49200	B-8	24351-49200	D-4
11174-49201	B-2	12290-49201	C-2	13276-31210	C-7	13606-47070	C-6	16510-45040	B-8	24741-45000	D-4
11174-49210	B-2	12600-49822	C-3	13326-44080	C-7	13607-47070	C-6	16518-49200	B-8	24761-45000	D-5
11176-49200	B-2	12611-49201	C-3	13332-44080	C-7	13615-49200	C-8	16520-49200	B-8	24762-45000	D-5
11177-49200	B-2	12633-31000	C-3	13357-44080	C-7						
11210-49200	B-4	12649-49200	C-3	13370-44080	C-7	13617-44080	C-6	16531-49210	B-8	25211-49200	D-6
11241-49200	B-4	12711-49200	C-4	13373-39110	C-7	13619-49200	C-8			25231-49201	D-6
11251-48000	B-3	12711-49201	C-4	13374-44080	C-7	13624-49200	C-7			25310-49200	D-6
11252-25000	B-5	12721-45400	C-4	13376-44080	C-7	13627-44090	C-7			25322-11000	D-6
11300-49820	B-5	12721-45401	C-4	13382-44030	C-7	13627-45110	C-7			25323-11000	D-6
	B-7	12741-45110	C-4								
11340-49200	B-7	12741-45111	C-4	13383-49200	C-6	13628-49200	C-8			25324-11000	D-6
11351-49200	B-7	12751-47001	C-4	13387-44030	C-6	13651-51010	C-6			25331-49200	D-6
11360-49200	B-7	12751-47002	C-4	13388-44030	C-7	13683-45110	C-8			25341-18000	D-6
11381-49200	B-7	12760-49010	C-5	13389-44030	C-6	13683-47070	C-8			25350-49200	D-6
	B-7	12771-45052	C-5	13394-31210	C-6	13685-47070	C-8			25351-30010	D-6
	B-7	12776-49000	C-5								
11382-49002	B-7	12782-47040	C-5	13410-49200	C-8	13685-49200	C-8	21111-49002	C-2	25354-30000	D-6
11394-45000	B-6	12810-49250	C-5	13415-47070	C-7	13685-49210	C-8	21200-49201	D-2	25381-49200	D-6
11400-49841	I-11	12830-47001	C-5	13421-47070	C-7	13700-49810	C-9	21215-49000	D-2	25411-49200	D-6
11400-49842	I-11	12833-47001	C-5	13422-44080	C-8	13710-49200	C-9	21251-49200	D-2	25510-45400	D-6
11482-49201	B-7	12837-47000	C-5	13422-47070	C-7	13780-49200	C-9	21411-49201	D-2	25600-49000	D-7
	B-7										
11483-49200	B-7	12838-45001	C-5	13425-45110	C-7	13801-49200	C-9	21411-49202	D-2	25652-16500	D-7
11489-49200	B-8	12840-49200	C-4	13500-49200	C-6	13831-49200	C-9	21411-49203	D-2	25671-01000	D-6
11491-49200	B-7	12842-49200	C-4	13503-49200	C-6	13832-49200	C-9	21441-49200	D-2	26431-49290	B-2
11497-45000	B-6	12843-49200	C-4	13523-98010	C-7	13859-49200	C-6	21451-49200	D-2	26441-45000	B-2
11511-49200	B-8	12860-49200	C-4	13550-49200	C-6	13870-00020	C-9	21462-49200	D-2	26449-33000	B-2
	B-6	12900-49810	C-4	13550-49210	C-6	13881-49200	C-9	21462-49201	D-2	26451-45000	B-2
11522-49200	B-6	12911-49220	C-4	13550-49220	C-6	13885-49200	C-9	21471-49100	D-2	27510-49001	D-5
11610-49000	B-5	12912-49220	C-4	13550-49230	C-8	14100-49200	C-10	21471-49200	D-2	27600-49220	D-5
12111-49201	C-2	12931-49200	C-4	13551-49200	C-7	14155-49000	C-10	21481-45100	D-2		
12111-49201-050	C-2	12932-49200	C-4	13553-47070	C-6	14181-11010	C-10	23117-45000	D-4		
	C-2										
12111-49201-100	C-2	12933-49200	C-4	13555-47070	C-6	14182-49000	C-10	23165-49200	D-2		
12111-49202	C-2	13111-49200	B-3	13557-47070	C-6	14301-49200	C-10	23261-45400	D-2		
12111-49202-050	C-2	13121-49200	B-3	13557-49200	C-6	14302-49200	C-10	23271-49001	D-2		
12111-49202-100	C-2	13200-49200	C-6	13563-47070	C-6	14459-49000	C-10	24100-49820	D-4		
2140-49220	C-2	13201-49200	C-6	13573-45110	C-6	14469-49000	C-10	24120-49200	D-4		

20000

AIR CLEANER	C-9	CRANK COVER	B-7	FOOTREST	G-4	FRONT WHEEL	H-6	HOUSING HEADLAMP	H-5	REAR CALIPERS	L-7	SEAT	G-9	STEERING STEM	H-3
BATTERY	E-6	CRANKCASE	B-5	FRAME	G-2	FUEL COCK	G-8	LEFT HANDLE SW.	H-9	REAR COMBI. LAMP	F-5	SEAT TAIL COVER	G-10	TRANSMISSION	D-4
CAM CHAIN	C-5	CRANKSHAFT	C-2	FRONT COVER	H-12	FUEL TANK	G-6	MASTER CYLINDER	I-8	REAR FENDER	L-4	SIGNAL GENERATOR	E-5	TURN SIGNAL LAMP	F-3
CAM SHAFT	C-4	CYLINDER	B-4	FRONT BRAKE HOSE	H-10	GENERATOR	E-3	MUFFLER	C-10	REAR MASTER CYL.	I-9	SPEEDO/TACHO.	E-7	WIRING HARNESS	F-7
CARBURETOR	C-6	CYLINDER HEAD	B-3	FRONT CALIPERS	H-10	GENEATOR	E-3	OIL PUMP	H-7	REAR SWING ARM	H-2	STAND	G-3		
CHAIN CASE	I-3	CYLINDER HEAD COVER	B-2	FRONT FOLK	H-2	HANDLEBAR	H-7	OPTIONAL	I-11	REAR WHEEL	L-5	STARTER CLUTCH	C-3	GS1100ET: F No. GS110X - 500001	
CLUTCH	D-2	ELECTRICAL	F-6	FRONT MASTER CYL.	H-11	HEADLAMP	F-2	REAR BRAKE HOSE	I-10	RIGHT HANDLE SW.	H-8	STARTING MOTOR	E-2	GS1100EX: GUT1A B2100001	

Index
J1

30000

31100-45210	E-2	33680-49000	E-6	35154-49200	F-2	36619-44000	E-8	42311-49200	G-3	46212-49000	G-9
31150-44110	E-2	33820-49000	E-6	35157-48510	F-2		F-7	43110-49200	G-3	46213-49000	G-9
31132-44110	E-2	33850-03201	E-6	35173-49200	F-2	36660-33000	F-3	43120-49210	G-3	47100-49880-05L	G-12
31135-65010	E-2	33850-49001	F-6	35601-44130	F-3		F-4	43510-49210	G-4	47101-49810-08D	G-13
31143-44110	E-2	34111-49200	E-7		F-4	36740-49200	F-6	43520-49210	G-4	47101-49810-08E	G-13
		34111-49201	E-7							47100-49880-737	G-12
31153-49210	E-2	34120-49230	E-7	35601-49210	F-4	36851-49000	F-3	43550-49002	G-4	47113-49200	G-13
31155-45010	E-2	34150-49200	E-7	35601-49230	F-3		F-4	43560-49002	G-4	47117-02400	E-6
31171-44110	E-2	34152-49200	E-7	35611-49230	F-3	36853-45000	F-7	43600-49200	G-4		G-12
31172-44110	E-2	34153-49200	E-7		F-3	37100-49200	F-7	43600-49201	G-4		G-13
31264-44110	E-2	34157-49200	E-8		F-4	37146-47010	F-7	43610-49200	G-4	47200-49880-05L	G-12
						37152-47010	F-7				
						37200-49210	H-8	43610-49201	G-4	47201-40910-08D	G-13
31281-44110	E-2	34170-49200	E-7	35611-49230	F-4	37200-49230	H-8	43612-49200	G-4	47201-49810-08E	G-13
31311-49210	E-2	34181-30520	E-8	35612-49010	F-4	37400-49230	H-9	43612-49201	G-4	47200-49880-737	G-12
31361-47010	E-2	34181-49200	E-8	35612-49230	F-3	37400-49230	H-9	43620-49200	G-4	47410-49200	F-6
31400-49210	E-3	34187-49200	E-8		F-3	37591-49210	H-8	43620-49201	G-4	45191-49200-05L	G-10
31400-49310	E-4	34189-49200	E-8		F-4		H-8		G-4	45191-49200-737	G-10
										45192-49200-05L	G-10
31401-49210	E-3	34193-49200	E-8	35613-49230	F-3	37720-49200	D-7	43631-49200	G-4	45192-49200-737	G-10
31401-49310	E-4	34193-49201	E-8		F-3	37740-04570	F-7	43631-49201	G-4	45192-49200-737	G-10
31402-49210	E-3	34220-49230	E-7		F-4	37740-04571	F-7	43700-49200	G-4		
31402-49310	E-4	34320-49200	E-7		F-4	37820-45050	B-6	43700-49201	G-4		
31497-45000	E-3	34378-49200	E-7	35620-49200	F-3	37840-49200	F-7	43811-49200	G-4		
										50000	
31497-45000	E-4	34810-49200	G-8	35620-49200	F-4	38501-47000	F-7	43821-49200	G-4	51103-49200	H-2
31498-45000	E-3	34810-49201	G-8	35627-43010	F-3	38502-47000	F-7	44100-49210-05L	G-6	51104-49200	H-2
		34825-49001	G-8		F-3	38610-49230	F-3	44100-49210-737	G-6	51110-49200	H-2
31792-49200	E-3	34885-41002	G-8		F-4	38610-49231	F-4	44100-49230-08D	G-7	51117-41211	H-3
		34888-49000	G-8		F-4	38830-49200	F-3	44100-49230-08E	G-7	51117-45110	H-2
31800-37020	F-6	34910-45410	E-8	35627-43010	F-5	38830-49200	F-4	44200-49701	G-6	51121-49200	H-2
31861-35100	F-6	34938-37000	E-8	35640-49200	F-3				G-7	51130-49200	H-2
32800-45210	F-6	34940-47030	E-8		F-4			44300-45470	G-8	51140-49200	H-2
32800-49310	F-6	34940-47031	E-8	35697-49200	F-3			44300-47270	G-8	51146-49200	H-2
32900-45110	E-5	34950-49200	E-8		F-4			44348-47270	G-8	51147-49200	H-2
								44348-49170	G-8		
								44542-49200	G-7	51148-49200	H-2
33110-45110	E-5	34950-49202	E-8	35698-49200	F-3			45100-49210-41G	G-9	51153-49000	H-2
33120-49210	E-5	34954-49200	E-8		F-4			45191-49200-08D	G-11	51156-40301	H-2
33371-45100	E-5	34954-49201	E-8	35710-49230	F-5			45191-49200-08E	G-11	51162-70040	I-8
33410-49110	F-6	34955-28010	E-8	35712-49230	F-5	40000		45192-49200-08D	G-11		I-9
33420-49110	F-6	34955-31000	E-8	35713-49230	F-5						
								45192-49200-08E	G-11	51171-49200	H-2
33465-47000	E-5	35100-49230-999	F-2	35733-49230	F-5	41100-49200-019	G-2	45210-49201	G-9	51172-45110	H-2
33510-45010	F-6	35111-49200	F-2	35927-49230	F-5	41100-49201-019	G-2	45217-49200	G-9	51173-49002	H-2
33541-32410	F-6	35121-49230	F-2	35950-49230	F-2	41540-49200	E-6	45500-49200-05L	G-10	51177-49200	H-2
33542-98000	F-6	35127-49200	F-2	36323-49200	E-7	41550-49200	G-2	45500-49230-08D	G-11	51183-03010	H-2
33610-49230	E-6	35129-49200	F-2	36323-49201	E-7	41610-49201	G-2				
						41610-49202	G-2				
33617-49230	E-6	35130-49200	F-2	36470-49200	E-7	41910-49211-019	G-2	45500-49230-08E	G-11	51189-45110	H-2
33624-45000	E-6	35135-45600	F-2		F-2	41920-49211-019	G-2	45500-49820-737	G-10	51195-49200	H-2
33651-31000	E-6	35136-49200	F-2	36473-49200	E-7	41921-49000-019	G-2	45522-49200	G-10	51196-49000	H-2
33652-08410	E-6	35151-49200	F-2	36610-49200	F-7	41940-49000-019	G-2		G-11	51199-49200	H-2
33652-49001	E-6	35152-49200	F-2		F-7	42100-49200	G-3	46210-49200	G-9	51251-49200-291	H-4

AIR CLEANER	C-9	CRANK COVER	B-7	FOOTREST	G-4	FRONT WHEEL	H-6	HOUSING HEADLAMP	H-5	REAR CALIPERS	I-7	SEAT	G-9	STEERING STEM	H-3
BATTERY	E-5	CRANKCASE	B-8	FRAME	G-2	FUEL COCK	G-8	LEFT HANDLE SW.	H-9	REAR COMBI. LAMP	F-5	SEAT TAIL COVER	G-10	TRANSMISSION	D-4
CAM CHAIN	C-5	CRANKSHAFT	C-2	FRAME COVER	G-12	FUEL TANK	G-6	MASTER CYLINDER	I-8	REAR FENDER	I-9	SIGNAL GENERATOR	E-5	TURN SIGNAL LAMP	F-3
CAM SHAFT	C-4	CYLINDER	B-4	FRONT BRAKE HOSE	H-2	GEAR SHIFTING	D-6	MUFFLER	C-10	REAR MASTER CYL.	H-8	SPEED/TACH.	E-7	WIRING HARNESS	F-7
CARBURETOR	C-6	CYLINDER HEAD	B-3	FRONT CALIPERS	H-10	GENERATOR	E-3	OIL PUMP	B-8	REAR SWING ARM	I-2	STAND	G-3		
CHAIN CASE	I-3	CYLINDER HEAD COVER	B-2	FRONT FORK	H-2	HANDLEBAR	H-7	OPTIONAL	H-11	REAR WHEEL	I-5	STARTER CLUTCH	C-3		
CLUTCH	D-2	ELECTRICAL	F-6	FRONT MASTER CYL.	H-11	HEADLAMP	F-2	REAR BRAKE HOSE	I-10	RIGHT HANDLE SW.	H-8	STARTING MOTOR	E-2		

PART NO.	FIG.NO.-REF.NO. (Address No.)	PART NO.	FIG.NO.-REF.NO. (Address No.)	PART NO.	FIG.NO.-REF.NO. (Address No.)	PART NO.	FIG.NO.-REF.NO. (Address No.)	PART NO.	FIG.NO.-REF.NO. (Address No.)	
51252-49200-291	H-4	55411-45100	I-6	59150-49100	H-10		68146-49210-72F	G-12	69731-49000	I-9
51284-49200	H-2	55411-47001	I-6	59210-18450	I-5		68146-49230-75F	G-13	69740-47011	I-9
51285-49200	H-2	55412-45100	H-6	59211-45250	H-6		68146-49230-75G	G-13	69740-49110	I-8
51286-49200	H-2		I-6	59221-45250	H-6		68150-49210-72B	H-5		
51287-49200	H-2	55412-47001	I-6	59240-49200	H-12	60000	68150-49210-72D	H-5		
51293-49001	H-3	56110-45110	H-7	59244-36200	I-10					
51294-49000	H-3	56211-49200-291	H-3		I-10	61100-49820	I-2	68150-49211-75F	H-5	
51311-49100-291	H-3	56212-45400	H-3	59244-49000	H-12	61100-49821	I-2	68150-49211-75G	H-5	
51351-49200	H-2	56500-45100	H-7	59268-49001	H-12	61211-49200	I-2	68160-49210-72B	G-10	
51353-45000	H-4	56600-45100	H-7	59300-49100	H-10	61251-49000	I-2	68160-49210-72F	G-10	
						61262-49200	I-2	68160-49230-75F	G-11	90000
51356-31700	H-4	56700-31001	H-7	59300-49101	H-10	61262-49201	I-2	68160-49230-75G	G-11	95700-35821
51410-49130-291	H-3	57110-44011	H-8	59300-49810	H-10	61282-49000	I-2	68166-49200-538	G-10	95700-49820
51431-49200-291	H-3	57211-45010	H-9	59300-49820	H-10	61310-49200	I-3	68166-49200-998	G-10	95700-49821
51432-49200-291	H-3	57300-49101	H-8	59305-49000	H-10	61410-31000	I-5		G-11	96200-41330
51433-49200	H-3	57420-49101	H-8	59398-49000	H-10	61410-31001	I-5	68233-49200	B-7	99000-10109-019
51434-49200	H-3	57431-11011	H-9	59312-49000	H-10	61433-31000	I-5	68235-49200	B-7	99000-10109-064
51435-49200	H-3	57431-18621	H-8	59315-49000	H-10	62100-49200	I-3	68377-49000	I-6	99000-10109-291
51436-49200	H-3	57441-11010	H-9	59316-49000	H-10	63112-49001	I-4	69100-45020	I-7	99000-10209-05L
51530-49200-291	H-3	57442-11010	H-9	59317-49000	H-10	63113-49200-291	I-4	69100-45850	I-7	99000-10209-08D
51540-49200-291	H-3	57451-49100	H-9	59324-49000	H-10	63120-49000	I-4	69107-45000	I-7	99000-10209-08E
51553-49000	H-3	57460-49100	H-8	59350-49100	H-10	63411-31900	I-4	69108-45000	I-7	99000-10209-737
51631-28000	H-4	57461-18600	H-8	59371-49000	H-10	64111-49020	I-5	69130-45020	I-7	99000-25030
51643-49001	H-4		H-9	59480-45401	H-12	64111-49021	I-5	69141-45000	I-7	99000-25110
51811-49200-05L	H-5	57462-18600	H-8	59491-45000	H-12	64310-49200	I-2	69142-45000	I-7	99000-25140
51811-49200-737	H-5		H-9	59600-49030	H-11	64511-49001	I-6	69143-45001	I-7	99000-31030
51811-49201-08D	H-5	57463-18600	H-8	59600-49810	H-11	64611-31001	I-5	69145-45000	I-7	99000-32040
51811-49201-08E	H-5		H-9	59667-18441	I-8	64651-31000	I-5	69151-45000	I-7	99000-32050
51821-29001	H-5	57481-33010	H-8	64711-49000	I-9	64711-49000	I-5	69152-45001	I-7	99000-3209C
51827-49200	H-5		H-9	59667-49000	H-11	64733-31000	I-5	69243-47000	I-10	99104-32020
51843-49200	H-5	57500-49111	H-9	59668-18441	I-8	64740-45001	I-5		I-10	
51843-49201	H-5	57620-49111	H-9	59668-18441	I-9			69268-49000	I-10	
52474-60020	H-10	57661-31000	H-9	59668-49000	H-11	65100-49230	I-6	69480-49002	I-10	
53100-45400-05L	H-5	58200-45400	H-7	59669-33603	I-8	65200-49010	I-6	69480-49003	I-10	
53100-45820-737	H-5	58273-31000	H-9		I-9	68110-49210-72B	G-6	69600-45810	I-8	00000
53100-49200-08D	H-5	58300-45400	H-7	59669-49030	H-11	68110-49210-72F	G-6		I-9	
						68110-49230-75F	G-7			
53100-49200-08E	H-5	58400-45110	H-7	59671-49000	H-11	68110-49230-75G	G-7	69600-47001	I-8	01104-05108
54111-47604	H-6	58621-21203	H-5	59686-49000	H-11	68111-45010	G-6		I-9	C-7
54600-49100	H-6	58626-45100	H-7	59687-49000	H-11		5-7	69670-45000	I-8	G-8
54711-49000	H-6	59100-49100	H-10	59688-49000	H-11	68131-49200	G-12		I-9	01107-06128
54730-18400	H-6	59100-49101	H-10	59691-49000	H-11		G-13	69691-45001	I-8	D-4
										G-10
54740-18402	H-6	59107-18410	I-7	59693-49000	H-11	68136-49210-72B	G-12	69691-45001	I-9	01107-06128
54741-49101	H-6	59107-34020	H-10	59694-49000	H-11	68136-49210-72F	G-12	69692-45001	I-8	G-11
55100-49230	H-6	59121-18410	I-7	59711-49001	H-12	68136-49230-75F	G-13		I-9	G-11
55200-15010	H-6	59121-47050	H-10			68136-49230-75G	G-13	69721-47011	I-5	I-3
55411-45100	H-6	59122-18410	I-7			68146-49210-72B	G-12	69731-47000	I-8	C-9

GS1100EX

- 5 -

GS1100EX

- 6 -

AIR CLEANER C-9	CRANK COVER B-7	FOOTREST G-4	FRONT WHEEL H-6	HOUSING HEADLAMP H-5	REAR CALIPERS I-7	SEAT G-9	STEERING STEM H-3
BATTERY E-6	CRANKCASE B-5	FRAME G-2	FUEL COCK G-2	LEFT HANDLE SW H-9	REAR COMBI. LAMP F-5	SEAT TAIL COVER G-10	TRANSMISSION D-4
CAM CHAIN C-5	CRANKSHAFT C-2	FRAME COVER G-12	FUEL TANK G-6	MASTER CYLINDER I-8	REAR FENDER I-9	SIGNAL GENERATOR E-5	TURN SIGNAL LAMP F-7
CAM SHAFT C-4	CYLINDER B-4	FRONT BRAKE HOSE H-12	GEAR SHIFTING D-6	MUFFLER C-10	REAR MASTER CYL I-4	SPEEDO/TACHO E-7	WIRING HARNESS C-3
CARBURETOR C-6	CYLINDER HEAD B-3	FRONT CALIPERS H-10	GENERATOR E-3	OIL PUMP B-9	REAR SWING ARM I-2	STAND G-3	
CHAIN CASE I-3	CYLINDER HEAD COVER B-2	FRONT FORK H-2	HANDLEBAR H-7	OPTIONAL H-7	REAR WHEEL I-5	STARTER CLUTCH C-3	GS1100ET, F.No.GS110X - 500001;
CLUTCH D-2	ELECTRICAL F-6	FRONT MASTER CYL H-11	HEADLAMP F-2	REAR BRAKE HOSE H-10	RIGHT HANDLE SW H-8	STARTING MOTOR E-2	GS1100EX; GU71A 82100001;

Index
J3

PART NO.	FIG.NO.-REF.NO. (Address No.)	PART NO.	FIG.NO.-REF.NO. (Address No.)	PART NO.	FIG.NO.-REF.NO. (Address No.)	PART NO.	FIG.NO.-REF.NO. (Address No.)	PART NO.	FIG.NO.-REF.NO. (Address No.)	PART NO.	FIG.NO.-REF.NO. (Address No.)
01107-06168	E-5 E-6 F-6 I-8 I-9	01517-06758 01517-06858 01517-08168 01517-08258 01517-08358	B-5 B-5 C-5 C-10 I-4	02112-06128	E-8 F-6 F-7 C-8 F-6	04111-30308 04111-40308 04211-09129 04211-11189	H-6 I-5 B-7 B-7 B-3	08313-11105 08313-11108 08314-31128 08314-31188 08314-41108	H-4 I-3 H-6 I-5 I-2	08321-21068 08321-21088	I-9 I-10 C-10 E-8 G-2
01107-06208	G-3 H-12 I-4	01517-08508 01517-08608 01517-08658	B-5 B-5 B-5	02112-06208	B-7 F-6 B-7	04221-07129 06211-04063 08110-69050	C-2 D-6 D-6	08316-16068 08316-16108	B-5 B-3 G-4	08321-21088	G-2 G-2 G-7
01107-06258	I-3	01517-08908	B-5	02112-06258	B-8	08113-63050	I-5	08319-21068	G-10		G-9
01107-06308	D-2	01517-10308	G-4	02112-06308	B-7	08123-63027	H-6		G-11		H-3
01107-06128	F-7	01517-10408	H-10	02112-06308	B-7	08133-62047	I-5	08319-21068	H-8	08321-21088	H-5
01107-08158	G-2 G-2 H-5 D-7	01527-10305 01707-06306 02111-04067 02111-05158	I-7 C-4 C-7 C-6	02112-06308	B-7 E-3 E-4 B-7	08153-62047 08211-16381 08211-20341 08211-22321	I-5 I-2 D-4 D-4	08319-21168 08321-21038	H-9 I-2 E-7 E-7		H-5 H-5 I-4 I-5 I-8
01107-08208	G-2 G-3 G-6 G-7 I-8	02112-03088 02112-03108 02112-03128 02112-03258	E-7 F-2 E-7 E-7	02112-06358 02112-06408	B-7 B-7 B-7	08211-30402 08221-10185 08310-11058	H-3 B-8 E-8	08321-21038	E-7 H-8 H-9	08321-21088 08321-21108	I-9 B-5 F-3
01107-08208	G-2	02112-03108	E-7	02112-06458	B-7	08310-11068	F-2	08321-21048	E-7		F-3
01107-08258	G-3	02112-03128	E-7	02112-06557	B-7		F-5		E-7		F-4
01107-08308	I-8	02112-03258	E-7								
01107-08308	I-9	02112-04088	H-2	02112-06708	B-7	08310-11068	F-6	08321-21048	E-7	08321-21108	F-4
01107-08358	C-10 G-2	02112-04128	E-7 E-8	02112-06858 02112-06958	B-7 B-7		G-2 G-3	08321-21058	E-8 C-7		G-3 G-4
01107-08508	H-2 H-4	02112-04168 02112-05068	E-7 E-3	02122-06128	D-6 D-6	08310-12088	I-4 C-5		C-8 C-10	08321-31088	H-2 H-4
01107-08558	H-4	02112-05068	E-4	02122-06168	B-6	08310-12088	C-6	08321-21058	D-7	08321-31108	H-4
01107-08608	I-5	02112-05088	G-8		D-4		E-8		G-8	08322-11068	G-10
01107-08658	E-5	02112-05108	C-9		C-9		H-2		G-8		G-11
01107-10358	G-2 G-4	02112-05128	C-10 C-5	02132-03065	G-6 G-7		I-4 I-5	08321-21068	C-9 E-2	08322-11088	C-5 F-7
01107-10558	H-4	02112-05128	C-5	02132-05127	B-2	08310-12088	I-8	08321-21068	F-5	08322-11088	G-2
01107-10608	B-5	02142-05167	C-7	02142-05167	F-2		I-9		F-6		G-4
01204-08357	H-3	02142-06207	C-9	02142-06207	I-4	08310-12108	F-3		F-7		G-9
01421-06258	B-8	02152-06408	D-7	02152-06408	B-2		F-3		G-9		I-5
01421-06358	B-5	03211-04208	F-2	03211-04208	F-3		F-4		G-9		I-8
01517-06207	D-2	02112-05165	H-9	03211-04208	F-3	08310-12108	F-4	08321-21068	G-10	08322-11088	I-9
01517-06208	B-2	02112-05168	C-8		F-4		I-6		G-10	08322-11108	B-5
01517-06258	B-6	02112-05308	B-7		F-4	08310-22048	E-7		G-11		I-1
	B-8	02112-06088	B-6		F-5	08310-22068	E-2		G-11		I-3
01517-06308	B-3	02112-06108	E-3	04111-20158	G-3		F-6		H-12	08322-11128	I-3
01517-06358	B-2	02112-06108	E-4	04111-20158	G-4	08310-22068	G-9	08321-21068	I-3	08322-11168	I-2
01517-06408	B-2		E-5		G-4	08310-22108	G-3		I-3	08322-21038	E-7
	B-5		F-6		G-4		H-7		I-4		E-7
01517-06558	B-3 B-5	02112-06128	B-8 C-8	04111-20208	H-7 I-2	08313-11068 08313-11085	B-8 H-4		I-4 I-8		E-7 H-8 H-9

GS1100EX

- 7 -

GS1100EX

- 8 -

AIR CLEANER C-9	CRANK COVER B-7	FOOTREST G-4	FRONT WHEEL H-6	HOUSING HEADLAMP H-5	REAR CALIPERS I-7	SEAT G-9	STEERING STEM H-3
BATTERY E-6	CRANKCASE B-5	FRAME G-2	FUEL COCK G-8	LEFT HANDLE SW. H-9	REAR COMBI. LAMP F-5	SEAT TAIL COVER G-10	TRANSMISSION D-4
CAM SHAFT C-5	CRANKSHAFT C-2	FRAME COVER G-12	FUEL TANK G-6	MASTER CYLINDER H-8	REAR FENDER G-14	SIGNAL GENERATOR E-5	TURN SIGNAL LAMP F-3
CAM SHAFT C-4	CYLINDER B-4	FRONT BRAKE HOSE H-12	GEAR SHIFTING D-6	MUFFLER C-10	REAR MASTER CYL I-9	SPEEDO/TACHO E-7	WIRING HARNESS F-7
CARBURETOR C-3	CYLINDER HEAD B-3	FRONT CALIPERS H-10	GENERATOR E-3	OIL PUMP B-8	REAR SWING ARM I-2	STAND G-3	
CHAIN CASE I-6	CYLINDER HEAD COVER B-2	FRONT FORK H-2	HANDLEBAR H-7	OPTIONAL I-11	REAR WHEEL C-3	STARTER CLUTCH I-5	
CLUTCH D-2	ELECTRICAL F-6	FRONT MASTER CYL H-11	HEADLAMP F-2	REAR BRAKE HOSE I-10	RIGHT HANDLE SW. H-8	STARTING MOTOR E-2	

Index
J4

GS1100ET: F.No.GS110X - 500001
GS1100EX: G071A 0210001*

PART NO.	FIG. NO. -REF. NO. (Address No.)	PART NO.	FIG. NO. -REF. NO. (Address No.)	PART NO.	FIG. NO. -REF. NO. (Address No.)	PART NO.	FIG. NO. -REF. NO. (Address No.)	PART NO.	FIG. NO. -REF. NO. (Address No.)		
08322-21048	E-7	09103-08020	B-5	09160-08032	I-4	09169-06016	G-10	09261-15001	C-3	09320-08013	F-6
	E-7	09103-08039	B-5	09160-10001	I-3		G-10	09262-20041	D-5		I-4
	E-8	09104-08006	I-5	09160-10005	B-5		G-11	09262-20044	D-4		I-4
08322-21058	B-7	09104-10002	I-3	09160-10006	F-3		G-11	09262-25051	D-4	09320-08018	G-12
	C-9	09104-10009	G-4		F-3	09169-08016	H-6		D-5		G-13
08322-21058	C-9	09106-05006	B-3	09160-10006	F-4	09169-08016	I-5	09262-30033	C-2	09320-09010	F-5
	C-10	09106-06005	G-9		F-4	09169-10007	I-6	09263-12014	D-2	09320-12010	G-7
	D-7	09106-06024	C-4	09160-10033	I-3	09169-28001	D-4	09263-15003	D-2	09320-12011	I-4
08322-21068	B-8		C-4	09160-10039	B-3	09180-05012	F-2	09263-15012	D-2	09320-12013	G-6
	C-4	09106-08006	C-2	09160-10057	G-4	09180-06006	F-5	09263-20018	D-4	09320-12017	G-6
08322-21068	C-9	09106-08006	C-3	09160-10058	G-4	09180-06011	I-4	09263-25024	I-2	09320-12023	G-7
	E-5	09108-10027	B-4	09160-12012	I-3	09180-06038	E-6	09263-25029	C-3	09320-15002	F-3
	E-8	09108-10028	B-4	09160-12020	D-6		I-4	09263-31004	C-2		F-3
	E-8	09108-10030	B-4	09160-13003	C-3	09180-36088	D-2	09263-36002	D-2		F-4
	F-6	09111-10011	I-2	09160-15002	H-6	09180-07005	F-6	09263-43001	D-6		F-4
08322-21068	F-7	09119-10002	I-6	09160-15015	D-2	09180-08021	I-4	09263-51001	D-2	09321-08006	G-9
	G-3	09125-03105	H-8	09160-19008	I-5	09180-08067	G-6	09264-22005	C-2	09321-10001	G-3
	G-9		H-9	09160-25019	C-3		G-7	09265-25008	H-4	09329-01005	G-6
	I-3	09125-05024	E-5	09160-25022	D-2	09180-10040	G-3	09265-30005	H-3		G-7
	I-8	09128-05101	B-2	09160-25023	D-2	09180-12068	D-6	09280-03003	B-5	09329-10007	G-6
08322-21088	H-2	09128-06013	I-10	09160-31002	C-2	09180-20054	I-5	09280-06003	C-5	09329-10007	G-7
	H-4	09128-06024	C-5	09160-31003	C-2	09180-20060	I-5	09280-13001	B-6	09343-05165	G-8
	H-4		E-2	09161-10005	H-12	09180-20062	I-5		B-8	09343-07026	G-8
08322-21108	H-4		G-8		H-12	09180-25052	D-5	09280-17002	B-3		G-8
08322-21128	H-6	09140-24004	D-2		H-12	09200-06010	G-4	09280-19001	B-6	09343-11001	C-9
08331-11258	D-6	09148-03002	G-12	09161-10005	I-10	09200-06010	G-4	09280-24001	E-2	09360-10007	H-12
08331-11289	D-4		G-13		I-10	09200-06011	H-7	09280-25001	D-5		H-12
	D-4	09159-06017	C-5	09164-00003	D-2	09200-06029	G-3	09280-32005	B-7		I-10
	D-4	09159-10011	B-5	09164-20004	D-4	09200-08002	G-4	09280-36001	D-7		I-10
08331-11308	C-2	09159-10020	B-5	09167-25007	D-2	09206-08001	B-2	09280-74002	B-4	09360-10008	H-12
08331-21429	D-6	09159-10026	B-3	09167-25014	D-5	09206-08001	B-3	09283-30021	C-2	09364-05005	B-5
08331-31109	B-8	09159-10029	B-3	09167-28001	D-4	09206-13001	B-5	09283-32012	D-5	09381-10004	B-3
08332-11128	D-2	09159-20001	D-5	09167-28002	D-4		B-7	09285-12002	D-2	09381-18002	C-2
09100-06093	C-4	09160-05013	F-2	09168-05010	B-3	09206-13003	C-3		D-6	09384-12001	D-6
09100-08067	H-5	09160-05027	E-5	09168-06005	C-10	09206-13006	B-4	09285-33001	I-5	09385-10001	G-3
09100-08094	I-5	09160-06007	F-6	09168-06009	B-2	09209-05011	D-7	09289-05002	B-2	09390-47003	D-4
09100-08140	H-6		G-2	09241-23002	B-6	09241-23002	B-3	09289-05003	C-4		D-5
09100-10067	G-3		I-3	09168-06010	G-8	09241-47004	D-4	09289-48002	C-2	09390-62006	D-4
09100-10078	B-5	09160-06012	I-4	09168-08011	F-2	09247-14001	B-8	09300-22005	D-4		D-5
09100-10140	B-5	09160-06020	D-2	09168-10017	B-3	09247-14012	B-3	09301-28001	D-4	09390-62008	D-5
09101-10010	B-5	09160-06020	E-6	09168-14004	B-3	09247-14012	B-6	09301-28001	D-4	09390-72004	C-2
09101-10017	I-2	09160-06060	F-5		B-6	09247-14013	B-6	09319-10008	G-4	09400-16301	I-8
09101-10018	G-3	09160-08002	E-8		B-8	09259-30001	B-7		I-2		I-9
09103-06026	B-3		G-6		D-6	09261-04009	B-8	09320-08007	E-6	09401-08402	G-8
09103-08009	B-5		G-7	09168-14009	B-6	09261-05003	D-6		I-4	09401-10403	G-8

GS1100EX

- 9 -

GS1100EX

- 10 -

AIR CLEANER	C-9	CRANK COVER	B-7	FOOTREST	G-4	FRONT WHEEL	H-6	HOUSING HEADLAMP	H-5	REAR CALIPERS	I-7	SEAT	G-9	STEERING STEM	H-3
BATTERY	E-2	CRANKCASE	B-5	FRAME	G-2	FUEL COCK	G-8	LEFT HANDLE SW.	H-9	REAR COMBI. LAMP	F-5	SEAT TAIL COVER	G-10	TRANSMISSION	H-4
CAM CHAIN	C-5	CRANKSHAFT	C-2	FRAME COVER	C-12	FUEL TANK	G-6	MASTER CYLINDER	I-8	REAR FENDER	I-4	SIGNAL GENERATOR	E-5	TURN SIGNAL LAMP	I-3
CAM SHAFT	C-4	CYLINDER	B-4	FRONT BRAKE HOSE	H-12	GEAR SHIFTING	D-6	MUFFLER	C-10	REAR MASTER CYL.	I-9	SPEEDO/TACHO.	E-7	WIRING HARNESS	I-7
CARBURETOR	C-5	CYLINDER HEAD	B-3	FRONT CALIPERS	H-10	GENERATOR	E-3	OIL PUMP	B-8	REAR SWING ARM	I-2	STAND	G-3		
CHAIN CASE	I-3	CYLINDER HEAD COVER	B-2	FRONT FORK	H-2	HANDLEBAR	H-7	OPTIONAL	I-11	REAR WHEEL	I-5	STARTER CLUTCH	C-3		
CLUTCH	D-2	ELECTRICAL	F-6	FRONT MASTER CYL.	H-11	HEADLAMP	F-2	REAR BRAKE HOSE	I-10	RIGHT HANDLE SW.	H-8	STARTING MOTOR	E-2		

GS1100ET, F.No.GS110X - 500001;
GS1100EX, GUTIA B210001tIndex
J5

PART NO.	FIG.NO.-REF.NO. (Address No.)	PART NO.	FIG.NO.-REF.NO. (Address No.)	PART NO.	FIG.NO.-REF.NO. (Address No.)
----------	----------------------------------	----------	----------------------------------	----------	----------------------------------

09401-14301	C-1	09471-12060	F-2
	C-2	09471-12074	E-7
09402-51601	I-3	09481-10001	F-6
09402-52306	B-3	09481-15001	F-6
09402-62306	C-9	09482-00144	B-3
09402-70306	C-9	09482-00145	B-3
09403-09303	E-6	09491-21014	C-7
09404-06401	E-5	09492-45015	C-7
	E-6	09493-32002	C-8
	F-7	09494-00267	C-7
09404-06403	H-7	09800-00812	G-2
09404-06414	F-7	09826-00001	I-11
09404-08401	E-5		
09407-12402	F-7		
	H-8		
09407-12402	H-9		
09407-18301	E-5		
	F-7		
09440-04003	D-6		
09440-04010	D-7		
09440-04015	C-3		
09440-06018	D-6		
09440-12017	C-5		
09440-13014	C-4		
09440-13017	G-8		
09440-19007	D-2		
09440-32004	B-8		
09443-06011	F-7		
09443-06030	F-7		
09443-08019	D-6		
09443-14013	G-3		
09443-17005	G-3		
09443-17008	G-3		
09443-20001	G-3		
09444-26017	D-6		
09448-14012	G-4		
09462-00072	G-2		
09471-12001	E-7		
	E-7		
09471-12006	F-3		
09471-12006	F-3		
	F-4		
09471-12035	F-4		
	F-5		
09471-12037	F-5		

GS1100EX

-11-

AIR CLEANER	C-3	CRANK COVER	B-7	FOOTREST	G-4	FRONT WHEEL	H-5	HOUSING HEADLAMP	H-5	REAR CALIPERS	I-7	SEAT	G-9	STEERING STEM	H-3
BATTERY	E-6	CRANKCASE	B-5	FRAME	G-2	FUEL COCK	G-8	LEFT HANDLE SW	H-9	REAR COMBI LAMP	F-5	SEAT TAIL COVER	G-10	TRANSMISSION	D-4
CAM CHAIN	C-5	CRANKSHAFT	C-2	FRAME COVER	G-12	FUEL TANK	G-6	MASTER CYLINDER	I-8	REAR FENDER	I-4	SIGNAL GENERATOR	E-5	TURN SIGNAL LAMP	F-8
CAM SHAFT	C-4	CYLINDER	B-4	FRONT BRAKE HOSE	H-12	GEAR SHIFTING	D-6	MUFFLER	C-10	REAR MASTER CYL	I-9	SPEEDO/TACHO	E-7	WIRING HARNESS	F-7
CARBURETOR	C-5	CYLINDER HEAD	B-3	FRONT CALIPERS	H-10	GENERATOR	E-3	OIL PUMP	B-8	REAR SWING ARM	I-2	STAND	G-3		
CHAIN CASE	I-3	CYLINDER HEAD COVER	B-2	FRONT FORK	H-2	HANDLEBAR	H-7	OPTIONAL	I-11	REAR WHEEL	I-5	STARTER CLUTCH	C-3		
CLUTCH	D-2	ELECTRICAL	F-6	FRONT MASTER CYL	H-11	HEADLAMP	F-2	REAR BRAKE HOSE	I-10	RIGHT HANDLE SW	H-8	STARTING MOTOR	E-2		

GS1100ET: F.No.GS110X - 500001
GS1100EX: GU71A B210001a

Index
J6