

MIKUNI

RS Series Radial Flat Slide Carburetors

Applications & Parts Lists

CARBURETOR APPLICATIONS

MIKUNI RS SERIES

STANDARD TUNING SPECIFICATIONS

MIKUNI KIT NUMBER	APPLICATION *(GENERAL)	ENGINE MODIFICATIONS (TYPICAL)	CARB SPACING (Throttle Shaft No. A-B-C)	SPIGOT (O.D.) MM	MAIN JET (N100.604)	JET NEEDLE (J8- (CLIP POS.))	NEEDLE JET #568 (784-13002)	PILOT JET (VM28/486)	PILOT SCREW (TURNS)
RS34-D31-K	YAM FZ 600 ALL	[1]-[2]	70-80-70 (700-17013)	38	115	9DZH1 (-3)	P-4	17.5	1/4-1/2
RS34-D26-K	YAM FJ 600 ALL KAW NINJA 600 KAW NINJA 750 87-88	[1]-[2] [1]-[2] [1]-[2]	70-89-70 (700-17013)	40	115 115 115	9DZH1 (-3)	P-4	17.5	1/4-1/2
RS34-D21-K	GSX-600 88 GSX-R 750 ALL SUZ GS 750 ALL KAW KZ 750 ALL	[1]-[2] [1]-[2] [1]-[2] [1]-[2]	77-93-77 (700-17011)	42	115 115 115 115	9DZH1 (-3)	P-4	17.5	1/4-1/2
RS36-D8-K	KAW NINJA 900 ALL KAW NINJA 1000 86-87 YAM FJ 1100 ALL YAM FJ 1200 ALL	[1]-[3] [1]-[3] [1]-[2] [1]-[2]	77-85-77 (700-17011)	42	130 130 130 130	9DZH1 (-3)	P-4	17.5	1/4-1/2
RS36-D3-K	GSX-600 88 GSX-R 750 GSX-R1100, GS 1000-1150 KZ 1000-1100	[3]-[7] [1]-[6] [1]-[2] [1]-[2]	77-93-77 (700-17011)	42	120 120 130 130	9DZH1 (-3)	P-4	17.5	1/4-1/2
RS38-D35-K	NINJA 900 NINJA 1000 FJ 1100-1200	[1]-[7] [1]-[7] [1]-[7]	77-85-77 (700-17011)	42	135 135 135	9CHY3 (-2)	Y-6	17.5	1/4-1/2
RS38-D19-K	GSX-R 750 GSX-R1100, GS 1000-1150 KZ 1000-1100	[7] [1]-[7] [1]-[7]	77-93-77 (700-17011)	42	135 135 135	9CHY3 (-2)	Y-6	17.5	1/4-1/2
RS40-D12-K	NINJA, FJ RACE	[7]	77-85-77 (700-17011)	44	140	9CHY3 (-3)	Y-6	17.5	1/4-1/2
RS40-D1-K	GSX-R, GS, KZ RACE	[7]	77-93-77 (700-17011)	44	140	9CHY3 (-3)	Y-6	17.5	1/4-1/2

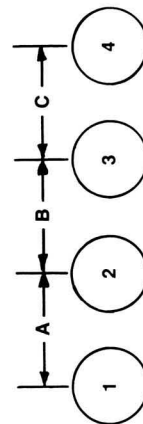
KIT PREFIX NUMBER DENOTES CARB VENTURI SIZE IN MILLIMETERS. EG: RS36 = 36MM BORE.

*NOTE: THESE ARE GUIDELINES ONLY, OTHER APPLICATIONS MAY BE AVAILABLE. CONTACT YOUR MIKUNI DISTRIBUTOR. SPECIFICATIONS ARE SUBJECT TO CHANGE.

MODIFICATIONS:

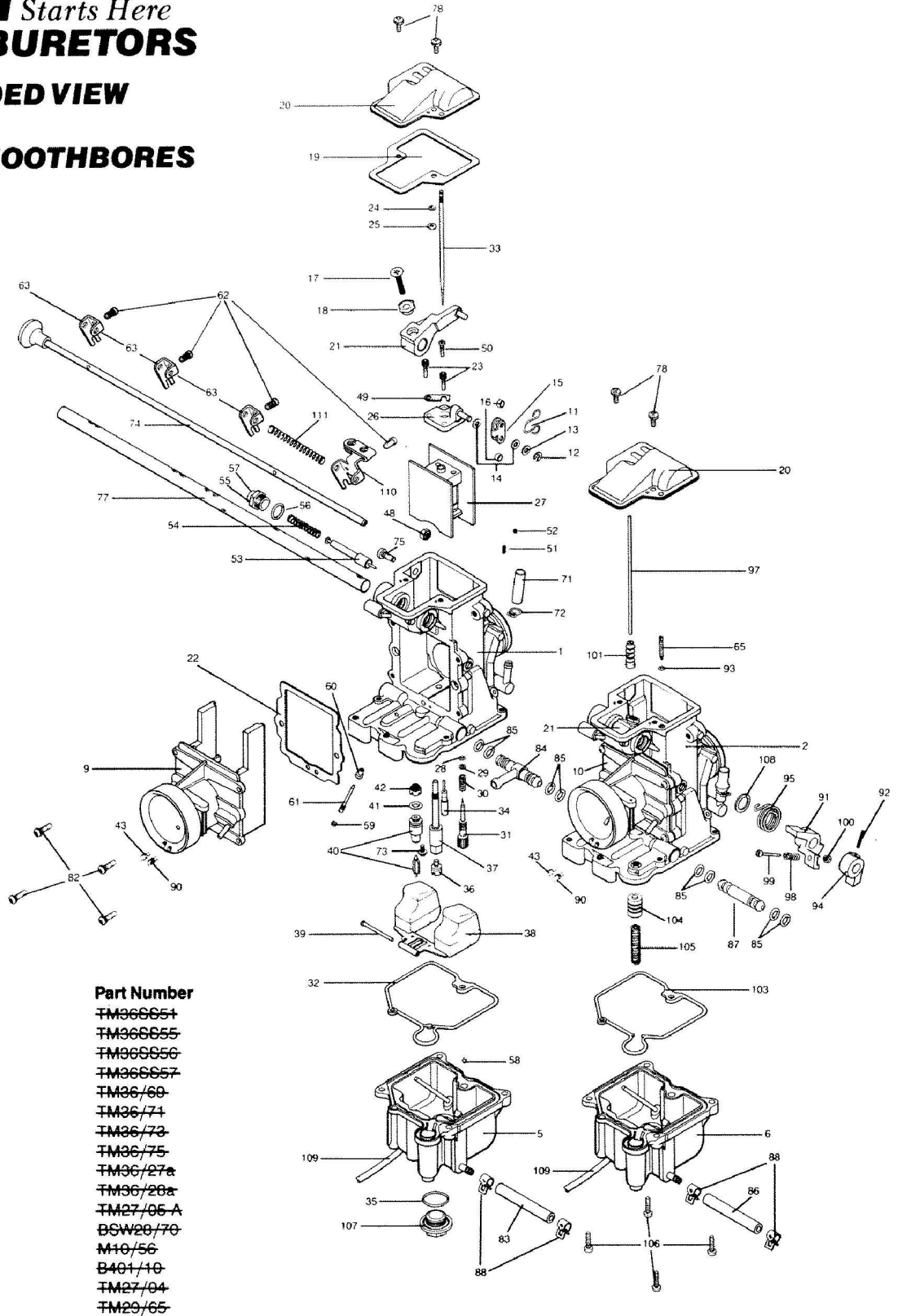
- [1] AFTERMARKET EXHAUST
- [2] AFTERMARKET FILTER/NO AIRBOX
- [3] INCREASE "CC" CAPACITY
- [4] VALVES AND HEAD WORK
- [5] INCREASE COMPRESSION
- [6] IGNITION HI-REV
- [7] COMPLETE RACE ENGINE

CARBURETOR SPACING: (mm)



MIKUNI Performance Starts Here RACING CARBURETORS

TYPICAL EXPLODED VIEW RS-34-36-38-40 RADIAL SLIDE SMOOTHBORES



No. Description

- 1 MIXING BODY
- 2 MIXING BODY
- 3 MIXING BODY
- 4 MIXING BODY
- 5 FLOAT CHAMBER BODY
- 6 FLOAT CHAMBER BODY
- 7 FLOAT CHAMBER BODY
- 8 FLOAT CHAMBER BODY
- 9 FUNNEL
- 10 FUNNEL
- 11 CLIP, T.V. LEVER
- 12 E-RING, T.V. LEVER
- 13 WASHER, T.V. LEVER
- 14 PACKING, T.V. LEVER
- 15 PLATE, T.V. LEVER
- 16 RING, T.V. LEVER

Part Number

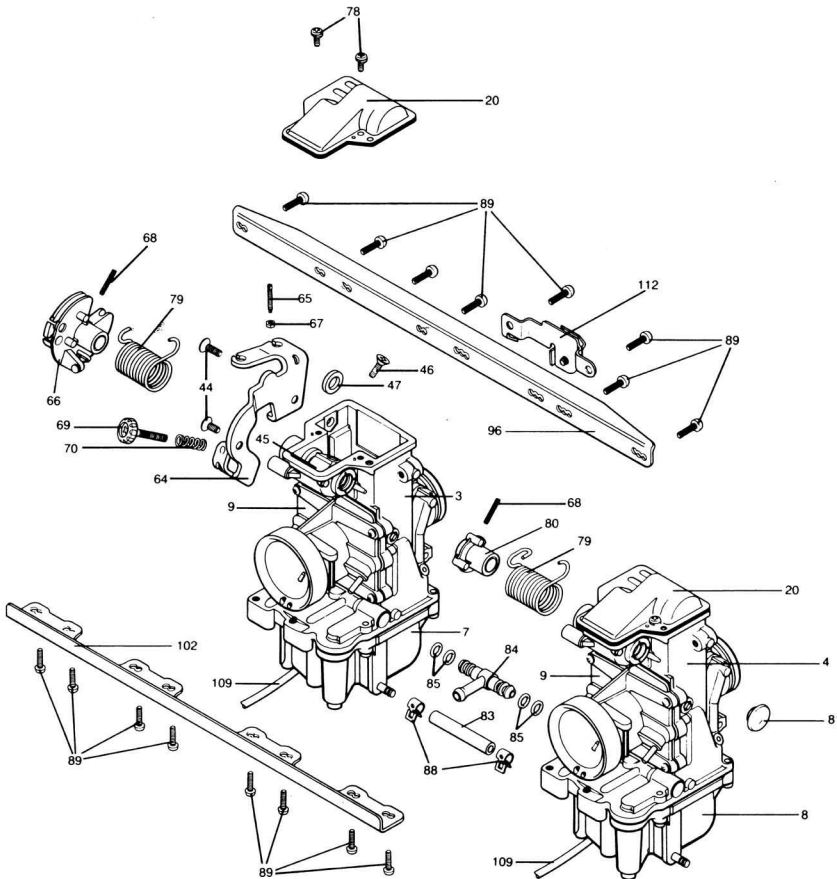
- FM366651
- FM366655
- FM366656
- FM366657
- FM36/68
- FM36/71
- FM36/73
- FM36/75
- FM36/27a
- FM36/28a
- FM27/06-A
- BSW20/70
- M40/56
- B401/10
- FM27/04
- FM29/65

NEW MIKUNI RS SERIES

Legal in California ONLY for racing vehicles which may NEVER be used upon a highway.

No.	Description	Part Number
17	SCREW, SYNCH. LOCK	C5=0518
18	RING, SYNCH. ADJUST	TM36/06
19	GASKET, TOP COVER	TM36/39
20	TOP COVER, CARB.	TM36/50
21	LEVER ASSY, T.V. #1-2-4	TM36/51
22	GASKET, A/FUNNEL	TM36/42a
23	SCREW, 2.5 mm ALLEN	739-13001
24A	E-RING, RS 32-34-36 NDLE	VM20/369
24B	E-RING, RS 38-40 NDLE	BS32/126
25	WASHER, NEEDLE CLIP	VM26/315
26	CONNECTOR PLATE, T.V.	TM36/54
27A	VALVE, THROTTLE 32-34-36	832-42004
27B	VALVE, THROTTLE 38-40	832-42004-01
28	O-RING, FUEL SCREW	NI33.037
29	WASHER, FUEL SCREW	VM12/33
30	SPRING, FUEL SCREW	NI33.206
31	SCREW, PILOT FUEL	604-26003
32	O-RING, F.C.B. #1-3-4	616-94020
33A	JET NEEDLE RS36 BEFORE 12/87	J8-9CHY01
33B	JET NEEDLE RS32-34-36	J8-9DZH01
33C	JET NEEDLE RS38-40	J8-9CHY03
34	PILOT JET	VM28/486
35	O-RING, DRAIN PLUG	VM28/254
36	MAIN JET	NI00.-604
37	NEEDLE JET-568	784-13002
38	FLOAT ASSY	859-32044

No.	Description	Part Number
39	PIN, FLOAT	VM30/160
40	NEEDLE VALVE ASSY	NI49.040
41	O-RING, NEEDLE VALVE	KV/10
42	FILTER, NEEDLE VALVE	VM18/233
43	MAIN AIR JET (PLUGGED)	B5/30/97
44	SCREW, CRANK BRACKET	C5=0512
45	LEVER ASSY, T.V. #3 CARB	TM36/57
46	SCREW, LEVER LOCK	C5-0514
47	PACKING, SHAFT	VM20/174
48	HEXAGON, LOCK NUT	VM18/267
49	PLATE, NEEDLE RETAINER	TM36/12
50	SCREW, T.V. PLATE	C2-0910
51	SPRING, STARTER SHAFT	B21/29
52	BALL, STARTER SHAFT	B21/28
53	PLUNGER, STARTER	NI51-000
54	SPRING, STARTER	VM16/42
55	GUIDE HOLDER, STARTER	640-12002
56	O-RING, STARTER	N138.198
57	CAP, STARTER	NI06-211
58	STARTER JET	VM17/1002
59	O-RING, A/P NOZZLE	N124.063
60	PLUG, A/P NOZZLE	TM29/14
61	PUMP NOZZLE	TM36/43
62	SCREW, START BRACKET	N158.052
63	LEVER, STARTER SHAFT	NI78-666
64	BRACKET, BELL CRANK	TM36/97d
65	ADJUST SCREW, A/P	TM36/48A
66	LEVER ASSY, BELL CRANK	TM36/34
67	HEXAGON NUT, A/P	N2-0919
68	PIN, THROTTLE BELL CRANK	N138.019
69	ADJUSTER, IDLE	790-55000
70	SPRING, IDLE ADJUSTER	N110.209
71	CAP, VACUUM FITTING	N148.013
72	SPRING CLIP, VAC. FIT	BVK28/128
73	SCREW, NV HOLDER	VM13/216
74	SHAFT ASSY, STARTER	TM36/34a
75	PAN HEAD MACHINE SCREW	C2=0508-B
76	FLAT HEAD MACHINE SCREW	C5-0514
77A	SHAFT, THROTTLE B/C #3	700-17011
77B	SHAFT, THROTTLE B/C #1	700-17012
77C	SHAFT, THROTTLE B/C #3	700-17013
78	SCREW, TOP COVER	CW2=0408
79	SPRING, THRTL. RTRN.	TM36/46a
80	LEVER, RTN. SPRING	TM36/39
81	CAP, SHAFT END	TM36/63-A
82	SCREW, AIR FUNNEL	VM30/130
83	HOSE, FUEL CONNECT	888-44000
84	INLET, FUEL "T"	791-23010
85	O-RING, FUEL JOINT	616-23002
86	HOSE, A/P FUEL	888-44004
87	JOINT, FUEL	792-20014
88	CLIP, FUEL HOSE	E100729-BB
89	SCREW, BRACKET	C2=0512-B
90	PILOT AIR JET	BS30/97-0.8
91	LEVER, A/PUMP	TM36/47
92	PIN, A/P LOCATE	BN30/43
93	O-RING, A/P ADJ.	B30-205
94	LEVER, A/PUMP	TM36/48
95	SPRING, A/PUMP	TM36/45
96	PLATE, TOP BRACKET	TM36/95
97	ROD, A/PUMP	TM36/44
98	SPRING, A/P ADJ.	M12F/46A
99	SCREW, A/P ADJ.	MC-0316-B
100	HEXAGON NUT, A/P ADJ.	N3=03-B
101	CAP, A/P RUBBER	TM36/64
102	PLATE, LOWER BRACKET	TM36/36
103	O-RING, F.C.B. A/P	616-94021
104A	PLUNGER, A/PUMP 8mm	TM36/60
104B	PLUNGER, A/PUMP 12mm	TM36/60a
105	SPRING, A/P 12mm	VM14SC13/89
106	SCREW, FLOAT BOWL	C2=0412-B
107	PLUG, DRAIN	VM33/77
108	RING, A/P SPRING	E204-040
109	HOSE	888-23020a
110	LEVER, STARTER CABLE	TM36/63
111	SPRING, STARTER BRACKET	730-06027
112	BRACKET, STARTER CABLE	TM36/61



PART NUMBER (000-000) = NO AVAILABLE STOCK

RS Series Tuning Component Guide

All Mikuni RS Series Carburetor Kits are designed to be a bolt-on application, and as such, are set up and jetted properly as sold for your particular motorcycle application. Carburetor Kits are jetted and tuned for use on a stock production model motorcycle or a production model motorcycle with bolt-on modifications like a tuned exhaust system, and with the stock airbox removed and the carburetors using less restrictive individual clamp-on air filters.

Major engine modifications like higher compression pistons and racing camshafts may require minor tuning adjustments to your RS Series Carburetors. But for most applications the advanced design of these carburetors and their unmatched sensitivity to supply an engine's fuel mixture requirements throughout a wide range of modifications allow these carburetors to come jetted correctly for most applications.

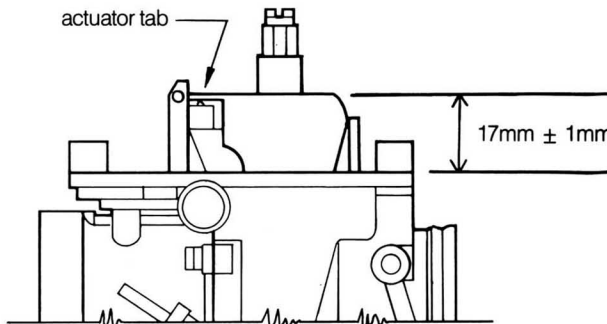
Before attempting any jetting changes which you feel are needed, first refer to the carburetor specification chart in this manual and check if your carburetors are equipped with the recommended jetting for your particular RS Series Carburetor and motorcycle applications.

The accompanying diagram shows which jetting circuits in the RS Series Carburetors are the principal operating circuits for a specific amount of opening of the throttle slide. The jetting circuit being affected is determined by the throttle slide opening...and not by engine RPM.

FUEL METERING CIRCUITS:

- **Closed Throttle:** *Choke/Starter System* Fuel mixture enrichment system for cold starting. Pull lever OUT for cold starting, push lever IN as engine warms up.
- **Closed Throttle to $\frac{1}{8}$ Throttle:** Idle circuit consisting of the *Pilot Jet*, *Pilot Fuel Screw* and *Pilot Air Jet*. *Idle Adjustment Screw* raises or lowers throttle slide height to control engine idle speed. *Pilot Fuel Screw* meters fuel with standard setting $\frac{1}{8}$ to $\frac{1}{2}$ turn out maximum.
- **$\frac{1}{8}$ to $\frac{3}{4}$ Throttle:** Fuel metering components in this range are the *Needle Jet* and the *Jet Needle*. Raising the circlip at the top of the needle lowers the needle into the needle jet, making the mixture leaner. Lowering the clip and raising the needle makes the mixture richer.
- **$\frac{3}{4}$ to Full Open Throttle:** *Main Jet*. The larger the jet number, the richer the jet.
- **Throttle Response.** Controlled by the accelerator pump system. Use adjustment screws to set operation beginning at $\frac{1}{4}$ Throttle and end operation at $\frac{3}{4}$ Throttle. The accelerator pump system should not be in operation when jetting changes are being made (see Installation Instructions).

Any testing for carburetion jetting or adjustments to the idle circuit should be done with the engine at normal operating temperature.



FLOAT LEVEL ADJUSTMENT:

Invert carburetors and remove float bowls. Float Assembly's actuator tab should just begin contact with Needle Valve Assembly when bottom of Float Assembly is 17mm from carburetor bottom as shown. Make required adjustments by bending actuator tab.

THROTTLE SLIDE POSITION:

The carburetor's tuning components functional range.

